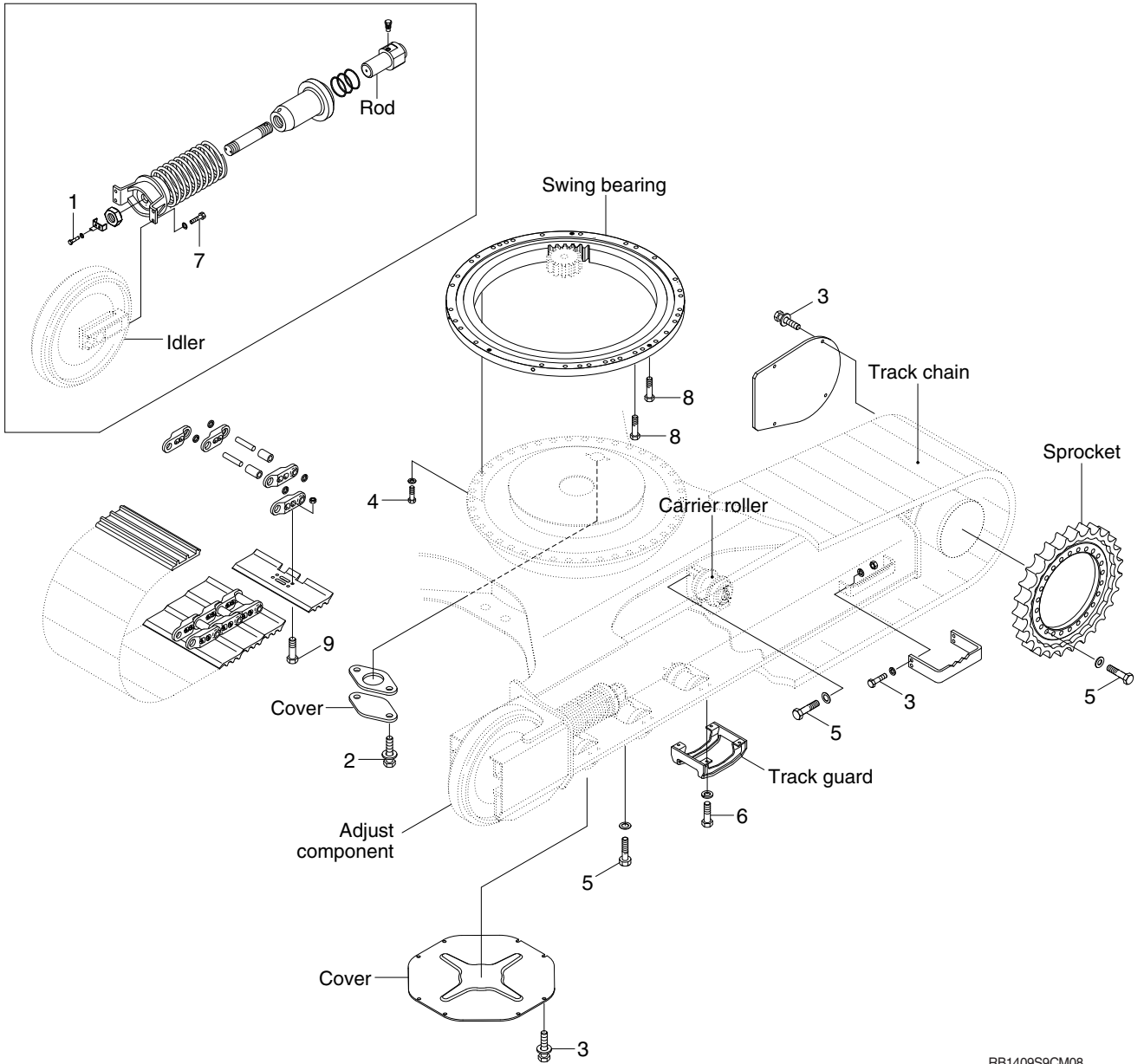


GROUP 5 UNDERCARRIAGE

ADJUST COMPONENT



RB1409S9CM08

• Tightening torque

Item	Size	kgf · m	lbf · ft
1	M 8×1.25	3.43±0.7	24.8±5.1
2	M10×1.5	6.9±1.4	49.9±10.1
3	M12×1.75	12.8±3.0	92.6±21.7
4	M16×1.5	31.5±3.2	226±23.1
5	M16×2.0	29.7±3.0	215±21.7

Item	Size	kgf · m	lbf · ft
6	M16×2.0	29.6±3.2	214±23.1
7	M16×2.0	29.7±4.5	215±32.5
8	M18×2.5	41.3±4.0	299±28.9
9	5/8"-18UNF	42±4.0	304±28.9