

## SECTION 5 MECHATRONICS SYSTEM

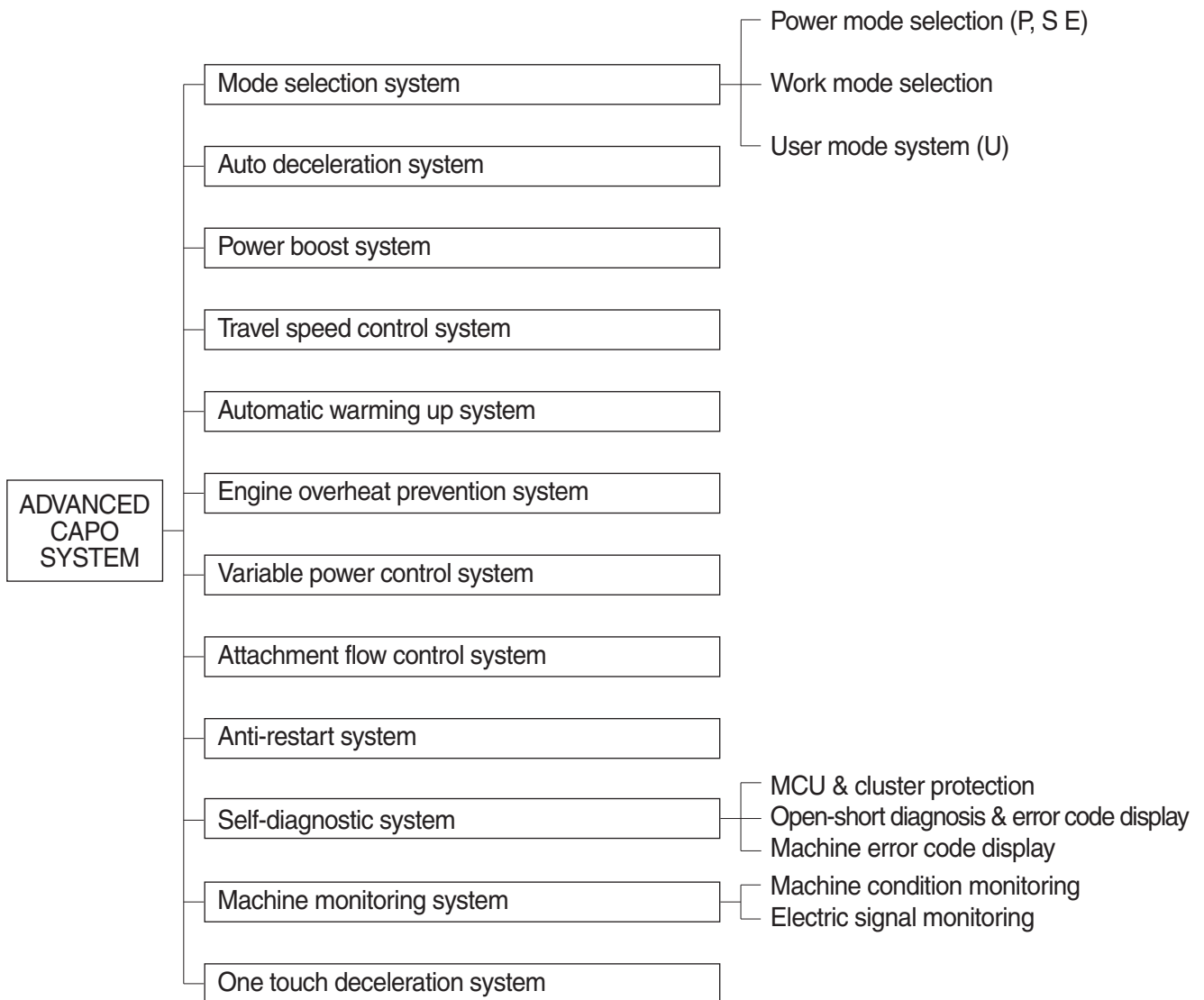
Group 1 Outline.....	5-1
Group 2 Mode Selection System .....	5-3
Group 3 Automatic Deceleration System .....	5-6
Group 4 Power Boost System .....	5-7
Group 5 Travel Speed Control System .....	5-8
Group 6 Automatic Warming Up System .....	5-9
Group 7 Engine Overheat Prevention System .....	5-10
Group 8 Variable Power Control System .....	5-11
Group 9 Attachment Flow Control System .....	5-12
Group 10 Anti-Restart System .....	5-13
Group 11 Self-Diagnostic System .....	5-14
Group 12 Engine Control System .....	5-18
Group 13 EPPR Valve .....	5-19
Group 14 Monitoring System .....	5-24
Group 15 Fuel Warmer System .....	5-47

# SECTION 5 MECHATRONICS SYSTEM

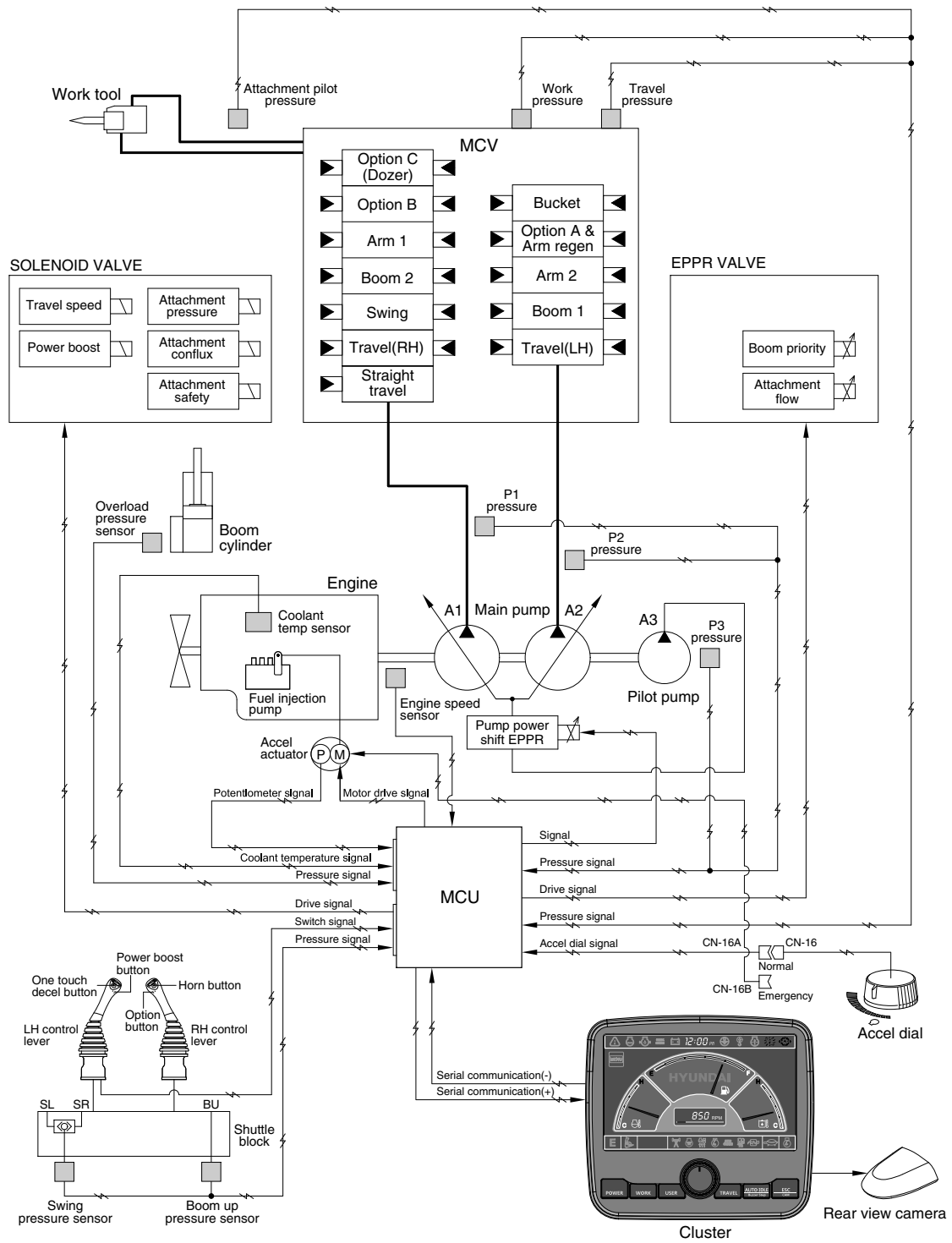
## GROUP 1 OUTLINE

The CAPO (Computer Aided Power Optimization) system controls engine and pump mutual power at an optimum and less fuel consuming state for the selected work by mode selection, auto-deceleration, power boost function, etc. It monitors machine conditions, for instance, engine speed, coolant temperature, hydraulic oil temperature, and hydraulic oil pressure, etc.

It consists of a MCU, a cluster, an accel actuator, EPPR valves, and other components. The MCU and the cluster protect themselves from over-current and high voltage input, and diagnose malfunctions caused by short or open circuit in electric system, and display error codes on the cluster.



# SYSTEM DIAGRAM



1609SB5MS01