

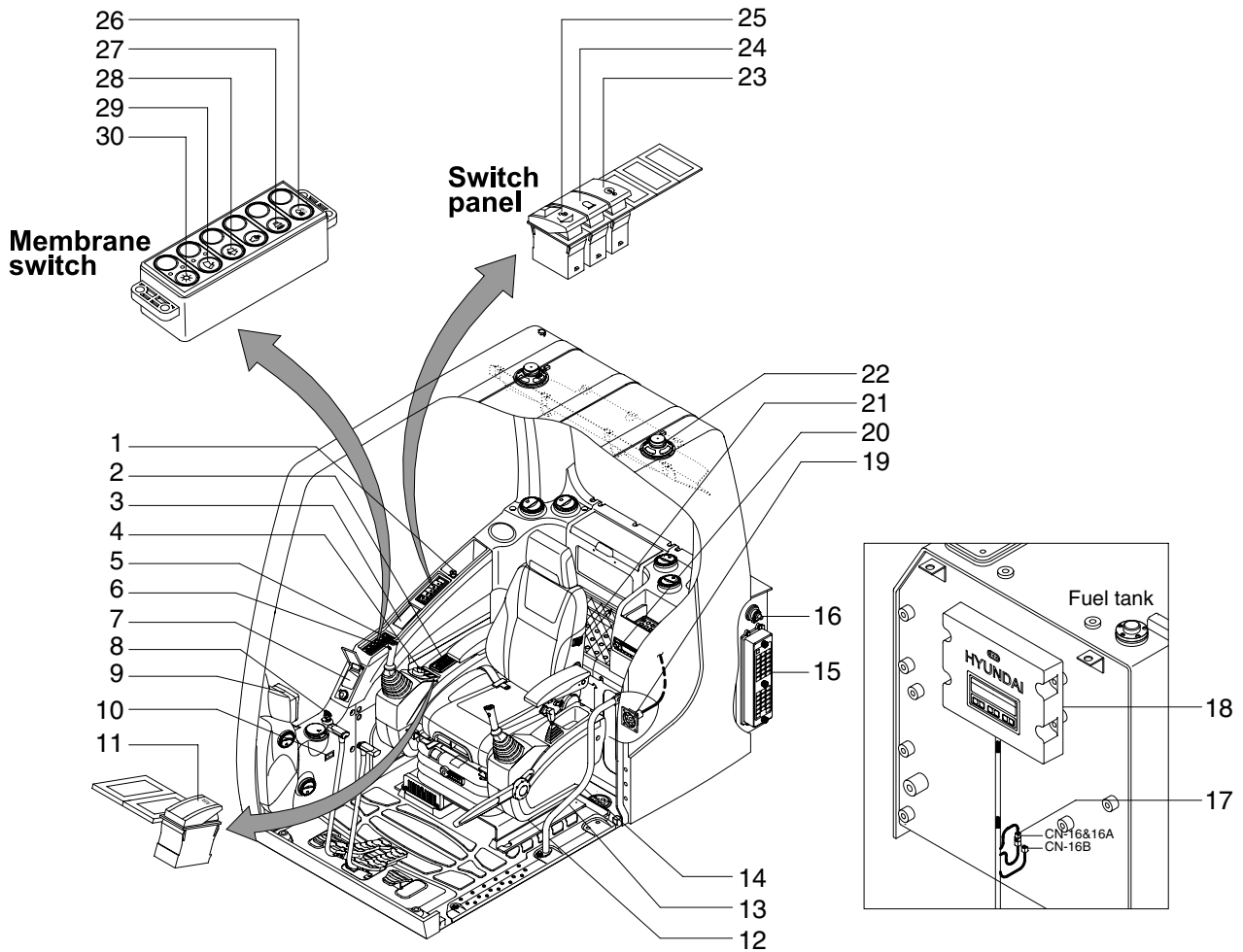
SECTION 4 ELECTRICAL SYSTEM

| | |
|--|------|
| Group 1 Component Location | 4-1 |
| Group 2 Electrical Circuit | 4-3 |
| Group 3 Electrical Component Specification | 4-21 |
| Group 4 Connectors | 4-29 |

SECTION 4 ELECTRICAL SYSTEM

GROUP 1 COMPONENT LOCATION

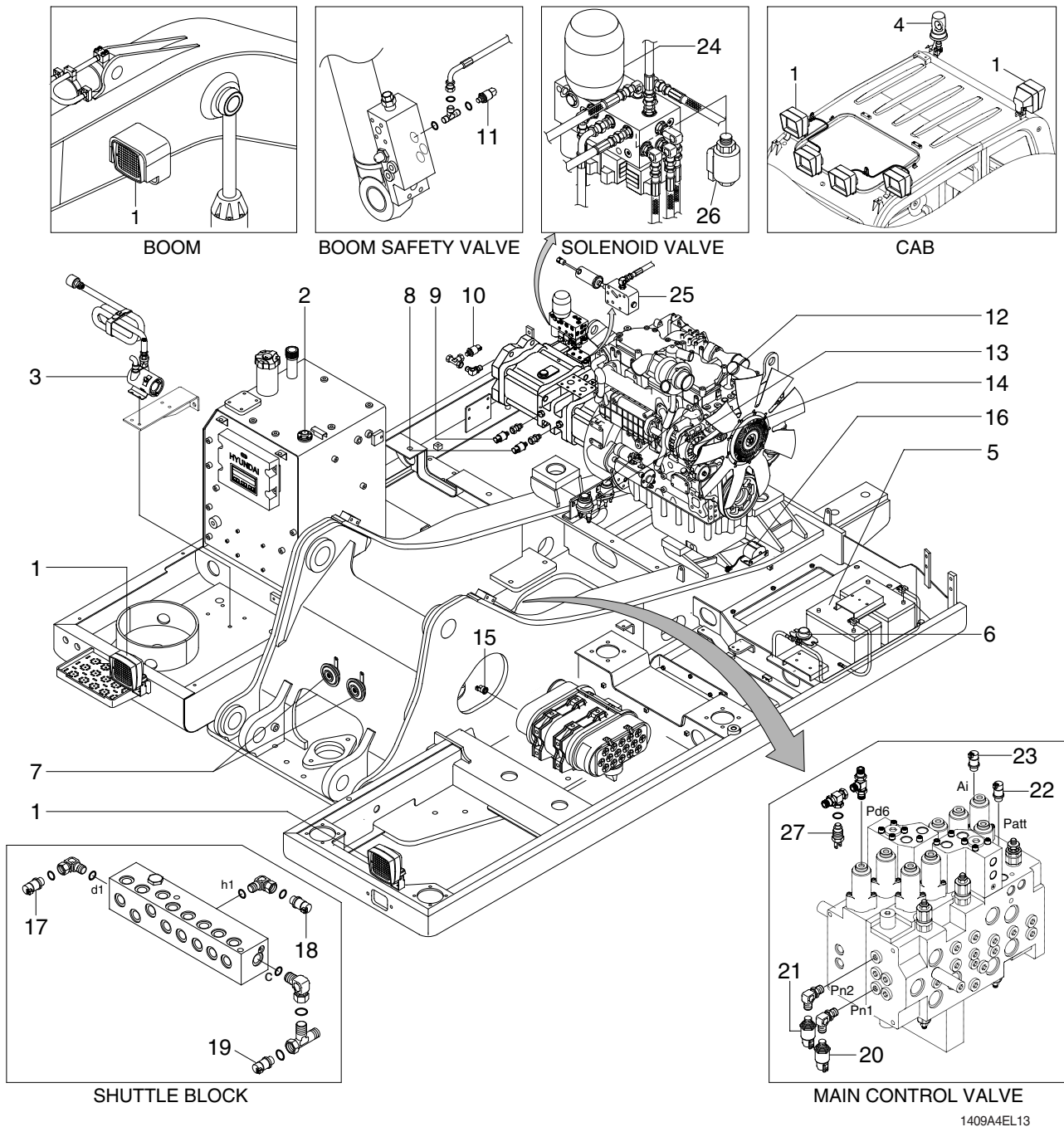
1. LOCATION 1



1409A4EL12

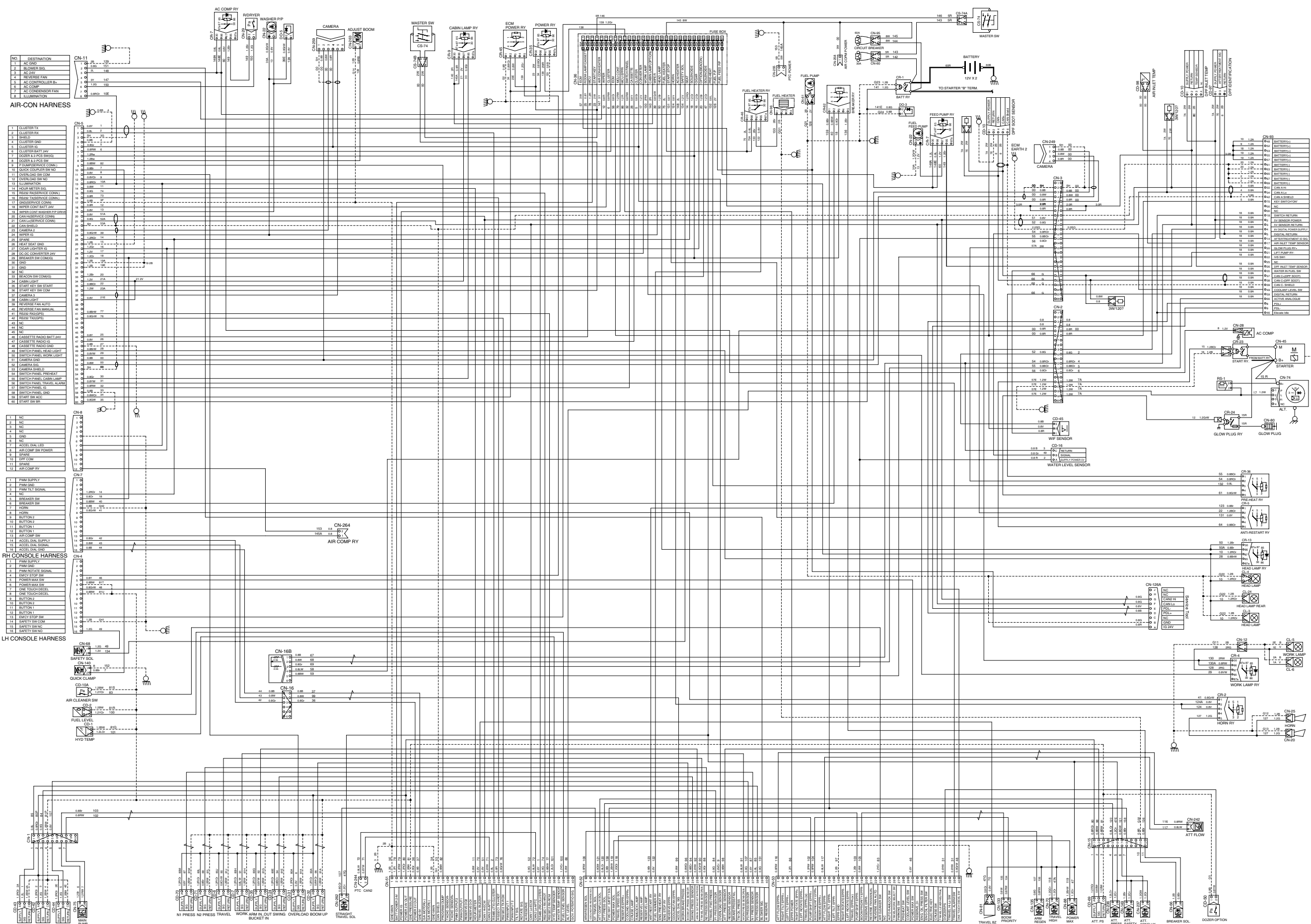
- | | | |
|----------------------------|---------------------------------|------------------------|
| 1 Cigar lighter | 11 Air compressor switch | 21 Heated seat switch |
| 2 Air conditioner switch | 12 Safety lever | 22 Speaker |
| 3 Remote controller | 13 Power max switch | 23 Overload switch |
| 4 Accel dial switch | 14 One touch decel switch | 24 Beacon switch |
| 5 Horn switch | 15 Emergency engine connector | 25 Quick clamp switch |
| 6 Breaker operation switch | 16 Fuse & relay box | 26 Cab light switch |
| 7 Handsfree | 17 Master switch | 27 Travel alarm switch |
| 8 Start switch | 18 Machine control unit | 28 Washer switch |
| 9 Cluster | 19 RS232 & J1939 service socket | 29 Wiper switch |
| 10 Hour meter | 20 Radio & USB player | 30 Main light switch |

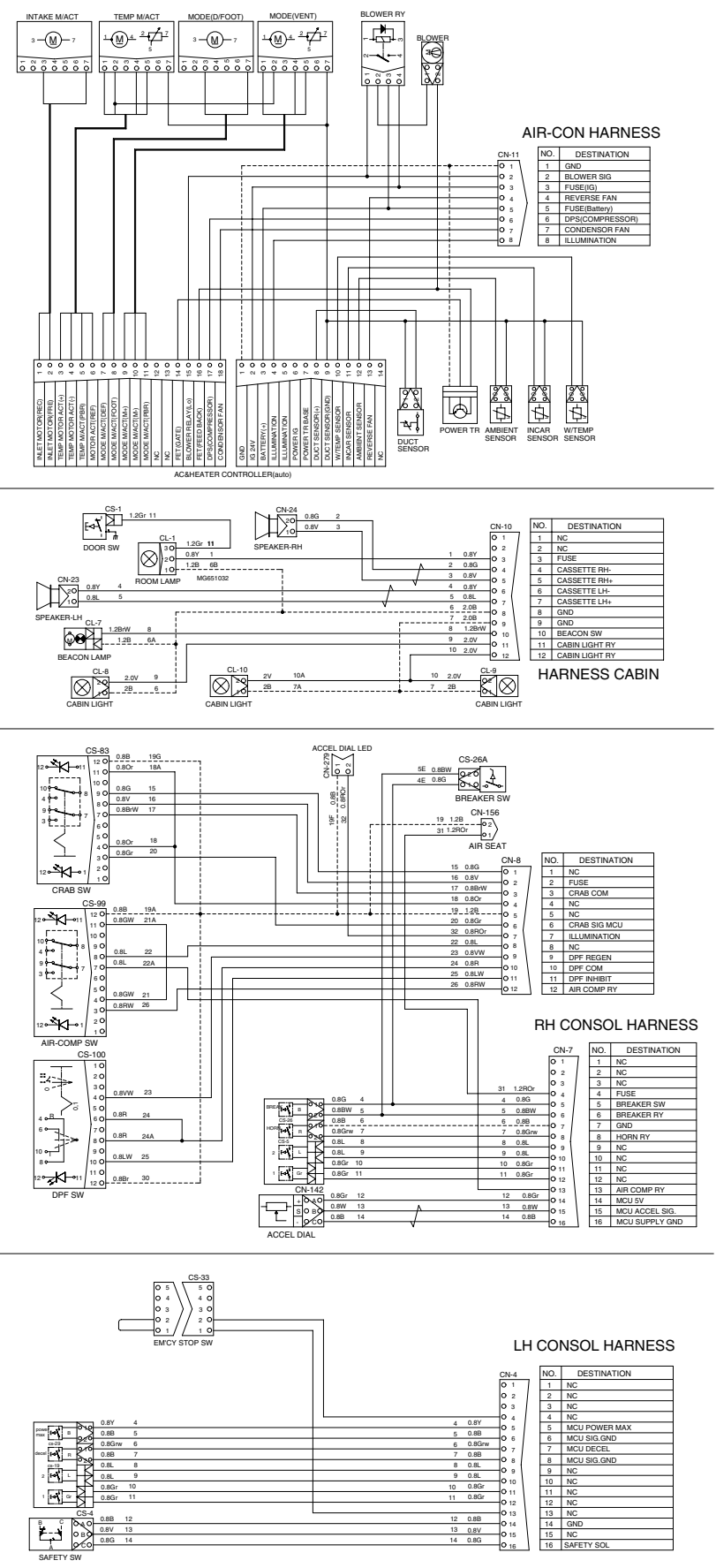
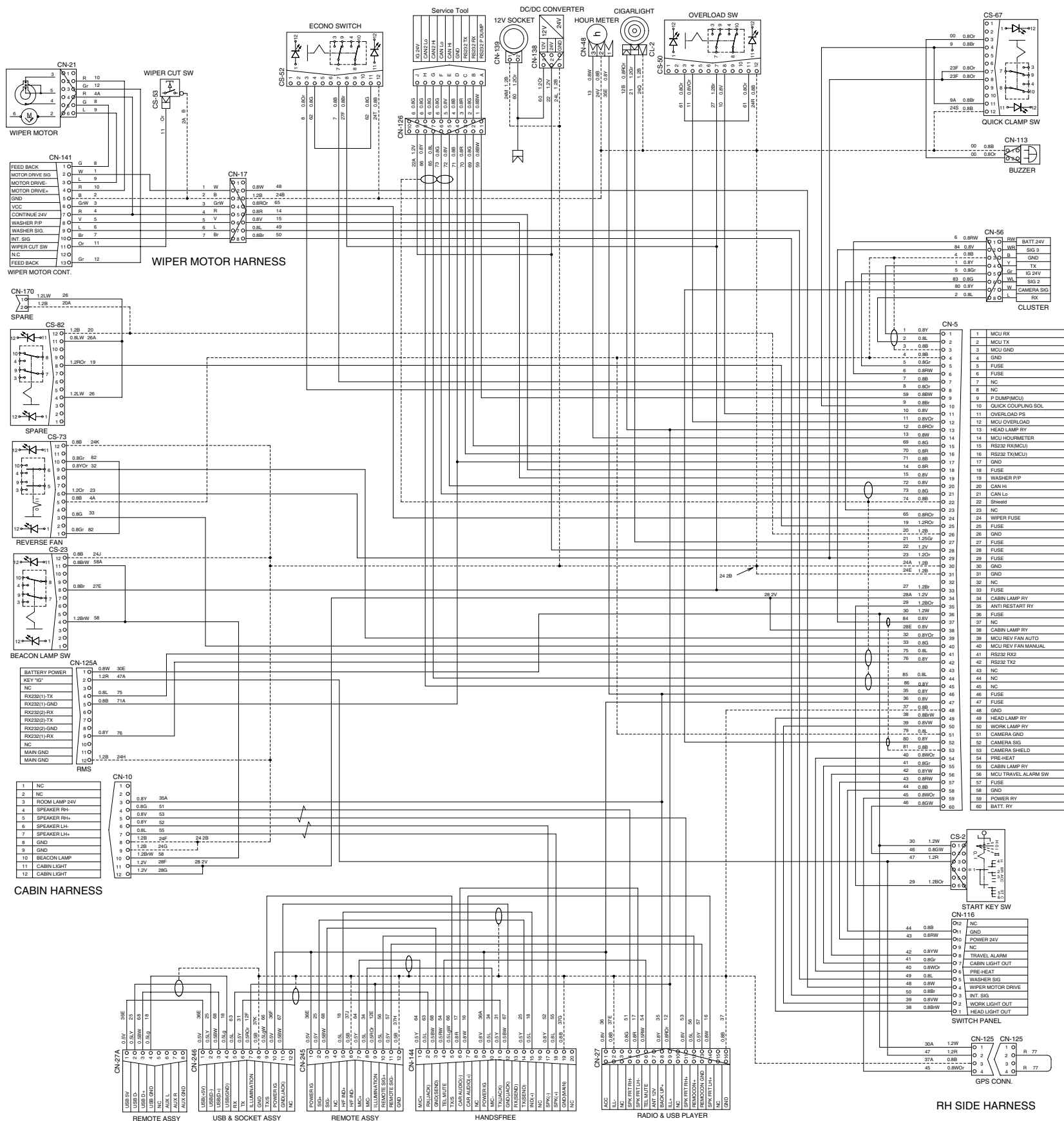
2. LOCATION 2



- | | | | | | |
|---|--------------------|----|-------------------------------|----|----------------------------|
| 1 | Lamp | 10 | P3 pressure sensor | 19 | Swing pressure sensor |
| 2 | Fuel sender | 11 | Overload pressure sensor | 20 | Negative 1 pressure sensor |
| 3 | Fuel filler pump | 12 | Heater relay | 21 | Negative 2 pressure sensor |
| 4 | Beacon lamp | 13 | Alternator | 22 | Attach pressure sensor |
| 5 | Battery | 14 | Start relay | 23 | Travel pressure sensor |
| 6 | Battery relay | 15 | Air cleaner switch | 24 | Solenoid valve |
| 7 | Horn | 16 | Travel alarm buzzer | 25 | Pump EPPR valve |
| 8 | P1 pressure sensor | 17 | Arm/Bucket in pressure sensor | 26 | Boom priority EPPR valve |
| 9 | P2 pressure sensor | 18 | Boom up pressure sensor | 27 | Dozer pressure switch |

GROUP 2 ELECTRICAL CIRCUIT (1/2)





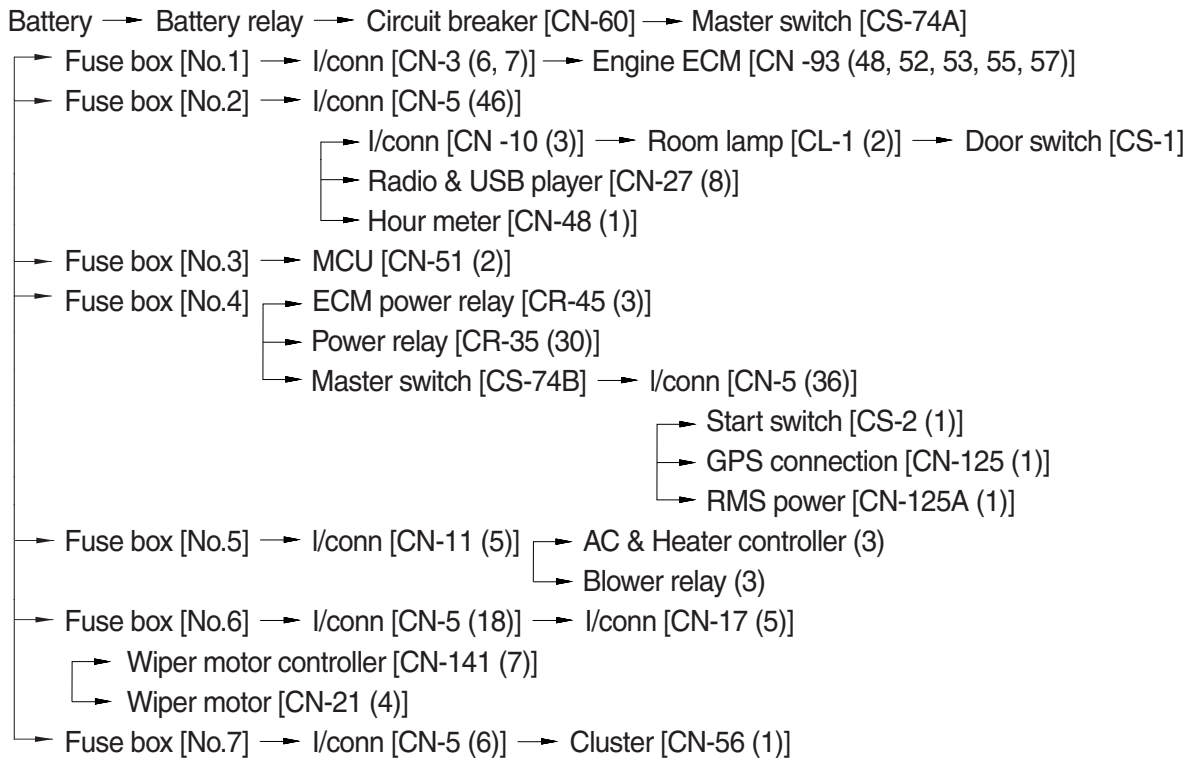
MEMORANDUM

HYUNDAI HEAVY INDUSTRIES CO., LTD
CONSTRUCTION EQUIPMENT DIV.

1. POWER CIRCUIT

The negative terminal of battery is grounded to the machine chassis through master switch.
When the start switch is in the OFF position, the current flows from the positive battery terminal as shown below.

1) OPERATING FLOW



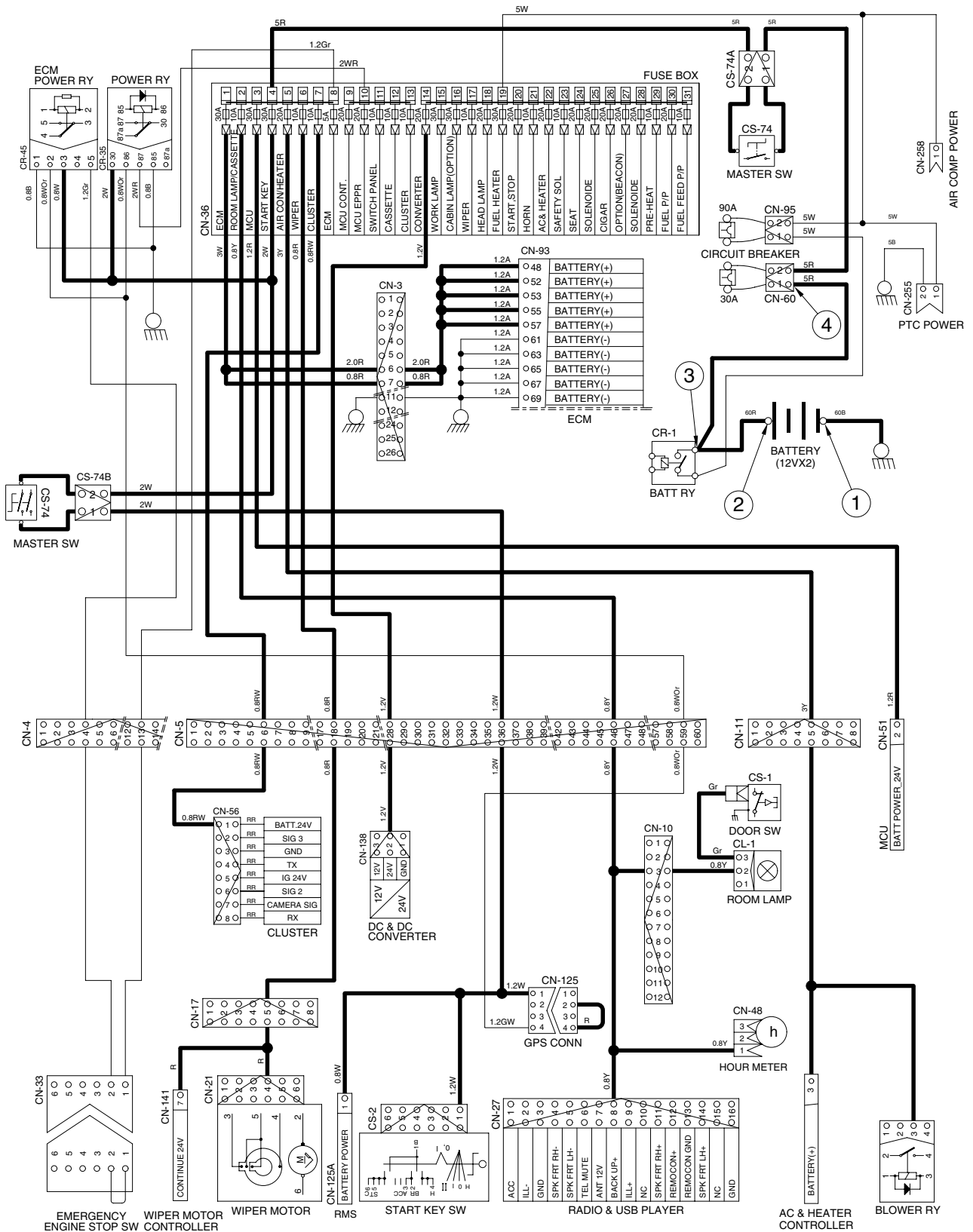
※ I/conn : Intermediate connector

2) CHECK POINT

| Engine | Start switch | Check point | Voltage |
|--------|--------------|------------------------|----------|
| OFF | OFF | ① - GND (battery 1EA) | 10~12.5V |
| | | ② - GND (battery 2EA) | 20~25V |
| | | ③ - GND (battery 2EA) | 20~25V |
| | | ④ - GND (fusible link) | 20~25V |

※ GND : Ground

POWER CIRCUIT



1409A4EL03

2. STARTING CIRCUIT

1) OPERATING FLOW

Battery(+) terminal → Battery relay [CR-1] → Circuit breaker [CN-60] → Master switch [CS-74]
 → Fuse box [No.4] → Master switch [CS-74B] → I/conn [CN-5(36)] → Start switch [CS-2(1)]

(1) When start key switch is in ON position

→ Start switch ON [CS-2 (2)] → I/conn [CN-5 (60)] → Battery relay [CR-1]
 → Battery relay operating (all power is supplied with the electric component)
 → Start switch ON [CS-2 (3)] → GPS connector [CN-125 (2) →(4)] → I/conn [CN-5 (59)]
 → Power relay [CR-35 (86) → (87)] → Fuse box [No.10]
 → ECM power relay [CR-45 (2) → (5)] → I/conn [CN-4 (4)] → Emergency engine stop switch
 [CS-33 (2) → (1)] → I/conn [CN-4 (13)] → Fuse box [No.8]

(2) When start key switch is in START position

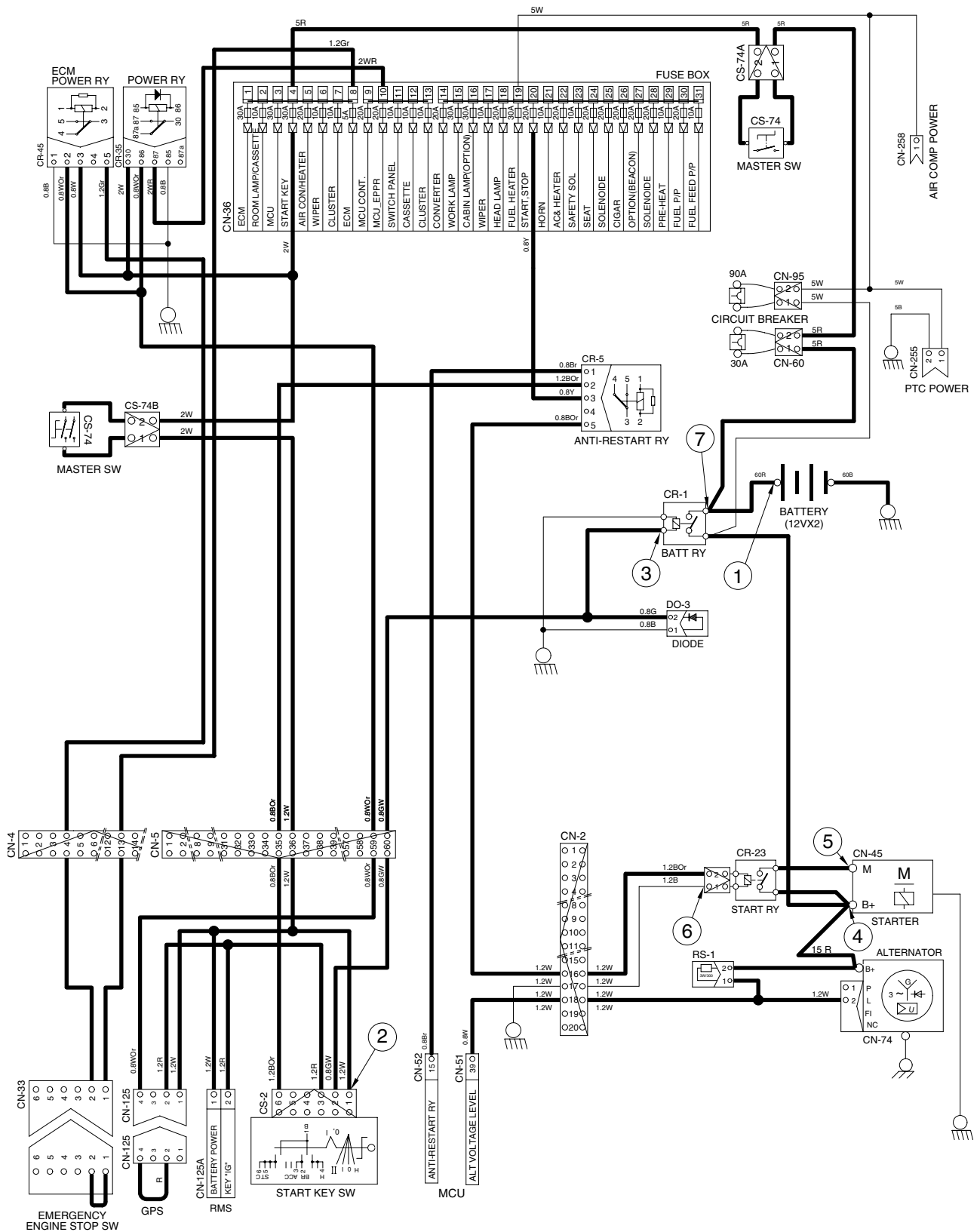
Start switch START [CS-2 (6)] → I/conn [CN-5 (35)] → Anti-restart relay [CR-5 (2) → (5)] →
 I/conn [CN-2 (16)] → Start relay [CR-23]

2) CHECK POINT

| Engine | Start switch | Check point | Voltage |
|-----------|--------------|---|---------|
| OPERATING | START | ① - GND (battery) ② - GND (start key) ③ - GND (battery relay M4) ④ - GND (starter B ⁺) ⑤ - GND (starter M) ⑥ - GND (start relay) ⑦ - GND (battery relay M8) | 20~25V |

※ GND : Ground

STARTING CIRCUIT



1409A4EL04

3. CHARGING CIRCUIT

When the starter is activated and the engine is started, the operator releases the key switch to the ON position.

Charging current generated by operating alternator flows into the battery through the battery relay [CR-1].

The current also flows from alternator to each electrical component and controller through the fuse box.

1) OPERATING FLOW

(1) Warning flow

Alternator "L" terminal [CN-74 (2)] → I/conn [CN-2 (18)] → MCU alternator voltage level [CN-51 (39)]
 → Cluster charging warning lamp (via serial interface)

(2) Charging flow

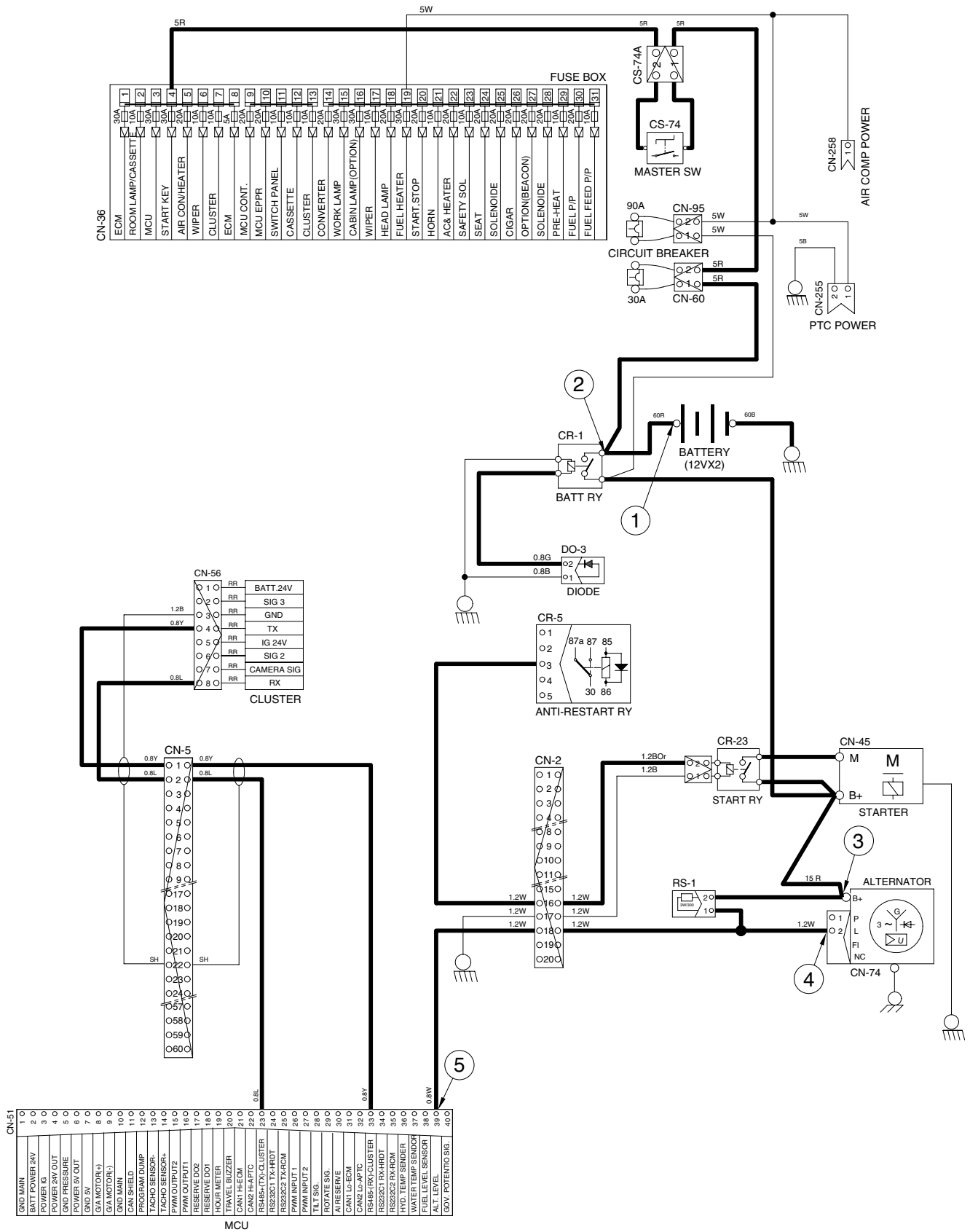
Alternator "B+" terminal → Battery relay(M8) → Battery(+) terminal
 → Circuit breaker [CN-60] → Master switch [CS-74A]
 → Fuse box

2) CHECK POINT

| Engine | Start switch | Check point | Voltage |
|--------|--------------|--|---------|
| Run | ON | ① - GND (battery voltage) ② - GND (battery relay) ③ - GND (alternator B ⁺ terminal) ④ - GND (alternator L terminal) ⑤ - GND (MCU) | 20~30V |

※ GND : Ground

CHARGING CIRCUIT



4. HEAD AND WORK LIGHT CIRCUIT

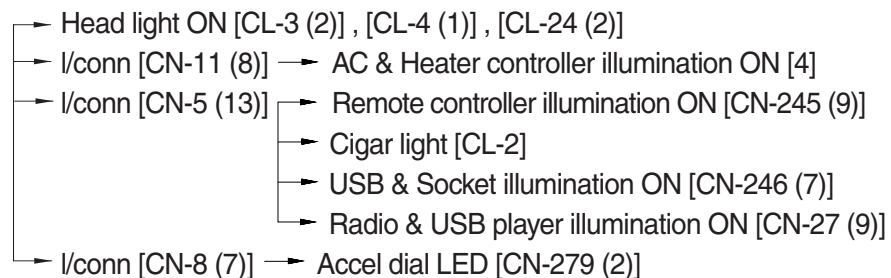
1) OPERATING FLOW

Fuse box (No.18) → Head light relay [CR-13 (30,86)]

Fuse box (No.15) → Work light relay [CR-4 (30,86)]

(1) Head light switch ON

Head light switch ON [CN-116 (1)] → I/conn [CN-5 (49)] → Head light relay [CR-13 (85) → (87)]



(2) Work light switch ON

Work light switch ON [CN-116 (2)] → I/conn [CN-5 (50)] → Work light relay [CR-4 (85) → (87)]

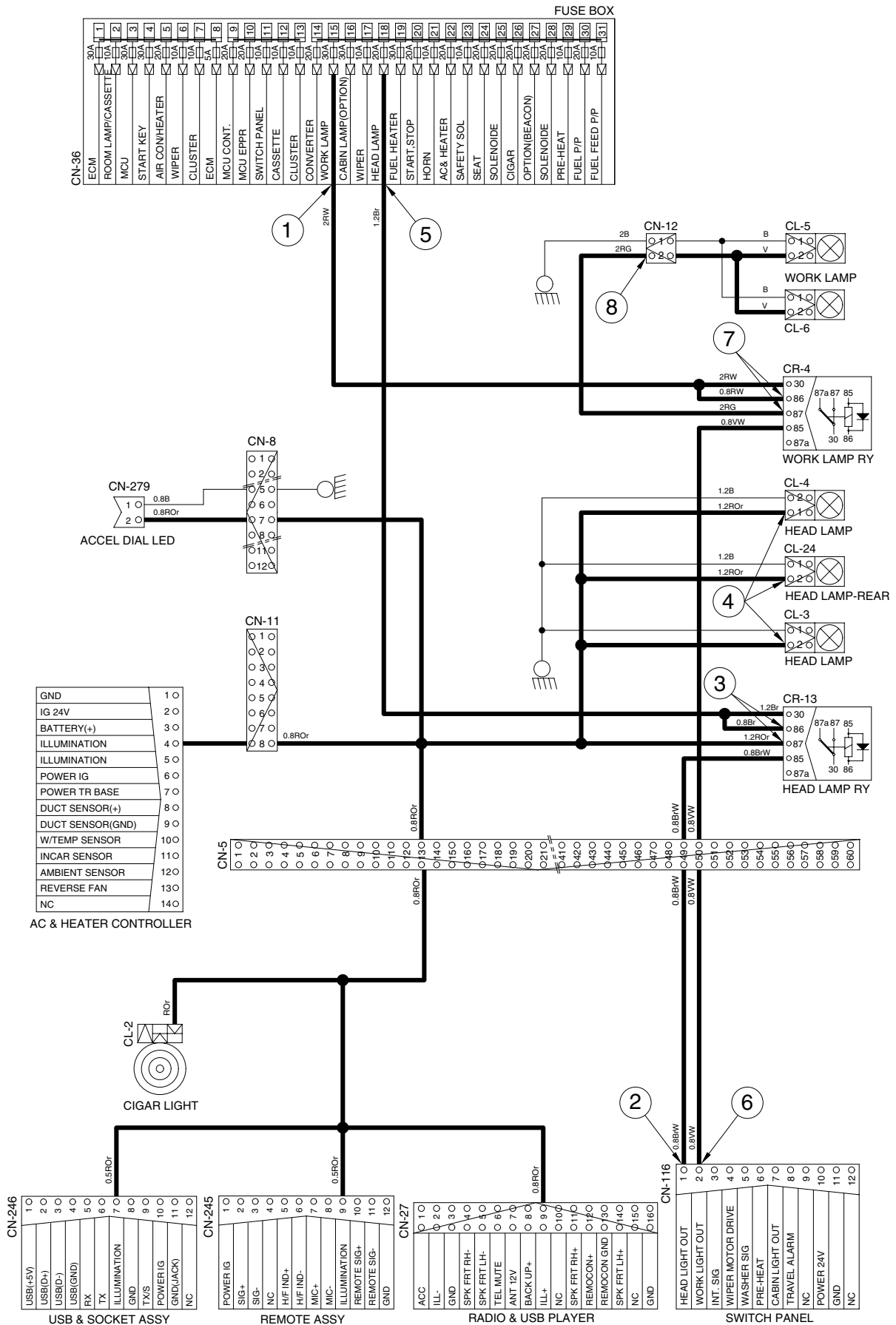
→ I/conn [CN-12 (2)] → Work light ON [CL-5 (2), CL-6 (2)]

2) CHECK POINT

| Engine | Start switch | Check point | Voltage |
|--------|--------------|--|---------|
| STOP | ON | ① - GND (fuse box) ② - GND (switch power output) ③ - GND (head light relay) ④ - GND (head light) ⑤ - GND (fuse box) ⑥ - GND (switch power output) ⑦ - GND (work light relay) ⑧ - GND (work light) | 20~25V |

※ GND : Ground

HEAD AND WORK LIGHT CIRCUIT



1409A4EL06

5. BEACON LAMP AND CAB LIGHT CIRCUIT

1) OPERATING FLOW

Fuse box (No.27) → I/conn [CN-5 (33)] → Beacon lamp switch [CN-23 (8)]

Fuse box (No.16) → Cab light relay [CR-9 (30, 86)]

(1) Beacon lamp switch ON

Beacon lamp switch ON [CS-23 (4)] → Switch indicator lamp ON [CS-23 (11)]
 → I/conn [CN-10 (10)] → Beacon lamp ON [CL-7]

(2) Cab light switch ON

Cab light switch ON [CN-116 (7)] → I/conn [CN-5 (55)] → Cabin lamp relay [CR-9 (85) → (87)]

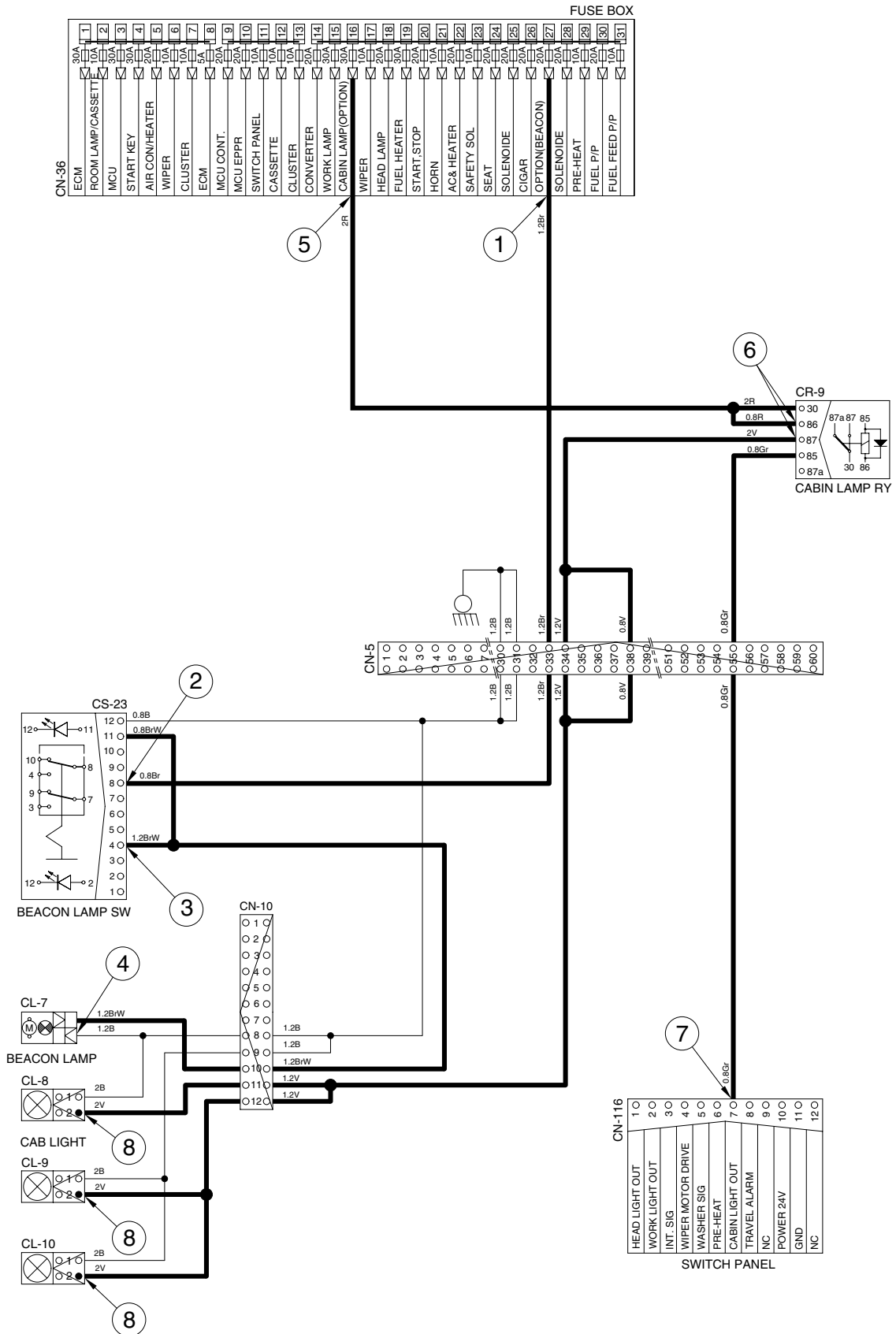
→ I/conn [CN-5 (34, 38)] → I/conn [CN-10 (12)] → Front cab light ON [CL-9 (2), CL-10 (2)]
 → I/conn [CN-10 (11)] → Rear cab light ON [CL-8 (2)]

2) CHECK POINT

| Engine | Start switch | Check point | Voltage |
|--------|--------------|---|---------|
| STOP | ON | ① - GND (fuse box) ② - GND (switch power input) ③ - GND (switch power output) ④ - GND (beacon lamp) ⑤ - GND (fuse box) ⑥ - GND (cabin light relay) ⑦ - GND (switch power output) ⑧ - GND (cab light) | 20~25V |

※ GND : Ground

BEACON LAMP AND CAB LIGHT CIRCUIT



6. WIPER AND WASHER CIRCUIT

1) OPERATING FLOW

(1) Key switch ON

Fuse box (No.11) → I/conn [CN-5 (57)] → Switch panel [CN-116 (10)]
Fuse box (No.6) → I/conn [CN-5 (18)] → I/conn [CN-17 (5)] → Wiper motor controller [CN-141(7)]
→ Wiper motor [CN-21(4)]
Fuse box (No.17) → I/conn [CN-5 (24)] → I/conn [CN-17 (4)] → Wiper motor controller [CN-141 (6)]
→ Washer pump [CN-22 (2)]

(2) Wiper switch ON : 1st step (Intermittent)

Wiper switch ON [CN-116 (3)] → I/conn [CN-17 (8)] → Wiper motor controller [CN-141 (10) → (3)]
→ Wiper motor intermittently operating [CN-21 (6)]

(3) Wiper switch ON : 2nd step (continual)

Wiper switch ON [CN-116(4)] → I/conn[CN-17(2)] → Wiper motor controller [CN-141(2) → (4)]
→ Wiper motor operating [CN-21(2)]

(4) Washer switch ON

Washer switch ON [CN-116 (5)] → I/conn [CN-17 (7)] → Wiper motor controller [CN-141 (9) → (8)]
→ I/conn [CN-17 (6)] → I/conn [CN-5 (19)] → Washer pump [CN-22 (1)] → Washer operating
Wiper switch ON [CN-116 (4)] → I/conn[CN-17 (2)] → Wiper motor controller [CN-141 (2) → (4)]
→ Wiper motor operating [CN-21 (2)]

(5) Auto parking (when switch OFF)

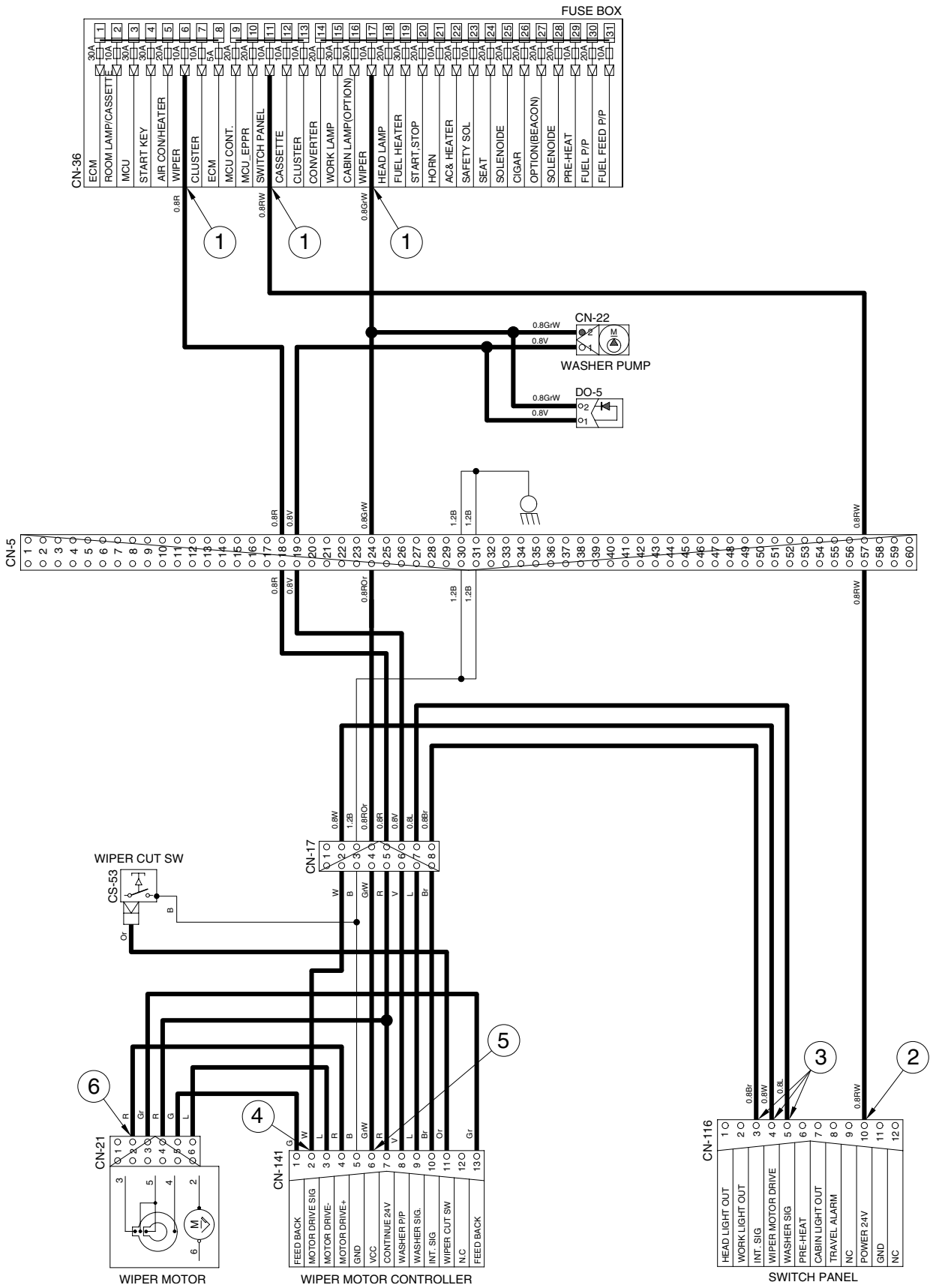
Switch OFF [CN-116 (4)] → Wiper motor parking position by wiper motor controller

2) CHECK POINT

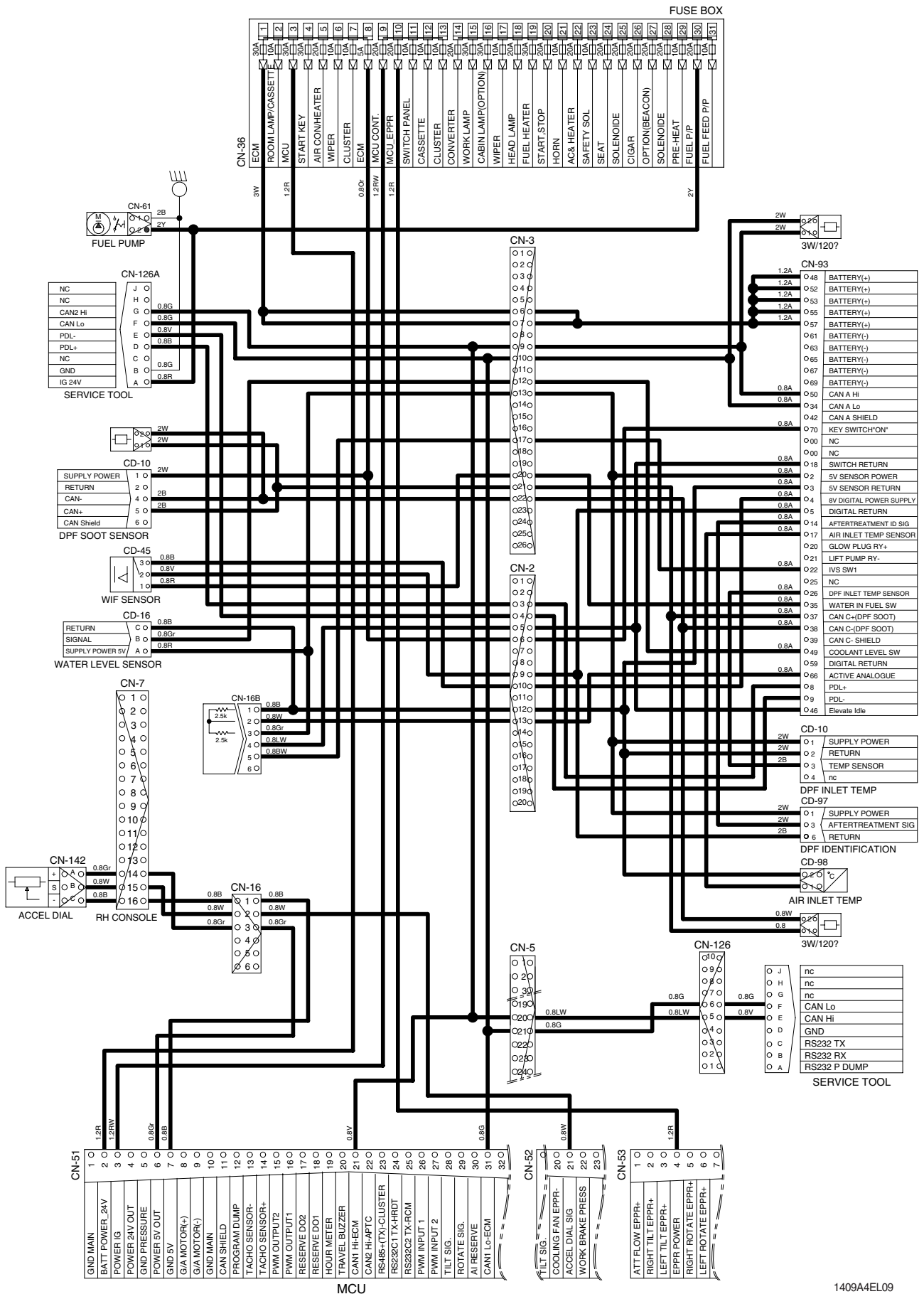
| Engine | Start switch | Check point | Voltage |
|--------|--------------|-------------------------------|----------|
| STOP | ON | ① - GND (fuse box) | 24V |
| | | ② - GND (switch power input) | |
| | | ③ - GND (switch power output) | 0 ~ 5V |
| | | ④ - GND (wiper power input) | |
| | | ⑤ - GND (wiper power output) | 24V |
| | | ⑥ - GND (wiper motor) | 0 or 24V |

※ GND : Ground

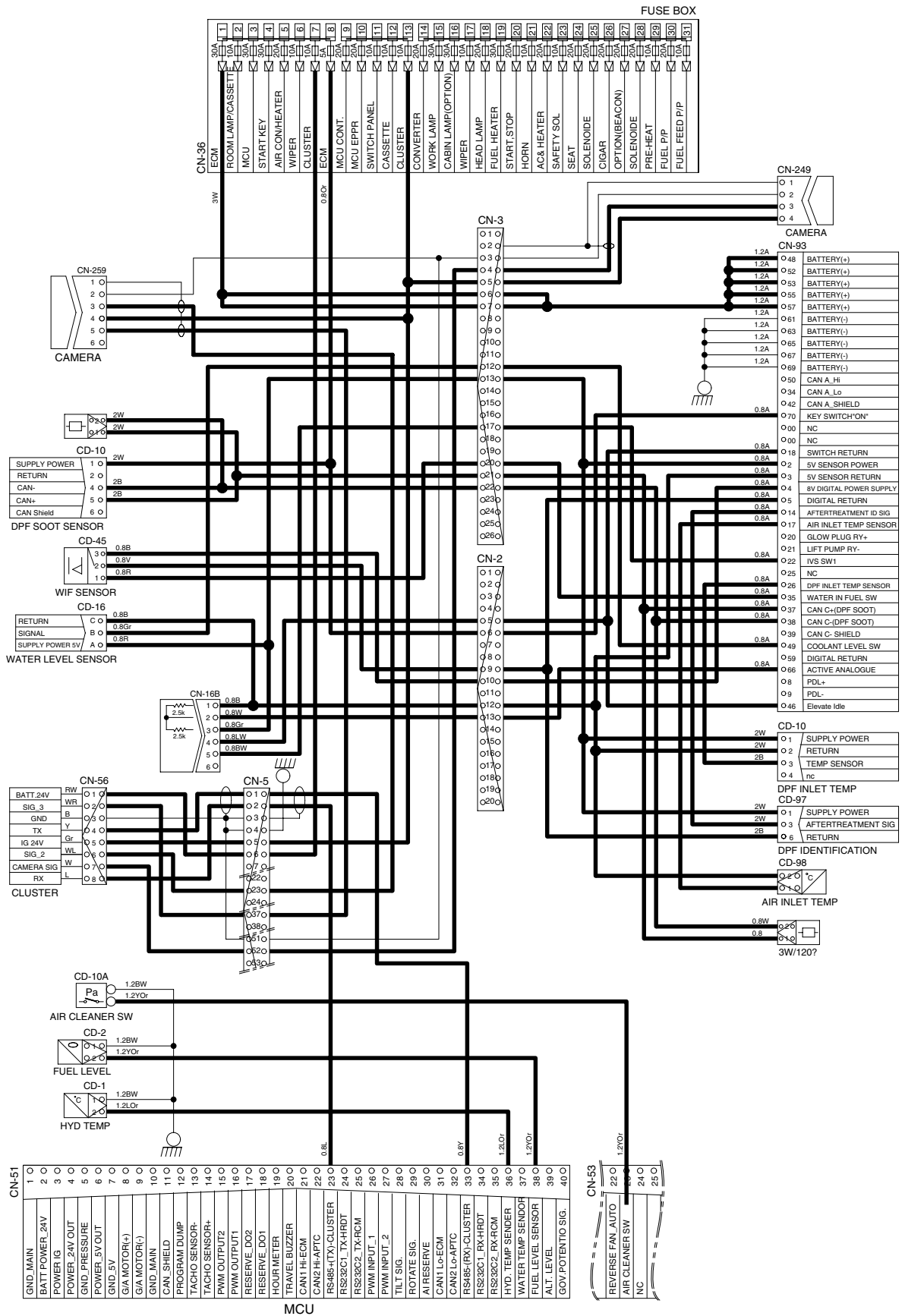
WIPER AND WASHER CIRCUIT



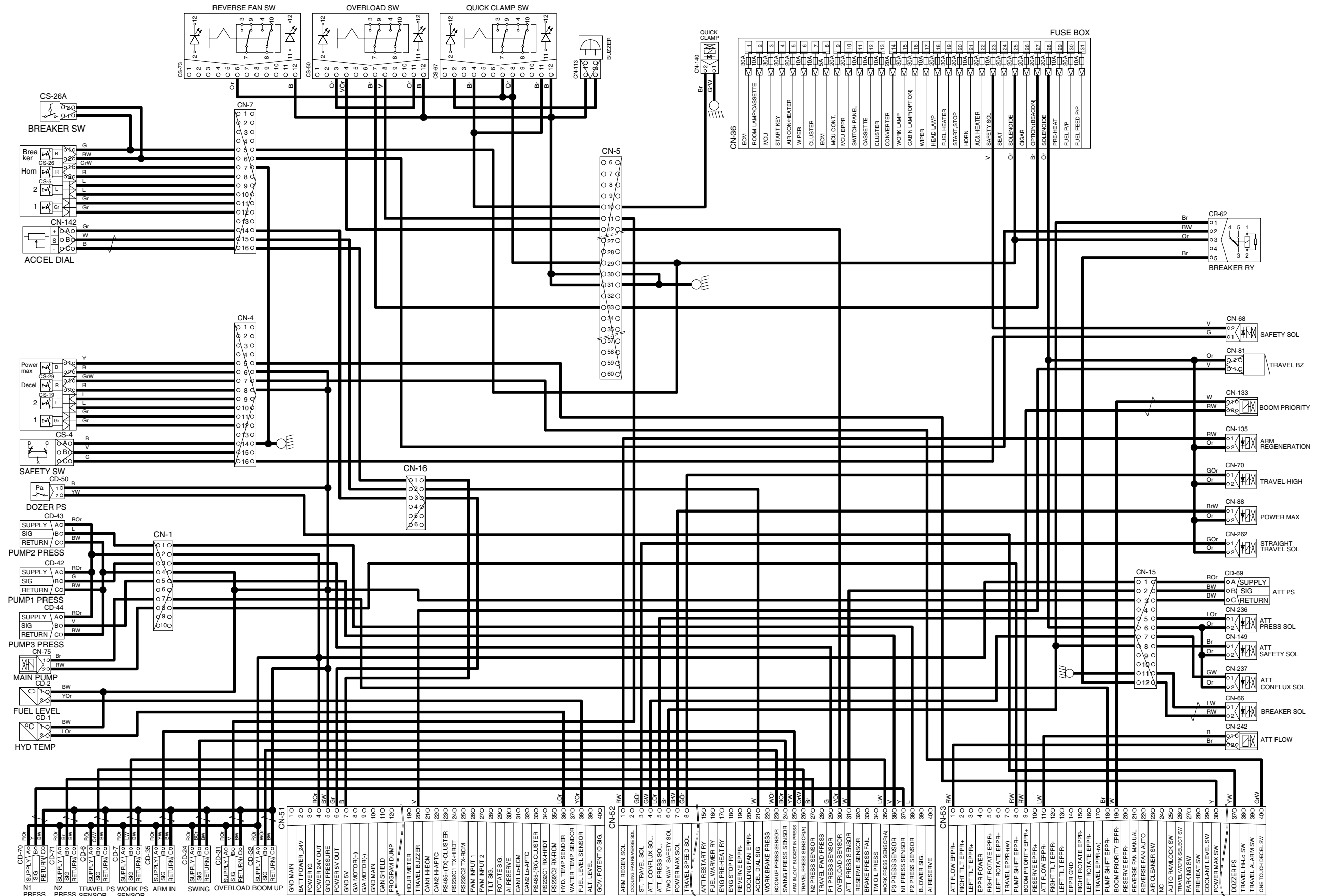
CONTROLLER CIRCUIT



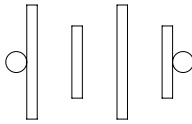
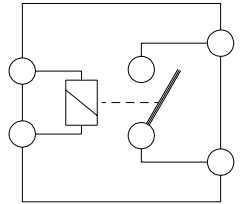
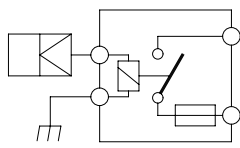
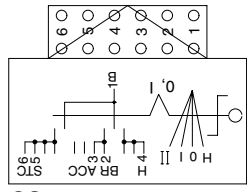
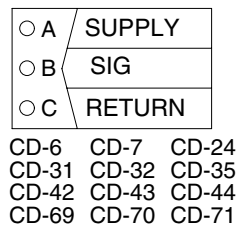
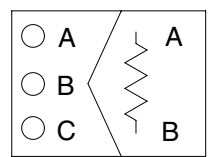
MONITORING CIRCUIT

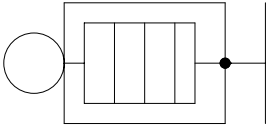
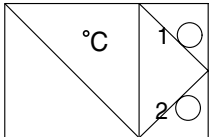
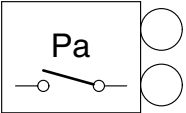
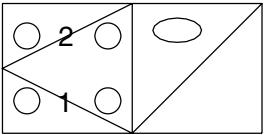
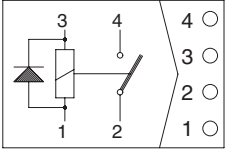
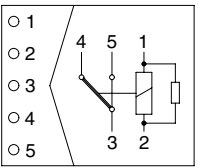


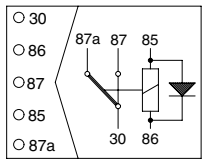
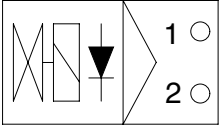
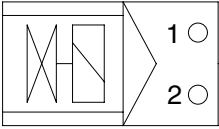
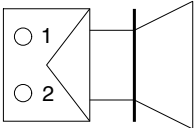
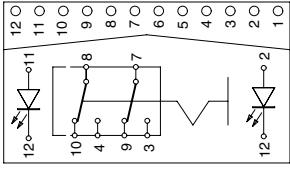
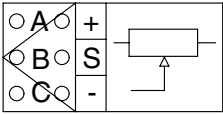
ELECTRIC CIRCUIT FOR HYDRAULIC

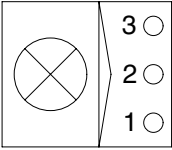
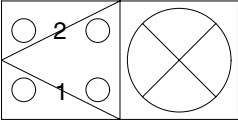
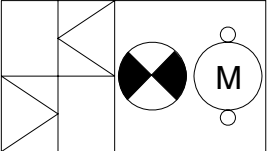
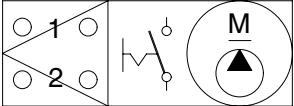
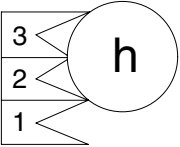
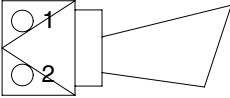


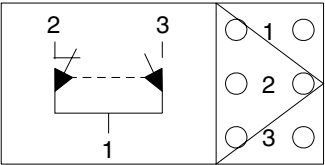
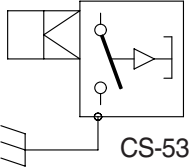
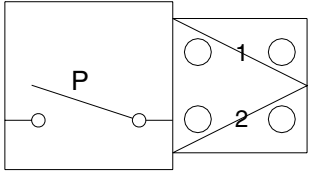
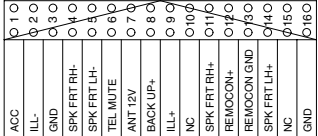
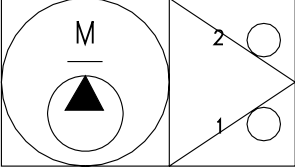
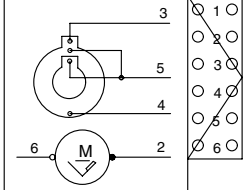
GROUP 3 ELECTRICAL COMPONENT SPECIFICATION

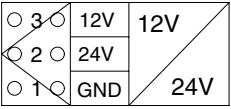
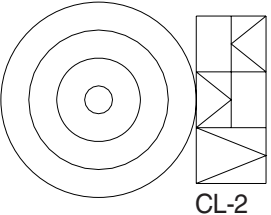
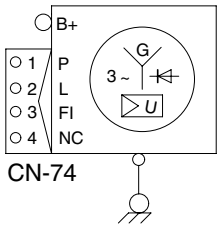

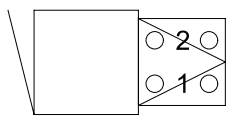
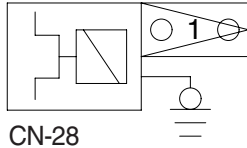
| Part name | Symbol | Specifications | Check |
|-----------------|--|--|---|
| Battery |  | 12V × 100Ah (2 EA) | ※ Check specific gravity 1.280 over : Over charged 1.280 ~ 1.250 : Normal 1.250 below : Recharging |
| Battery relay |  <p style="text-align: center;">CR-1</p> | Rated load : 24V 100A (continuity) 1000A (30 seconds) | ※ Check coil resistance (M4 to M4) Normal : About 50 Ω ※ Check contact Normal : ∞ Ω |
| Glow plug relay |  <p style="text-align: center;">CR-24</p> | 24V 200A | ※ Check contact Normal : 0.942 Ω (For terminal 1-GND) |
| Start key |  <p style="text-align: center;">CS-2</p> | B-BR : 24V 1A B-ACC : 24V 10A B-ST : 24V 40A | ※ Check contact OFF : ∞ Ω (for each terminal) ON : 0 Ω (for terminal 1-3 and 1-2) START : 0 Ω (for terminal 1-5) |
| Pressure sensor |  <p style="text-align: center;">CD-6 CD-7 CD-24 CD-31 CD-32 CD-35 CD-42 CD-43 CD-44 CD-69 CD-70 CD-71</p> | 8~30V | ※ Check contact Normal : 0.1 Ω |
| Resistor |  <p style="text-align: center;">CN-173</p> | 4W | ※ Check resistance A-B : 120 Ω |

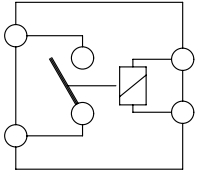
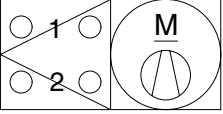
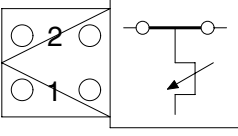
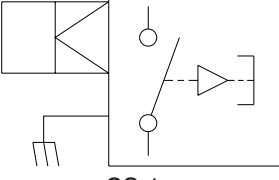
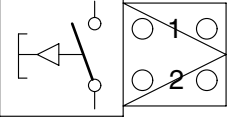
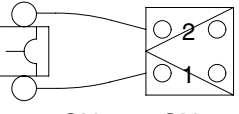
| Part name | Symbol | Specifications | Check |
|--------------------------------|---|----------------|--|
| Glow plug |  CN-80 | 24V 200A | ※ Check resistance 0.25~0.12 Ω |
| Temperature sensor (hydraulic) |  CD-1 | - | ※ Check resistance 50°C : 804 Ω 80°C : 310 Ω 100°C : 180 Ω |
| Air cleaner pressure switch |  CD-10 | (N.O TYPE) | ※ Check contact High level : ∞ Ω Low level : 0 Ω |
| Fuel sender |  CD-2 | - | ※ Check resistance Full : 50 Ω 6/12 : 350 Ω 11/12 : 100 Ω 5/12 : 400 Ω 10/12 : 150 Ω 4/12 : 450 Ω 9/12 : 200 Ω 3/12 : 500 Ω 8/12 : 250 Ω 2/12 : 550 Ω 7/12 : 300 Ω 1/12 : 600 Ω Empty warning : 700 Ω |
| Relay (air con blower) |  | 24V 20A | ※ Check resistance Normal : About 200 Ω (for terminal 1-3) 0 Ω (for terminal 2-4) |
| Relay |  CR-2 CR-5 CR-36 CR-45 CR-62 | 24V 16A | ※ Check resistance Normal : About 160 Ω (for terminal 1-2) 0 Ω (for terminal 3-4) ∞ Ω (for terminal 3-5) |

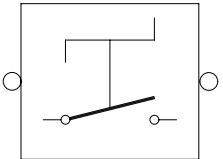
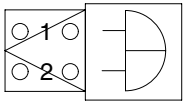
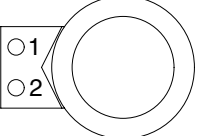
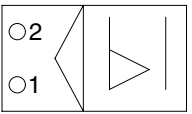
| Part name | Symbol | Specifications | Check |
|-----------------------|---|----------------|--|
| Relay |  <p>CR-4 CR-7 CR-9 CR-13 CR-35 CR-46</p> | 24V 16A | ※ Check resistance Normal : About 160 Ω (for terminal 85-86) 0 Ω (for terminal 30-87a) ∞ Ω (for terminal 30-87) |
| Solenoid valve |  <p>CN-66 CN-68 CN-70 CN-88 CN-135 CN-140 CN-149 CN-236 CN-237 CN-262 CN-263</p> | 24V 1A | ※ Check resistance Normal : 15~25 Ω (for terminal 1-2) |
| EPPR valve |  <p>CN-75 CN-133 CN-242</p> | 700mA | ※ Check resistance Normal : 15~25 Ω (for terminal 1-2) |
| Speaker |  <p>CN-23(LH) CN-24(RH)</p> | 20W | ※ Check resistance Normal : A few Ω |
| Switch (locking type) |  <p>CS-23 CS-50 CS-52 CS-67 CS-73 CS-82 CS-83 CS-99 CS-100</p> | 24V 8A | ※ Check contact Normal ON : 0 Ω (for terminal 3-7, 4-8) ∞ Ω (for terminal 7-9, 8-10) OFF : ∞ Ω (for terminal 3-7, 4-8) 0 Ω (for terminal 7-9, 8-10) |
| Accel dial |  <p>CN-142</p> | - | ※ Check resist Normal : About 5k Ω (for terminal A-C) ※ Check voltage Normal : About 5V (for terminal A-C) : 2~4.5V (for terminal C-B) |

| Part name | Symbol | Specifications | Check |
|--------------------------------------|--|----------------------|--|
| Room lamp |  <p>CL-1</p> | 24V 10W | ※ Check disconnection Normal : 1.0 Ω ON : 0 Ω (For terminal 1-2) ∞ Ω (For terminal 1-3) OFF : ∞ Ω (For terminal 1-2) 0 Ω (For terminal 1-3) |
| Head lamp, Work lamp, Cab lamp |  <p>CL-3 CL-4 CL-5 CL-6 CL-8 CL-9 CL-10 CL-24</p> | 24V 65W (H3 Type) | ※ Check disconnection Normal : 1.2 Ω |
| Beacon lamp |  <p>CL-7</p> | 21V 70W (H1 Type) | ※ Check disconnection Normal : A few Ω |
| Fuel filler pump |  <p>CN-61</p> | 24V 10A 35 l /min | ※ Check resistance Normal : 1.0 Ω |
| Service meter |  <p>CN-48</p> | 16~32V | ※ Check operation Supply power(24V) to terminal No.2 and connect terminal No.1 and ground |
| Horn |  <p>CN-20 CN-25</p> | DC22~28V 2A | ※ Check operation Supply power(24V) to each terminal and connect ground. |

| Part name | Symbol | Specifications | Check |
|--------------------|--|-----------------------|--|
| Safety switch |  <p>CS-4</p> | 24V 15A (N.C TYPE) | ※ Check contact Normal : 0 Ω (for terminal 1-2) ∞ Ω (for terminal 1-3) Operating : ∞ Ω (for terminal 1-2) 0 Ω (for terminal 1-3) |
| Wiper cut switch |  <p>CS-53</p> | 24V (N.O TYPE) | ※ Check contact Normal : 0 Ω (one pin to ground) |
| Receiver dryer |  <p>CN-29</p> | 24V 2.5A | ※ Check contact Normal : ∞ Ω |
| Radio & USB player |  <p>CN-27</p> | 24V 2A | ※ Check voltage 20~25V (for terminal 1-3, 3-8) |
| Washer pump |  <p>CN-22</p> | 24V 3.8A | ※ Check contact Normal : 10.7 Ω (for terminal 1-2) |
| Wiper motor |  <p>CN-21</p> | 24V 2A | ※ Check disconnection Normal : 7 Ω (for terminal 2-6) |

| Part name | Symbol | Specifications | Check |
|-------------------|--|--------------------|---|
| DC/DC Converter |  <p>CN-138</p> | 12V 3A | ※ Check voltage 24V (for terminal 1-2) 12V (for terminal 1-3) |
| Cigar lighter |  <p>CL-2</p> | 24V 5A 1.4W | ※ Check coil resistance Normal : About 1M Ω ※ Check contact Normal : ∞ Ω Operating time : 5~15sec |
| Alternator |  <p>CN-74</p> | 24V 85A | ※ Check contact Normal : 0 Ω (for terminal B ⁺ -P) Normal : 24~27.5V |
| Starter |  <p>CN-45</p> | Denso 24V 4.5kW | ※ Check contact Normal : 0.1 Ω |
| Travel alarm |  <p>CN-81</p> | 24V 0.5A | ※ Check contact Normal : 5.2 Ω |
| Aircon compressor |  <p>CN-28</p> | 24V 79W | ※ Check contact Normal : 13.4 Ω |

| Part name | Symbol | Specifications | Check |
|---|---|----------------------------|---|
| Start relay |  <p>CR-23</p> | 24V 300A | ※ Check contact Normal : 0.94 Ω (for terminal 1-2) |
| Blower motor |  | 24V 9.5A | ※ Check resistance Normal : 2.5 Ω (for terminal 1-2) |
| Duct sensor (switch) |  | 1°C OFF 4°C ON | ※ Check resistance Normal : 0 Ω (for terminal 1-2), the atmosphere temp : Over 4°C |
| Door switch |  <p>CS-1</p> | 24V 2W | ※ Check resistance Normal : About 5M Ω |
| Switch (power max, one touch decal, horn, breaker) |  <p>CS-5 CS-19 CS-26 CS-29</p> | 24V 6A | ※ Check resistance Normal : ∞ Ω |
| Circuit breaker |  <p>CN-60 CN-95</p> | CN-60 (30A) CN-95 (60A) | ※ Check disconnection normal : 0 Ω (connect ring terminal and check resist between terminal 1 and 2) |

| Part name | Symbol | Specifications | Check |
|--------------------|--|------------------------|---|
| Master switch |  <p>CS-74A CS-74B</p> | 6-36V | ※ Check disconnection Normal : 0.1 Ω |
| Quick clamp buzzer |  <p>CN-113</p> | 24V 200mA 107 ± 4dB | - |
| Socket |  <p>CN-139</p> | 12V 10A | - |
| WIF sensor |  <p>CD-45</p> | - | ※ Check contact Normal : 68.8 ~ 4.94 Ω |

GROUP 4 CONNECTORS

1. CONNECTOR DESTINATION

| Connector number | Type | No. of pin | Destination | Connector part No. | |
|------------------|-----------|------------|---|--------------------|------------------|
| | | | | Female | Male |
| CN-1 | AMP | 10 | I/conn (Frame harness-Pump PS harness) | S816-010002 | S816-110002 |
| CN-2 | AMP | 20 | I/conn (Frame harness-Engine harness) | 936777-2 | 936780-2 |
| CN-3 | AMP | 26 | I/conn (Frame harness-Engine harness) | 1897009-2 | 1897013-2 |
| CN-4 | AMP | 16 | I/conn (Console harness LH-Frame harness) | 368047-1 | 368050-1 |
| CN-5 | DEUTSCH | 60 | I/conn (Side harness RH-Frame harness) | DRB16-60SAE-L018 | DRB14-60PAE-L018 |
| CN-7 | AMP | 16 | I/conn (Console harness RH-Frame harness) | 368047-1 | 368050-1 |
| CN-8 | AMP | 12 | I/conn (Console harness RH-Frame harness) | S816-012002 | S816-112002 |
| CN-10 | DEUTSCH | 12 | I/conn (Cab harness-Side harness RH) | DT06-12S-EP06 | DT04-12P-BE02 |
| CN-11 | DEUTSCH | 8 | I/conn (Frame harness-Aircon harness) | DT06-8S | - |
| CN-12 | DEUTSCH | 2 | I/conn (Frame harness-Boom wire harness) | DT06-2S-EP06 | DT04-2P-E005 |
| CN-15 | AMP | 12 | I/conn (Frame harness-Two way harness) | S816-012002 | S816-112002 |
| CN-16 | AMP | 6 | Emergency engine start & speed control | S816-006002 | S816-106002 |
| CN-17 | AMP | 8 | I/conn (Wiper harness) | S816-006002 | S816-108202 |
| CN-20 | MOLEX | 2 | Horn | 36825-0211 | - |
| CN-21 | AMP | 6 | Wiper motor | S816-006202 | - |
| CN-22 | KET | 2 | Washer pump | MG640605 | - |
| CN-23 | KET | 2 | Speaker-LH | MG610070 | - |
| CN-24 | KET | 2 | Speaker-RH | MG610070 | - |
| CN-25 | MOLEX | 2 | Horn | 36825-0211 | - |
| CN-27 | KUM | 16 | Radio & USB player | PK145-16017 | - |
| CN-27A | AMP | 8 | USB player | S816-008002 | S816-108002 |
| CN-28 | KUM | 1 | Aircon compressor | NMWP01F-B | - |
| CN-29 | KET | 2 | Receiver dryer | MG640795 | - |
| CN-36 | - | - | Fuse box | 21Q7-10920 | - |
| CN-45 | RING-TERM | - | Starter motor B ⁺ | S820-308000 | - |
| CN-48 | KET | 1 | Service meter | 2-520193-2 | - |
| CN-51 | DEUTSCH | 40 | MCU | DRC26-40SA | - |
| CN-52 | DEUTSCH | 40 | MCU | DRC26-40SB | - |
| CN-53 | DEUTSCH | 40 | MCU | DRC26-40SC | - |
| CN-56 | AMP | 8 | Cluster | - | S816-108002 |
| CN-60 | YAZAKI | 2 | Circuit breaker | - | S813-130201 |
| CN-61 | DEUTSCH | 2 | Fuel filler pump | DT06-2S-EP06 | - |
| CN-66 | DEUTSCH | 2 | Breaker solenoid | DT06-2S-EP06 | - |
| CN-68 | DEUTSCH | 2 | Safety solenoid | DT06-2S-EP06 | - |
| CN-70 | DEUTSCH | 2 | Travel high solenoid | DT06-2S-EP06 | - |
| CN-74 | RING-TERM | - | Alternator "L" terminal | - | S820-105000 |

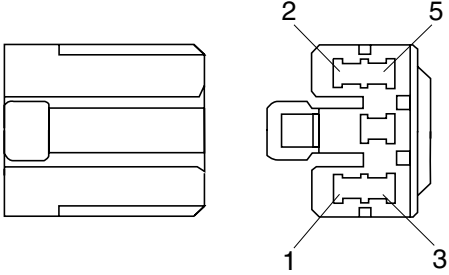
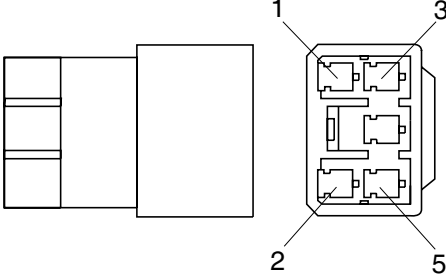
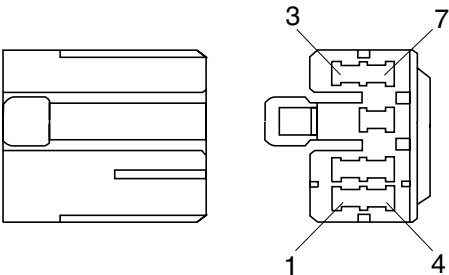
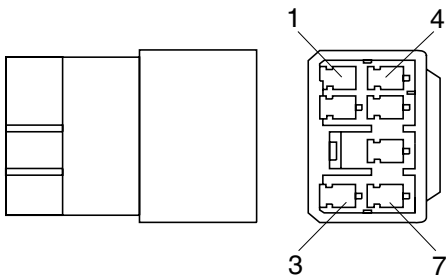
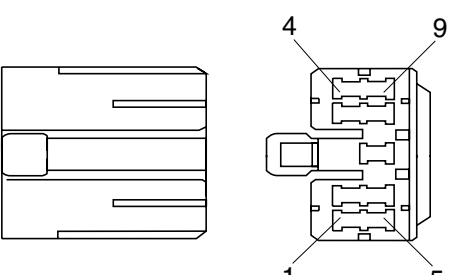
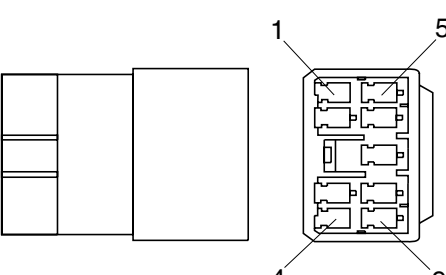
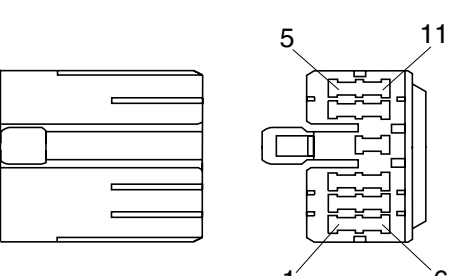
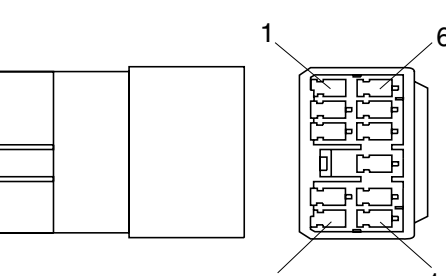
| Connector number | Type | No. of pin | Destination | Connector part No. | |
|------------------|-------------|------------|---------------------------------|--------------------|--------------|
| | | | | Female | Male |
| CN-75 | AMP | 2 | Pump EPPR | S816-002002 | - |
| CN-80 | RING-TERM | - | Glow plug | S820-306000 | - |
| CN-81 | DEUTSCH | 2 | Travel buzzer solenoid | DT06-2S-EP06 | - |
| CN-88 | DEUTSCH | 2 | Power max solenoid | DT06-2S-EP06 | - |
| CN-93 | DEUTSCH | 64 | Engine ECM | 776469-1 | - |
| CN-95 | AMP | 2 | Circuit breaker | - | S813-130201 |
| CN-96 | AMP | 4 | Fuel warmer | 15300027 | - |
| CN-113 | KET | 2 | Buzzer | MG651205-5 | - |
| CN-116 | AMP | 12 | Switch panel | 176116 | - |
| CN-125 | Econoseal J | 4 | GPS connector | S816-004002 | S816-104002 |
| CN-126 | AMP | 10 | Service tool | S816-010002 | S816-110002 |
| CN-133 | DEUTSCH | 2 | Boom priority solenoid | DT06-2S-EP06 | - |
| CN-135 | DEUTSCH | 2 | Arm regeneration solenoid | DT06-2S-EP06 | - |
| CN-138 | FASTEN | 3 | DC/DC Converter | S810-003202 | - |
| CN-139 | FASTEN | 2 | 12V socket | 172434-2 | - |
| CN-140 | DEUTSCH | 2 | Quick clamp solenoid | DT06-2S-EP06 | DT04-2P-E005 |
| CN-141 | AMP | 13 | Wiper motor controller | 172498-1 | DT04-3P-EP10 |
| CN-142 | DEUTSCH | 3 | Accel dial | DT06-3S-EP06 | - |
| CN-144 | KET | 20 | Handsfree | MG610240 | - |
| CN-145 | DEUTSCH | 2 | Fuel pump | DT06-2S-EP06 | - |
| CN-149 | DEUTSCH | 2 | Attach safety solenoid | DT06-2S-EP06 | - |
| CN-156 | DEUTSCH | 2 | Air seat | DT04-2S-E005 | DT06-2P-EP06 |
| CN-157 | AMP | 1 | Antena power | S822-014002 | - |
| CN-170 | AMP | 2 | Heated seat | S816-002002 | S816-102002 |
| CN-173 | AMP | 2 | Resistor | S816-002002 | - |
| CN-231 | DEUTSCH | 2 | l/conn (Master switch-Fuse box) | S813-030201 | |
| CN-236 | DEUTSCH | 2 | Attach pressure solenoid | DT06-2S-EP06 | - |
| CN-237 | DEUTSCH | 2 | Attach conflux solenoid | DT06-2S-EP06 | - |
| CN-242 | DEUTSCH | 2 | Attach flow solenoid | DT06-2S-EP06 | DT04-2P-E005 |
| CN-244 | DEUTSCH | 3 | CAN 2 | - | DT04-3P-EP06 |
| CN-245 | AMP | 12 | Remote controller assy | 368542-1 | - |
| CN-246 | AMP | 12 | USB & Socket assy | 174045-2 | - |
| CN-249 | AMP | 4 | Rear view camera | S816-004002 | S816-104002 |
| CN-255 | AMP | 12 | PTC power | S813-030201 | - |
| CN-259 | AMP | 6 | Camera | S816-006002 | - |
| CN-262 | DEUTSCH | 2 | Straight travel solenoid | DT06-2S-EP06 | - |
| CN-263 | DEUTSCH | 2 | Adjust boom solenoid | DT06-2S-EP06 | - |
| CN-279 | AMP | 2 | Accel dial LED | S816-002002 | S816-102002 |

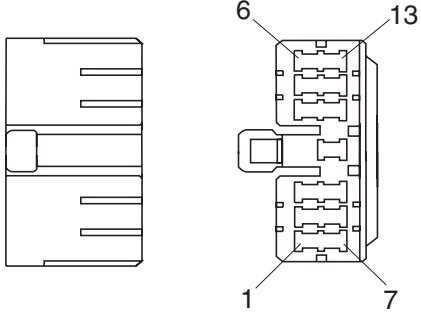
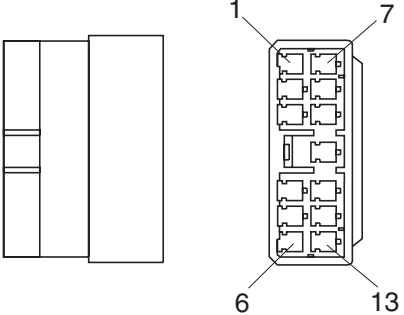
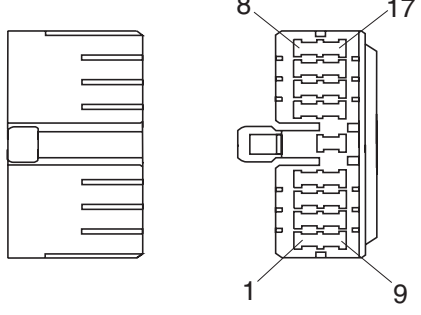
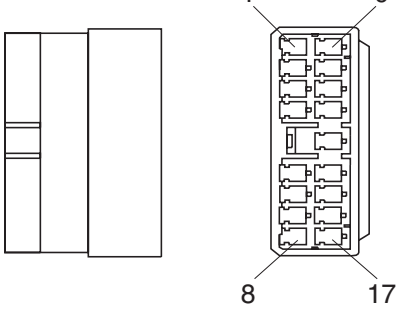
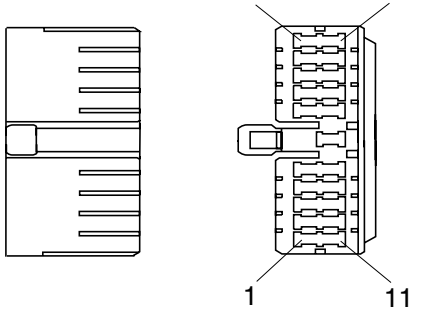
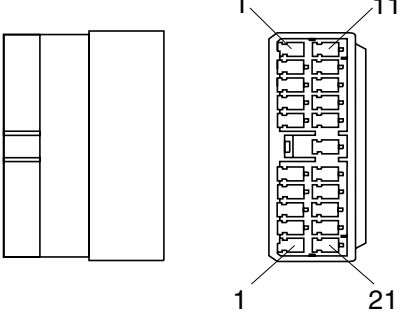
| Connector number | Type | No. of pin | Destination | Connector part No. | |
|------------------|-----------|------------|------------------------------|--------------------|--------------|
| | | | | Female | Male |
| · Relay | | | | | |
| CR-1 | RING-TERM | - | Battery relay | ST710285-2 | - |
| CR-2 | - | 5 | Horn relay | - | - |
| CR-4 | - | 5 | Work lamp relay | BJA003526-001 | - |
| CR-5 | - | 5 | Anti restart relay | - | - |
| CR-7 | - | 5 | Aircon compressor relay | BJA003526-001 | - |
| CR-9 | - | 5 | Cabin lamp relay | BJA003526-001 | - |
| CR-13 | - | 5 | Head lamp relay | BJA003526-001 | - |
| CR-23 | RING TERM | - | Start relay | S814-002001 | S814-102001 |
| CR-24 | RING TERM | - | Preheat relay | S822-014000 | - |
| CR-35 | - | 5 | Power relay | - | - |
| CR-36 | - | 5 | Preheat relay | - | - |
| CR-45 | AMP | 5 | ECM power relay | BJA003526-001 | 24L1-05100 |
| CR-46 | - | 5 | Fuel warmer relay | BJA003526-001 | - |
| CR-62 | - | 5 | Breaker relay | BJA003526-001 | - |
| · Switch | | | | | |
| CS-1 | SHUR | 1 | Door switch | S822-014002 | S822-114002 |
| CS-2 | WP | 6 | Start key switch | S816-006100 | - |
| CS-4 | DEUTSCH | 3 | Safety switch | DT06-3S-EP06 | - |
| CS-5 | DEUTSCH | 2 | Horn switch | - | DT04-2P-E005 |
| CS-19 | DEUTSCH | 2 | One touch decel switch | - | DT04-2P-E005 |
| CS-23 | SWF | 12 | Beacon lamp switch | SWF589790 | - |
| CS-26 | DEUTSCH | 2 | Breaker switch | DT06-2S-EP06 | - |
| CS-26A | AMP | 2 | Breaker pedal switch | S816-002002 | S816-102002 |
| CS-33 | AMP | 6 | Emergency engine stop switch | S816-006002 | S816-106002 |
| CS-29 | DEUTSCH | 2 | Power max switch | DT06-2S-EP06 | - |
| CS-50 | SWF | 12 | Overload switch | SWF589790 | - |
| CS-52 | SWF | 12 | Econo switch | SWF589790 | - |
| CS-53 | AMP | 1 | Wiper cut switch | S822-014002 | - |
| CS-67 | SWF | 12 | Quick clamp switch | SWF 589790 | - |
| CS-73 | SWF | 12 | Reverse fan | SWF 589790 | - |
| CS-74A | DEUTSCH | 2 | Master switch | DT06-2S-EP06 | - |
| CS-74B | AMP | 2 | Master switch | S813-030201 | - |
| CS-82 | SWF | 12 | Heated seat switch | SWF 589790 | - |
| CS-83 | SWF | 12 | Spare switch | SWF 589790 | - |
| CS-99 | SWF | 12 | Air compressor switch | SWF 589790 | - |
| CS-100 | SWF | 12 | Spare switch | SWF 589790 | - |

| Connector number | Type | No. of pin | Destination | Connector part No. | |
|------------------|---------|------------|---------------------------|--------------------|--------------|
| | | | | Female | Male |
| · Light | | | | | |
| CL-1 | KET | 3 | Room lamp | MG651032 | - |
| CL-2 | AMP | 1 | Cigar light | S822-014002 | S822-114002 |
| CL-3 | DEUTSCH | 2 | Head lamp-LH | DT06-2S-EP06 | DT04-2P-E005 |
| CL-4 | DEUTSCH | 2 | Head lamp-RH | DT06-2S-EP06 | DT04-2P-E005 |
| CL-5 | AMP | 2 | Work lamp-LH | 180923-0 | - |
| CL-6 | AMP | 2 | Work lamp-RH | 180923-0 | - |
| CL-7 | SHUR | 1 | Beacon lamp | S822-014002 | S822-114002 |
| CL-8 | DEUTSCH | 2 | Front cab light-LH | DT06-2S-EP06 | DT04-2P |
| CL-9 | DEUTSCH | 2 | Front cab light-RH | DT06-2S-EP06 | DT04-2P |
| CL-10 | DEUTSCH | 2 | Rear cab light-LH | DT06-2S-EP06 | DT04-2P |
| CL-24 | DEUTSCH | 2 | Work lamp-rear | DT06-2S-EP06 | DT04-2P-E005 |
| · Sensor, sensor | | | | | |
| CD-1 | AMP | 2 | Hydraulic oil temp sender | 85202-1 | - |
| CD-2 | DEUTSCH | 2 | Fuel level sender | DT06-2S-EP06 | - |
| CD-6 | DEUTSCH | 3 | Travel pressure sensor | DT06-3S-EP06 | - |
| CD-7 | DEUTSCH | 3 | Working pressure sensor | DT06-3S-EP06 | - |
| CD-10 | AMP | 4 | DPF inlet temp sensor | 776487-2 | - |
| CD-10A | AMP | 2 | Air cleaner switch | 85202-1 | - |
| CD-16 | DELPHI | 3 | Water level sensor | 12110293 | - |
| CD-24 | DEUTSCH | 3 | Swing sensor | DT06-3S-EP06 | - |
| CD-31 | DEUTSCH | 3 | Overload sensor | DT06-3S-EP06 | - |
| CD-32 | DEUTSCH | 3 | Boom up sensor | DT06-3S-EP06 | - |
| CD-35 | DEUTSCH | 3 | Arm & bucket in sensor | DT06-3S-EP06 | - |
| CD-42 | DEUTSCH | 3 | Pump pressure 1 | DT06-3S-EP06 | - |
| CD-43 | DEUTSCH | 3 | Pump pressure 2 | DT06-3S-EP06 | - |
| CD-44 | DEUTSCH | 3 | Pump pressure 3 | DT06-3S-EP06 | - |
| CD-45 | AMP | 3 | WIF sensor | 776429-3 | - |
| CD-50 | KET | 2 | Dozer pressure switch | MG640795 | - |
| CD-69 | DEUTSCH | 3 | Attach pressure sensor | DT06-3S-EP06 | - |
| CD-70 | DEUTSCH | 3 | N1 pressure sensor | DT06-3S-EP06 | - |
| CD-71 | DEUTSCH | 3 | N2 pressure sensor | DT06-3S-EP06 | - |
| CD-97 | AMP | 6 | Aftertreatment | 776433-3 | - |
| CD-98 | AMP | 2 | Air intake temp sensor | 776427-1 | - |
| CD-107 | AMP | 6 | DPF soot sensor | 776433-3 | - |

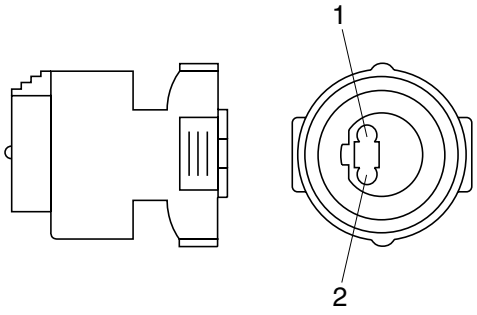
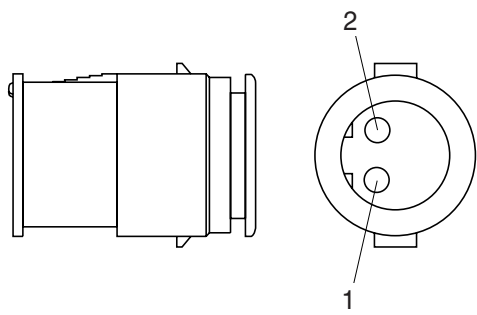
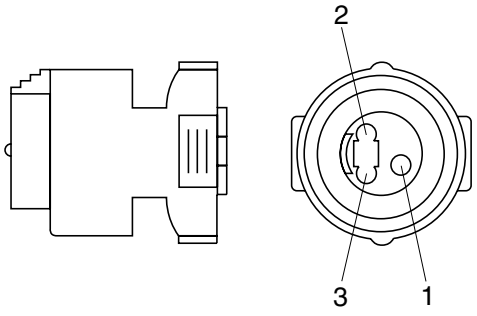
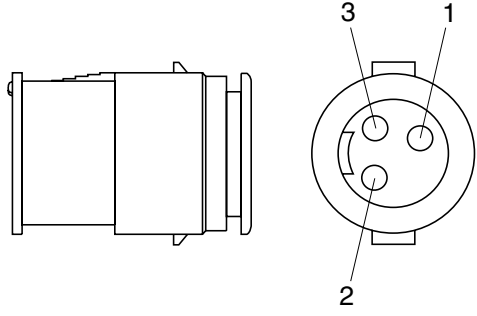
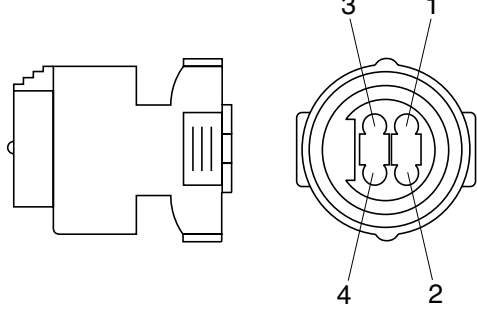
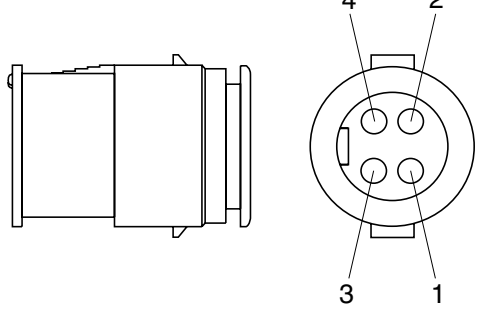
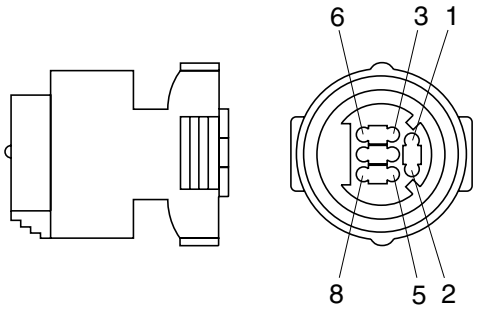
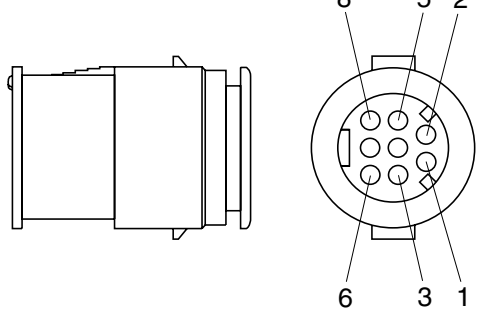
2. CONNECTION TABLE FOR CONNECTORS

1) PA TYPE CONNECTOR

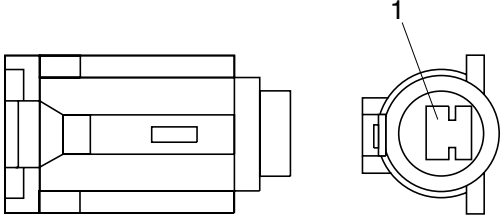
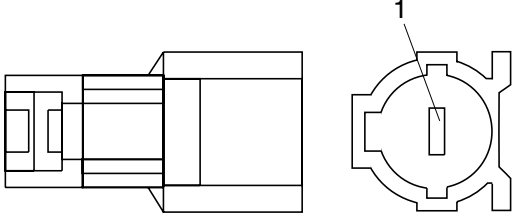
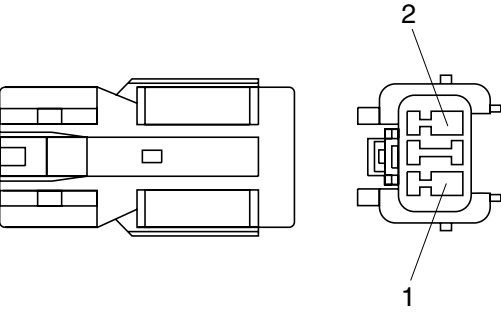
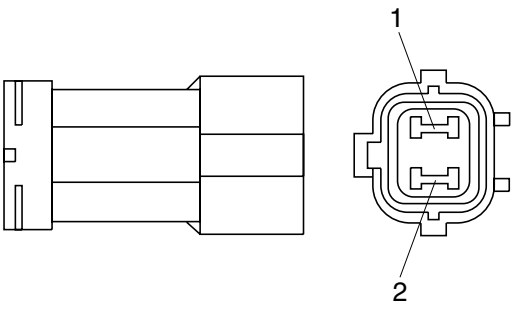
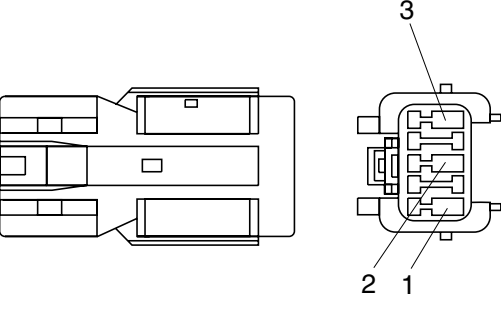
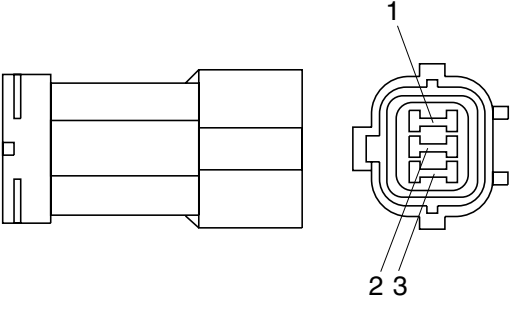
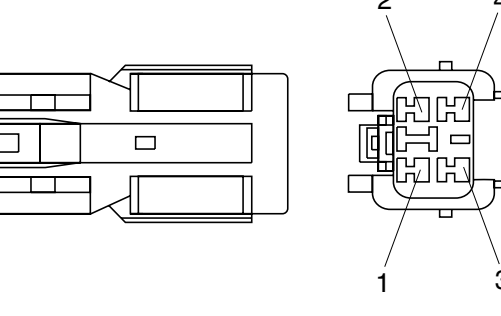
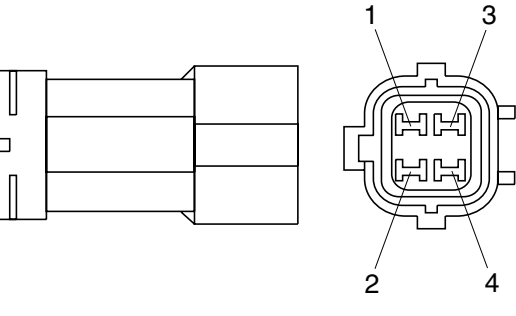
| No. of pin | Receptacle connector (female) | Plug connector (male) |
|------------|--|--|
| 5 |  <p style="text-align: center;">S811-005002</p> |  <p style="text-align: center;">S811-105002</p> |
| 7 |  <p style="text-align: center;">S811-007002</p> |  <p style="text-align: center;">S811-107002</p> |
| 9 |  <p style="text-align: center;">S811-009002</p> |  <p style="text-align: center;">3S811-109002</p> |
| 11 |  <p style="text-align: center;">S811-011002</p> |  <p style="text-align: center;">S811-111002</p> |

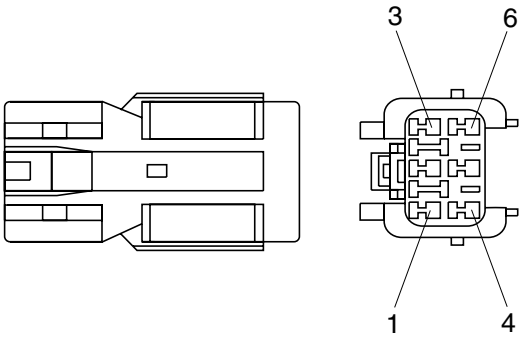
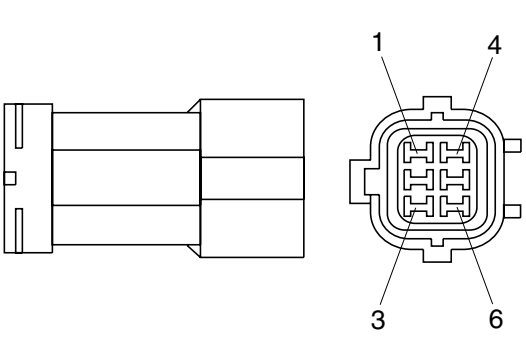
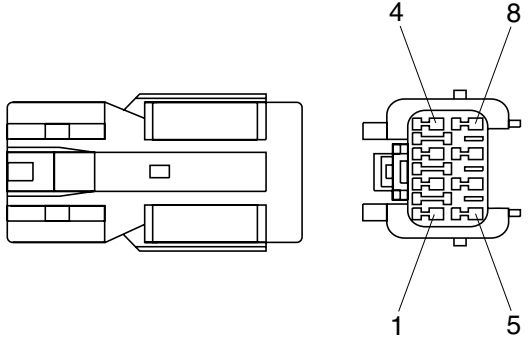
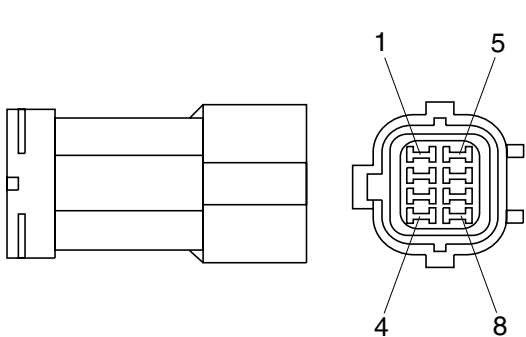
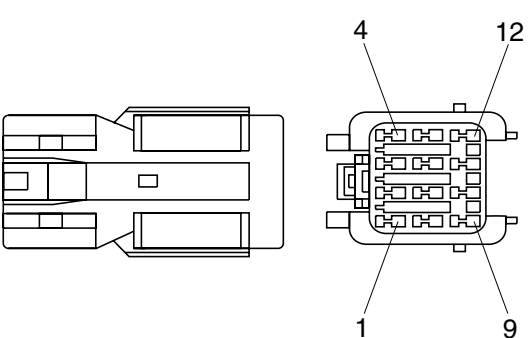
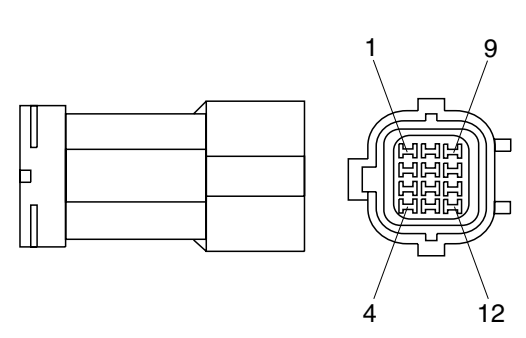
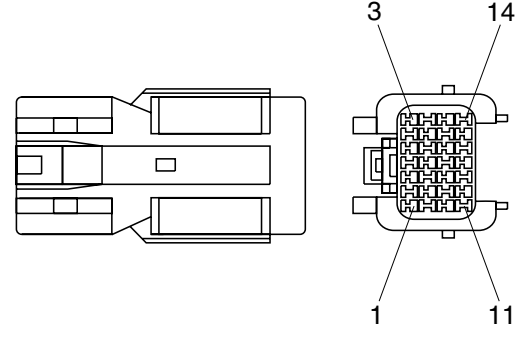
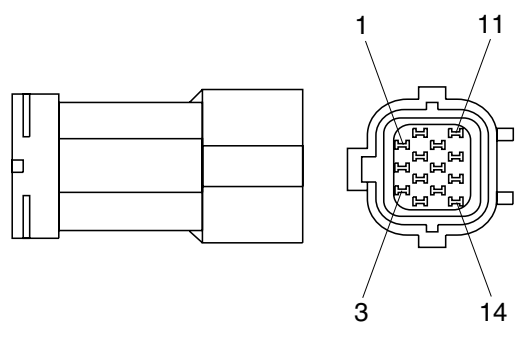
| No. of pin | Receptacle connector (female) | Plug connector (male) |
|------------|--|---|
| 13 |  <p style="text-align: center;">S811-013002</p> |  <p style="text-align: center;">S811-113002</p> |
| 17 |  <p style="text-align: center;">S811-017002</p> |  <p style="text-align: center;">S811-117002</p> |
| 21 |  <p style="text-align: center;">S811-021002</p> |  <p style="text-align: center;">S811-121002</p> |

2) J TYPE CONNECTOR

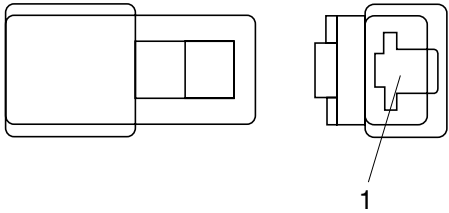
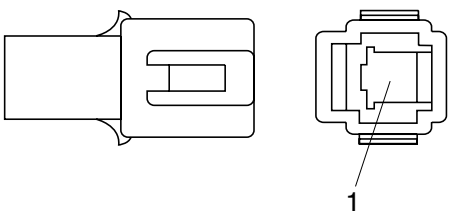
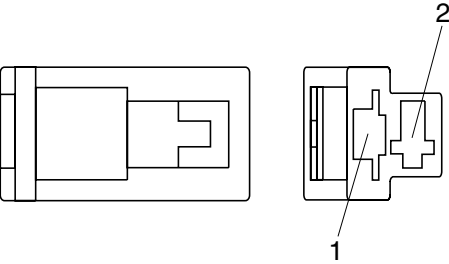
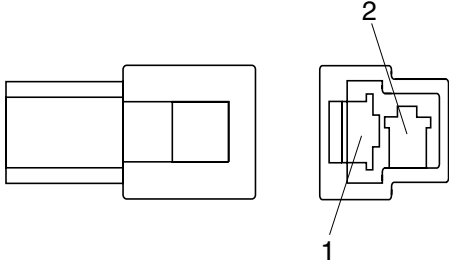
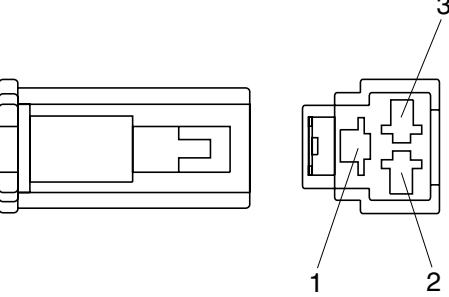
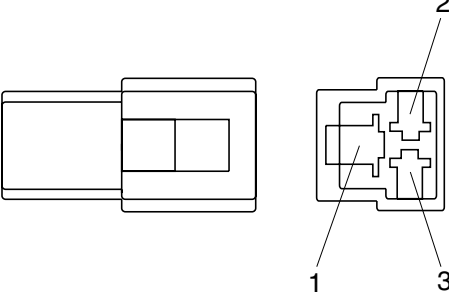
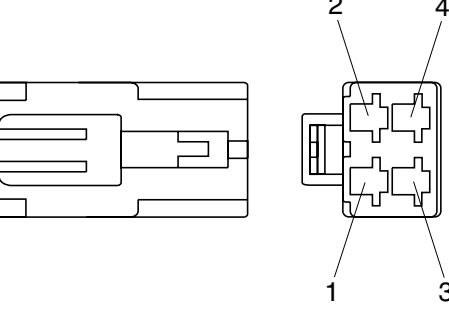
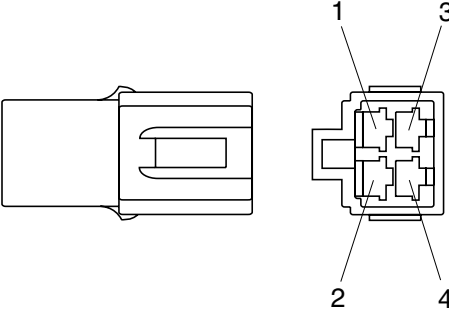
| No. of pin | Receptacle connector (female) | Plug connector (male) |
|------------|--|---|
| 2 |  <p style="text-align: center;">S816-002001</p> |  <p style="text-align: center;">S816-102001</p> |
| 3 |  <p style="text-align: center;">S816-003001</p> |  <p style="text-align: center;">S816-103001</p> |
| 4 |  <p style="text-align: center;">S816-004001</p> |  <p style="text-align: center;">S816-104001</p> |
| 8 |  <p style="text-align: center;">S816-008001</p> |  <p style="text-align: center;">S816-108001</p> |

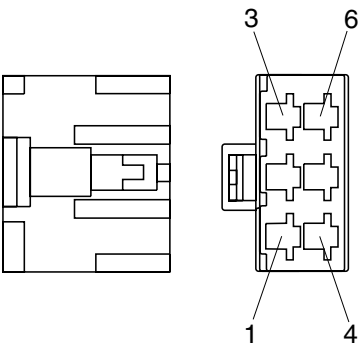
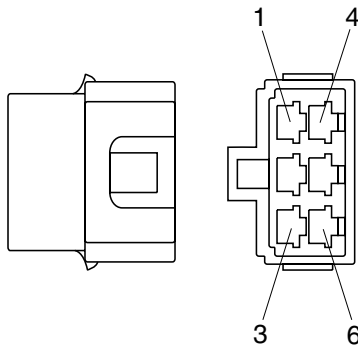
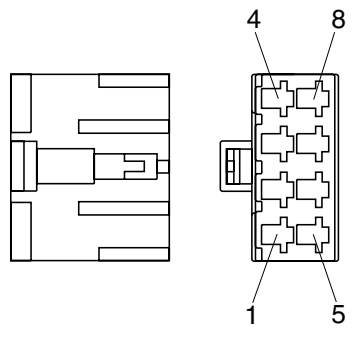
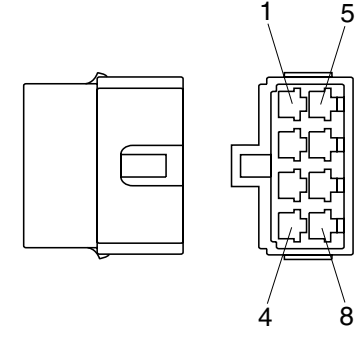
3) SWP TYPE CONNECTOR

| No. of pin | Receptacle connector (female) | Plug connector (male) |
|------------|--|---|
| 1 |  <p data-bbox="687 685 836 712">S814-001000</p> |  <p data-bbox="1241 685 1390 712">S814-101000</p> |
| 2 |  <p data-bbox="687 1088 836 1115">S814-002000</p> |  <p data-bbox="1241 1088 1390 1115">S814-102000</p> |
| 3 |  <p data-bbox="687 1498 836 1525">S814-003000</p> |  <p data-bbox="1241 1498 1390 1525">S814-103000</p> |
| 4 |  <p data-bbox="687 1908 836 1935">S814-004000</p> |  <p data-bbox="1241 1908 1390 1935">S814-104000</p> |

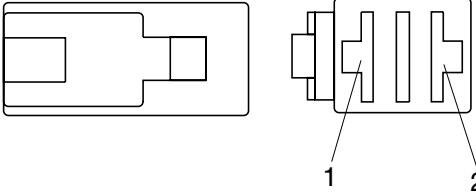
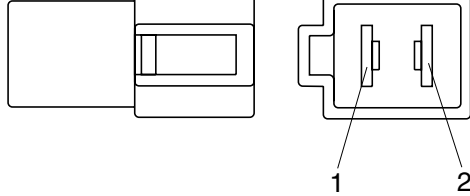
| No. of pin | Receptacle connector (female) | Plug connector (male) |
|------------|--|---|
| 6 |  <p data-bbox="686 638 837 672">S814-006000</p> |  <p data-bbox="1236 638 1388 672">S814-106000</p> |
| 8 |  <p data-bbox="686 1048 837 1081">S814-008000</p> |  <p data-bbox="1236 1048 1388 1081">S814-108000</p> |
| 12 |  <p data-bbox="686 1458 837 1491">S814-012000</p> |  <p data-bbox="1236 1458 1388 1491">S814-112000</p> |
| 14 |  <p data-bbox="686 1868 837 1901">S814-014000</p> |  <p data-bbox="1236 1868 1388 1901">S814-114000</p> |

4) CN TYPE CONNECTOR

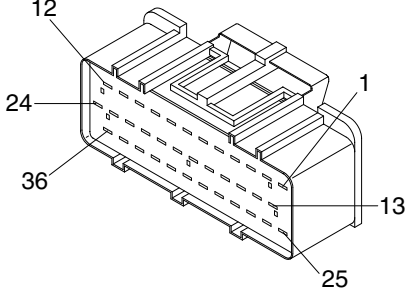
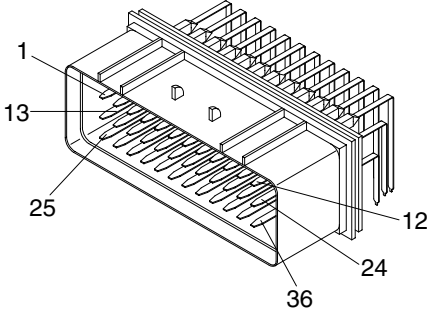
| No. of pin | Receptacle connector (female) | Plug connector (male) |
|------------|--|---|
| 1 |  <p style="text-align: center;">S810-001202</p> |  <p style="text-align: center;">S810-101202</p> |
| 2 |  <p style="text-align: center;">S810-002202</p> |  <p style="text-align: center;">S810-102202</p> |
| 3 |  <p style="text-align: center;">S810-003202</p> |  <p style="text-align: center;">S810-103202</p> |
| 4 |  <p style="text-align: center;">S810-004202</p> |  <p style="text-align: center;">S810-104202</p> |

| No. of pin | Receptacle connector (female) | Plug connector (male) |
|------------|---|--|
| 6 |  <p data-bbox="686 638 837 672">S810-006202</p> |  <p data-bbox="1244 638 1396 672">S810-106202</p> |
| 8 |  <p data-bbox="686 1041 837 1075">S810-008202</p> |  <p data-bbox="1244 1041 1396 1075">S810-108202</p> |

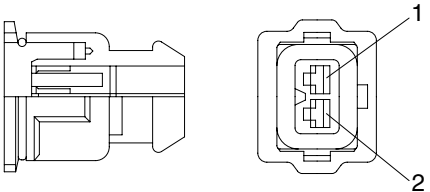
5) 375 FASTEN TYPE CONNECTOR

| No. of pin | Receptacle connector (female) | Plug connector (male) |
|------------|--|---|
| 2 |  <p style="text-align: center;">S810-002402</p> |  <p style="text-align: center;">S810-102402</p> |

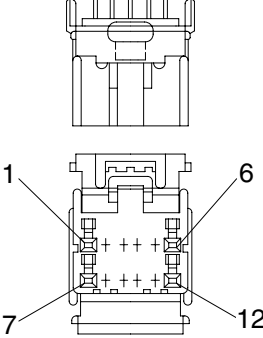
6) AMP ECONOSEAL CONNECTOR

| No. of pin | Receptacle connector (female) | Plug connector (male) |
|------------|--|---|
| 36 |  <p style="text-align: center;">344111-1</p> |  <p style="text-align: center;">344108-1</p> |

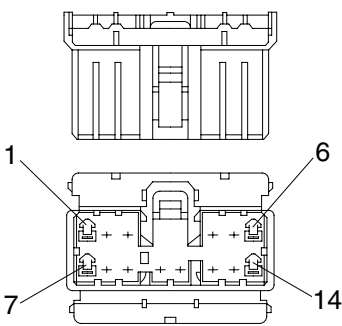
7) AMP TIMER CONNECTOR

| No. of pin | Receptacle connector (female) | Plug connector (male) |
|------------|--|-----------------------|
| 2 |  <p style="text-align: center;">85202-1</p> | |

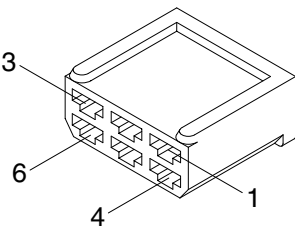
8) AMP 040 MULTILOCK CONNECTOR

| No. of pin | Receptacle connector (female) | Plug connector (male) |
|------------|--|-----------------------|
| 12 |  <p style="text-align: right;">174045-2</p> | |

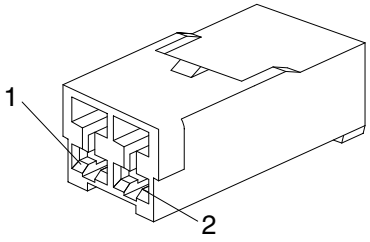
9) AMP 070 MULTILOCK CONNECTOR

| No. of pin | Receptacle connector (female) | Plug connector (male) |
|------------|---|-----------------------|
| 14 |  <p style="text-align: right;">173852</p> | |

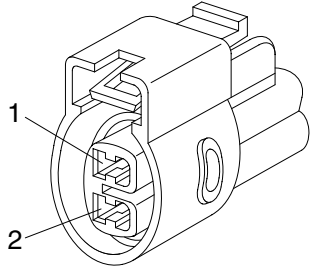
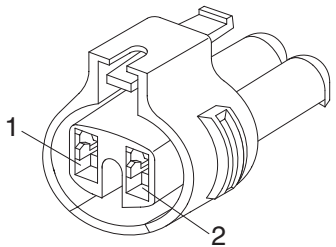
10) AMP FASTIN - FASTON CONNECTOR

| No. of pin | Receptacle connector (female) | Plug connector (male) |
|------------|--|-----------------------|
| 6 |  <p style="text-align: right;">925276-0</p> | |

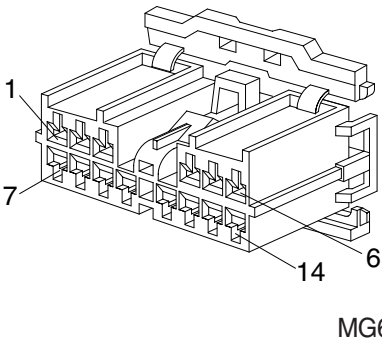
11) KET 090 CONNECTOR

| No. of pin | Receptacle connector (female) | Plug connector (male) |
|------------|--|-----------------------|
| 2 |  <p style="text-align: right;">MG610070</p> | |

12) KET 090 WP CONNECTORS

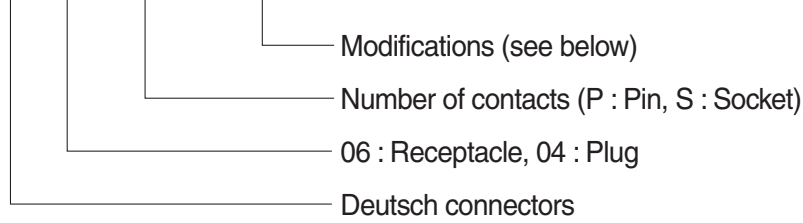
| No. of pin | Receptacle connector (female) | Plug connector (male) |
|------------|--|-----------------------|
| 2 |  <p style="text-align: right;">MG640605</p> | |
| 2 |  <p style="text-align: right;">MG640795</p> | |

13) KET SDL CONNECTOR

| No. of pin | Receptacle connector (female) | Plug connector (male) |
|------------|--|-----------------------|
| 14 |  <p style="text-align: right;">MG610406</p> | |

14) DEUTSCH DT CONNECTORS

DT 06 - 3S - ★★☆☆



※ Modification

E003 : Standard end cap - gray

E004 : Color of connector to be black

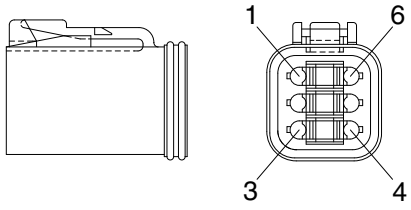
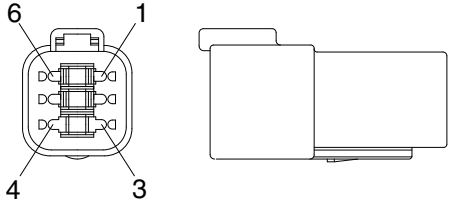
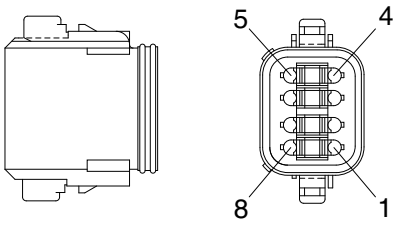
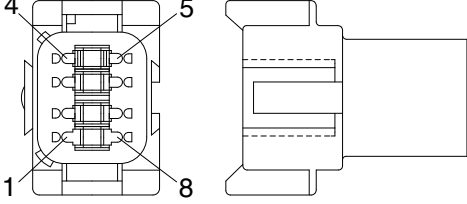
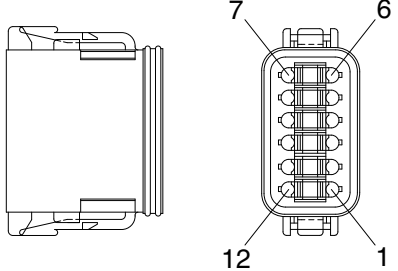
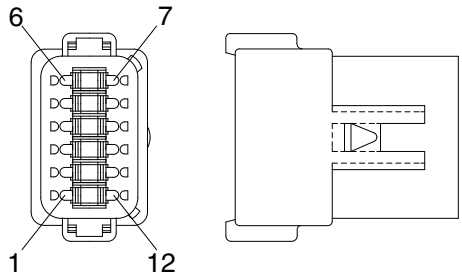
E005 : Combination - E004 & E003

EP04 : End cap

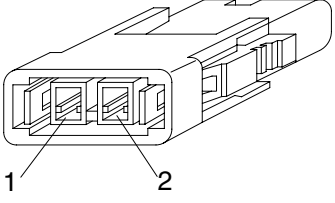
EP06 : Combination P012 & EP04

P012 : Front seal enhancement - connectors color to black for 2, 3, 4 & 6pin

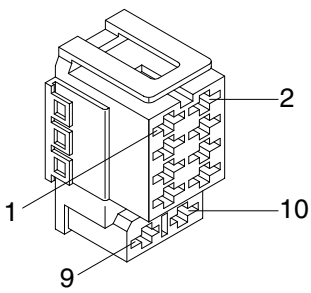
| No. of pin | Receptacle connector (female) | Plug connector (male) |
|------------|-------------------------------|-----------------------|
| 2 | <p>DT06-2S</p> | <p>DT04-2P</p> |
| 3 | <p>DT06-3S</p> | <p>DT04-3P</p> |
| 4 | <p>DT06-4S</p> | <p>DT04-4P</p> |

| No. of pin | Receptacle connector (female) | Plug connector (male) |
|------------|---|--|
| 6 |  <p style="text-align: center;">DT06-6S</p> |  <p style="text-align: center;">DT04-6P</p> |
| 8 |  <p style="text-align: center;">DT06-8S</p> |  <p style="text-align: center;">DT04-8P</p> |
| 12 |  <p style="text-align: center;">DT06-12S</p> |  <p style="text-align: center;">DT04-12P</p> |

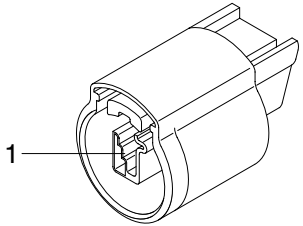
15) MOLEX 2CKTS CONNECTOR

| No. of pin | Receptacle connector (female) | Plug connector (male) |
|------------|---|-----------------------|
| 2 |  <p data-bbox="702 683 837 712">35215-0200</p> | |

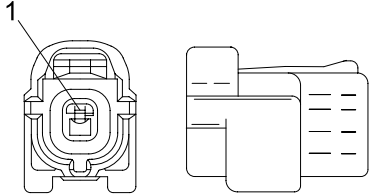
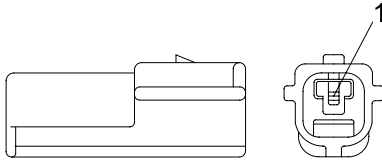
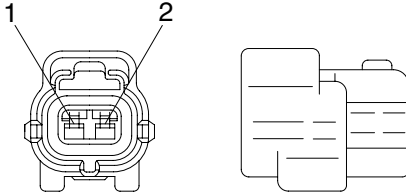
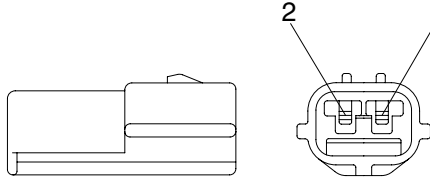
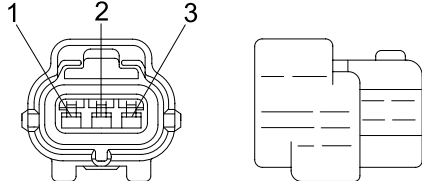
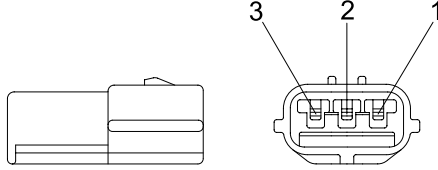
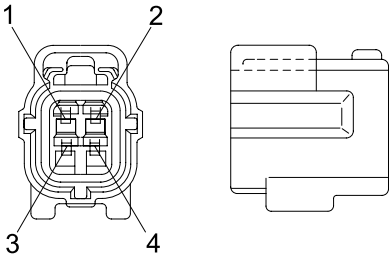
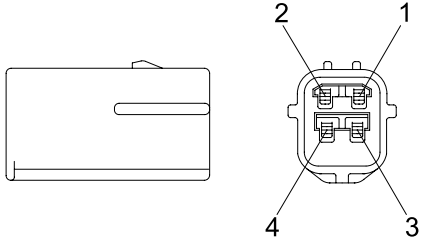
16) ITT SWF CONNECTOR

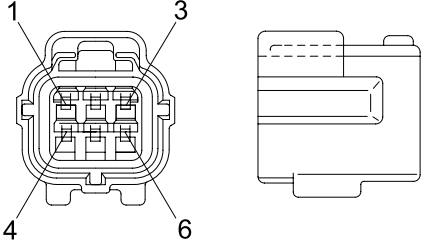
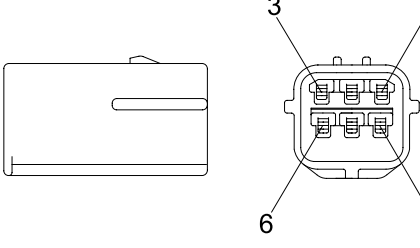
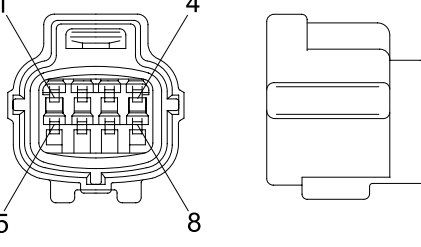
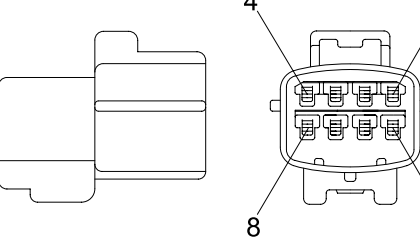
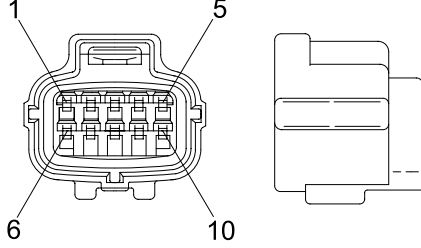
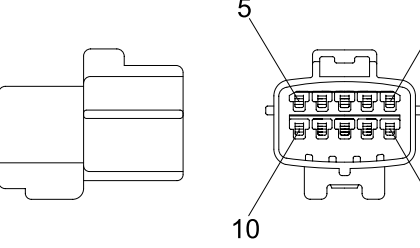
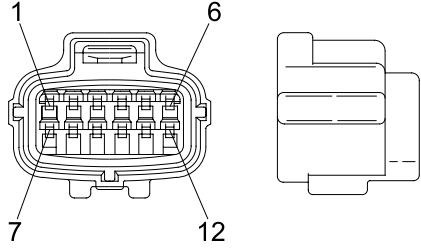
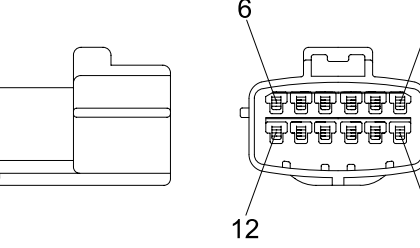
| No. of pin | Receptacle connector (female) | Plug connector (male) |
|------------|---|-----------------------|
| 10 |  <p data-bbox="694 1288 837 1317">SWF593757</p> | |

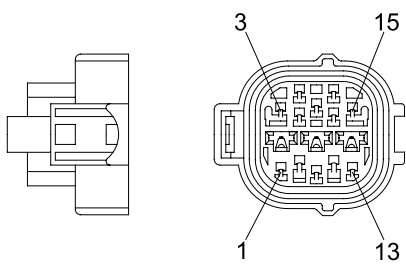
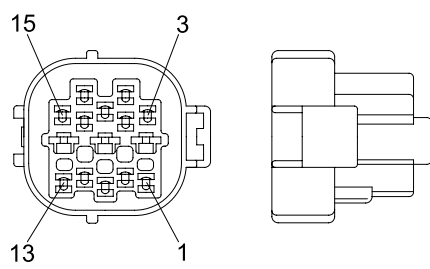
17) MWP NMWP CONNECTOR

| No. of pin | Receptacle connector (female) | Plug connector (male) |
|------------|--|-----------------------|
| 1 |  <p data-bbox="686 1892 837 1921">NMWP01F-B</p> | |

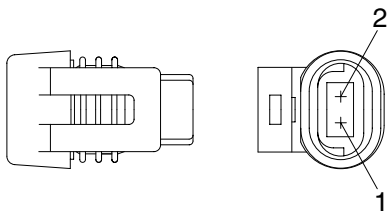
18) ECONOSEAL J TYPE CONNECTORS

| No. of pin | Receptacle connector (female) | Plug connector (male) |
|------------|---|---|
| 1 |  <p style="text-align: right;">S816-001002</p> |  <p style="text-align: left;">S816-101002</p> |
| 2 |  <p style="text-align: right;">S816-002002</p> |  <p style="text-align: left;">S816-102002</p> |
| 3 |  <p style="text-align: right;">S816-003002</p> |  <p style="text-align: left;">S816-103002</p> |
| 4 |  <p style="text-align: right;">S816-004002</p> |  <p style="text-align: left;">S816-104002</p> |

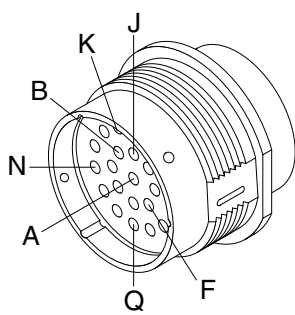
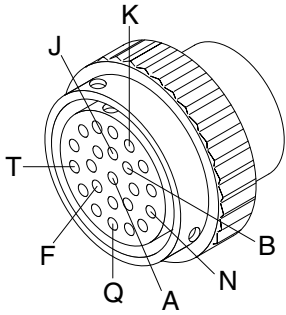
| No. of pin | Receptacle connector (female) | Plug connector (male) |
|------------|--|---|
| 6 |  <p style="text-align: center;">S816-006002</p> |  <p style="text-align: center;">S816-106002</p> |
| 8 |  <p style="text-align: center;">S816-008002</p> |  <p style="text-align: center;">S816-108002</p> |
| 10 |  <p style="text-align: center;">S816-010002</p> |  <p style="text-align: center;">S816-110002</p> |
| 12 |  <p style="text-align: center;">S816-012002</p> |  <p style="text-align: center;">S816-112002</p> |

| No. of pin | Receptacle connector (female) | Plug connector (male) |
|------------|---|---|
| 15 |  <p data-bbox="730 638 837 672">368301-1</p> |  <p data-bbox="1276 638 1383 672">2-85262-1</p> |

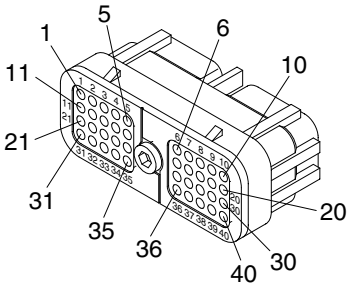
19) METRI-PACK TYPE CONNECTOR

| No. of pin | Receptacle connector (female) | Plug connector (male) |
|------------|--|-----------------------|
| 2 |  <p data-bbox="726 1243 833 1276">12040753</p> | |

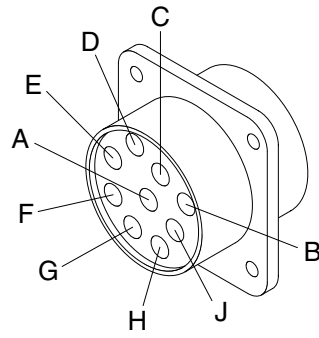
20) DEUTSCH HD30 CONNECTOR

| No. of pin | Receptacle connector (female) | Plug connector (male) |
|------------|---|--|
| 23 |  <p data-bbox="662 1848 837 1881">HD36-24-23SN</p> |  <p data-bbox="1220 1848 1396 1881">HD34-24-23PN</p> |

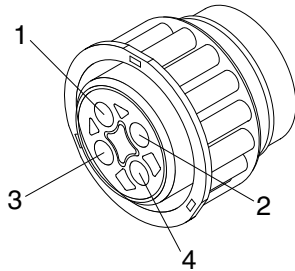
21) DEUTSCH MCU CONNECTOR

| No. of pin | Receptacle connector (female) | Plug connector (male) |
|------------|--|-----------------------|
| 40 |  <p style="text-align: right;">DRC26-40SA/B</p> | |

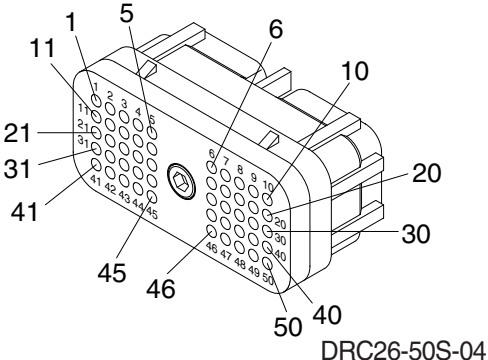
22) DEUTSCH SERVICE TOOL CONNECTOR

| No. of pin | Receptacle connector (female) | Plug connector (male) |
|------------|---|-----------------------|
| 9 |  <p style="text-align: right;">HD10-9-96P</p> | |

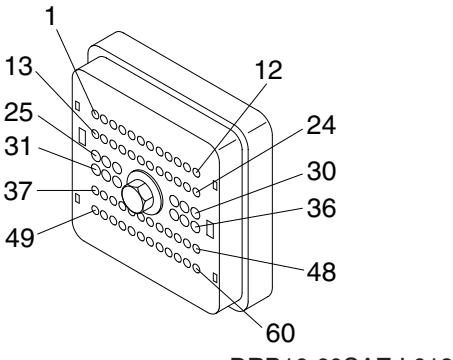
23) AMP FUEL WARMER CONNECTOR

| No. of pin | Receptacle connector (female) | Plug connector (male) |
|------------|--|-----------------------|
| 4 |  <p style="text-align: right;">2-967325-3</p> | |

24) DEUTSCH ENGINE ECM CONNECTOR

| No. of pin | Receptacle connector (female) | Plug connector (male) |
|------------|--|-----------------------|
| 50 |  <p style="text-align: right;">DRC26-50S-04</p> | |

25) DEUTSCH INTERMEDIATE CONNECTOR

| No. of pin | Receptacle connector (female) | Plug connector (male) |
|------------|---|-----------------------|
| 60 |  <p style="text-align: right;">DRB16-60SAE-L018</p> | |