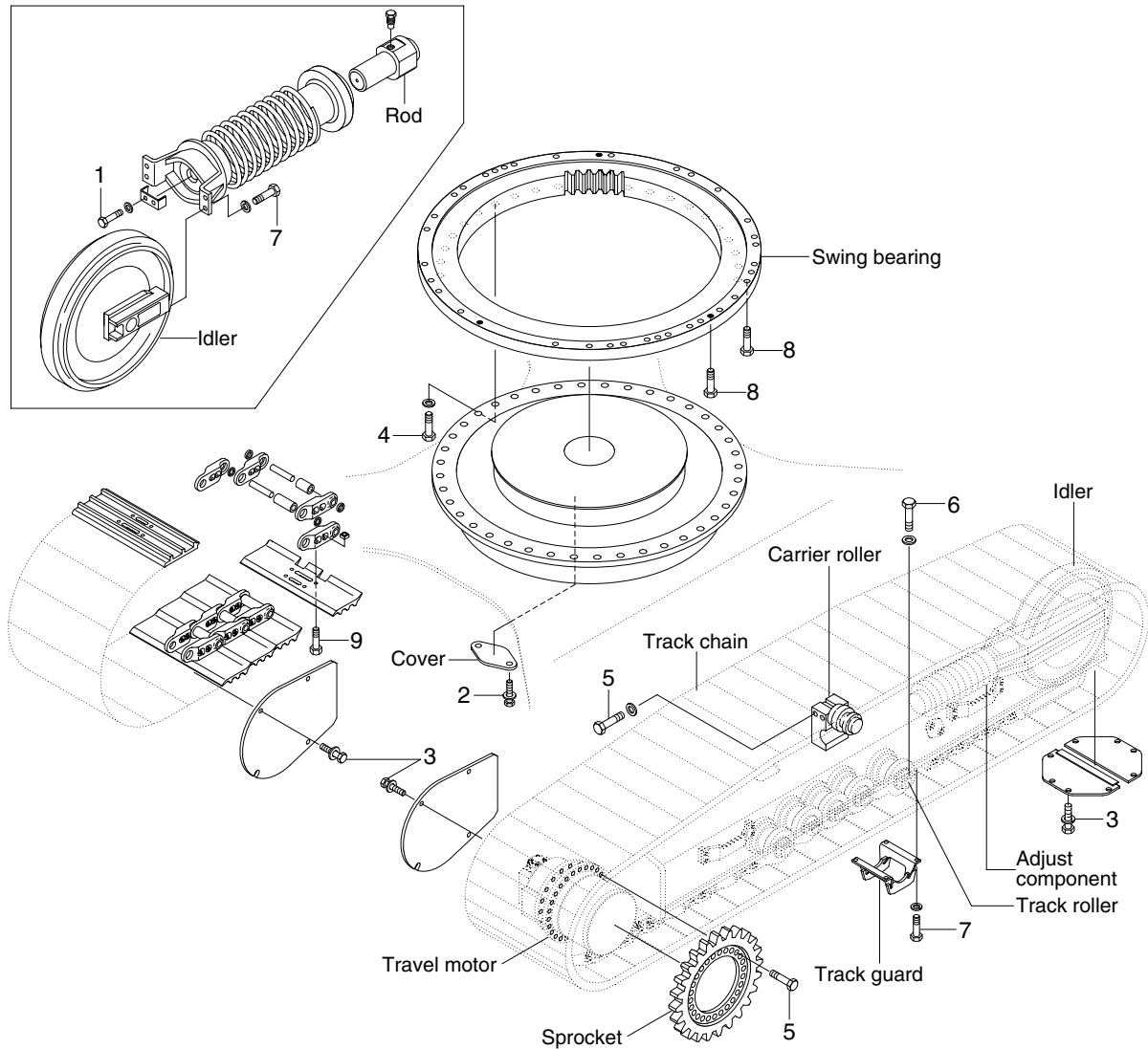


GROUP 5 UNDERCARRIAGE

ADJUST COMPONENT



1407A9CM08

· Tightening torque

Item	Size	kgf · m	lbf · ft
1	M 8 × 1.25	3.43 ± 0.7	24.8 ± 5.1
2	M10 × 1.5	6.9 ± 1.4	49.9 ± 10.1
3	M12 × 1.75	12.8 ± 3.0	92.6 ± 21.7
4	M16 × 1.5	31.3 ± 4.7	226 ± 34
5	M16 × 2.0	29.7 ± 4.5	215 ± 32.5

Item	Size	kgf · m	lbf · ft
6	M16 × 2.0	29.6 ± 3.2	214 ± 23.1
7	M16 × 2.0	21.9 ± 3.3	158 ± 23.9
8	M18 × 2.5	41.3 ± 6.2	299 ± 44.8
9	5/8"	42 ± 4.0	304 ± 29
-	-	-	-