

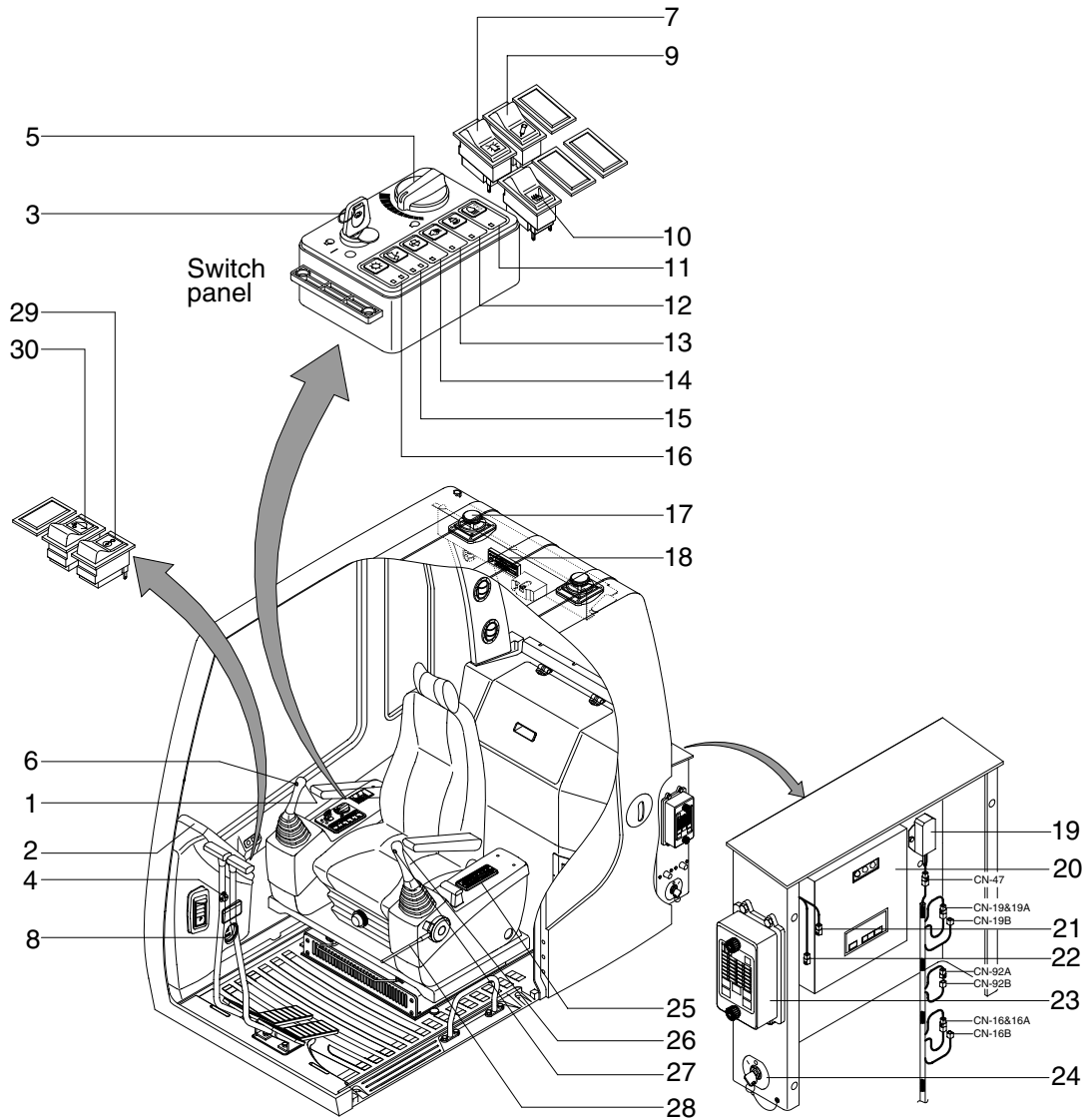
## SECTION 4 ELECTRICAL SYSTEM

Group 1 Component Location	4-1
Group 2 Electrical Circuit	4-3
Group 3 Electrical Component Specification	4-20
Group 4 Connectors	4-28

# SECTION 4 ELECTRICAL SYSTEM

## GROUP 1 COMPONENT LOCATION

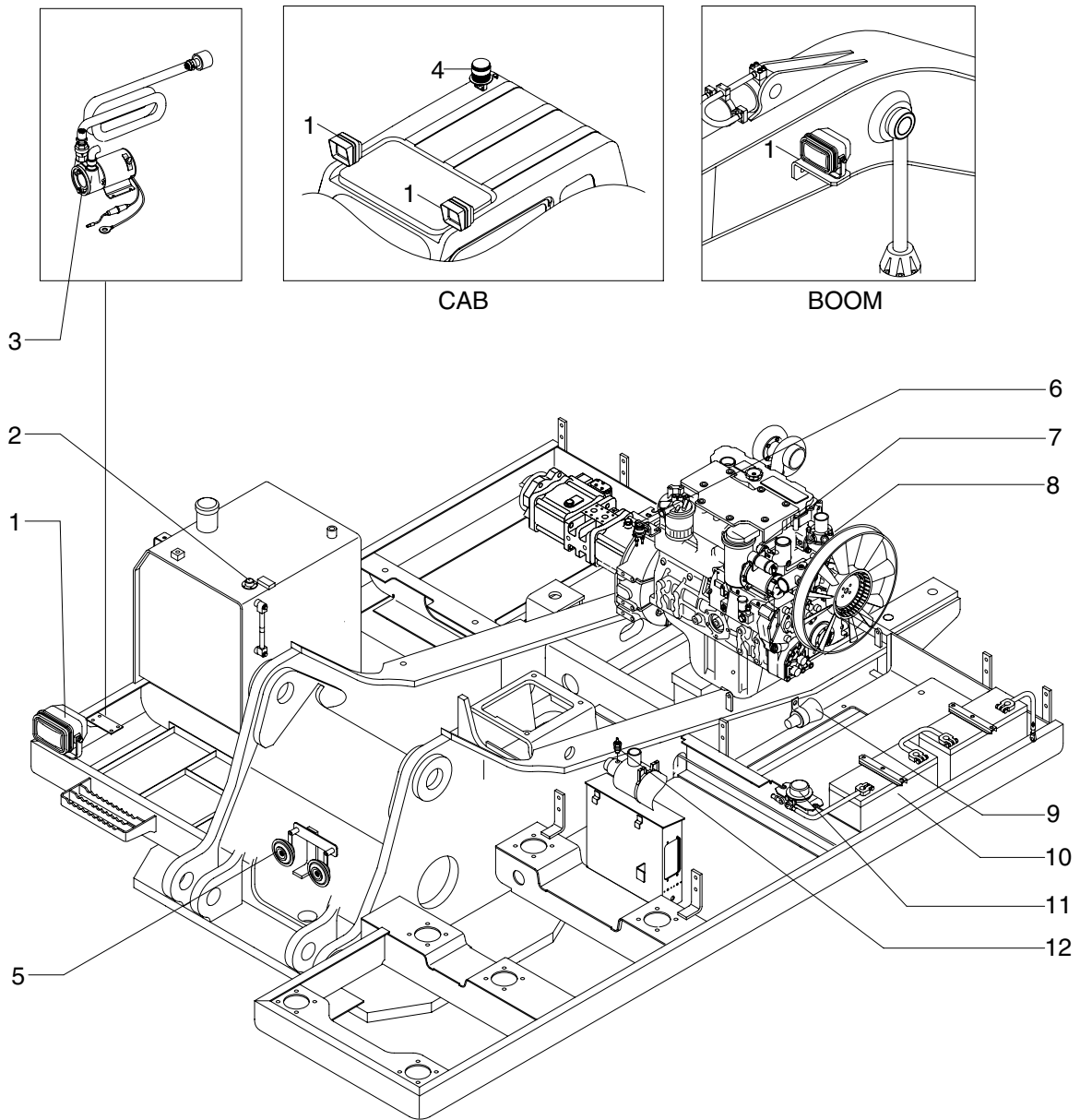
### 1. LOCATION 1



1407A4EL01

- |    |                          |    |                          |    |                               |
|----|--------------------------|----|--------------------------|----|-------------------------------|
| 1  | Horn switch              | 11 | Cab light switch         | 21 | RS232 serial connector        |
| 2  | Cluster                  | 12 | Travel alarm stop switch | 22 | J1939 serial connector        |
| 3  | Starting switch          | 13 | Preheat switch           | 23 | Fuse box                      |
| 4  | Cigar lighter            | 14 | Washer switch            | 24 | Master switch                 |
| 5  | Accel dial               | 15 | Wiper switch             | 25 | Air con & heater switch panel |
| 6  | Breaker operation switch | 16 | Main light switch        | 26 | One touch decel switch        |
| 7  | Beacon switch            | 17 | Speaker                  | 27 | Power max switch              |
| 8  | Service meter            | 18 | Cassette & radio         | 28 | Safety lever                  |
| 9  | Breaker selection switch | 19 | Prolinx resistor         | 29 | Overload switch               |
| 10 | Heated seat switch       | 20 | CPU controller           | 30 | Quick coupling switch         |

## 2. LOCATION 2



1407A4EL02

- |   |                  |   |              |    |                     |
|---|------------------|---|--------------|----|---------------------|
| 1 | Lamp             | 5 | Horn         | 9  | Travel alarm buzzer |
| 2 | Fuel sender      | 6 | Heater valve | 10 | Battery relay       |
| 3 | Fuel filler pump | 7 | Start relay  | 11 | Battery             |
| 4 | Beacon lamp      | 8 | Alternator   | 12 | Air cleaner switch  |