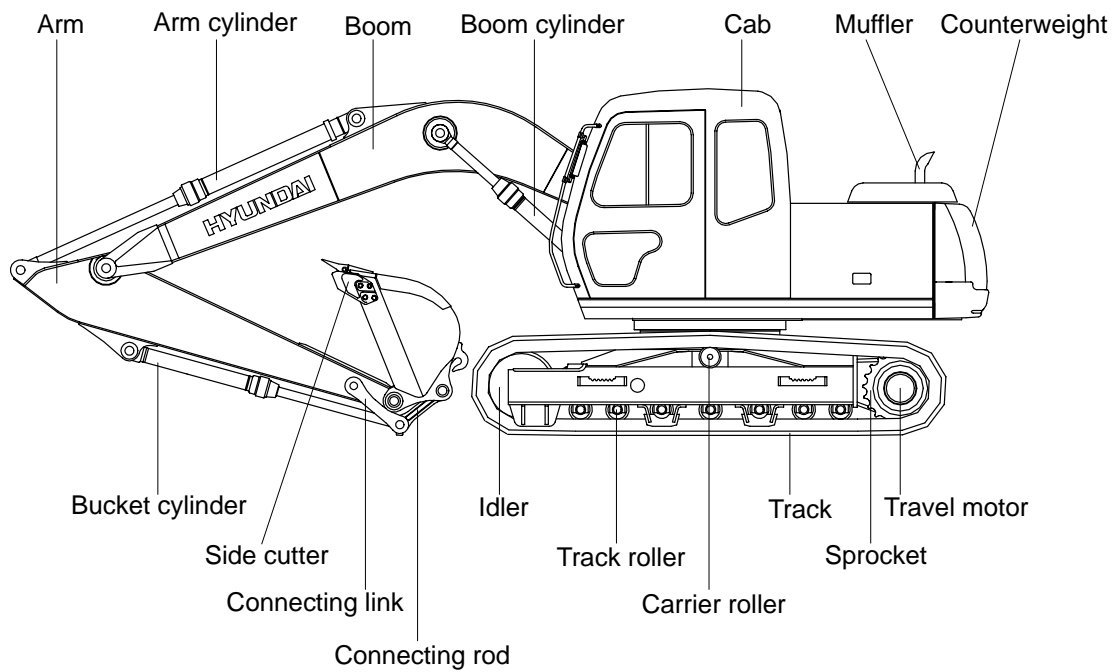
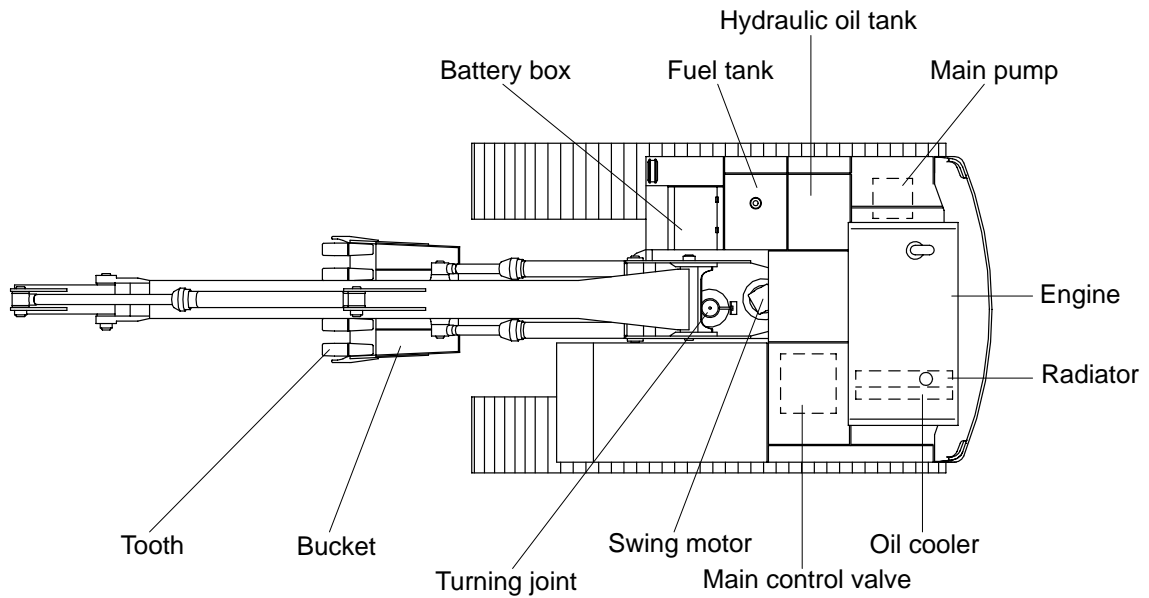


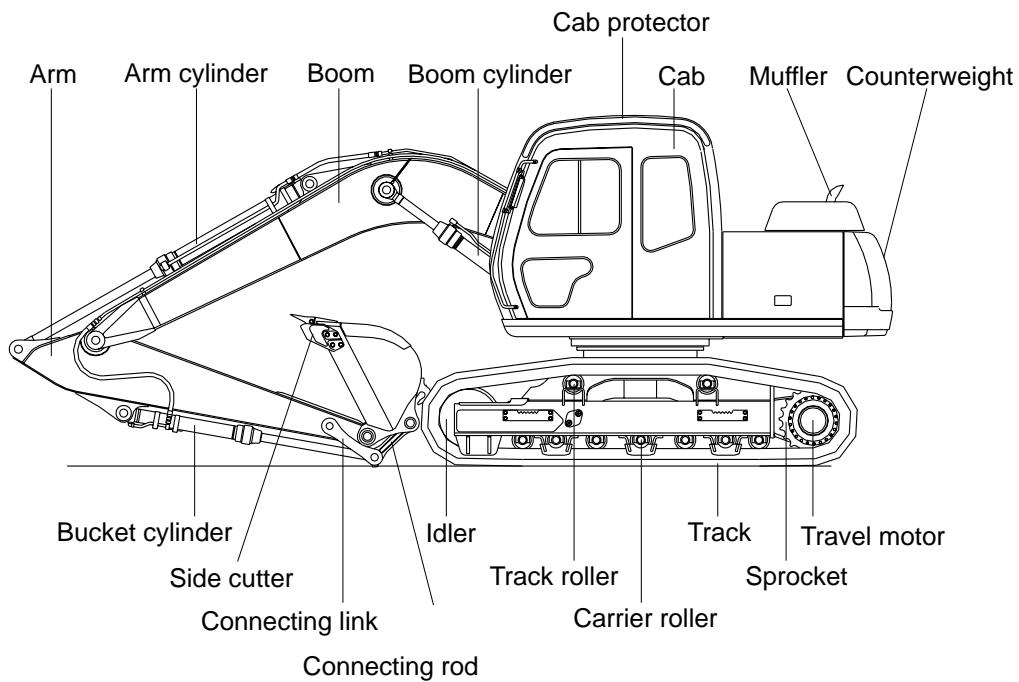
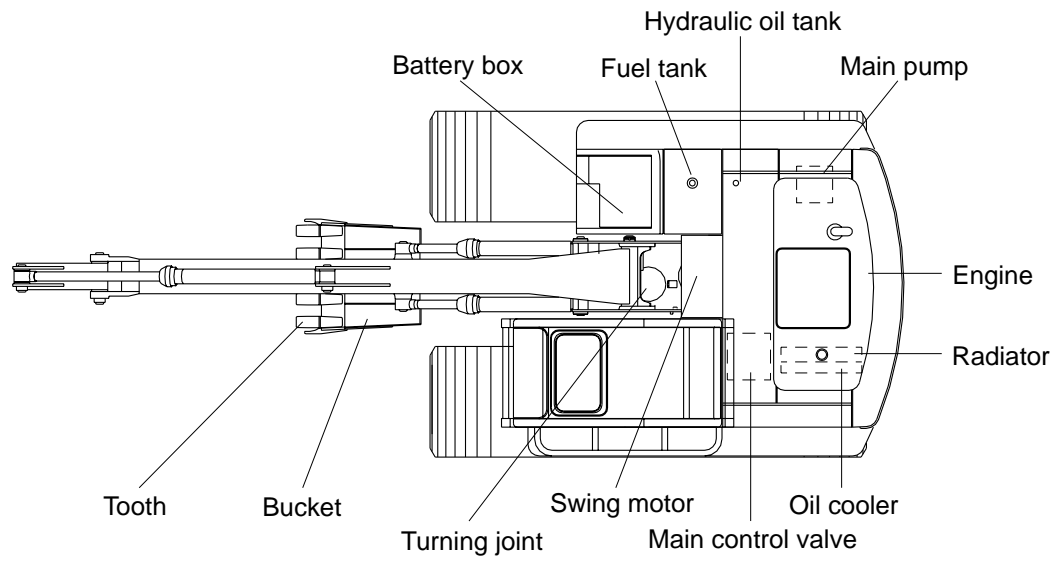
## GROUP 2 SPECIFICATIONS

### 1. MAJOR COMPONENT

#### 1) ROBEX 130LC-3

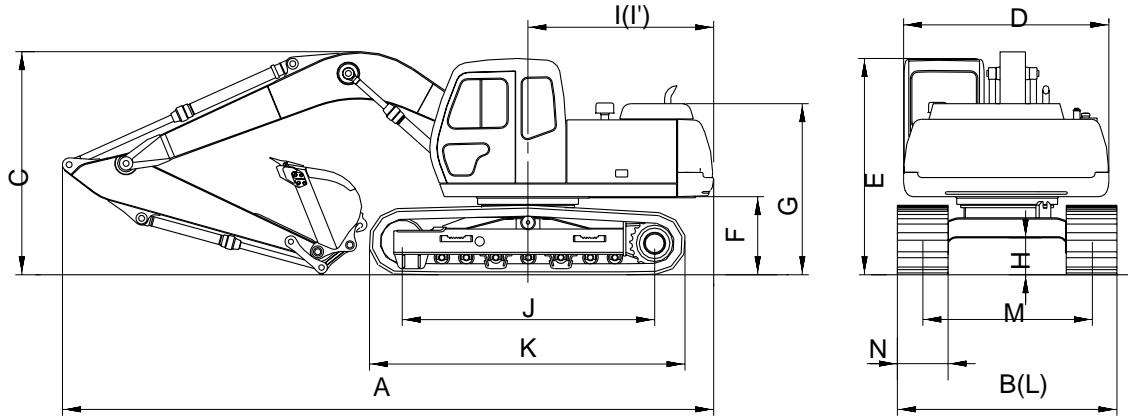


## 2) ROBEX 130LCM-3



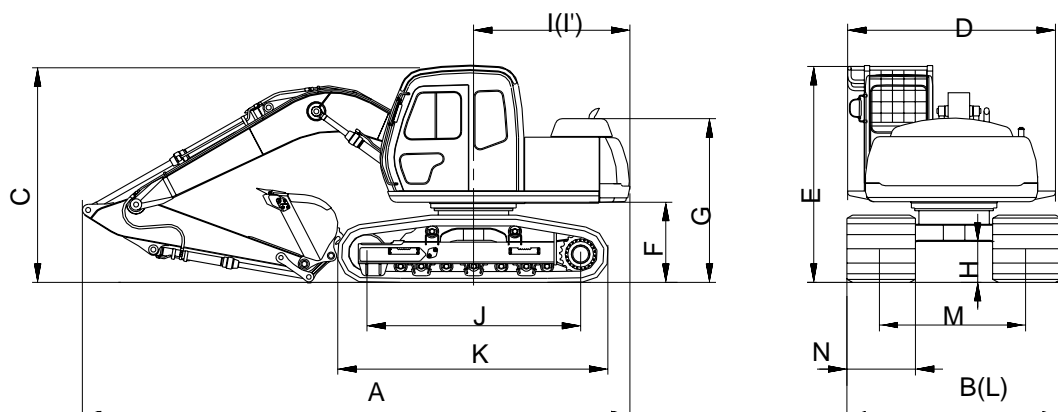
## 2. SPECIFICATIONS

### 1) ROBEX 130LC-3



Description		Unit	Specification
Operating weight		kg (lb)	13800 (30400)
Bucket capacity(PCSA heaped), standard		m <sup>3</sup> (yd <sup>3</sup> )	0.51 (0.67)
Overall length	A	mm (ft-in)	7720 (25' 4")
Overall width, with 600mm shoe.	B		2600 (8' 6")
Overall height	C		2740 (9' 0")
Superstructure width	D		2410 (7' 11")
Cab height	E		2740 (9' 0")
Ground clearance of counterweight	F		935 (3' 1")
Engine cover height	G		1995 (6' 6")
Minimum ground clearance	H		440 (1' 5")
Rear-end distance	I		2200 (7' 3")
Rear-end swing radius	I'		2350 (7' 9")
Distance between tumblers	J		3000 (9' 10")
Undercarriage length	K		3750 (12' 4")
Undercarriage width	L		2600 (8' 6")
Track gauge	M		2000 (6' 7")
Track shoe width, standard	N		600 (24")
Travel speed (low/high)		km/hr (mph)	3.2/5.2 (2.0/3.2)
Swing speed		rpm	13.6
Gradeability		degree (%)	40 (84)
Ground pressure(600 mm shoe)		kg/cm <sup>2</sup> (psi)	0.35 (5.0)

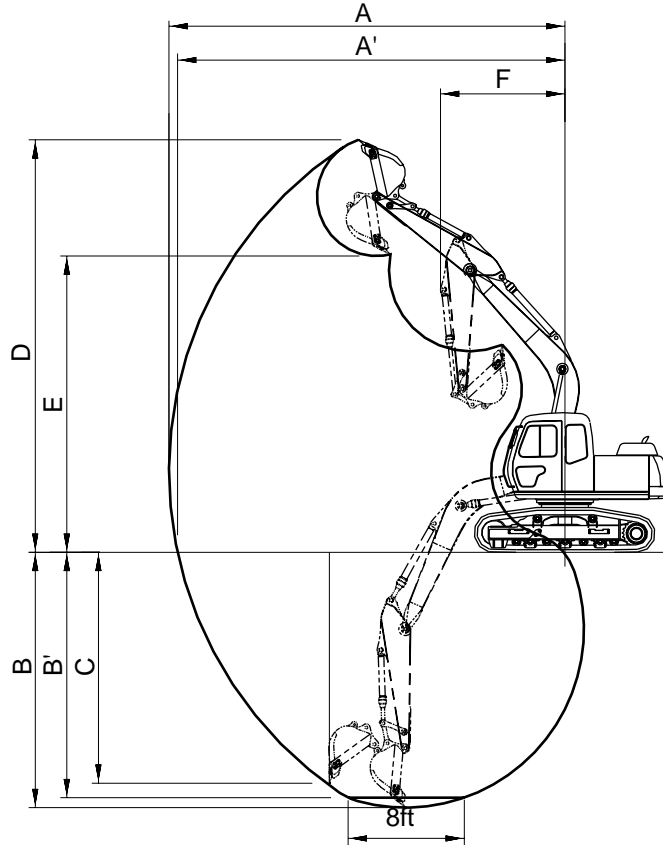
## 2) ROBEX 130LCM-3



Description		Unit	Specification
Operating weight		kg (lb)	15400 (33950)
Bucket capacity(PCSA heaped) , standard		m <sup>3</sup> (yd <sup>3</sup> )	0.51 (0.67)
Overall length	A	mm (ft-in)	7670 (25' 2")
Overall width, with 960mm shoe	B		3000 (9' 10")
Overall height	C		2760 (9' 1")
Superstructure width	D		2910 (9' 7")
Cab height	E		2925 (9' 7")
Ground clearance of counterweight	F		1125 (3' 8")
Engine cover height	G		2175 (7' 2")
Minimum ground clearance	H		575 (1' 11")
Rear-end distance	I		2200 (7' 3")
Rear-end swing radius	I'		2350 (7' 9")
Distance between tumblers	J		3000 (9' 10")
Undercarriage length	K		3800 (12' 6")
Undercarriage width	L		3000 (9' 10")
Track gauge	M		2040 (6' 8")
Track shoe width, standard	N		960 (38")
Travel speed (low/high)		km/hr (mph)	3.2/5.2 (2.0/3.2)
Swing speed		rpm	13.6
Gradeability		degree (%)	40 (84)
Ground pressure(960 mm shoe)		kg/cm <sup>2</sup> (psi)	0.24 (3.41)

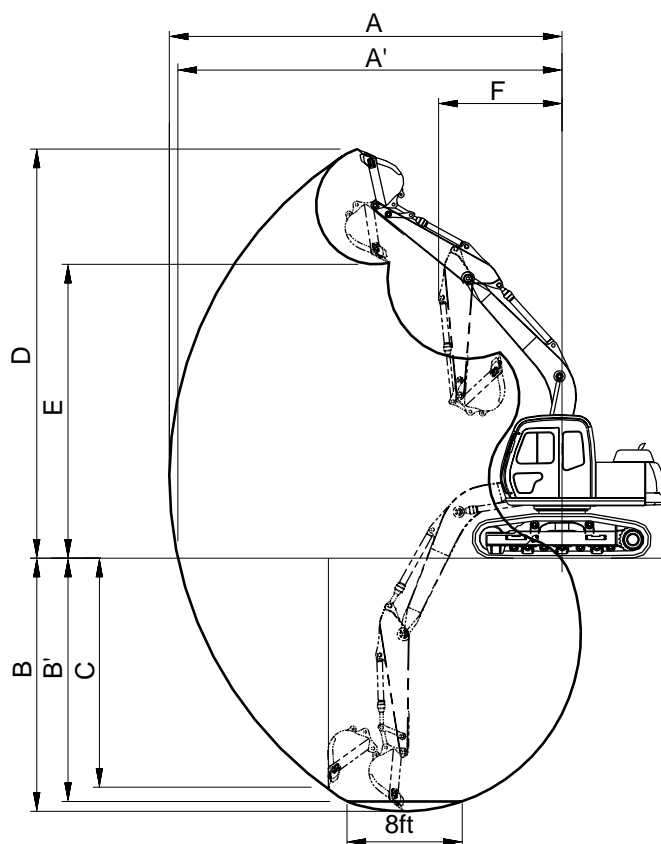
### 3. WORKING RANGE

#### 1) ROBEX 130LC-3



Description		1.9 m(6'3")Arm	2.1 m(6'11")Arm	2.5 m(8'2")Arm	3.0 m(9'10")Arm
Max. digging reach	A	7750 mm(25' 5")	7960 mm(26' 1")	8340 mm(27' 4")	8800 mm(28' 10")
Max. digging reach on ground	A'	7600 mm(24'11")	7810 mm(25' 7")	8200 mm(26' 11")	8670 mm(28' 5")
Max. digging depth	B	4970 mm(16' 4")	5200 mm(17' 1")	5600 mm(18' 4")	6100 mm(20' 0")
Max. digging depth (8ft level)	B'	4700 mm(15' 5")	4950 mm(16' 3")	5390 mm(17' 8")	5910 mm(19' 5")
Max. vertical wall depth	C	4460 mm(14' 8")	4580 mm(15' 0")	5080 mm(16' 7")	5600 mm(18' 4")
Max. digging height	D	8070 mm(26' 6")	8270 mm(27' 2")	8520 mm(27' 11")	8800 mm(28' 10")
Max. dumping height	E	5640 mm(18' 6")	5830 mm(19' 2")	6080 mm(19' 11")	6360 mm(20' 10")
Min. swing radius	F	2620 mm( 8' 7")	2620 mm( 8' 7")	2620 mm( 8' 7")	2650 mm( 8' 8")
Bucket digging force		80.4 kN	80.4 kN	80.4 kN	80.4 kN
		8200 kgf	8200 kgf	8200 kgf	8200 kgf
		18080 lbf	18080 lbf	18080 lbf	18080 lbf
Arm crowd force		72.5 kN	66.6 kN	59.8 kN	53.9 kN
		7400 kgf	6800 kgf	6100 kgf	5500 kgf
		16310 lbf	14990 lbf	13450 lbf	12130 lbf

## 2) ROBEX 130LCM-3



Description		1.9 m(6'3")Arm	2.1 m(6'11")Arm	2.5 m(8'2")Arm	3.0 m(9'10")Arm
Max. digging reach	A	7750 mm(25' 5")	7960 mm(26' 1")	8340 mm(27' 4")	8800 mm(28' 10")
Max. digging reach on ground	A'	7550 mm( 24' 9")	7750 mm(25' 5")	8160 mm(26' 9")	8660 mm(28' 5")
Max. digging depth	B	4790 mm(15' 9")	5020 mm(16' 6")	5420 mm(17' 9")	5920 mm(19' 5")
Max. digging depth (8ft level)	B'	4520 mm(14' 10")	4770 mm(15' 8")	5210 mm(17' 1")	5730 mm(18' 10")
Max. vertical wall depth	C	4280 mm(14' 1")	4400 mm(14' 5")	4900 mm(16' 1")	5420 mm(17' 9")
Max. digging height	D	8250 mm(27' 1")	8450 mm(27' 9")	8700 mm(28' 7")	8980 mm(29' 6")
Max. dumping height	E	5460 mm(17' 11")	6010 mm(19' 9")	6260 mm(20' 4")	6540 mm(21' 5")
Min. swing radius	F	2620 mm(8' 7")	2620 mm(8' 7")	2620 mm(8' 7")	2650 mm(8' 8")
Bucket digging force		80.4 kN	80.4 kN	80.4 kN	80.4 kN
		8200 kgf	8200 kgf	8200 kgf	8200 kgf
		18080 lbf	18080 lbf	18080 lbf	18080 lbf
Arm crowd force		72.5 kN	66.6 kN	59.8 kN	53.9 kN
		7400 kgf	6800 kgf	6100 kgf	5500 kgf
		16310 lbf	14990 lbf	13450 lbf	12130 lbf

#### 4. WEIGHT

Item	R130LC-3		R130LCM-3	
	kg	lb	kg	lb
Upperstructure assembly	6145	13550	6460	14240
Main frame weld assembly	1050	2310	1150	2540
Engine assembly	330	730	—	
Main pump assembly	85	190	—	
Main control valve assembly	105	230	—	
Swing motor assembly	110	240	—	
Hydraulic oil tank assembly	175	390	—	
Fuel tank assembly	95	210	—	
Counterweight	2400	5290	—	
Cab assembly	300	660	—	
Undercarriage assembly	5415	11940	6465	14650
Track frame weld assembly	1640	3620	1920	4230
Swing bearing	190	410	—	
Travel motor assembly	210	460	—	
Turning joint	40	80	—	
Track recoil spring and idler	195	420	—	
Idler	100	220	—	
Carrier roller	30	60	35	80
Track roller	35	80	—	
Track-chain assembly (600 mm triple grouser shoe)	1060	2340	1550	3420
Front attachment assembly (4.6 m boom, 2.5 m arm, 0.51 m <sup>3</sup> (PCSA heaped) bucket)	2040	4500	—	
4.6 m boom assembly	790	1740	—	
2.5 m arm assembly	380	840	—	
0.51 m <sup>3</sup> (PCSA heaped)	440	970	—	
Boom cylinder assembly	125	270	—	
Arm cylinder assembly	155	340	—	
Bucket cylinder assembly	100	210	—	
Bucket control rod assembly	40	80	—	













## 5. LIFTING CAPACITIES

### 1) ROBEX 130LC-3

(1) 4.6 m(15'1") boom, 1.9 m(6'3") arm equipped with 0.51 m<sup>3</sup>(PCSA heaped) bucket and 600 mm(24") triple grouser shoe.













-  : Rating over-front
-  : Rating over-side or 360 degree

Unit : kg(lb)

Load point height	Load radius										At max.reach		
	1.5 m(5'0")		3.0 m(10'0")		4.5 m(15'0")		6.0 m(20'0")		7.5 m(25'0")		Capacity		Reach
													m(ft)
6.0 m (20'0")					*3080 6790	*3080 6790					*2890 6370	2400 5290	5.98 (19.6)
4.5 m (15'0")					*3260 7190	*3260 7190					2850 6280	1820 4010	6.92 (22.7)
3.0 m (10'0")			*5740 12650	*5740 12650	*4050 8930	3580 7890	*3460 7630	2240 4940			2520 5560	1590 3510	7.37 (24.2)
1.5 m (5'0")			*8210 18100	6140 13540	*5020 11070	3340 7360	3420 7540	2150 4740			2430 5360	1520 3350	7.45 (24.4)
Ground line			*8020 17680	5900 13010	5230 11530	3180 7010	3340 7360	2070 4560			2560 5640	1600 3530	7.16 (23.5)
-1.5 m (-5'0")	*6550 14440	*6550 14440	*8770 19330	5900 13010	5180 11420	3130 6900					3020 6660	1890 4170	6.46 (21.2)
-3.0 m (-10'0")	*10610 23390	*10610 23390	*7510 16560	6030 13290	*4980 10980	3190 7030					*3340 7360	2780 6130	5.12 (16.8)

(2) 4.6 m(15'1") boom, 2.1 m(6'11") arm equipped with 0.51 m<sup>3</sup>(PCSA heaped) bucket and 600 mm(24") triple grouser shoe.













Unit : kg(lb)

Load point height	Load radius										At max.reach		
	1.5 m(5'0")		3.0 m(10'0")		4.5 m(15'0")		6.0 m(20'0")		7.5 m(25'0")		Capacity		Reach
													m(ft)
6.0 m (20'0")					*2870 6330	*2870 6330					*2770 6110	2270 5000	6.20 (20.3)
4.5 m (15'0")					*3080 6790	*3080 6790	*2650 5840	2320 5110			2740 6040	1750 3860	7.10 (23.3)
3.0 m (10'0")			*5340 11770	*5340 11770	*3880 8550	3600 7940	*3340 7360	2250 4960			2430 5360	1520 3350	7.54 (24.7)
1.5 m (5'0")			*8010 17660	6190 13650	*4880 10760	3350 7390	3420 7540	2150 4740			2350 5180	1460 3220	7.62 (25.0)
Ground line			*8240 18170	5890 12990	5220 11510	3170 6990	3330 7340	2060 4540			2460 5420	1530 3370	7.34 (24.1)
-1.5 m (-5'0")	*6260 13800	*6260 13800	*8860 19530	5860 12920	5150 11350	3100 6830	3300 7280	2040 4500			2860 6310	1790 3950	6.66 (21.9)
-3.0 m (-10'0")	*9980 22000	*9980 22000	*7750 17090	5970 13160	*5130 11310	3150 6940					*3370 7430	2540 5600	5.38 (17.7)















(3) 4.6 m(15'1") boom, 2.5 m(8'2") arm equipped with 0.51 m<sup>3</sup>(PCSA heaped) bucket and 600 mm(24") triple grouser shoe.

Unit : kg(lb)

Load point height	Load radius										At max.reach			
	1.5 m(5'0")		3.0 m(10'0")		4.5 m(15'0")		6.0 m(20'0")		7.5 m(25'0")		Capacity		Reach	
													m(ft)	
6.0 m (20'0")												*2570 5670	1980 4370	6.71 (22.0)
4.5 m (15'0")							*2650 5840	2350 5180				2480 5470	1570 3460	7.54 (24.7)
3.0 m (10'0")			*4540 10010	*4540 10010	*3510 7740	*3510 7740	*3100 6830	2270 5000				2220 4890	1380 3040	7.95 (26.1)
1.5 m (5'0")			*7350 16200	6340 13980	*4580 10100	3380 7450	3430 7560	2150 4740				2150 4740	1330 2930	8.03 (26.3)
Ground line			*8450 18630	5930 13070	5240 11550	3180 7010	3320 7320	2060 4540				2240 4940	1380 3040	7.77 (25.5)
-1.5 m (-5'0")	*5560 12260	*5560 12260	*9000 19840	5830 12850	5130 11310	3090 6810	3270 7210	2009 4430				2560 5640	1580 3480	7.13 (23.4)
-3.0 m (-10'0")	*8450 18630	*8450 18630	*8180 18030	5900 13010	5150 11350	3100 6830						*3220 7100	2130 4700	5.98 (19.6)
-4.5 m (-15'0")			*5910 13030	*5910 13030										


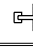

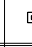






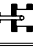

(4) 4.6 m(15'1") boom, 3.0 m(9'10") arm equipped with 0.51 m<sup>3</sup>(PCSA heaped) bucket and 600 mm(24") triple grouser shoe.

Unit : kg(lb)

Load point height	Load radius										At max.reach			
	1.5 m(5'0")		3.0 m(10'0")		4.5 m(15'0")		6.0 m(20'0")		7.5 m(25'0")		Capacity		Reach	
													m(ft)	
6.0 m (20'0")							*1780 3920	*1780 3920				*2320 5110	1720 3790	7.27 (23.9)
4.5 m (15'0")							*2410 5310	2380 5250				2220 4890	1390 3060	8.03 (26.3)
3.0 m (10'0")					*3020 6660	*3020 6660	*2780 6130	2290 5050	*1540 3400	1510 3330	2009 4430	1240 2730	8.42 (27.6)	
1.5 m (5'0")			*6400 14110	*6400 14110	*4150 9150	3430 7560	*3300 7280	2160 4760	*2050 4520	1460 3220	1950 4300	1180 2600	8.49 (27.9)	
Ground line	*3220 7100	*3220 7100	*8410 18540	5970 13160	*5140 11330	3190 7030	3310 7300	2050 4520	*1930 4260	1410 3110	2020 4450	1220 2690	8.24 (27.0)	
-1.5 m (-5'0")	*5090 11220	*5090 11220	*9000 19840	5780 12740	5100 11240	3060 6750	3230 7120	1970 4340				2260 4980	1380 3040	7.65 (25.1)
-3.0 m (-10'0")	*7420 16360	*7420 16360	*8550 18850	5800 12790	5080 11200	3040 6700	3230 7120	1970 4340				2870 6330	1780 3920	6.61 (21.7)
-4.5 m (-15'0")	*10820 23850	*10820 23850	*6910 15230	5970 13160	*4400 9700	3140 6920								


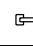

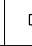








(5) 4.1 m(15'1") boom, 1.9 m(6'3") arm equipped with 0.51 m<sup>3</sup>(PCSA heaped) bucket and 600 mm(24") triple grouser shoe.

Unit : kg (lb)

Load point height	Load radius										At max.reach			
	1.5 m(5'0")		3.0 m(10'0")		4.5 m(15'0")		6.0 m(20'0")		7.5 m(25'0")		Capacity		Reach	
													m(ft)	
6.0 m (20'0")												*3170 6990	2970 6550	5.29 (17.4)
4.5 m (15'0")					*3490 7690	*3490 7690						*3280 7230	2140 4720	6.35 (20.8)
3.0 m (10'0")			*5300 11680	*5300 11680	*4140 9130	3660 8070						2870 6330	1830 4030	6.85 (22.5)
1.5 m (5'0")			*7950 17530	6460 14240	*5090 11220	3450 7610	*3420 7540	2200 4850				2770 6110	1750 3860	6.94 (22.8)
Ground line			*9230 20350	6130 13510	5350 11790	3290 7250						2950 6500	1860 4100	6.63 (21.8)
-1.5 m (-5'0")	*8189 18050	*8189 18050	*9000 19840	6080 13400	5290 11660	3240 7140						3590 7910	2270 5000	5.84 (19.2)
-3.0 m (-10'0")	*12810 28240	*12810 28240	*7350 16200	6220 13710										

(6) 4.1 m(15'1") boom, 2.1 m(6'11") arm equipped with 0.51 m<sup>3</sup>(PCSA heaped) bucket and 600 mm(24") triple grouser shoe.



Unit : kg (lb)

Load point height	Load radius										At max.reach			
	1.5 m(5'0")		3.0 m(10'0")		4.5 m(15'0")		6.0 m(20'0")		7.5 m(25'0")		Capacity		Reach	
													m(ft)	
6.0 m (20'0")												*3030 6680	2790 6150	5.52 (18.1)
4.5 m (15'0")					*3280 7230	*3280 7230						*3150 6940	2050 4520	6.54 (21.5)
3.0 m (10'0")			*4890 10780	*4890 10780	*3950 8710	3680 8110	*2760 6080	2280 5030				2760 6080	1760 3880	7.02 (23.0)
1.5 m (5'0")			*7620 16800	6500 14330	*4940 10890	3460 7630	3470 7650	2200 4850				2660 5860	1680 3700	7.11 (23.3)
Ground line			*9110 20080	6120 13490	5350 11790	3280 7230	3390 7470	2130 4700				2820 6220	1770 3900	6.80 (22.3)
-1.5 m (-5'0")	*7820 17240	*7820 17240	*9080 20020	6040 13320	5270 11620	3210 7080						3390 7470	2130 4700	6.05 (19.8)
-3.0 m (-10'0")	*12300 27120	*12300 27120	*7670 16910	6150 13560										

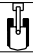




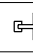

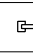

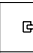


- Notes
1. Lifting capacity are based on SAE J1097
  2. Lifting capacity of the ROBEX series does not exceed 75% of tipping load with the machine on firm, level ground or 87% of full hydraulic capacity.
  3. The load point is a hook located on the back of the bucket.
  4. \* indicates load limited by hydraulic capacity.

## 2) ROBEX 130LCM-3

(1) 4.6 m(15'1") boom, 2.5 m(8'2") arm equipped with 0.51 m<sup>3</sup>(PCSA heaped) bucket and 960 mm(38") triple grouser shoe.

-  : Rating over-front
-  : Rating over-side or 360 degree

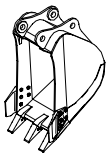
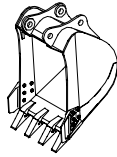
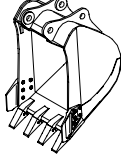
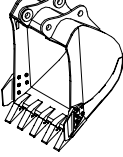
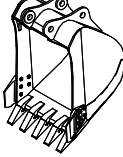
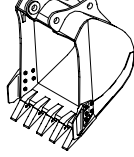
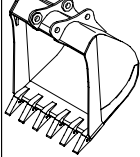
Unit : kg(lb)

Load point height	Load radius										At max.reach			
	1.5 m(5'0")		3.0 m(10'0")		4.5 m(15'0")		6.0 m(20'0")		7.5 m(25'0")		Capacity		Reach	
													m(ft)	
6.0 m (20'0")												*2580 5690	2200 4850	6.83 (22.4)
4.5 m (15'0")					*2770 6110	*2770 6110	*2770 6110	2680 5910				*2680 5910	1790 3950	7.61 (25.0)
3.0 m (10'0")			*4880 10760	*4880 10760	*3640 8020	*3640 8020	*3150 6940	2590 5710				2510 5530	1610 3550	7.98 (26.2)
1.5 m (5'0")			*7620 16800	7180 15830	*4700 10360	3850 8490	*3630 8000	2480 5470				2450 5400	1560 3440	8.01 (26.3)
Ground line	*3380 7450	*3380 7450	*8510 18760	6810 15010	*5490 12100	3650 8050	3750 8270	2380 5250				2580 5690	1640 3620	7.71 (25.3)
-1.5 m (-5'0")	*5870 12940	*5870 12940	*8950 19730	6740 14860	*5740 12650	3570 7870	3700 8160	2340 5160				2980 6570	1900 4190	7.03 (23.1)
-3.0 m (-10'0")	*8860 19530	*8860 19530	*8010 17660	6830 15060	*5260 11600	3600 7940						*3210 7080	2600 5730	5.79 (19.0)

- Notes
1. Lifting capacity are based on SAE J1097
  2. Lifting capacity of the ROBEX series does not exceed 75% of tipping load with the machine on firm, level ground or 87% of full hydraulic capacity.
  3. The load point is a hook located on the back of the bucket.
  4. \* indicates load limited by hydraulic capacity.

## 6. BUCKET SELECTION GUIDE

### 1) ROBEX 130LC-3

						
0.22 m <sup>3</sup> PCSA heaped bucket	0.4 m <sup>3</sup> PCSA heaped bucket	0.46 m <sup>3</sup> PCSA heaped bucket	0.51 m <sup>3</sup> PCSA heaped bucket	0.58 m <sup>3</sup> PCSA heaped bucket	0.63 m <sup>3</sup> PCSA heaped bucket	0.70 m <sup>3</sup> PCSA heaped bucket

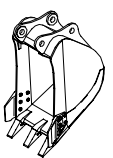
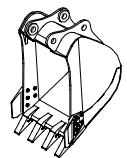
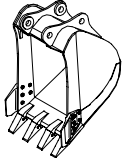
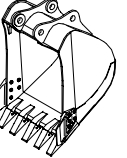
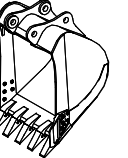
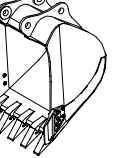
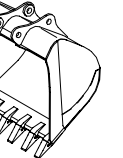
Capacity		Width		Weight	Recommendation			
PCSA heaped	CECE heaped	Without side cutter	With side cutter		1.9 m Arm (6' 3")	2.1 m Arm (6' 11")	2.5 m Arm (8' 2")	3.0 m Arm (9' 10")
0.22 m <sup>3</sup> (0.29 yd <sup>3</sup> )	0.2 m <sup>3</sup> (0.26 yd <sup>3</sup> )	520 mm (20.5")	620 mm (24.4")	310 kg (685 lb)				
0.4 m <sup>3</sup> (0.52 yd <sup>3</sup> )	0.35 m <sup>3</sup> (0.46 yd <sup>3</sup> )	760 mm (29.9")	860 mm (33.9")	385 kg (850 lb)				
0.46 m <sup>3</sup> (0.60 yd <sup>3</sup> )	0.4 m <sup>3</sup> (0.52 yd <sup>3</sup> )	850 mm (33.5")	950 mm (37.4")	405 kg (895 lb)				
0.51 m <sup>3</sup> (0.67 yd <sup>3</sup> )	0.45 m <sup>3</sup> (0.59 yd <sup>3</sup> )	935 mm (36.8")	1035 mm (40.8")	440 kg (970 lb)				
0.58 m <sup>3</sup> (0.76 yd <sup>3</sup> )	0.5 m <sup>3</sup> (0.65 yd <sup>3</sup> )	1030 mm (40.6")	1130 mm (44.5")	455 kg (1005 lb)				
0.63 m <sup>3</sup> (0.82 yd <sup>3</sup> )	0.55 m <sup>3</sup> (0.72 yd <sup>3</sup> )	1110 mm (43.7")	1210 mm (47.6")	470 kg (1035 lb)				
0.70 m <sup>3</sup> (0.92 yd <sup>3</sup> )	0.6 m <sup>3</sup> (0.78 yd <sup>3</sup> )	1205 mm (47.4")	—	505 kg (1115 lb)				

Applicable for materials with density of 2000 kg/m<sup>3</sup> (3370 lb/yd<sup>3</sup>) or less


Applicable for materials with density of 1600 kg/m<sup>3</sup> (2700 lb/yd<sup>3</sup>) or less


Applicable for materials with density of 1100 kg/m<sup>3</sup> (1850 lb/yd<sup>3</sup>) or less


## 2) ROBEX 130LCM-3

						
0.22 m <sup>3</sup> PCSA heaped bucket	0.4 m <sup>3</sup> PCSA heaped bucket	0.46 m <sup>3</sup> PCSA heaped bucket	0.51 m <sup>3</sup> PCSA heaped bucket	0.58 m <sup>3</sup> PCSA heaped bucket	0.63 m <sup>3</sup> PCSA heaped bucket	0.70 m <sup>3</sup> PCSA heaped bucket

Capacity		Width		Weight	Recommendation			
PCSA heaped	CECE heaped	Without side cutter	With side cutter		1.9 m Arm (6'3")	2.1 m Arm (6'11")	2.5 m Arm (8'2")	3.0 m Arm (9'10")
0.22 m <sup>3</sup> (0.29 yd <sup>3</sup> )	0.2 m <sup>3</sup> (0.26 yd <sup>3</sup> )	520 mm (20.5")	620 mm (24.4")	310 kg (685 lb)				
0.4 m <sup>3</sup> (0.52 yd <sup>3</sup> )	0.35 m <sup>3</sup> (0.46 yd <sup>3</sup> )	760 mm (29.9")	860 mm (33.9")	385 kg (850 lb)				
0.46 m <sup>3</sup> (0.60 yd <sup>3</sup> )	0.4 m <sup>3</sup> (0.52 yd <sup>3</sup> )	850 mm (33.5")	950 mm (37.4")	405 kg (895 lb)				
0.51 m <sup>3</sup> (0.67 yd <sup>3</sup> )	0.45 m <sup>3</sup> (0.59 yd <sup>3</sup> )	935 mm (36.8")	1035 mm (40.8")	440 kg (970 lb)				
0.58 m <sup>3</sup> (0.76 yd <sup>3</sup> )	0.5 m <sup>3</sup> (0.65 yd <sup>3</sup> )	1030 mm (40.6")	1130 mm (44.5")	455 kg (1005 lb)				
0.63 m <sup>3</sup> (0.82 yd <sup>3</sup> )	0.55 m <sup>3</sup> (0.72 yd <sup>3</sup> )	1110 mm (43.7")	1210 mm (47.6")	470 kg (1035 lb)				
0.70 m <sup>3</sup> (0.92 yd <sup>3</sup> )	0.6 m <sup>3</sup> (0.78 yd <sup>3</sup> )	1205 mm (47.4")	—	505 kg (1115 lb)				

 Applicable for materials with density of 2000 kg/m<sup>3</sup> (3370 lb/yd<sup>3</sup>) or less

 Applicable for materials with density of 1600 kg/m<sup>3</sup> (2700 lb/yd<sup>3</sup>) or less

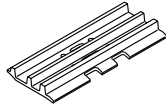
 Applicable for materials with density of 1100 kg/m<sup>3</sup> (1850 lb/yd<sup>3</sup>) or less

## 7. UNDERCARRIAGE

### 1) TRACKS

X-leg type center frame is integrally welded with reinforced box-section track frames. The design includes sealed tracks, lubricated rollers, idlers, sprockets, hydraulic track adjusters with shock absorbing springs, and assembled track-type tractor shoes with triple grouser.

### 2) TYPES OF SHOES

Shapes		Triple grouser			
					
		ROBEX 130LC-3			ROBEX 130LCM-3
Shoe width	mm (in)	500 (20)	600 (24)	710 (28)	960 (38)
Operating weight	kg (lb)	12830 (28290)	13200 (29100)	13570 (29920)	15400 (33950)
Ground pressure	kg/cm <sup>2</sup> ( psi)	0.39 (5.55)	0.34 (4.80)	0.30 (4.25)	0.24 (3.41)
Overall width	m(ft-in)	2500 (8' 2")	2600 (8' 6")	2700 (8' 10")	3000 (9' 10")

### 3) NUMBER OF ROLLERS AND SHOES ON EACH SIDE

Item	Quantity	
	ROBEX 130LC-3	ROBEX 130LCM-3
Carrier rollers	1 EA	2 EA
Track rollers	7 EA	7 EA
Track shoes	46 EA	46 EA

## 8. SPECIFICATIONS FOR MAJOR COMPONENTS

### 1) ENGINE

Item	Specification
Model	CUMMINS 4BTA3.9
Type	4-cycle turbocharged, after cooled diesel engine
Cooling method	Water cooling
Number of cylinders and arrangement	4 cylinders, in-line
Firing order	1-3-4-2
Combustion chamber type	Direct injection type
Cylinder bore × stroke	102 × 120 mm (4.02" × 4.72")
Piston displacement	3920 cc (239 cu in)
Compression ratio	16.5 : 1
Rated gross horse power	111 Hp at 2200 rpm (82.8kw at 2200rpm)
Maximum torque at 1700rpm	41 kgf · m (295 lb · ft)
Engine oil quantity	11 l (2.9 U.S. gal)
Dry weight	329 kg (726 lb)
High idling speed	2350 + 50 rpm
Low idling speed	800 + 100 rpm
Rated fuel consumption	153 g/Hp · hr
Starting motor	DELCO REMY 28MT(24V)
Alternator	DAC HC60(24V-60AMP)
Battery	2 × 12V × 120 Ah

### 2) MAIN PUMP

Item	Specification
Type	Variable displacement tandem axial piston pump
Capacity	2 × 59.8 cc/rev
Maximum pressure	320 kg/cm <sup>2</sup> (4550 psi)
Rated oil flow	2 × 130 l /min (34.3 U.S. gpm/28.6 U.K. gpm)
Rated speed	2200 rpm

### 3) GEAR PUMP

Item	Specification
Type	Fixed displacement gear pump single stage
Capacity	10cc/rev
Maximum pressure	35kgf/cm <sup>2</sup> (500psi)
Rated oil flow	22ℓ /min(5.8U.S. gpm/4.8U.K. gpm)

### 4) MAIN CONTROL VALVE

Item	Specification
Type	7 spools
Operating method	Hydraulic pilot system
Main relief valve pressure	320kgf/cm <sup>2</sup> (4550psi) [350kgf/cm <sup>2</sup> (4980psi)]
Overload relief valve pressure	380kgf/cm <sup>2</sup> (5400psi)

[ ]: Power boost

### 5) SWING MOTOR

Item	Specification	
	UP TO #1904	#1905 AND UP
Type	Fixed displacement axial piston motor	
Capacity	79cc/rev	64cc/rev
Relief pressure	220kgf/cm <sup>2</sup> (3130psi)	240kgf/cm <sup>2</sup> (3415psi)
Braking system	Automatic, spring applied hydraulic released	
Braking torque	12kgf.m(87lbf.ft)	22kgf.m(160lbf.ft)
Brake release pressure	17~40kgf/cm <sup>2</sup> (240~570psi)	22~40kgf/cm <sup>2</sup> (313~570psi)
Reduction gear type	2 - stage planetary	
Swing speed	13rpm	

### 6) TRAVEL MOTOR

Item	Specification	
	UP TO #1563	#1564 AND UP
Type	Variable displacement axial piston motor	
Operating pressure	320kgf/cm <sup>2</sup> (4550psi) [350kgf/cm <sup>2</sup> (4980psi)]	
Reduction gear type	3-stage planetary	
Braking system	Automatic, spring applied hydraulic released	
Brake release pressure	11kgf/cm <sup>2</sup> (156psi)	6.0kgf/cm <sup>2</sup> (86psi)
Braking torque	132kgf.m(955lbf.ft)	40.6kgf.m(294lbf.ft)



## 7) REMOTE CONTROL VALVE

Item		Specification
Type		Pressure reducing type
Operating pressure	minimum	5 kg/cm <sup>2</sup> (71 psi)
	maximum	20 kg/cm <sup>2</sup> (284 psi)
Single operation stroke	lever	61 mm (2.4 in)
	pedal	123 mm (4.84 in)

## 8) CYLINDER

Item		Specification
Boom cylinder	Bore dia × Rod dia × Stroke	∅ 105 × ∅ 75 × 1095 mm
	Cushion	Extend only
Arm cylinder	Bore dia × Rod dia × Stroke	∅ 115 × ∅ 80 × 1188 mm
	Cushion	Extend and retract
Bucket cylinder	Bore dia × Rod dia × Stroke	∅ 110 × ∅ 70 × 855 mm
	Cushion	Extend only

## 9) SHOE

Item		Width	Ground pressure	Link quantity	Overall width
R 130LC-3	Standard	600 mm (24")	0.34 kg/cm <sup>2</sup> (4.80 psi)	46	2600 mm (8' 6")
	Option	500 mm (20")	0.39 kg/cm <sup>2</sup> (5.55 psi)	46	2500 mm (8' 2")
		710 mm (28")	0.30 kg/cm <sup>2</sup> (4.25 psi)	46	2700 mm (8' 10")
R 130LCM-3	Standard	960 mm (38")	0.24 kg/cm <sup>2</sup> (3.41 psi)	46	3000 mm (9' 10")

## 10) BUCKET

Item	Capacity		Tooth quantity	Width	
	PCSA heaped	CECE heaped		Without side cutter	With side cutter
Standard	0.51 m <sup>3</sup> (0.67 yd <sup>3</sup> )	0.45 m <sup>3</sup> (0.59 yd <sup>3</sup> )	5	935 mm (36.8")	1035 mm (40.8")
Option	0.22 m <sup>3</sup> (0.29 yd <sup>3</sup> )	0.20 m <sup>3</sup> (0.26 yd <sup>3</sup> )	3	520 mm (20.5")	620 mm (24.4")
	0.40 m <sup>3</sup> (0.52 yd <sup>3</sup> )	0.35 m <sup>3</sup> (0.46 yd <sup>3</sup> )	4	760 mm (29.9")	860 mm (33.9")
	0.46 m <sup>3</sup> (0.60 yd <sup>3</sup> )	0.40 m <sup>3</sup> (0.52 yd <sup>3</sup> )	4	850 mm (33.5")	950 mm (37.4")
	0.58 m <sup>3</sup> (0.76 yd <sup>3</sup> )	0.50 m <sup>3</sup> (0.65 yd <sup>3</sup> )	5	1030 mm (40.6")	1130 mm (44.5")
	0.63 m <sup>3</sup> (0.82 yd <sup>3</sup> )	0.55 m <sup>3</sup> (0.72 yd <sup>3</sup> )	5	1110 mm (43.7")	1210 mm (47.6")
	0.70 m <sup>3</sup> (0.92 yd <sup>3</sup> )	0.60 m <sup>3</sup> (0.78 yd <sup>3</sup> )	6		—