

## GROUP 5 CONNECTORS

### 1. CONNECTOR DESTINATION

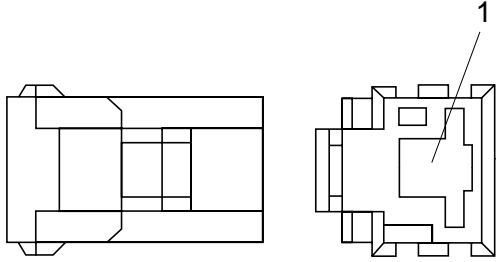
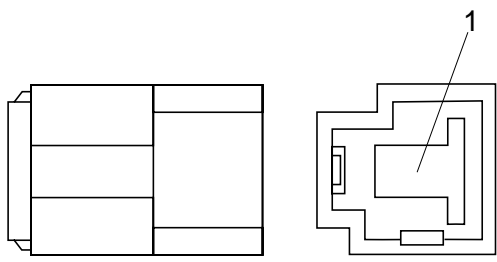
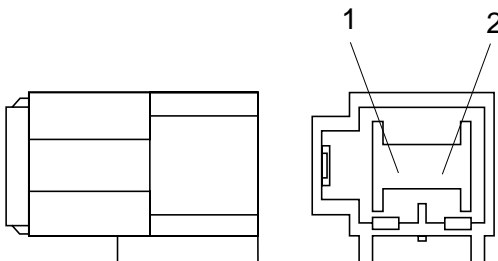
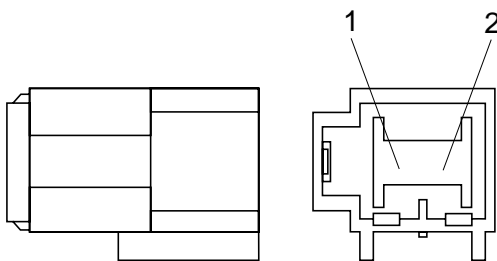
Connector number	Type	No. of pin	Destination	Connector part No.	
				Female	Male
CN-1	SWP	12	I/conn(Engine harness-main harness)	S814-012000	S814-112000
CN-2	SWP	12	I/conn(Engine harness-main harness)	S814-012000	S814-112000
CN-3	SWP	8	I/conn(solenoid harness-main harness)	S814-008000	S814-108000
CN-4	SWP	12	I/conn(R.H harness-main harness)	S814-012000	S814-112000
CN-5	370FASTON	2	I/conn(R.H harness-main harness)	S813-030200	S813-130200
CN-6	SWP	8	I/conn(Cabin harness-main harness)	S814-008000	S814-108000
CN-7	SWP	12	I/conn(Cabin harness-main harness)	S814-012000	S814-112000
CN-8	SWP	12	I/conn(Cabin harness-main harness)	S814-012000	S814-112000
CN-9	SWP	4	I/conn(Cabin harness-main harness)	S814-004000	S814-104000
CN-13	CN	4	I/conn(Wiper harness-main harness)	S810-004204	S810-104204
CN-14	CN	4	I/conn(Cabin harness-main harness)	S810-004204	-
CN-18	BS	3	I/conn(Boom harness-main harness)	S812-003011	-
CN-20	MARK- II	1	Horn	S819-010122	-
CN-21	CN	4	Wiper motor	S810-004204	-
CN-22	CN	2	Washer tank	S810-002204	-
CN-23	-	1	Speaker (LH)	S810-014004	S822-114004
CN-24	-	1	Speaker (RH)	S822-014004	S822-114004
CN-27	PA	9	Cassette & radio	S811-009003	-
CN-28	CN	2	Compressor	S810-002202	-
CN-29	-	4	R/dryer	S812-002001	-
CN-30	CN	6	Fan speed switch	S810-006202	-
CN-31	CN	4	Blower	S810-004202	-
CN-32	PA	3	Air-con switch	S811-003001	-
CN-36	SWP	12	Fuse box	S814-012000	-
CN-37	AMP	3	Fuse box	S810-003202	-
CN-38	SWP	8	Fuse box	S814-008000	-
CN-40	58-L	2	Fuse box	S813-030200	-
CN-45	RING-TERM	-	Start motor B <sup>+</sup>	S820-031000	-
CN-47	CN	2	Resistor	S810-002202	-
CN-48	CN	2	Hour motor	S810-002202	-
CN-50	LC	10	CPU & controller	S815-010000	-
CN-51	LC	18	CPU & controller	S815-018000	-
CN-52	LC	24	CPU & controller	S815-024000	-
CN-53	PA	13	CPU & controller	AMP,172498-1	-
CN-56	ML	16	Cluster	AMP,174046-2	-
CN-57	ML	12	Cluster	AMP,174045-2	-
CN-60	58-L	2	Fusible link	-	S813-130200
CN-61	-	1	Fuel filler pump	S822-015000	-
CN-65	-	1	Travel alarm	S822-014000	-

Connector number	Type	No. of pin	Destination	Connector part No.	
				Female	Male
CN-66	J	2	Breaker solenoid	S816-002001	-
CN-68	J	2	Safety solenoid	S816-002001	-
CN-70	J	2	Travel solenoid	S-816-002001	-
CN-72	J	2	Dozer solenoid 2	S-816-002001	-
CN-73	J	2	Dozer solenoid 1	S-816-002001	-
CN-74	RING-TERM	-	Alternator "I" term	S820-106000	-
CN-75	-	1	Eppr valve	S822-014000	-
CN-76	58-X	4	Governor motor	S813-060400	-
CN-77	58-X	3	Potential meter	S813-060300	-
CN-78	-	1	Cold start aid	S822-014004	S822-114004
CN-79	-	3	Fuel cut-off solenoid	S819-010122	-
CN-88	J	2	Power max solenoid	S816-002001	-
CN-99	-	1	Ext connector(without dozer)	S822-014004	S822-114004
· Relay					
CR-1	RING-TERM	-	Battery relay	S820-004000	-
CR-2	CN	4	Horn relay	S810-004202	-
CR-3	CN	4	Work lamp relay	S810-004202	-
CR-4	CN	6	Wiper relay	S810-006202	-
CR-7	CN	4	Air-con relay	S810-004202	-
CR-9	CN	4	Cabin light relay	S810-004202	-
CR-13	CN	4	Head lamp relay	S810-004202	-
CR-23	CN	2	Start relay	S816-002003	-
· Switch					
CS-1	-	1	Door switch	S810-014004	-
CS-2	SWP	6	Start key switch	S814-006000	-
CS-3	SWF	10	Wiper switch	SWF,593757	-
CS-4	CN	3	Safety switch	S810-003202	-
CS-5	-	1	Horn switch	S822-014000	S822-114000
CS-7	CN	6	Prolix switch	S810-006202	-
CS-16	SWF	10	Travel alarm switch	SWF,593757	-
CS-22	SWF	10	Cold start switch	SWF,593757	-
CS-24	SWF	10	Cabin light switch	SWF,593757	-
CS-25	SWF	10	Dozer switch	SWF,593757	-
CS-26	-	1	Pedal switch	S822-014000	S822-114000
CS-27	SWF	10	Breaker switch	SWF,593757	-
CS-29	-	1	Power max switch	S822-014000	S822-114000
CS-30	SWF	10	Washer switch	SWF,593757	-
CS-36	SWF	10	Work lamp switch	SWF,593757	-
CS-39	SWF	10	Head lamp switch	SWF,593757	-

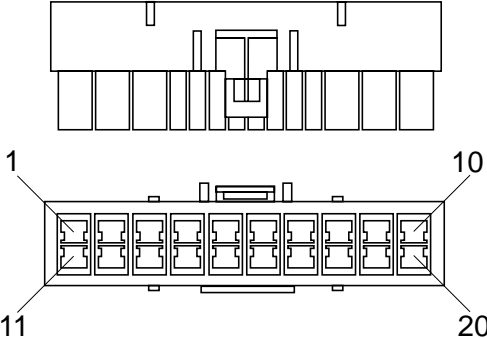
Connector number	Type	No. of pin	Destination	Connector part No.	
				Female	Male
· Light					
CL-1	CN	2	Room lamp	YAZAKI,7123-8326	-
CL-2	-	1	Cigar lighter	S822-014000	S822-114000
CL-4	BS	3	Head lamp	S812-003011	-
CL-5	BS	3	Work lamp	S812-003011	-
CL-6	BS	3	Work lamp	S812-003011	-
CL-7	-	1	Rotary lamp	S822-014000	S822-114000
CL-8	-	1	Cabin lighter rear	S822-014000	S822-114000
CL-9	-	1	Cabin light (LH)	S822-014000	S822-114000
CL-10	-	1	Cabin light (RH)	S822-014000	S822-114000
CL-15	PA	5	Rear combi lamp (RH)	KET,MG 610152	-
CL-16	PA	5	Rear combi lamp (LH)	KET,MG 610152	-
· Sensor,sendor					
CD-1	MARK- II	1	Hydraulic oil temp sendor	S819-010122	-
CD-2	CN	3	Fuel sendor	KET,MG 610320	-
CD-6	MARK- II	1	Auto idle press switch	S819-010122	-
CD-7	MARK- II	1	Auto idle press switch	S819-010122	-
CD-8	MARK- II	1	Water temp sendor	S819-010122	-
CD-9	-	1	Over heat sensor	S822-014000	-
CD-10	-	1	Air cleaner switch	S822-014000	S822-114000
CD-11	-	1	Travel alarm press switch	S822-014000	-
CD-12	-	1	Travel alarm press switch	S822-014000	-
CD-13	-	1	Travel alarm press switch	S822-014000	-
CD-14	-	1	Travel alarm press switch	S822-014000	-
CD-16	CN	2	Water level sensor	S810-002202	-
CD-17	TWP	2	Speed sensor	-	S818-120221
CD-18	CN	1	Engine oil press switch	S810-001202	-
CD-31	-	1	Autoidle press switch(with dozer)	S819-010122	-

## 2. CONNECTION TABLE FOR CONNECTORS

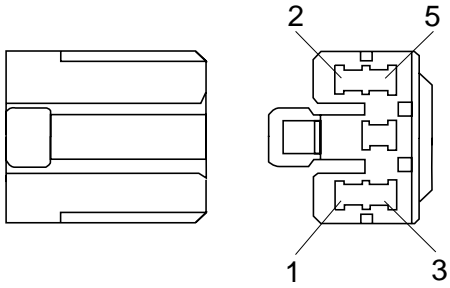
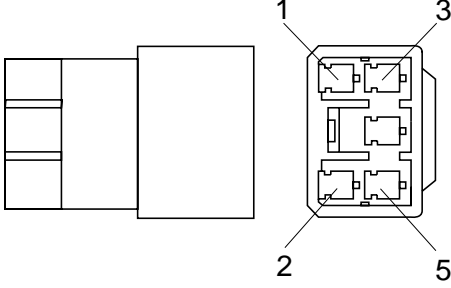
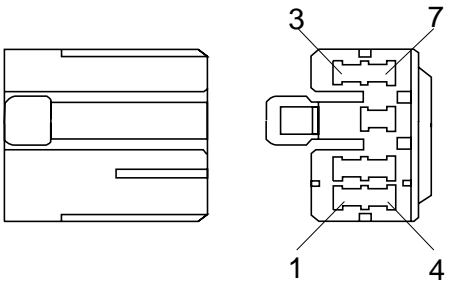
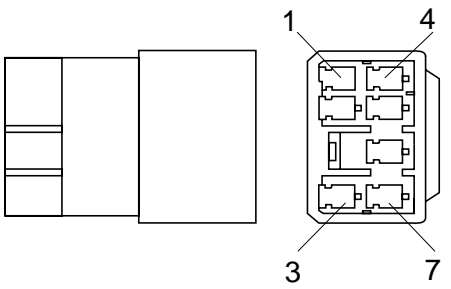
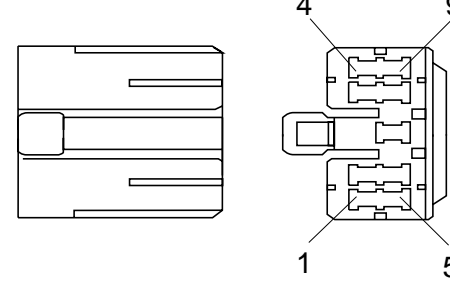
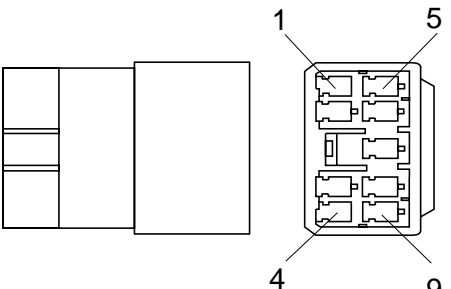
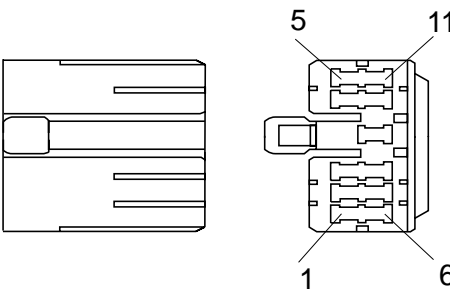
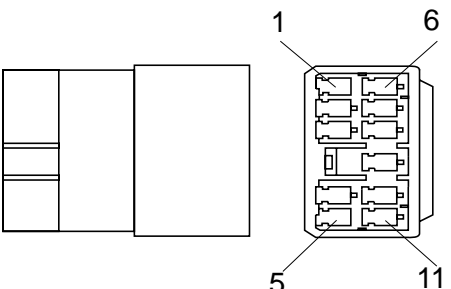
### 1) 58-L TYPE CONNECTOR

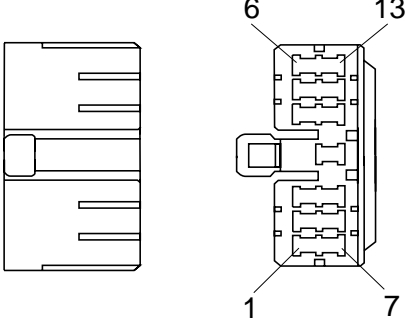
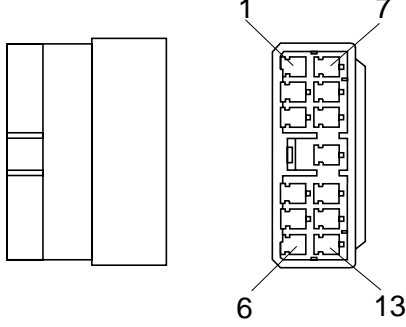
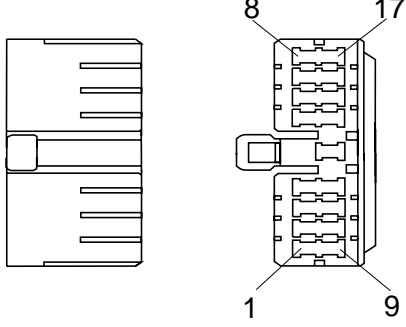
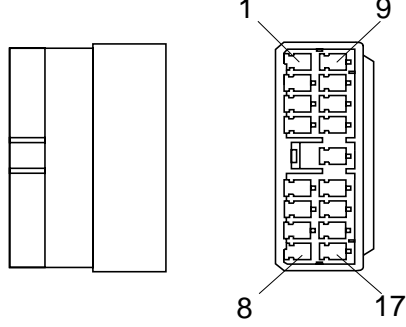
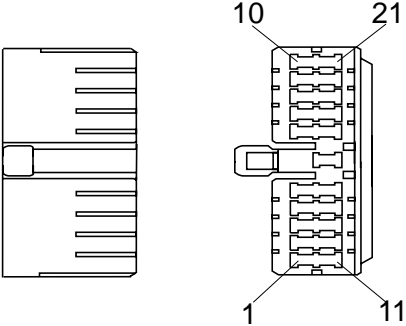
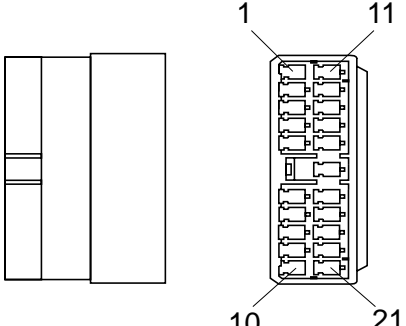
No. of pin	Receptacle connector(Female)	Plug connector(Male)
1	 <p data-bbox="683 779 863 808">S813-030100</p>	 <p data-bbox="1257 779 1437 808">S813-130100</p>
2	 <p data-bbox="683 1182 863 1211">S813-030200</p>	 <p data-bbox="1257 1182 1437 1211">S813-130200</p>

## 2) MULTILOCK TYPE CONNECTOR

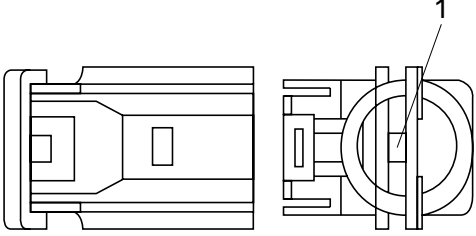
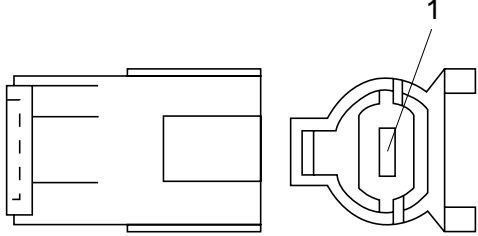
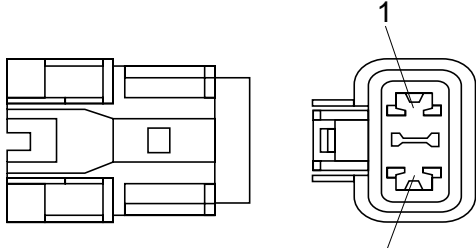
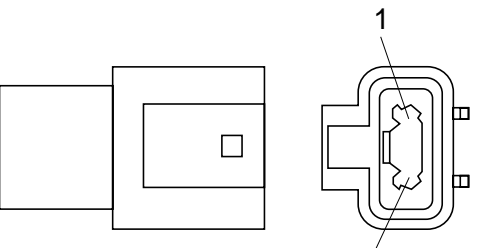
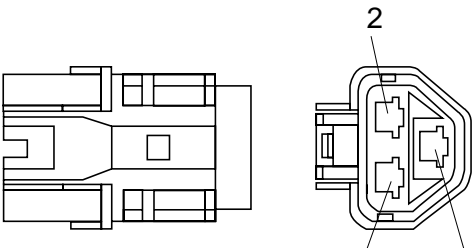
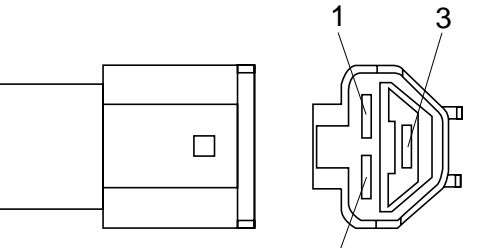
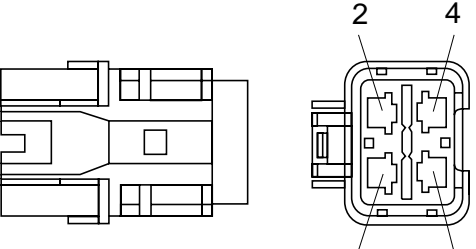
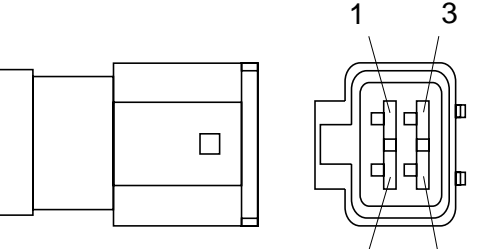
No. of pin	Receptacle connector(Female)	Plug connector(Male)
20	 <p style="text-align: right;">S817-020105</p>	

### 3) PA TYPE CONNECTOR

No. of pin	Receptacle connector(Female)	Plug connector(Male)
5	 <p data-bbox="687 707 863 741">S811-005002</p>	 <p data-bbox="1262 707 1437 741">S811-105002</p>
7	 <p data-bbox="687 1113 863 1146">S811-007002</p>	 <p data-bbox="1262 1113 1437 1146">S811-107002</p>
9	 <p data-bbox="687 1518 863 1552">S811-009002</p>	 <p data-bbox="1262 1518 1437 1552">S811-109002</p>
11	 <p data-bbox="687 1924 863 1957">S811-011002</p>	 <p data-bbox="1262 1924 1437 1957">S811-111002</p>

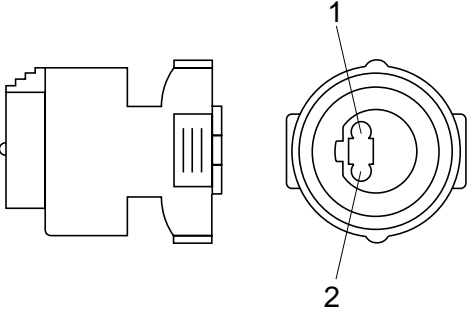
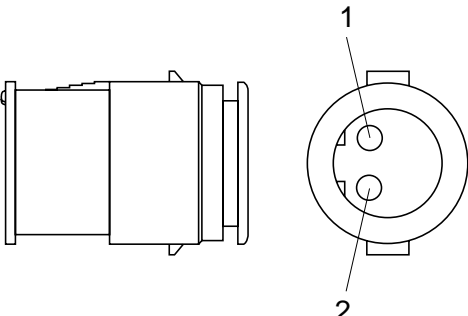
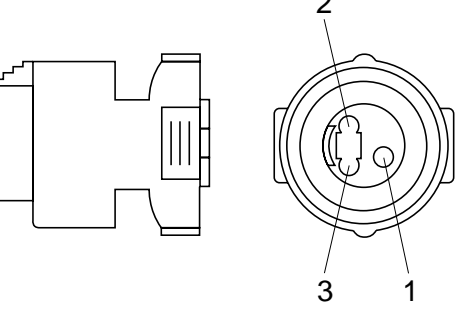
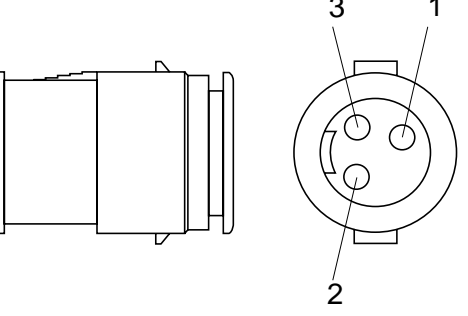
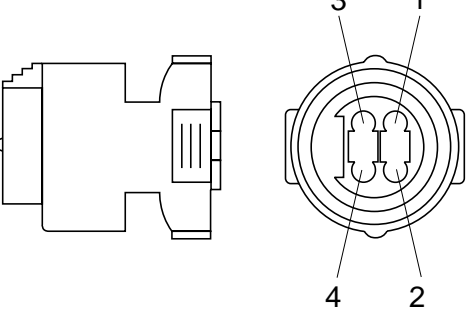
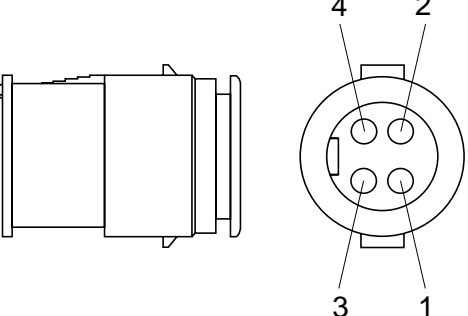
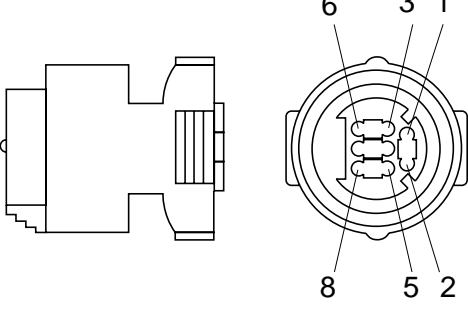
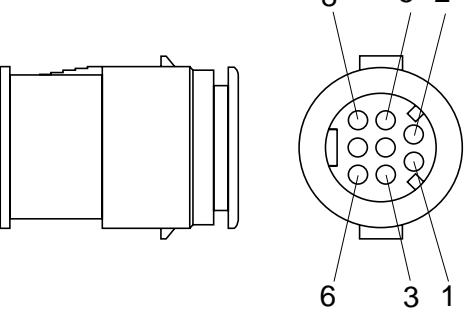
No. of pin	Receptacle connector(Female)	Plug connector(Male)
13	 <p style="text-align: center;">S811-013002</p>	 <p style="text-align: center;">S811-013002</p>
17	 <p style="text-align: center;">S811-017002</p>	 <p style="text-align: center;">S811-117002</p>
21	 <p style="text-align: center;">S811-021002</p>	 <p style="text-align: center;">S811-121002</p>

#### 4) 58-X TYPE CONNECTOR

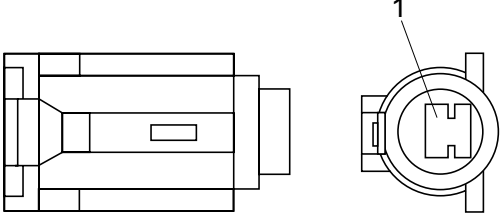
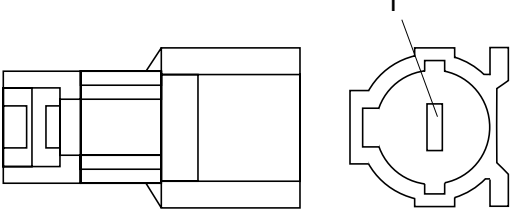
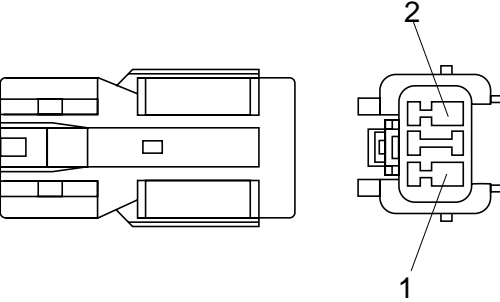
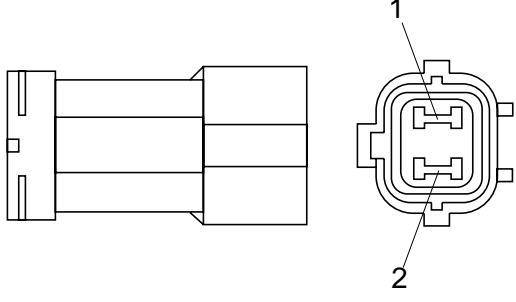
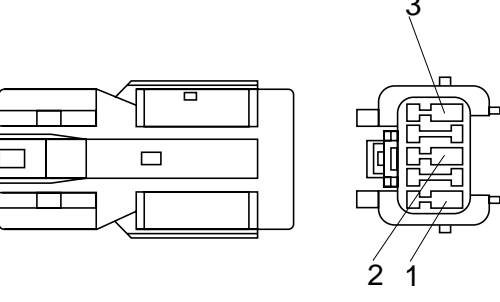
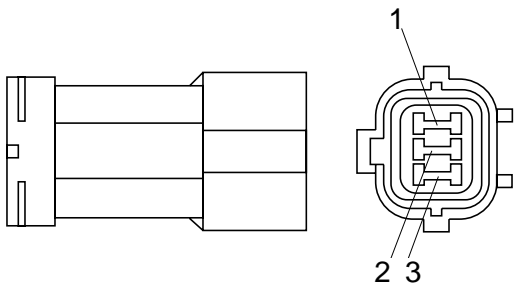
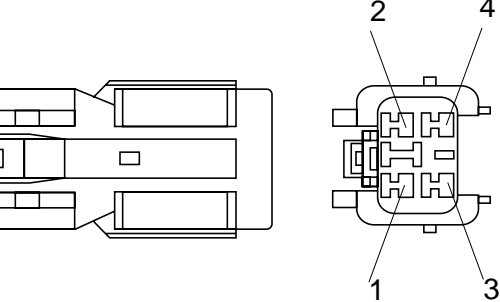
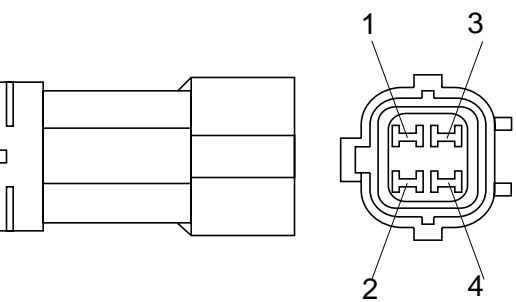
No. of pin	Receptacle connector(Female)	Plug connector(Male)
1	 <p data-bbox="686 705 861 739">S813-060100</p>	 <p data-bbox="1260 705 1436 739">S813-160100</p>
2	 <p data-bbox="686 1108 861 1142">S813-060200</p>	 <p data-bbox="1260 1108 1436 1142">S813-160200</p>
3	 <p data-bbox="686 1512 861 1545">S813-060200</p>	 <p data-bbox="1260 1512 1436 1545">S813-060200</p>
4	 <p data-bbox="686 1915 861 1948">S813-060200</p>	 <p data-bbox="1260 1915 1436 1948">S813-060200</p>

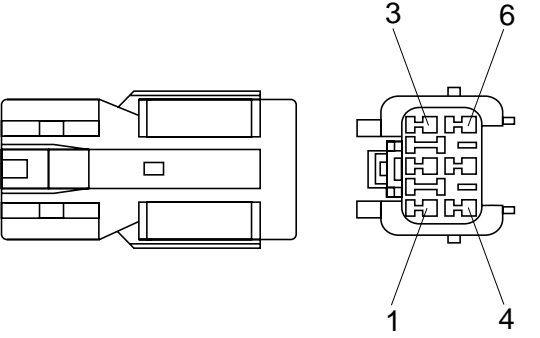
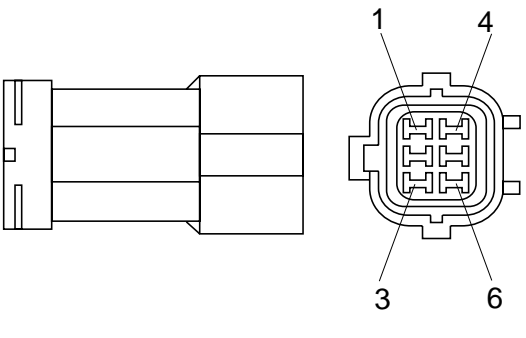
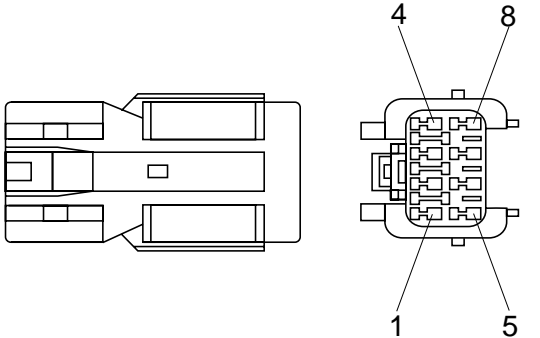
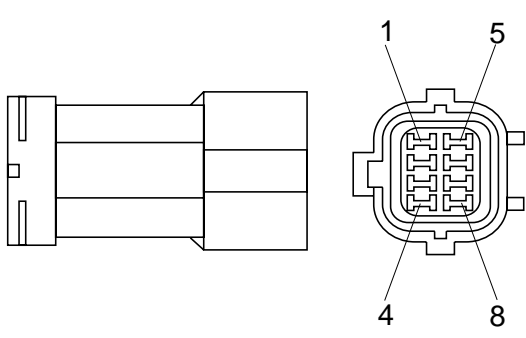
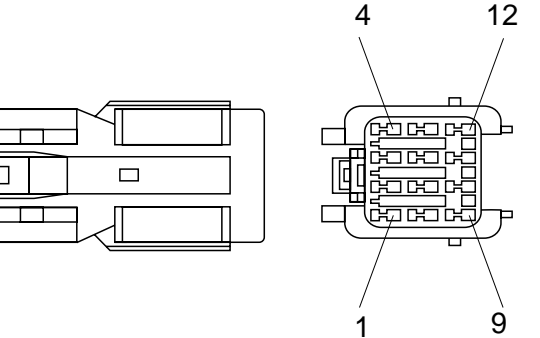
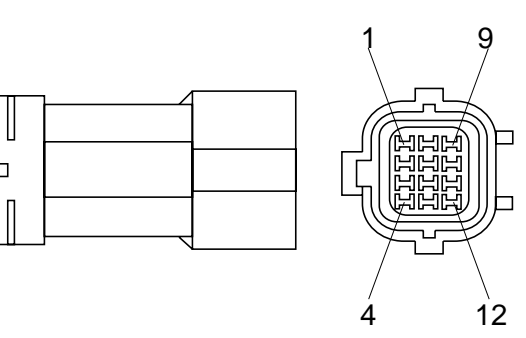
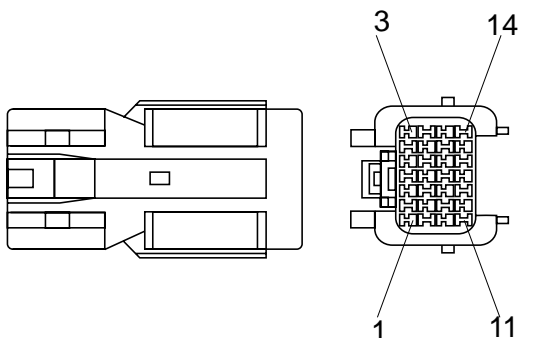
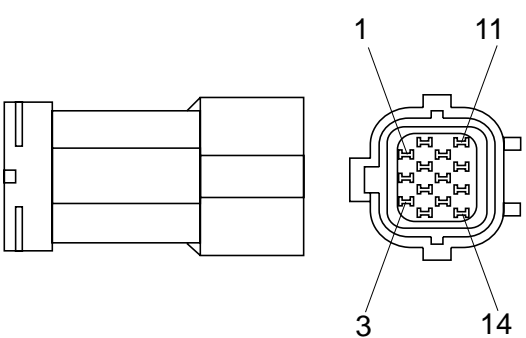


### 5) J TYPE CONNECTOR

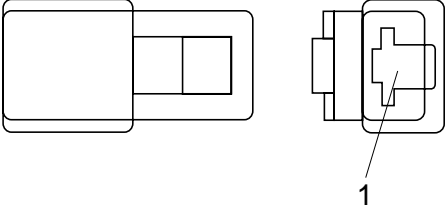
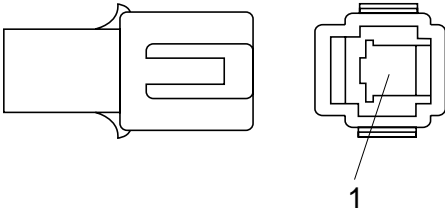
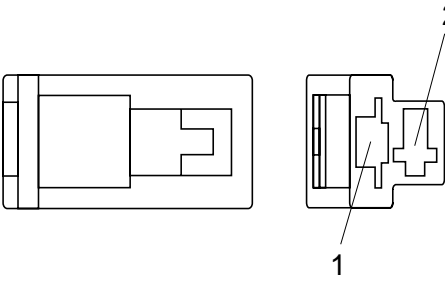
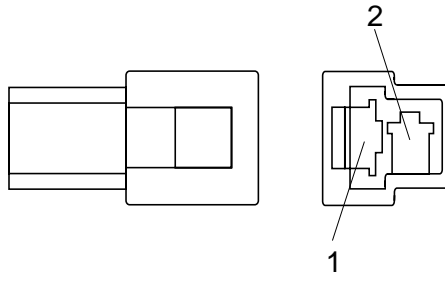
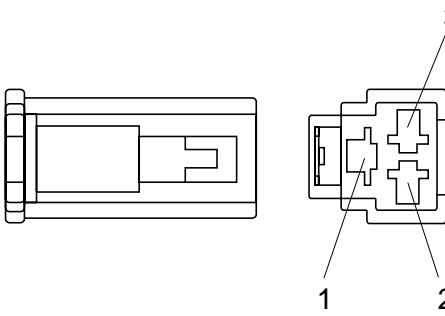
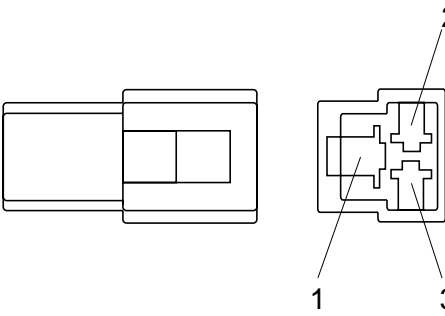
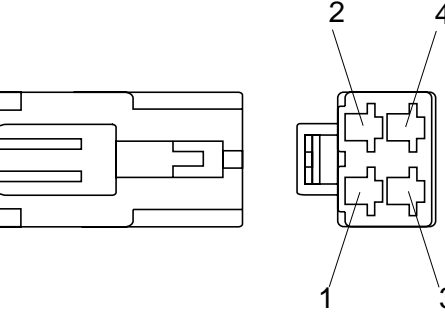
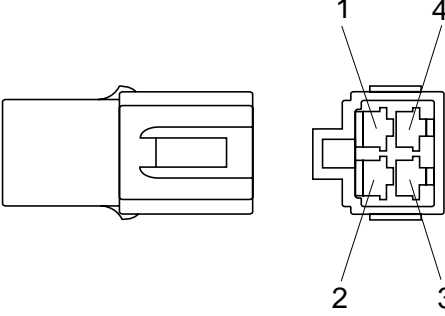
No. of pin	Receptacle connector(Female)	Plug connector(Male)
2	 <p data-bbox="683 712 858 741">S816-002001</p>	 <p data-bbox="1257 712 1433 741">S816-102001</p>
3	 <p data-bbox="683 1115 858 1144">S816-003001</p>	 <p data-bbox="1257 1115 1433 1144">S816-103001</p>
4	 <p data-bbox="683 1525 858 1554">S816-004001</p>	 <p data-bbox="1257 1525 1433 1554">S816-104001</p>
8	 <p data-bbox="683 1935 858 1964">S816-008001</p>	 <p data-bbox="1257 1935 1433 1964">S816-108001</p>

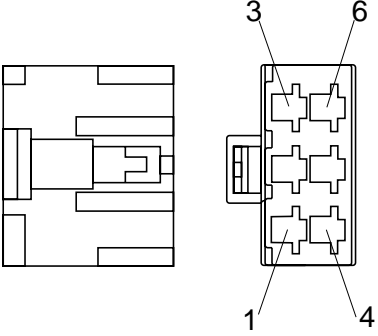
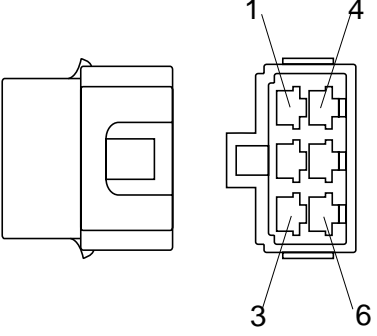
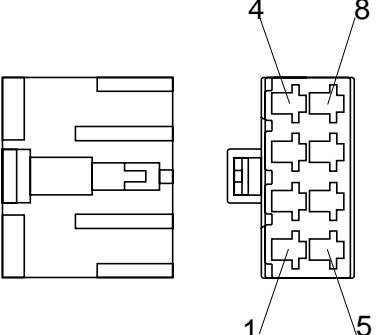
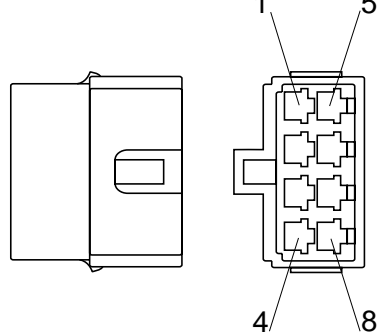
### 6) SWP TYPE CONNECTOR

No. of pin	Receptacle connector(Female)	Plug connector(Male)
1	 <p data-bbox="683 712 868 743">S814-001000</p>	 <p data-bbox="1257 712 1442 743">S814-101000</p>
2	 <p data-bbox="683 1115 868 1146">S814-002000</p>	 <p data-bbox="1257 1115 1442 1146">S814-102000</p>
3	 <p data-bbox="683 1523 868 1554">S814-003000</p>	 <p data-bbox="1257 1523 1442 1554">S814-103000</p>
4	 <p data-bbox="683 1930 868 1962">S814-004000</p>	 <p data-bbox="1257 1930 1442 1962">S814-104000</p>

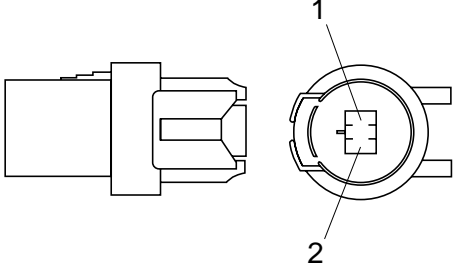
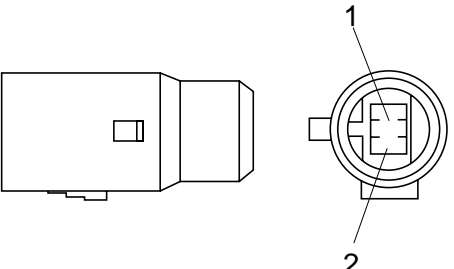
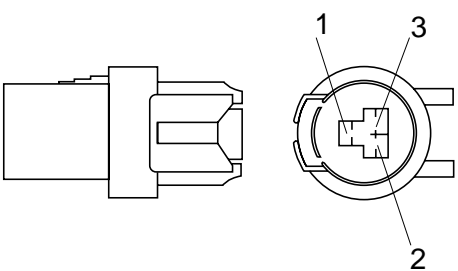
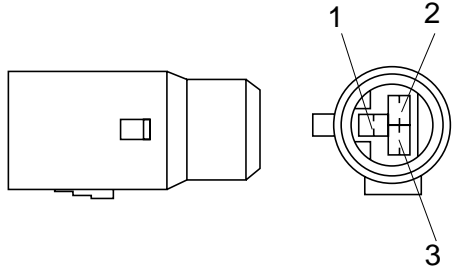
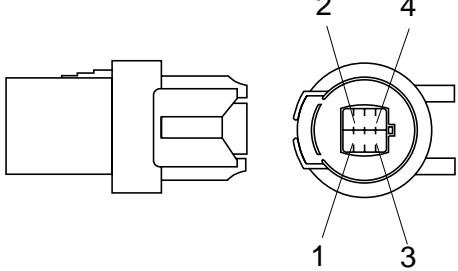
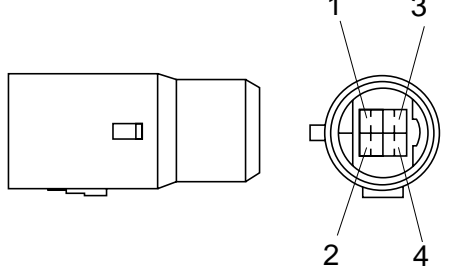
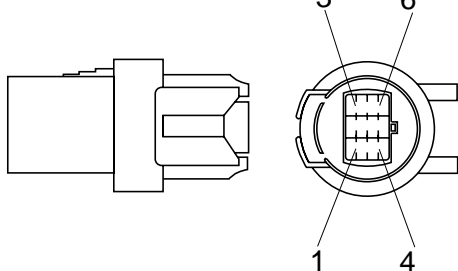
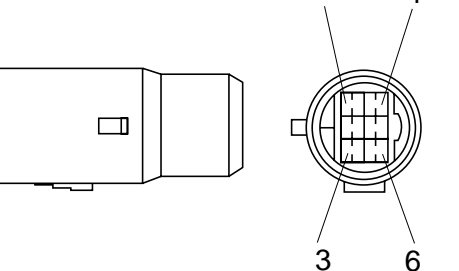
No. of pin	Receptacle connector(Female)	Plug connector(Male)
6	 <p data-bbox="678 705 858 739">S814-006000</p>	 <p data-bbox="1252 705 1433 739">S814-106000</p>
8	 <p data-bbox="678 1108 858 1142">S814-008000</p>	 <p data-bbox="1252 1108 1433 1142">S814-108000</p>
12	 <p data-bbox="678 1512 858 1545">S814-012000</p>	 <p data-bbox="1252 1512 1433 1545">S814-112000</p>
14	 <p data-bbox="678 1915 858 1948">S814-014000</p>	 <p data-bbox="1252 1915 1433 1948">S814-114000</p>

### 7) CN TYPE CONNECTOR

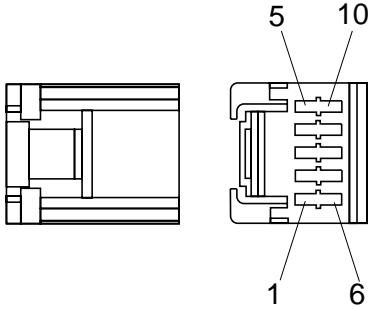
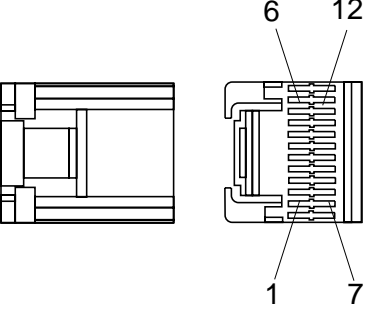
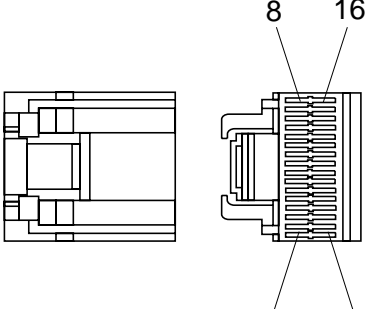
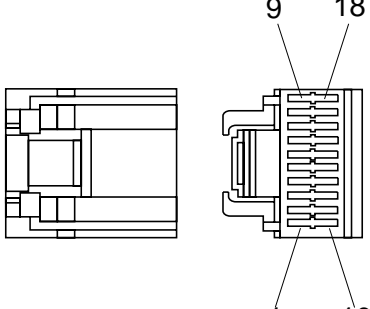
No. of pin	Receptacle connector(Female)	Plug connector(Male)
1	 <p style="text-align: center;">S810-00120</p>	 <p style="text-align: center;">S810-10120</p>
2	 <p style="text-align: center;">S810-002202</p>	 <p style="text-align: center;">S810-102202</p>
3	 <p style="text-align: center;">S810-003202</p>	 <p style="text-align: center;">S810-103202</p>
4	 <p style="text-align: center;">S810-004202</p>	 <p style="text-align: center;">S810-104202</p>

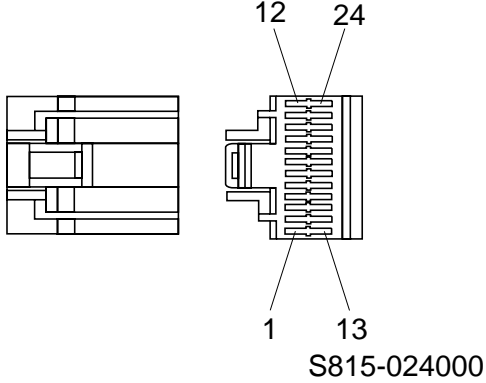
No. of pin	Receptacle connector(Female)	Plug connector(Male)
6	 <p style="text-align: center;">S810-006202</p>	 <p style="text-align: center;">S810-106202</p>
8	 <p style="text-align: center;">S810-008203</p>	 <p style="text-align: center;">S810-108203</p>

### 8) BS TYPE CONNECTOR

No. of pin	Receptacle connector(Female)	Plug connector(Male)
2	 <p data-bbox="684 707 863 741">S812-002001</p>	 <p data-bbox="1259 707 1437 741">S812-102001</p>
3	 <p data-bbox="684 1117 863 1151">S812-003001</p>	 <p data-bbox="1259 1117 1437 1151">S812-103001</p>
4	 <p data-bbox="684 1527 863 1561">S812-004001</p>	 <p data-bbox="1259 1527 1437 1561">S812-104001</p>
6	 <p data-bbox="684 1937 863 1971">S812-006001</p>	 <p data-bbox="1259 1937 1437 1971">S812-106001</p>

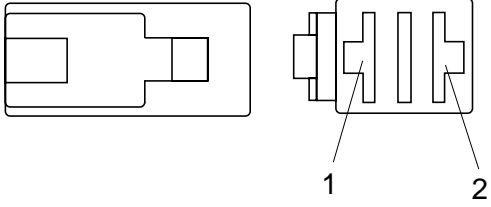
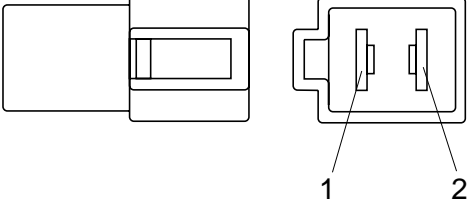
### 9) LC TYPE CONNECTOR

No. of pin	Receptacle connector(Female)	Plug connector(Male)
2	 <p style="text-align: center;">S815-010000</p>	
12	 <p style="text-align: center;">S815-012000</p>	
16	 <p style="text-align: center;">S815-016000</p>	
18	 <p style="text-align: center;">S815-018000</p>	

No. of pin	Receptacle connector(Female)	Plug connector(Male)
24	 <p style="text-align: center;">S815-024000</p>	



### 10) 375 FASTEN TYPE CONNECTOR

No. of pin	Receptacle connector(Female)	Plug connector(Male)
2	 <p style="text-align: center;">S810-002402</p>	 <p style="text-align: center;">S810-102402</p>