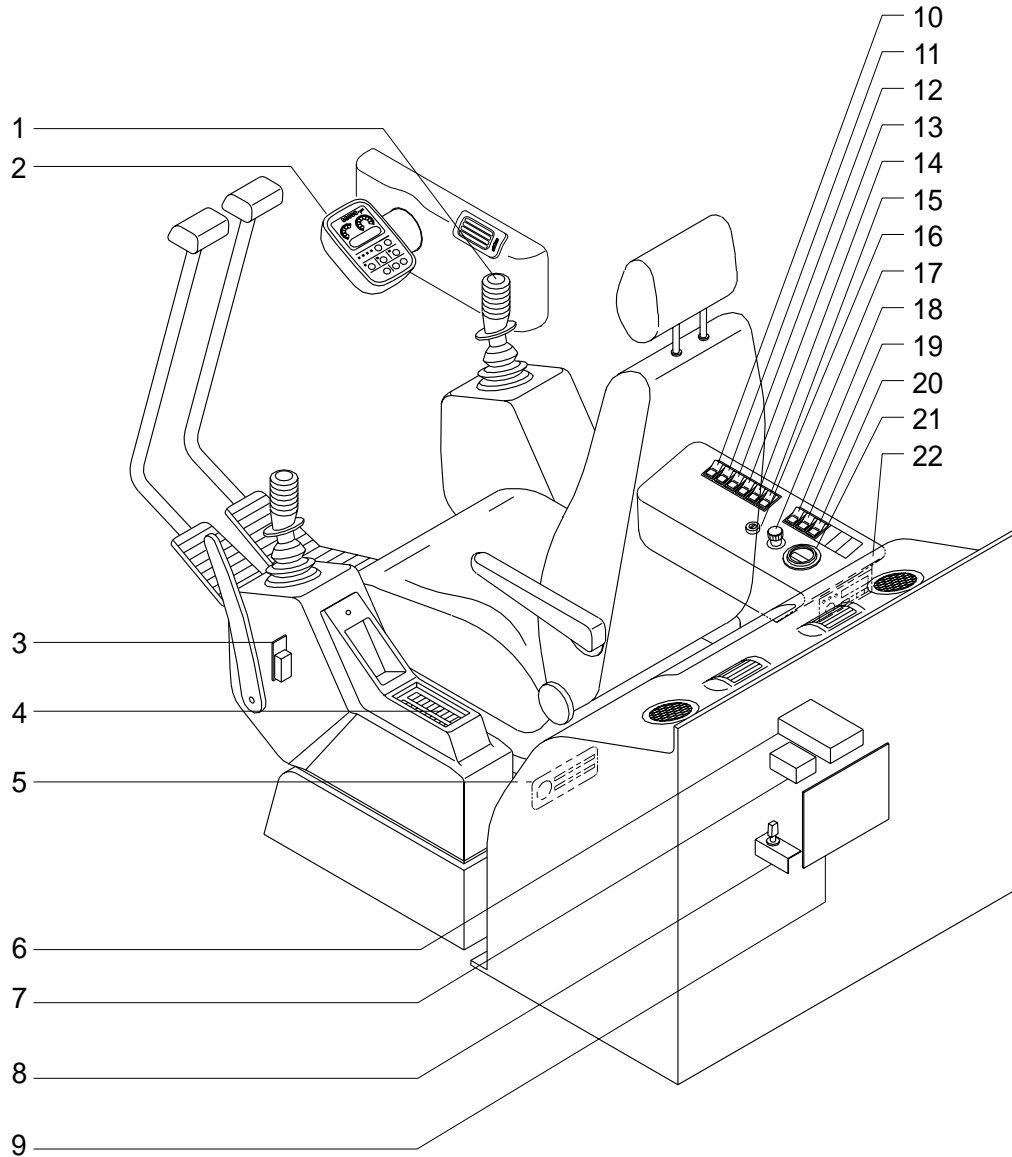


SECTION 4 ELECTRICAL SYSTEM

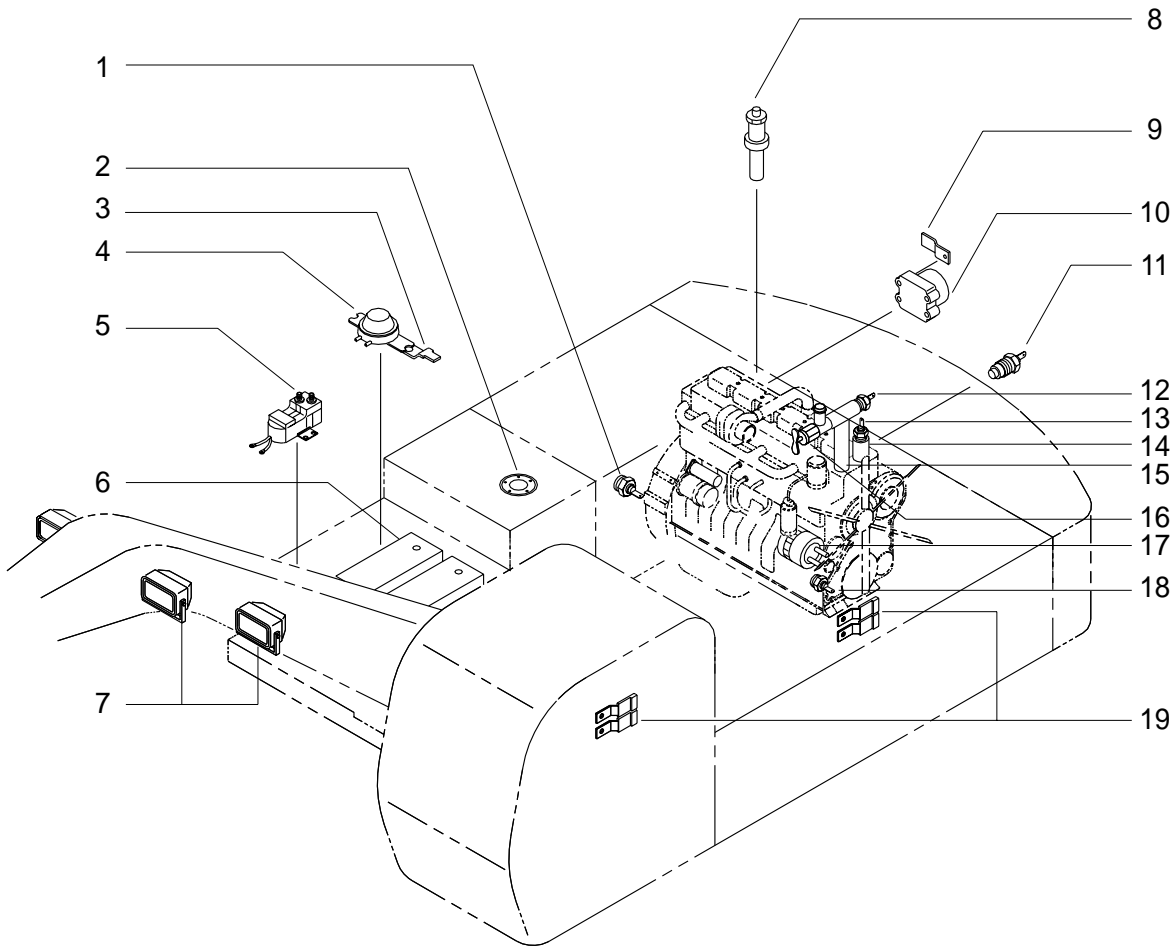
GROUP 1 COMPONENT LOCATION

1. LOCATION 1



- | | | | | | |
|---|----------------------------------|----|----------------------|----|----------------------------|
| 1 | Horn switch | 9 | Relay board assembly | 17 | Cigar light switch |
| 2 | Cluster | 10 | Washer switch | 18 | Cold start switch |
| 3 | Manual engine acceleration lever | 11 | Wiper switch | 19 | Dozer blade switch(option) |
| 4 | Fuse box | 12 | Head light switch | 20 | Breaker switch(option) |
| 5 | Aircon & heater switch | 13 | Work light switch | 21 | Service meter |
| 6 | CPU controller | 14 | Room lamp switch | 22 | Cassette & Radio |
| 7 | Resister | 15 | Travel alarm switch | | |
| 8 | Prolix switch | 16 | Start switch | | |

2. LOCATION 2



- | | | | | | |
|---|--------------------|----|------------------------------|----|--------------------|
| 1 | Temperature sendor | 8 | Engine speed sensor | 15 | Heater adapter |
| 2 | Fuel sendor | 9 | Connector plate | 16 | Heater valve |
| 3 | Connector plate | 10 | Governor motor | 17 | Alternator |
| 4 | Battery relay | 11 | Press oil switch | 18 | Air cleaner switch |
| 5 | Fuel filler pump | 12 | Hydraulic temperature sendor | 19 | Connector plate |
| 6 | Battery | 13 | Over heat switch | | |
| 7 | Light | 14 | Temperature oil adapter | | |