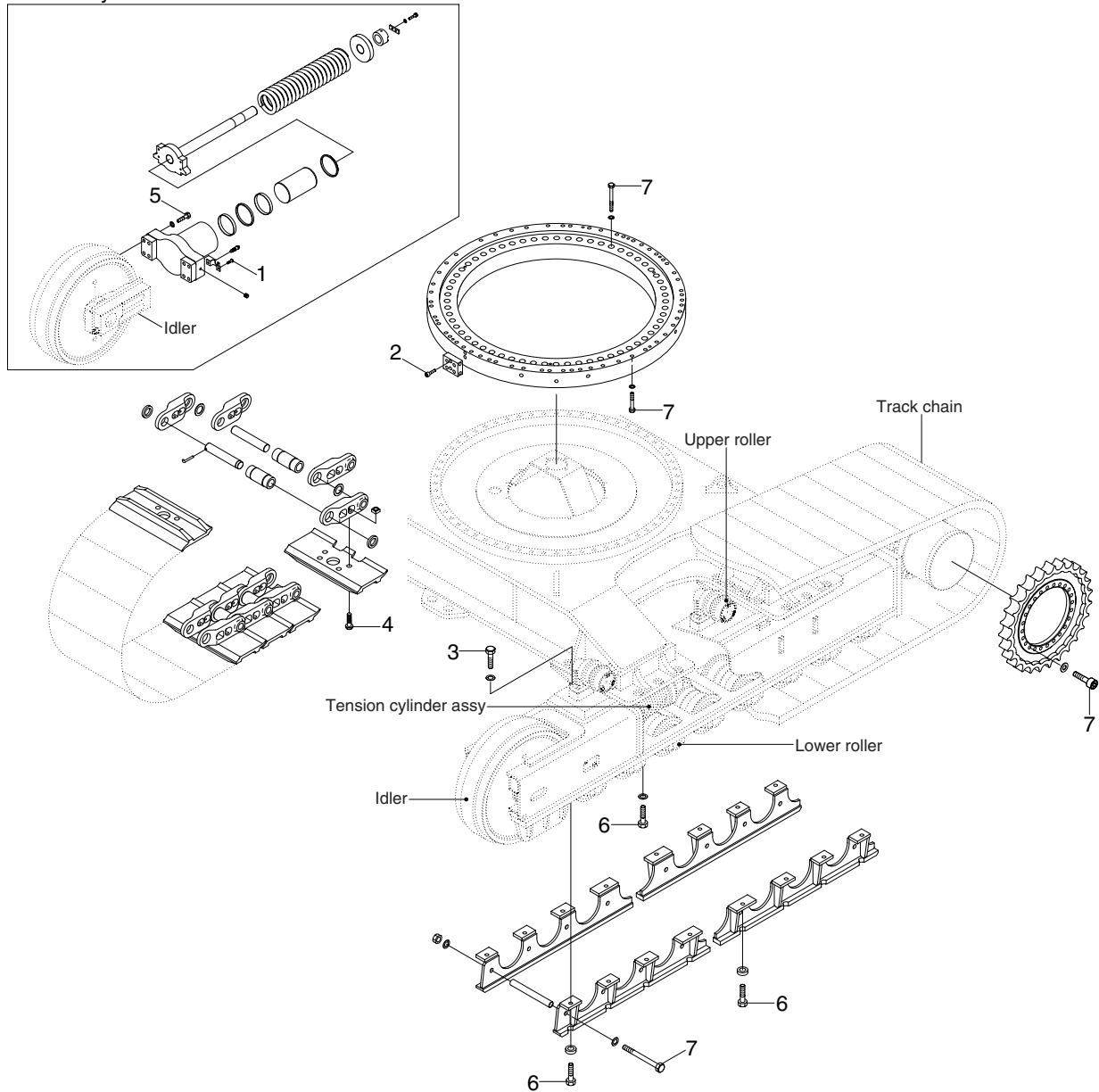


GROUP 5 UNDERCARRIAGE

Tension cylinder



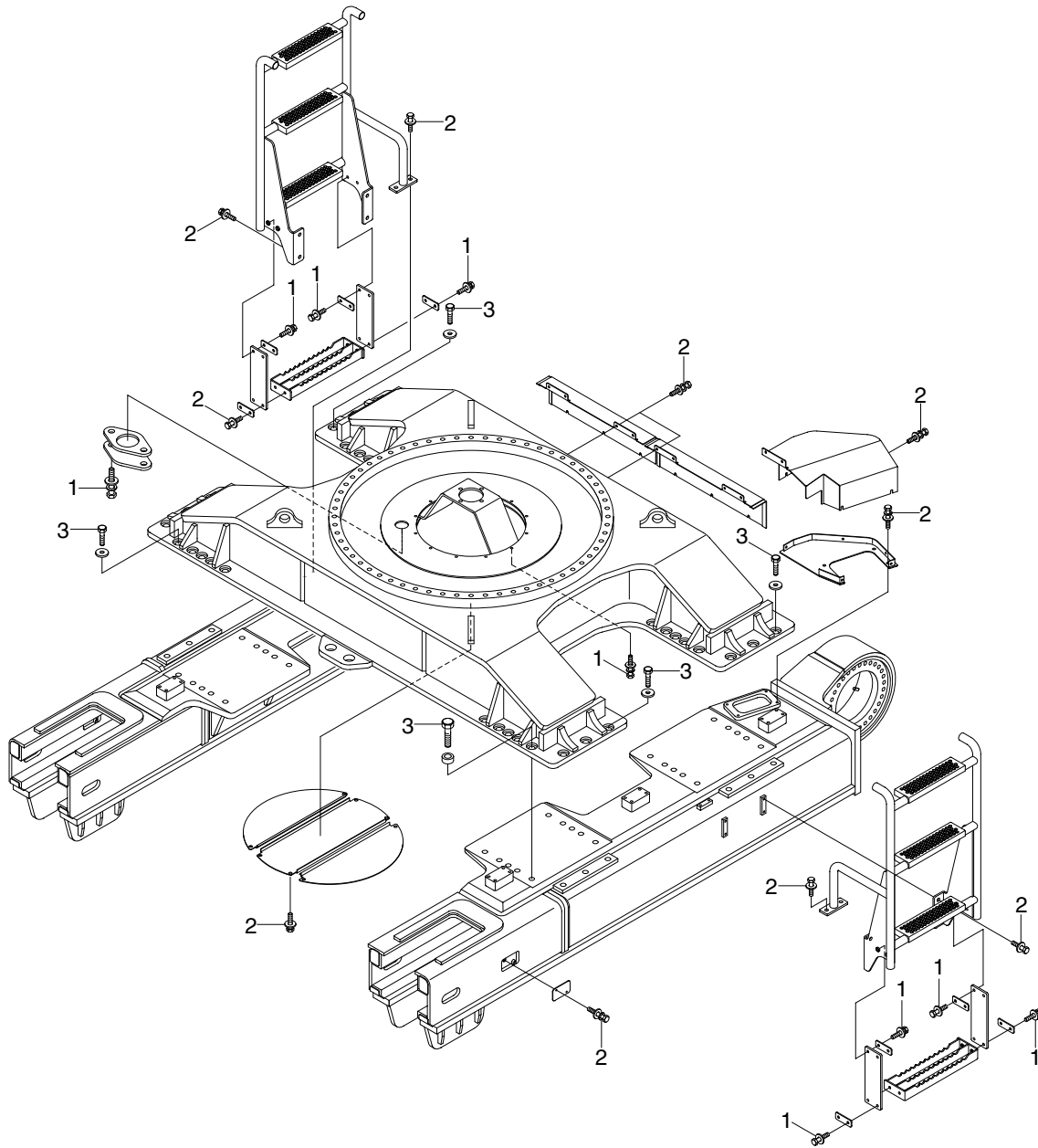
120099CM08

· Tightening torque

Item	Size	kgf · m	lbf · ft
1	M10×1.5	6.9±1.4	49.9±10.1
2	M12×1.75	12.8±3.0	92.6±21.7
3	M20×2.5	57.9±8.7	419±63
4	M24×1.5	240±2.0	1736±50.6

Item	Size	kgf · m	lbf · ft
5	M24×3.0	100±10	723±72.3
6	M27×3.0	140±7.0	1013±50.6
7	M30×3.5	199±10	1439±72.3

COVER AND FOOT BOARD MOUNTING



120099CM09

· Tightening torque

Item	Size	kgf · m	lbf · ft
1	M10×1.5	6.9±1.4	49.9±10.1
2	M12×1.75	12.8±3.0	92.6±21.7
3	M42×4.5	483±48	3494±347