

GROUP 8 TURNING JOINT

1. REMOVAL AND INSTALL

1) REMOVAL

- (1) Lower the work equipment to the ground and stop the engine.
- (2) Operate the control levers and pedals several times to release the remaining pressure in the hydraulic piping.
- (3) Loosen the breather slowly to release the pressure inside the hydraulic tank.

▲ Escaping fluid under pressure can penetrate the skin causing serious injury.

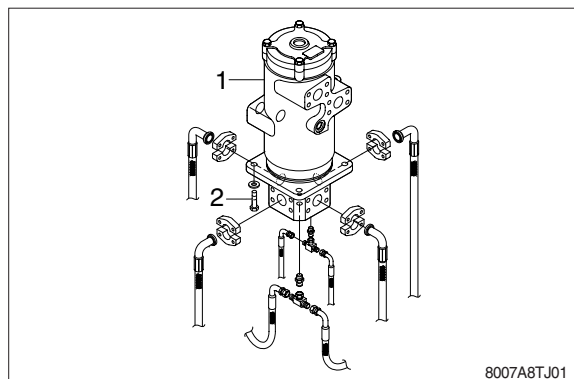
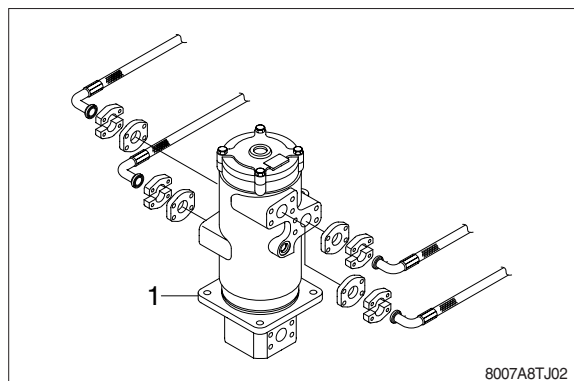
※ When pipes and hoses are disconnected, the oil inside the piping will flow out, so catch it in oil pan.

- (4) Disconnect all hoses .
- (5) Sling the turning joint assembly (1) and remove the mounting bolt (2).
 - Weight : 75 kg (165 lb)
 - Tightening torque : $29.7 \pm 45 \text{ kgf} \cdot \text{m}$
($215 \pm 32.5 \text{ lbf} \cdot \text{ft}$)

- (6) Remove the turning joint assembly.
 - ※ When removing the turning joint, check that all the hoses have been disconnected.

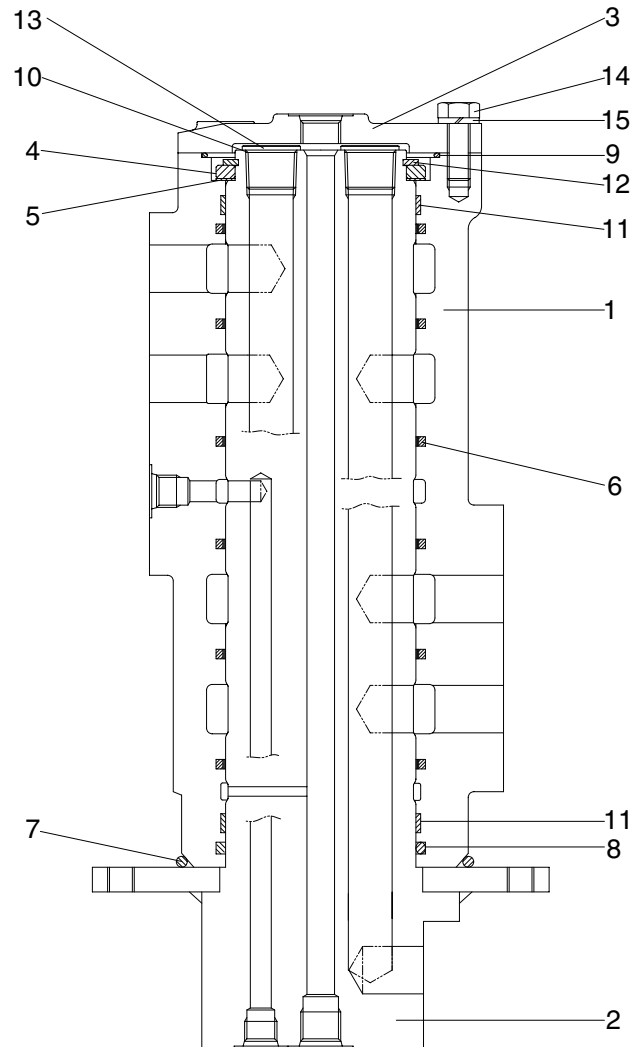
2) INSTALL

- (1) Carry out installation in the reverse order to removal.
 - ※ Take care of turning joint direction.
 - ※ Assemble hoses to their original positions.
 - ※ Confirm the hydraulic oil level and check the hydraulic oil leak or not.



2. DISASSEMBLY AND ASSEMBLY

1) STRUCTURE



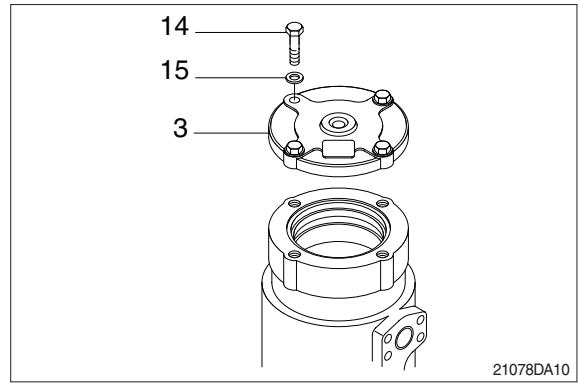
8007A8TJ03

- | | | | | | |
|---|----------------|----|--------------|----|----------------|
| 1 | Hub | 6 | Slipper seal | 11 | Wear ring |
| 2 | Shaft assembly | 7 | O-ring | 12 | Retaining ring |
| 3 | Cover | 8 | O-ring | 13 | Socket plug |
| 4 | Spacer | 9 | O-ring | 14 | Hexagon bolt |
| 5 | Shim | 10 | O-ring | 15 | Spring washer |

2) DISASSEMBLY

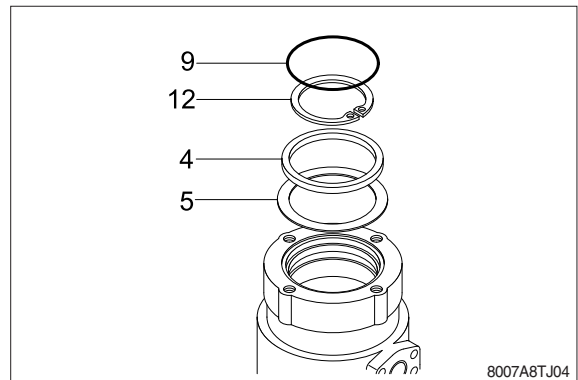
※ Before the disassembly, clean the turning joint.

- (1) Remove bolts (14), washer (15) and cover (3).



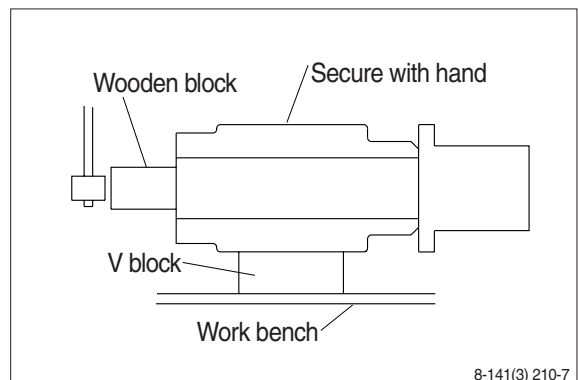
- (2) Remove O-ring (9).

- (3) Remove retainer ring (12), spacer (4) and shim (5).

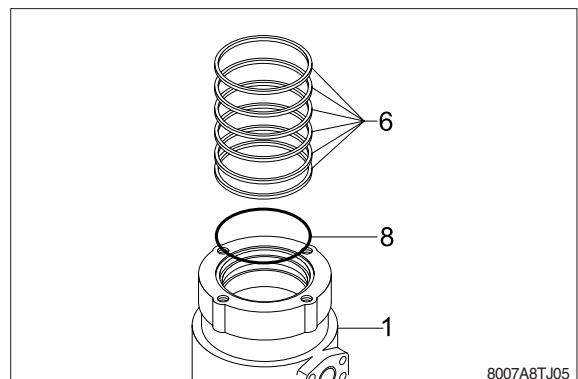


- (4) Place body (1) on a V-block and by using a wood buffer at the shaft end, hit out shaft (2) to about 1/2 from the body with a hammer.

※ Take care not to damage the shaft (2) when remove body (1) or rest it sideways.
※ Put a fitting mark on body (1) and shaft (2).



- (5) Remove six slipper seals (6) and O-ring (8), from body (1).

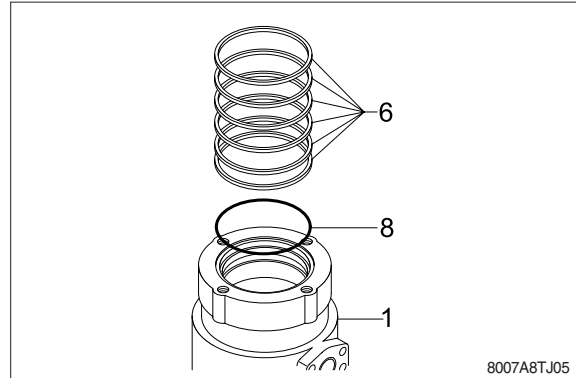


3) ASSEMBLY

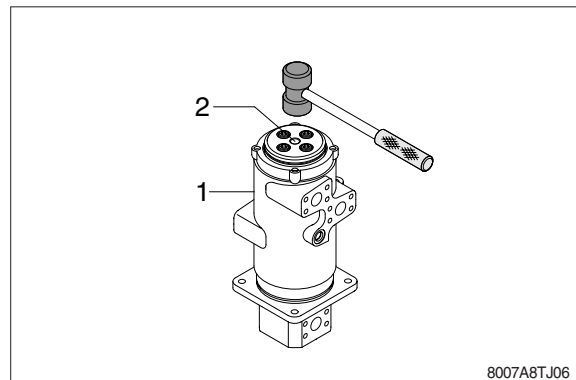
- ※ Clean all parts.
- ※ As a general rule, replace oil seals and O-ring.
- ※ Coat the sliding surfaces of all parts with engine oil or grease before installing.

(1) Fix six slipper seal (6) and O-ring (8), to body (1).

(2) Fit O-ring (7) to shaft(2).

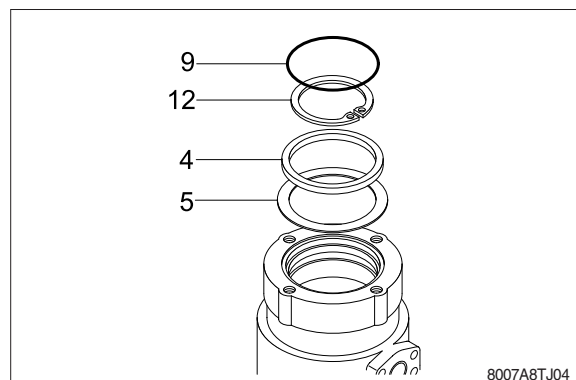


(3) Set shaft (2) on block, tap body (1) with a plastic hammer to install.



(4) Fit shim (5), spacer (4) and retainer ring (12) to shaft (2).

(5) Fit O-ring (9) to body (1).



(7) Install cover (3) to body (1) and tighten bolts (14).

- Torque : 10~12.5 kgf · m
(72.3~90.4 lbf · ft)

