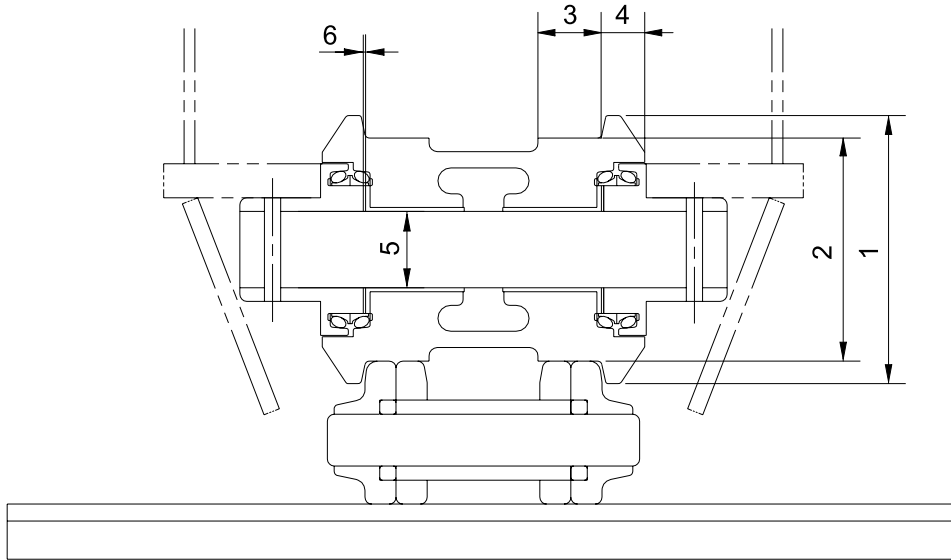


## GROUP 3 TRACK AND WORK EQUIPMENT

### 1. TRACK

#### 1) TRACK ROLLER

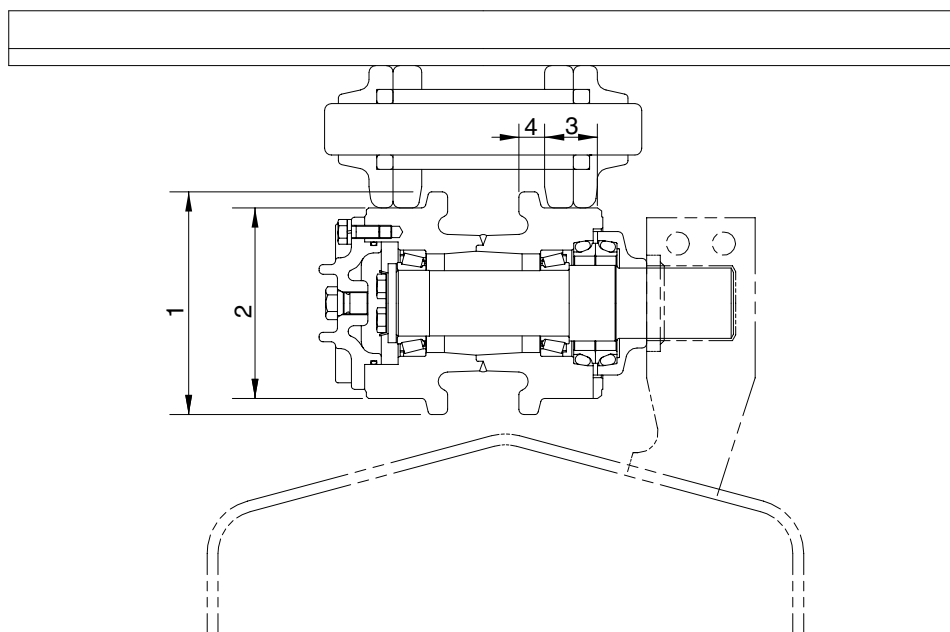


32077MS01

Unit : mm

No.	Check item	Criteria				Remedy
		Standard size		Repair limit		
1	Outside diameter of flange	ø 340		-		Rebuild or replace
2	Outside diameter of tread	ø 280		ø 264		
3	Width of tread	78.5		86.5		
4	Width of flange	38		-		
5	Clearance between shaft and bushing	Standard size & tolerance		Standard clearance	Clearance limit	Replace bushing
		Shaft	Hole			
		ø 122 $\begin{matrix} -0.25 \\ -0.35 \end{matrix}$	ø 122 $\begin{matrix} +0.15 \\ +0.03 \end{matrix}$	0.28 to 0.5	2.0	
6	Side clearance of roller (Both side)	Standard clearance		Clearance limit		Replace
		0.4~1.6		2.5		

## 2) CARRIER ROLLER

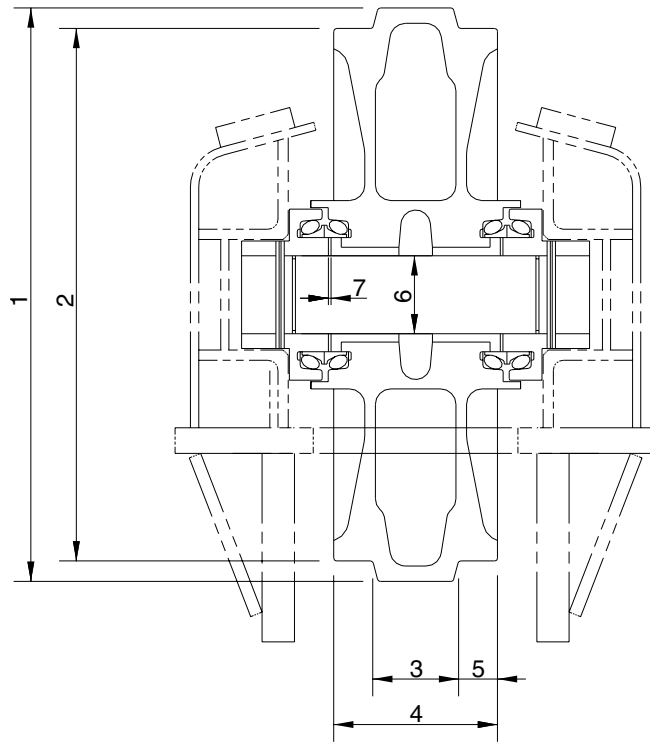


120097MS22

Unit : mm

No.	Check item	Criteria		Remedy
		Standard size	Repair limit	
1	Outside diameter of flange	Standard size	Repair limit	Rebuild or replace
		ø 224	-	
2	Outside diameter of tread	ø 190	ø 180	
3	Width of tread	60	65	
4	Width of flange	21	-	

### 3) IDLER

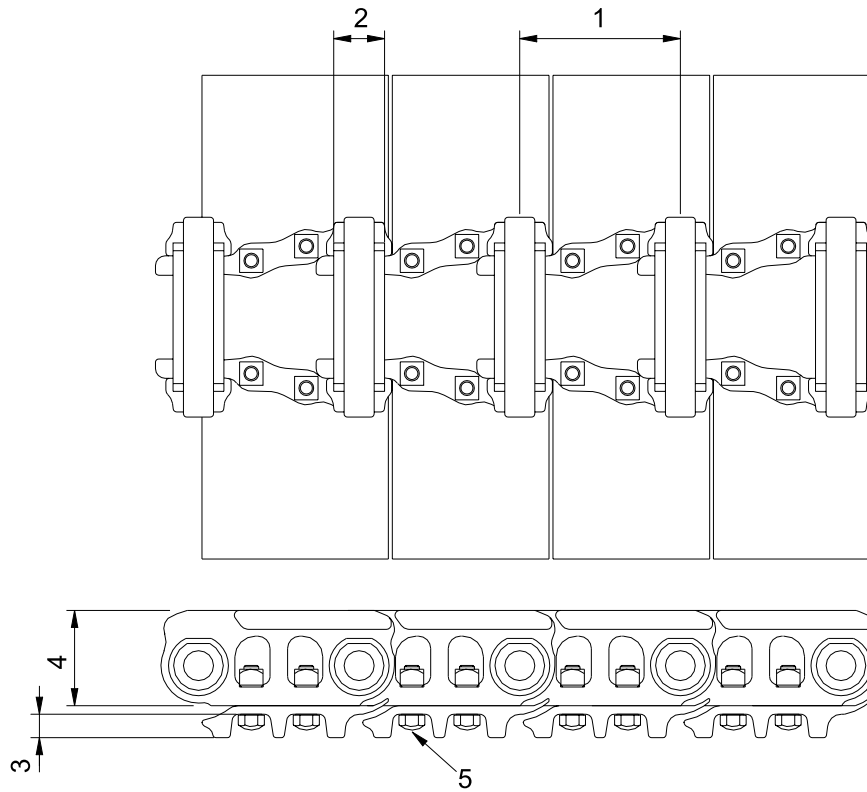


8007A7MS05

Unit : mm

No.	Check item	Criteria		Remedy	
		Standard size	Repair limit		
1	Outside diameter of protrusion	∅ 962	-	Rebuild or replace	
2	Outside diameter of tread	∅ 920	∅ 906		
3	Width of protrusion	136	-		
4	Total width	290	-		
5	Width of tread	77	84		
6	Clearance between shaft and support	Standard size & tolerance		Standard clearance	Clearance limit
		Shaft	Hole		
		∅ 125 <sup>0</sup> <sub>-0.03</sub>	∅ 125 <sup>+0.4</sup> <sub>+0.35</sub>	0.35 to 0.43	2.0
7	Side clearance of idler (Both side)	Standard clearance		Clearance limit	
		0.4 to 1.4		2.0	

#### 4) TRACK

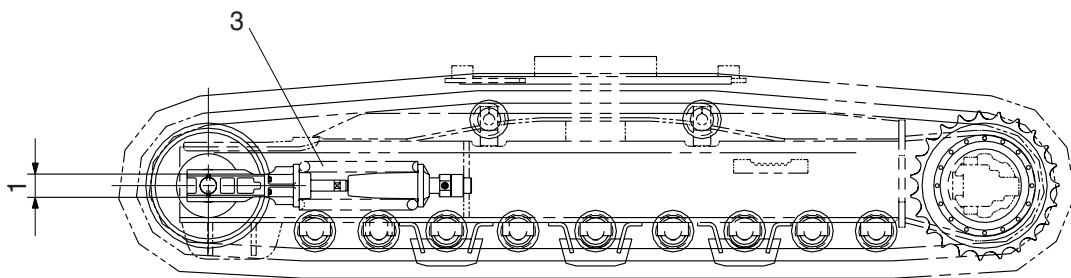
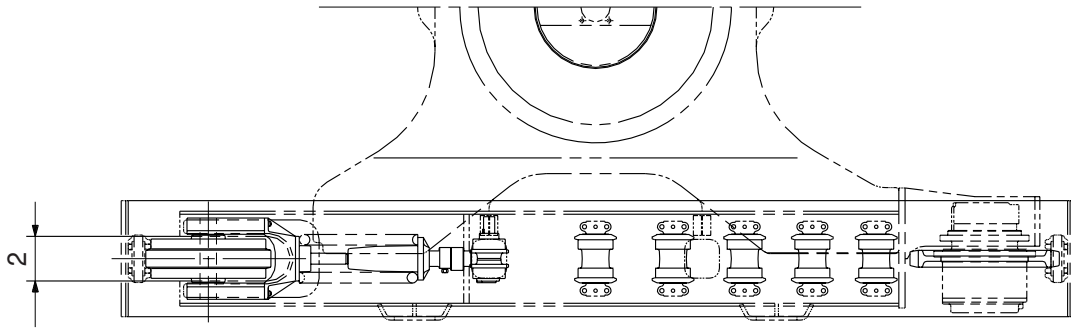


32077MS04

Unit : mm

No.	Check item	Criteria		Remedy
		Standard size	Repair limit	
1	Link pitch	260.35	265.75	Turn or replace
2	Outside diameter of bushing	∅ 90	∅ 78	Rebuild or replace
3	Height of grouser	52	28	
4	Height of link	155	141	Retighten
5	Tightening torque	Initial tightening torque : 220.4 ~ 259.3 kgf · m		

## 5) TRACK FRAME AND RECOIL SPRING

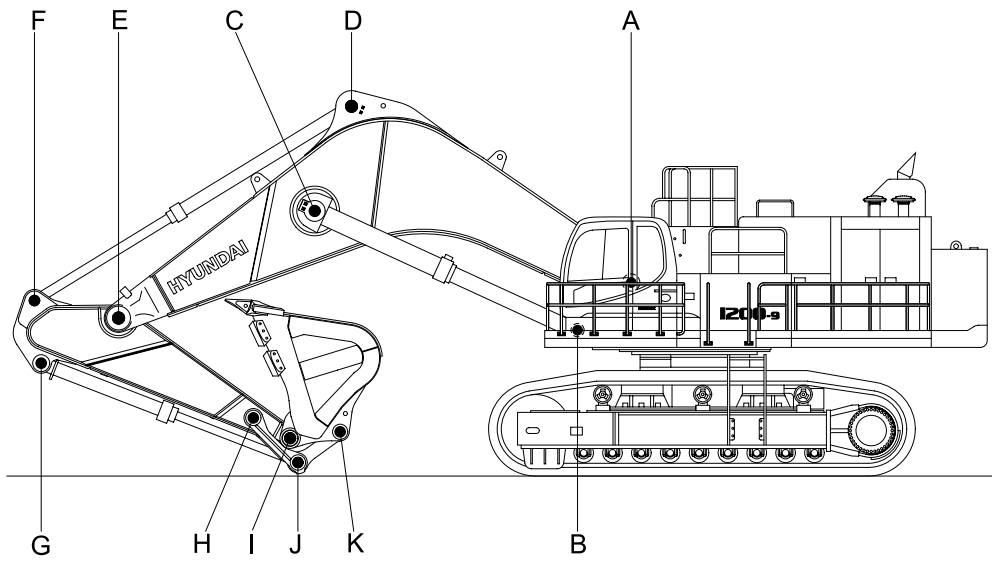


21073MS05

Unit : mm

No.	Check item	Criteria				Remedy	
			Standard size	Tolerance	Repair limit		
1	Vertical width of idler guide	Track frame	198	+2 0	202	Rebuild or replace	
		Idler support	195	0 - 1.5	191		
2	Horizontal width of idler guide	Track frame	393	+2 0	397		
		Idler support	391	-	388		
3	Recoil spring	Standard size		Repair limit		Replace	
		Free length	Installation length	Installation load	Free length		Installation load
		∅ 351 × 1508	1280	58,957 kg	-		47,170 kg

## 2. WORK EQUIPMENT



120097MS20

Unit : mm

Mark	Measuring point (Pin and Bushing)	Normal value	Pin		Bushing		Remedy & Remark
			Recomm. service limit	Limit of use	Recomm. service limit	Limit of use	
A	Boom Rear	160	159	158.5	160.5	161.5	Replace
B	Boom Cylinder Head	160	159	158.5	160.5	161.5	
C	Boom Cylinder Rod	160	159	158.5	160.5	161.5	
D	Arm Cylinder Head	170	169	168.5	170.5	171.5	
E	Boom Front	170	169	168.5	170.5	171.5	
F	Arm Cylinder Rod	170	169	168.5	170.5	171.5	
G	Bucket Cylinder Head	150	149	148.5	150.5	151.5	
H	Arm Link	130	129	128.5	130.5	131.5	
I	Bucket and Arm Link	160	159	158.5	160.5	161.5	
J	Bucket Cylinder Rod	160	159	158.5	160.5	161.5	
K	Bucket Link	140	139	138.5	140.5	141.5	