

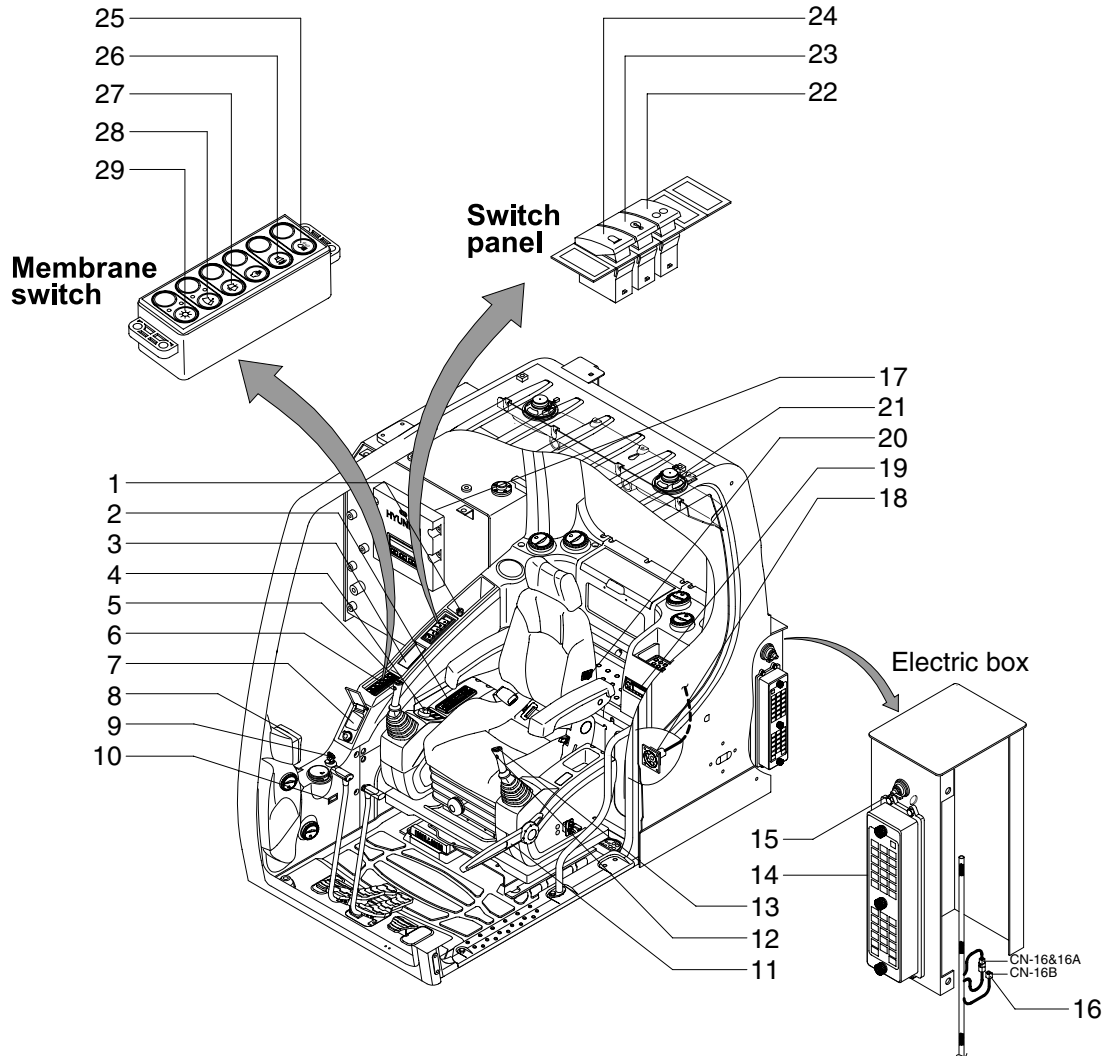
## SECTION 4 ELECTRICAL SYSTEM

Group 1 Component Location .....	4-1
Group 2 Electrical Circuit .....	4-3
Group 3 Electrical Component Specification .....	4-21
Group 4 Connectors .....	4-29

# SECTION 4 ELECTRICAL SYSTEM

## GROUP 1 COMPONENT LOCATION

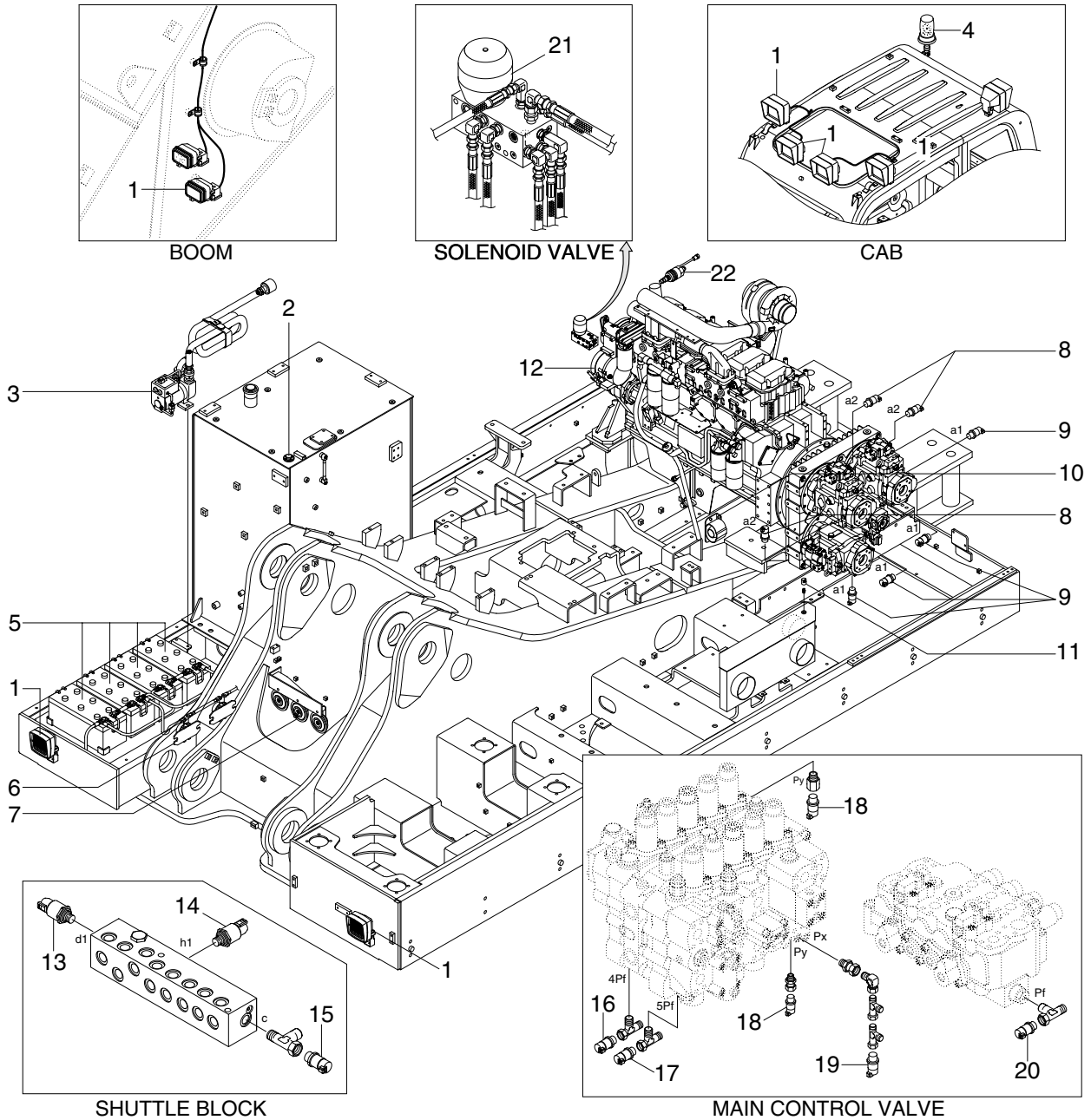
### 1. LOCATION 1



120094EL01

- |                                |                                 |                                      |
|--------------------------------|---------------------------------|--------------------------------------|
| 1 Cigar light                  | 11 Safety lever                 | 21 Speaker                           |
| 2 Aircon & heater switch panel | 12 Power max switch             | 22 Central grease lubrication switch |
| 3 Remote controller            | 13 One touch decel switch       | 23 Overload switch                   |
| 4 Accel dial switch            | 14 Fuse box                     | 24 Beacon switch                     |
| 5 Horn switch                  | 15 Master switch                | 25 Cab light switch                  |
| 6 Breaker operation sw (null)  | 16 Emergency engine connector   | 26 Travel alarm switch               |
| 7 Handsfree                    | 17 MCU                          | 27 Washer switch                     |
| 8 Cluster                      | 18 RS232 & J1939 service socket | 28 Wiper switch                      |
| 9 Starting switch              | 19 Radio & USB player           | 29 Main light switch                 |
| 10 Service meter               | 20 Heated seat switch           |                                      |

## 2. LOCATION 2



120094EL02

- |   |                        |    |                                 |    |                                |
|---|------------------------|----|---------------------------------|----|--------------------------------|
| 1 | Lamp                   | 9  | EPPR pressure sensor            | 16 | Nega control 1 pressure sensor |
| 2 | Fuel sender            | 10 | Travel alarm buzzer             | 17 | Nega control 2 pressure sensor |
| 3 | Fuel filler pump       | 11 | Air cleaner switch              | 18 | Attach pressure sensor         |
| 4 | Beacon lamp            | 12 | Alternator                      | 19 | Travel pressure sensor         |
| 5 | Battery                | 13 | Arm / bucket in pressure sensor | 20 | Nega control pressure sensor   |
| 6 | Battery relay          | 14 | Boom up pressure sensor         | 21 | Solenoid valve                 |
| 7 | Horn                   | 15 | Swing pressure sensor           | 22 | Pump EPPR valve                |
| 8 | P1, P2 pressure sensor |    |                                 |    |                                |