

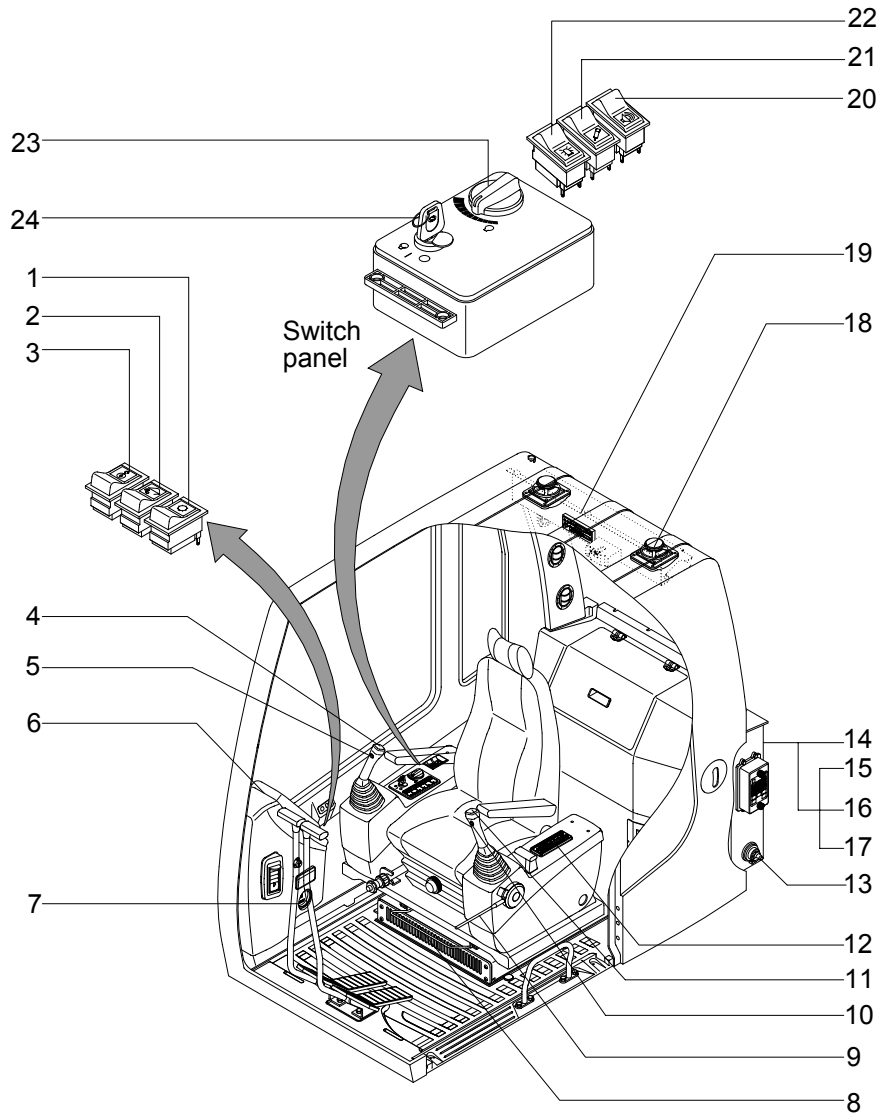
SECTION 4 ELECTRICAL SYSTEM

Group 1 Component Location	4-1
Group 2 Electrical Circuit	4-3
Group 3 Electrical Component Specification	4-23
Group 4 Connectors	4-35

SECTION 4 ELECTRICAL SYSTEM

GROUP 1 COMPONENT LOCATION

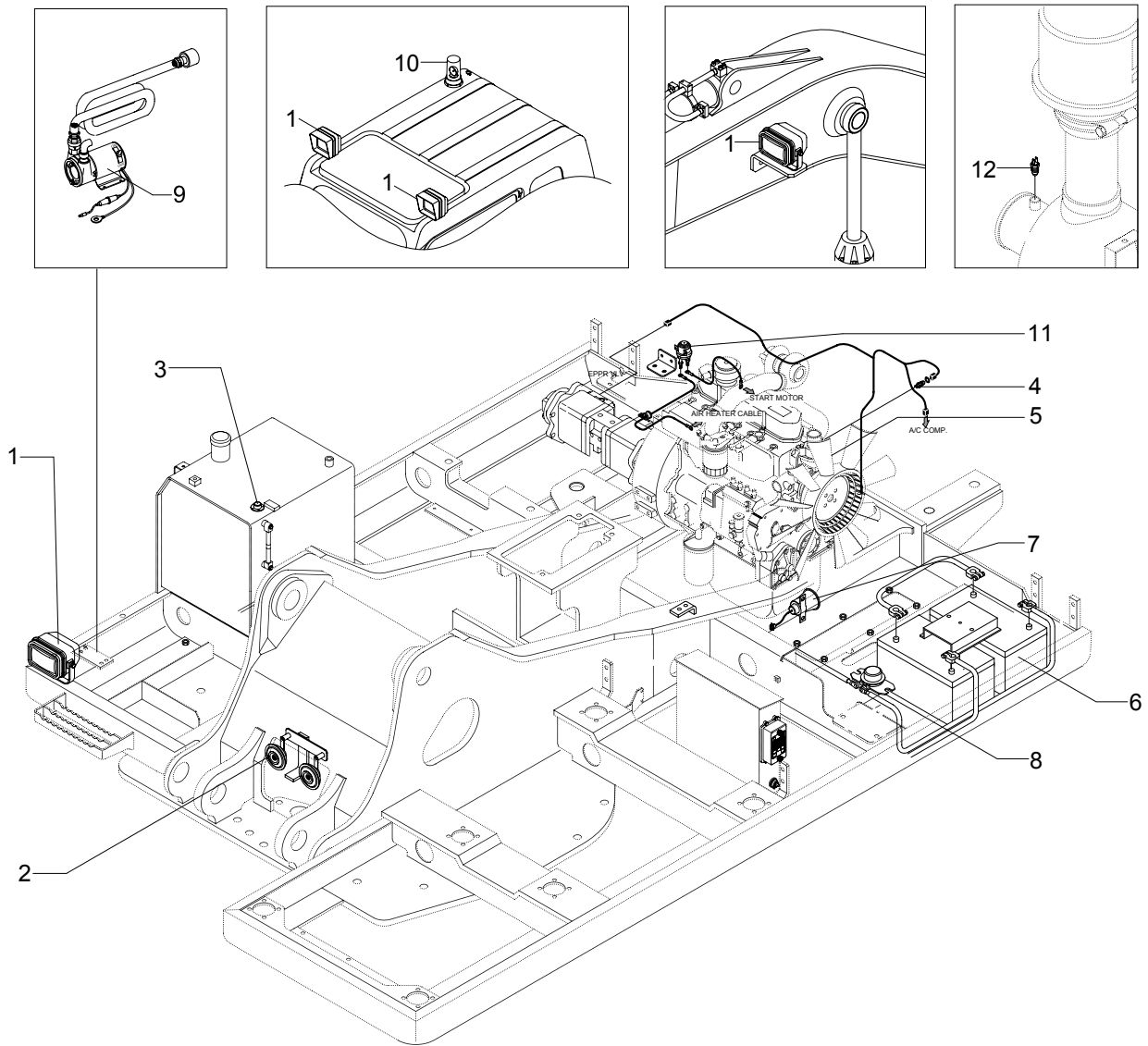
1. LOCATION 1



11074EL01

- | | | | | | |
|---|-------------------------------------|----|------------------------|----|--------------------------|
| 1 | Main light switch | 9 | Safety lever | 17 | Fuse box |
| 2 | Quick coupling switch | 10 | Power max switch | 18 | Speaker |
| 3 | Overload switch | 11 | One touch decel switch | 19 | Cassette radio |
| 4 | Horn switch | 12 | Air-con switch | 20 | Travel alarm stop switch |
| 5 | Breaker operation switch | 13 | Master switch | 21 | Breaker selection switch |
| 6 | Cluster | 14 | Electric box | 22 | Beacon switch |
| 7 | Hour meter | 15 | CPU controller | 23 | Accel dial |
| 8 | Emergency engine acceleration lever | 16 | Prolix resistor | 24 | Start switch |

2. LOCATION 2



11074EL02

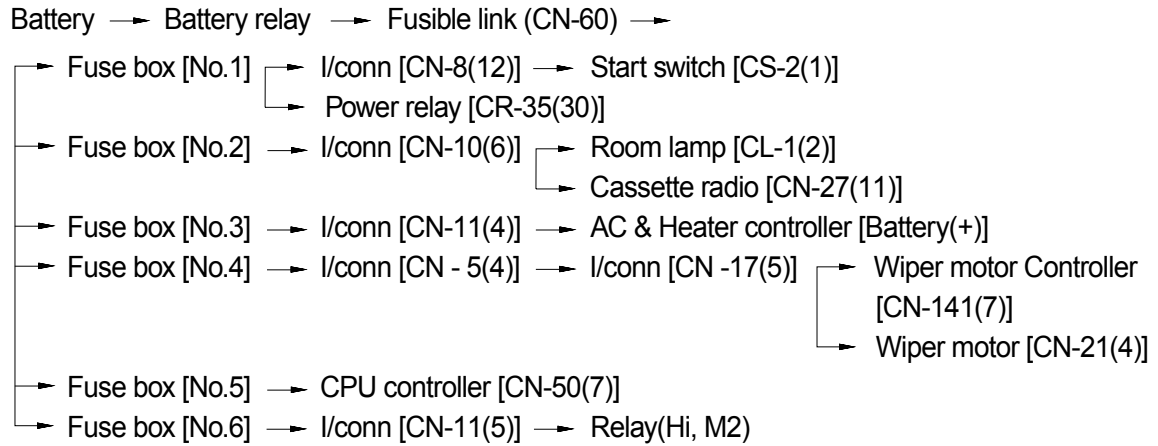
- | | | | | | |
|---|-------------|---|---------------------|----|--------------------|
| 1 | Lamp | 5 | Alternator | 9 | Fuel filler pump |
| 2 | Horn | 6 | Battery | 10 | Beacon lamp |
| 3 | Fuel sender | 7 | Travel alarm buzzer | 11 | Heater relay |
| 4 | Temp sender | 8 | Battery relay | 12 | Air cleaner switch |

1. POWER CIRCUIT

The negative terminal of battery is grounded to the machine chassis.

When the start switch is in the OFF position, the current flows from the positive battery terminal as shown below.

1) OPERATING FLOW



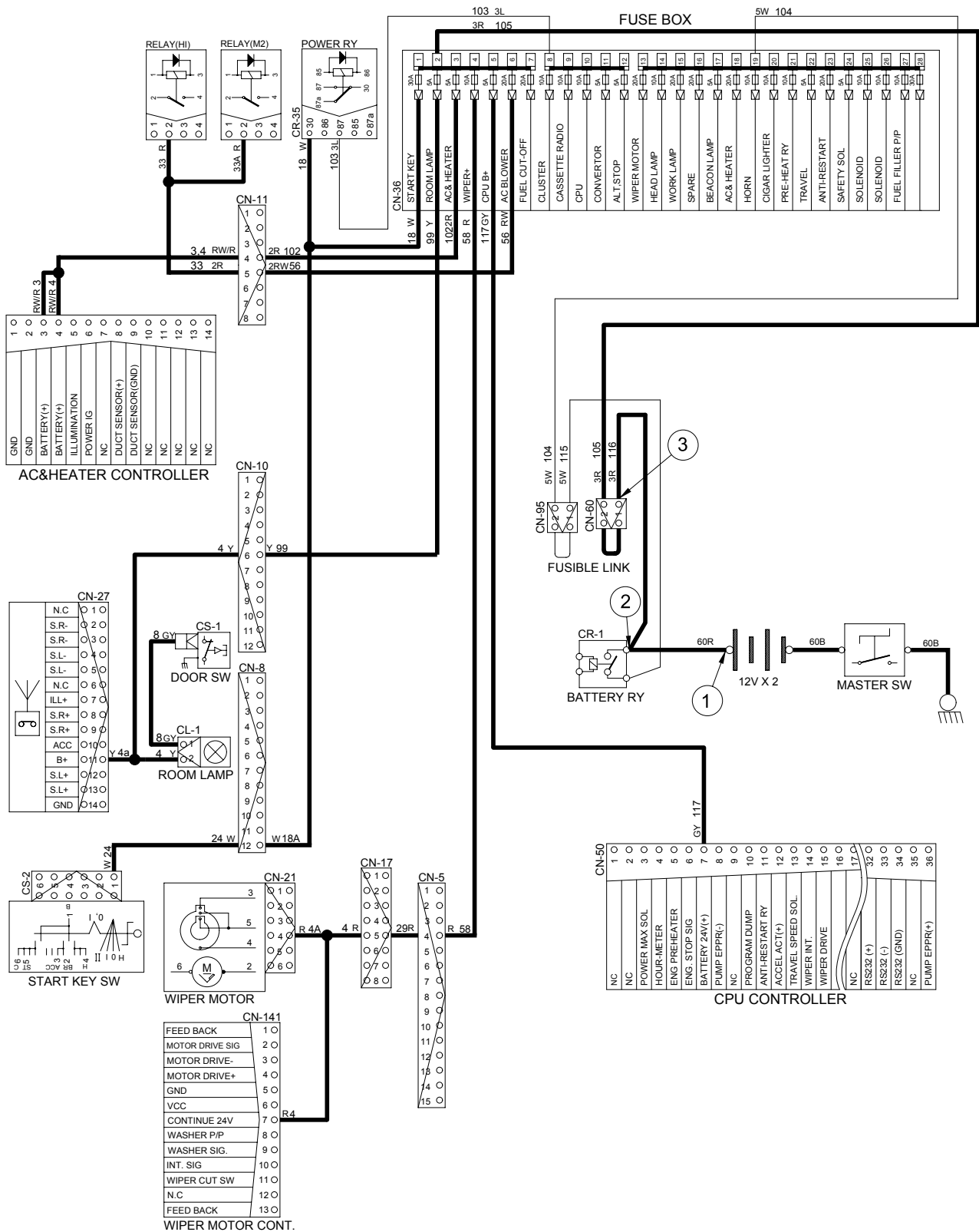
※ I/conn : Intermediate connector

2) CHECK POINT

Engine	Start switch	Check point	Voltage
OFF	OFF	① - GND (Battery 2 EA) ② - GND (Battery 2 EA) ③ - GND (Fusible link)	20~25V 20~25V 20~25V

※ GND : Ground

POWER CIRCUIT



2. STARTING CIRCUIT

1) OPERATING FLOW

Battery(+) terminal → Battery relay[CR-1] → Fusible link → Fuse box No.1
 → I/conn [CN-8(12)] → Start key [CS-2(1)]

※ Start switch : ON

→ Start switch ON [CS-2(2)] → I/conn [CN-8(11)] → Diode[DO-2] →
 Battery relay [CR-1]:Battery relay operating(All power is supplied with the electric component)
 → Start switch ON [CS-2(3)] → I/conn [CN-8(10)] →
 GPS Connector[CN-125(2) → CN-125(4)] → Power relay [CR-35(86) → (87)] →
 Fuse box No.12 → I/conn [CN-2(4)] → Alterlator[CN-74(2)]

※ Start switch : START

Start switch START[CS-2(5)] → I/conn[CN-8(9)] → Anti-restart relay [CR-5(86) → (30)]
 → I/conn [CN-2(2)] → Start relay [CR-23]

2) CHECK POINT

Engine	Start switch	Check point	Voltage
Operating	Start	① - GND (Battery) ② - GND (Start key) ③ - GND (Battery relay M4) ④ - GND (Starter B □) ⑤ - GND (Starter M) ⑥ - GND (Start relay) ⑦ - GND (Battery relay M8)	20 ~ 25V

※ GND : Ground

3. CHARGING CIRCUIT

When the starter is activated and the engine is started, the operator releases the key switch to the ON position.

Charging current generated by operating alternator flows into the battery through the Battery relay(CR-1).

The current also flows from alternator to each electrical component and controller through the fuse box.

1) OPERATING FLOW

(1) Warning flow

Alternator "I" terminal → I/conn [CN-2(3)] → CPU Controller [CN-51(9)] → Cluster warning lamp (Via serial interface)

(2) Charging flow

Alternator "B+" terminal → Battery relay → Battery(+) terminal
 → Fusible link → Fuse box

2) CHECK POINT

Engine	Start switch	Check point	Voltage
ON	ON	① - GND (Battery voltage) ② - GND (Battery relay) ③ - GND (Alternator B ⁺ terminal) ④ - GND (Alternator I terminal) ⑤ - GND (CPU)	20~27V

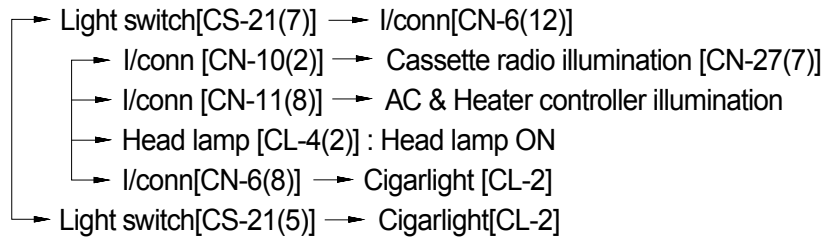
※ GND : Ground

4. HEAD LAMP CIRCUIT

1) OPERATING FLOW

Fuse box (No.14) → I/conn [CN-5(15)] → Light switch[CS-21(1)]

※ When lamp switch ON

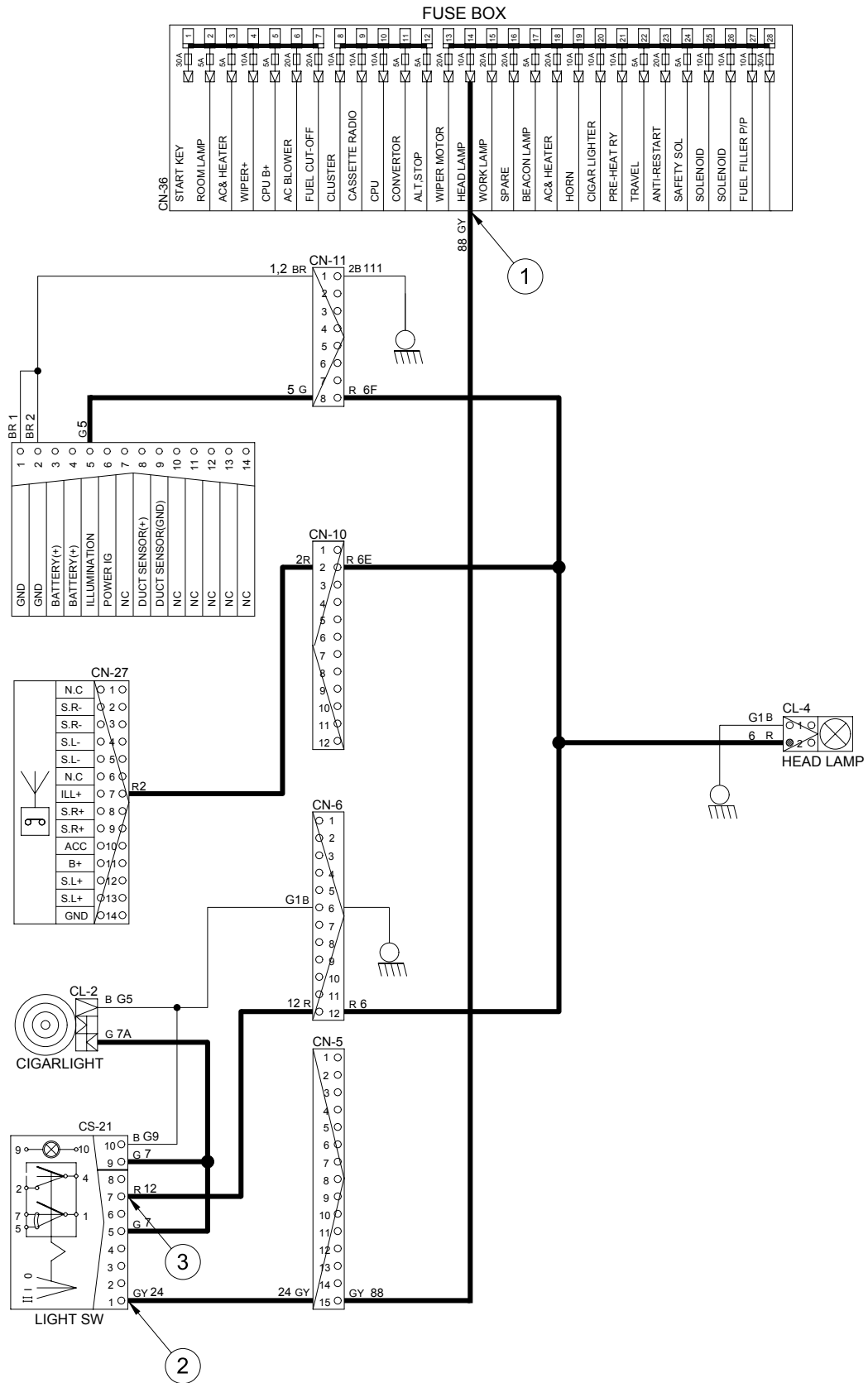


2) CHECK POINT

Engine	Key switch	Check point	Voltage
STOP	ON	① - GND (Fuse box) ② - GND (Switch power input) ③ - GND (Switch power output)	20~25V

※ GND : Ground

HEAD LAMP CIRCUIT



11074EL07

5. WORK LAMP CIRCUIT

1) OPERATING FLOW

Fuse box (No.15) → I/conn [CN-5(14)] → Light switch[CS-21(4)]

※ When work lamp switch ON

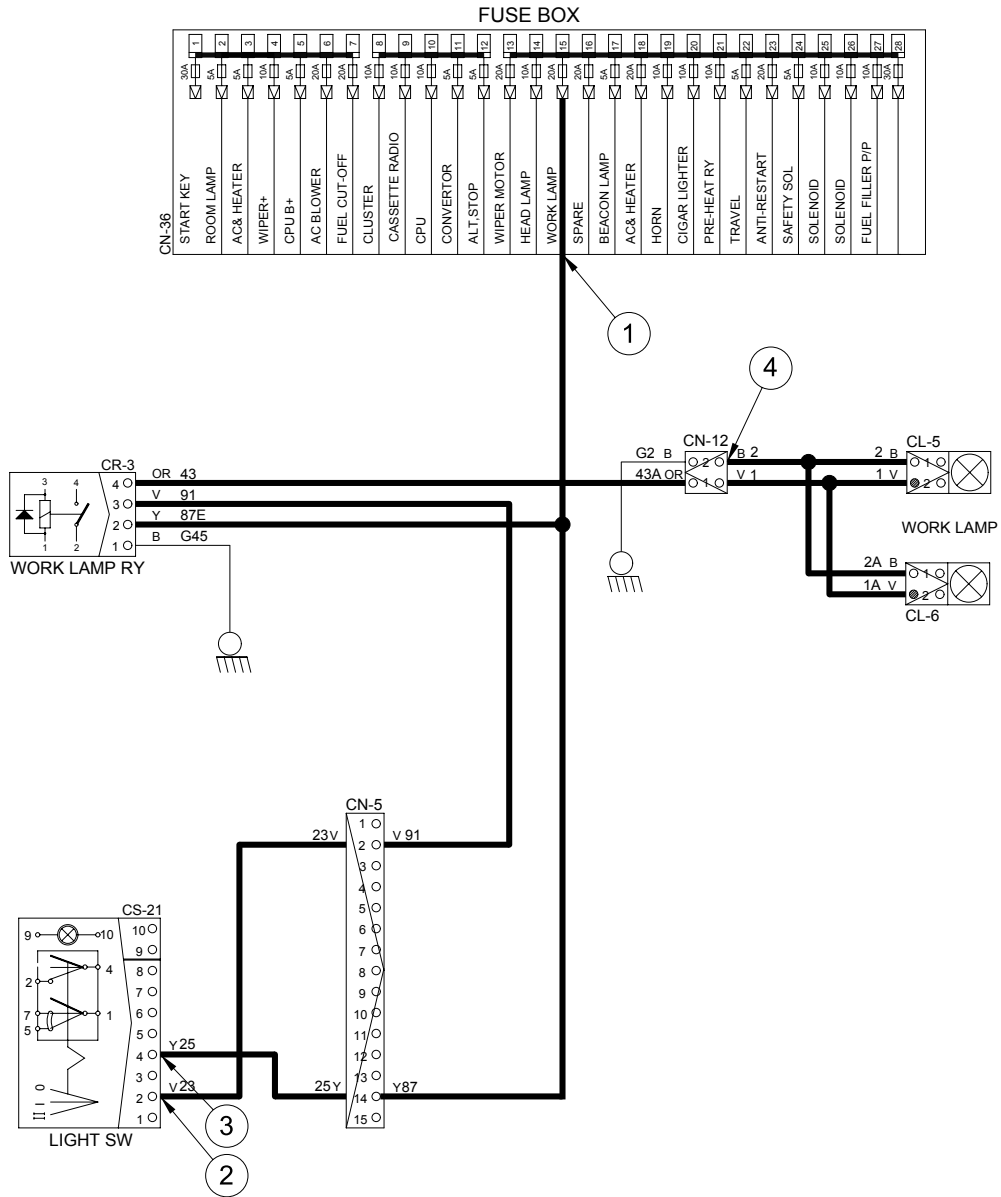
Work lamp switch ON [CS-21(2)] → I/conn [CN-5(2)] → Work lamp relay[CR-3(3)→(4)] →
I/conn[CN-12(1)] → Work lamp ON [CL-5(2), CL-6(2)]

2) CHECK POINT

Engine	Key switch	Check point	Voltage
STOP	ON	① - GND (Fuse box) ② - GND (Light switch input) ③ - GND (Light switch output) ④ - GND (Work lamp)	20~25V

※ GND : Ground

WORK LAMP CIRCUIT



11074EL08

6. CAB LAMP CIRCUIT

1) OPERATING FLOW

Fuse box (No.15) → I/conn [CN-5(14)] → Light switch[CS-21(4)]

※ When Lamp switch ON

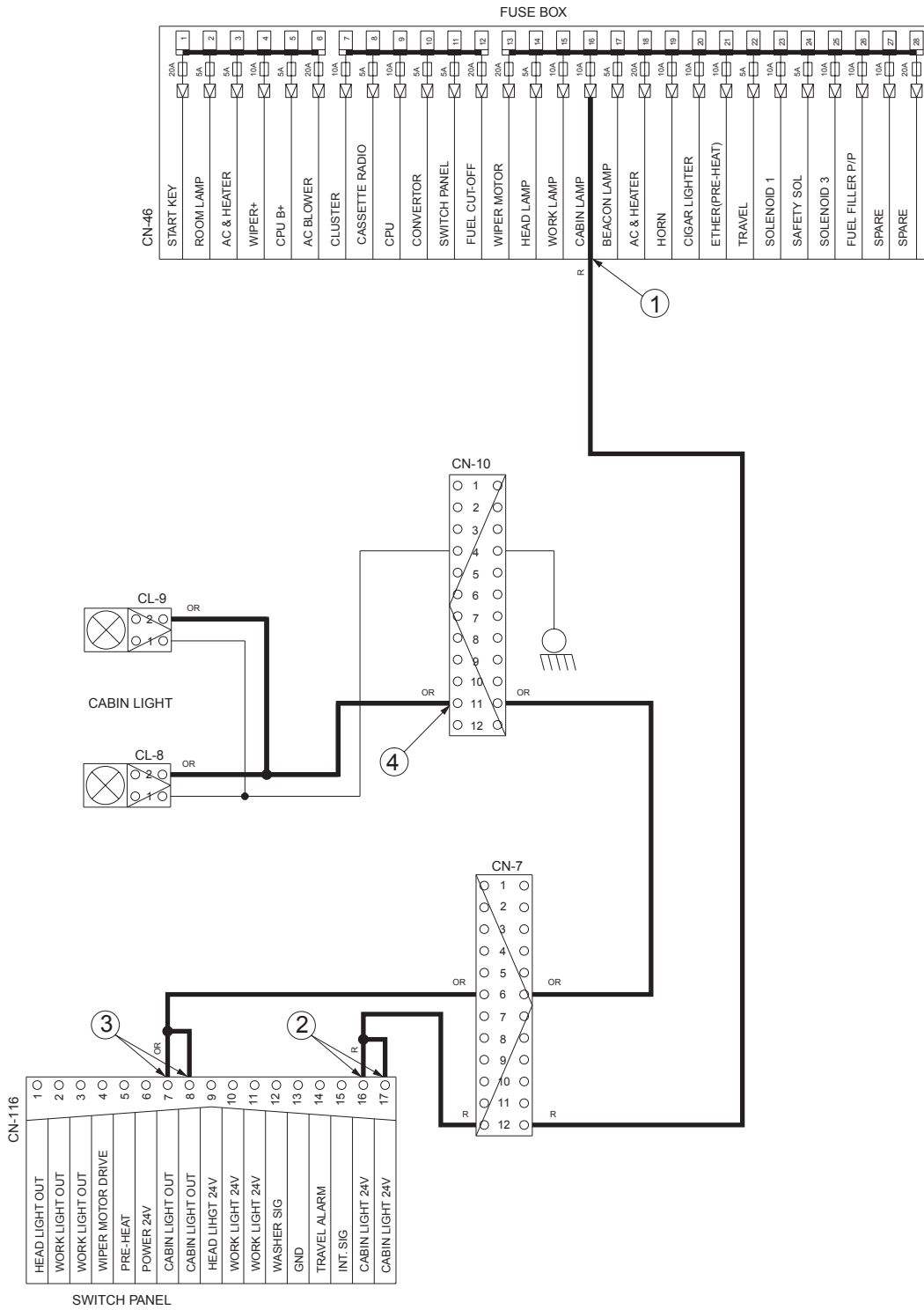
Lamp switch ON [CS-21(2)] → I/conn [CN-5(2)] → Work lamp relay[CR-3(3)→(4)] →
I/conn [CN-10(11)] → Cab light ON [CL-8(2), CL-9(2)]

2) CHECK POINT

Engine	Start switch	Check point	Voltage
STOP	ON	① - GND (Fuse box) ② - GND (Light switch input) ③ - GND (Light switch output) ④ - GND (Cab lamp)	20 ~ 25V

※ GND : Ground

CAB LAMP CIRCUIT



14074EL09

7. BEACON LAMP CIRCUIT

1) OPERATING FLOW

Fuse box (No.16) → I/conn [CN-8(3)] → Beacon lamp switch [CS-23(6)]

※ When lamp switch ON

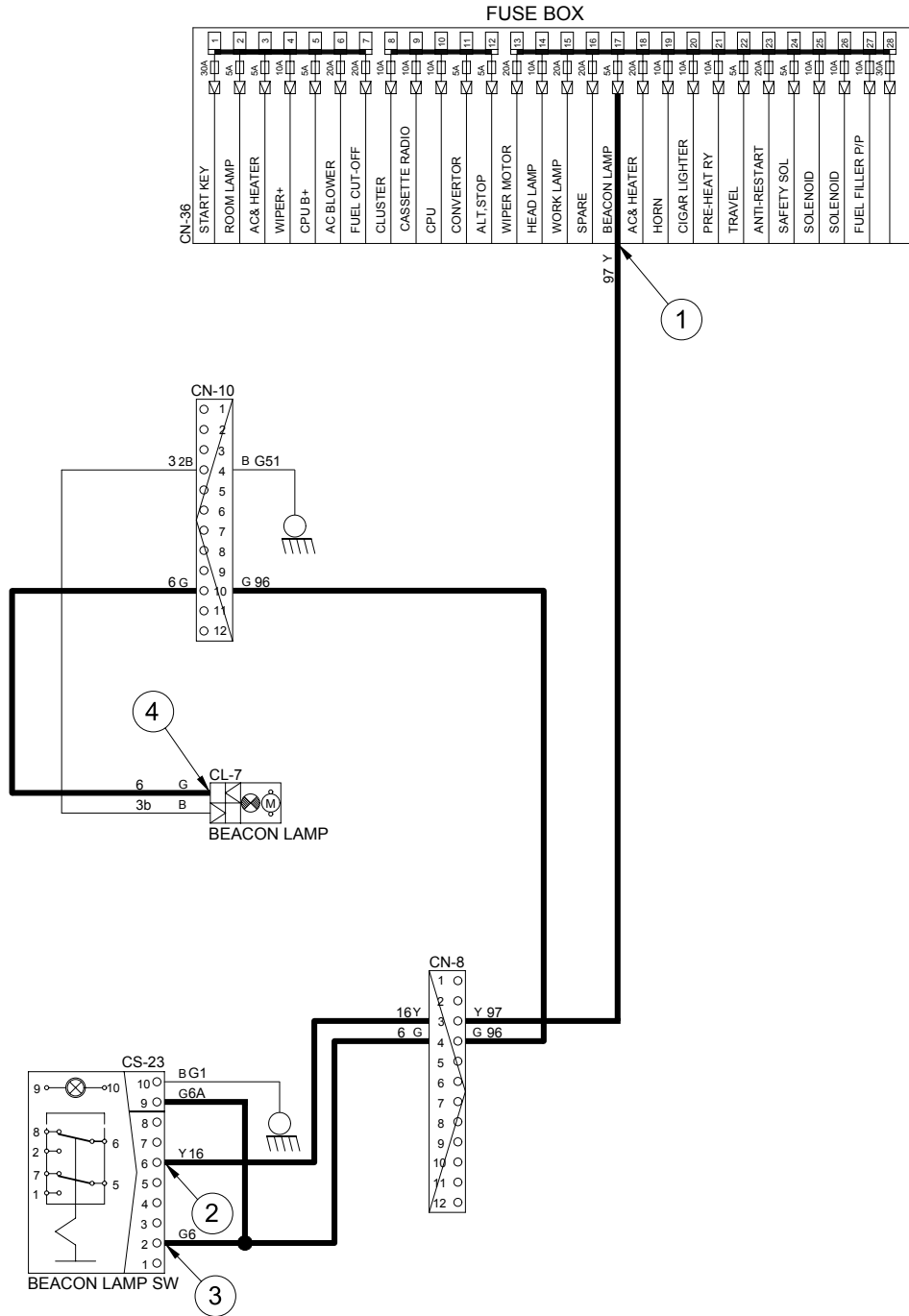
Beacon lamp switch ON [CS-23(2)] → Switch Indicator lamp ON [CS-23(9)]
→ I/conn [CN-8(4)] → I/conn [CN-10(10)]
→ Beacon lamp ON [CL-7]

2) CHECK POINT

Engine	Start switch	Check point	Voltage
STOP	ON	① - GND(Fuse box) ② - GND(Switch power input) ③ - GND(Switch power output) ④ - GND(Beacon lamp)	20~25V

※ GND : Ground

BEACON LAMP CIRCUIT

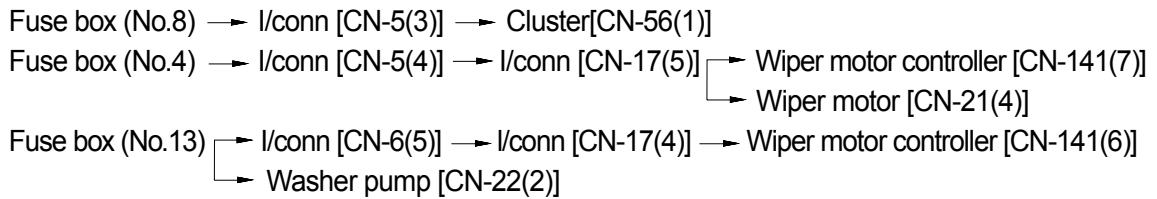


11074EL10

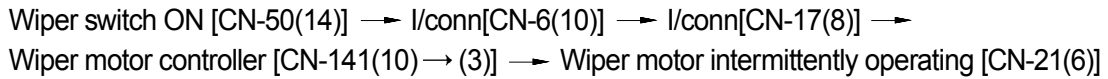
8. WIPER AND WASHER CIRCUIT

1) OPERATING FLOW

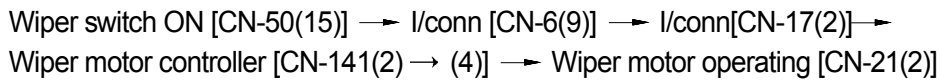
(1) Key switch ON



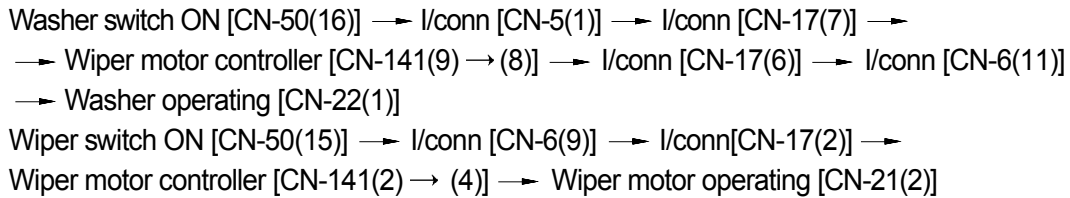
(2) Wiper switch ON (Intermittent)



(3) Wiper switch ON



(4) Washer switch ON



(5) Auto parking (When switch OFF)

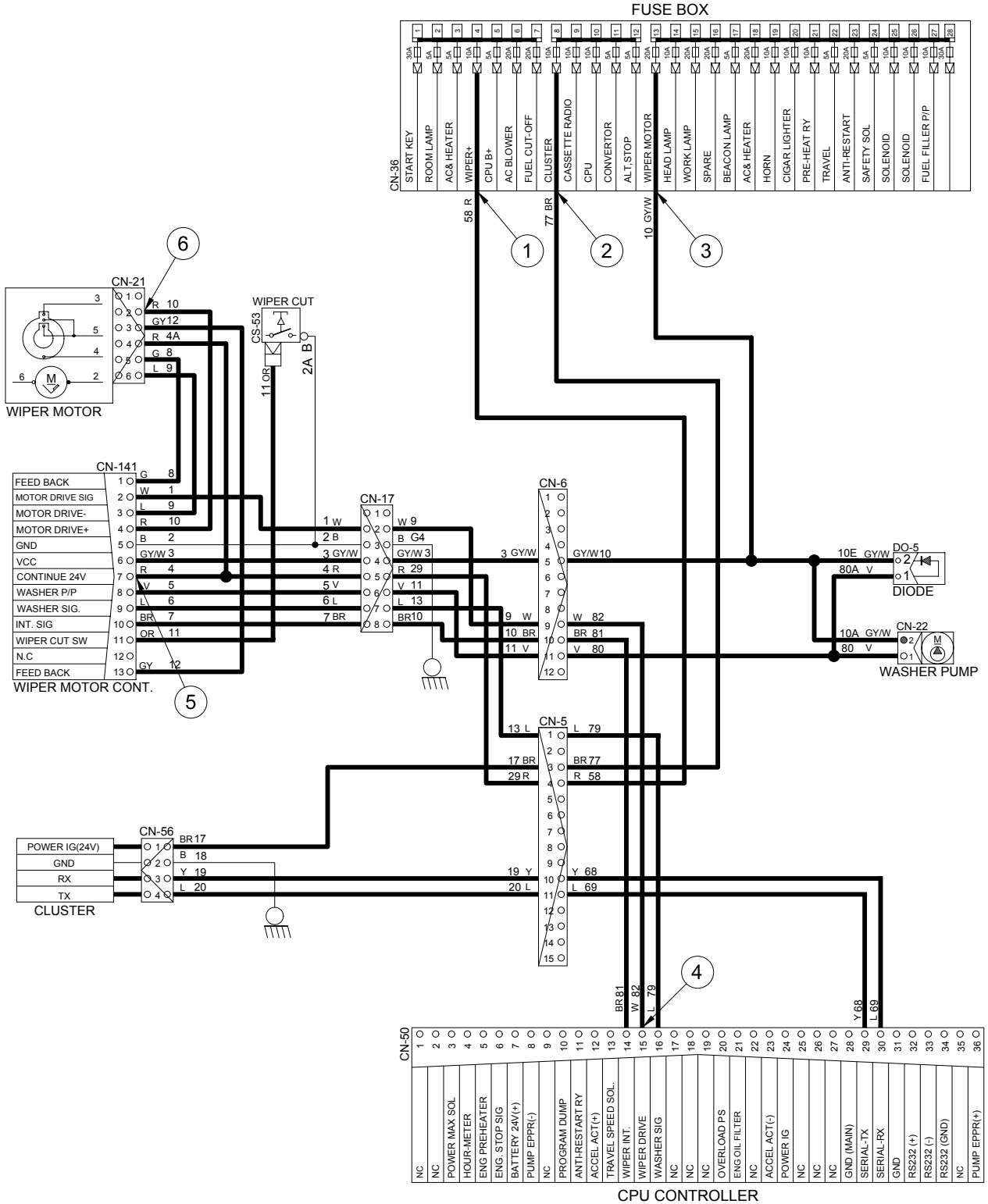


2) CHECK POINT

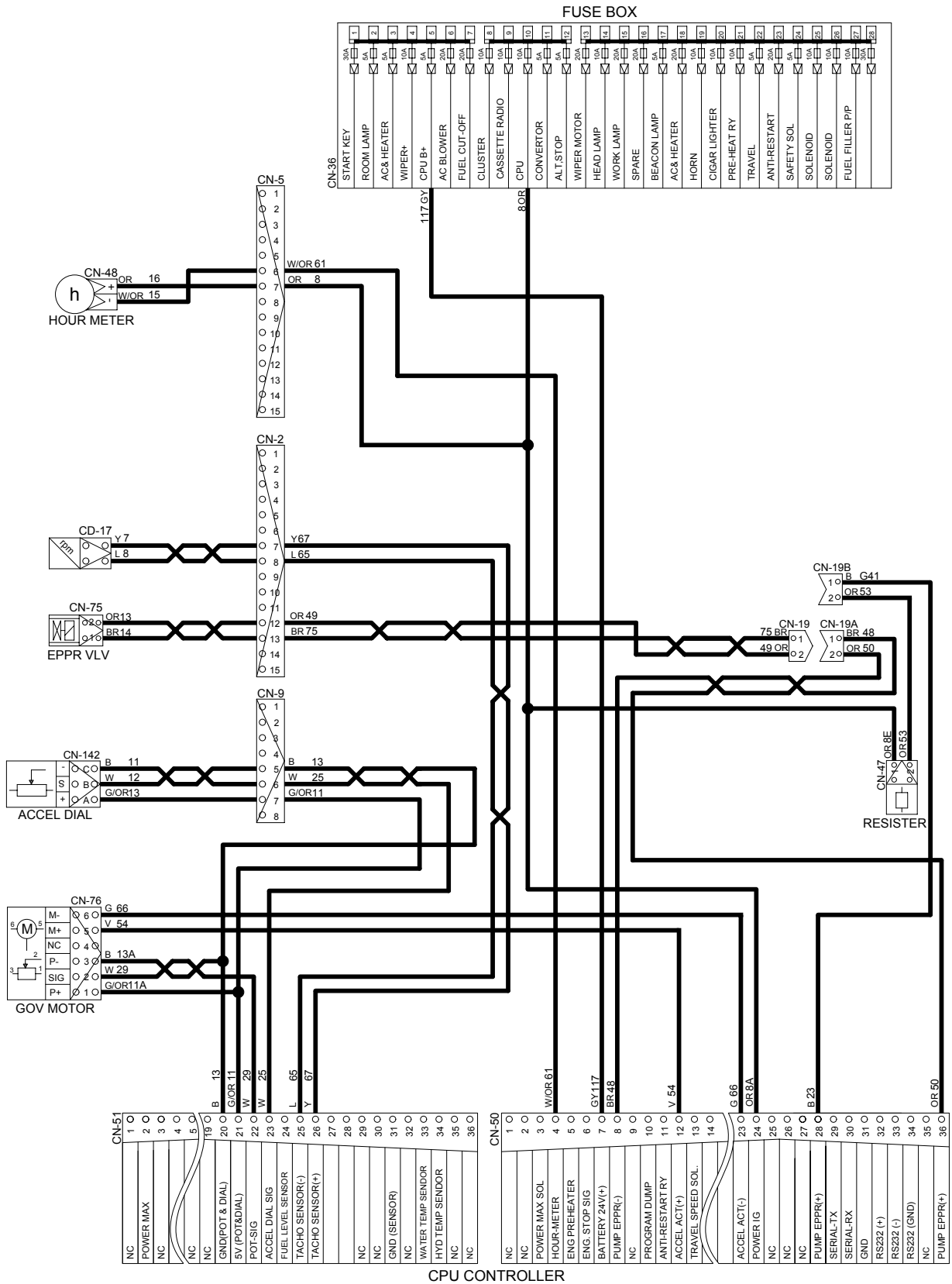
Engine	Start switch	Check point	Voltage
STOP	ON	① - GND(Fuse box)	24V
		② - GND(Switch power input)	
		③ - GND(Switch power output)	0~5V
		④ - GND(Wiper Power input)	
		⑤ - GND(Wiper power output)	24V
		⑥ - GND(Wiper motor)	0 or 24V

※ GND : Ground

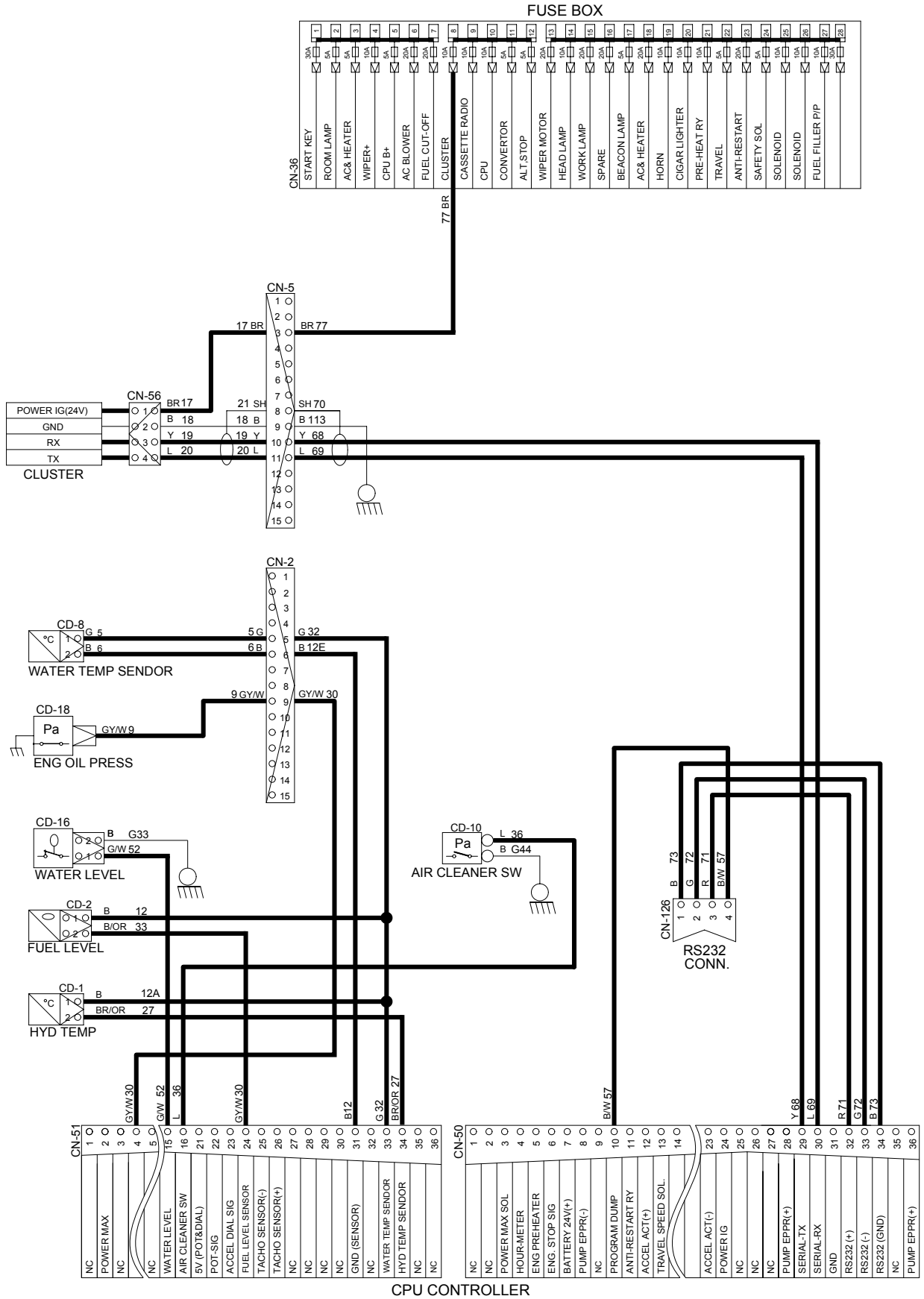
WIPER AND WASHER CIRCUIT



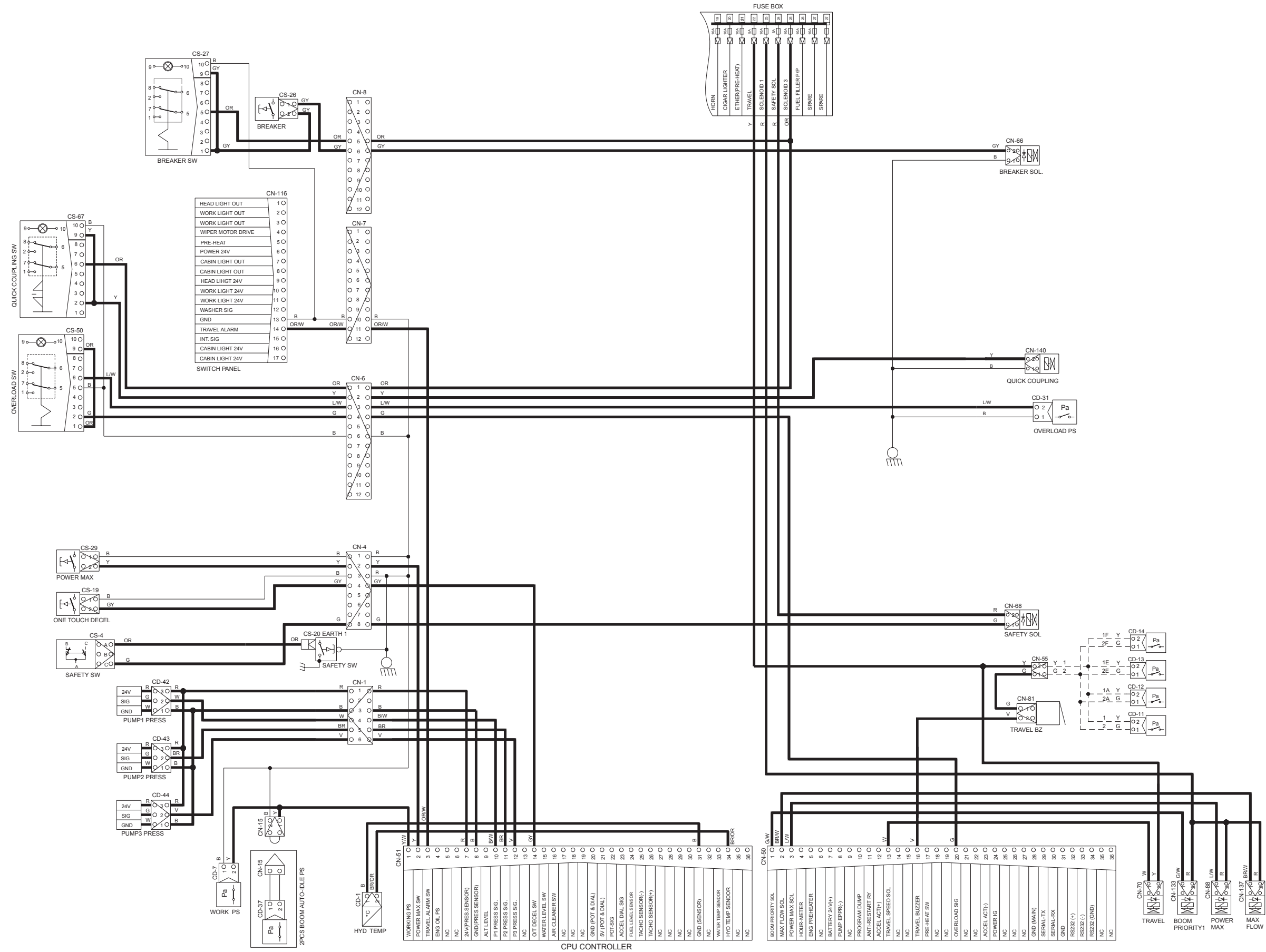
CONTROLLER CIRCUIT



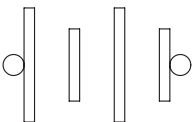
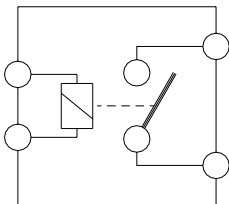
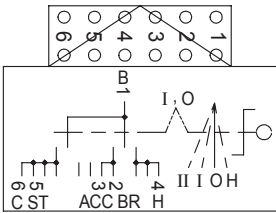
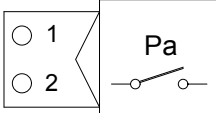
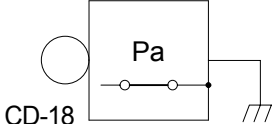
MONITORING CIRCUIT

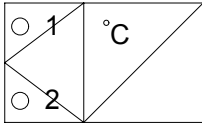
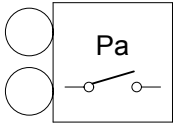
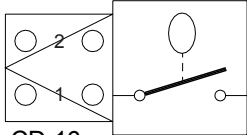
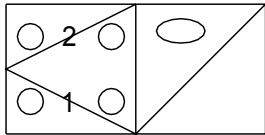
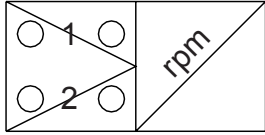
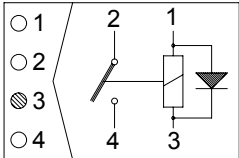


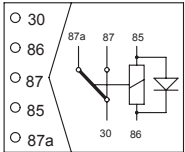
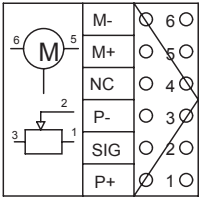
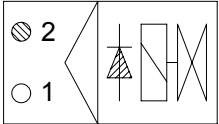
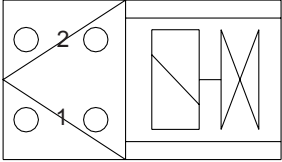
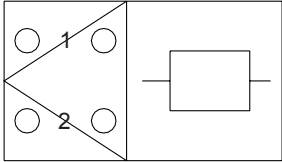
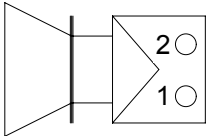
ELECTRIC CIRCUIT FOR HYDRAULIC

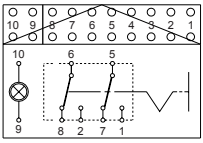
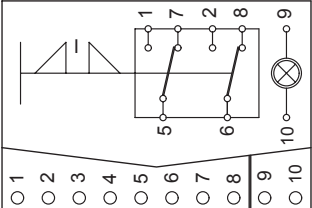
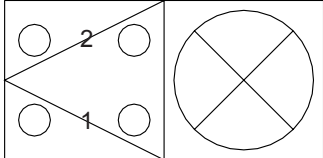
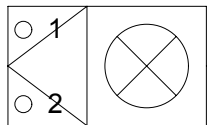
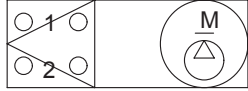
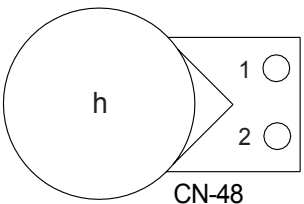


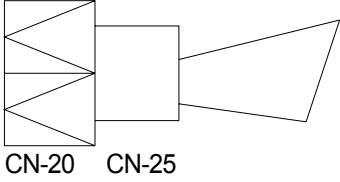
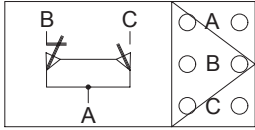
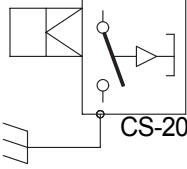
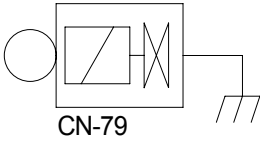
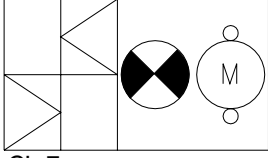
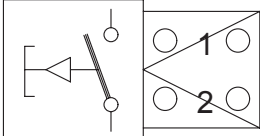
GROUP 3 ELECTRICAL COMPONENT SPECIFICATION

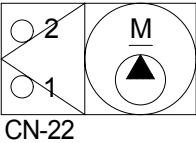
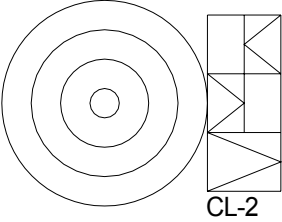
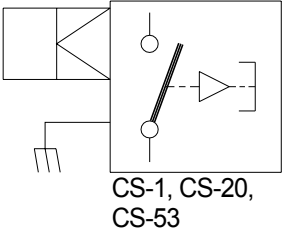
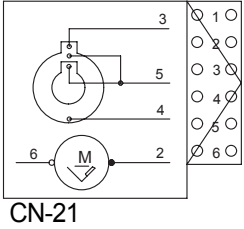
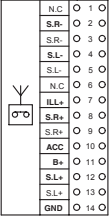
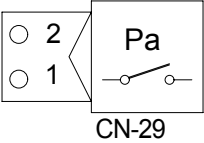
Part name	Symbol	Specification	Check
Battery		12V × 100Ah (2EA)	※ Check specific gravity 1.280 over : Over charged 1.280 ~ 1.250 : Normal 1.250 below : Recharging
Battery relay	 <p style="text-align: center;">CR-1</p>	Rated load : 24V 100A(continuity) 1000A(30second)	※ Check coil resistance (M4 to M4) Normal : About 50 Ω ※ Check contact Normal : ∞ Ω
Start key	 <p style="text-align: center;">CS-2</p>	24V 40A	※ Check contact OFF : ∞ Ω (For each terminal) ON : 0 Ω (For terminal 1-3 and 1-2) START : 0 Ω (For terminal 1-5)
Pressure switch (For overload)	 <p style="text-align: center;">CD-11, CD-12, CD-13 CD-14, CD-31</p>	3 ~ 6 kgf/cm ² (N.O TYPE)	※ Check contact Normal : ∞(OPEN)
Pressure switch (For engine oil)	 <p style="text-align: center;">CD-18</p>	0.5 kgf/cm ² (N.C TYPE)	※ Check resistance Normal : 0 Ω (CLOSE)

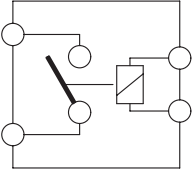
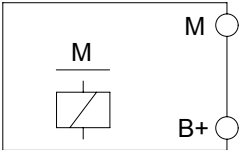
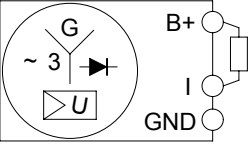
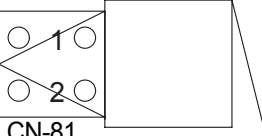
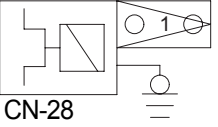
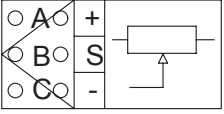
Part name	Symbol	Specification	Check
Temperature sensor (Coolant, hydraulic)	 CD-1, CD-8	-	※ Check resistance 50° C : 804 Ω 80° C : 310 Ω 100° C : 180 Ω
Air cleaner pressure switch	 CD-10	Pressure: 635mmH ₂ O (N.O TYPE)	※ Check contact Normal : ∞ Ω
Coolant level sensor	 CD-16	24V 0.5A	※ Check contact High level : ∞ Ω Low level : 0 Ω
Fuel sender	 CD-2	-	※ Check resistance Full : 50 Ω 6/12 : 350 Ω 11/12 : 100 Ω 5/12 : 400 Ω 10/12 : 150 Ω 4/12 : 450 Ω 9/12 : 200 Ω 3/12 : 500 Ω 8/12 : 250 Ω 2/12 : 550 Ω 7/12 : 300 Ω 1/12 : 600 Ω Empty warning : 700 Ω
Tacho sensor	 CD-17	-	※ Check resistance Normal : 300 Ω (For terminal 1,2)
Relay	 CR-3	24V 20A	※ Check resistance Normal : About 200 Ω (For terminal 1-3) : 0 Ω (For terminal 2-4)

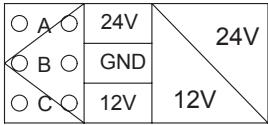
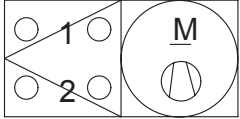
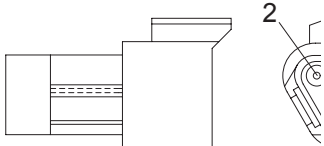
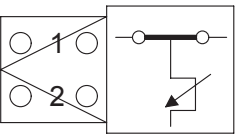
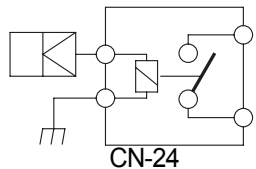
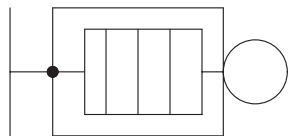
Part name	Symbol	Specification	Check
Relay	 <p>CR-2 CR-35 CR-5 CR-36 CR-7</p>	24V 16A	※ Check resistance Normal : About 160 Ω (For terminal 85-86) : 0 Ω (For terminal 30-87a) : ∞ Ω (For terminal 30-87)
Accel actuator	 <p>CN-76</p>	-	※ Check resistance Normal : 1-2 Ω (For terminal 5-6) 0.8-1.2kΩ (For terminal 1-3)
Solenoid valve	 <p>CN-66 CN-68 CN-70 CN-88 CN-140</p>	24V 1A	※ Check resistance Normal : 15~25 Ω (For terminal 1-2)
EPPR valve	 <p>CN-75</p>	700mA	※ Check resistance Normal : 18~25 Ω (For terminal 1-2)
Prolix resistor	 <p>CN-47</p>	50 Ω 20W ± 5%	※ Check resistance Normal : 50 Ω
Speaker	 <p>CN-23(LH) CN-24(RH)</p>	4 Ω 20W	※ Check resistance Normal : 4 Ω

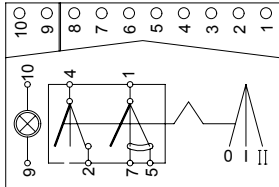
Part name	Symbol	Specification	Check
Switch (Looking type)	 <p>CS-23, CS-24, CS-27, CS-54</p>	24V 8A	※ Check contact Normal ON - 0 Ω (For terminal 1-5,2-6) - ∞ Ω (For terminal 5-7,6-8) OFF - ∞ Ω (For terminal 1-5,2-6) - 0 Ω (For terminal 5-7,6-8)
Switch	 <p>CS-67</p>	24V 8A	※ Check contact Normal ON - 0 Ω (For terminal 1-5,2-6) - ∞ Ω (For terminal 5-7,6-8) OFF - ∞ Ω (For terminal 1-5,2-6) - 0 Ω (For terminal 5-7,6-8)
Lamp	 <p>CL-4, CL-5, CL-6, CL-8, CL-9</p>	24V 70W (H3 TYPE)	※ Check disconnection Normal : 1.2 Ω
Room lamp	 <p>CL-1</p>	24V 10W	※ Check disconnection Normal : A few Ω
Fuel filler pump	 <p>CN-61</p>	24V 10A 35 l /min	※ Check resistance Normal : 1.0 Ω
Hour meter	 <p>CN-48</p>	16V ~ 32V	※ Check operation · Supply power(24V) to terminal No. 2 and connect terminal No. 1 and ground.

Part name	Symbol	Specification	Check
Horn		DC 22.0 ~ 28.0V 2A	※ Check operation ・ Supply power(24V) to each terminal and connect ground.
Safety switch 1		24V 15A (N.C TYPE)	※ Check contact Normal : 0 Ω (For terminal A-B) : ∞ Ω (For terminal A-C) Operating : ∞ Ω (For terminal A-B) : 0 Ω (For terminal A-C)
Safety switch 2		24V (N.C TYPE)	※ Check contact Normal : 0 Ω (one pin to ground)
Fuel cut-off		24V	※ Check resistance Normal : 15~25 Ω
Beacon lamp		24V 70W	※ Check disconnection Normal : 1.1 Ω
Switch (Power max, One touch decal, Breaker, Horn)		24V 6A	※ Check contact Normal : ∞ Ω

Part name	Symbol	Specification	Check
Washer pump		24V 3.8A	※ Check contact Normal : 10.7 Ω (For terminal 1-2)
Cigar lighter		24V 5A 1.4W	※ Check coil resistance Normal : About 1MΩ ※ Check contact Normal : ∞ Ω Operating time : 5~15sec
Switch (Door, Safety, Wiper cut)		24V 2W	※ Check resistance Normal : About 5MΩ
Wiper motor		24V 2A	※ Check contact Normal : 7 Ω (For terminal 2-6)
Cassette radio		24V 2A	※ Check voltage 20 ~ 25V (For terminal 10-14,11-14)
Receiver dryer		24V 2.5A	※ Check contact Normal : 0 Ω

Part name	Symbol	Specification	Check
Start relay	 <p>CR-23</p>	24V 300A	※ Check contact Normal : 0.94 Ω (For terminal 1-2)
Starter	 <p>CN-45</p>	Delco Remy 28MT 24V	※ Check contact Normal : 0.1 Ω
Alternator	 <p>CN-74</p>	24V 60A	※ Check contact Normal : 0 Ω (For terminal B□1) Normal : 24 ~ 27.5V
Travel alarm	 <p>CN-81</p>	24V 0.5A	※ Check contact Normal : 5.2 Ω
Aircon compressor	 <p>CN-28</p>	24V 79W	※ Check contact Normal : 13.4 Ω
Accel dial	 <p>CN-142</p>	-	※ Check resistance Normal : About 5KΩ (For terminal A-C) ※ Check valtage Normal : About 5V (For terminal A-C) : 2 ~ 4.5V (For terminal C-B)

Part name	Symbol	Specification	Check
DC/DC Converter	 <p>CN-138</p>	12V 3A	24V(A-B) 12V(B-C)
Blower motor		24V 9.5A	※ Check resistance 2.5 Ω (For terminal 1-2)
Resistor		-	※ Check resistance 1.12 Ω (For terminal 4-2) 2.07 Ω (For terminal 2-3) 3.17 Ω (For terminal 3-1)
Duct sensor (Switch)		1°C OFF 4°C ON	※ Check resistance : 0 Ω (For terminal 1-2, the atmosphere temp : over 4°C)
Preheater relay	 <p>CN-24</p>	24V 200A	※ Check contact Normal : 0.94 Ω (For terminal 1-GND)
Preheater		24V 200A	※ check resistance : 0.25 ~ 0.12 Ω

Part name	Symbol	Specification	Check
Main light switch	 <p>CS-21</p>	24V 8A	※ Check contact OFF : $\infty \Omega$ (For terminal 1-5, 2-4)

GROUP 4 CONNECTORS

1. CONNECTOR DESTINATION

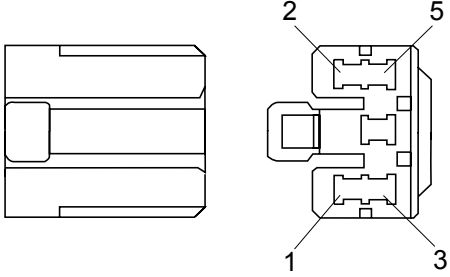
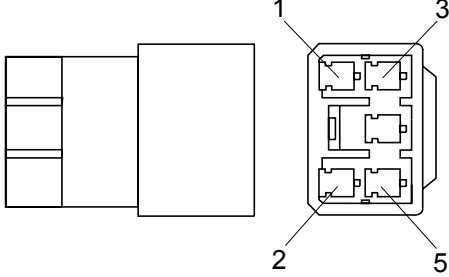
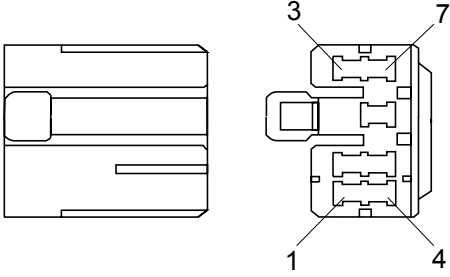
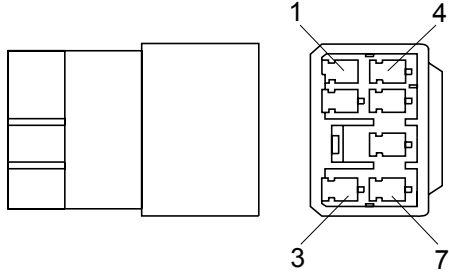
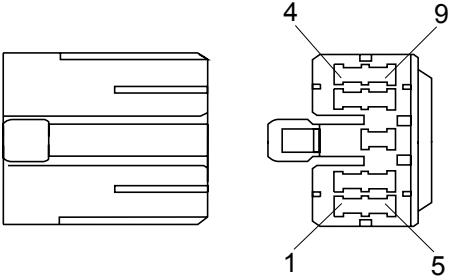
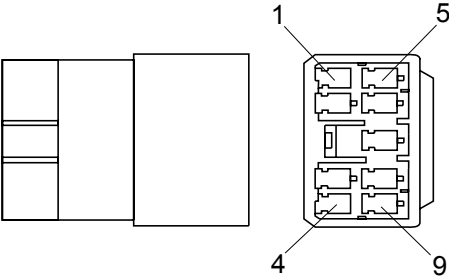
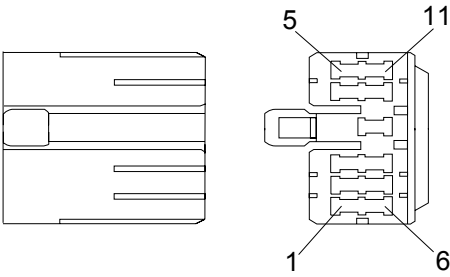
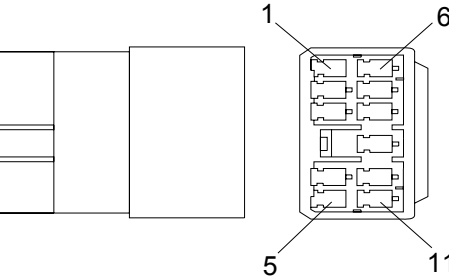
Connector number	Type	No. of pin	Destination	Connector part No.	
				Female	Male
CN-2	AMP	15	Engine harness	2-85262-1	S816-112002
CN-4	AMP	8	LH console wire harness	S816-008002	S816-108002
CN-5	AMP	15	RH side harness	2-85262-1	S816-112002
CN-6	AMP	12	RH side harness	S816-012002	S816-112002
CN-8	AMP	12	RH console wire harness	S816-012002	S816-112002
CN-9	AMP	8	RH console wire harness	S816-008002	S816-108002
CN-10	DEUTSCH	12	Cab harness	DT06-12S	DT04-12P
CN-11	DEUTSCH	8	LH console wire harness	DT06-8S	-
CN-12	DEUTSCH	2	Work lamp harness	DT06-2S-EP06	DT04-2P
CN-17	DEUTSCH	8	Wipe harness	DT06-8S	DT04-8P
CN-20	MOLEX	2	Horn	35825-0211	-
CN-21	AMP	6	Wiper motor	925276-0	-
CN-22	-	2	Washer tank	MG640605	-
CN-23	KET	2	LH speaker	MG610070	7322-1520
CN-24	KET	2	RH speaker	MG610070	7322-1520
CN-25	MOLEX	2	Horn	35825-0211	-
CN-27	AMP	14	Cassette radio	173852	AMP14P
CN-28	-	1	Air-con comp	MWP-01F-B	-
CN-29	KET	2	Receiver dryer	MG640795	-
CN-45	RING TERM	1	Starter	S820-308000	-
CN-47	AMP	2	Emergency resistor	S810-002202	-
CN-48	-	2	Hour meter	S810-002202	-
CN-50	AMP	36	CPU	3441111-1	-
CN-51	AMP	36	CPU	3441111-1	-
CN-55	AMP	2	Travel alarm pressure switch	S816-002002	S816-102002
CN-56	DEUTSCH	4	Cluster	-	DT04-4P
CN-60	-	2	Fusible link	-	7122-4125-50
CN-61	DEUTSCH	2	Fuel filler pump	DT06-2S-EP06	DT01-2P-P012
CN-66	DEUTSCH	2	Breaker solenoid valve	DT06-2S-EP06	DT04-2P-E005
CN-68	DEUTSCH	2	Safety solenoid valve	DT06-2S-EP06	-
CN-70	DEUTSCH	2	Travel speed solenoid valve	DT06-2S-EP06	-
CN-74	KET	2	Alternator	MG640188-4	-
CN-75	-	2	EPPR valve	S816-002002	-
CN-76	DEUTSCH	6	Accel actuator	DT06-6S-EP06	-
CN-79	RING TERM	1	Fuel cut-off solenoid	S820-104000	-
CN-81	DEUTSCH	2	Travel buzzer	DT06-2S-EP06	DP04-2P-E005
CN-88	DEUTSCH	2	Power max solenoid valve	DT06-2S-EP06	-
CN-92	AMP	1	Safety	S814-101100	S814-001100

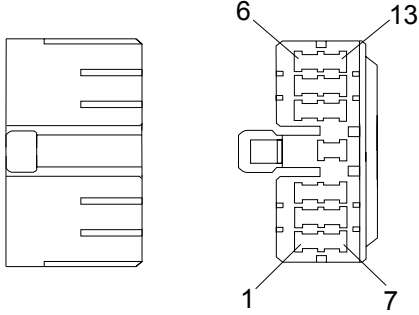
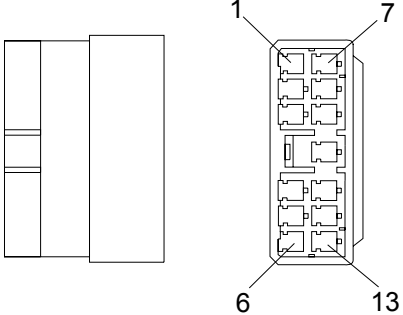
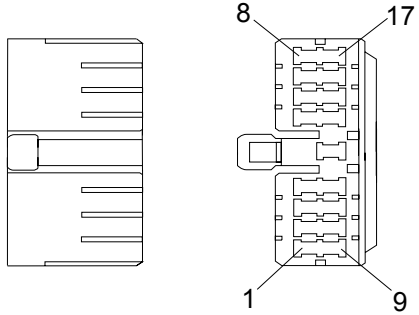
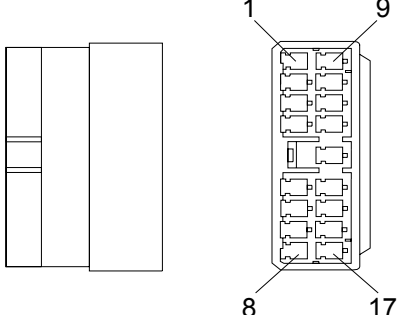
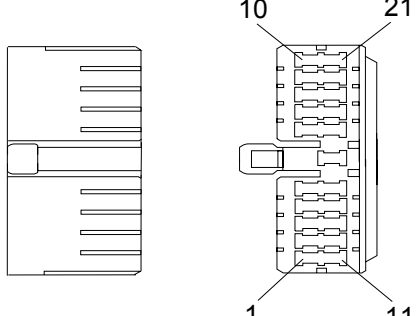
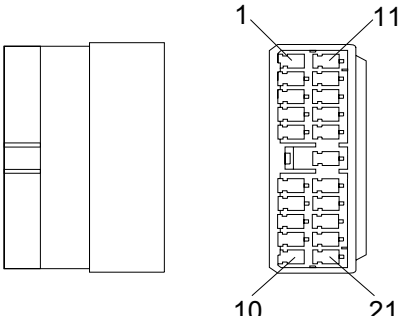
Connectorn umber	Type	No. of pin	Destination	Connector part No.	
				Female	Male
CN-95	KET	2	Fusible link	-	S813-130200
CN-125	-	4	GPS	S816-004002	S816-104002
CN-126	DEUTSCH	4	RS232C connector	DT06-4S-P012	DT04-4P-E004
CN-138	DEUTSCH	3	DC/DC converter	DT06-3S	DT04-3P
CN-139	DEUTSCH	2	12V Socket	-	DT04-2P
CN-140	DEUTSCH	2	Quick coupling	DT06-2S-EP06	DT04-2P-E005
CN-141	AMP	13	Wiper motor control unit	172498-1	-
CN-142	DEUTSCH	3	Accel dial	DT06-3S	-
CN-143	KET	14	Cassette radio	MG610406	-
CN-144	AMP	12	Remocon	174045-2	-
RELAY					
CR-1	RING TERM	1	Battery relay	S820-104002	-
CR-3	-	4	Work lamp relay	S820-104000	-
CR-23	-	2	Start relay	S820-104000	-
CR-24	-	1	Pre-heater relay	S822-014000	-
CR-43	-	4	Engine stop relay	S810-004202	-
SWITCH					
CS-1	CB104	1	Door switch	S822-014004	-
CS-2	-	6	Start key switch	S814-006000	-
CS-4	DEUTSCH	6	Safety switch	DT06-3S	-
CS-5	DEUTSCH	2	Horn switch	-	DT04-2P
CS-19	DEUTSCH	2	One touch decel	DT06-2S	DT04-2P
CS-20	AMP	1	Safety switch	S822-014002	-
CS-21	SWF	10	Main light switch	SWF593757	-
CS-23	SWF	10	Beacon lamp switch	SWF593757	-
CS-24	SWF	10	Overload switch	SWF593757	-
CS-26	DEUTSCH	2	Breaker switch	SWF593757	-
CS-27	SWF	10	Breaker switch	SWF593757	-
CS-29	DEUTSCH	2	Power max	DT06-2S	DT04-2P
CS-53	AMP	1	Wiper cut switch	S822-014002	-
CS-54	SWF	10	Travel alarm	SWF593757	-
CS-67	SWF	10	Quick coupling switch	SWF593757	-
LAMP					
CL-1	KET	2	Cab room lamp	MG610392	-
CL-2	-	1	Cigar light	S822-014002	-
CL-4	DEUTSCH	2	Head lamp	-	DT04-2P-E005
CL-5	DEUTSCH	2	Work lamp-LH	-	DT04-2P
CL-6	DEUTSCH	2	Work lamp-RH	-	DT04-2P
CL-7	CB104	1	Beacon lamp	S822-014004	-
CL-8	DEUTSCH	2	LH cabin light	-	DT04-2P
CL-9	DEUTSCH	2	RH cabin light	-	DT04-2P

Connectorn umber	Type	No. of pin	Destination	Connector part No.	
				Female	Male
SENDER					
CD-1	AMP	2	Hydraulic Temp sender	963040-3	-
CD-2	DEUTSCH	2	Fuel sender	DT06-2S-EP06	-
CD-8	-	2	Water temp sender	85202-1	-
CD-10	RING TERM	1	Air cleaner switch	S820-104002	-
CD-11	AMP	2	Travel alarm pressure switch	S816-102002	-
CD-12	AMP	2	Travel alarm pressure switch	S816-102002	-
CD-13	AMP	2	Travel alarm pressure switch	S816-102002	-
CD-14	AMP	2	Travel alarm pressure switch	S816-102002	-
CD-16	-	2	Water level	S814-002100	-
CD-17	-	2	Tacho sensor	S814-002001	-
CD-18	RING TERM	1	Engine oil pressure switch	S819-010122	-
CD-31	DEUTSCH	2	Overload pressure switch	DT06-2S-EP06	-

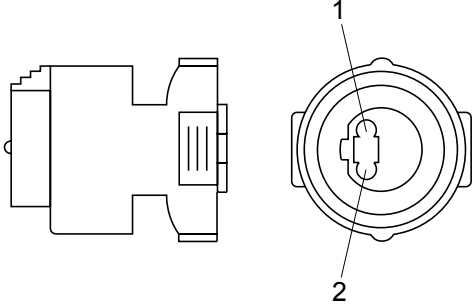
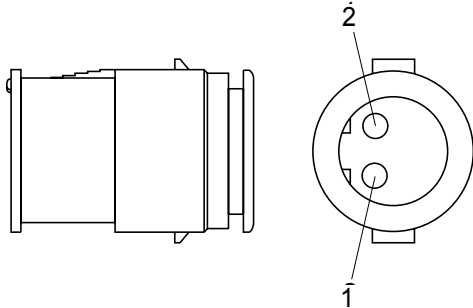
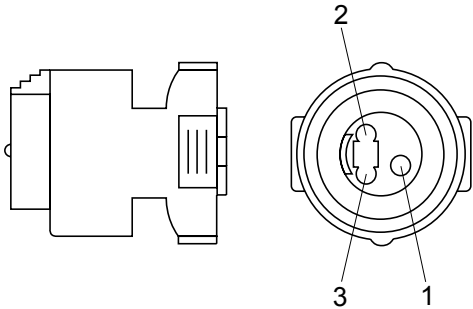
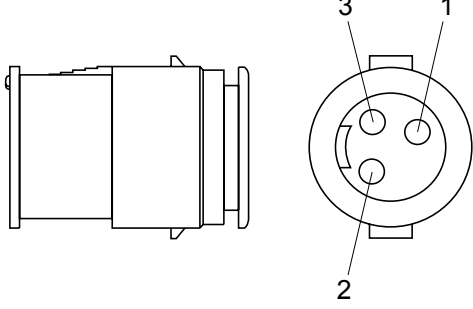
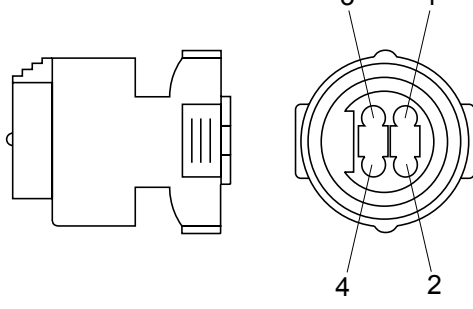
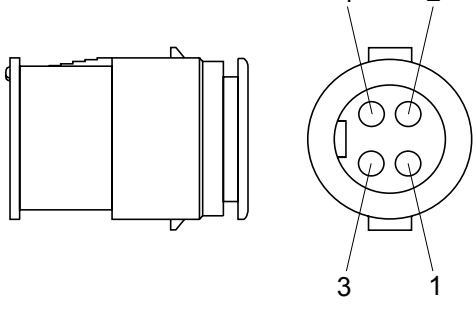
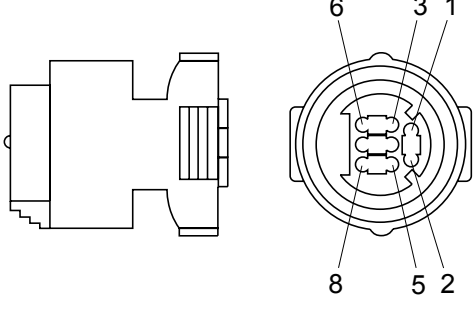
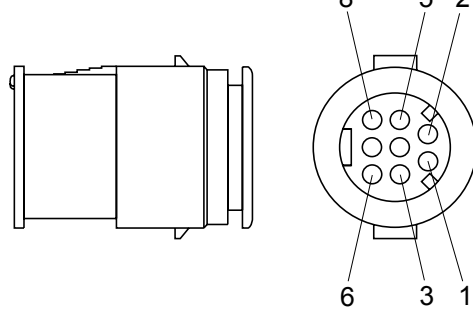
2. CONNECTION TABLE FOR CONNECTORS

1) PA TYPE CONNECTOR

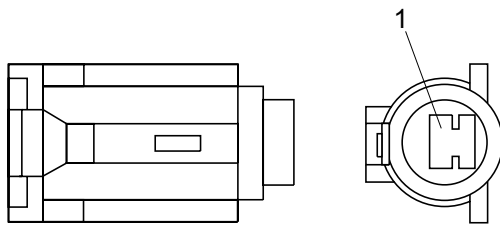
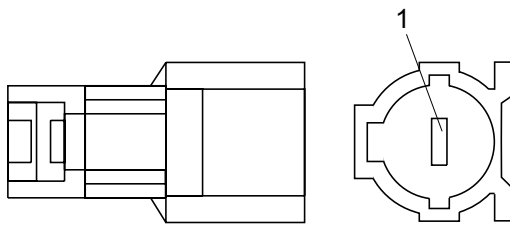
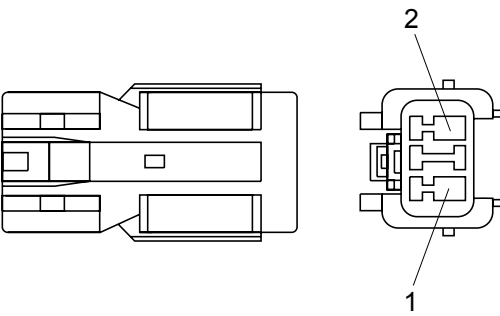
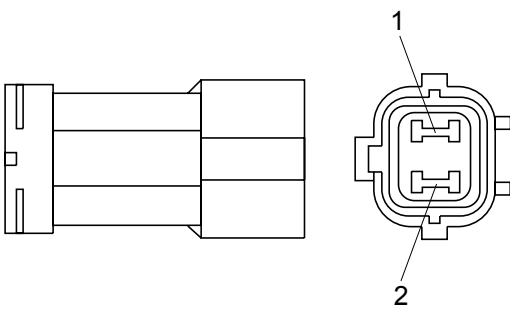
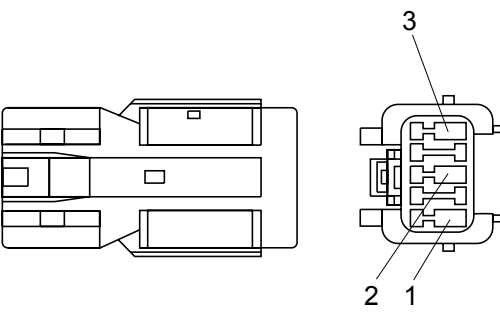
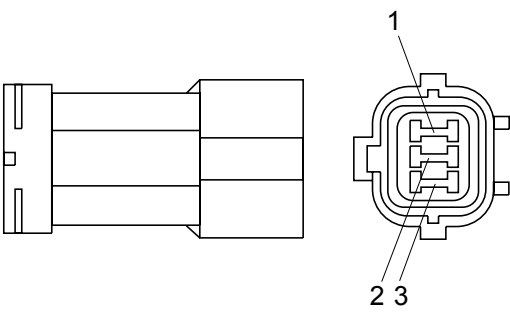
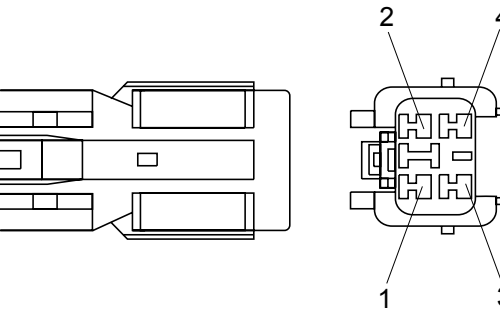
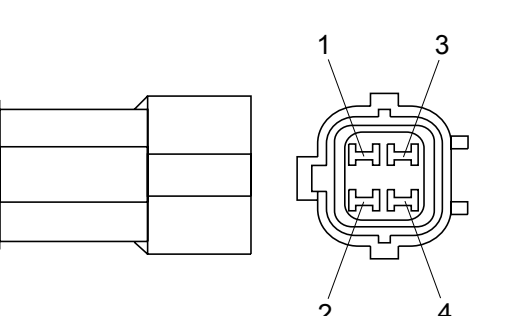
No. of pin	Receptacle connector(Female)	Plug connector(Male)
5	 <p style="text-align: center;">S811-005002</p>	 <p style="text-align: center;">S811-105002</p>
7	 <p style="text-align: center;">S811-007002</p>	 <p style="text-align: center;">S811-107002</p>
9	 <p style="text-align: center;">S811-009002</p>	 <p style="text-align: center;">3S811-109002</p>
11	 <p style="text-align: center;">S811-011002</p>	 <p style="text-align: center;">S811-111002</p>

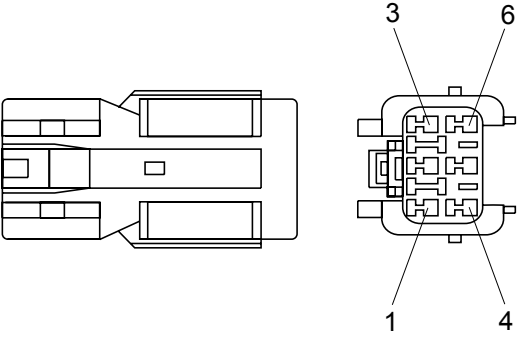
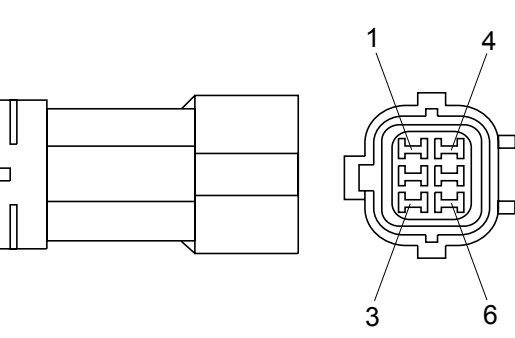
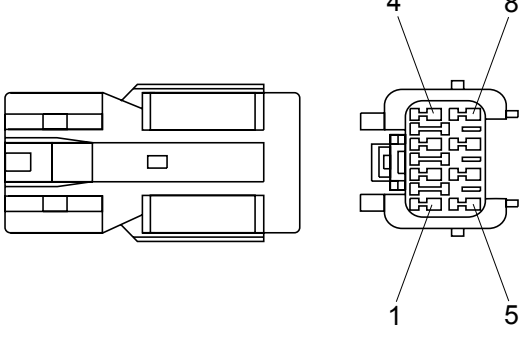
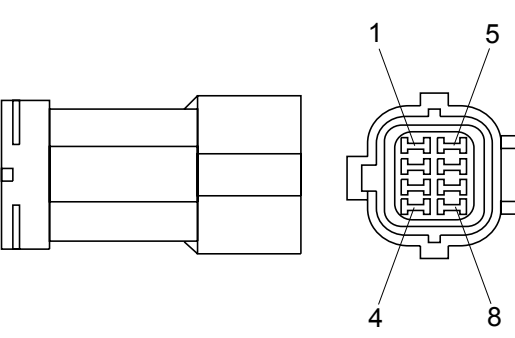
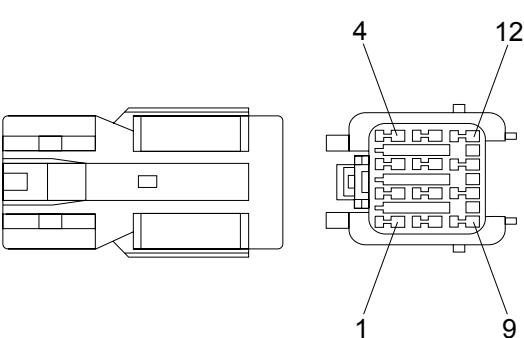
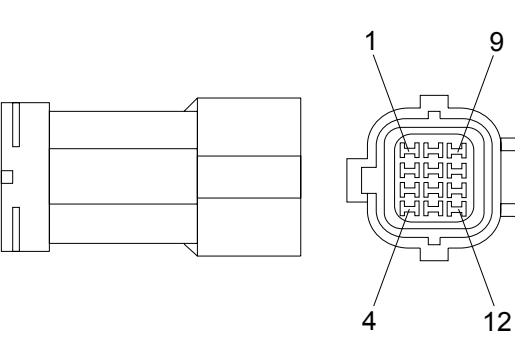
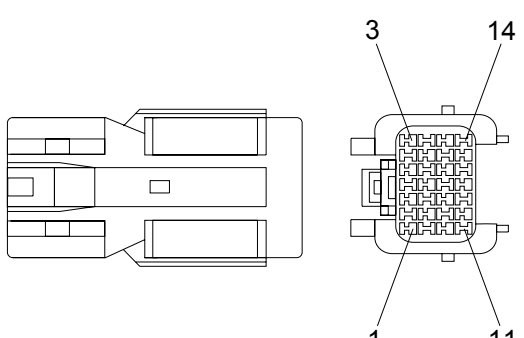
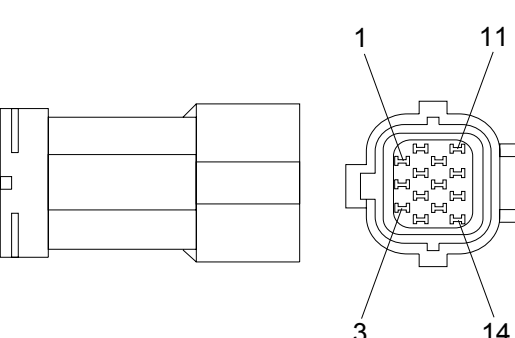
No. of pin	Receptacle connector(Female)	Plug connector(Male)
13	 <p style="text-align: center;">S811-013002</p>	 <p style="text-align: center;">S811-113002</p>
17	 <p style="text-align: center;">S811-017002</p>	 <p style="text-align: center;">S811-117002</p>
21	 <p style="text-align: center;">S811-021002</p>	 <p style="text-align: center;">S811-121002</p>

2) J TYPE CONNECTOR

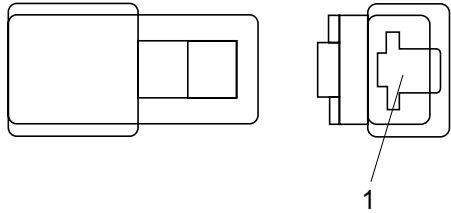
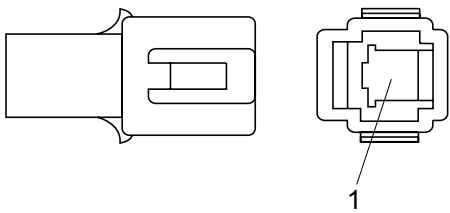
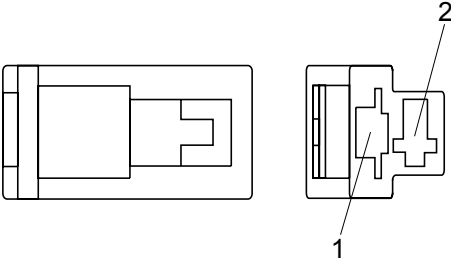
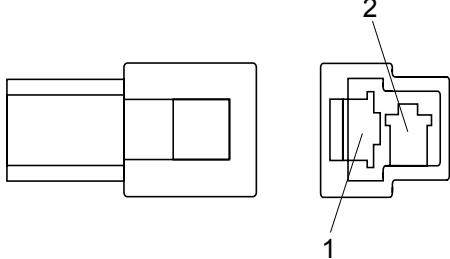
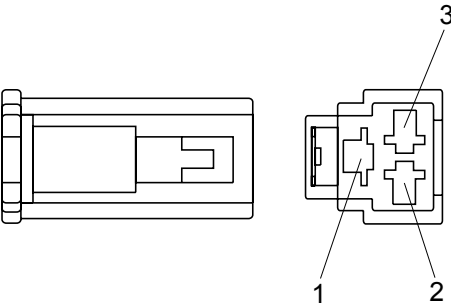
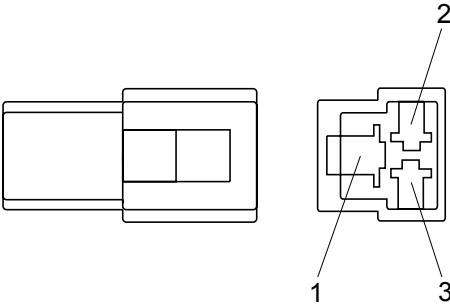
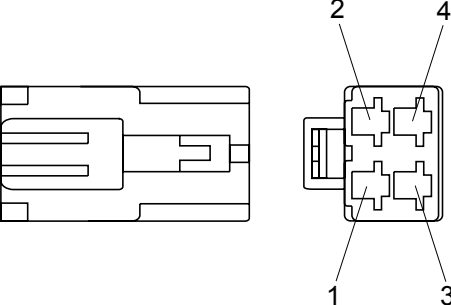
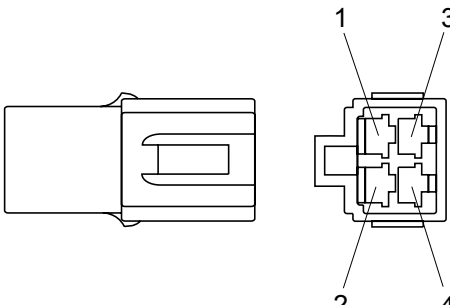
No. of pin	Receptacle connector(Female)	Plug connector(Male)
2	 <p style="text-align: center;">S816-002001</p>	 <p style="text-align: center;">S816-102001</p>
3	 <p style="text-align: center;">S816-003001</p>	 <p style="text-align: center;">S816-103001</p>
4	 <p style="text-align: center;">S816-004001</p>	 <p style="text-align: center;">S816-104001</p>
8	 <p style="text-align: center;">S816-008001</p>	 <p style="text-align: center;">S816-108001</p>

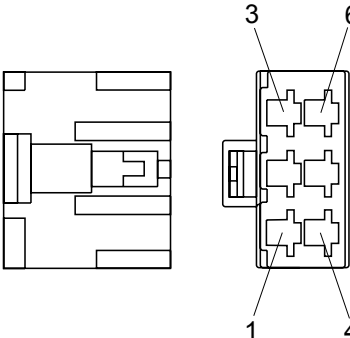
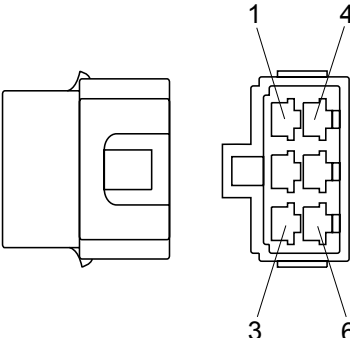
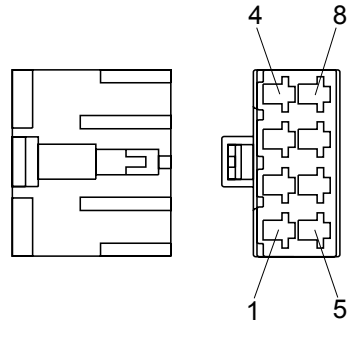
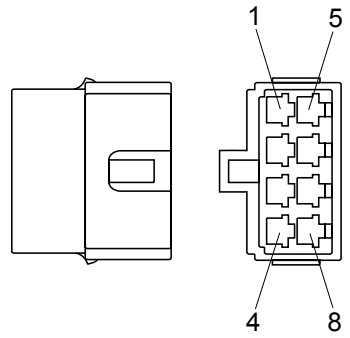
3) SWP TYPE CONNECTOR

No. of pin	Receptacle connector(Female)	Plug connector(Male)
1	 <p data-bbox="686 672 837 705">S814-001000</p>	 <p data-bbox="1236 672 1388 705">S814-101000</p>
2	 <p data-bbox="686 1075 837 1108">S814-002000</p>	 <p data-bbox="1236 1075 1388 1108">S814-102000</p>
3	 <p data-bbox="686 1478 837 1512">S814-003000</p>	 <p data-bbox="1236 1478 1388 1512">S814-103000</p>
4	 <p data-bbox="686 1881 837 1915">S814-004000</p>	 <p data-bbox="1236 1881 1388 1915">S814-104000</p>

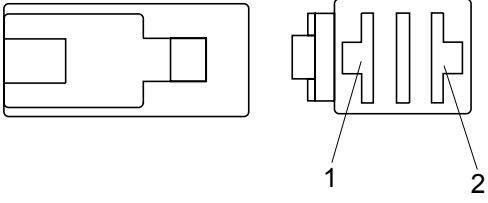
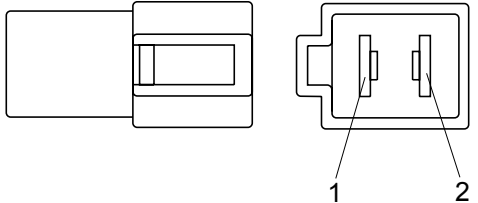
No. of pin	Receptacle connector(Female)	Plug connector(Male)
6	 <p data-bbox="686 627 837 660">S814-006000</p>	 <p data-bbox="1244 627 1396 660">S814-106000</p>
8	 <p data-bbox="686 1041 837 1075">S814-008000</p>	 <p data-bbox="1244 1041 1396 1075">S814-108000</p>
12	 <p data-bbox="686 1444 837 1478">S814-012000</p>	 <p data-bbox="1244 1444 1396 1478">S814-112000</p>
14	 <p data-bbox="686 1848 837 1881">S814-014000</p>	 <p data-bbox="1244 1848 1396 1881">S814-114000</p>

4) CN TYPE CONNECTOR

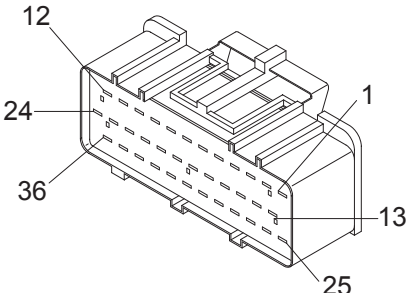
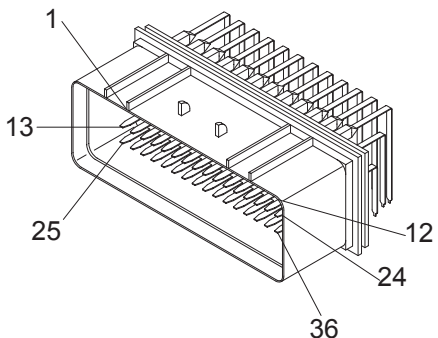
No. of pin	Receptacle connector(Female)	Plug connector(Male)
1	 <p style="text-align: center;">S810-001202</p>	 <p style="text-align: center;">S810-101202</p>
2	 <p style="text-align: center;">S810-002202</p>	 <p style="text-align: center;">S810-102202</p>
3	 <p style="text-align: center;">S810-003202</p>	 <p style="text-align: center;">S810-103202</p>
4	 <p style="text-align: center;">S810-004202</p>	 <p style="text-align: center;">S810-104202</p>

No. of pin	Receptacle connector(Female)	Plug connector(Male)
6	 <p data-bbox="686 627 837 660">S810-006202</p>	 <p data-bbox="1244 627 1396 660">S810-106202</p>
8	 <p data-bbox="686 1041 837 1075">S810-008202</p>	 <p data-bbox="1244 1041 1396 1075">S810-108202</p>

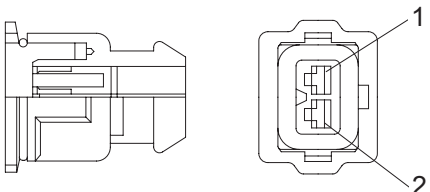
5) 375 FASTEN TYPE CONNECTOR

No. of pin	Receptacle connector(Female)	Plug connector(Male)
2	 <p style="text-align: center;">S810-002402</p>	 <p style="text-align: center;">S810-102402</p>

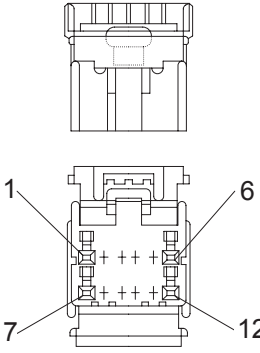
6) AMP ECONOSEAL CONNECTOR

No. of pin	Receptacle connector(Female)	Plug connector(Male)
36	 <p style="text-align: center;">344111-1</p>	 <p style="text-align: center;">344108-1</p>

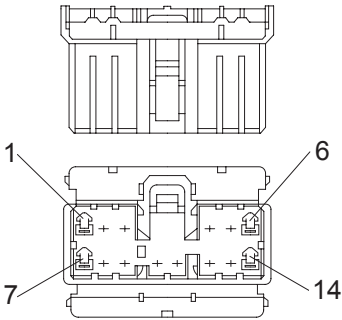
7) AMP TIMER CONNECTOR

No. of pin	Receptacle connector(Female)	Plug connector(Male)
2	 <p style="text-align: center;">85202-1</p>	

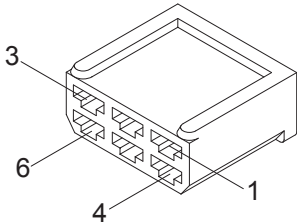
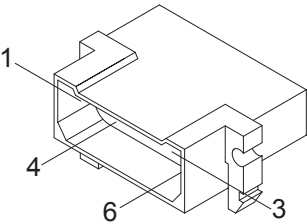
8) AMP 040 MULTILOCK CONNECTOR

No. of pin	Receptacle connector(Female)	Plug connector(Male)
12	 <p style="text-align: right;">174045-2</p>	

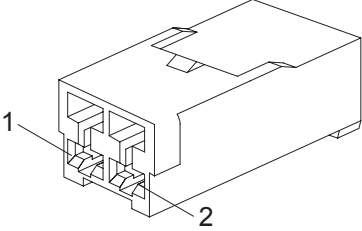
9) AMP 070 MULTILOCK CONNECTOR

No. of pin	Receptacle connector(Female)	Plug connector(Male)
14	 <p style="text-align: right;">173852</p>	

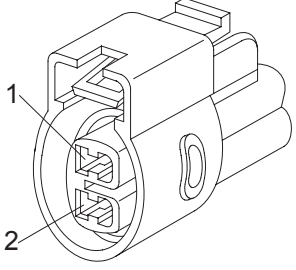
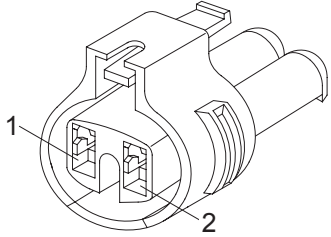
10) AMP FASTIN - FASTON CONNECTOR

No. of pin	Receptacle connector(Female)	Plug connector(Male)
6	 <p style="text-align: right;">925276-0</p>	 <p style="text-align: right;">480003-9</p>

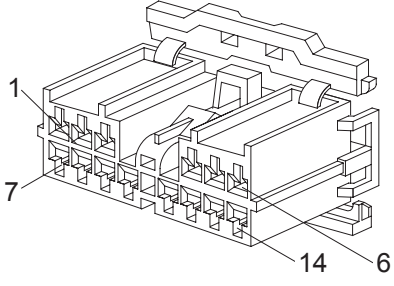
11) KET 090 CONNECTOR

No. of pin	Receptacle connector(Female)	Plug connector(Male)
2	 <p style="text-align: right;">MG610070</p>	

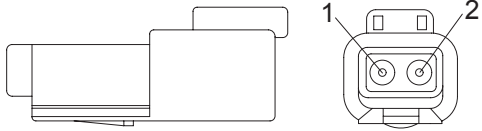
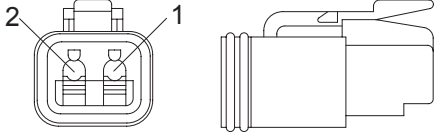
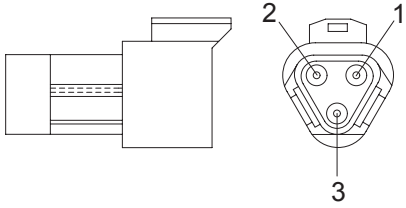
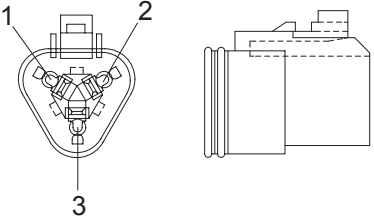
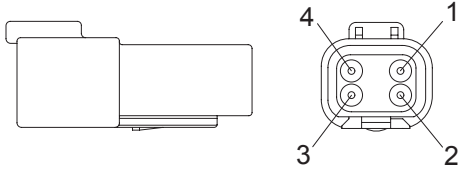
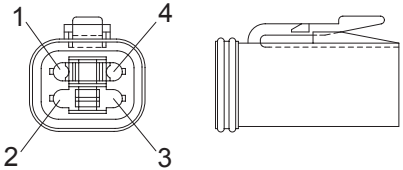
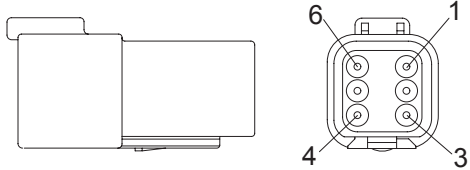
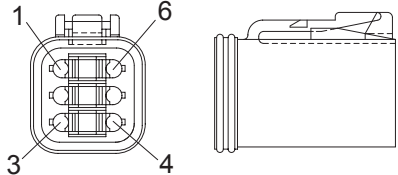
12) KET 090 WP CONNECTORS

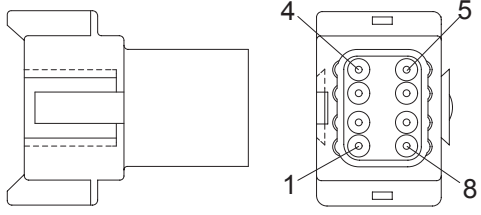
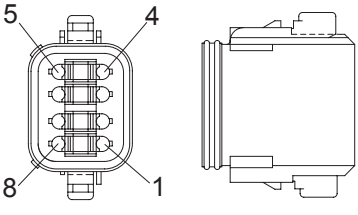
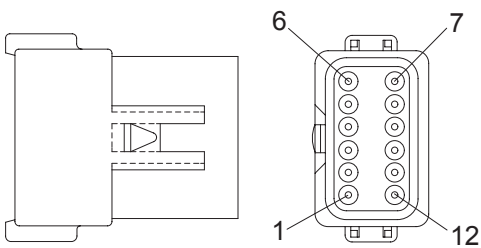
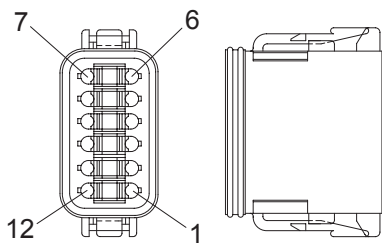
No. of pin	Receptacle connector(Female)	Plug connector(Male)
2	 <p style="text-align: right;">MG640605</p>	
2	 <p style="text-align: right;">MG640795</p>	

12) KET SDL CONNECTOR

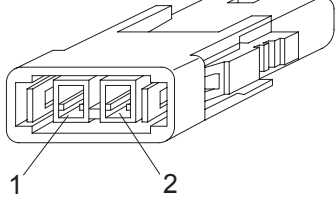
No. of pin	Receptacle connector(Female)	Plug connector(Male)
14	 <p>MG610406</p>	

13) DEUTSCH DT CONNECTORS

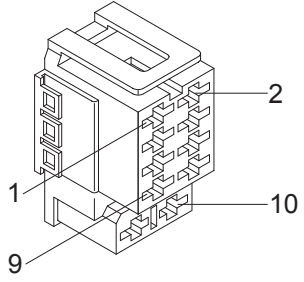
No. of pin	Receptacle connector(Female)	Plug connector(Male)
2	 <p style="text-align: center;">DT06-2S</p>	 <p style="text-align: center;">DT06-2P</p>
3	 <p style="text-align: center;">DT06-3S</p>	 <p style="text-align: center;">DT06-3P</p>
4	 <p style="text-align: center;">DT06-4S</p>	 <p style="text-align: center;">DT06-4P</p>
6	 <p style="text-align: center;">DT06-6S</p>	 <p style="text-align: center;">DT06-6P</p>

No. of pin	Receptacle connector(Female)	Plug connector(Male)
8	 <p style="text-align: right;">DT06-8S</p>	 <p style="text-align: right;">DT06-8P</p>
12	 <p style="text-align: right;">DT06-12S</p>	 <p style="text-align: right;">DT06-12P</p>

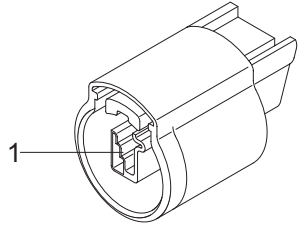
14) MOLEX 2CKTS CONNECTOR

No. of pin	Receptacle connector(Female)	Plug connector(Male)
2	 <p data-bbox="705 676 837 705">35215-0200</p>	

15) ITT SWF CONNECTOR

No. of pin	Receptacle connector(Female)	Plug connector(Male)
10	 <p data-bbox="699 1265 837 1294">SWF593757</p>	

16) MWP NMWP CONNECTOR

No. of pin	Receptacle connector(Female)	Plug connector(Male)
1	 <p data-bbox="689 1848 837 1877">NMWP01F-B</p>	