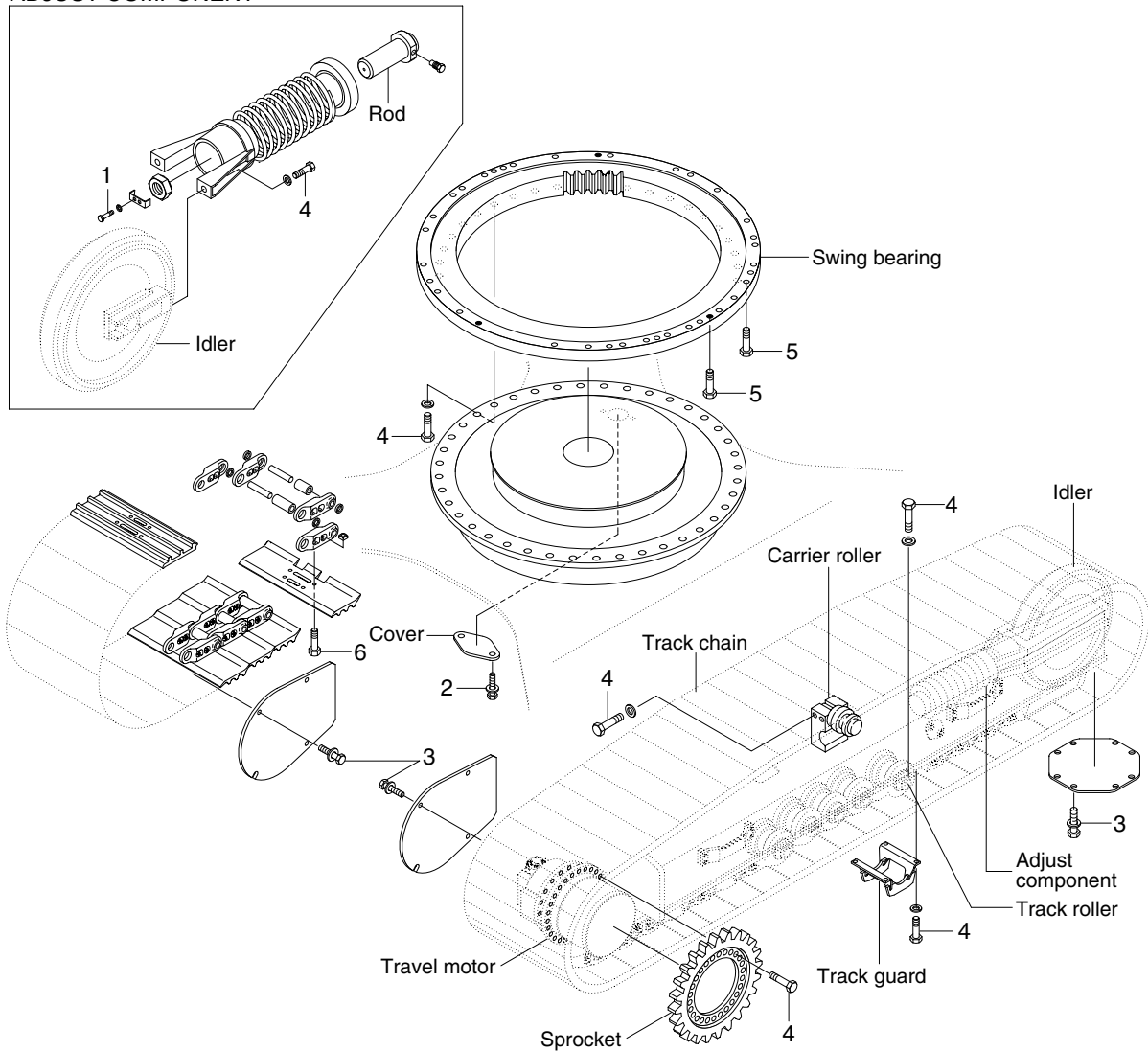


GROUP 5 UNDERCARRIAGE

ADJUST COMPONENT



1107A9CM08

· Tightening torque

Item	Size	kgf · m	lbf · ft
1	M 8 × 1.25	3.43 ± 0.7	24.8 ± 5.1
2	M10 × 1.5	6.9 ± 1.4	49.9 ± 10.1
3	M12 × 1.75	12.8 ± 3.0	92.6 ± 21.7

Item	Size	kgf · m	lbf · ft
4	M16 × 2.0	29.7 ± 4.5	215 ± 32.5
5	M18 × 2.5	41.3 ± 4.5	299 ± 32.5
6	5/8-18UNF	42 ± 4.0	304 ± 29