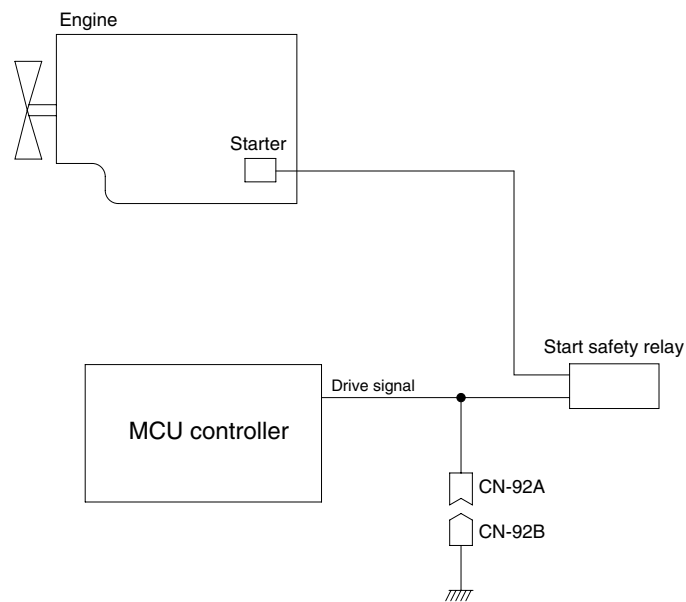


## GROUP 7 ANTI-RESTART SYSTEM



1107A5MS08

### 1. ANTI-RESTART FUNCTION

After 10 seconds from the engine starts to run, MCU controller turns off the start safety relay to protect the starter from inadvertent restarting.

2. When a replacement or taking-off of the MCU controller is needed, connect CN-92A and CN-92B to ensure the engine start without the MCU controller.