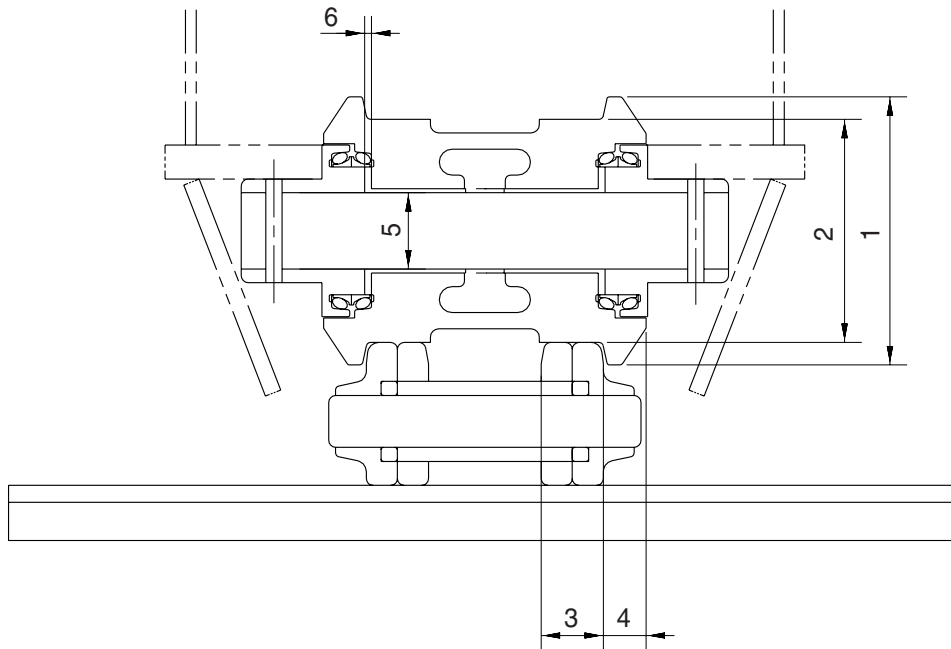


GROUP 3 TRACK AND WORK EQUIPMENT

1. TRACK

1) TRACK ROLLER

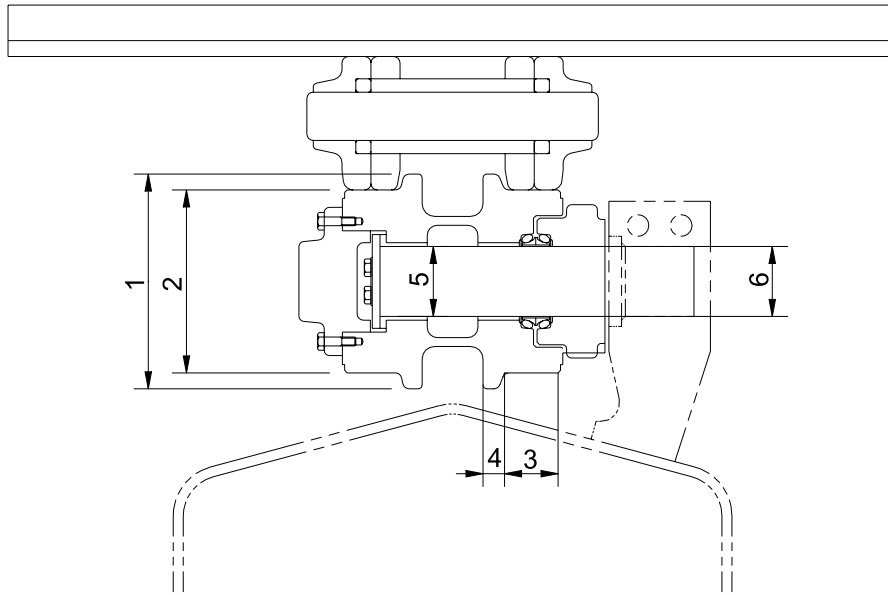


21037MS01

Unit : mm

No.	Check item	Criteria				Remedy
		Standard size		Repair limit		
1	Outside diameter of flange	ø 170		-		Rebuild or replace
2	Outside diameter of tread	ø 140		ø 128		
3	Width of tread	39.5		45.5		
4	Width of flange	20		-		
5	Clearance between shaft and bushing	Standard size ø 50	tolerance		Standard clearance 0.35 to 0.43	Clearance limit 2.0
			Shaft	Hole		
6	Side clearance of roller (Both side)	Standard clearance		Clearance limit		Replace
		0.25~0.65		2.0		

2) CARRIER ROLLER

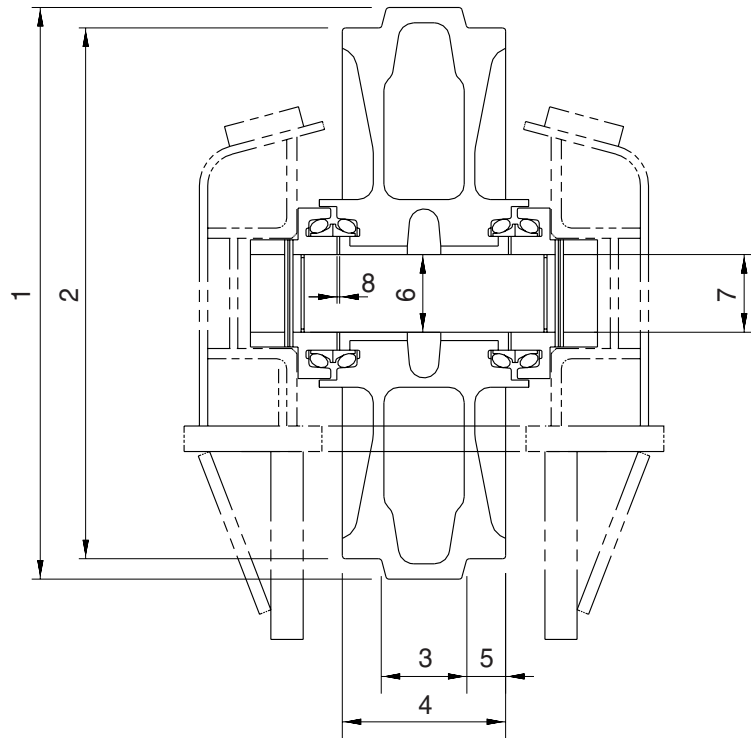


32077MS02

Unit : mm

No.	Check item	Criteria				Remedy
		Standard size		Repair limit		
1	Outside diameter of flange	ø 136		-		Rebuild or replace
2	Outside diameter of tread	ø 116		ø 108		
3	Width of tread	35.5		39.5		
4	Width of flange	15		-		
5	Clearance between shaft and bushing	Standard size & Tolerance		Standard clearance	Clearance limit	Replace bushing or shaft
		Shaft	Hole			
		ø 40 +0.085 +0.065	ø 40 +0.3 +0.25	0.165 to 0.235	2.0	
6	Clearance between shaft and support	ø 40.8 -0.05 -0.01	ø 40.8 +0.3 +0.1	0.15 to 0.4	1.2	

3) IDLER

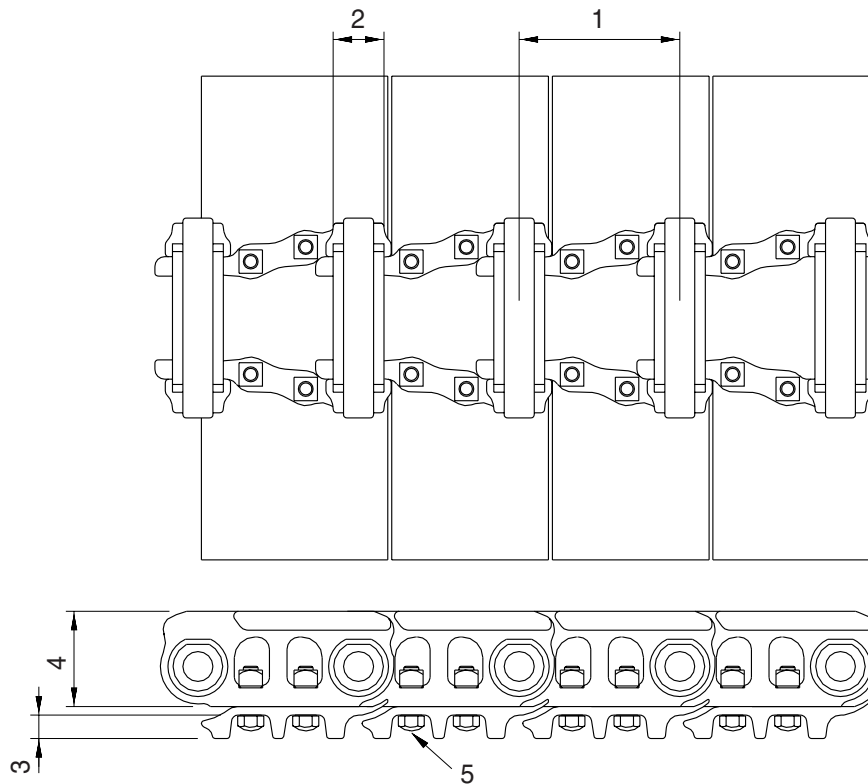


21037MS03

Unit : mm

No.	Check item	Criteria		Remedy		
		Standard size	Repair limit			
1	Outside diameter of protrusion	$\phi 510$	-	Rebuild or replace		
2	Outside diameter of tread	$\phi 470$	$\phi 460$			
3	Width of protrusion	67	-			
4	Total width	135	-			
5	Width of tread	34	39			
6	Clearance between shaft and bushing	Standard size & tolerance		Standard clearance	Clearance limit	Replace bushing
		Shaft	Hole			
		$\phi 70 \begin{matrix} 0 \\ -0.03 \end{matrix}$	$\phi 70.3 \begin{matrix} +0.05 \\ 0 \end{matrix}$	0.3 to 0.38	2.0	
7	Clearance between shaft and support	$\phi 70 \begin{matrix} 0 \\ -0.03 \end{matrix}$	$\phi 70 \begin{matrix} +0.07 \\ +0.03 \end{matrix}$	0.03 to 0.1	1.2	Rebuild or Replace
8	Side clearance of idler (Both side)	Standard clearance		Clearance limit		Replace bushing
		0.25~1.15		2.0		

4) TRACK

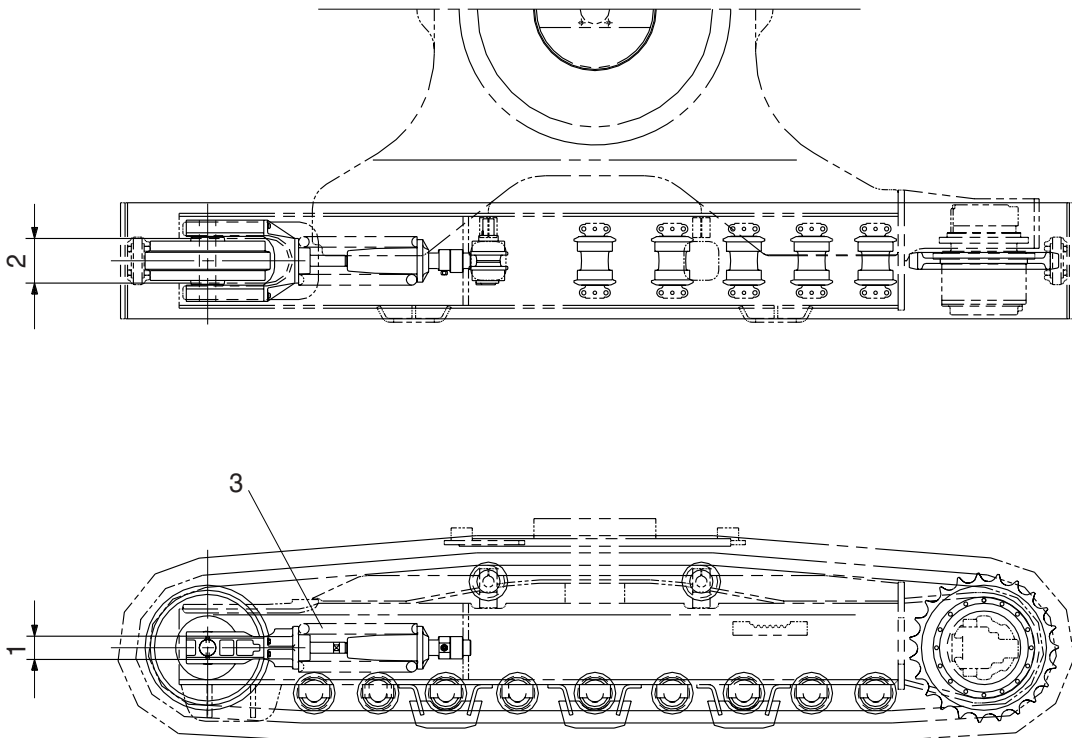


21037MS04

Unit : mm

No.	Check item	Criteria		Remedy
		Standard size	Repair limit	
1	Link pitch	171.45	175.45	Turn or replace
2	Outside diameter of bushing	∅ 50.6	∅ 40.8	Rebuild or replace
3	Height of grouser	20	16	
4	Height of link	90	82	
5	Tightening torque	Initial tightening torque : $42 \pm 4 \text{kgf} \cdot \text{m}$		Retighten

5) TRACK FRAME AND RECOIL SPRING

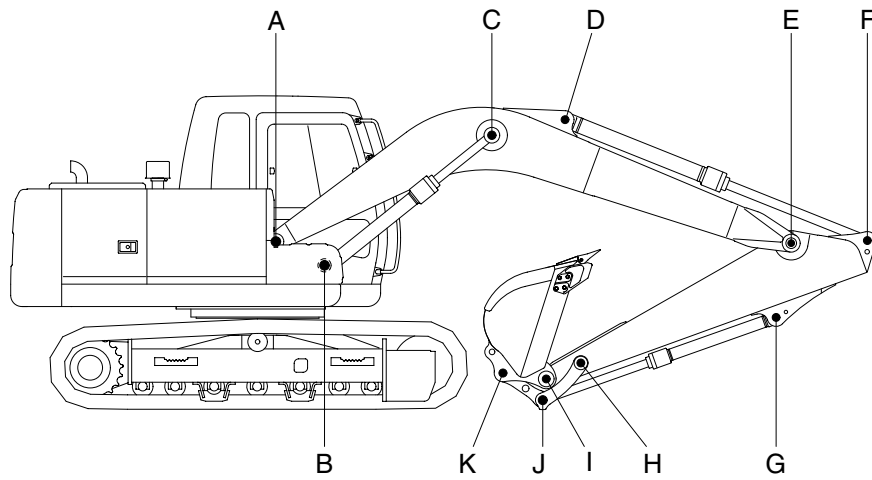


21037MS05

Unit : mm

No.	Check item	Criteria				Remedy	
			Standard size	Tolerance	Repair limit		
1	Vertical width of idler guide	Track frame	103	+2 0	107	Rebuild or replace	
		Idler support	100	-0 -0.5	98		
2	Horizontal width of idler guide	Track frame	192	+2 0	196		
		Idler support	190	-	188		
3	Recoil spring	Standard size		Repair limit		Replace	
		Free length	Installation length	Installation load	Free length		Installation load
		∅ 192 × 470	405	8,497kg	-		6.978kg

2. WORK EQUIPMENT



11077MS15

Unit : mm

Mark	Measuring point (Pin and Bushing)	Normal value	Pin		Bushing		Remedy & Remark
			Recomm. service limit	Limit of use	Recomm. service limit	Limit of use	
A	Boom Rear	70	69	68.5	70.5	71	Replace
B	Boom Cylinder Head	70	69	68.5	70.5	71	"
C	Boom Cylinder Rod	70	69	68.5	70.5	71	"
D	Arm Cylinder Head	65	64	63.5	65.5	66	"
E	Boom Front	70	69	68.5	70.5	71	"
F	Arm Cylinder Rod	65	64	63.5	65.5	66	"
G	Bucket Cylinder Head	65	64	63.5	65.5	66	"
H	Arm Link	65	64	63.5	65.5	66	"
I	Bucket and Arm Link	65	64	63.5	65.5	66	"
J	Bucket Cylinder Rod	65	64	63.5	65.5	66	"
K	Bucket Link	65	64	63.5	65.5	66	"