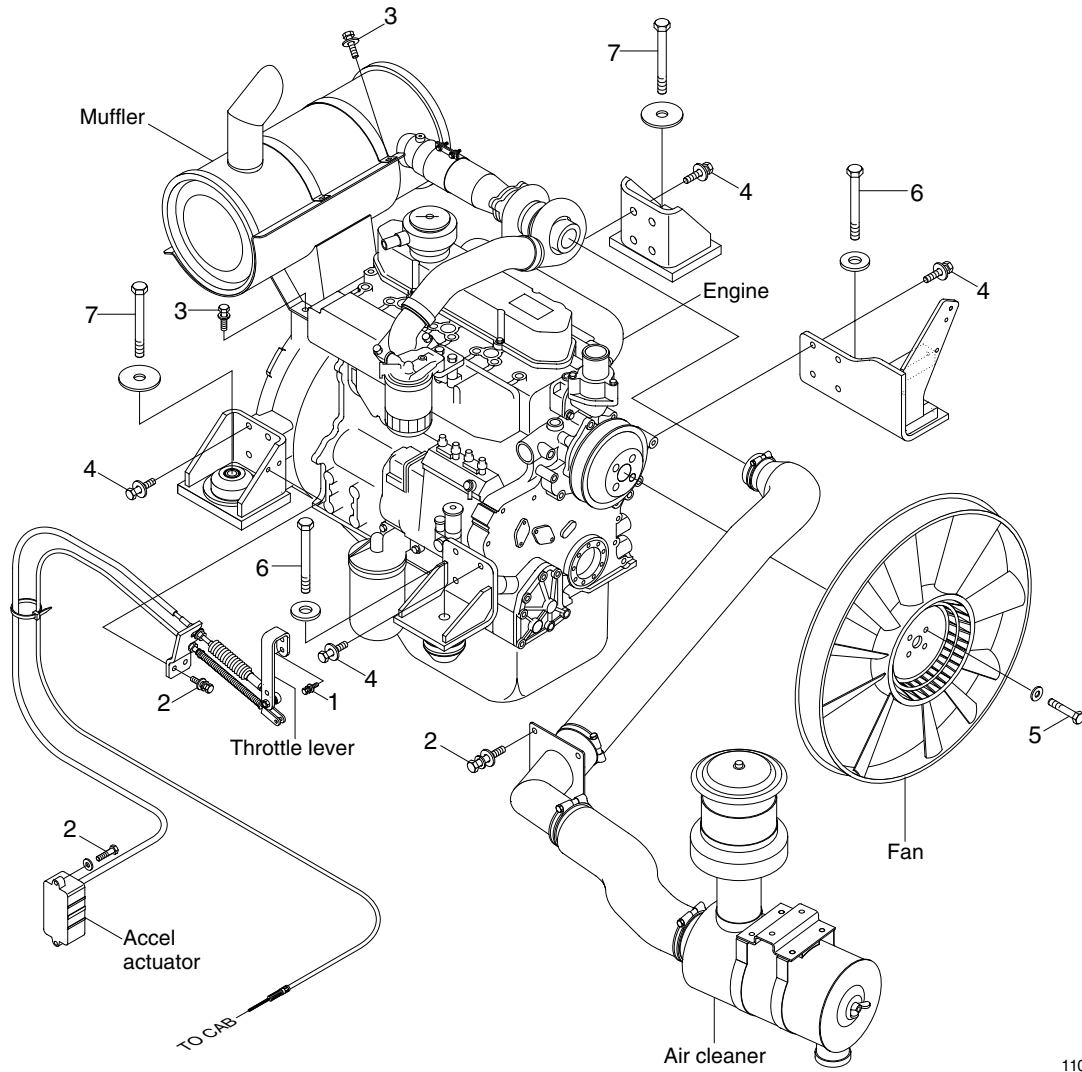


GROUP 2 ENGINE SYSTEM

1. ENGINE AND ACCESSORIES MOUNTING



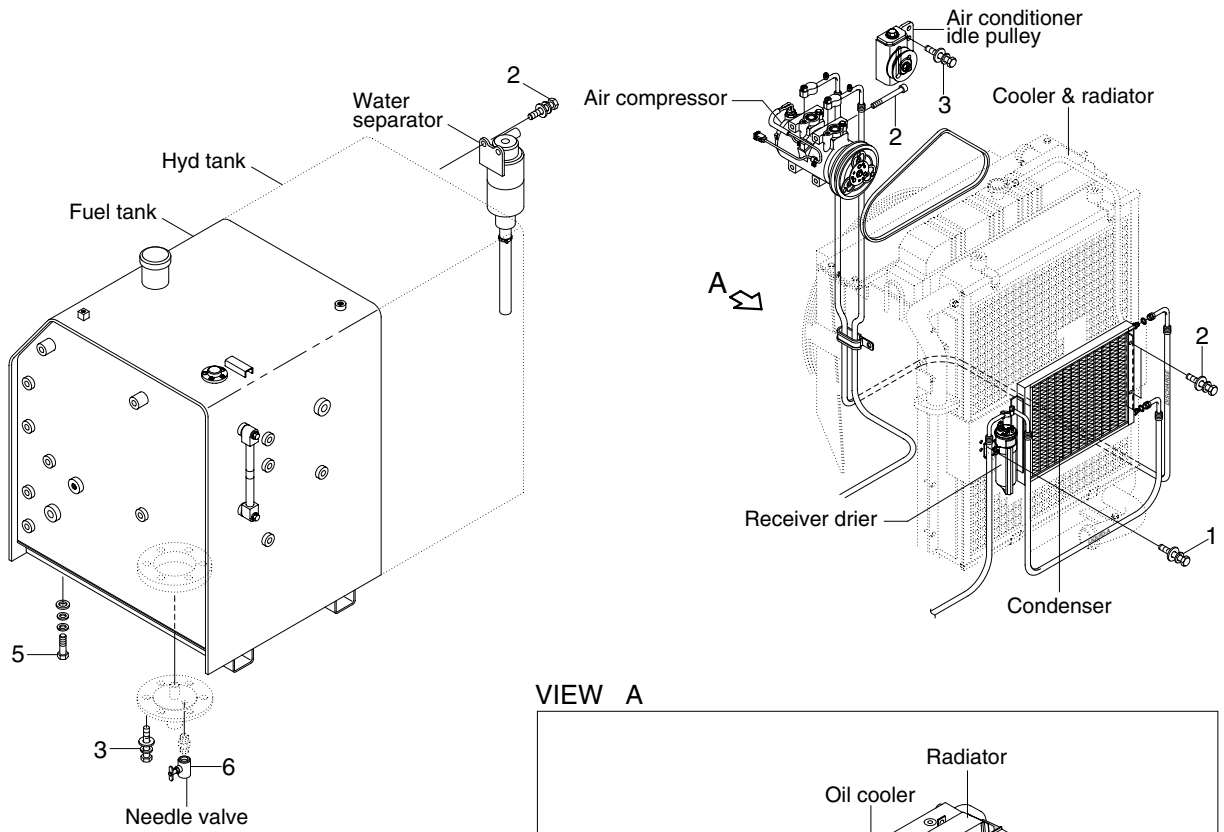
11079CM01

· Tightening torque

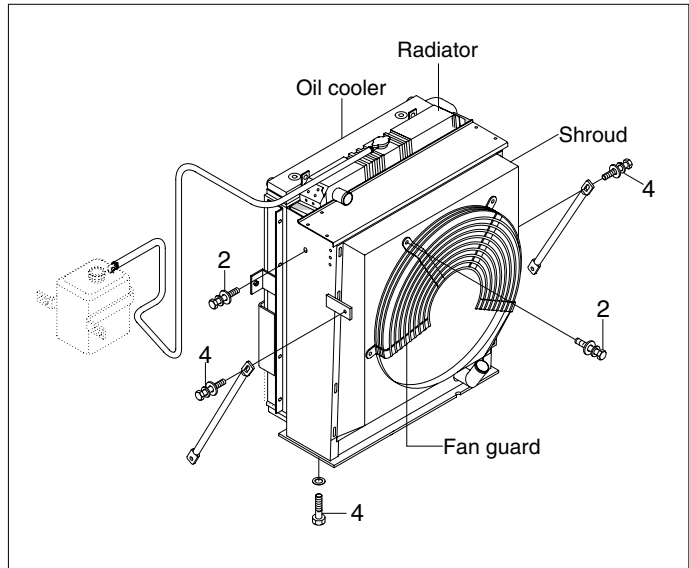
Item	Size	kgf · m	lbf · ft
1	M 6×1.0	1.1±0.2	7.95±1.45
2	M 8×1.25	2.5±0.5	18.1±3.6
3	M10×1.5	6.9±1.4	49.9±10.1
4	M12×1.75	10±2.0	72.3±14.5

Item	Size	kgf · m	lbf · ft
5	M10×1.5	4.4	31.8
6	M16×2.0	55±3.5	398±25.3
7	M20×2.5	30±3.5	217±25.3
-	-	-	-

2. COOLING SYSTEM AND FUEL TANK MOUNTING



VIEW A



11079CM02

· Tightening torque

Item	Size	kgf · m	lbf · ft
1	M 6×1.0	1.05±0.2	7.6±1.45
2	M 8×1.25	2.5±0.5	18.1±3.6
3	M10×1.5	6.9±1.4	49.9±10.1

Item	Size	kgf · m	lbf · ft
4	M12×1.75	12.8±3.0	92.6±21.7
5	M20×2.5	45±5.1	325±36.9
6	-	2.3±0.6	16.6±4.3