

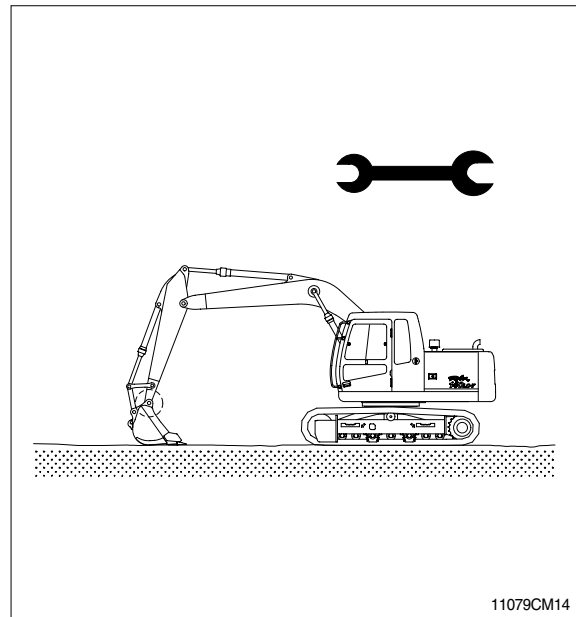
SECTION 9 COMPONENT MOUNTING TORQUE

Group 1	Introduction guide	9-1
Group 2	Engine system	9-2
Group 3	Electric system	9-4
Group 4	Hydraulic system	9-6
Group 5	Undercarriage	9-10
Group 6	Structure	9-11
Group 7	Work equipment	9-14

SECTION 9 COMPONENT MOUNTING TORQUE

GROUP 1 INTRODUCTION GUIDE

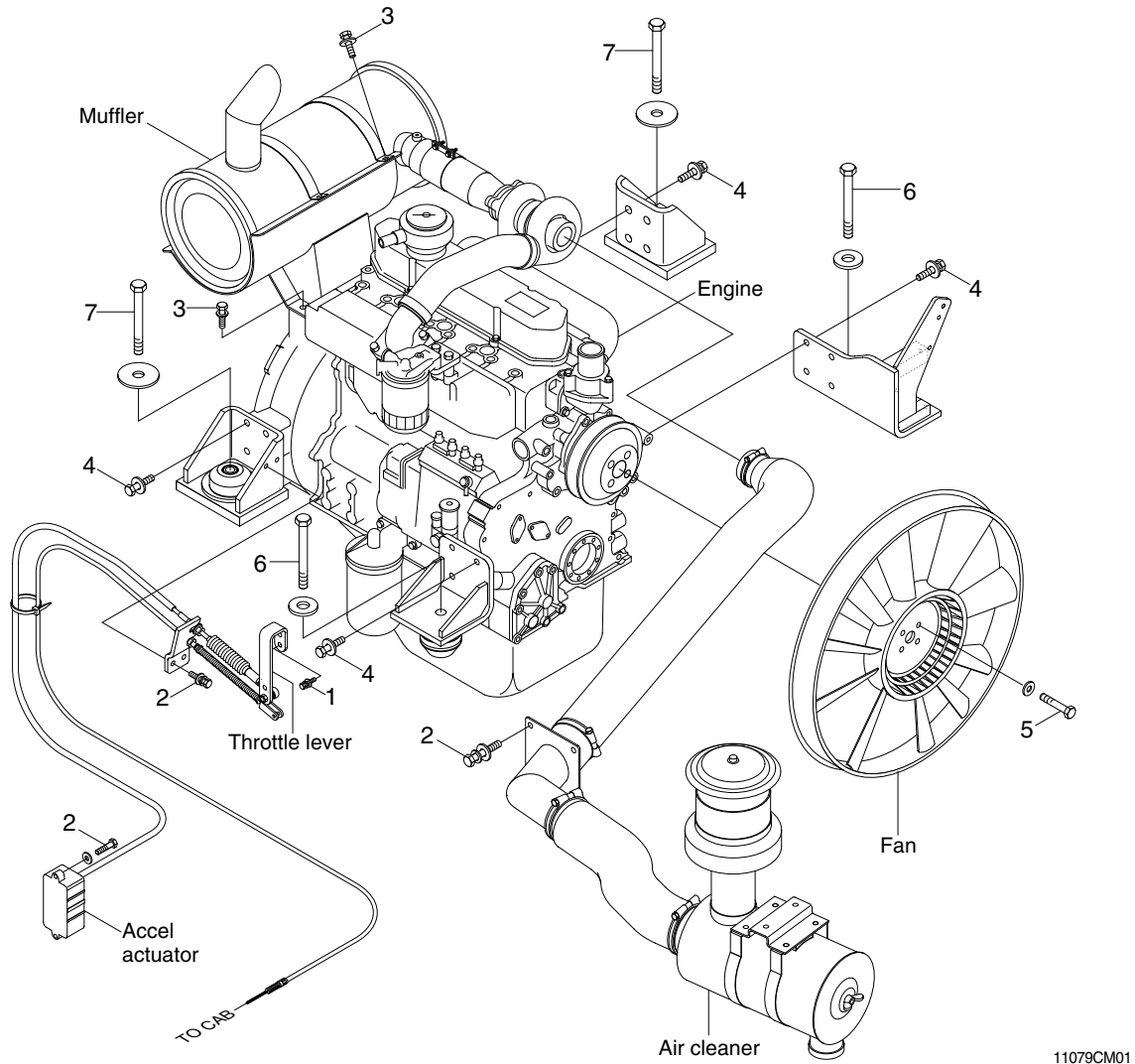
1. This section shows bolt specifications and standard torque values needed when mounting components to the machine.
 2. Use genuine Hyundai spare parts.
We expressly point out that Hyundai will not accept any responsibility for defects resulted from non-genuine parts.
In such cases Hyundai cannot assume liability for any damage.
- ※ **Only metric fasteners can be used and incorrect fasteners may result in machine damage or malfunction.**
 - ※ **Before installation, clean all the components with a non-corrosive cleaner. Bolts and threads must not be worn or damaged.**



11079CM14

GROUP 2 ENGINE SYSTEM

1. ENGINE AND ACCESSORIES MOUNTING



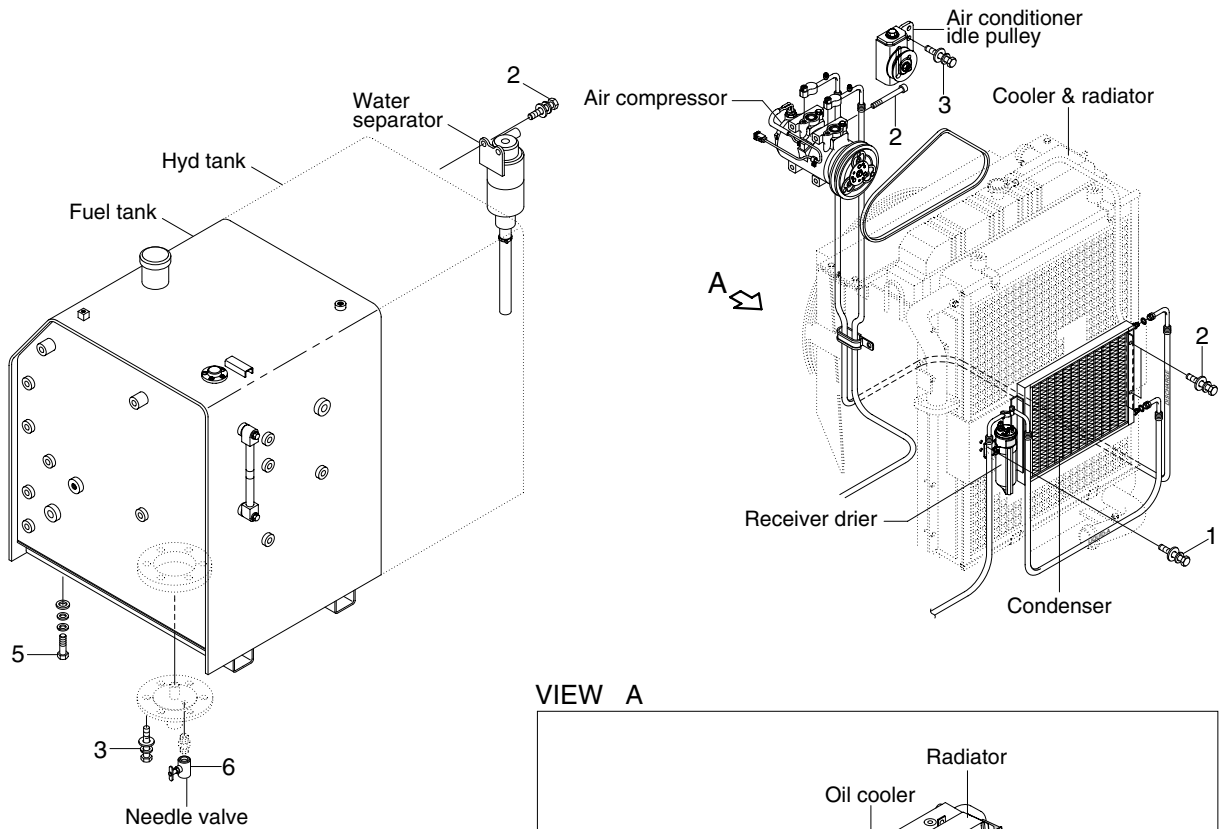
11079CM01

· Tightening torque

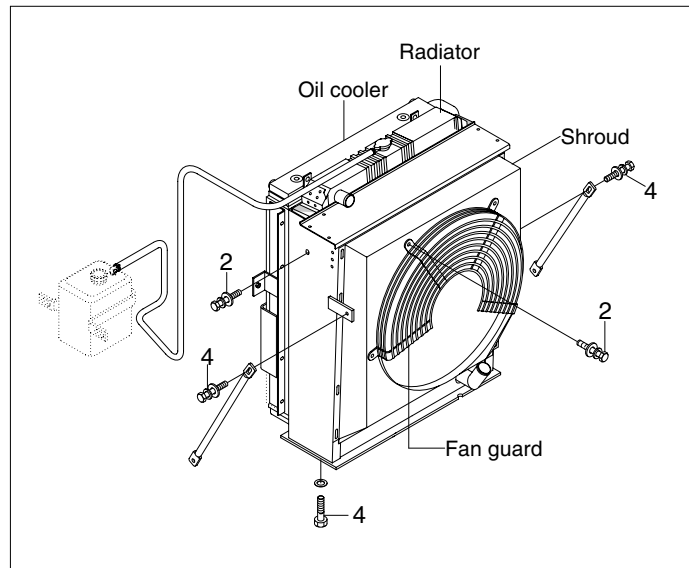
Item	Size	kgf · m	lbf · ft
1	M 6×1.0	1.1±0.2	7.95±1.45
2	M 8×1.25	2.5±0.5	18.1±3.6
3	M10×1.5	6.9±1.4	49.9±10.1
4	M12×1.75	10±2.0	72.3±14.5

Item	Size	kgf · m	lbf · ft
5	M8×1.25	2.5±0.5	18.1±3.6
6	M16×2.0	55±3.5	398±25.3
7	M20×2.5	30±3.5	217±25.3
-	-	-	-

2. COOLING SYSTEM AND FUEL TANK MOUNTING



VIEW A



11079CM02

· Tightening torque

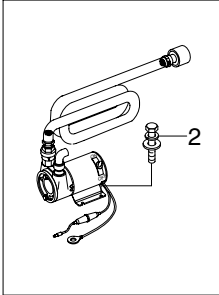
Item	Size	kgf · m	lbf · ft
1	M 6×1.0	1.05±0.2	7.6±1.45
2	M 8×1.25	2.5±0.5	18.1±3.6
3	M10×1.5	6.9±1.4	49.9±10.1

Item	Size	kgf · m	lbf · ft
4	M12×1.75	12.8±3.0	92.6±21.7
5	M20×2.5	45±5.1	325±36.9
6	-	2.3±0.6	16.6±4.3

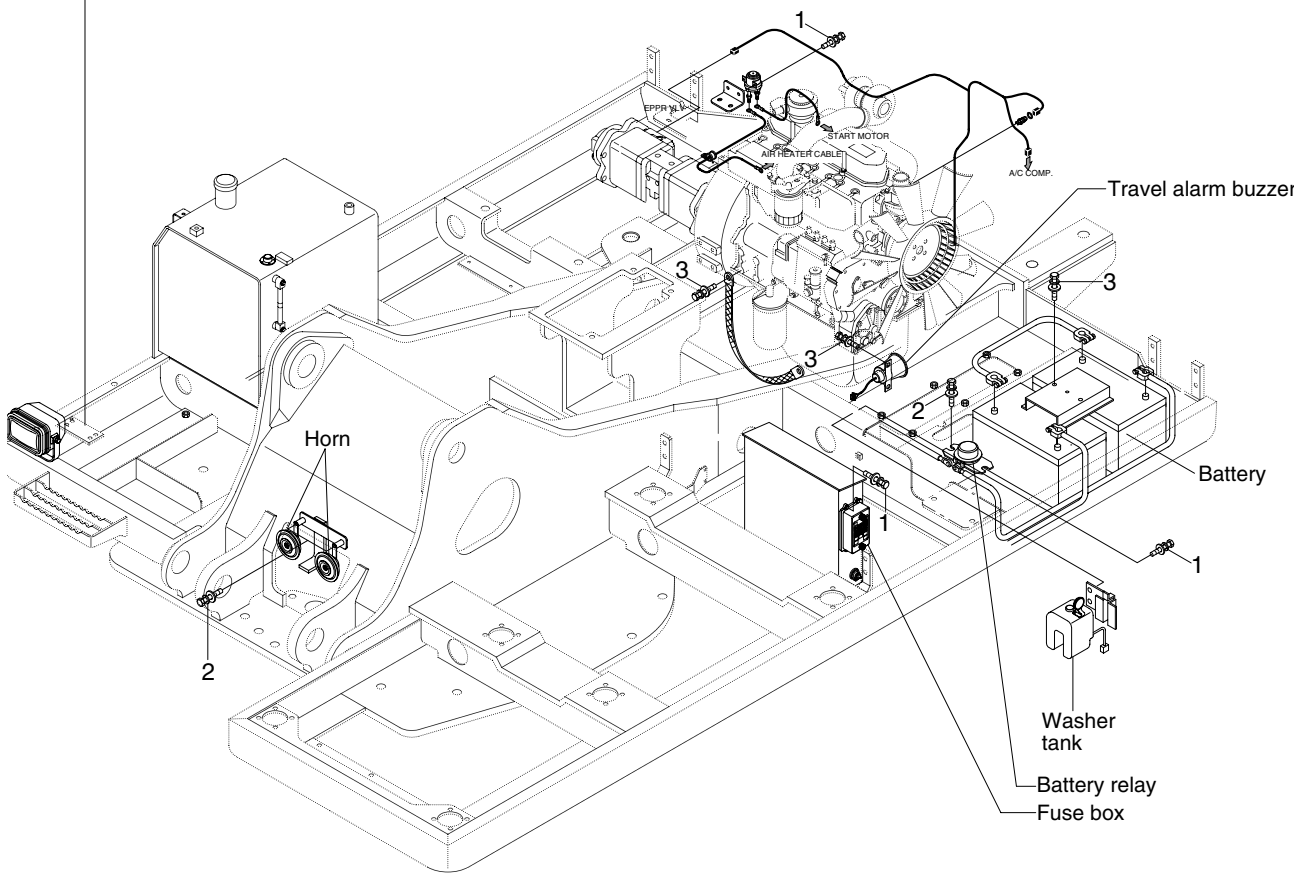
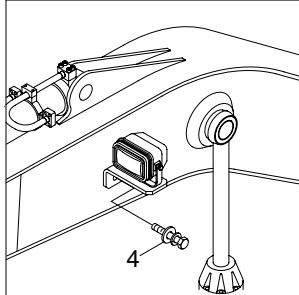
GROUP 3 ELECTRIC SYSTEM

1. ELECTRIC COMPONENTS MOUNTING 1

Fuel filler pump



Work lamp



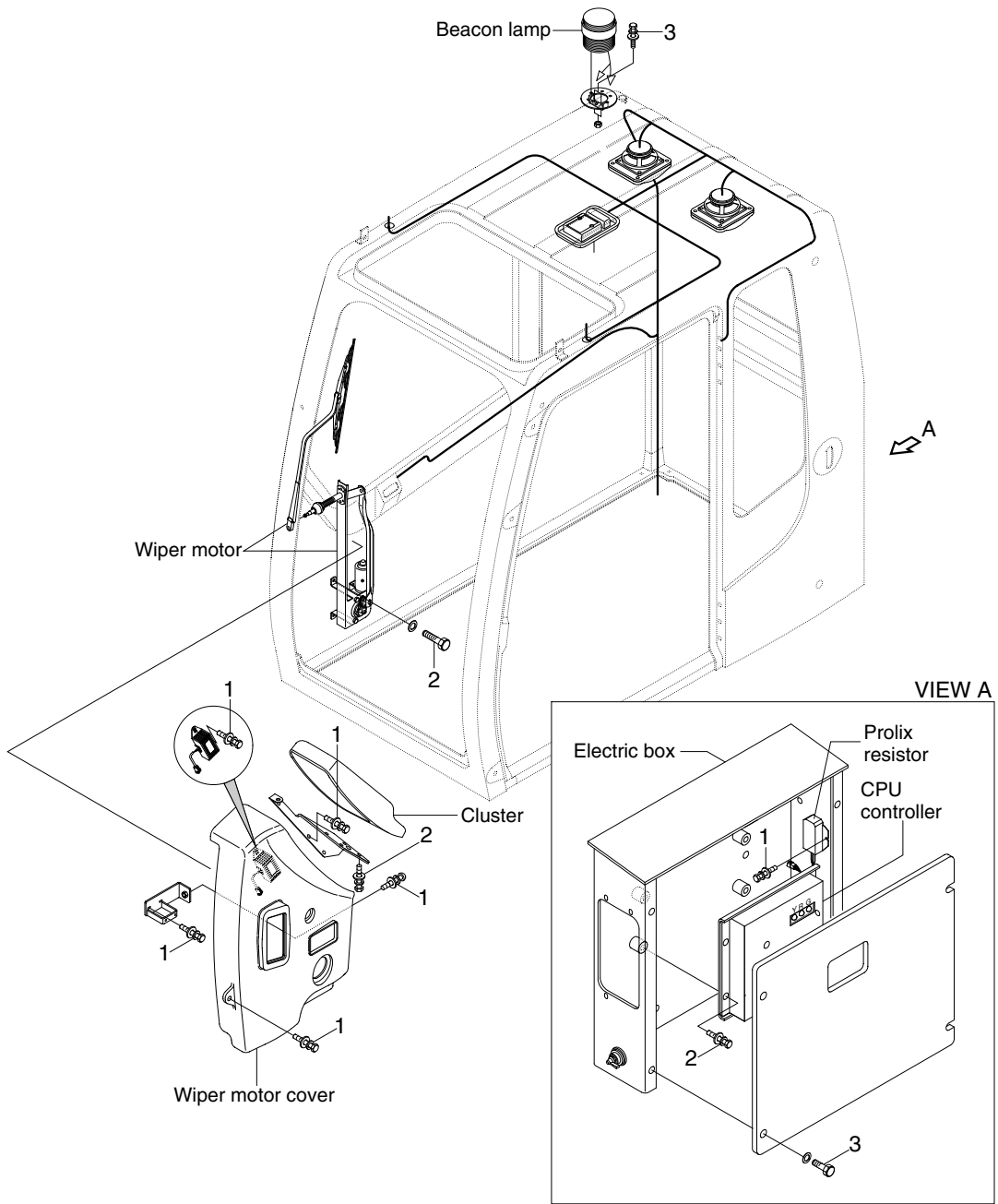
11079CM03

· Tightening torque

Item	Size	kgf · m	lbf · ft
1	M 6×1.0	1.05±0.2	7.6±1.45
2	M 8×1.25	2.5±0.5	18.1±3.6

Item	Size	kgf · m	lbf · ft
3	M10×1.5	6.9±1.4	49.9±10.1
4	M12×1.75	12.8±3.0	92.6±21.7

2. ELECTRIC COMPONENTS MOUNTING 2



11079CM04

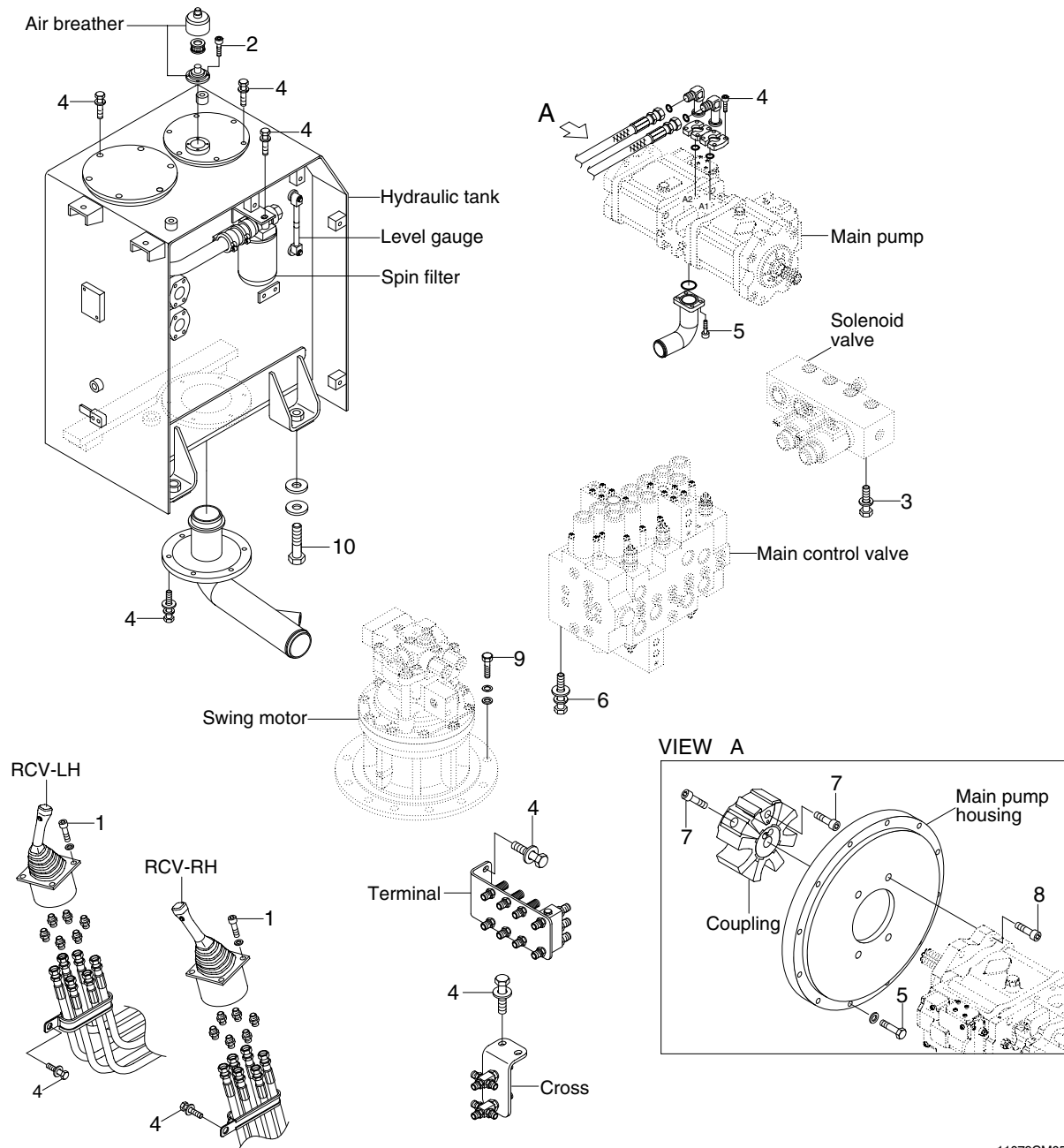
· Tightening torque

Item	Size	kgf · m	lbf · ft
1	M 6×1.0	1.05±0.2	7.6±1.45
2	M 8×1.25	2.5±0.5	18.1±3.6

Item	Size	kgf · m	lbf · ft
3	M10×1.5	6.9±1.4	49.9±10.1
-	-	-	-

GROUP 4 HYDRAULIC SYSTEM

1. HYDRAULIC COMPONENTS MOUNTING 1



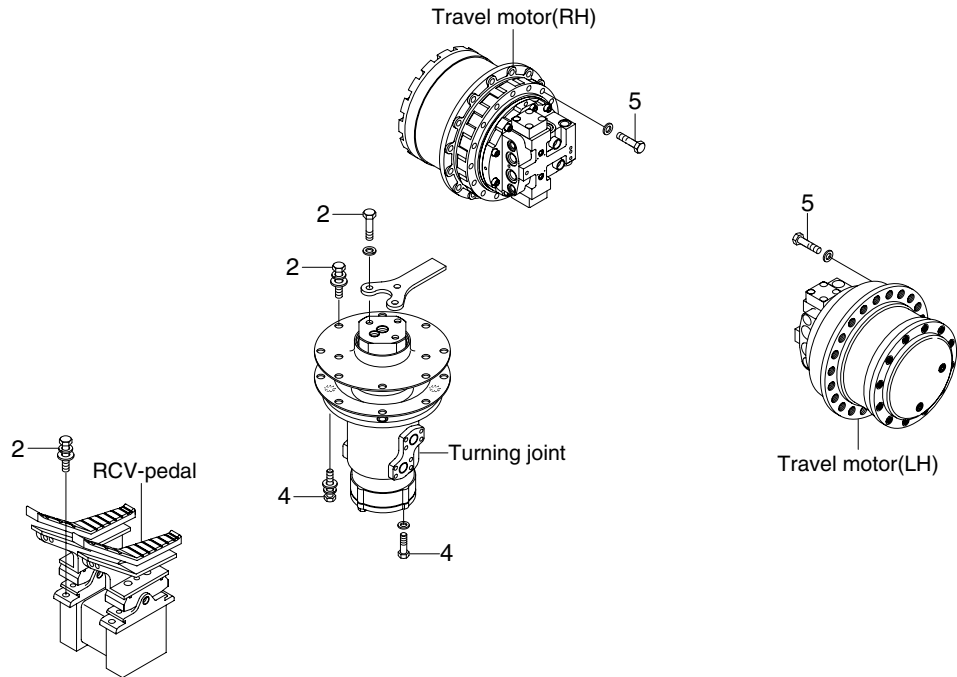
11079CM05

· Tightening torque

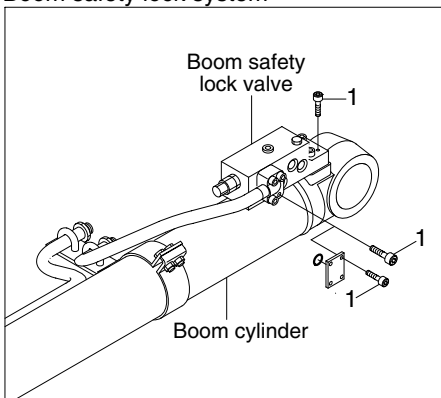
Item	Size	kgf · m	lbf · ft
1	M 6×1.0	1.05±0.2	7.6±1.45
2	M 6×1.0	1.44±0.3	10.4±2.2
3	M 8×1.25	2.5±0.5	18.1±3.6
4	M10×1.5	6.9±1.4	49.9±10.1
5	M10×1.5	6.1±0.3	44.1±2.2

Item	Size	kgf · m	lbf · ft
6	M12×1.75	12.2±1.3	88.2±9.4
7	M16×2.0	22.0±1.0	159±7.2
8	M16×2.0	22.1±2.4	160±17.4
9	M16×2.0	29.6±3.2	214±23.1
10	M20×2.5	45±5.1	325±36.9

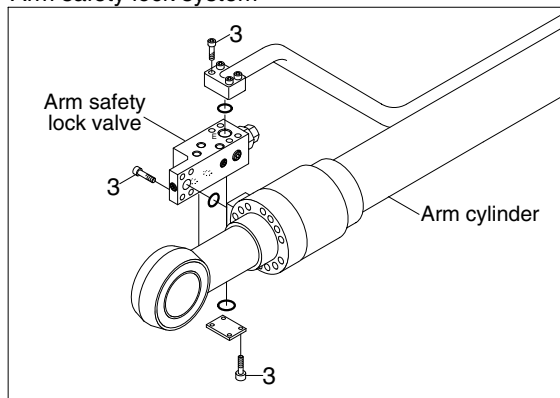
2. HYDRAULIC COMPONENTS MOUNTING 2



Boom safety lock system



Arm safety lock system



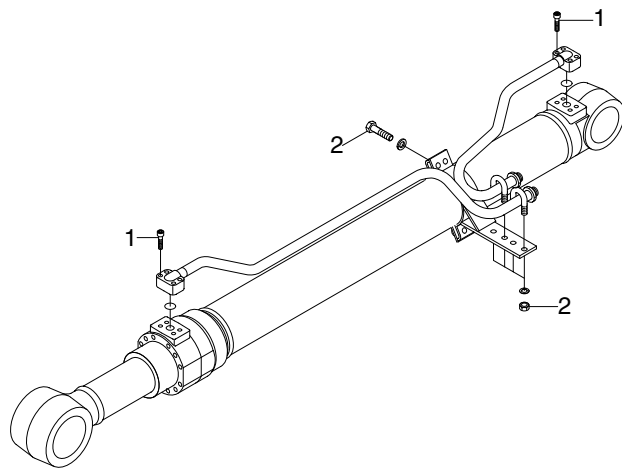
11079CM06

· Tightening torque

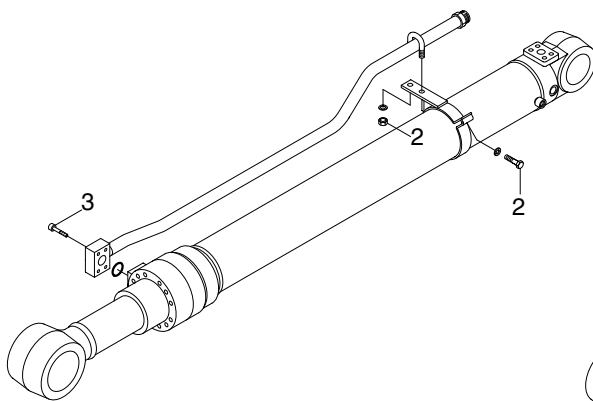
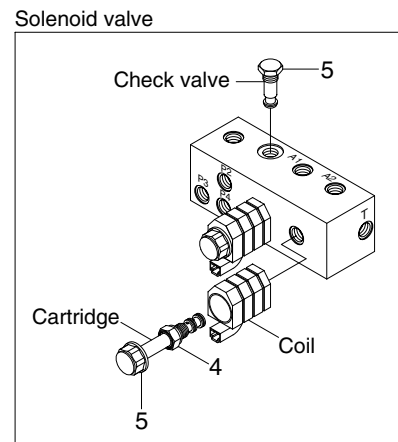
Item	Size	kgf · m	lbf · ft
1	M 8 × 1.25	4.05 ± 0.8	29.3 ± 5.8
2	M10 × 1.5	6.9 ± 1.4	49.9 ± 10.1
3	M10 × 1.5	8.27 ± 1.7	59.8 ± 12.3

Item	Size	kgf · m	lbf · ft
4	M12 × 1.75	12.8 ± 3.0	92.6 ± 21.7
5	M16 × 2.0	23 ± 2.5	166.3 ± 18.1
-	-	-	-

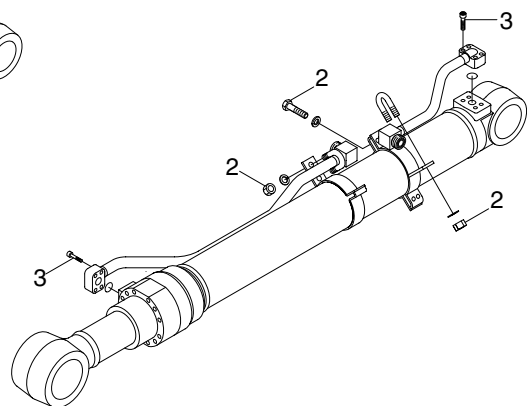
3. HYDRAULIC COMPONENTS MOUNTING 3



BOOM CYLINDER



ARM CYLINDER



BUCKET CYLINDER

11079CM07

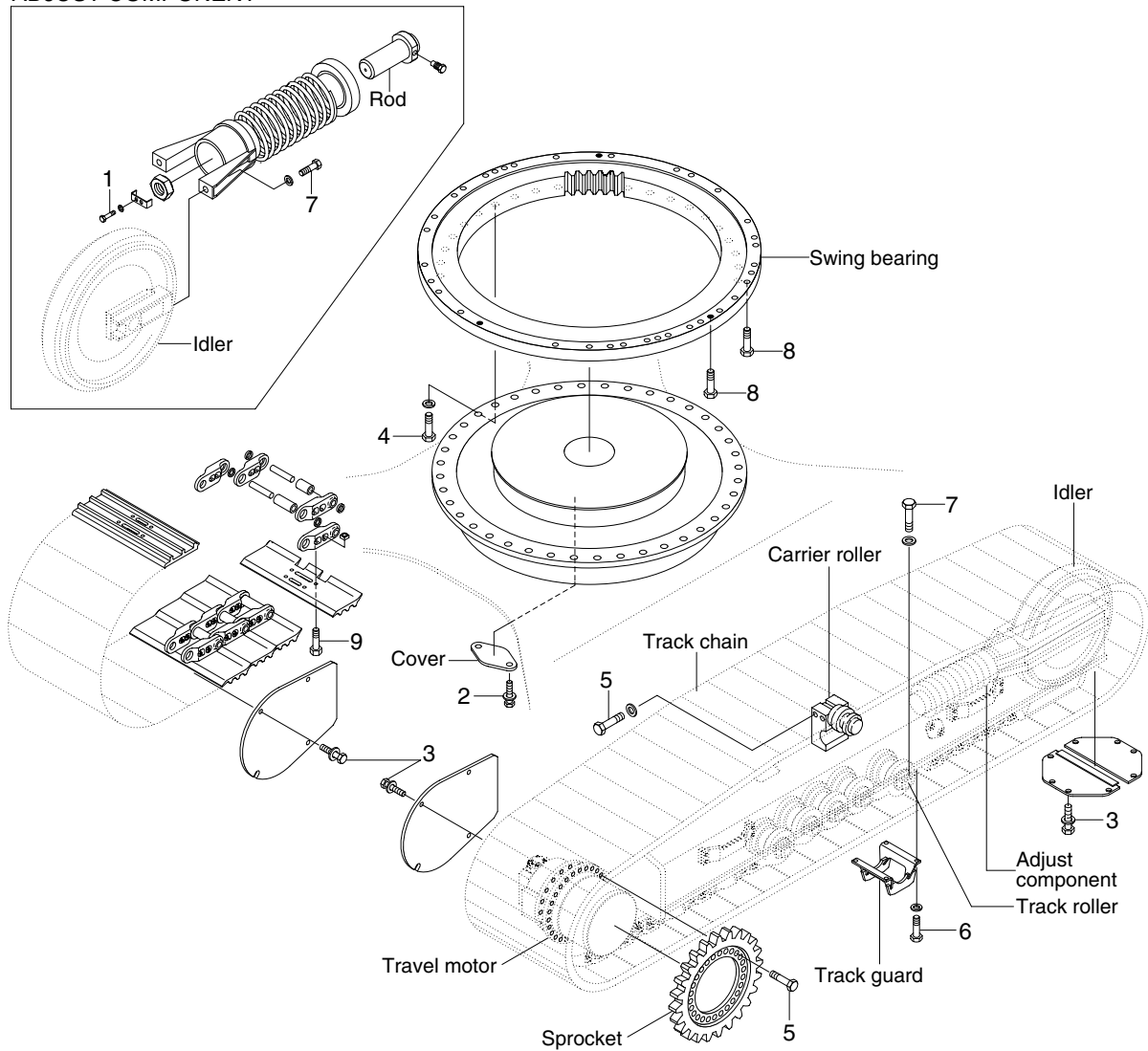
· Tightening torque

Item	Size	kgf · m	lbf · ft
1	M 8×1.25	2.7±0.3	19.5±2.2
2	M10×1.5	3.2±0.3	23.1±2.2
3	M10×1.5	5.4±0.5	39.1±3.6
4	-	0.4	2.9

Item	Size	kgf · m	lbf · ft
5	-	2.0	14.5

GROUP 5 UNDERCARRIAGE

ADJUST COMPONENT



11079CM08

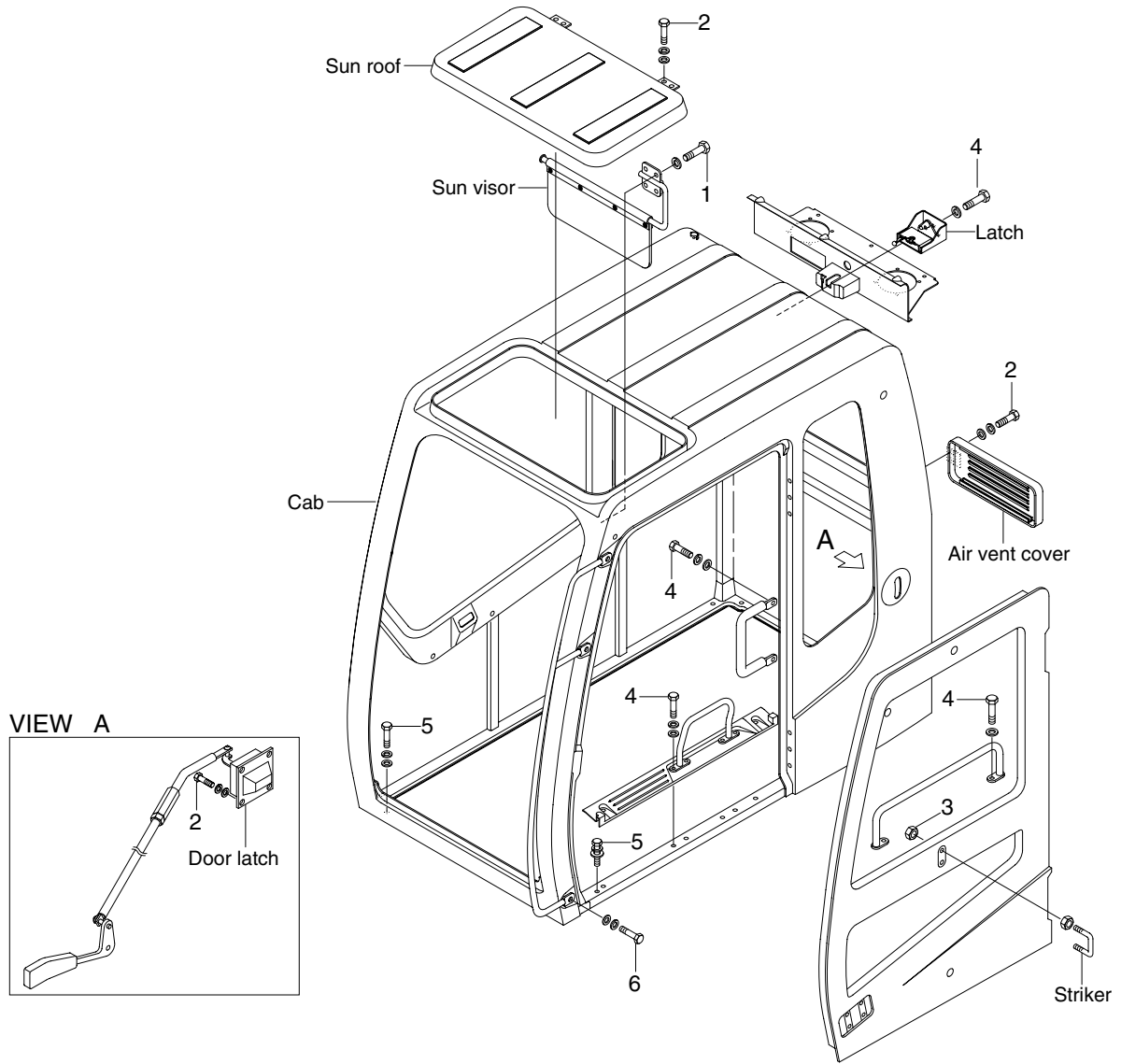
· Tightening torque

Item	Size	kgf · m	lbf · ft
1	M 8 × 1.25	3.43 ± 0.7	24.8 ± 5.1
2	M10 × 1.5	6.9 ± 1.4	49.9 ± 10.1
3	M12 × 1.75	12.8 ± 3.0	92.6 ± 21.7
4	M16 × 1.5	31.3 ± 4.7	226 ± 34
5	M16 × 2.0	29.7 ± 4.5	215 ± 32.5

Item	Size	kgf · m	lbf · ft
6	M16 × 2.0	29.6 ± 3.2	214 ± 23.1
7	M16 × 2.0	29.7 ± 4.5	215 ± 32.5
8	M18 × 2.5	41.3 ± 6.2	299 ± 44.8
9	5/8"	42 ± 4.0	304 ± 29
-	-	-	-

GROUP 6 STRUCTURE

1. CAB AND ACCESSORIES MOUNTING



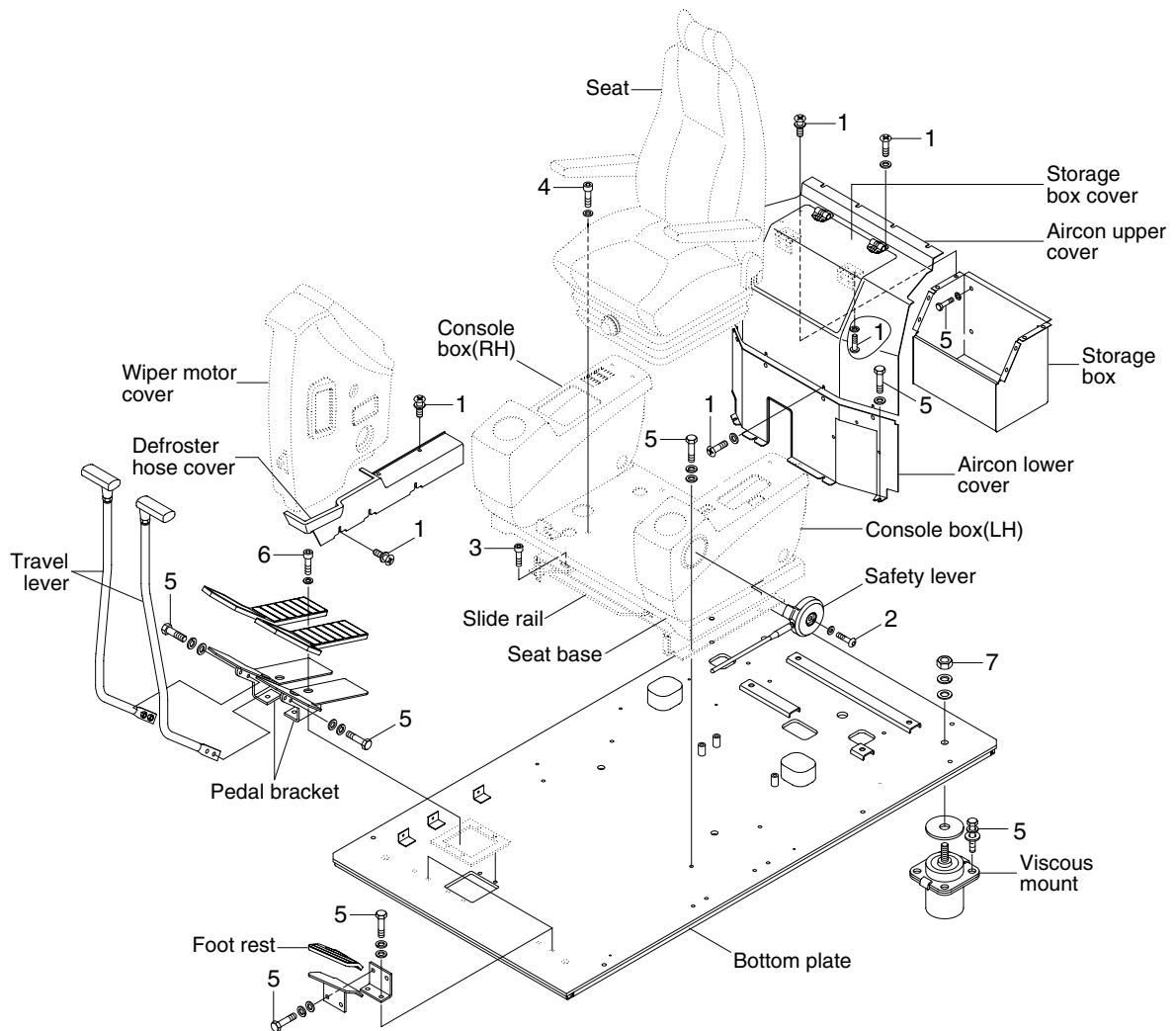
11079CM09

· Tightening torque

Item	Size	kgf · m	lbf · ft
1	M 6×1.0	0.49±0.1	3.5±0.7
2	M 8×1.25	2.5±0.5	18.1±3.6
3	M10×1.5	4.7±0.9	34±6.5

Item	Size	kgf · m	lbf · ft
4	M10×1.5	6.9±1.4	49.9±10.1
5	M12×1.75	12.8±3.0	92.6±21.7
6	M16×2.0	29.7±4.5	215±32.5

2. CAB INTERIOR MOUNTING



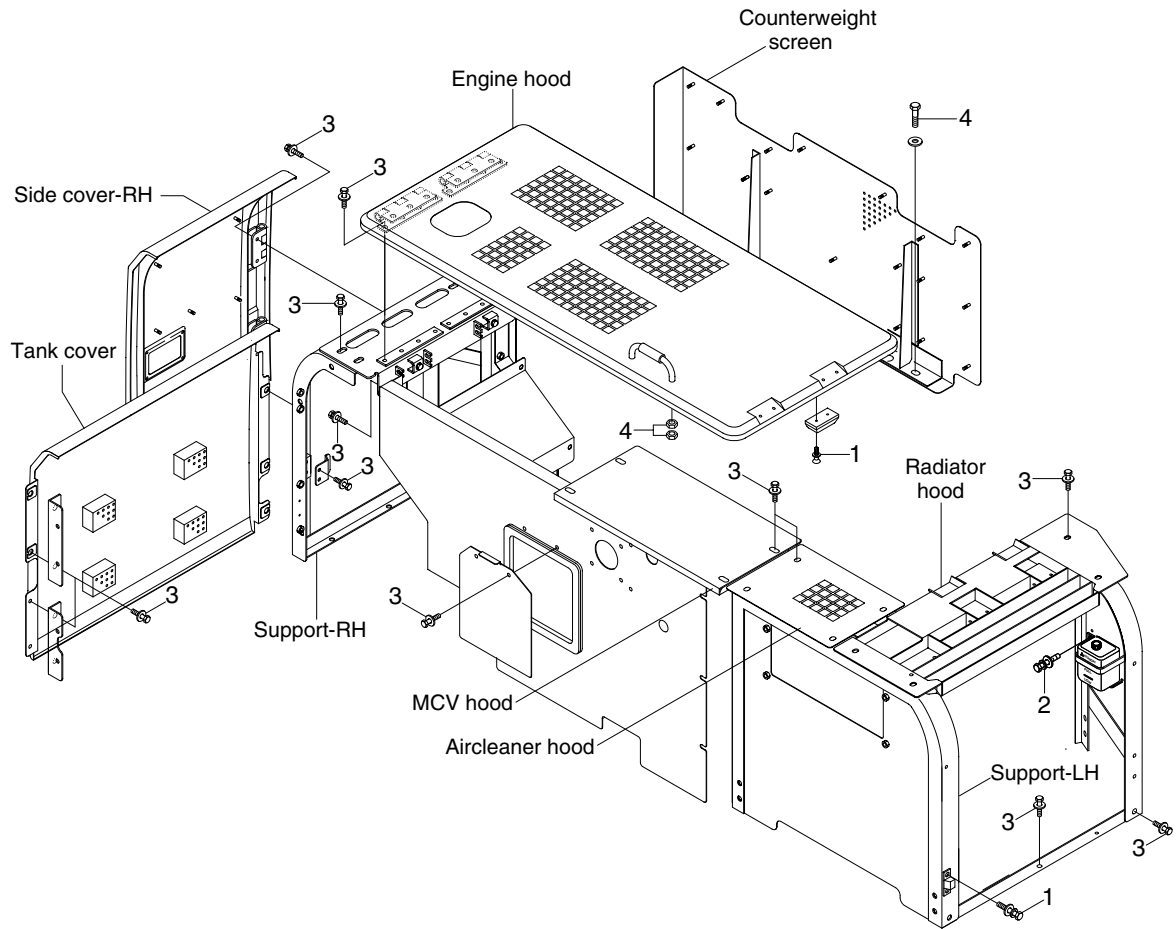
14079CM10

· Tightening torque

Item	Size	kgf · m	lbf · ft
1	M 6×1.0	0.49±0.1	3.5±0.7
2	M 6×1.0	1.05±0.2	7.6±1.4
3	M 8×1.25	3.43±0.7	24.8±5.1
4	M 8×1.25	4.05±0.8	29.3±5.8

Item	Size	kgf · m	lbf · ft
5	M10×1.5	6.9±1.4	49.9±10.1
6	M10×1.5	8.27±1.7	59.8±12.3
7	M16×2.0	29.7±4.5	215±32.5
-	-	-	-

3. COWLING MOUNTING



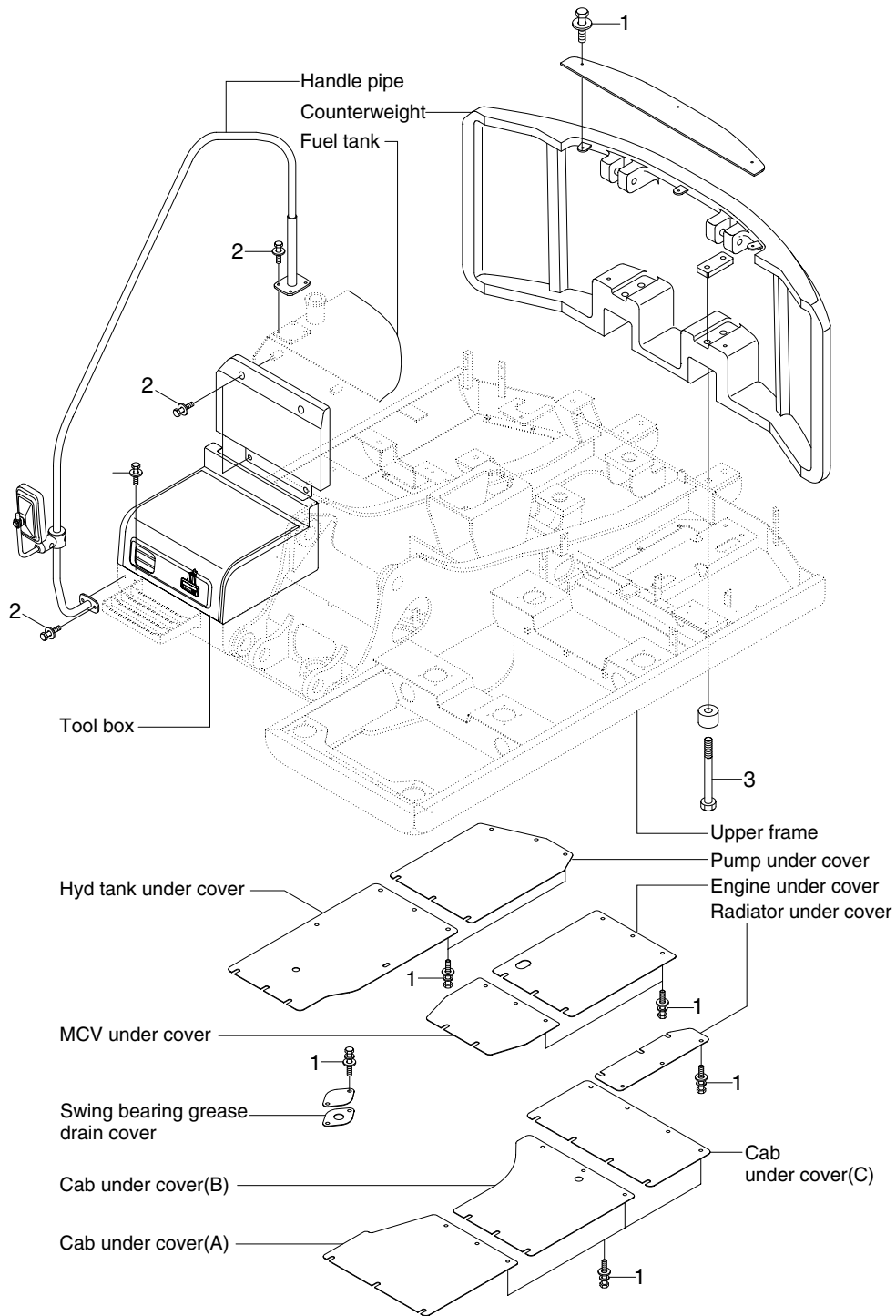
11079CM11

· Tightening torque

Item	Size	kgf · m	lbf · ft
1	M 6×1.0	0.49±0.1	3.5±0.7
2	M 8×1.25	2.5±0.5	18.1±3.6

Item	Size	kgf · m	lbf · ft
3	M12×1.75	12.8±3.0	92.6±21.7
4	M16×2.0	29.7±4.5	215±32.5

4. COUNTERWEIGHT AND COVERS MOUNTING



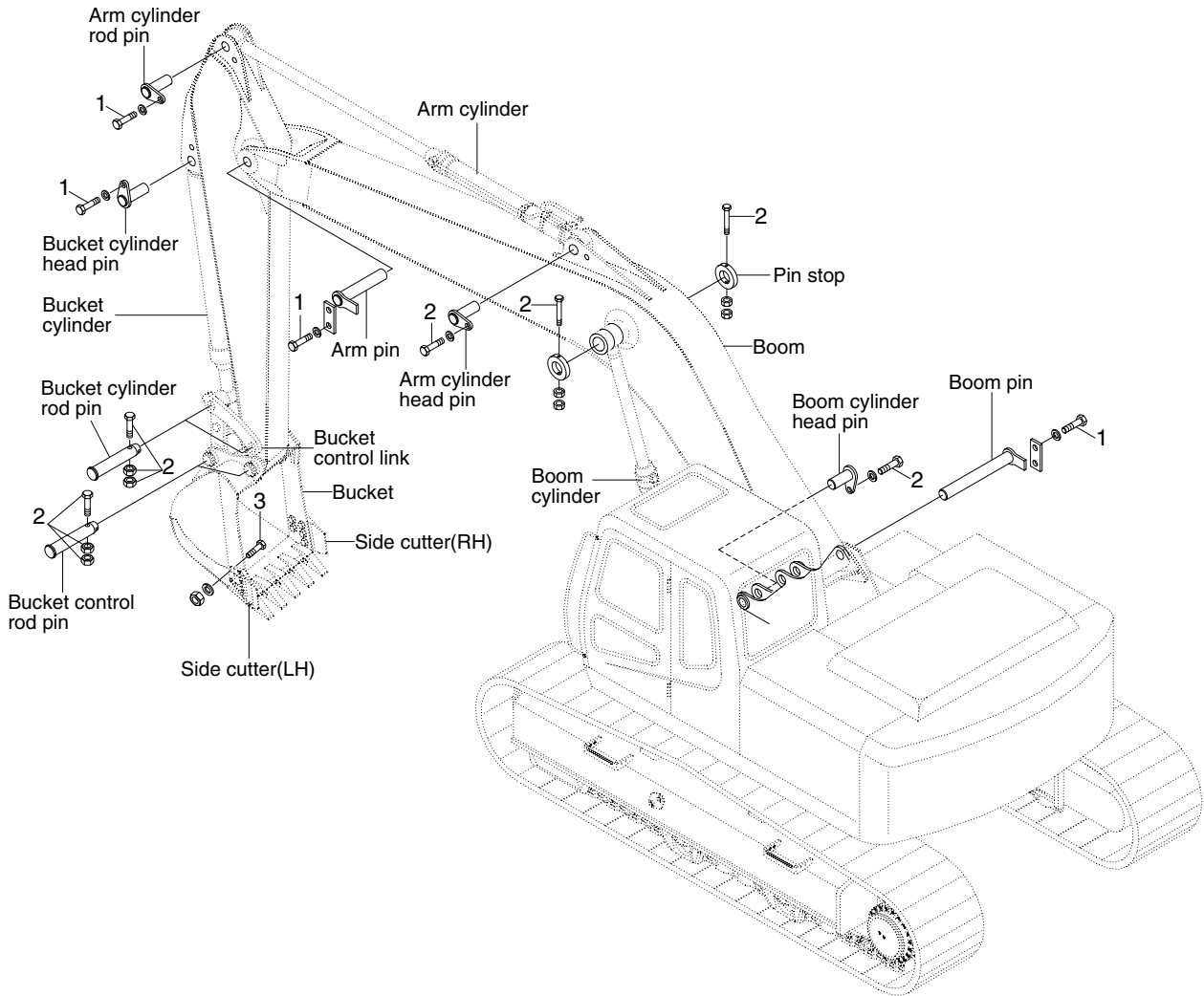
11079CM12

· Tightening torque

Item	Size	kgf · m	lbf · ft
1	M10×1.5	6.9±1.4	49.9±10.1
2	M12×1.75	12.8±3.0	92.6±21.7

Item	Size	kgf · m	lbf · ft
3	M24×3.0	97.8±10	707±72.3
-	-	-	-

GROUP 7 WORK EQUIPMENT



11079CM13

· Tightening torque

Item	Size	kgf · m	lbf · ft
1	M12×1.75	12.8±3.0	92.6±21.7
2	M16×2.0	29.7±4.5	215±32.5

Item	Size	kgf · m	lbf · ft
3	M20×2.5	57.9±8.7	419±62.9
-	-	-	-