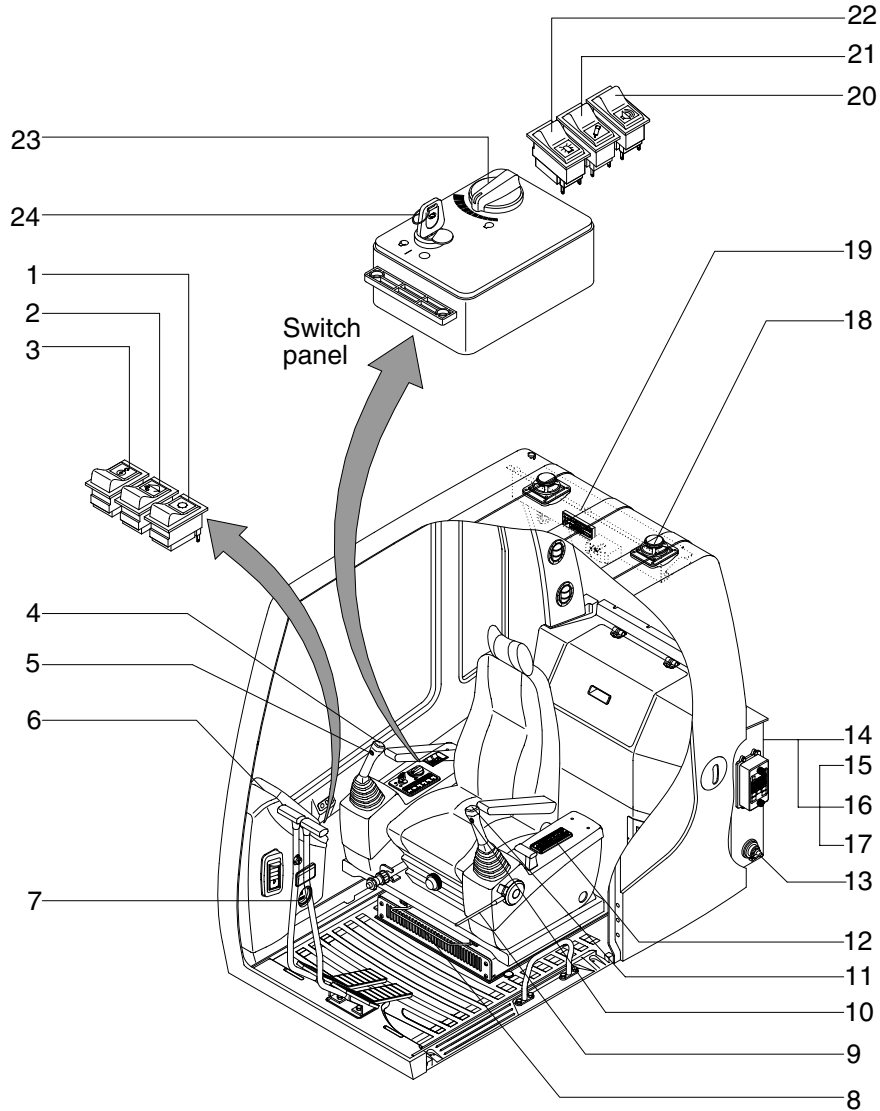


SECTION 4 ELECTRICAL SYSTEM

GROUP 1 COMPONENT LOCATION

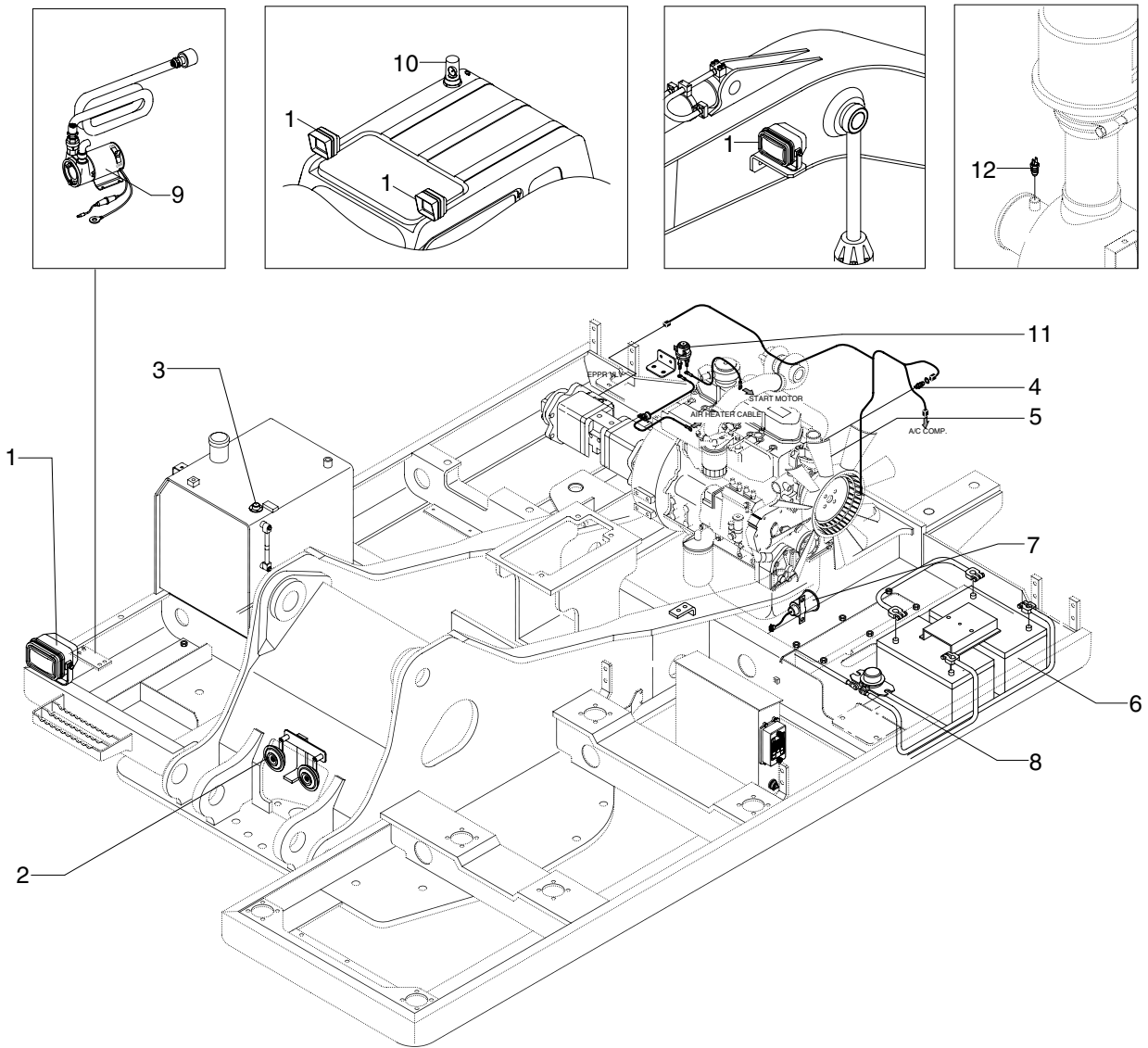
1. LOCATION 1



11074EL01

- | | | | | | |
|---|-------------------------------------|----|------------------------|----|--------------------------|
| 1 | Main light switch | 9 | Safety lever | 17 | Fuse box |
| 2 | Quick coupling switch | 10 | Power max switch | 18 | Speaker |
| 3 | Overload switch | 11 | One touch decel switch | 19 | Cassette radio |
| 4 | Horn switch | 12 | Air-con switch | 20 | Travel alarm stop switch |
| 5 | Breaker operation switch | 13 | Master switch | 21 | Breaker selection switch |
| 6 | Cluster | 14 | Electric box | 22 | Beacon switch |
| 7 | Hour meter | 15 | CPU controller | 23 | Accel dial |
| 8 | Emergency engine acceleration lever | 16 | Prolix resistor | 24 | Start switch |

2. LOCATION 2



11074EL02

- | | | | | | |
|---|-------------|---|---------------------|----|--------------------|
| 1 | Lamp | 5 | Alternator | 9 | Fuel filler pump |
| 2 | Horn | 6 | Battery | 10 | Beacon lamp |
| 3 | Fuel sender | 7 | Travel alarm buzzer | 11 | Heater relay |
| 4 | Temp sender | 8 | Battery relay | 12 | Air cleaner switch |