

Specifications

1204F-E44TA and 1204F-E44TTA Industrial Engines

MT (Engine)
MU(Engine)



Important Safety Information

Most accidents that involve product operation, maintenance and repair are caused by failure to observe basic safety rules or precautions. An accident can often be avoided by recognizing potentially hazardous situations before an accident occurs. A person must be alert to potential hazards. This person should also have the necessary training, skills and tools to perform these functions properly.

Improper operation, lubrication, maintenance or repair of this product can be dangerous and could result in injury or death.

Do not operate or perform any lubrication, maintenance or repair on this product, until you have read and understood the operation, lubrication, maintenance and repair information.

Safety precautions and warnings are provided in this manual and on the product. If these hazard warnings are not heeded, bodily injury or death could occur to you or to other persons.

The hazards are identified by the "Safety Alert Symbol" and followed by a "Signal Word" such as "DANGER", "WARNING" or "CAUTION". The Safety Alert "WARNING" label is shown below.



The meaning of this safety alert symbol is as follows:

Attention! Become Alert! Your Safety is Involved.

The message that appears under the warning explains the hazard and can be either written or pictorially presented.

Operations that may cause product damage are identified by "NOTICE" labels on the product and in this publication.

Perkins cannot anticipate every possible circumstance that might involve a potential hazard. The warnings in this publication and on the product are, therefore, not all inclusive. If a tool, procedure, work method or operating technique that is not specifically recommended by Perkins is used, you must satisfy yourself that it is safe for you and for others. You should also ensure that the product will not be damaged or be made unsafe by the operation, lubrication, maintenance or repair procedures that you choose.

The information, specifications, and illustrations in this publication are on the basis of information that was available at the time that the publication was written. The specifications, torques, pressures, measurements, adjustments, illustrations, and other items can change at any time. These changes can affect the service that is given to the product. Obtain the complete and most current information before you start any job. Perkins dealers or Perkins distributors have the most current information available.



When replacement parts are required for this product Perkins recommends using Perkins replacement parts.

Failure to heed this warning can lead to premature failures, product damage, personal injury or death.

Table of Contents

Specifications Section

| | |
|---|----|
| Engine Design | 4 |
| Fuel Injection Lines..... | 4 |
| Fuel Injection Pump..... | 5 |
| Fuel Injectors..... | 6 |
| Fuel Transfer Pump..... | 6 |
| Fuel Filter Base (Single Secondary Fuel Filter Base) | 7 |
| Fuel Filter Base (Twin Secondary Fuel Filter Base) | 7 |
| Fuel Filter Base (Primary Fuel Filter Base).... | 8 |
| Fuel Manifold (Rail)..... | 8 |
| Lifter Group..... | 9 |
| Rocker Shaft..... | 9 |
| Valve Mechanism Cover..... | 11 |
| Cylinder Head Valves | 11 |
| Cylinder Head..... | 12 |
| Turbocharger (Single Turbocharger)..... | 14 |
| Turbocharger (Series Turbochargers)..... | 16 |
| Exhaust Gas Valve (NRS) | 18 |
| Injector (Diesel Exhaust Fluid)..... | 19 |
| Manifold (Diesel Exhaust Fluid)..... | 19 |
| Diesel Exhaust Fluid Tank | 20 |
| Diesel Exhaust Fluid Pump | 20 |
| Solenoid Valve (DEF Heater Coolant)..... | 21 |
| Exhaust Cooler (NRS)..... | 21 |
| Exhaust Manifold..... | 24 |
| Flexible Exhaust Pipe | 25 |
| Camshaft..... | 25 |
| Camshaft Bearings..... | 26 |
| Engine Oil Filter Base | 27 |
| Engine Oil Cooler..... | 27 |
| Engine Oil Pump..... | 28 |
| Engine Oil Pressure..... | 28 |
| Engine Oil Pan..... | 29 |
| Crankcase Breather..... | 30 |
| Water Temperature Regulator and Housing .. | 30 |
| Water Pump..... | 31 |
| Cylinder Block..... | 31 |
| Crankshaft | 32 |
| Crankshaft Seals | 33 |
| Connecting Rod Bearing Journal..... | 34 |
| Main Bearing Journal..... | 34 |
| Connecting Rod..... | 35 |
| Piston and Rings | 36 |
| Piston Cooling Jet..... | 37 |
| Balancer | 38 |

| | |
|---|----|
| Accessory Drive (SAE "B")..... | 38 |
| Accessory Drive..... | 39 |
| Front Housing and Covers..... | 39 |
| Gear Group (Front)..... | 40 |
| Flywheel | 41 |
| Flywheel Housing | 41 |
| Crankshaft Pulley | 42 |
| Belt Tensioner..... | 42 |
| Refrigerant Compressor | 42 |
| Fan Drive | 43 |
| Engine Lifting Bracket..... | 43 |
| Alternator | 43 |
| Starter Motor..... | 44 |
| Nitrogen Oxide Sensor | 45 |
| Coolant Temperature Sensor..... | 45 |
| Engine Oil Pressure Sensor | 46 |
| Boost Pressure Sensor..... | 46 |
| Ammonia Sensor (If equipped)..... | 46 |
| Atmospheric Pressure Sensor..... | 47 |
| Inlet Manifold Temperature Sensor..... | 47 |
| Temperature Sensor (DPF Inlet)..... | 48 |
| Temperature Sensor (DOC Inlet)..... | 48 |
| Temperature Sensor (Exhaust) (Selective Catalytic Reduction (SCR) Temperature Sensor) | 48 |
| Pressure Sensor (NOx Reduction System) (Differential Pressure Sensor) | 49 |
| Pressure Sensor (NOx Reduction System) .. | 49 |
| Temperature Sensor (NOx Reduction System) | 49 |
| Soot Antenna..... | 50 |
| Speed/Timing Sensor | 50 |
| Electronic Control Module | 51 |
| Glow Plugs | 51 |
| Air Compressor (Twin Cylinder Compressor) | 52 |
| Air Compressor (Single Cylinder)..... | 53 |

Index Section

| | |
|------------|----|
| Index..... | 55 |
|------------|----|

Specifications Section

i05937832

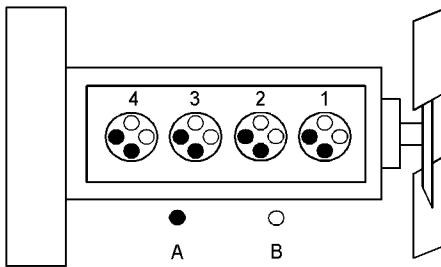
Engine Design

When the camshaft is viewed from the front of the engine, the camshaft rotates in the following direction:
.....Clockwise

The front of the engine is opposite the flywheel end. The left side and the right side of the engine are viewed from the flywheel end. The No. 1 cylinder is the front cylinder.

i05847993

Fuel Injection Lines



! WARNING

Contact with high pressure fuel may cause fluid penetration and burn hazards. High pressure fuel spray may cause a fire hazard. Failure to follow these inspection, maintenance and service instructions may cause personal injury or death.

Refer to Operation and Maintenance Manual, "General Hazard Information and High Pressure Fuel Lines" before adjustments and repairs are performed.

NOTICE

Refer to Systems Operation, Testing, and Adjusting, "Cleanliness of Fuel System Components" for detailed information on the standards of cleanliness that must be observed during ALL work on the fuel system.

Ensure that all adjustments and repairs are performed by authorized personnel that have had the correct training.

Illustration 1

g01335181

Cylinder and valve location

- (A) Exhaust valve
- (B) Inlet valve

Bore 105 mm (4.133 inch)

Stroke 127 mm (5.000 inch)

Displacement.....4.4 L (269 in³)

Cylinder arrangementIn-line

Type of combustionDirect injection

Compression ratio

Turbocharged engines and turbocharged charge cooled engines 16.5:1

Number of cylinders 4

Valves per cylinder 4

Firing order1, 3, 4, 2

When the crankshaft is viewed from the front of the engine, the crankshaft rotates in the following direction:Clockwise

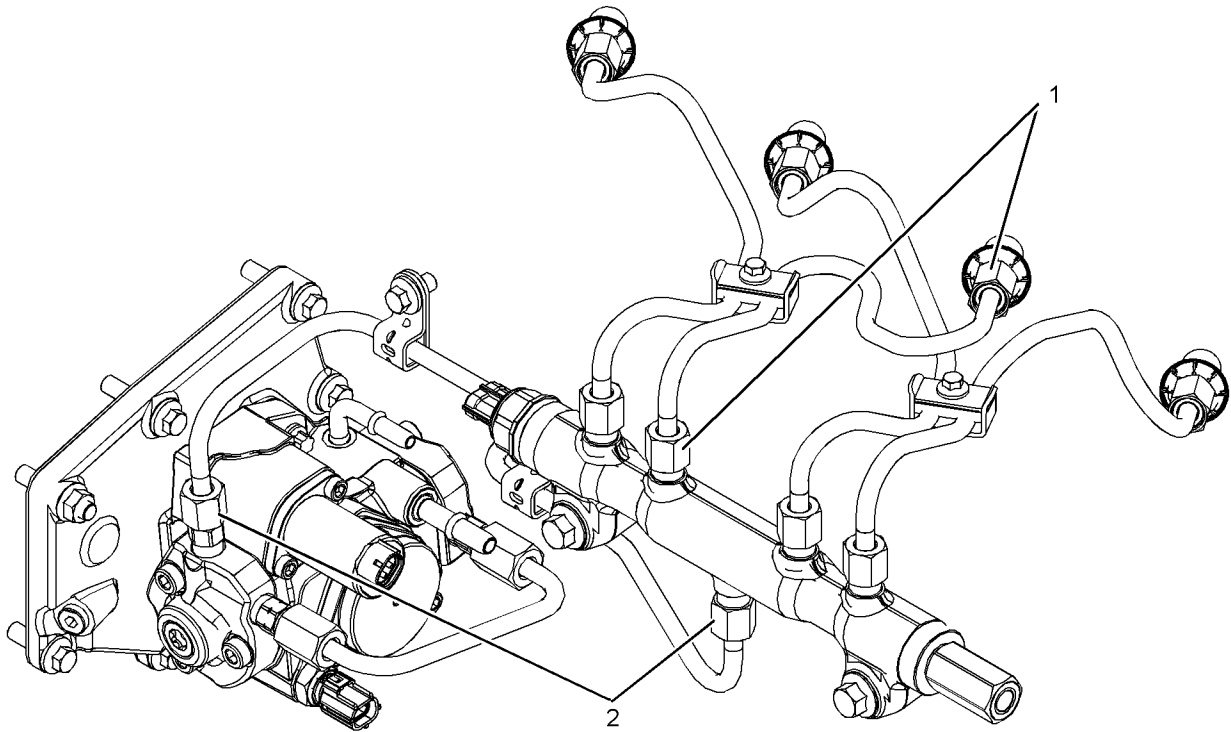


Illustration 2
Typical example

g02334261

(1) (2) Torque for the nuts on the high-pressure fuel lines.....55 N·m (41 lb ft)

i04138513

Fuel Injection Pump

Note: The timing of the fuel injection pump will need to be checked by trained personnel. In order to check the timing of the fuel injection pump, refer to Systems Operation, Testing, and Adjusting, "Fuel Injection Pump Timing - Check".

NOTICE

Refer to Systems Operation, Testing, and Adjusting, "Cleanliness of Fuel System Components" for detailed information on the standards of cleanliness that must be observed during ALL work on the fuel system.

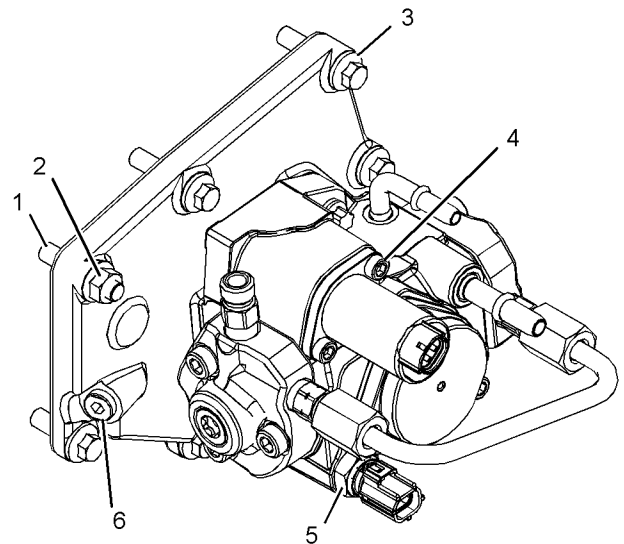


Illustration 3
Typical example

g02335956

(1) Tighten the studs to the following torque..... 11 N·m (97 lb in)

(2) Tighten the mounting nut to the following torque.
.....22 N·m (16 lb ft)

- (3) Tighten the setscrews to the following torque.
.....22 N·m (16 lb ft)
- (4) Tighten the screws for the suction control valve to the following torque.....9 N·m (80 lb in)
- (5) Tighten the fuel temperature sensor to the following torque.....22 N·m (16 lb ft)
- (6) Tighten the screw to the following torque.
.....14 N·m (10 lb ft)

i03631793

Fuel Injectors

NOTICE

Refer to Systems Operation, Testing and Adjusting, "Cleanliness of Fuel System Components" for detailed information on the standards of cleanliness that must be observed during ALL work on the fuel system.

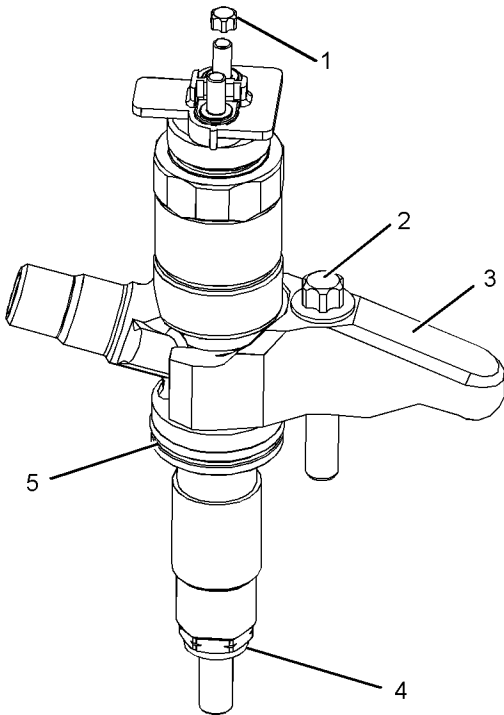


Illustration 4

g01862457

Typical example

- (3) Clamp
- (4) Washer
- (5) O ring seal

- (1) Torque for the nuts.....2 N·m (18 lb in)

- (2) Torque for the bolt in the clamp for the fuel injection nozzle21 N·m (15.5 lb ft)

i05847994

Fuel Transfer Pump

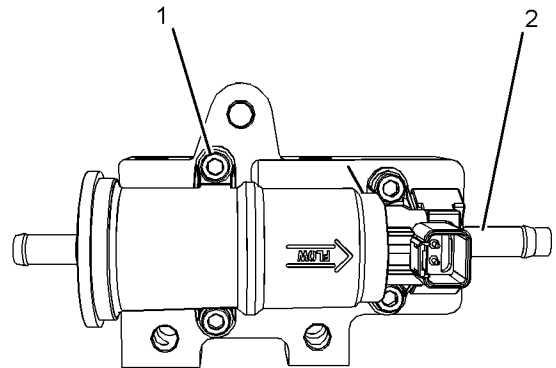


Illustration 5

g02337197

Typical example

- (1) Tighten the allen head screws to the following torque.....9 N·m (80 lb in)
- (2) Tighten the connection to the following torque.
.....21.5 N·m (16 lb ft)

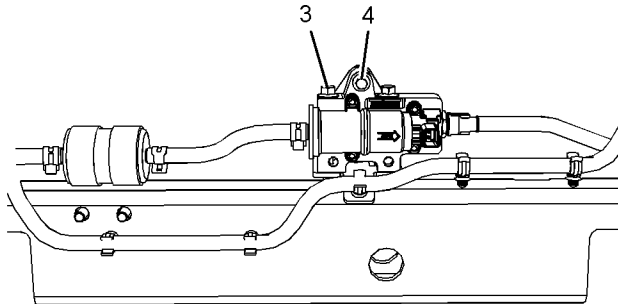


Illustration 6 g02337198
Typical example

(3) (4) Tighten the bolts to the following torque.
.....22 N·m (16 lb ft)

i04325509

Fuel Filter Base (Single Secondary Fuel Filter Base)

NOTICE

Refer to **Systems Operation, Testing and Adjusting, "Cleanliness of Fuel System Components"** for detailed information on the standards of cleanliness that must be observed during ALL work on the fuel system.

If necessary, install a new fuel filter (2) to canister (1). Refer to Operation and Maintenance Manual, "Fuel System Secondary Filter - Replace" for the correct procedure.

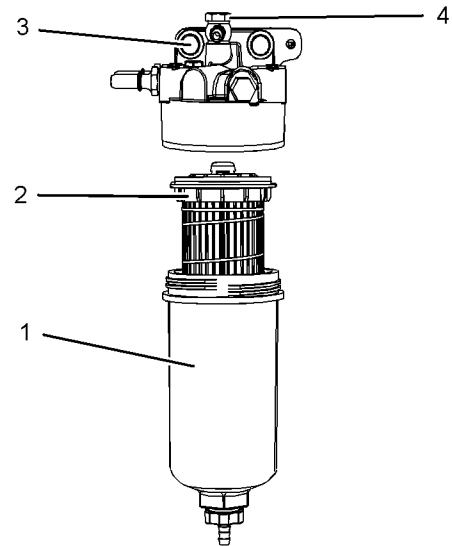


Illustration 7 g02484376
Typical example

(3) Tighten the bolts to the following torque.....44 N·m
(33 lb ft)

(4) Tighten the bolt to the following torque.17 N·m
(13 lb ft)

i04330369

Fuel Filter Base (Twin Secondary Fuel Filter Base)

NOTICE

Refer to **Systems Operation, Testing and Adjusting, "Cleanliness of Fuel System Components"** for detailed information on the standards of cleanliness that must be observed during ALL work on the fuel system.

If necessary, install a new fuel filter (2) to canister (1). Refer to Operation and Maintenance Manual, "Fuel System Secondary Filter - Replace" for the correct procedure.

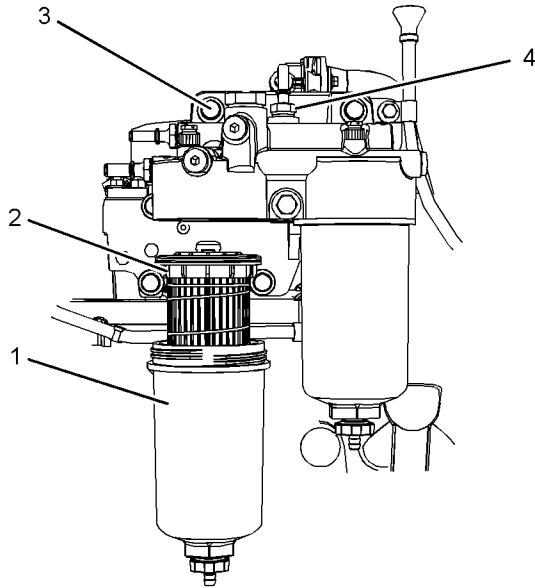


Illustration 8 g02485877

Typical example

- (3) Tighten the bolts to the following torque.....44 N·m (33 lb ft)
- (4) Tighten the bolt to the following torque.20 N·m (15 lb ft)

i04916708

Fuel Filter Base (Primary Fuel Filter Base)

NOTICE

Refer to **Systems Operation, Testing and Adjusting, "Cleanliness of Fuel System Components"** for detailed information on the standards of cleanliness that must be observed during ALL work on the fuel system.

If necessary, install a new fuel filter element to canister (2). Refer to Operation and Maintenance Manual, "Fuel System Primary Filter (Water Separator) Element - Replace" for the correct procedure.

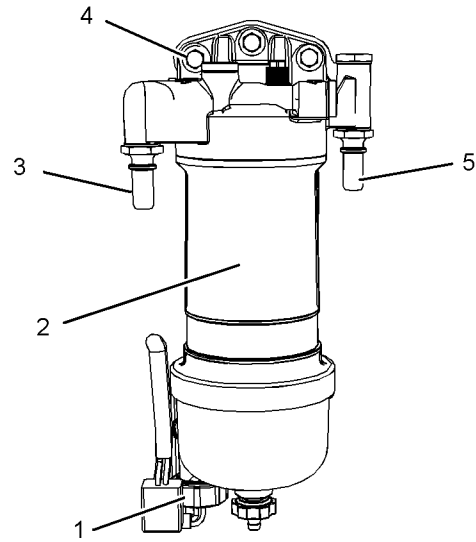


Illustration 9 g03084516

Typical example

- Tighten water in fuel switch (1) hand tight.
- (3) Tighten the connection to the following torque.
.....17 N·m (13 lb ft)
- (4) Tighten the bolts to the following torque.....44 N·m (32 lb ft)
- (5) Tighten the connection to the following torque.
.....17 N·m (13 lb ft)

i04139570

Fuel Manifold (Rail)

Refer to Operation and Maintenance Manual, "General Hazard Information and High Pressure Fuel Lines" before adjustments and repairs are performed.

NOTICE

Refer to **Systems Operation, Testing and Adjusting, "Cleanliness of Fuel System Components"** for detailed information on the standards of cleanliness that must be observed during ALL work on the fuel system.

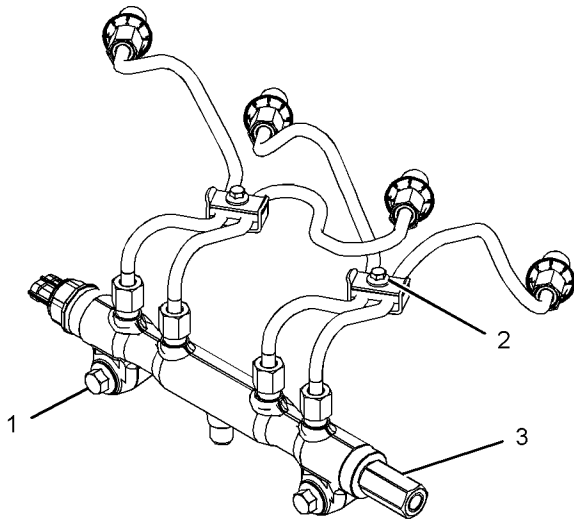


Illustration 10 g02337196

Typical example

- (1) Tighten the bolts to the following torque.....22 N·m (16 lb ft)
- (2) Tighten the bolts to the following torque.....10 N·m (89 lb in)
- (3) Tighten the fuel pressure relief valve to the following torque.....30 N·m (22 lb ft)

Note: The fuel pressure relief valve (3) should be tightened an additional 24 degrees.

i04381710

Lifter Group

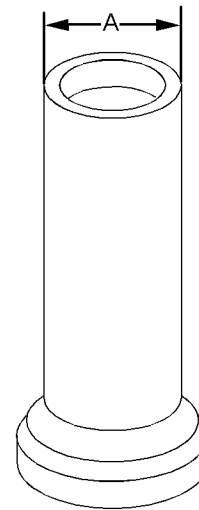


Illustration 11 g01344742

Typical example

(A) Diameter of the lifter body 21.938 to 21.963 mm (0.86370 to 0.86468 inch)

Bore diameter in the cylinder block22.000 to 22.032 mm (0.86614 to 0.86740 inch)

Clearance

Clearance of the lifter 0.038 to 0.095 mm (0.0015 to 0.0037 inch)

i03916469

Rocker Shaft

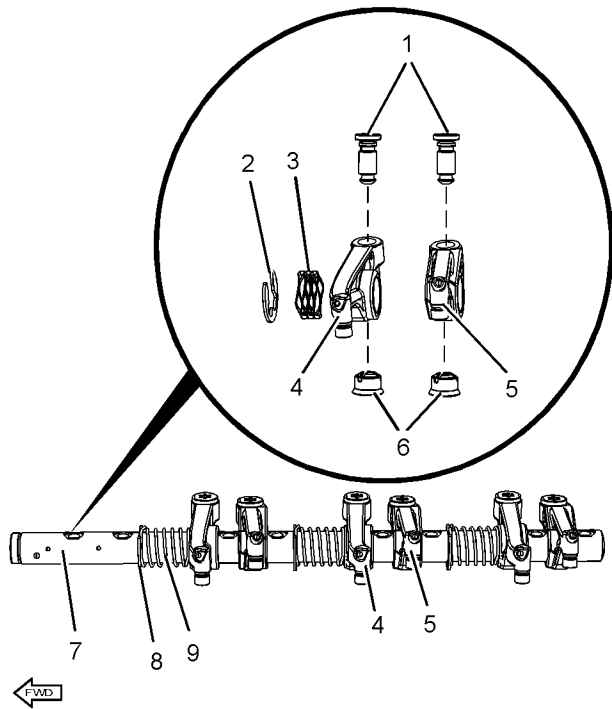


Illustration 12 g02150799

Typical example

(1) Tighten the threaded inserts to the following torque.....30 N·m (22 lb ft)

(2) Retaining clip

(3) Spring

(4) Inlet rocker arm

Diameter of the rocker arm bore
.....25.013 to 25.051 mm (0.9848 to 0.9863 inch)

(5) Exhaust rocker arm

Diameter of the rocker arm bore
.....25.013 to 25.051 mm (0.9848 to 0.9863 inch)

Clearance

Maximum clearance of both the rocker arm bores.0.089 mm (0.0035 inch)

The service limit for both rocker arm bores
.....0.17 mm (0.0067 inch)

(6) Guide

(7) Rocker shaft

Diameter of the rocker shaft
.....24.962 to 24.987 mm
(0.98275 to 0.98374 inch)

(8) Retaining clip

(9) Spring

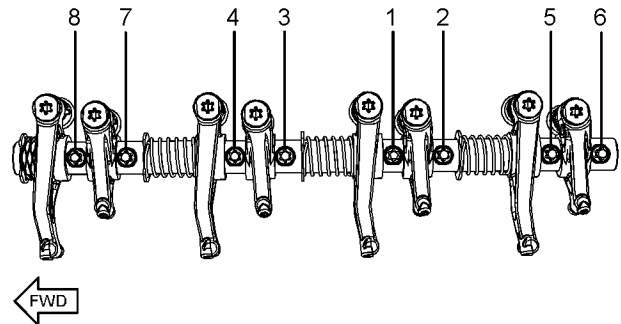


Illustration 13 g02150797

Tightening sequence

Tighten the fasteners in the sequence that is in illustration 13 . Tighten the fasteners to the following torque.....35 N·m (26 lb ft)

i04351269

Valve Mechanism Cover

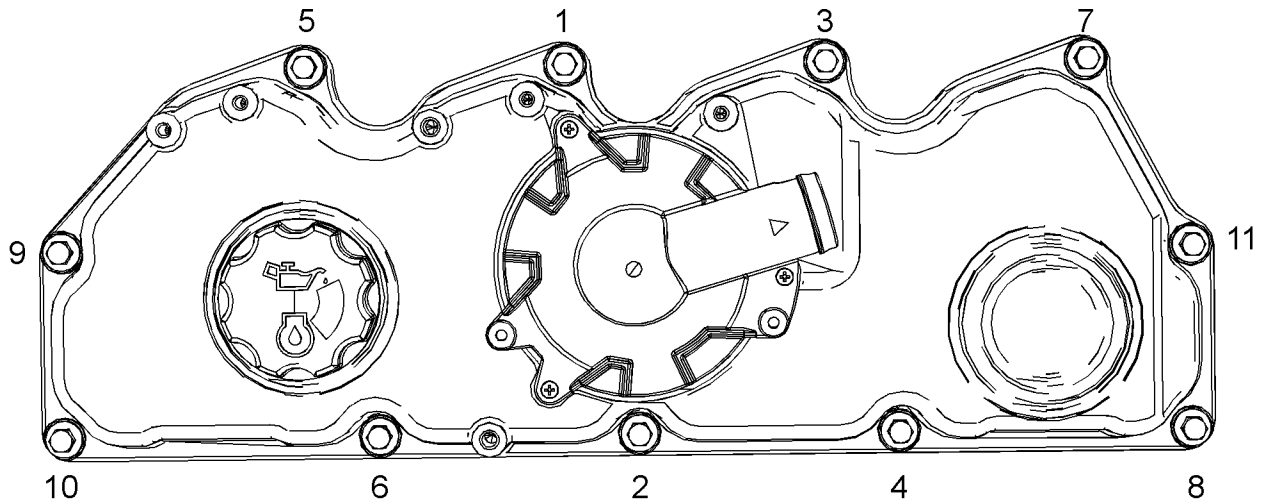


Illustration 14
Typical example

g02161123

Tighten the fasteners for the valve mechanism cover in the sequence that is shown in illustration 14 to the following torque.....22 N·m (16 lb ft)

i05800591

Cylinder Head Valves

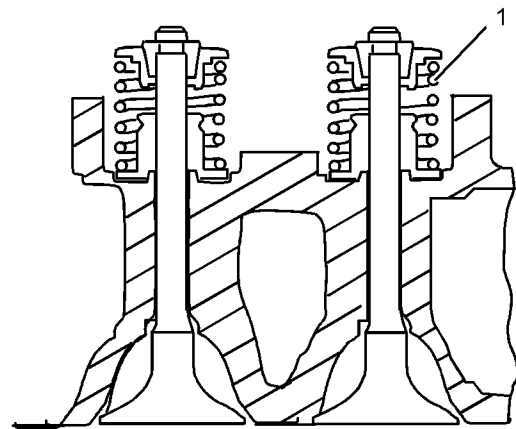


Illustration 15
Typical example

g01335203

When the valve springs (1) are replaced the valve springs must be replaced in pairs.

Specifications Section

Table 1

| The load for the inlet valve spring | The length of the inlet valve spring |
|-------------------------------------|--------------------------------------|
| 209 to 231 N (47 to 52 lb) | 31.5 mm (1.2402 inch) |
| 389.5 to 430.5 N (87.5 to 97 lb) | 22.2 mm (0.87401 inch) |

Table 2

| The load for the exhaust valve spring | The length of the exhaust valve spring |
|---|--|
| 285 to 315 N (64.07085 to 70.81515 lb) | 31.5 mm (1.2402 inch) |
| 408.5 to 451.5 N (91.83488 to 101.50172 lb) | 22.3 mm (0.87795 inch) |

Inlet valve 109.82 to 110.27 mm
 (4.32361 to 4.34133 inch)
 Exhaust valve..... 109.853 to 110.303 mm
 (4.32491 to 4.34263 inch)

(5) Valve head

Diameter of inlet valve head 35 mm
 (1.3780 inch)
 Diameter of exhaust valve head 33 mm
 (1.2992 inch)

i05800598

Cylinder Head

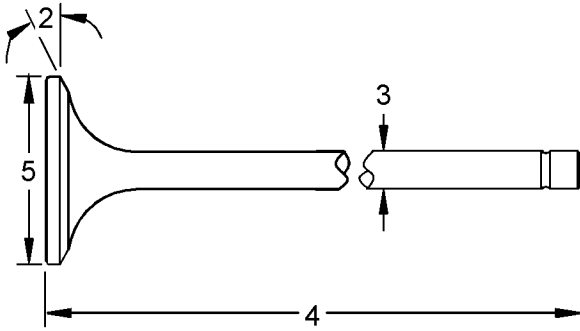


Illustration 16

g01335204

(2) Valve face angle

Inlet 30 degrees
 Exhaust 45 degrees

(3) Valve stem diameter

Inlet.... 6.970 to 6.985 mm (0.2744 to 0.2750 inch)
 Exhaust 6.945 to 6.960 mm
 (0.2734 to 0.2740 inch)

Clearance

Maximum clearance of the inlet valve stem
0.05 mm (0.0020 inch)
 The service limit for the inlet valve stem
0.08 mm (0.0031 inch)

Clearance

Maximum clearance of the exhaust valve stem
0.075 mm (0.00295 inch)
 The service limit for the exhaust valve stem
0.10 mm (0.00394 inch)

(4) Length of valve

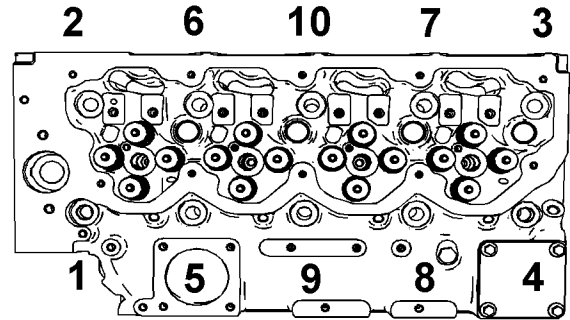


Illustration 17

g01250785

Typical example

Lubricate the threads and the underside of the head bolts with clean engine oil.

Tighten the bolts in the sequence that is shown in illustration 17 to the following torque.....50 N·m
 (37 lb ft)

Tighten the bolts again to the following torque.
100 N·m (74 lb ft)

Tighten the head bolts to the additional amount.
225 degrees

Minimum thickness of cylinder head 150.8 mm
 (5.93700 inch)

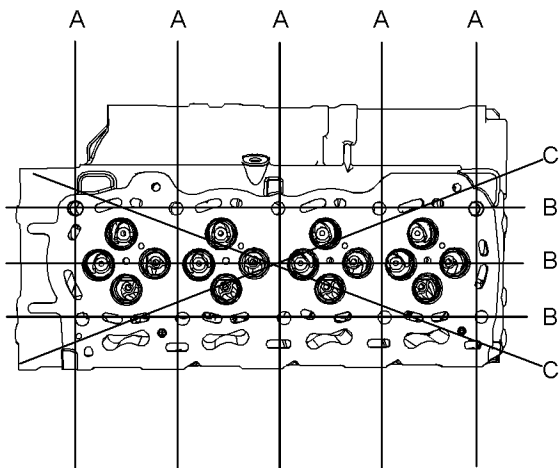


Illustration 18

g01455374

Note: The maximum distortion of the bottom face of the cylinder head is given in table 3 .

Table 3

| Dimension | Maximum Permissible Distortion |
|-------------------|--------------------------------|
| Width (A) | 0.08 mm (0.0032 inch) |
| Length (B) | 0.08 mm (0.0032 inch) |
| Diagonal Line (C) | 0.08 mm (0.0032 inch) |

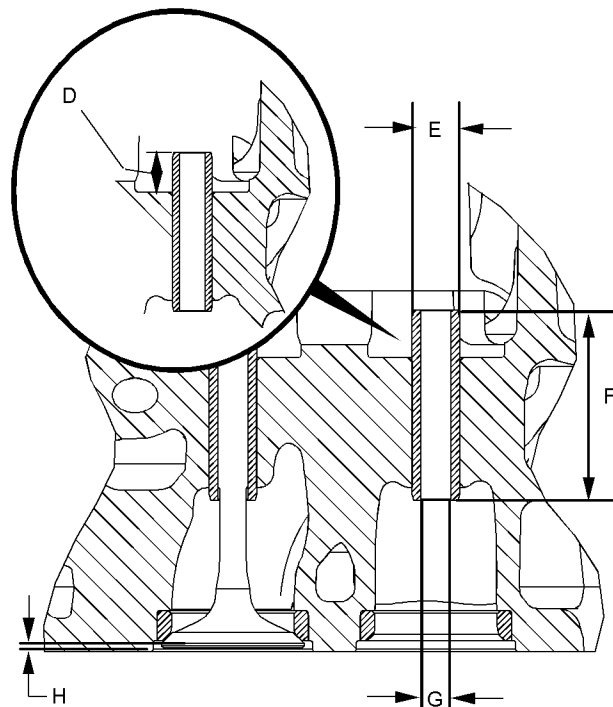


Illustration 19

g02328933

Typical example

(D) Valve guide height from the top of the valve guide to the valve spring seat.....10.85 to 11.15 mm (0.42716 to 0.43898 inch)

(E) Outside diameter of the valve guides 11.029 to 11.040 mm (0.43421 to 0.43464 inch)

(F) Length of the valve guides 43.75 to 44.25 mm (1.72244 to 1.74212 inch)

(G) Internal diameter of the valve guides7.007 to 7.020 mm (0.27587 to 0.27638 inch)

(H) Valve depths

Inlet.... 0.905 to 1.163 mm (0.0356 to 0.0458 inch)
The service limit for the depth of the inlet valve

..... 1.41 mm (0.0555 inch)

Exhaust0.876 to 1.131 mm (0.0345 to 0.0445 inch)

The service limit for the exhaust valve depth 1.38 mm (0.0543 inch)

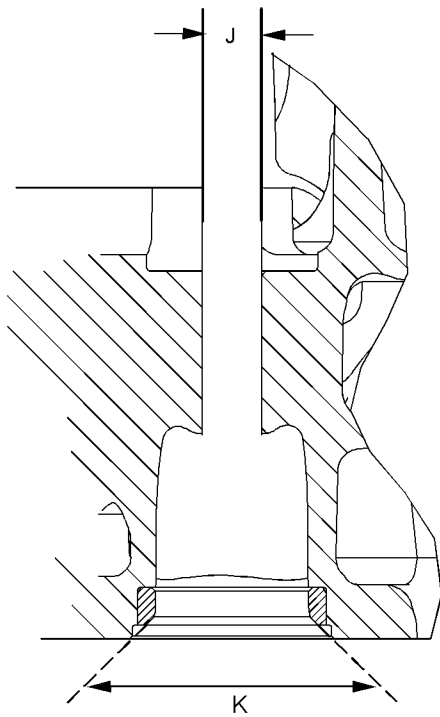


Illustration 20 g02474819

Typical example

(J) Diameter of the parent bore in the cylinder head
 11.000 to 11.022 mm (0.43307 to 0.43394 inch)

(K) Seat angle

Inlet 119.25 degrees
 Exhaust 89.25 degrees

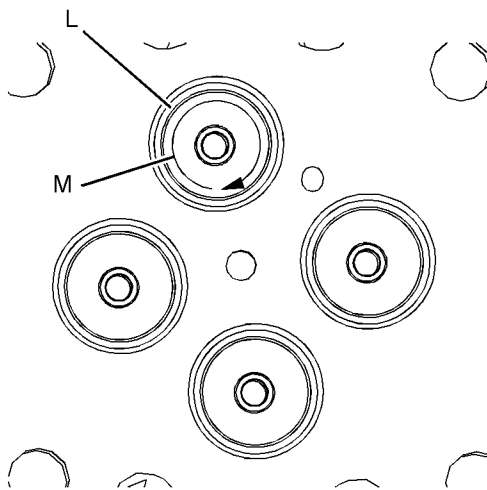


Illustration 21 g02475018

Typical example

(L) Seat surface finish Ra 0.8 microns

(M) Concentricity of valve seat to valve guide parent bore Maximum Total Indicated Reading (TIR)
0.08 mm (0.00315 inch)

i05847995

Turbocharger (Single Turbocharger)

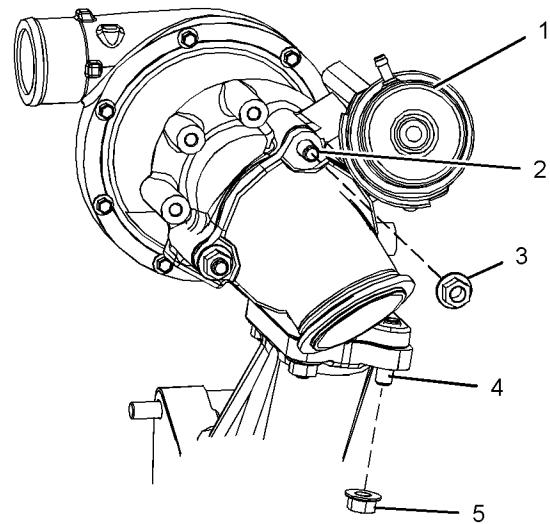


Illustration 22 g03696193

Typical example

(1) Actuator

The test pressure for the wastegate actuator
 100 kPa (14.5 psi)
 The movement for the rod actuator..... 1 mm
 (0.0394 inch)

(2) Tighten the studs to the following torque.
18 N·m (13 lb ft)

(3) Tighten the nuts to the following torque.44 N·m
 (32 lb ft)

(4) Tighten the studs to the following torque.
18 N·m (13 lb ft)

(5) Tighten the nuts to the following torque.44 N·m
 (32 lb ft)

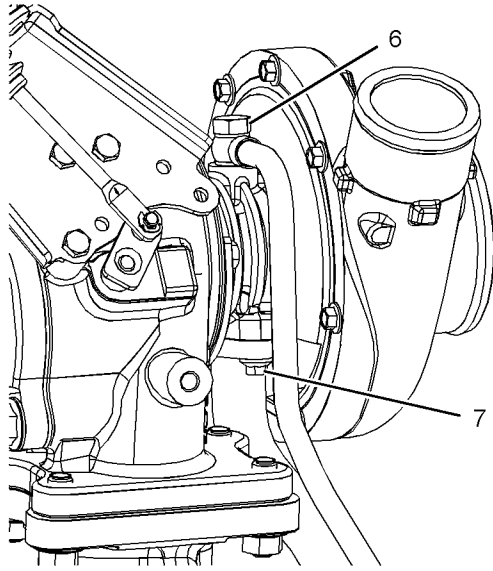


Illustration 23 g02469717
 Typical example

- (6) Tighten the bolt to the following torque.22 N·m
 (16 lb ft)
- (7) Tighten the bolt to the following torque.9 N·m
 (80 lb in)

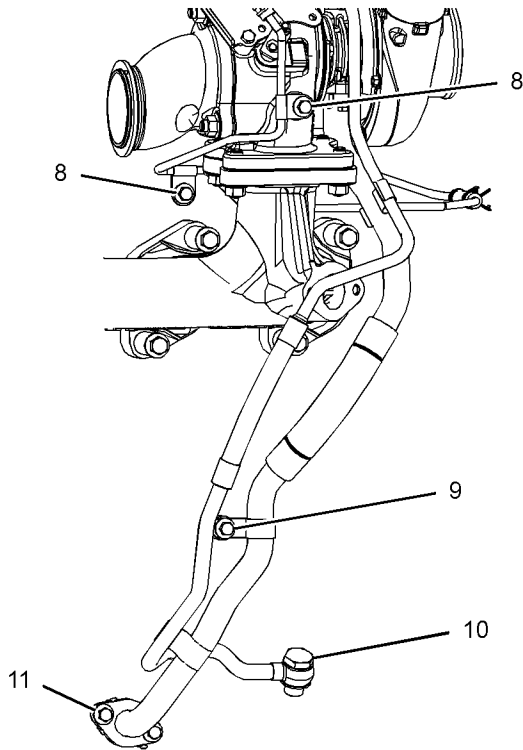


Illustration 24 g02469740
 Typical example

- (8) Tighten the bolt to the following torque.22 N·m
 (16 lb ft)

- (9) Tighten the bolts to the following torque.....18 N·m
 (13 lb ft)
- (10) Tighten the bolt to the following torque.40 N·m
 (30 lb ft)
- (11) Tighten the bolts to the following torque.
22 N·m (16 lb ft)

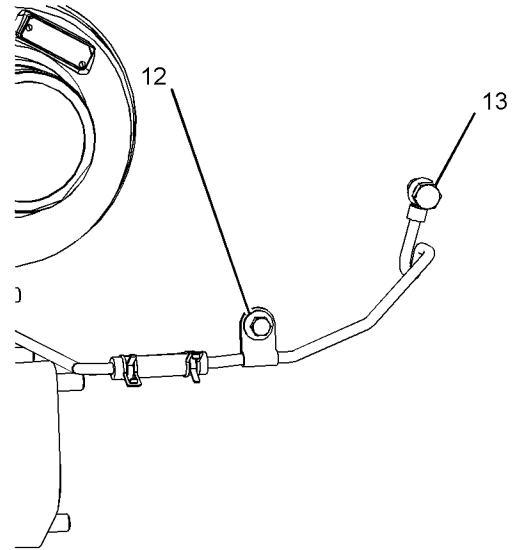


Illustration 25 g02469836
 Typical example

- (12) Tighten the bolt to the following torque.22 N·m
 (16 lb ft)
- (13) Tighten the bolt to the following torque.15 N·m
 (11 lb ft)

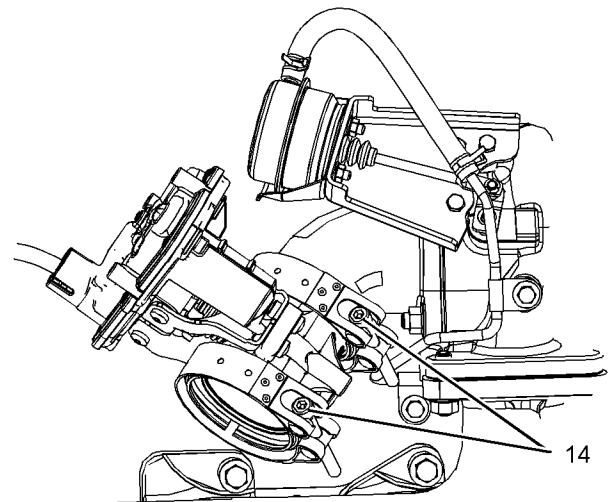


Illustration 26 g03696194
 Typical example

(14) Tighten the clamps to the following torque.
.....12 N·m (106 lb in)

i05848007

Turbocharger (Series Turbochargers)

Note: For the correct procedure to install the turbochargers, refer to Disassembly and Assembly, "Turbocharger - Install".

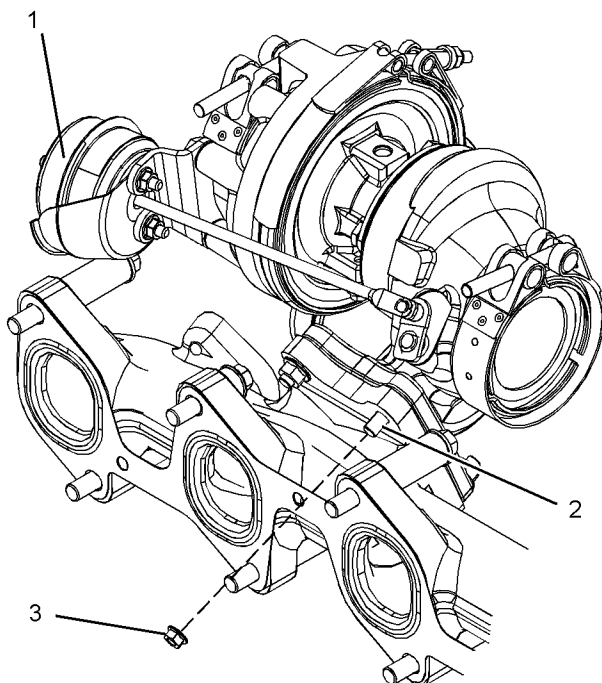


Illustration 27 g03696205

Typical example

(1) Actuator

The test pressure for the wastegate actuator
..... 100 kPa (14.5 psi)
The movement for the rod actuator..... 1 mm
(0.0394 inch)

(2) Tighten the studs to the following torque..... 11 N·m
(97 lb in)

(3) Tighten the nuts to the following torque.24 N·m
(18 lb ft)

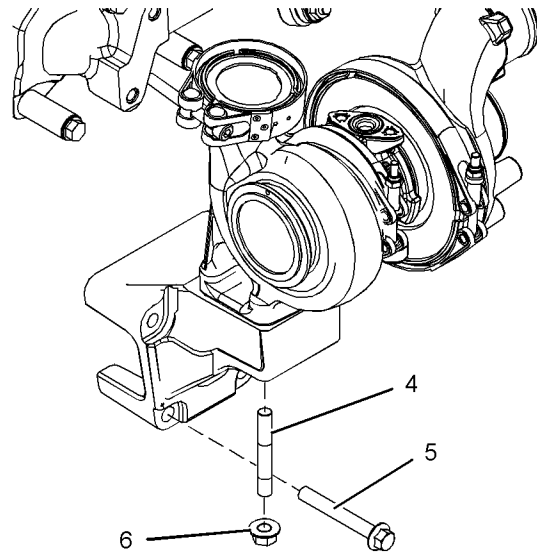


Illustration 28 g02467764

Typical example

(4) Tighten the studs to the following torque.
.....18 N·m (13 lb ft)

(5) Tighten the bolts to the following torque.....44 N·m
(32 lb ft)

(6) Tighten the nuts to the following torque.44 N·m
(32 lb ft)

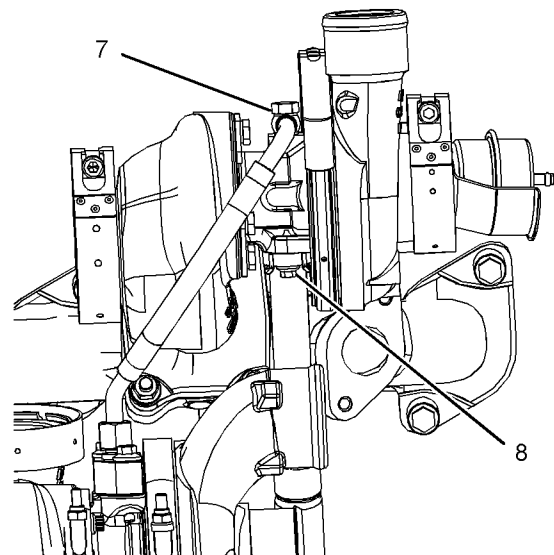


Illustration 29 g02467778

Typical example

(7) Tighten the bolt to the following torque.22 N·m
(16 lb ft)

(8) Tighten the bolts to the following torque.....9 N·m
(80 lb in)

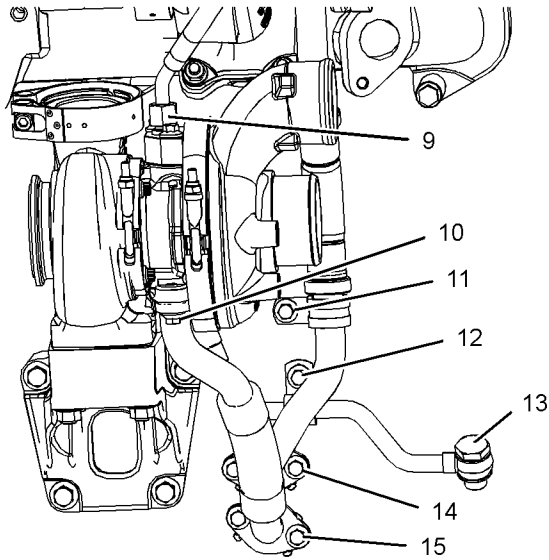


Illustration 30 g02467817

Typical example

(9) Tighten the nut to the following torque.30 N·m (22 lb ft)

(10) (14) (15) Tighten the bolts to the following torque.22 N·m (16 lb ft)

(11) (12) Tighten the bolt to the following torque.18 N·m (13 lb ft)

(13) Tighten the bolt to the following torque.40 N·m (29 lb ft)

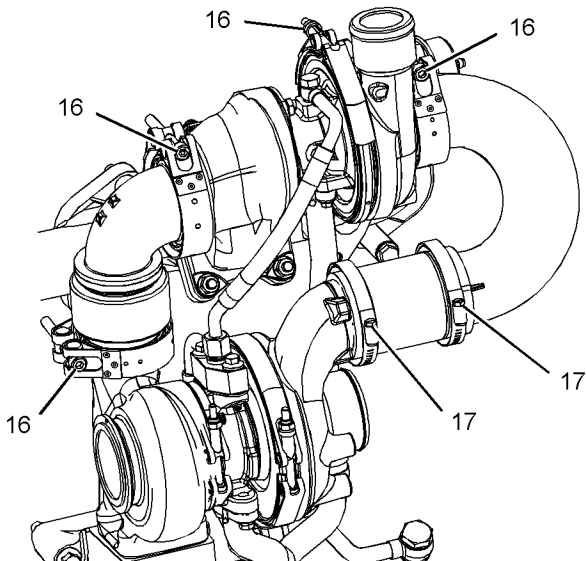


Illustration 31 g02469656

Typical example

(16) Tighten the clamps to the following torque.12 N·m (106 lb in)

(17) Tighten the clamps to the following torque.6 N·m (53 lb in)

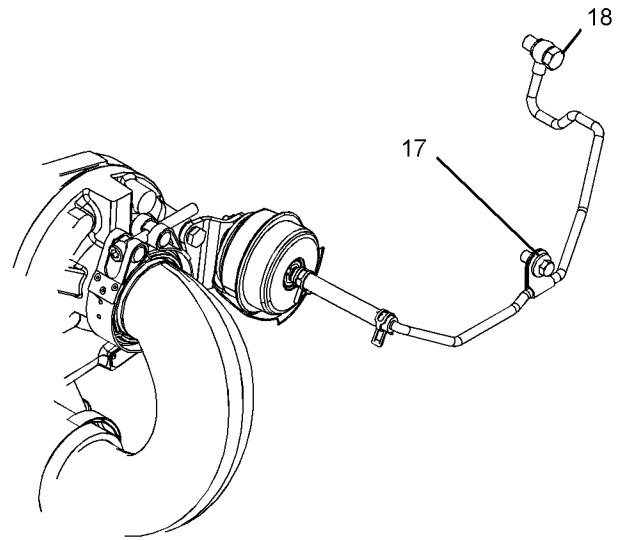


Illustration 32 g03696203

Typical example

(18) Tighten the bolts to the following torque.22 N·m (16 lb ft)

(19) Tighten the bolt to the following torque.15 N·m (11 lb ft)

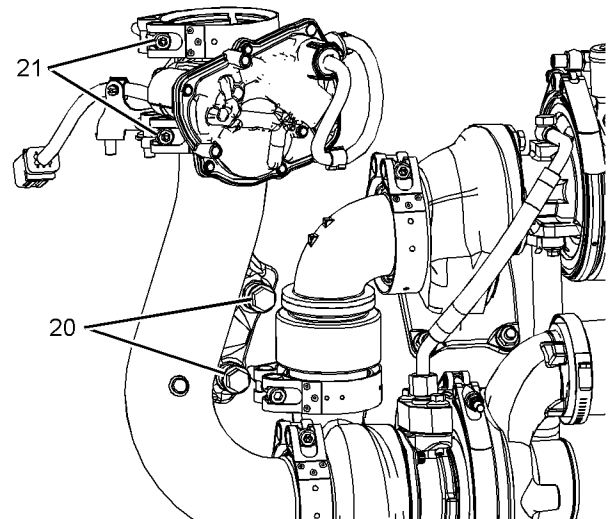


Illustration 33 g02469676

Typical example

(20) Tighten the bolts to the following torque.22 N·m (16 lb ft)

(21) Tighten the clamps to the following torque.12 N·m (106 lb in)

i04138516

Exhaust Gas Valve (NRS)

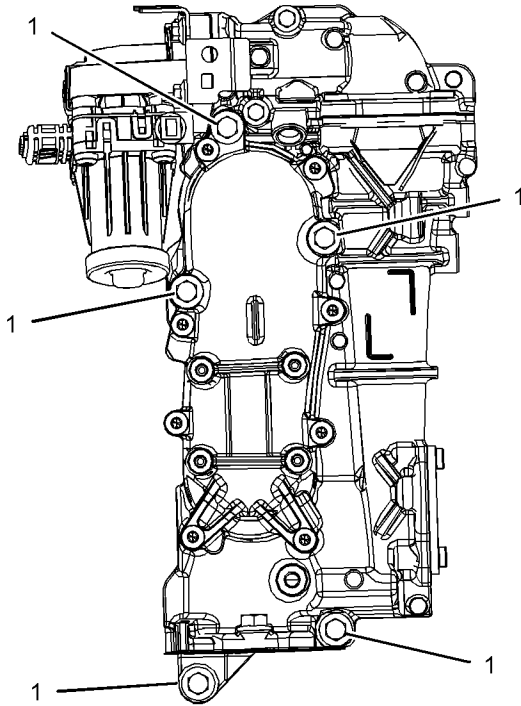


Illustration 34 g02337096

Typical example

- (1) Tighten the bolts to the following torque.....22 N·m (16 lb ft)

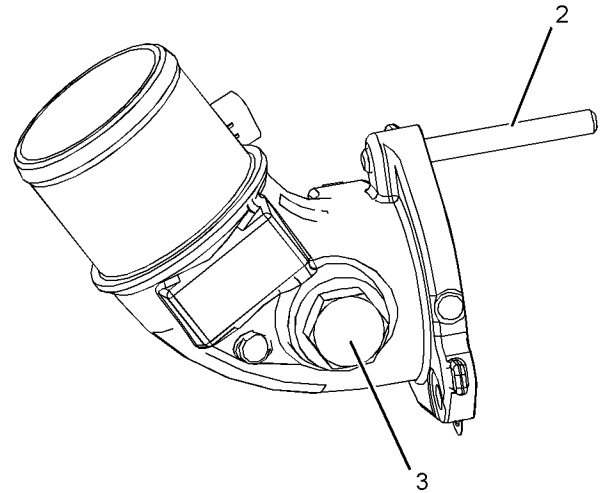


Illustration 35 g02337116

Typical example

- (2) Tighten the stud to the following torque. 11 N·m (97 lb in)
- (3) Tighten the plug to the following torque.35 N·m (26 lb ft)

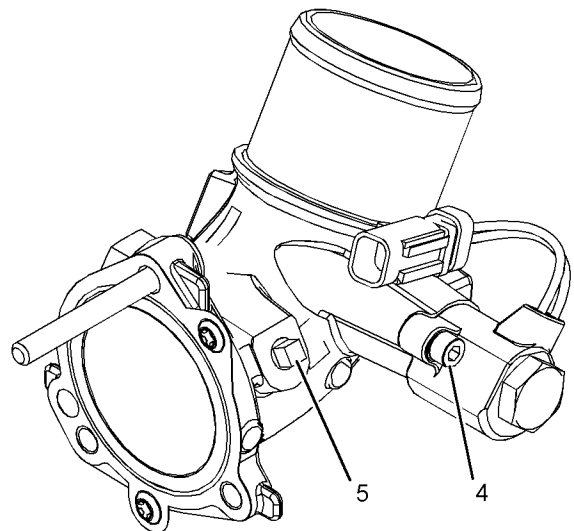


Illustration 36 g02337117

Typical example

- (4) Tighten the bolts to the following torque.....9 N·m (80 lb in)
- (5) Tighten the plug to the following torque.9.5 N·m (84 lb in)

i05882350

Injector (Diesel Exhaust Fluid)

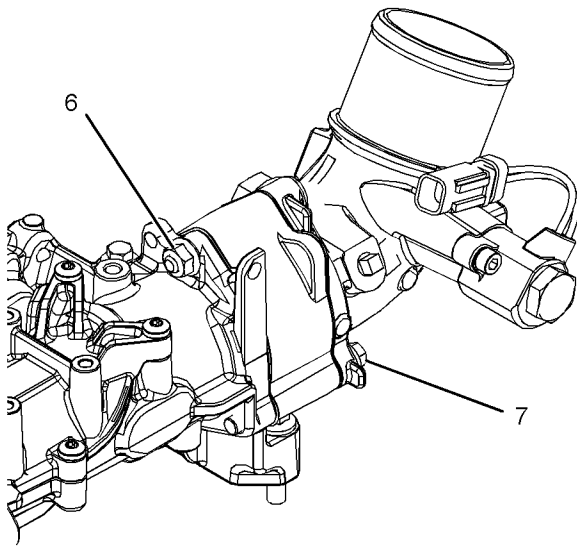


Illustration 37
Typical example

(6) Tighten the nut to the following torque.18 N·m
(13 lb ft)

(7) Tighten the bolts to the following torque.....18 N·m
(13 lb ft)

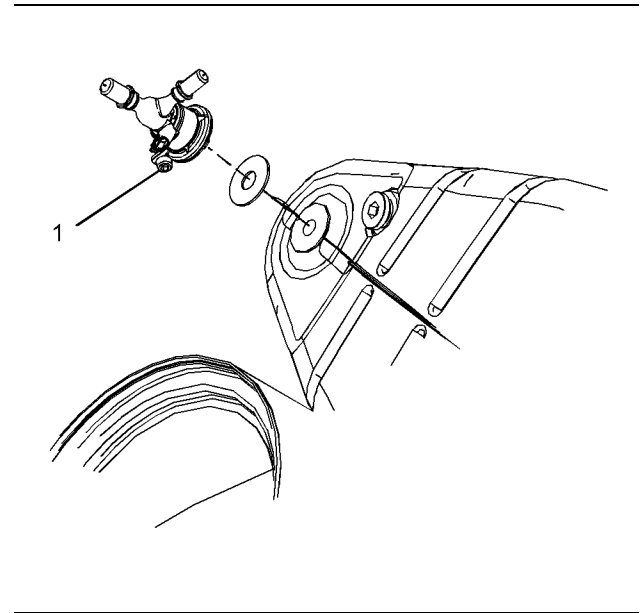


Illustration 39
Typical example

(1) Tighten the bolt for the clamp to the following torque.....4 N·m (35 lb in)

i05882355

Manifold (Diesel Exhaust Fluid)

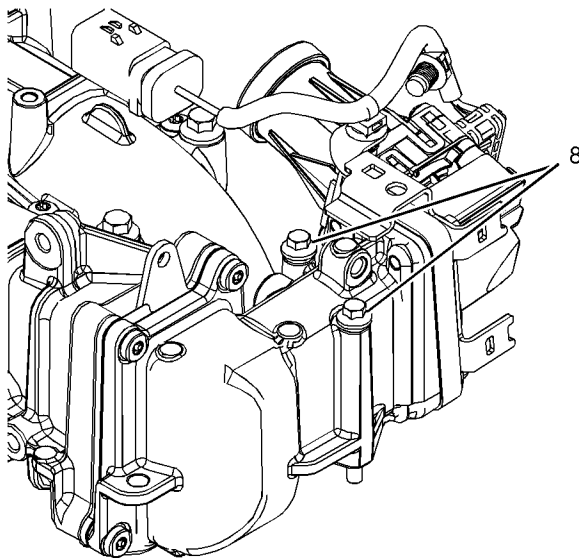


Illustration 38
Typical example

(8) Tighten the bolts to the following torque.....9 N·m
(80 lb in)

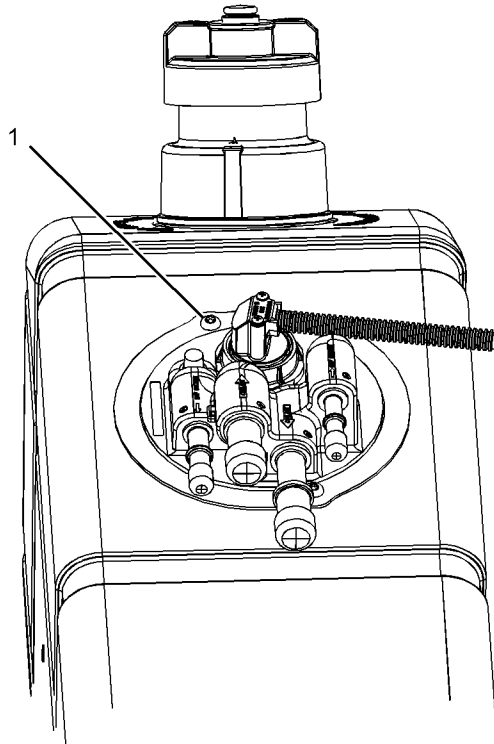


Illustration 40
Typical example

g03722372

(1) Tighten the screws to the following torque.
.....3 N·m (27 lb in)

i05882407

Diesel Exhaust Fluid Tank

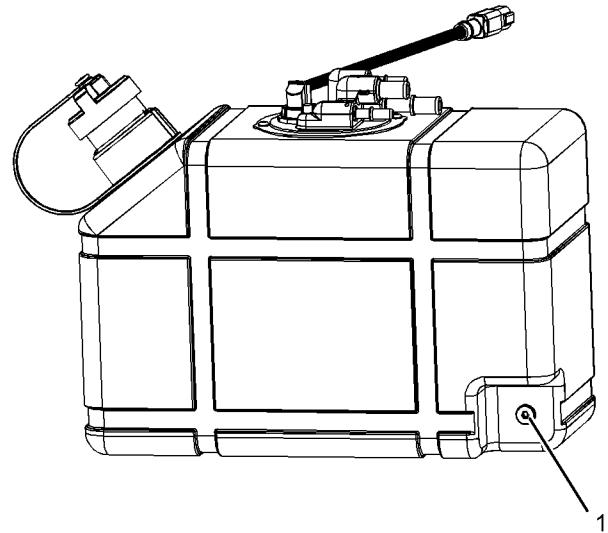


Illustration 41
Typical example

g03719679

(1) Tighten the plug to the following torque.6 N·m
(53 lb in)

Note: The Original Equipment Manufacturer (OEM) may supply the Diesel Exhaust Fluid (DEF) tank. Refer to the OEM for more information if the DEF tank has been supplied by the OEM.

i05882416

Diesel Exhaust Fluid Pump

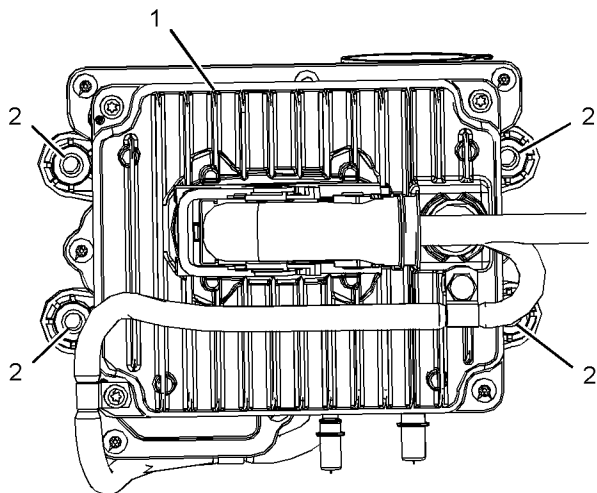


Illustration 42 g03722354

Typical example
(2) M8 mounting holes

Note: The diesel exhaust fluid pump (1) is mounted to the application.

Tighten the recommended M8 fasteners to the following torque.....16 N·m (142 lb in)

i05914961

Solenoid Valve (DEF Heater Coolant)

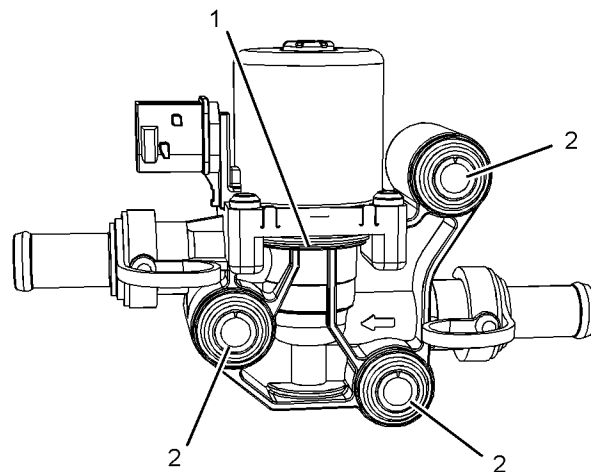


Illustration 43 g03722361

Typical example
(2) M8 mounting holes

Note: The coolant diverter valve (1) is mounted to the application. The coolant diverter valve must be mounted with three M8 bolts.

Tighten the recommended M8 fasteners to the following torque.....22 N·m (195 lb in)

i04138514

Exhaust Cooler (NRS)

Note: When the pipes for the exhaust cooler are removed or installed, care must be taken so that the pipes are not bent or the pipes are not damaged.

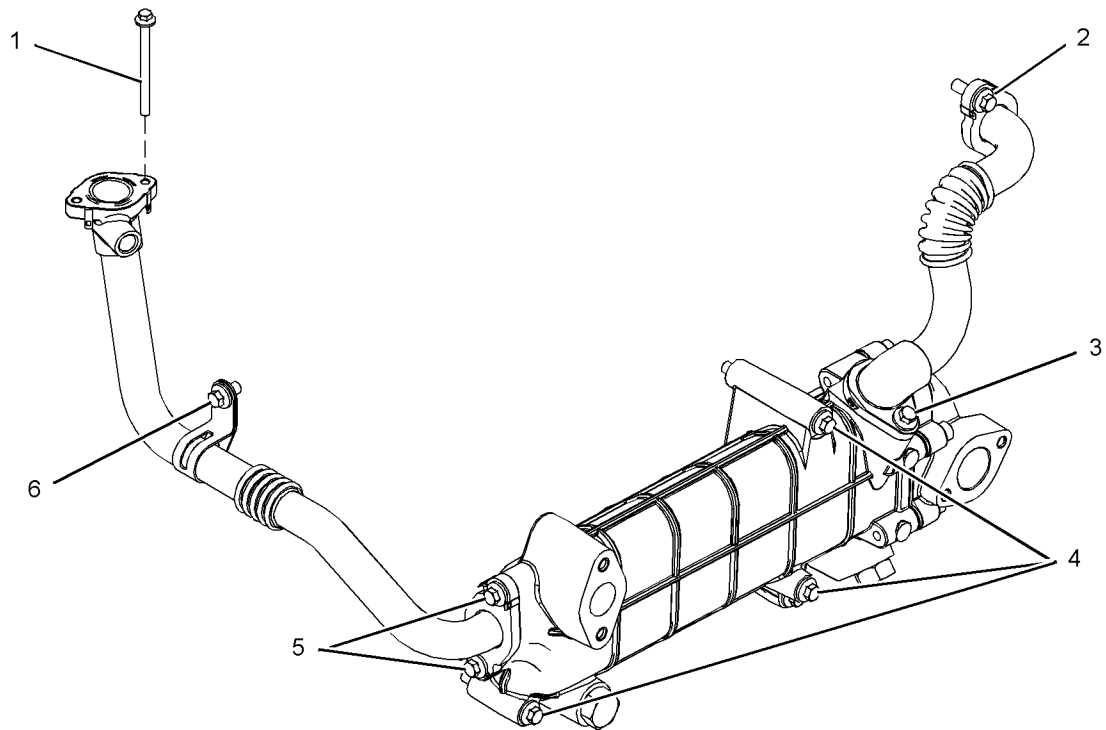


Illustration 44

g02337136

Typical example

- (1) Tighten the bolts to the following torque.....9 N·m
(80 lb in)
- (2) Tighten the bolts to the following torque.....22 N·m
(16 lb ft)
- (3) Tighten the bolts to the following torque.....22 N·m
(16 lb ft)
- (4) Tighten the bolts to the following torque.....22 N·m
(16 lb ft)
- (5) Tighten the bolts to the following torque.....22 N·m
(16 lb ft)
- (6) Tighten the bolt to the following torque.22 N·m
(16 lb ft)

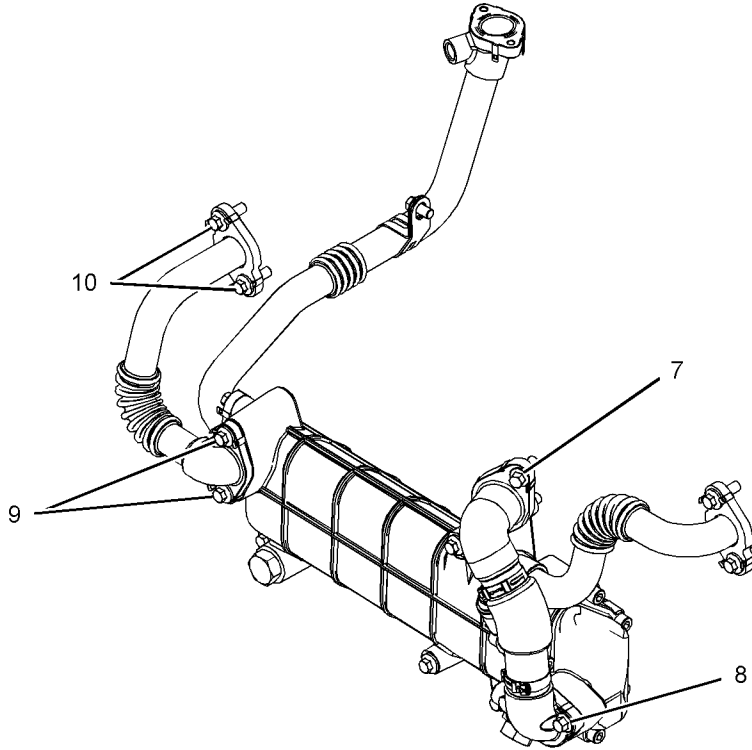


Illustration 45

g02337137

Typical example

(7) (8) Tighten the bolts to the following torque.
.....22 N·m (16 lb ft)

(9) Tighten the bolts to the following torque.....22 N·m
(16 lb ft)

(10) Tighten the bolts to the following torque.
.....22 N·m (16 lb ft)

i03914512

Exhaust Manifold

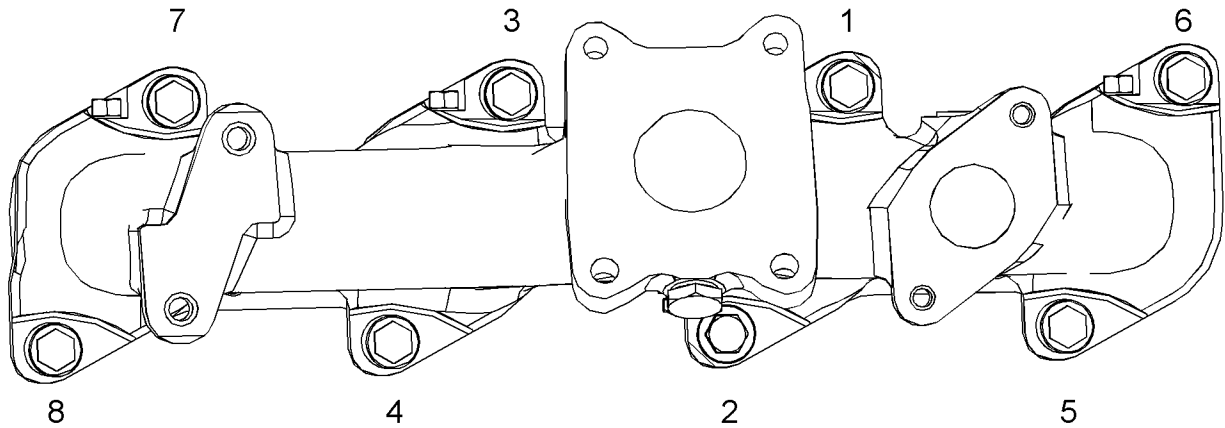


Illustration 46
Typical example

g02150456

Tighten the exhaust manifold bolts in the sequence that is shown in illustration 46 to the following torque.
.....44 N·m (32 lb ft)

i03936932

Flexible Exhaust Pipe

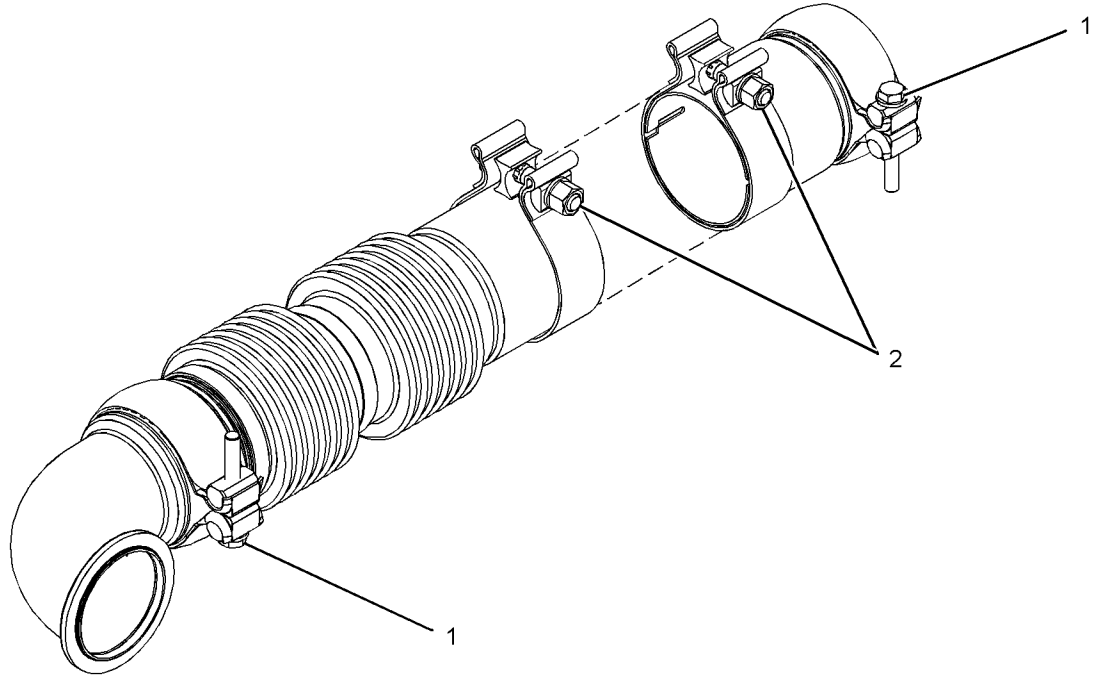


Illustration 47

g02155429

Typical example

(1) Tighten the clamp to the following torque.
35 N·m (26 lb ft)

(2) Tighten the clamp to the following torque.
55 N·m (41 lb ft)

Refer to Disassembly and Assembly for the correct procedure to install the flexible exhaust pipe.

i04156670

Camshaft

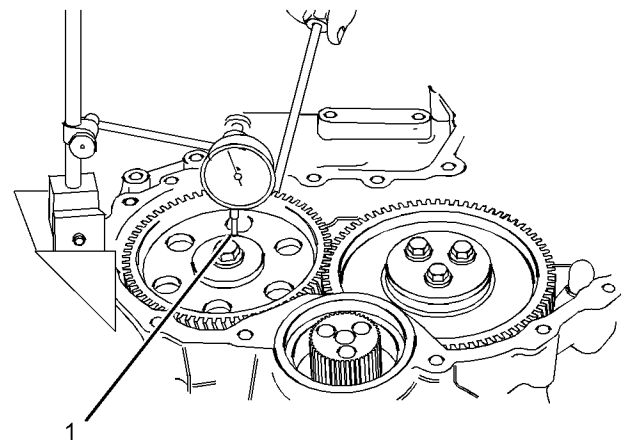


Illustration 48

g01927854

Checking the end play of the camshaft

Specifications Section

(1) End play of a camshaft..... 0.106 to 0.558 mm
(0.00417 to 0.02197 inch)

Maximum permissible end play of a worn camshaft
..... 0.62 mm (0.0244 inch)

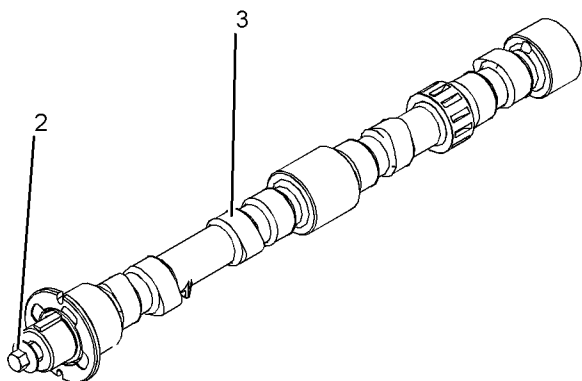


Illustration 49 g02150828
Typical example

(2) Bolt

Torque for the 8.8 graded bolt.....95 N·m (70 lb ft)
Torque for the 10.9 graded bolt.....120 N·m
(89 lb ft)

(3) The diameters of the camshaft journals are given in the following tables.

Table 4

| Camshaft Journals from the Front End of the Engine | Standard Diameter |
|--|--|
| 1 Front | 50.711 to 50.737 mm (1.9965 to 1.9975 inch) |
| 2 | 50.457 to 50.483 mm (1.9865 to 1.9875 inch) |
| 3 Rear | 49.949 to 49.975 mm (1.9665 to 1.9675 inch) |

Maximum wear on the camshaft journals..... 0.05 mm
(0.0021 inch)

Check the camshaft lobes for visible damage. If a new camshaft is installed, you must install new lifters.

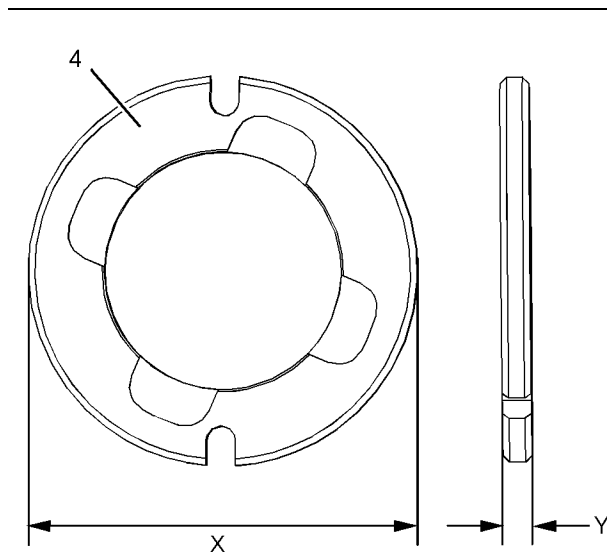


Illustration 50 g02474757
Typical example

(4) Camshaft thrust washer

Outer diameter (X) 72.949 to 73.000 mm
(2.872 to 2.874 inch)
Thickness (Y) 5.486 to 5.537 mm
(0.21598 to 0.21799 inch)

i03916857

Camshaft Bearings

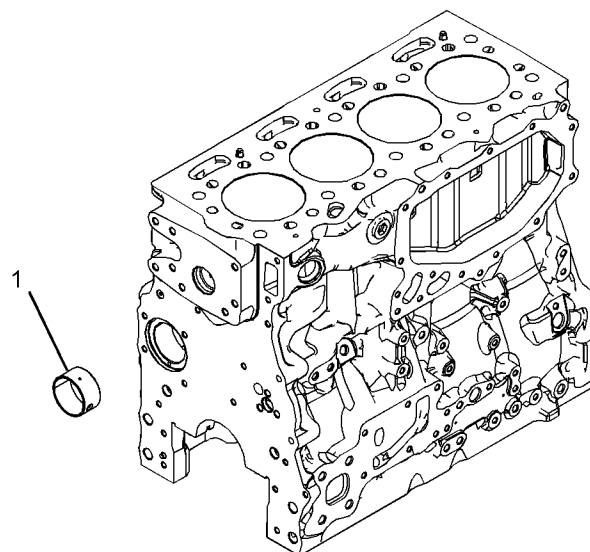


Illustration 51 g02150875
Typical example

(1) The diameter of the installed camshaft bearing
50.787 to 50.848 mm (1.9995 to 2.0019 inch)

i03914549

Engine Oil Filter Base

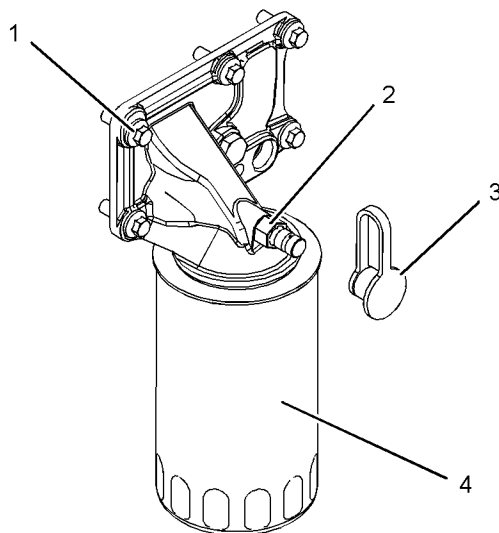


Illustration 52 g02150462

Typical example

(1) Setscrew

Torque for the setscrews22 N·m (16 lb ft)

(2) Dust cap

(3) Oil sampling valve

Torque for the Oil sampling valve12 N·m
 (106 lb in)

Torque for the plug (if equipped)12 N·m (106 lb in)

(4) Engine oil filter

Torque for the engine oil filter 12 N·m (106 lb in)

i04406752

Engine Oil Cooler

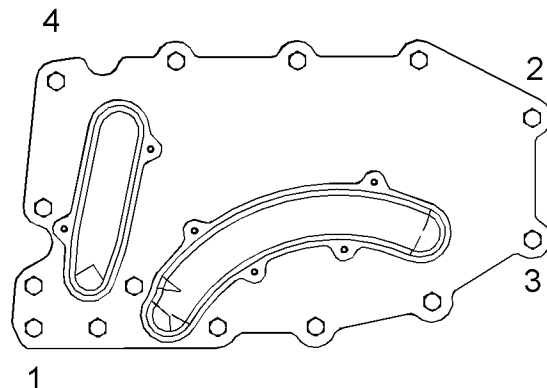


Illustration 53 g02600976

Typical example

Tighten the setscrews in the sequence that is in illustration 53 to the following torque.10 N·m
 (89 lb in)

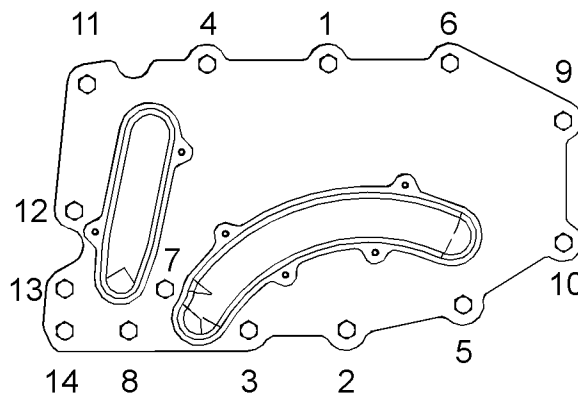


Illustration 54 g02600977

Typical example

Tighten the setscrews in the sequence that is in illustration 54 to the following torque.26 N·m
 (19 lb ft)

i04346632

Engine Oil Pump

Type Gear-driven differential rotor

Number of lobes

Inner rotor 6
Outer rotor 7

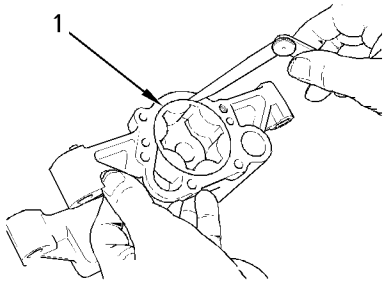


Illustration 55 g00938064

Typical example

(1) Clearance of the outer rotor to the body
..... 0.050 to 0.330 mm (0.0020 to 0.0130 inch)

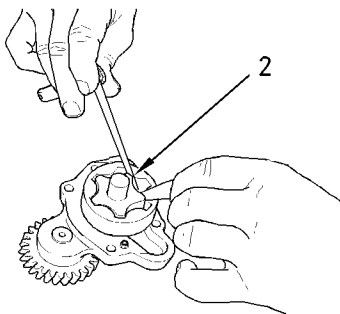


Illustration 56 g00938061

Checking the clearance

(2) Service limit of inner rotor to outer rotor
..... 0.080 to 0.250 mm (0.0031 to 0.0098 inch)

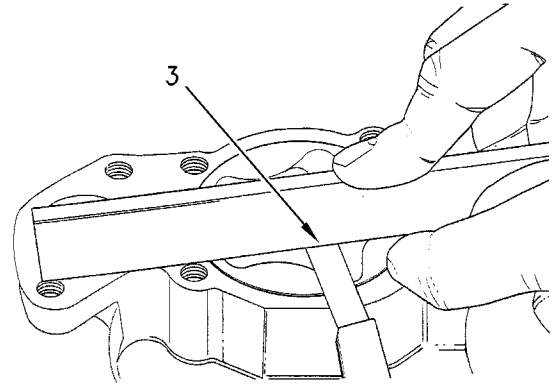


Illustration 57 g00938799

Checking the end play

(3) End play of rotor assembly

Inner rotor 0.050 to 0.180 mm
(0.0020 to 0.0071 inch)
Outer rotor 0.050 to 0.180 mm
(0.0020 to 0.0071 inch)

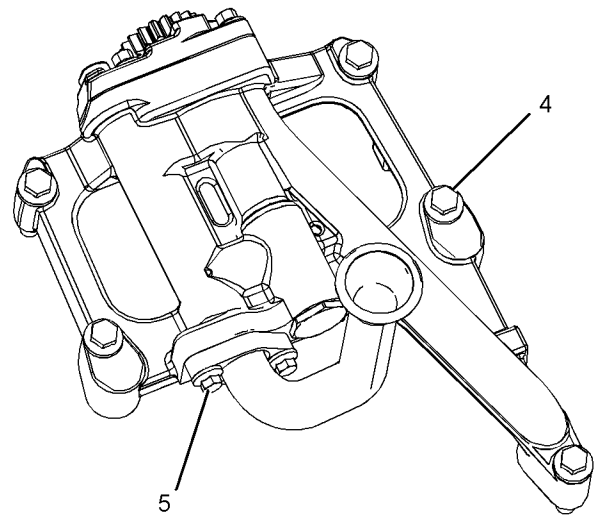


Illustration 58 g02501636

Typical example

(4) Tighten the bolts to the following torque..... 44 N·m
(32 lb ft)

(5) Tighten the bolts to the following torque..... 22 N·m
(16 lb ft)

i03994212

Engine Oil Pressure

The minimum oil pressure at a maximum engine speed of 2200 rpm and at normal operating temperature is the following value. 280 kPa (40 psi)

i04315734

Engine Oil Pan

Table 5

| Required Tools | | | |
|----------------|-------------|------------------|-----|
| Tool | Part Number | Part Description | Qty |
| A | - | Loctite 5900 | 1 |

Front sealant

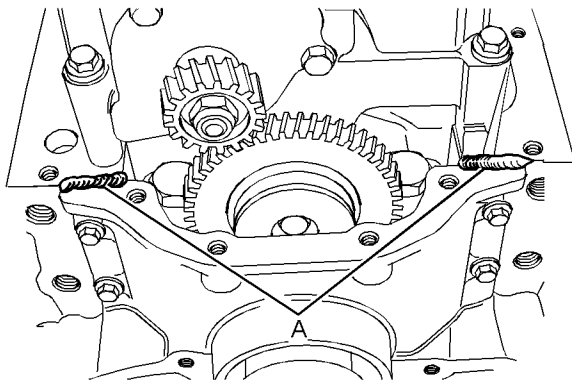


Illustration 59

g01254690

Applying sealant

Apply Tooling (A) to the cylinder block and to the timing case.

Note: Apply a sealant bead of 3.5 mm (0.1378 inch) that is shown in illustration 59 .

Rear sealant

Note: Install the rear oil seal before sealant is applied to the bridge.

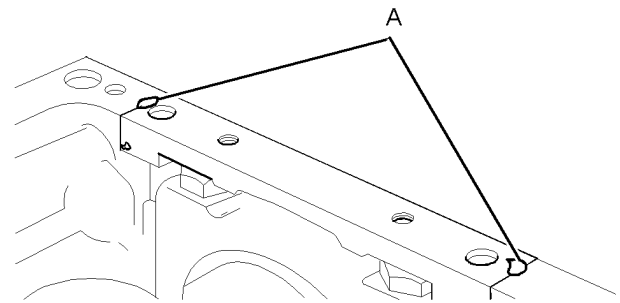


Illustration 60

g01254887

Applying sealant

Apply Tooling (A) to the bridge. The sealant must not protrude more than 5 mm (0.1969 inch) above the bridge.

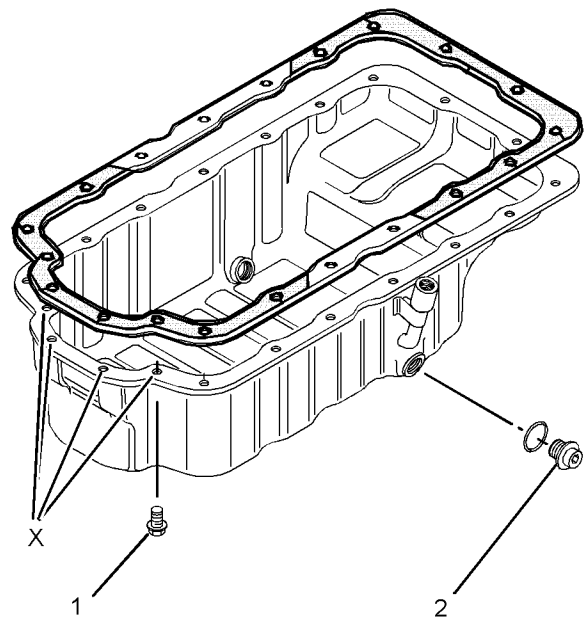


Illustration 61

g01255016

Typical example

(1) Tighten the four front bolts in position (X) to the following torque.....22 N·m (16 lb ft)

Tighten the remaining bolts to the following torque.
.....22 N·m (16 lb ft)

(2) Drain plug

Tighten the drain plug for the engine oil pan to the following torque.....34 N·m (25 lb ft)

i03969629

Crankcase Breather

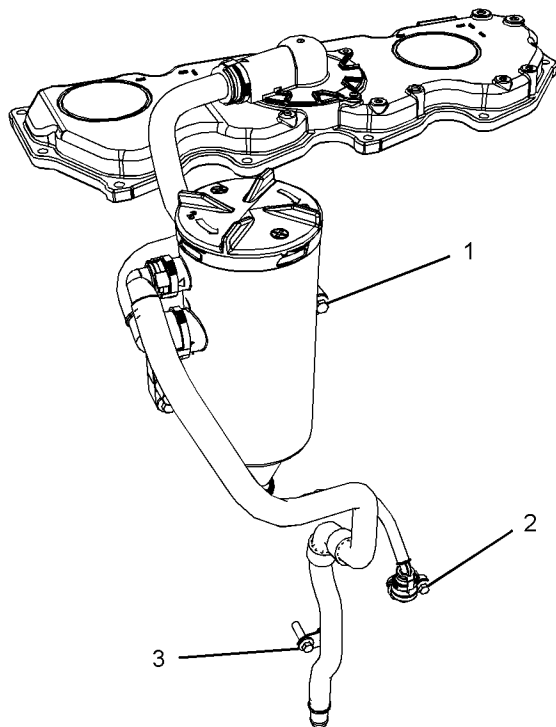


Illustration 62 g02162137

Typical example

(1) (2) (3) Tighten the setscrews to the following torque.....22 N·m (16 lb ft)

i03916250

Water Temperature Regulator and Housing

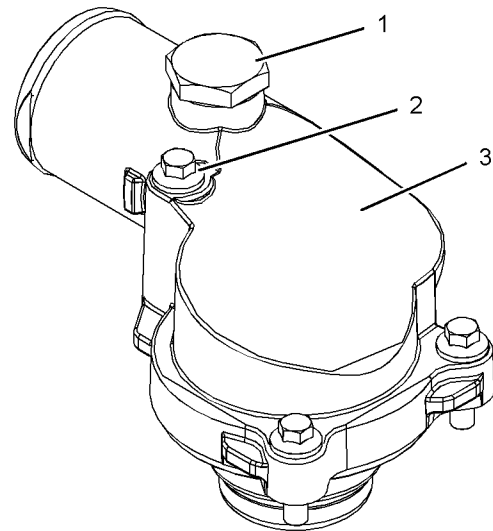


Illustration 63 g02150761

Typical example

(3) Water temperature regulator housing

(1) Torque for the vent plug..... 22 N·m (16.22 lb ft)

(2) Torque for the bolts that fasten the housing to the cylinder head22 N·m (16 lb ft)

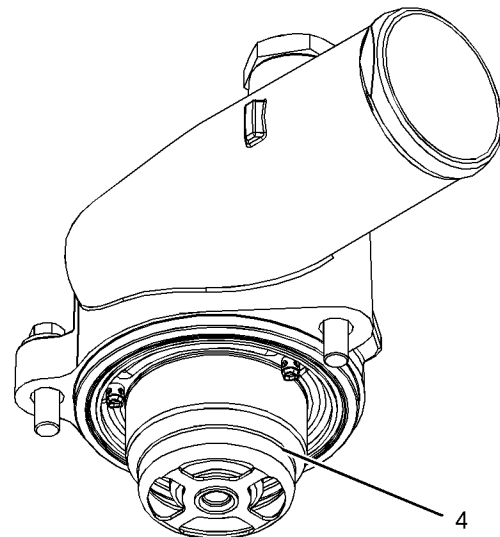


Illustration 64 g02150762

Typical example

(4) Water temperature regulator

Opening temperature.....80° to 84°C
(151° to 176°F)

Maximum open length of 11 mm (0.43307 inch)
is achieved at the following temperature. 94° C
(201° F)

i03916132

Water Pump

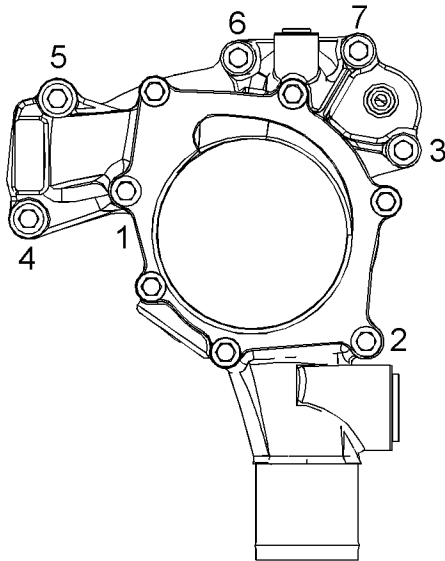


Illustration 65

g02150757

Tightening sequence

Tighten the setscrews in the numerical sequence that is shown in illustration 65 to the following torque.
22 N·m (16 lb ft)

i05800601

Cylinder Block

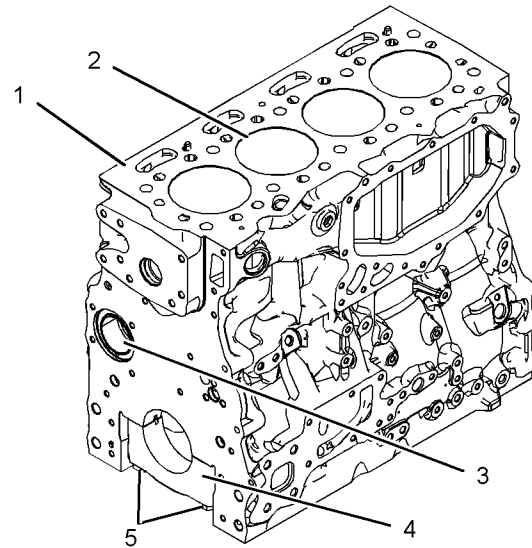


Illustration 66

g02150944

Typical example

- (1) Cylinder block
- (2) Cylinder bore 105.000 to 105.025 mm
 (4.1338 to 4.1348 inch)

The maximum permissible wear for the cylinder bore
 0.15 mm (0.0059 inch)

- (3) Camshaft bearings
 - Diameter of the bushing in the cylinder block for the number 1 camshaft bearing
 55.563 to 55.593 mm (2.1875 to 2.1887 inch)
 - Diameter of the bore in the cylinder block for the number 2 camshaft journal
 50.546 to 50.597 mm (1.9900 to 1.9920 inch)
 - Diameter of the bore in the cylinder block for the number 3 camshaft journal
 50.038 to 50.089 mm (1.9700 to 1.9720 inch)

- (4) Main bearings
 - Bore in the cylinder block for the main bearings
 88.246 to 88.272 mm (3.4742 to 3.4753 inch)

(5) Main bearing cap bolts

Use the following procedure in order to install the main bearing cap bolts:

1. Apply clean engine oil to the threads of the main bearing cap bolts.

2. Put the main bearing caps in the correct position that is indicated by a number on the top of the main bearing cap. Install the main bearing caps with the locating tabs in correct alignment with the recess in the cylinder block.

Standard thickness of thrust washer
2.69 to 2.75 mm (0.10591 to 0.10827 inch)

Oversize thickness of thrust washer
2.89 to 2.95 mm (0.11378 to 0.11614 inch)

3. Evenly tighten the main bearing cap bolts.

Torque for the main bearing cap bolts.245 N·m
 (181 lb ft)

Note: Ensure that the crankshaft can rotate freely.

i04129189

Crankshaft

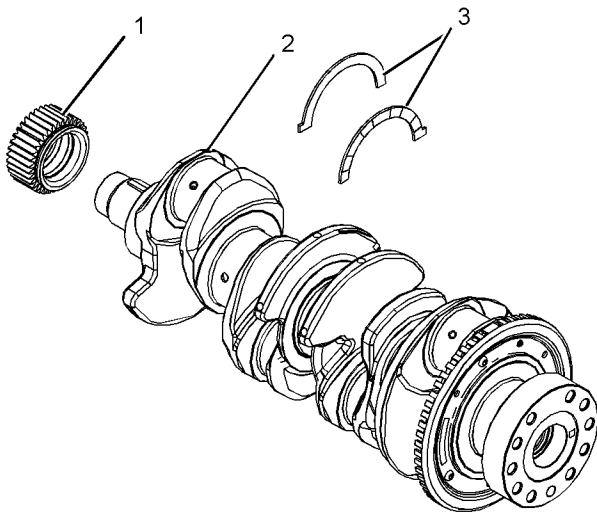


Illustration 67

g02155393

Typical example

- (1) Crankshaft gear
- (2) Crankshaft
- (3) Crankshaft thrust washers

Maximum permissible temperature of the gear for installation on the crankshaft 180 °C (356 °F)

Maximum permissible temperature of the drive gear for the balancer (if equipped) for installation on the crankshaft 180 °C (356 °F)

Note: Refer to Disassembly and Assembly for the correct procedure to remove and install the drive gear for the balancer.

The end play of a new crankshaft..... 0.1 to 0.41 mm
 (0.00394 to 0.01614 inch)

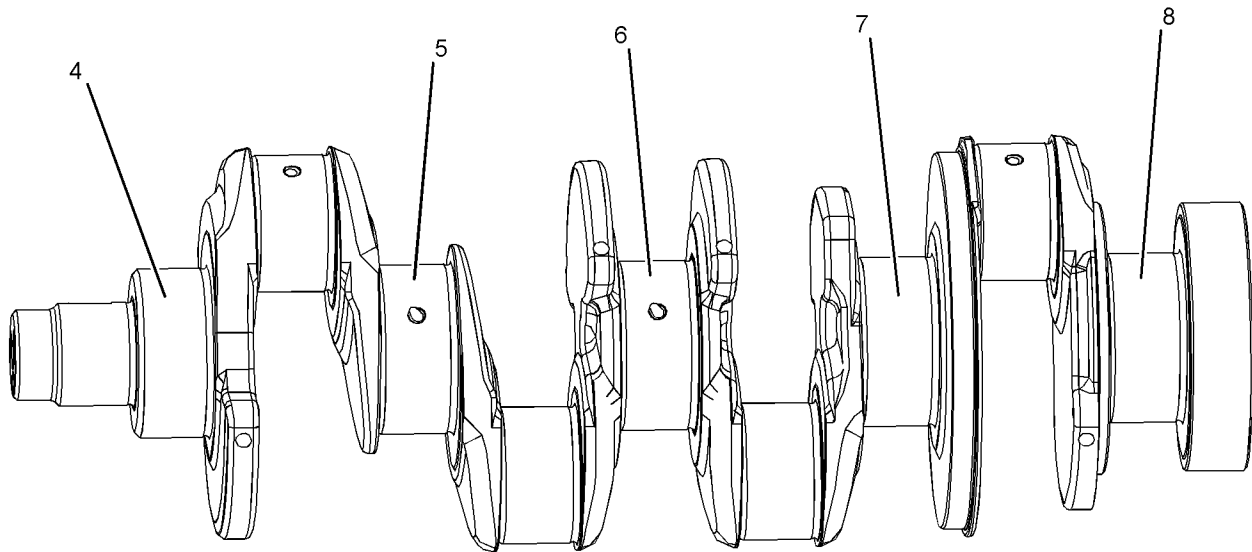


Illustration 68

g02155394

Typical example

(4) Journal 1
(5) Journal 2

(6) Journal 3
(7) Journal 4

(8) Journal 5

Refer to table 6 for the run out of the crankshaft journals.

i02934550

Table 6

| Journal | Run out of the Journals |
|---------|-------------------------|
| (1) | Mounting |
| (2) | 0.08 mm (0.0031 inch) |
| (3) | 0.15 mm (0.0059 inch) |
| (4) | 0.08 mm (0.0031 inch) |
| (5) | Mounting |

Crankshaft Seals

Inspect the crankshaft for wear or for damage. For more information regarding the servicing of the crankshaft, contact the Global Technical Support Center.

Refer to Specifications, "Connecting Rod Bearing Journal" for more information on the connecting rod bearing journals and connecting rod bearings.

Refer to Specifications, "Main Bearing Journal" for information on the main bearing journals and for information on the main bearings.

i03996317

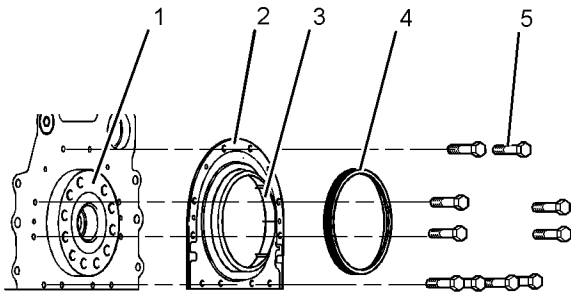


Illustration 69

g01455434

Typical example

- (1) Crankshaft
- (2) Crankshaft seal
- (3) Plastic sleeve
- (4) Alignment tool

Connecting Rod Bearing Journal

The original size of the connecting rod bearing journal on the crankshaft 67.99 to 68.01 mm
(2.67677 to 2.67755 inch)

Maximum permissible wear of a bearing journal on the crankshaft when a new connecting rod is installed 0.04 mm (0.0016 inch)

Width of the connecting rod bearing journals on the crankshaft 40.305 to 40.455 mm
(1.58681 to 1.59271 inch)

Surface finish of connecting rod bearing journals Ra 0.25 microns

i05800602

Main Bearing Journal

The original size of the main bearing journal 83.980 to 84.000 mm (3.30629 to 3.30708 inch)

Maximum permissible wear of the main bearing journals 0.040 mm (0.0016 inch)

Surface finish of bearing journals and crank pins Ra 0.25 microns

Width of new main bearing journal where the thrust washer is installed 39.765 to 39.835 mm
(1.56555 to 1.56830 inch)

Width of new main bearing journal where the thrust washer is not installed 39.19 to 39.39 mm
(1.54291 to 1.55078 inch)

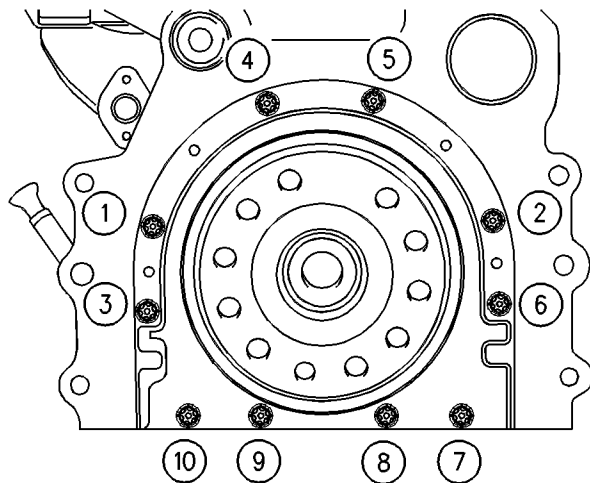


Illustration 70

g00915076

(5) Tighten bolts 1, 2, 3, 4, 5, 6, 7, and 10 in the sequence that is shown in Illustration 70 to the following torque.....22 N·m (16 lb ft)

Remove the alignment tool.

Tighten bolts 8 and 9 in the sequence that is shown in Illustration 70 to the following torque.22 N·m (16 lb ft)

The shell for the main bearings

The shells for the main bearings are available for remachined journals which have the following oversize dimensions.

- Oversize bearing shell 0.25 mm (0.010 inch)
- Oversize bearing shell 0.51 mm (0.020 inch)
- Oversize bearing shell 0.76 mm (0.030 inch)

Thickness at center of the shells of oversize bearing shell 0.25 mm (0.010 inch) 2.226 to 2.232 mm
(0.08764 to 0.08787 inch)

Thickness at center of the shells of oversize bearing shell 0.50 mm (0.020 inch) 2.353 to 2.359 mm (0.09264 to 0.09287 inch)

Thickness at center of the shells of oversize bearing shell 0.76 mm (0.030 inch) 2.480 to 2.486 mm (0.09764 to 0.09787 inch)

Width of the main bearing shells ... 26.32 to 26.58 mm (1.03622 to 1.04645 inch)

Clearance between the bearing shell and the main bearing journals 0.036 to 0.094 mm (0.00142 to 0.00370 inch)

i05380410

Connecting Rod

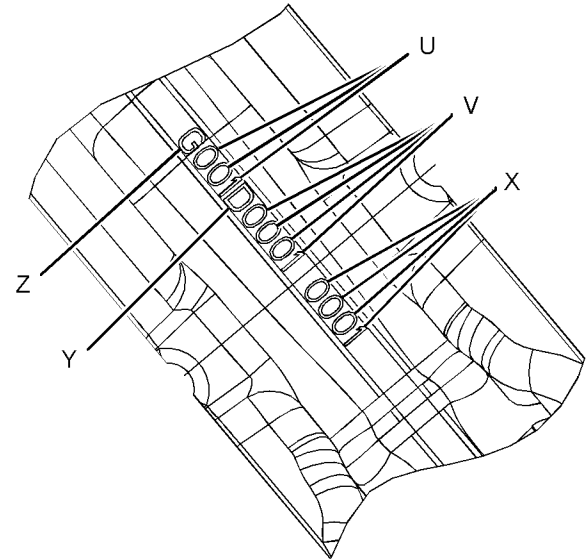


Illustration 72

g01950657

Typical example

- (U) Day code
- (V) Code for the connecting rod
- (X) Code for the Connecting rod cap
- (Y) Year code
- (Z) Code for the grade of connecting rod

Note: The day code is from the first day in the year. For example, “001” will be the first day of the appropriate year.

The mating surfaces of the connecting rod are produced by hydraulically fracturing the forged connecting rod. Ensure that the correct cap for the connecting rod is installed with the correct connecting rod. Ensure that the serial numbers for both components match.

(2) Torque of the setscrews for the connecting rod 40 N·m (30 lb ft)

Tighten the setscrews for the connecting rod for an additional 120 degrees. The setscrews for the connecting rod (2) must be replaced after this procedure.

Note: Always tighten the connecting rod cap to the connecting rod, when the assembly is out of the engine. Tighten the assembly to the following torque 20 N·m (14 lb ft).

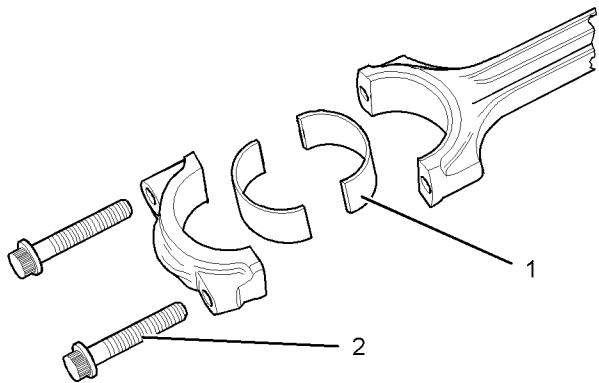


Illustration 71

g01254512

Typical example

(1) The bearing shell for the connecting rod

For the correct procedure to install the bearing shell for the connecting rod, refer to Disassembly and Assembly, “Pistons and Connecting Rods - Assemble”.

Table 7

| | |
|--|---|
| Thickness of Connecting Rod Bearing at the Center | 1.995 to 2.002 mm (0.07854 to 0.07882 inch) |
| Bearing Clearance | 0.031 to 0.078 mm (0.00122 to 0.00307 inch) |

Table 8

| Oversize Connecting Rod Bearing | |
|--|----------------------|
| | 0.25 mm (0.010 inch) |
| | 0.51 mm (0.020 inch) |
| | 0.76 mm (0.030 inch) |

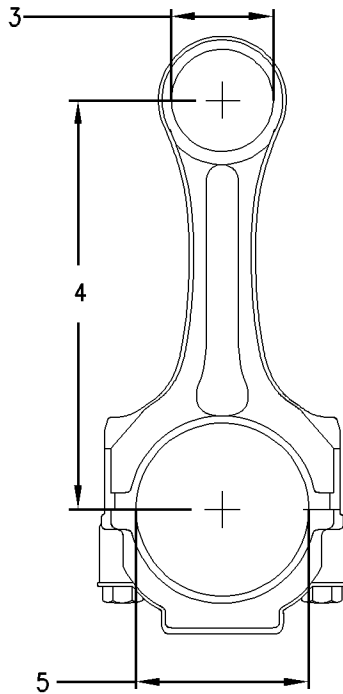


Illustration 73

g01254518

Typical example

- (3) Diameter of the finished bore for the piston pin
.....39.738 to 39.723 mm (1.5645 to 1.5639 inch)
- (4) Distance between the parent bores
.....219.05 to 219.1 mm (8.6240 to 8.6260 inch)
- (5) Diameter for the finished bore for the connecting rod bearing..... 72.045 to 72.058 mm (2.83641 to 2.83692 inch)

The connecting rod is color coded. The color code is a reference for the length of the connecting rod. Refer to table 9 for the length of connecting rod.

Table 9

| Specifications for the Connecting Rod | | |
|---------------------------------------|------------|--|
| Grade Letter | Color Code | Length Of The Connecting Rod |
| B | Blue | 163.081 to 163.114 mm (6.42050 to 6.42180 inch) |

i04939374

Piston and Rings

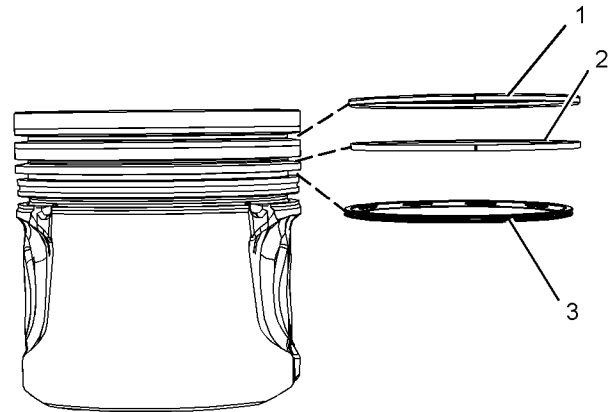


Illustration 74

g03120776

Typical example

(1) Top compression ring

The shape of the top compression ring

.....Keystone

Ring gap..... 0.25 to 0.35 mm
(0.00984 to 0.01378 inch)

Note: When you install a new top compression ring, make sure that the word "TOP" is facing the top of the piston. New top piston rings have a black identification mark. The identification mark must be on the left of the ring end gap when the top piston ring is installed on an upright piston.

(2) Intermediate compression ring

The shape of the intermediate compression ring
..... Internal bevel in the bottom edge with a tapered face

Width of intermediate compression ring
.....2.47 to 2.495 mm (0.0972 to 0.0982 inch)

The clearance between a new intermediate compression ring and the piston groove in a new piston.....0.065 to 0.110 mm
(0.00256 to 0.00433 inch)

Ring gap..... 0.65 to 0.85 mm
(0.0256 to 0.0335 inch)

Note: When you install a new intermediate compression ring, make sure that the word "TOP" is facing the top of the piston. New intermediate rings have a blue identification mark. The identification mark must be on the left of the ring end gap when the top piston ring is installed on an upright piston.

(3) The oil control ring

Width of oil control ring..... 2.79 to 3.00 mm
(0.10984 to 0.11811 inch)

The clearance between a new oil control ring and the groove in a new piston 0.05 to 0.10 mm
(0.00197 to 0.00394 inch)

Ring gap 0.30 to 0.55 mm
(0.0118 to 0.0216 inch)

Note: When you install a new oil control ring, make sure that the word “TOP” is facing the top of the piston. New oil control rings have a red identification mark. The identification mark must be on the left of the ring end gap when the top piston ring is installed on an upright piston. The oil control ring is a two-piece ring that is spring loaded. A pin is used in order to hold both ends of the spring of the oil control ring in position. The ends of the spring of the oil control ring must be installed opposite the end gap of the oil control ring.

Note: Ensure that the ring end gaps of the piston rings are spaced 120 degrees from each other.

Piston

Note: An arrow which is marked on the piston crown must be toward the front of the engine.

Piston height above cylinder block 0.55 to 0.20 mm
(0.02165 to 0.00787 inch)

Width of top groove in the piston Tapered

Width of second groove in new piston 2.56 to 2.58 mm (0.1008 to 0.1016 inch)

Width of third groove in new piston.... 3.05 to 3.07 mm
(0.12008 to 0.12087 inch)

Piston pin

Diameter of a new piston pin 39.694 to 39.700 mm (1.5628 to 1.5630 inch)

i02696381

Piston Cooling Jet

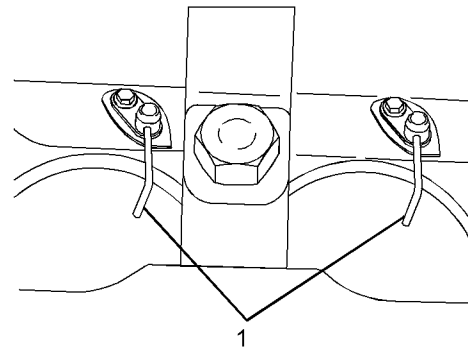


Illustration 75

g01352576

(1) Installed piston cooling jets

The valve must move freely. Tighten the bolt to the following torque.....9 N·m (7 lb ft)

Piston Cooling Jet Alignment

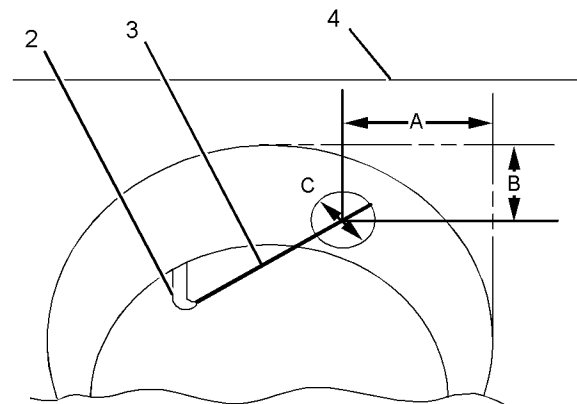


Illustration 76

g01352578

(2) Piston cooling jet
(3) Rod
(4) Cylinder block

Use the following procedure in order to check the alignment of the piston cooling jet.

1. Insert rod (3) into the end of the piston cooling jet (2). Rod (3) has a diameter of 1.70 mm (0.067 inch). Rod (3) must protrude out of the top of the cylinder block.
2. Dimension (A) is 50.75 mm (1.9980 inch) and dimension (B) is 9.35 mm (0.3681 inch). Dimension (A) and dimension (B) are tangential to the cylinder bore (4).

- The position of the rod (3) must be within dimension (C). Dimension (C) is 14 mm (0.5512 inch).

Note: Ensure that the rod (3) can not damage the piston cooling jet when the alignment is checked. The piston cooling jets can not be adjusted. If a piston cooling jet is not in alignment the piston cooling jet must be replaced.

i04555039

Balancer

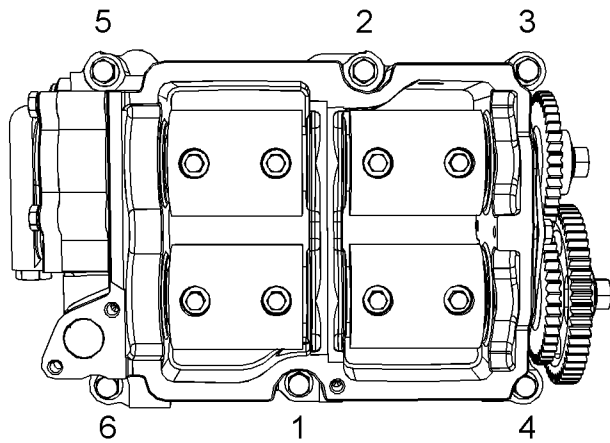


Illustration 77 g02150753

Typical example

Tighten the bolts in the sequence that is shown in illustration 77 to the following torque.54 N·m (40 lb ft)

Backlash values

Backlash between crankshaft ring gear and the balancer intermediate gear 0.020 to 0.240 mm (0.0008 to 0.009 inch)

Backlash between the balancer shaft gears 0.020 to 0.160 mm (0.0008 to 0.0063 inch)

i03907005

Accessory Drive (SAE “B”)

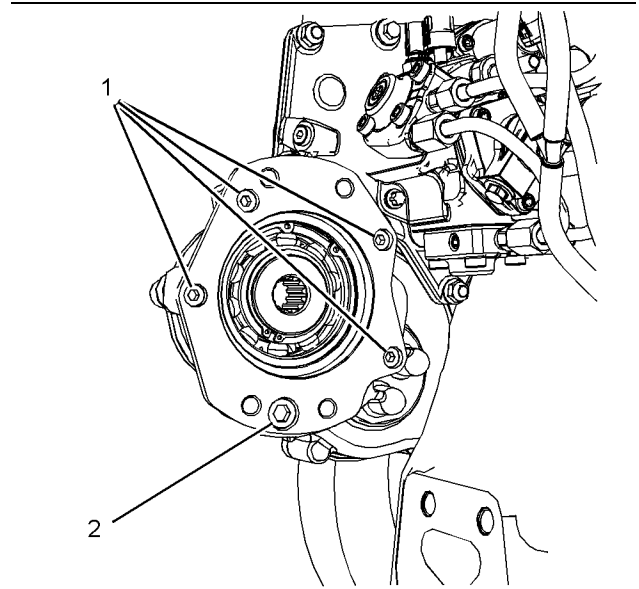


Illustration 78 g02148374

Typical example

- Tighten allen head screws to the following torque.22 N·m (16 lb ft)
- Tighten the allen head screw to the following torque.....78 N·m (58 lb ft)

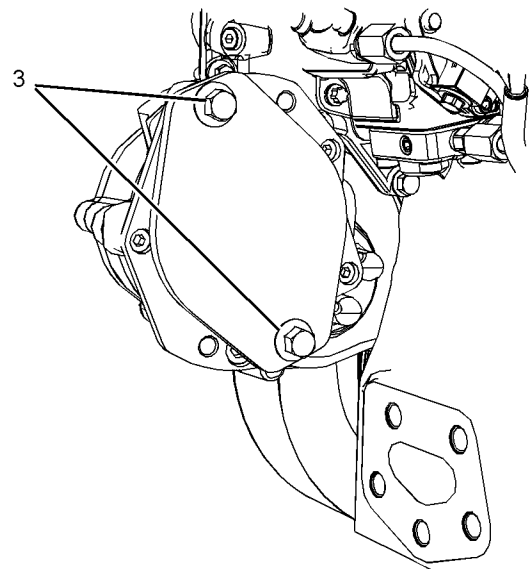


Illustration 79 g02148375

Typical example

- Tighten bolts to the following torque.....44 N·m (33 lb ft)

i03907004

Accessory Drive

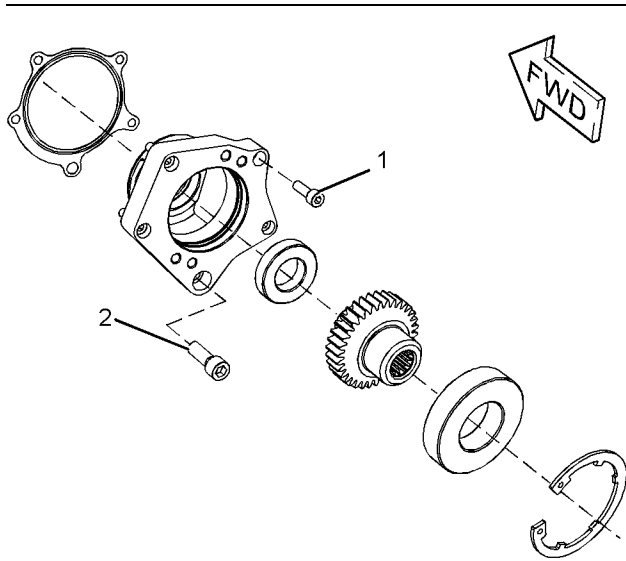


Illustration 80 g02148372
Typical example

- (1) Tighten the allen head screws to the following torque.....22 N·m (16 lb ft)
- (2) Tighten the allen head screws to the following torque.....78 N·m (58 lb ft)

i03917090

Front Housing and Covers

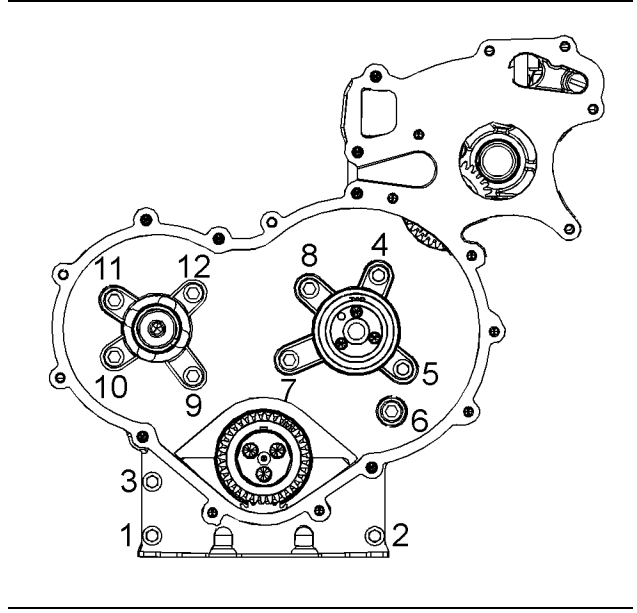


Illustration 81 g01860874
Typical example

Tighten the setscrew to the sequence that is shown in illustration 81 to the following torque.28 N·m (20 lb ft)

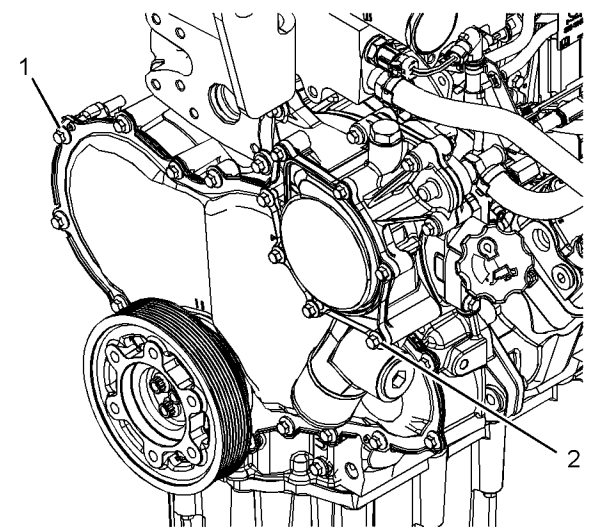


Illustration 82 g02150954
Typical example

- (1) Tighten the bolts that fasten the front cover to the front housing to the following torque.....22 N·m (16 lb ft)
- (2) Tighten the bolts that fasten the water pump to the front housing to the following torque.....22 N·m (16 lb ft)

Note: Refer to Specifications, “Water Pump” for the correct bolt tightening sequence for the water pump.

i05805182

Gear Group (Front)

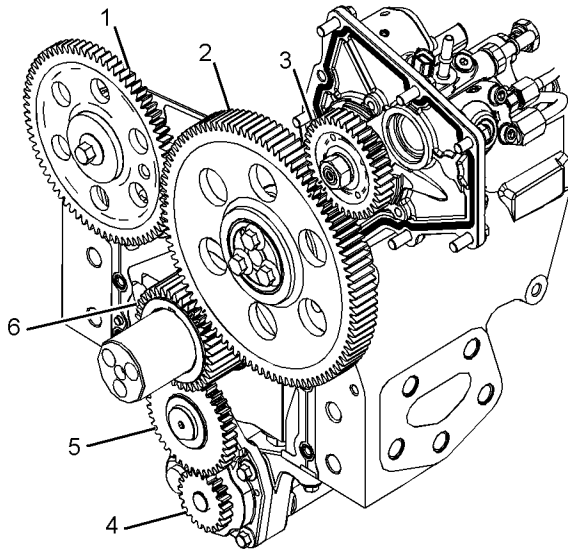


Illustration 83
Gear train

g01857156

(1) Camshaft gear

Torque for the 8.8 graded bolt for the camshaft gear 95 N·m (70 lb ft)
Torque for the 10.9 graded bolt for the camshaft gear 120 N·m (89 lb ft)
Number of teeth 72

(2) Idler gear and hub

Torque for the bolts for the idler gear 44 N·m (33 lb ft)
Width of medium duty and heavy duty idler gear bearing 25.45 to 25.55 mm (1.00197 to 1.00590 inch)
Inside diameter of medium duty and heavy duty idler gear bearings 56.00 to 56.03 mm (2.20472 to 2.20590 inch)
Outside diameter of medium duty and heavy duty idler gear hub 55.95 to 55.97 mm (2.20275 to 2.20354 inch)
Clearance of medium duty and heavy duty idler gear bearing on hub 0.03 to 0.08 mm (0.00118 to 0.00315 inch)

The end play of the medium duty and heavy duty idler gear 0.05 to 0.15 mm (0.00197 to 0.00591 inch)

Number of teeth 97

(3) Fuel injection pump drive gear

Torque for the nut 64 N·m (47 lb ft)
Number of teeth 36

(4) Oil pump gear

The number of teeth on the oil pump gear 18

Backlash values

Backlash between the oil pump idler gear (5) and the oil pump drive gear (4) 0.05 to 0.15 mm (0.0020 to 0.0059 inch)

Backlash between the oil pump idler gear (5) and the crankshaft gear (6) 0.025 to 0.210 mm (0.00098 to 0.00827 inch)

Backlash between the idler gear (2) and the crankshaft gear (6) 0.05 to 0.15 mm (0.0020 to 0.0059 inch)

Backlash between the camshaft gear (1) and the idler gear (2) 0.05 to 0.15 mm (0.0020 to 0.0059 inch)

Backlash between the fuel injection pump gear (3) and the idler gear (2) 0.05 to 0.15 mm (0.0020 to 0.0059 inch)

Backlash between the water pump gear (not shown) and the fuel injection pump gear (3) 0.05 to 0.15 mm (0.0020 to 0.0059 inch)

Backlash between the power take-off drive (if equipped) and the idler gear (2) 0.05 to 0.250 mm (0.0020 to 0.0098 inch)

(5) Oil pump idler gear

Inside diameter of oil pump idler gear bearing 16.012 to 16.038 mm (0.6304 to 0.6314 inch)
Outside diameter of oil pump idler gear shaft 15.966 to 15.984 mm (0.6286 to 0.6293 inch)
Clearance of oil pump idler gear bearing on shaft 0.028 to 0.072 mm (0.0011 to 0.0028 inch)
End play of the oil pump idler gear 0.050 to 0.275 mm (0.0019 to 0.0108 inch)
End play of the oil pump drive gear 0.005 to 0.090 mm (0.00020 to 0.00354 inch)

(6) Crankshaft gear

- Bore diameter of crankshaft gear
..... 51.00 to 51.03 mm (2.0079 to 2.0091 inch)
- Outside diameter of crankshaft hub
..... 51.021 to 51.002 mm (2.0087 to 2.0079 inch)
- Clearance of gear on crankshaft
..... -0.021 to +0.028 mm
..... (-0.00083 to 0.00110 inch)
- Number of teeth 36

i03520340

i04315754

Flywheel Housing

Table 10

| Required Tools | | | |
|----------------|-------------|------------------|-----|
| Tool | Part Number | Part Description | Qty |
| A | - | Loctite 575 | 1 |

Flywheel

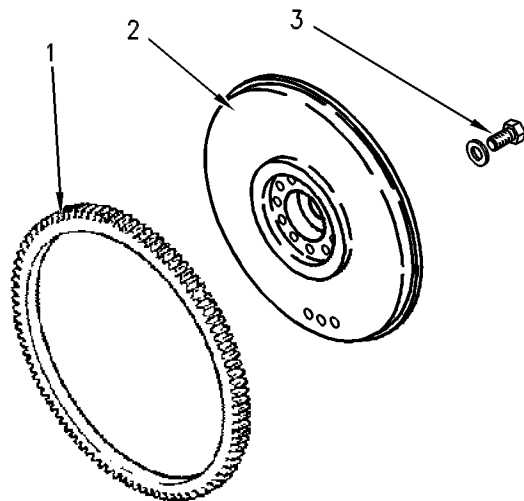


Illustration 84 g00584712

Typical example

(1) Flywheel ring gear

Heat the flywheel ring gear to the following temperature..... 250 °C (480 °F)

Note: Do not use an oxyacetylene torch to heat the flywheel ring gear.

(2) Flywheel

(3) Bolt

Tighten the flywheel bolts to the following torque.
..... 140 N·m (103 lb ft)

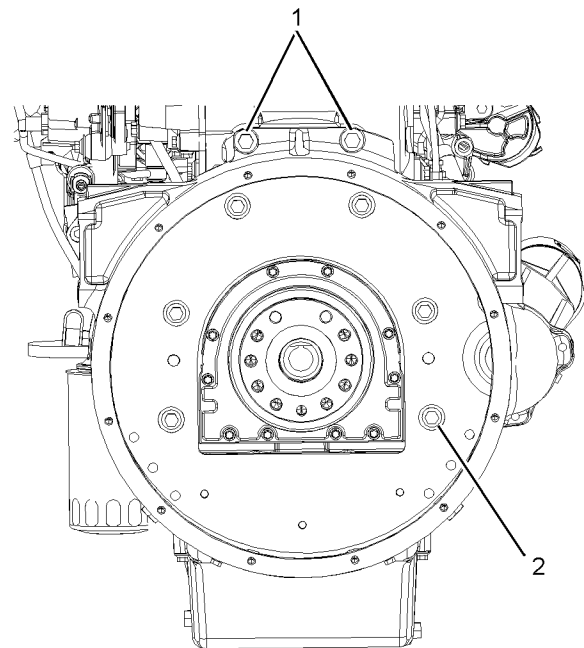


Illustration 85 g01254486

Typical example

Setscrew

(1) Tighten the setscrew to the following torque.
..... 75 N·m (55 lb ft)

Setscrew

(2) Tighten the setscrew to the following torque.
..... 63 N·m (46 lb ft)

Note: If 12.9 setscrews are installed, apply Tooling (A) to the setscrews. Tighten the 12.9 setscrews to a torque of 70 N·m (52 lb ft).

i05800618

Crankshaft Pulley

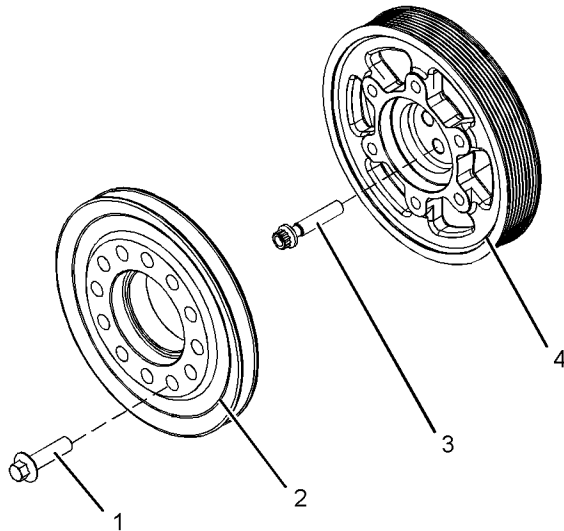


Illustration 86
Typical example
g02155003

(1) Tighten the bolts to the following torque.....78 N·m
(58 lb ft)

(3) Bolts

Tighten the bolts to the following torque.
.....22.5 N·m (17 lb ft)
Tighten the bolts to the additional amount. 120
degrees

(2) Auxiliary pulley

(4) Crankshaft pulley

i04083729

Belt Tensioner

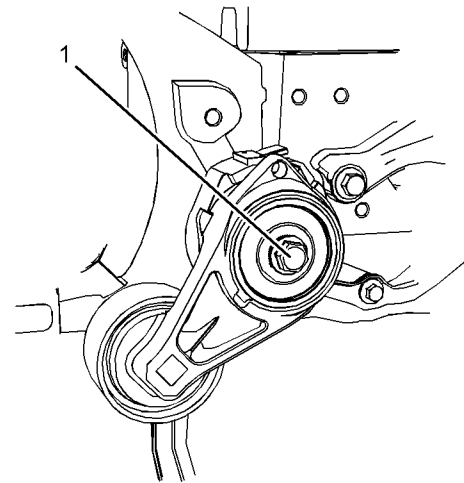


Illustration 87
Typical example
g02291813

(1) Tighten the bolt to the following torque.45 N·m
(33 lb ft)

Note: To install the belt tensioner, refer to
Disassembly and Assembly, "Belt Tensioner -
Remove and Install" for the correct procedure.

i03629003

Refrigerant Compressor

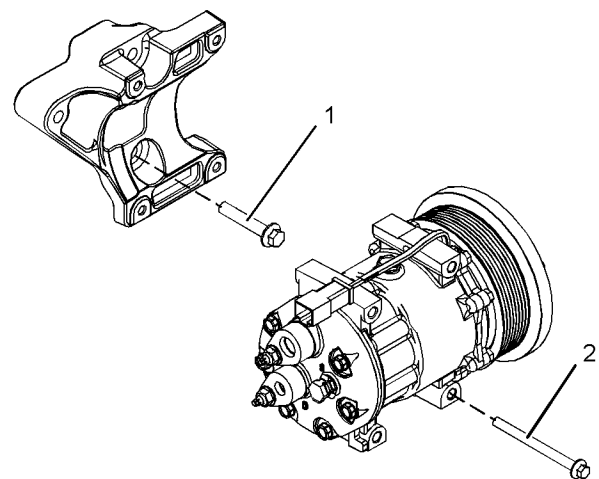


Illustration 88
Typical example
g01946810

(1) Tighten the bolts to the following torque.....44 N·m
(32 lb ft)

(2) Tighten the bolts to the following torque.....22 N·m
(16 lb ft)

i04921370

Fan Drive

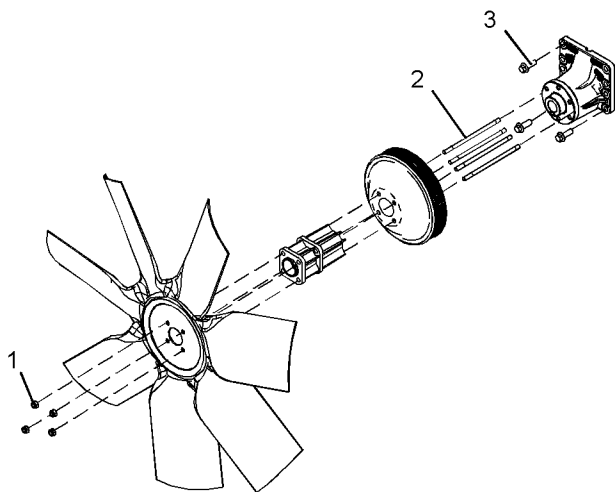


Illustration 89

g03087078

Typical example

(1) Tighten the locking nuts to the following torque.
.....22 N·m (16 lb ft)

(2) Tighten the studs (if equipped) to the following torque.....11 N·m (97 lb in)

(3) Tighten the bolts to the following torque.....44 N·m
(32 lb ft)

i03520381

Engine Lifting Bracket

All engines are equipped engine lifting brackets. Some lifting brackets require two bolts and some lifting brackets may require four bolts.

Tighten the bolts on the engine lifting brackets to the following torque.44 N·m (32 lb ft)

i05805361

Alternator

The 12 V and 24 V Type 1 Alternators

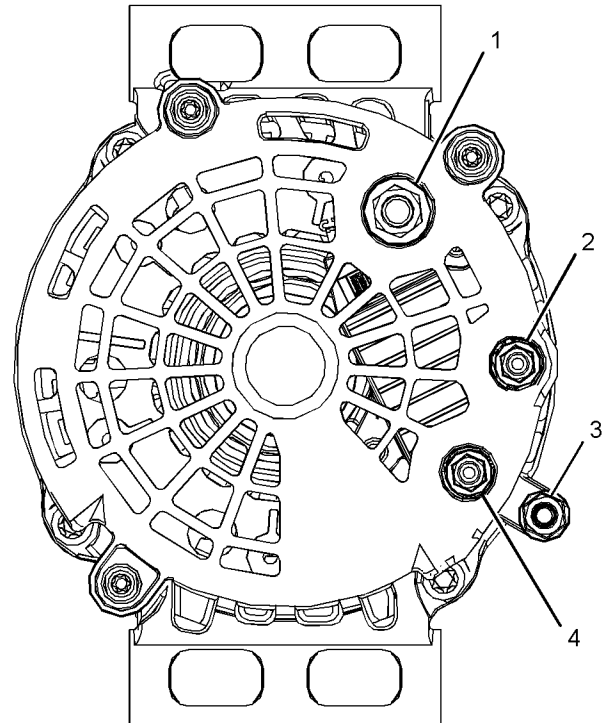


Illustration 90

g02149533

Typical example

(1) Terminal “B+”

Tighten the nut on the terminal to the following.
.....11.5 N·m (102 lb in)

(2) Terminal “D+”

Tighten the nut on the terminal to the following torque.4 N·m (35 lb in)

(3) Terminal “B-” (if equipped)

Tighten the nut on the terminal to the following torque.6 N·m (53 lb in)

(4) Terminal “W”

Tighten the nut on the terminal to the following torque.4 N·m (35 lb in)

Tighten the nut for the alternator pulley to the following torque.....95 N·m (70 lb ft)

Output

The outputs of the alternators55 Amp, 80 Amp, 100 Amp, 120 Amp, or 150 Amp

Alternator Bracket

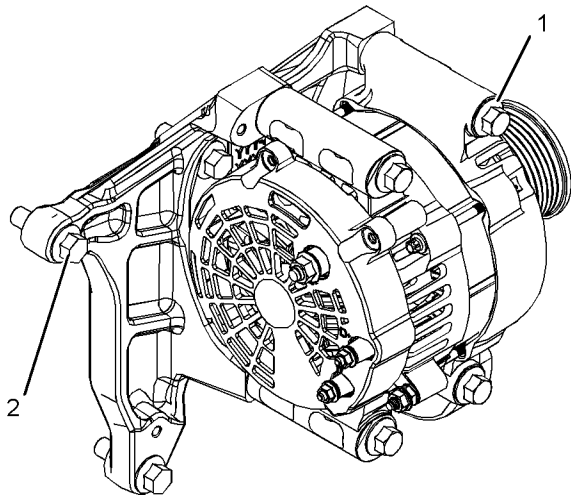


Illustration 91 g02151927

Typical example

- (1) Tighten the setscrews that secure the alternator to the bracket to the following torque.....50 N·m (37 lb ft)
- (2) Tighten the setscrews that secure the bracket to the cylinder block to the following torque.....44 N·m (32 lb ft)

i04458352

Starter Motor

24 V Starting Motor 5.5 kW

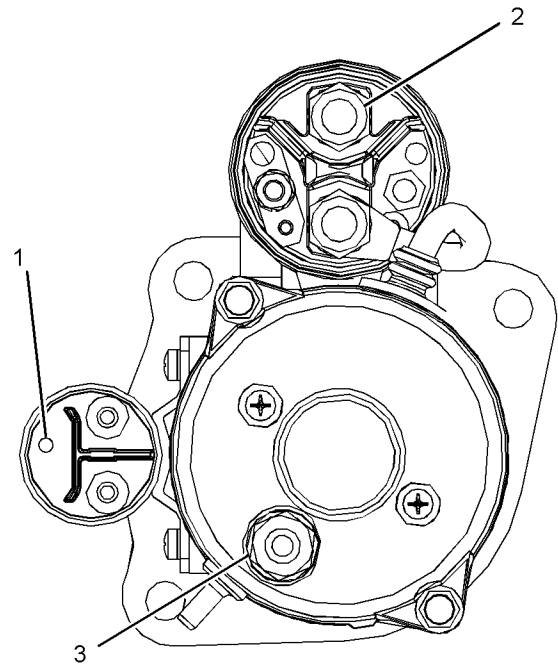


Illustration 92 g02643800

Typical example

- (1) Tighten the solenoid terminal to the following torque.....2.5 N·m (22 lb in)
- (2) Tighten the positive terminal nut to the following torque.....15 N·m (11 lb ft)
- (3) Tighten the negative terminal nut to the following torque.....18 N·m (13 lb ft)

Rated voltage24 V

**12 V Starting Motor 3 kW, 4 kW, and
24 V Starting Motor 4.5 kW**

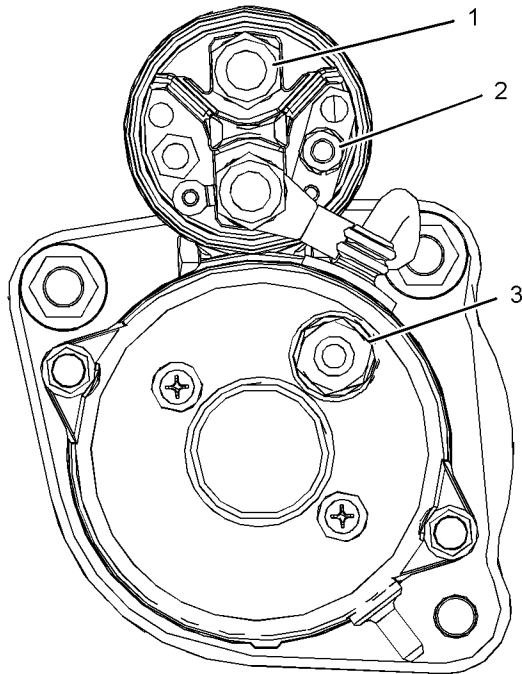


Illustration 93 g01943502

Typical example

(1) Tighten the positive terminal nut to the following torque..... 15 N·m (11 lb ft)

(2) Tighten the solenoid terminal to the following torque.....5.8 N·m (51 lb in)

(3) Tighten the negative terminal nut to the following torque.....18 N·m (13 lb ft)

Rated voltage 12 V

i05807086

Nitrogen Oxide Sensor

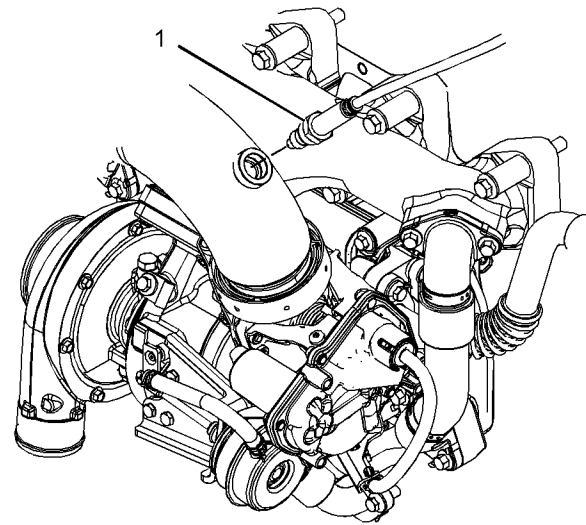


Illustration 94 g03677797

Typical example

(1) Tighten the sensor to the following torque.
.....50 N·m (37 lb ft)

Note: The other nitrogen oxide sensor is installed in the exhaust pipe. Refer to the OEM for more information.

i04067589

Coolant Temperature Sensor

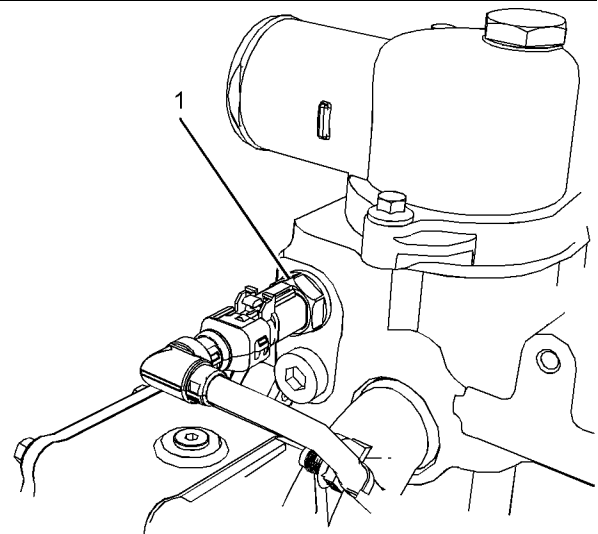


Illustration 95 g02285594

Typical example

(1) Sensor

Torque for the sensor20 N·m (15 lb ft)

i03916100

Engine Oil Pressure Sensor

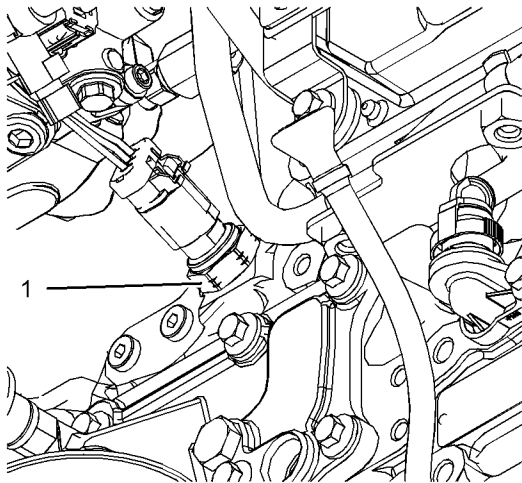


Illustration 96
Typical example

g02150747

(1) Sensor

Tighten the sensor. Torque for the sensor
..... 10 N·m (89 lb in)

i03916119

Boost Pressure Sensor

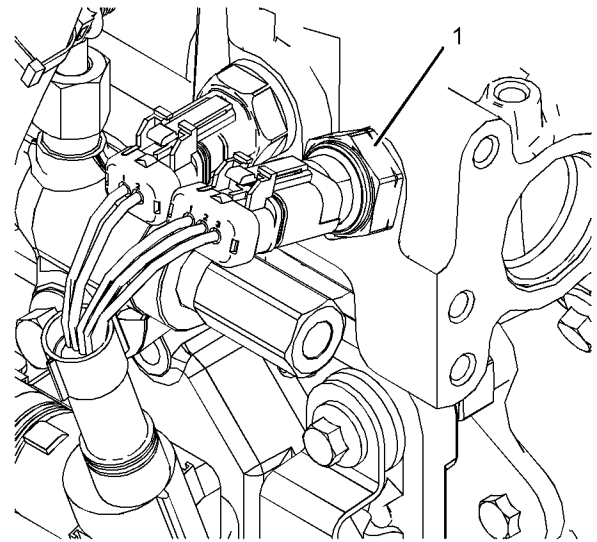


Illustration 97
Typical example

g02150750

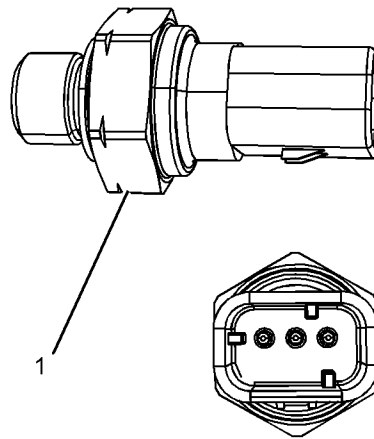


Illustration 98
Typical example

g01332534

(1) Tighten the sensor to the following torque.
..... 10 N·m (89 lb in)

i05914965

Ammonia Sensor (If equipped)

Note: The ammonia sensor should be installed into the exhaust pipe at a suitable position.

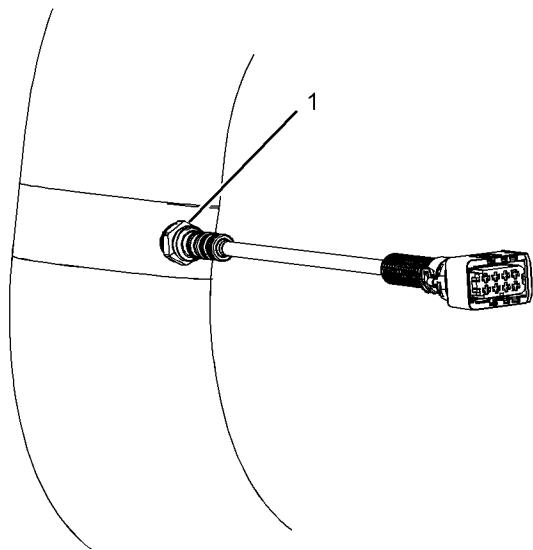


Illustration 99 g03722367

Typical example

(1) Tighten the sensor to the following torque.
.....50 N·m (37 lb ft)

Tighten the M6 bolts to the following torque.12 N·m
(106 lb in)

i04285191

Atmospheric Pressure Sensor

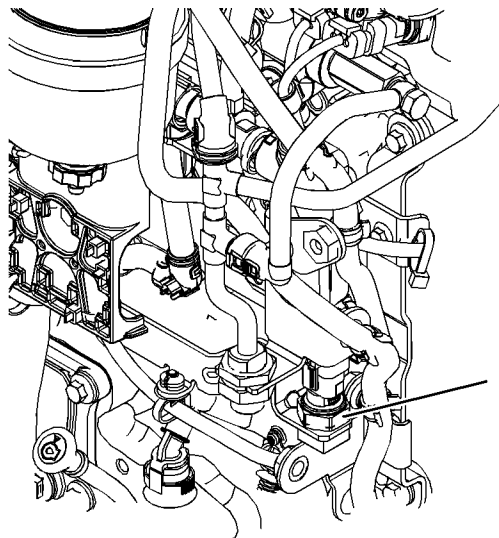


Illustration 101 g02452158

Typical example

(1) Tighten the atmospheric pressure sensor to the following torque.....10 N·m (89 lb in)

i03916112

Inlet Manifold Temperature Sensor

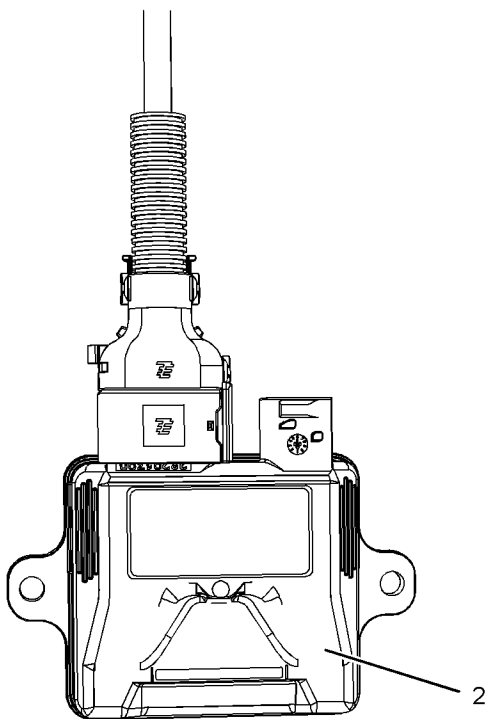


Illustration 100 g03722371

Typical example

Note: The ammonia sensor module (2) is mounted to the application using two washers and the two M6 bolts.

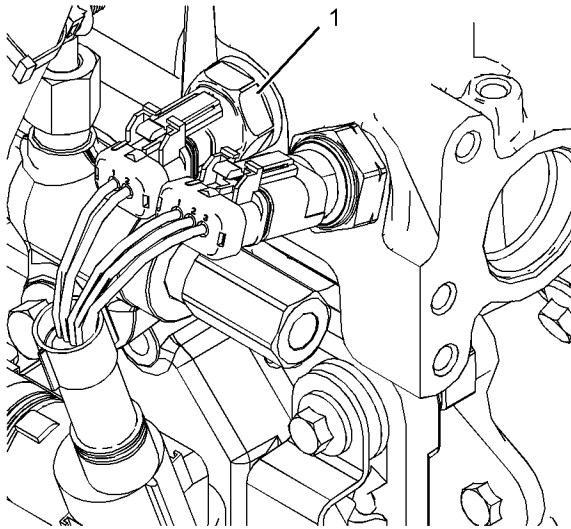


Illustration 102 g02150749
Typical example

(1) Tighten the sensor to the following torque.
.....20 N·m (15 lb ft)

i05882423

Temperature Sensor (DPF Inlet)

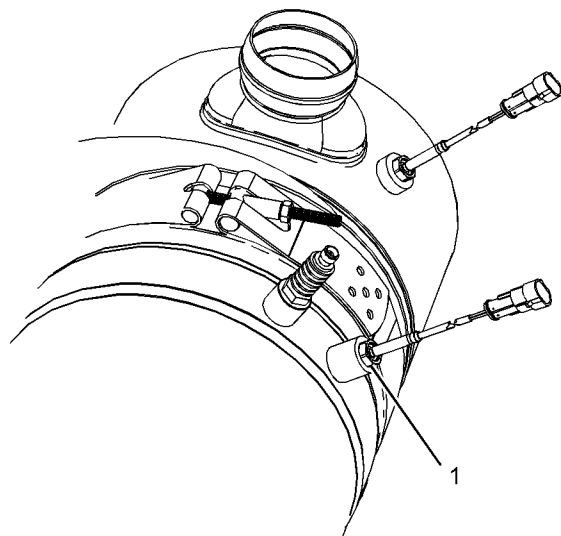


Illustration 103 g03722381
Typical example

(1) Tighten the temperature sensor to the following torque.....45 N·m (33 lb ft)

i05882418

Temperature Sensor (DOC Inlet)

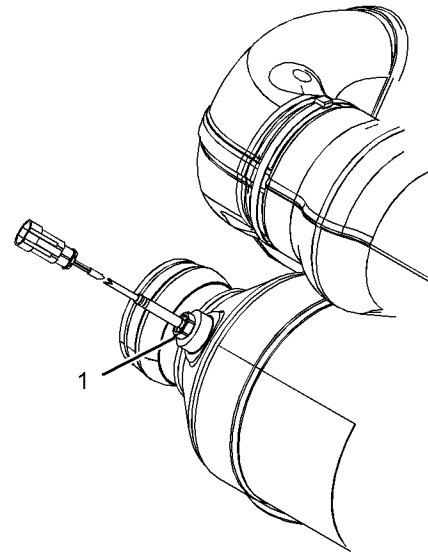


Illustration 104 g03722375
Typical example

(1) Tighten the temperature sensor to the following torque.....45 N·m (33 lb ft)

i05915009

Temperature Sensor (Exhaust) (Selective Catalytic Reduction (SCR) Temperature Sensor)

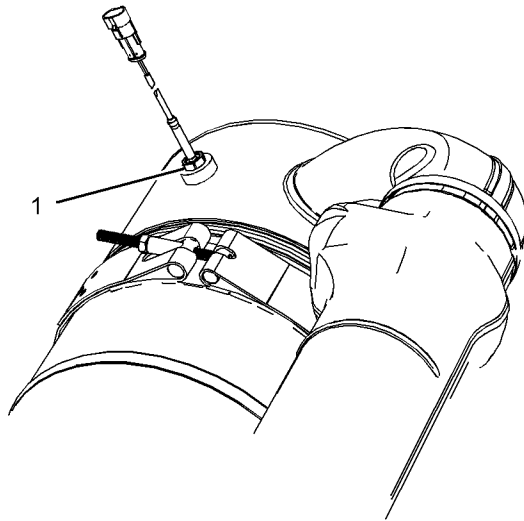


Illustration 105 g03722386
 Typical example

(1) Tighten the temperature sensor to the following torque.....45 N·m (33 lb ft)

i05808550

Pressure Sensor (NOx Reduction System)
 (Differential Pressure Sensor)

(1) Tighten the bolts to the following torque.....22 N·m (16 lb ft)

i05808535

Pressure Sensor (NOx Reduction System)

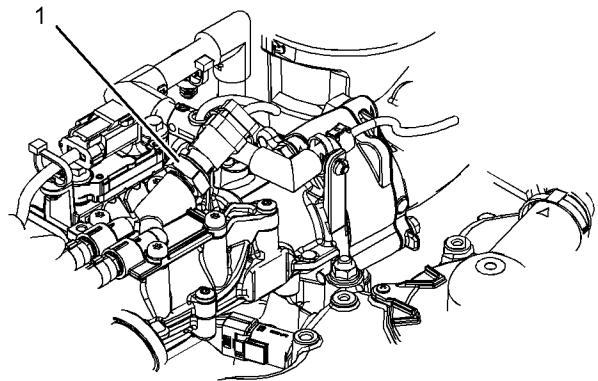


Illustration 107 g03677734
 Typical example

(1) Tighten the pressure sensors to the following torque.....10 N·m (89 lb in)

i05801469

Temperature Sensor (NOx Reduction System)

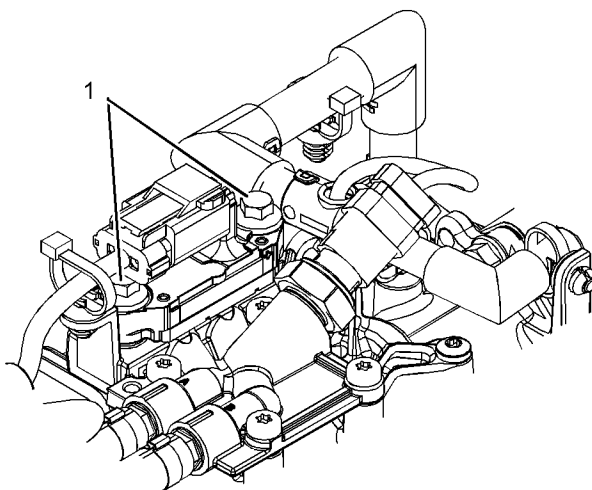


Illustration 106 g03677742
 Typical example

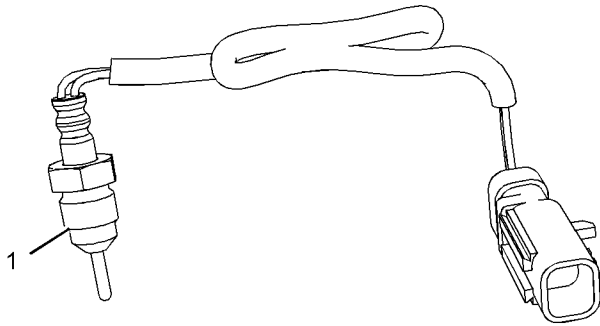


Illustration 108 g02452136
 Typical example

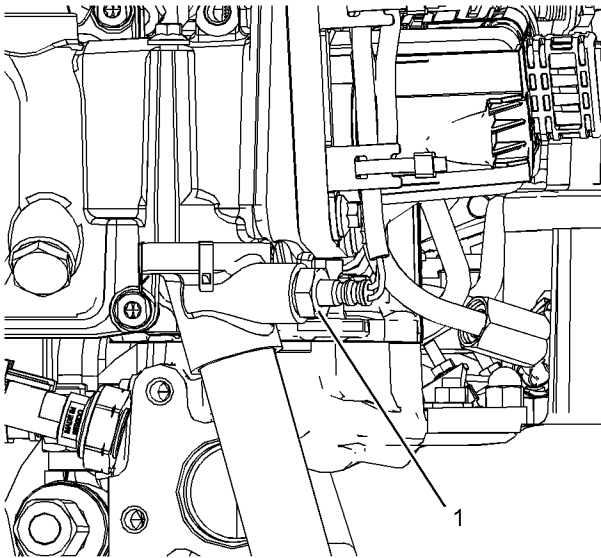


Illustration 109 g02152917
 Typical example

(1) Tighten the sensor to the following torque.
45 N·m (33 lb ft)

Operating voltage5 VDC

i05882340

Soot Antenna

Table 11

| Required Tools | | | |
|----------------|-------------|--|-----|
| Tool | Part Number | Part Description | Qty |
| A | - | Bostik Pure Nickel Anti-Seize Compound | 1 |

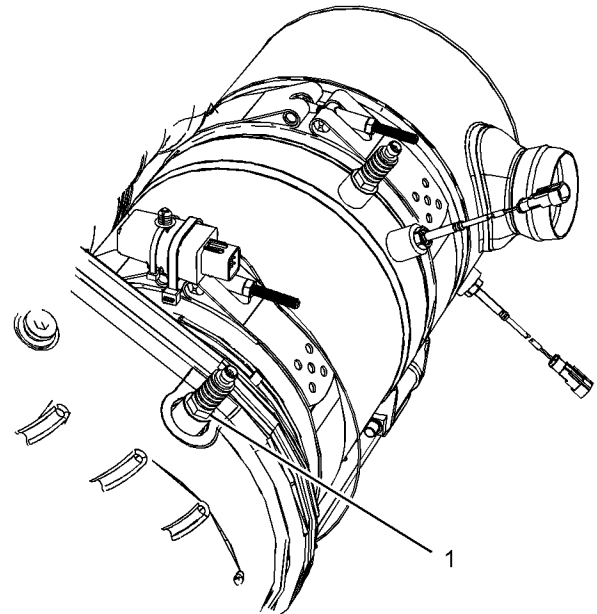


Illustration 110 g03729186
 Typical example

Note: Apply Tooling (A) to the sensors before the sensors are installed.

(1) Tighten the soot sensor antennas to the following torque.....45 N·m (33 lb ft)

Tighten the harness for the soot sensor antennas (not shown) to the following torque.....1.2 N·m (11 lb in)

i04285189

Speed/Timing Sensor

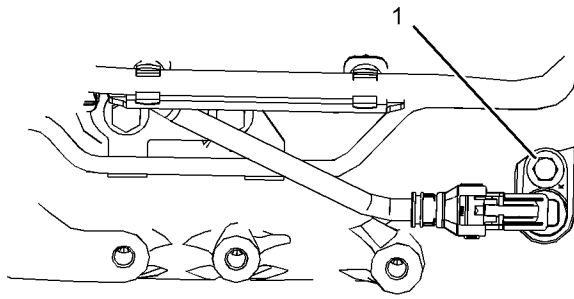


Illustration 111 g01854256
 Typical example

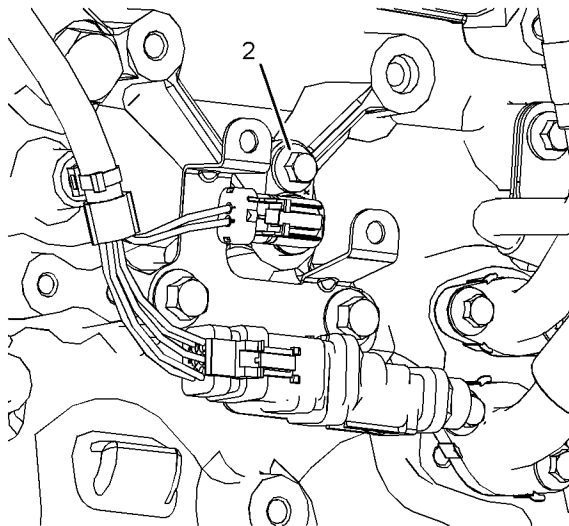


Illustration 112 g02150748
 Typical example

- (1) Tighten the bolt for the crankshaft position sensor to the following torque.....14 N·m (10 lb ft)
- (2) Tighten the bolt for the camshaft position sensor to the following torque.....14 N·m (10 lb ft)

i05848183

Electronic Control Module

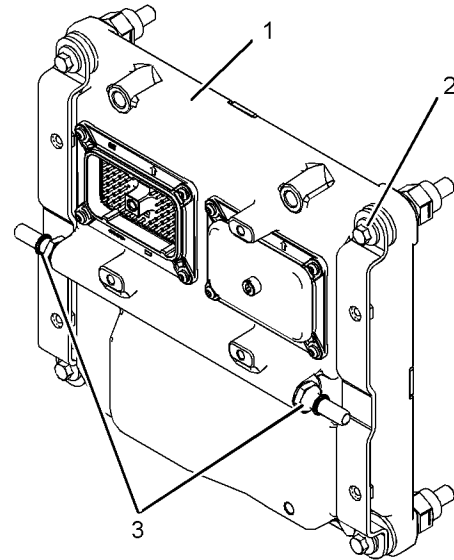


Illustration 113 g02465316
 Typical example

- (1) Electronic control module (ECM)
- (3) Fuel line connectors

Note: Some engines do not have a fuel supply to the electronic control module.

(2) Bolt

Tighten the four bolts for the ECM. Torque for the bolts.....22 N·m (16 lb ft)

i03918469

Glow Plugs

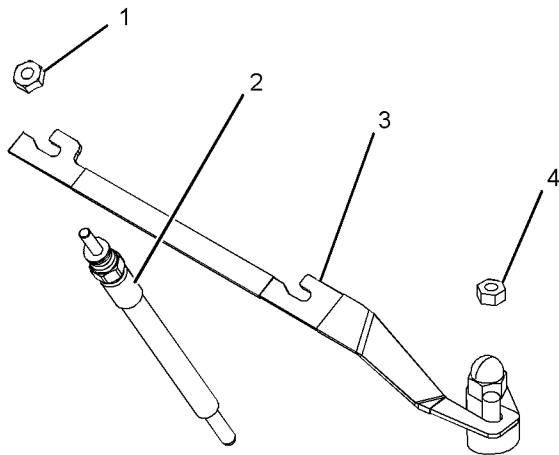


Illustration 114 g01861335

Typical example

Tighten the glow plugs (2) in the cylinder head to the following torque.....15 N·m (11 lb ft)

Tighten the nuts (1) for the bus bar (3) that is installed on top of the glow plugs to the following torque.
.....2 N·m (18 lb in)

Tighten the nut (4) for the isolator for the bus bar to the following torque.....6 N·m (53 lb in)

Voltage12 V or 24 V

i05805401

Air Compressor (Twin Cylinder Compressor)

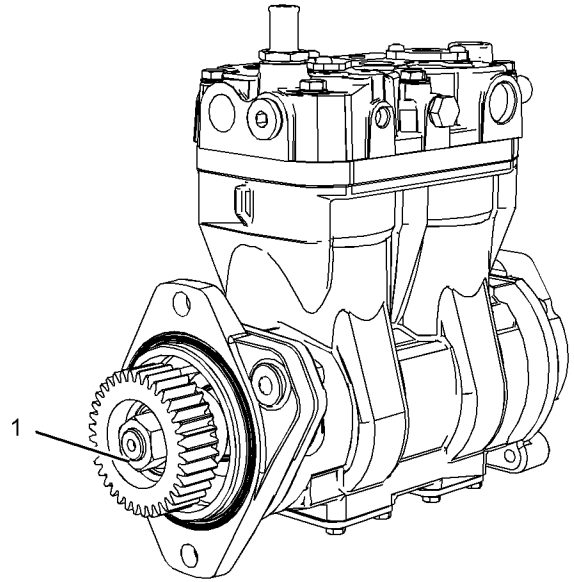


Illustration 115 g02148379

Typical example

(1) Tighten the nut to the following torque.120 N·m
(89 lb ft)

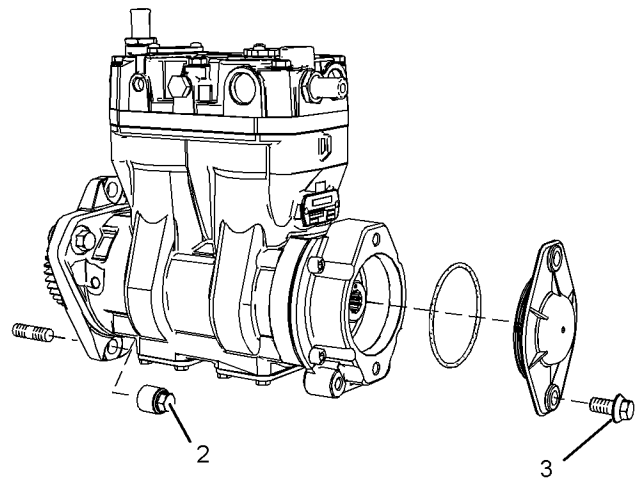


Illustration 116 g02148380

Typical example

(2) Tighten the nuts to the following torque.78 N·m
(58 lb ft)

(3) Tighten the bolts to the following torque.....44 N·m
(32 lb ft)

i05805460

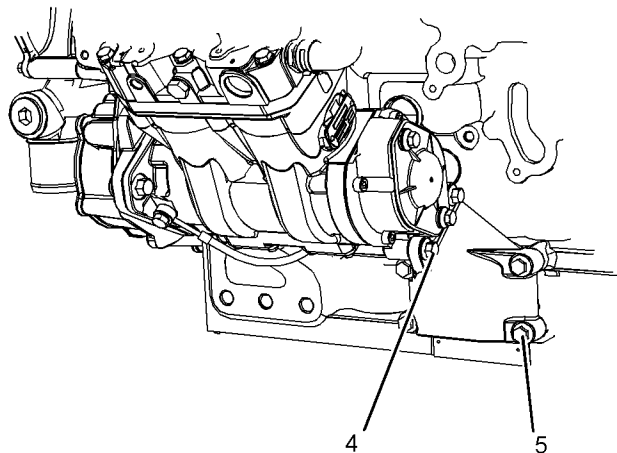


Illustration 117 g02148381

Typical example

(4) Tighten the bolts to the following torque.....22 N·m
(16 lb ft)

(5) Tighten the bolts to the following torque.....44 N·m
(32 lb ft)

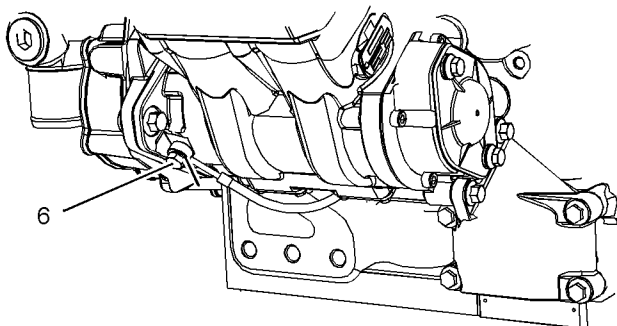


Illustration 118 g02148408

Typical example

(6) Tighten the banjo bolt to the following torque.
.....9 N·m (80 lb in)

For the correct procedure to install the air compressor, refer to Disassembly and Assembly, "Air Compressor - Remove and Install - Twin Cylinder Compressor".

Air Compressor (Single Cylinder)

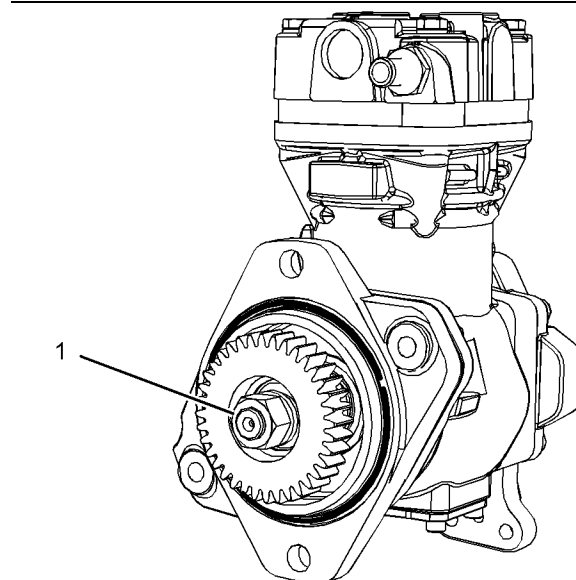


Illustration 119 g02148439

Typical example

(1) Tighten the nut to the following torque.120 N·m
(89 lb ft)

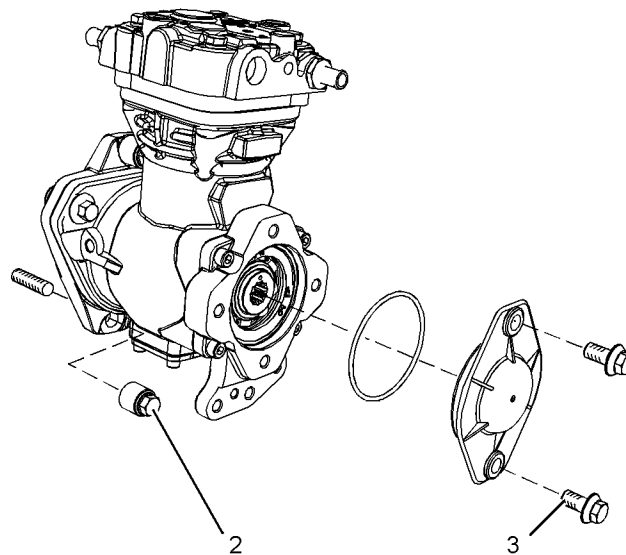


Illustration 120 g02148442

Typical example

(2) Tighten the nuts to the following torque.78 N·m
(58 lb ft)

(3) Tighten the bolts to the following torque.....44 N·m
(32 lb ft)

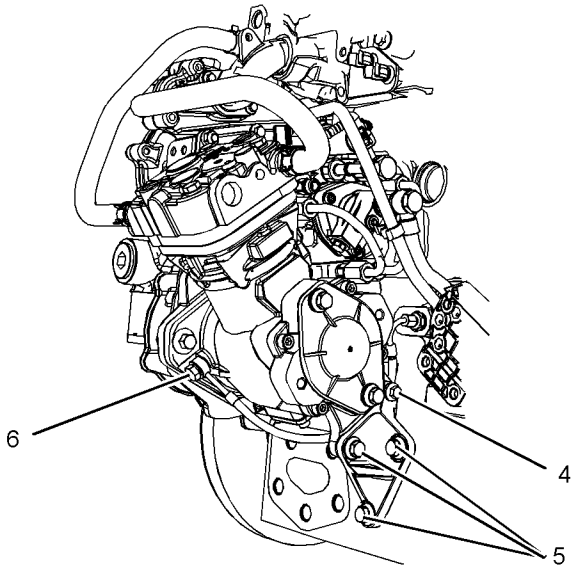


Illustration 121

g02148447

Typical example

(4) Tighten the bolts to the following torque.....22 N·m
(16 lb ft)

(5) Tighten the bolts to the following torque.....44 N·m
(32 lb ft)

(6) Tighten the banjo bolt to the following torque.
.....9 N·m (80 lb in)

For the correct procedure to install the air compressor, refer to Disassembly and Assembly, "Air Compressor - Remove and Install - Single Cylinder".

Index

A

| | |
|--|----|
| Accessory Drive..... | 39 |
| Accessory Drive (SAE “B”) | 38 |
| Air Compressor (Single Cylinder)..... | 53 |
| Air Compressor (Twin Cylinder Compressor) .. | 52 |
| Alternator | 43 |
| Alternator Bracket | 44 |
| The 12 V and 24 V Type 1 Alternators | 43 |
| Ammonia Sensor (If equipped)..... | 46 |
| Atmospheric Pressure Sensor..... | 47 |

B

| | |
|----------------------------|----|
| Balancer | 38 |
| Belt Tensioner..... | 42 |
| Boost Pressure Sensor..... | 46 |

C

| | |
|-------------------------------------|----|
| Camshaft | 25 |
| Camshaft Bearings..... | 26 |
| Connecting Rod..... | 35 |
| Connecting Rod Bearing Journal..... | 34 |
| Coolant Temperature Sensor..... | 45 |
| Crankcase Breather..... | 30 |
| Crankshaft | 32 |
| Crankshaft Pulley | 42 |
| Crankshaft Seals | 33 |
| Cylinder Block..... | 31 |
| Cylinder Head..... | 12 |
| Cylinder Head Valves | 11 |

D

| | |
|---------------------------------|----|
| Diesel Exhaust Fluid Pump | 20 |
| Diesel Exhaust Fluid Tank | 20 |

E

| | |
|---------------------------------|----|
| Electronic Control Module | 51 |
| Engine Design | 4 |
| Engine Lifting Bracket..... | 43 |
| Engine Oil Cooler..... | 27 |
| Engine Oil Filter Base | 27 |
| Engine Oil Pan..... | 29 |
| Front sealant | 29 |
| Rear sealant..... | 29 |
| Engine Oil Pressure..... | 28 |

| | |
|----------------------------------|----|
| Engine Oil Pressure Sensor | 46 |
| Engine Oil Pump..... | 28 |
| Exhaust Cooler (NRS)..... | 21 |
| Exhaust Gas Valve (NRS) | 18 |
| Exhaust Manifold..... | 24 |

F

| | |
|--|----|
| Fan Drive | 43 |
| Flexible Exhaust Pipe | 25 |
| Flywheel | 41 |
| Flywheel Housing | 41 |
| Front Housing and Covers..... | 39 |
| Fuel Filter Base (Primary Fuel Filter Base)..... | 8 |
| Fuel Filter Base (Single Secondary Fuel Filter Base)..... | 7 |
| Fuel Filter Base (Twin Secondary Fuel Filter Base) | 7 |
| Fuel Injection Lines..... | 4 |
| Fuel Injection Pump..... | 5 |
| Fuel Injectors | 6 |
| Fuel Manifold (Rail)..... | 8 |
| Fuel Transfer Pump..... | 6 |

G

| | |
|-------------------------|----|
| Gear Group (Front)..... | 40 |
| Glow Plugs | 51 |

I

| | |
|--|----|
| Important Safety Information | 2 |
| Injector (Diesel Exhaust Fluid)..... | 19 |
| Inlet Manifold Temperature Sensor..... | 47 |

L

| | |
|-------------------|---|
| Lifter Group..... | 9 |
|-------------------|---|

M

| | |
|--------------------------------------|----|
| Main Bearing Journal..... | 34 |
| The shell for the main bearings..... | 34 |
| Manifold (Diesel Exhaust Fluid)..... | 19 |

N

| | |
|-----------------------------|----|
| Nitrogen Oxide Sensor | 45 |
|-----------------------------|----|

P

| | |
|--|----|
| Piston and Rings | 36 |
| Piston | 37 |
| Piston Cooling Jet..... | 37 |
| Piston Cooling Jet Alignment..... | 37 |
| Pressure Sensor (NOx Reduction System)..... | 49 |
| Pressure Sensor (NOx Reduction System) (Differential Pressure Sensor) | 49 |

R

| | |
|------------------------------|----|
| Refrigerant Compressor | 42 |
| Rocker Shaft..... | 9 |

S

| | |
|--|----|
| Solenoid Valve (DEF Heater Coolant)..... | 21 |
| Soot Antenna..... | 50 |
| Specifications Section | 4 |
| Speed/Timing Sensor | 50 |
| Starter Motor..... | 44 |
| 12 V Starting Motor 3 kW, 4 kW, and 24 V Starting Motor 4.5 kW..... | 45 |
| 24 V Starting Motor 5.5 kW | 44 |

T

| | |
|---|----|
| Table of Contents..... | 3 |
| Temperature Sensor (DOC Inlet)..... | 48 |
| Temperature Sensor (DPF Inlet)..... | 48 |
| Temperature Sensor (Exhaust) (Selective Catalytic Reduction (SCR) Temperature Sensor) | 48 |
| Temperature Sensor (NOx Reduction System)..... | 49 |
| Turbocharger (Series Turbochargers)..... | 16 |
| Turbocharger (Single Turbocharger)..... | 14 |

V

| | |
|----------------------------|----|
| Valve Mechanism Cover..... | 11 |
|----------------------------|----|

W

| | |
|--|----|
| Water Pump..... | 31 |
| Water Temperature Regulator and Housing | 30 |

