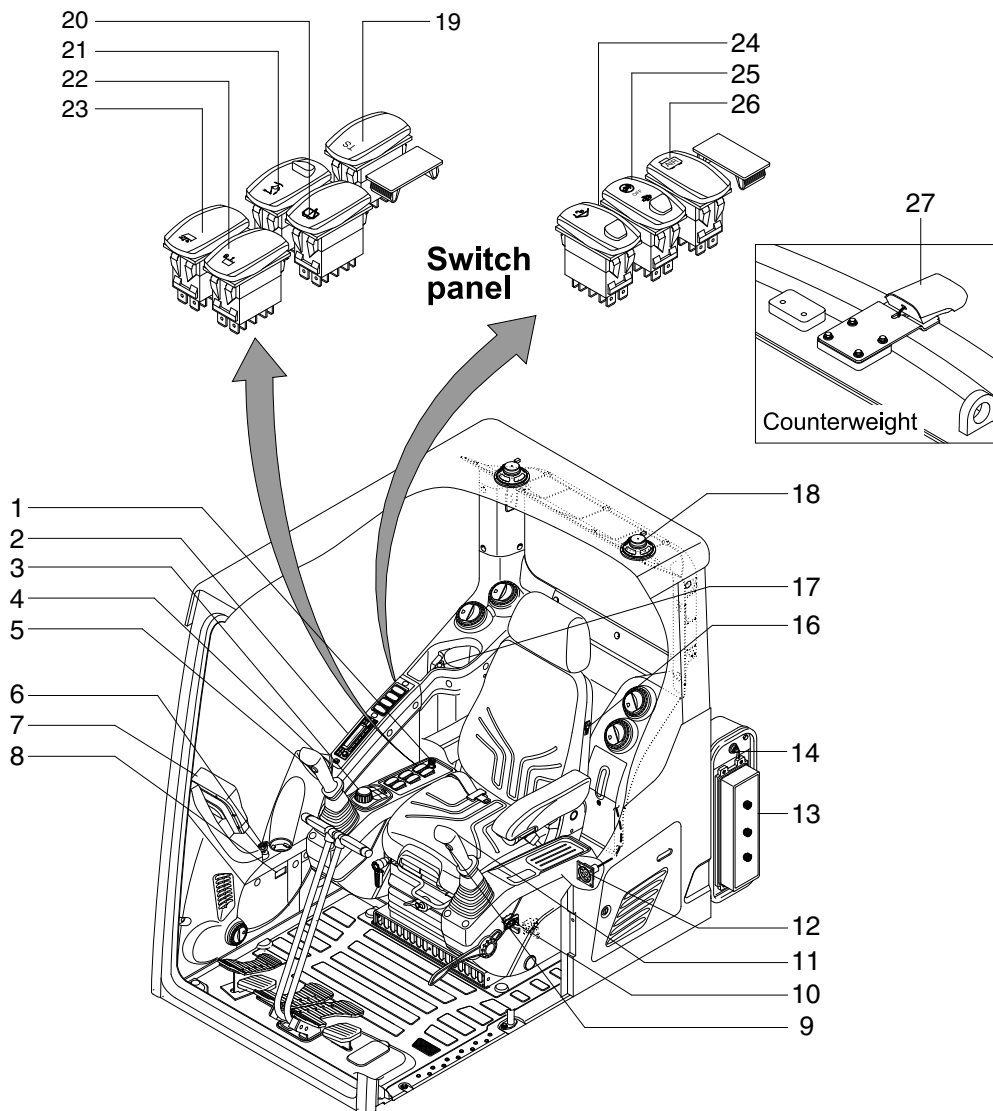


SECTION 4 ELECTRICAL SYSTEM

Group 1 Component Location	4-1
Group 2 Electrical Circuit	4-3
Group 3 Electrical Component Specification	4-23
Group 4 Connectors	4-36

GROUP 1 COMPONENT LOCATION

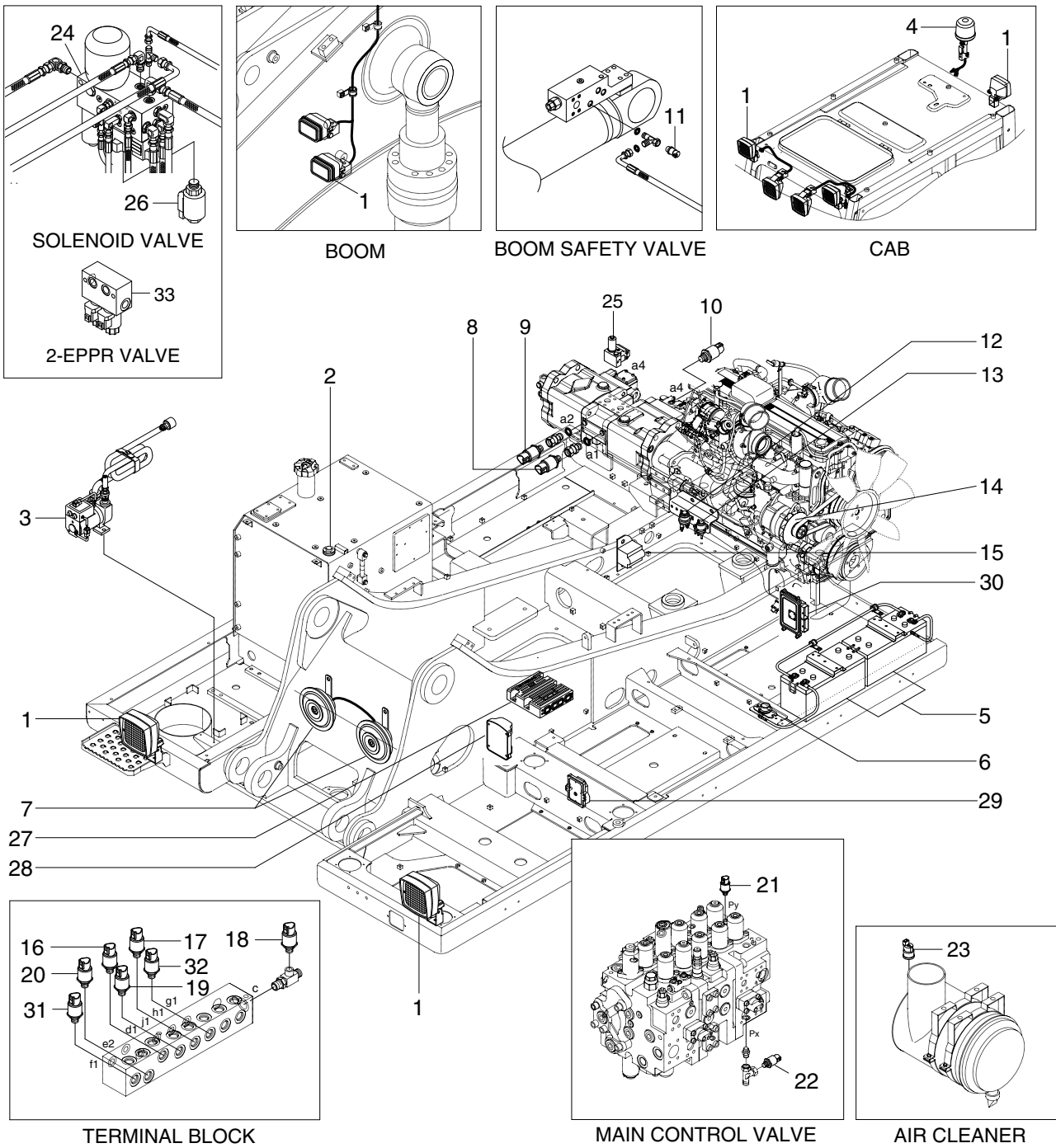
1. LOCATION 1



380A4EL01

- | | | |
|----------------------------|---------------------------------|-----------------------------------|
| 1 Cigar lighter | 10 Emergency engine stop switch | 20 Lower wiper & washer switch |
| 2 Radio & USB player | 11 One touch decel switch | 21 Boom floating switch |
| 3 Jod dial module | 12 RS232 & J1939 service socket | 22 Swing lock switch |
| 4 Horn switch | 13 Fuse & relay box | 23 Free/fine swing switch |
| 5 Cluster | 14 Master switch | 24 Quick coupler switch |
| 6 Breaker operation switch | 16 Seat heater switch | 25 Exhaust system cleaning switch |
| 7 Starting switch | 17 Service socket | 26 Air compressor switch |
| 8 Service meter | 18 Speaker | 27 Rear view camera |
| 9 Power max switch | 19 Travel straight switch | |

2. LOCATION 2



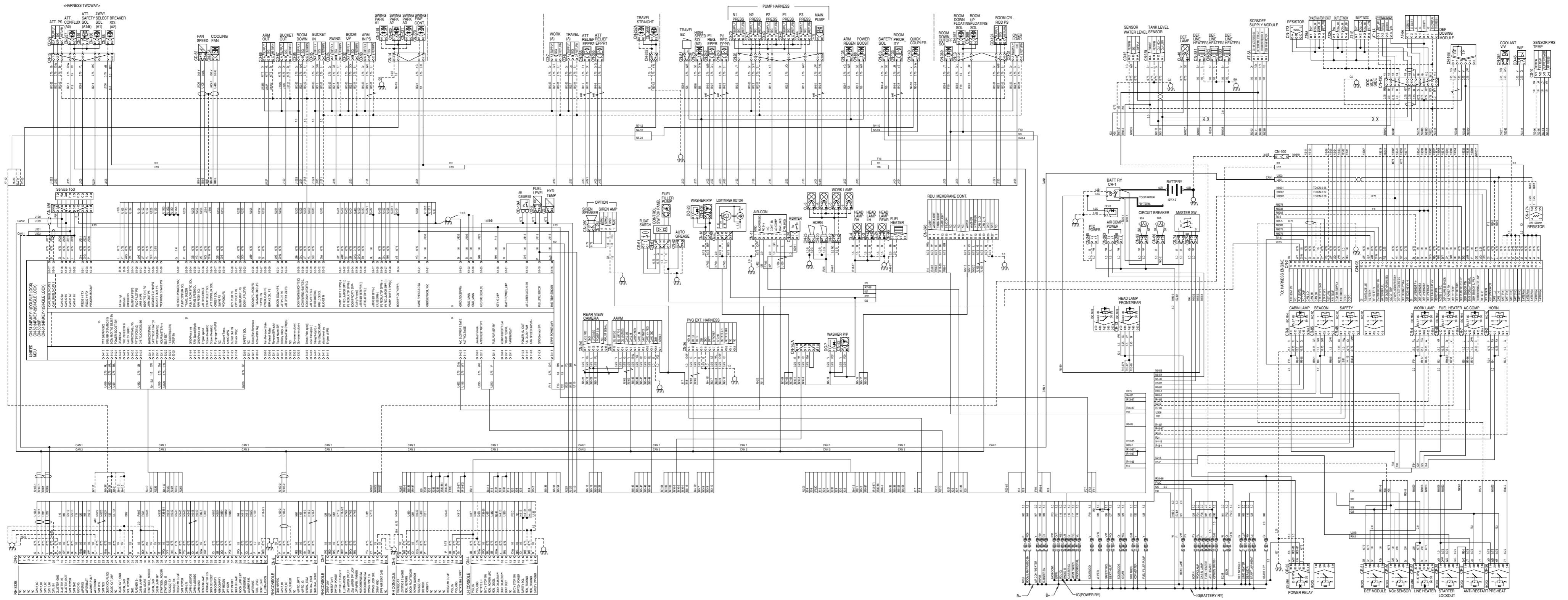
- | | | | | | |
|----|--------------------------|----|---------------------------|----|----------------------------|
| 1 | Lamp | 12 | Start relay | 23 | Air cleaner sensor |
| 2 | Fuel sender | 13 | Heater relay | 24 | 4 cartridge valve |
| 3 | Fuel filler pump | 14 | Alternator | 25 | Pump EPPR valve |
| 4 | Beacon lamp | 15 | Travel alarm buzzer | 26 | Boom priority EPPR valve |
| 5 | Battery | 16 | Arm in pressure sensor | 27 | United MCU |
| 6 | Battery relay | 17 | Boom up pressure sensor | 28 | RMCU assy |
| 7 | Horn | 18 | Swing pressure sensor | 29 | RDU assy |
| 8 | P1 pressure sensor | 19 | Boom down pressure sensor | 30 | View controller |
| 9 | P2 pressure sensor | 20 | Arm out pressure sensor | 31 | Bucket in pressure sensor |
| 10 | EPPR pressure sensor | 21 | Attach pressure sensor | 32 | Bucket out pressure sensor |
| 11 | Overload pressure sensor | 22 | Travel pressure sensor | 33 | 2 EPPR cartridge valve |

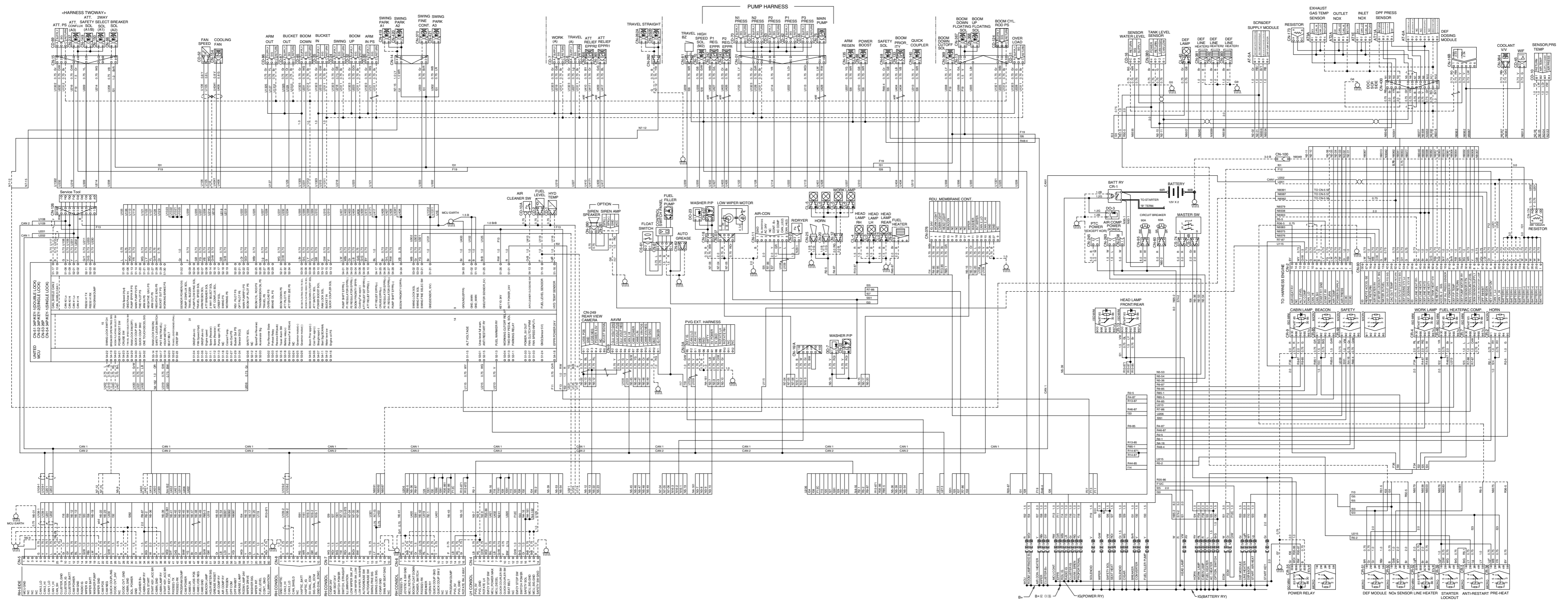
380A4EL02

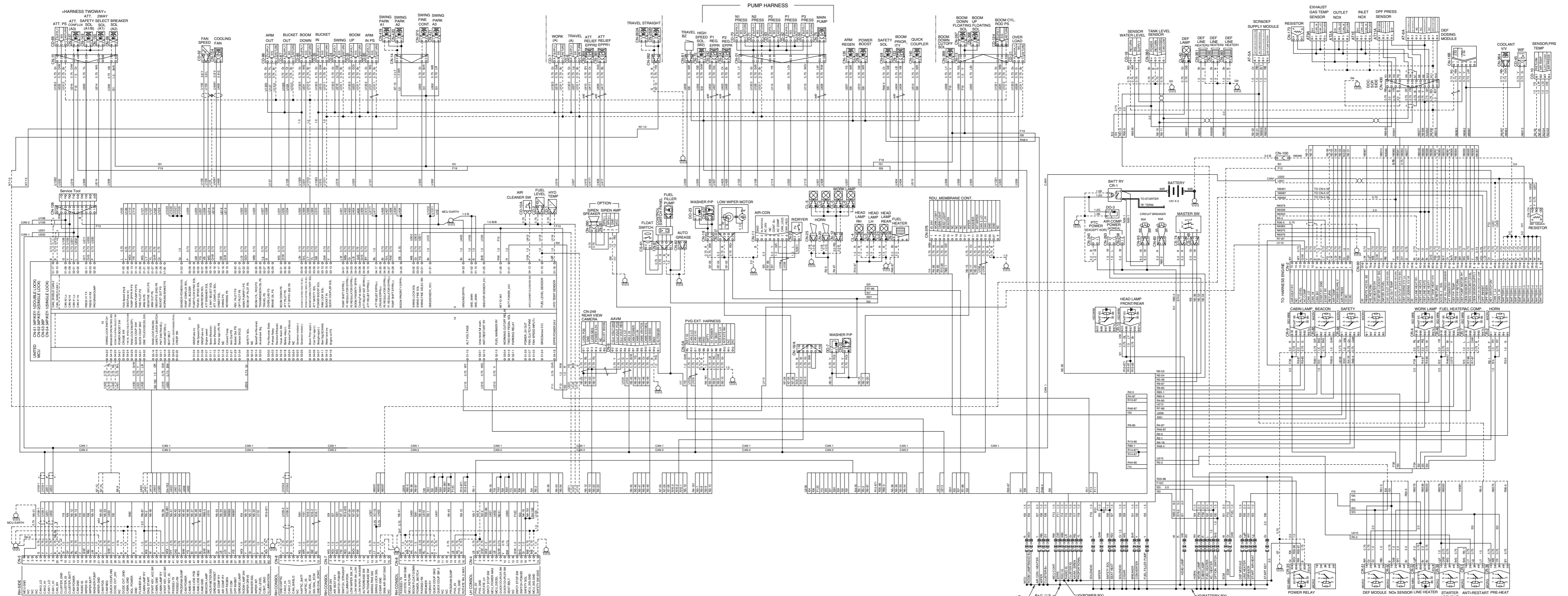
GROUP 2 HYDRAULIC CIRCUIT

ELECTRICAL CIRCUIT (1/3)

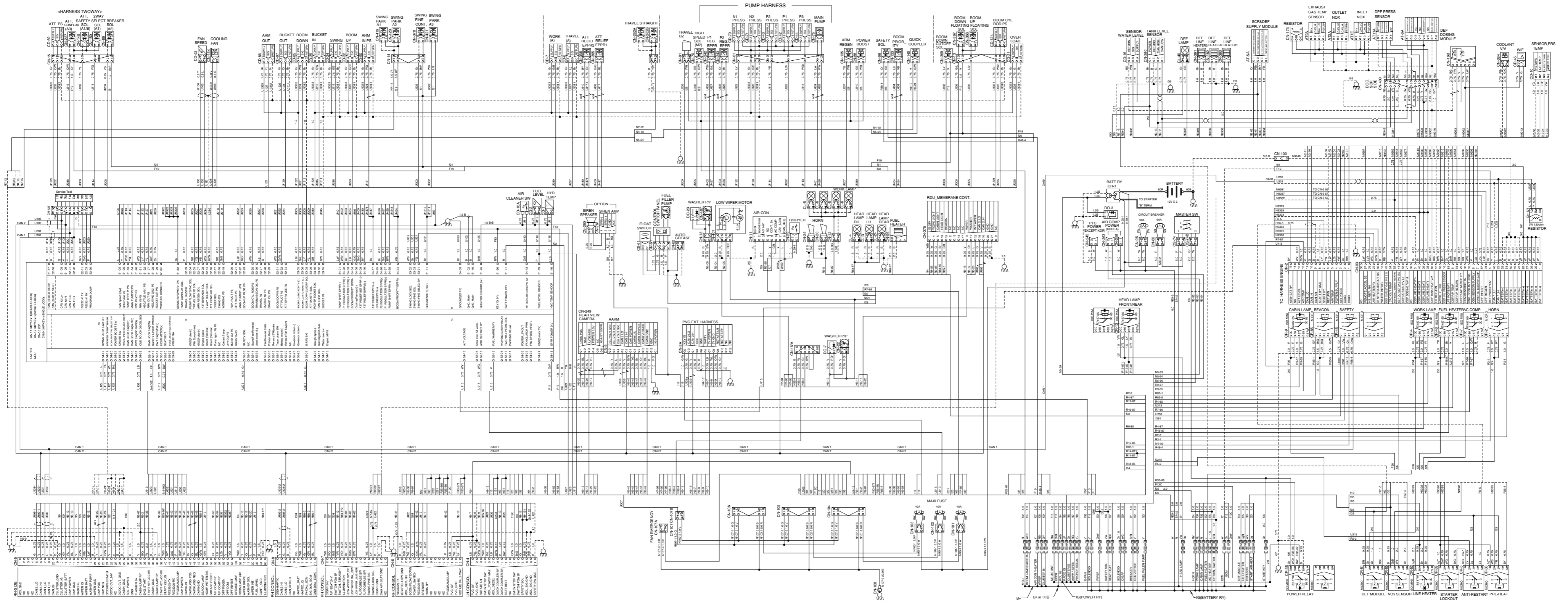
MACHINE SERIAL NO. : -#0162

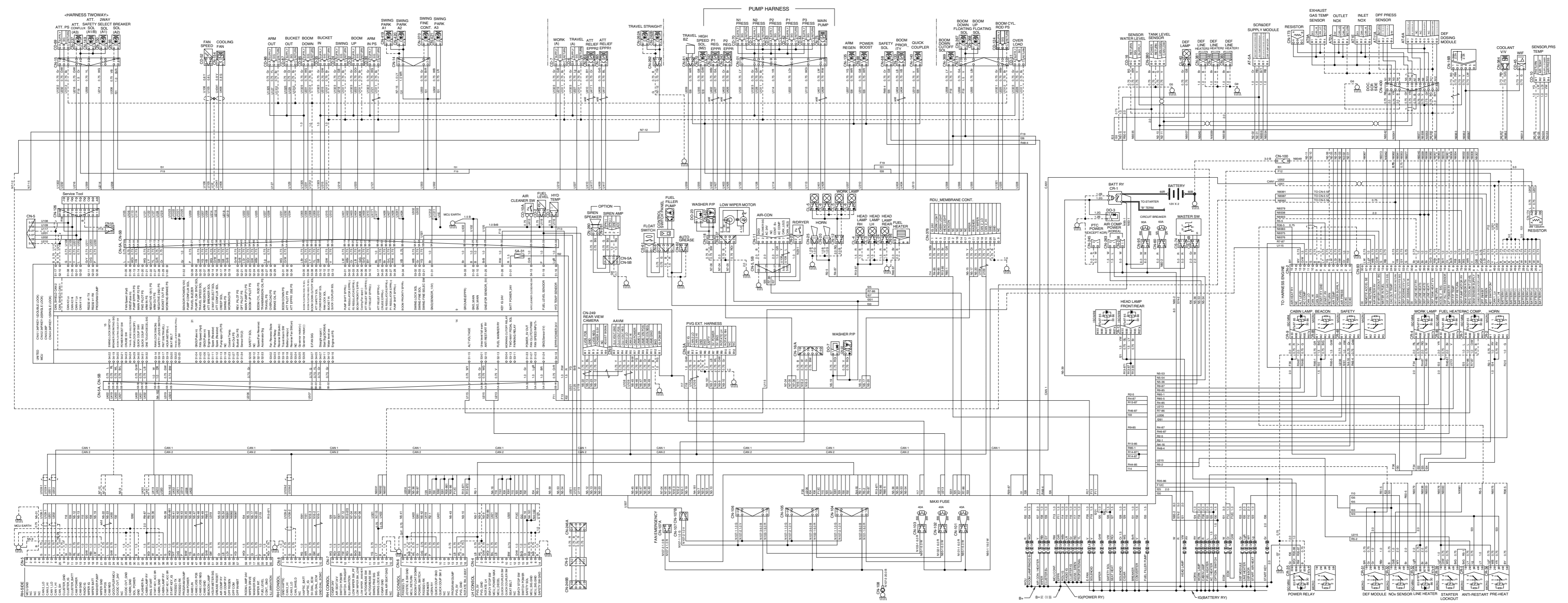




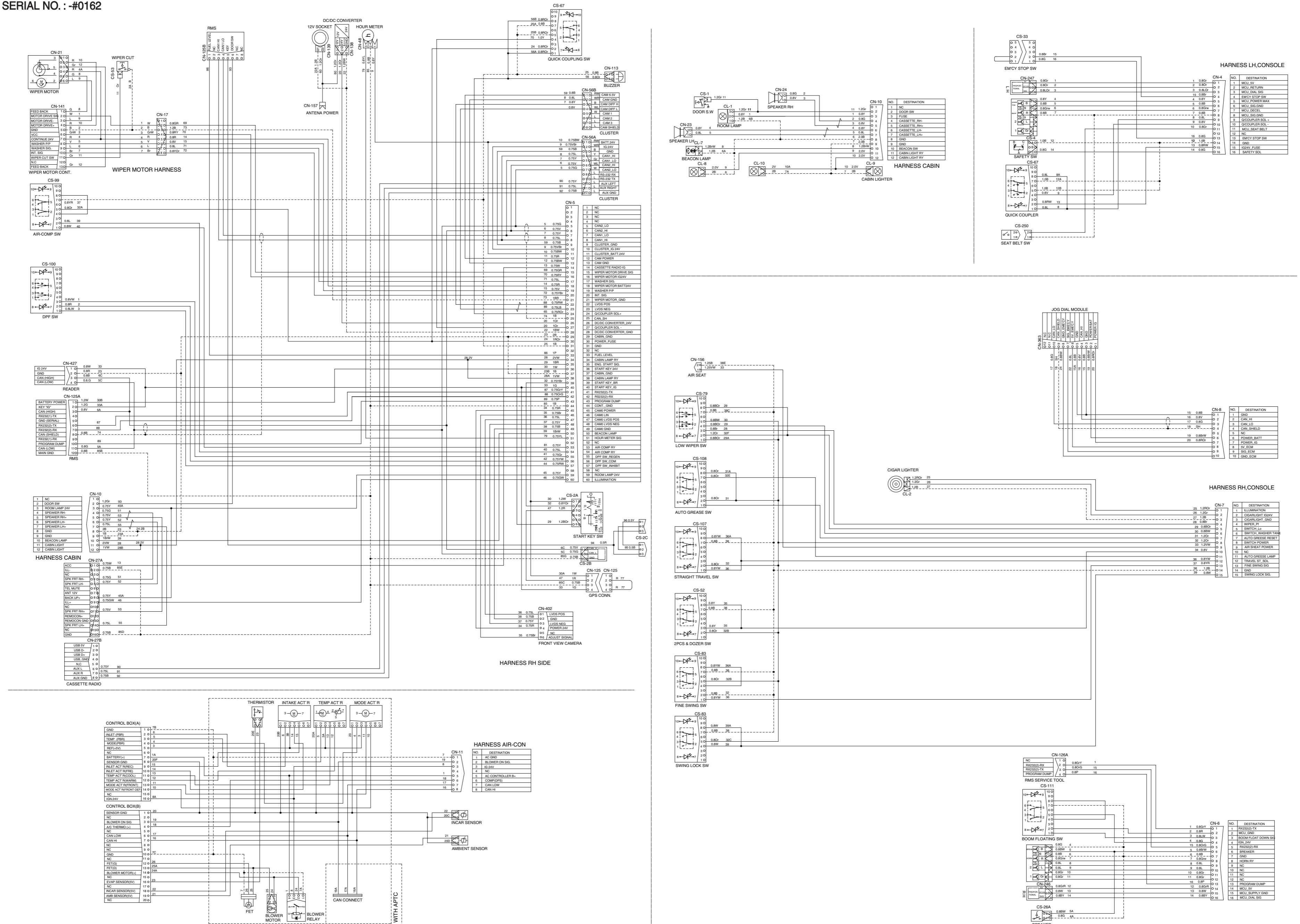


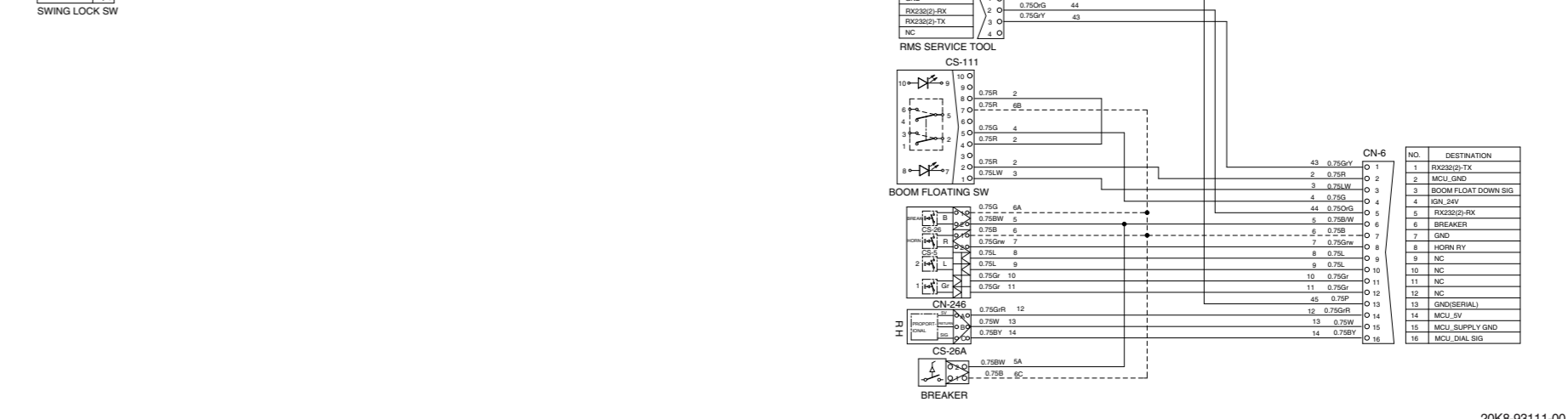
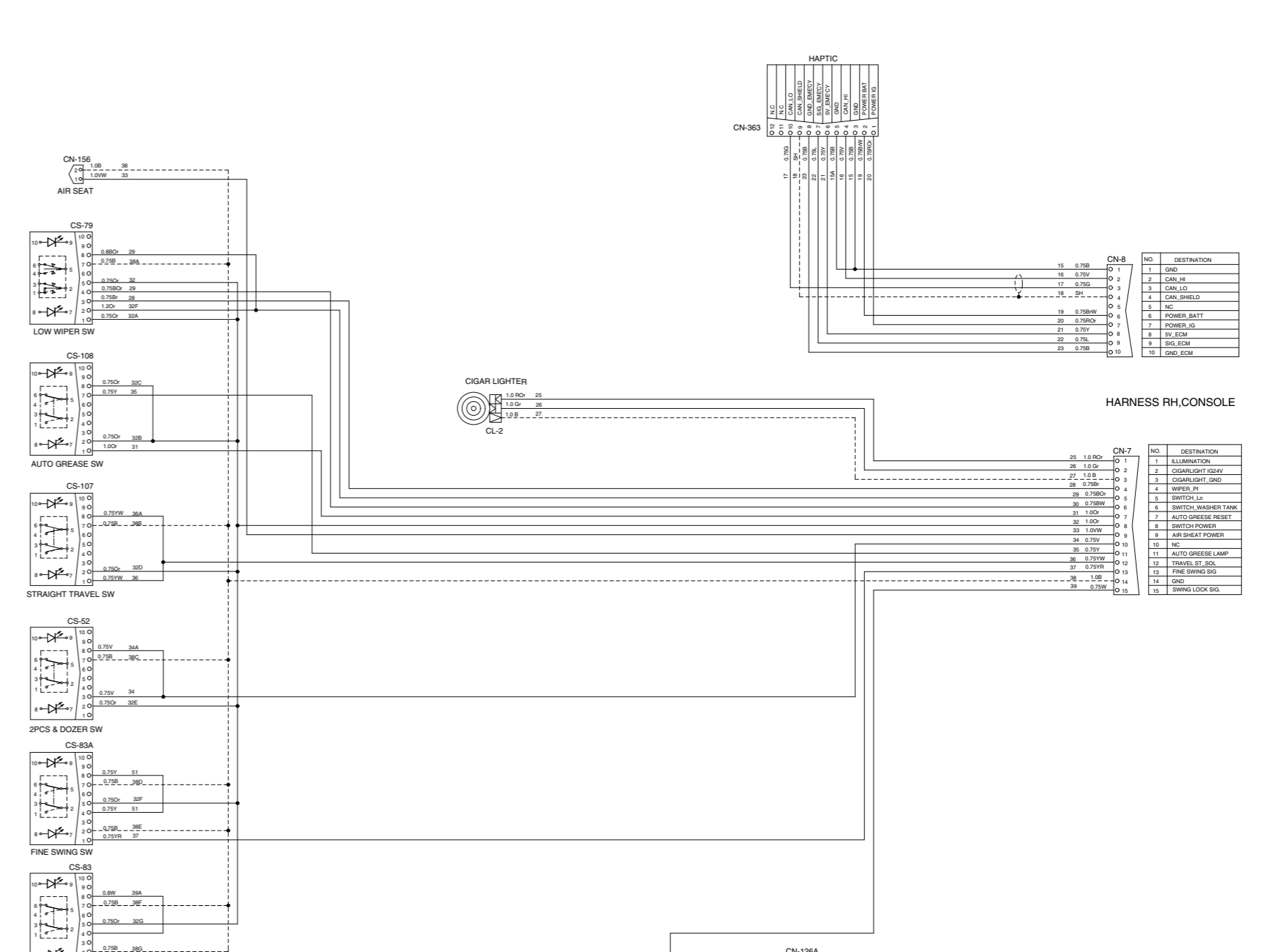
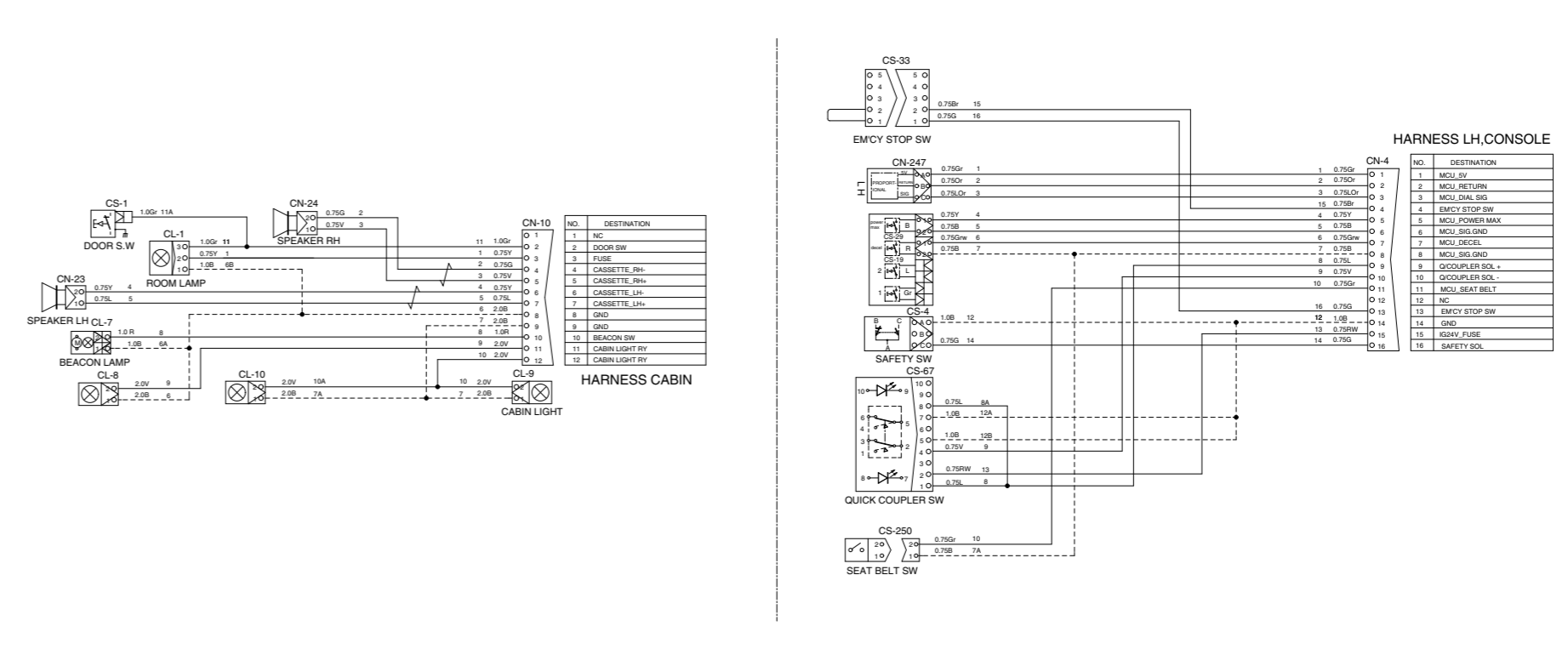
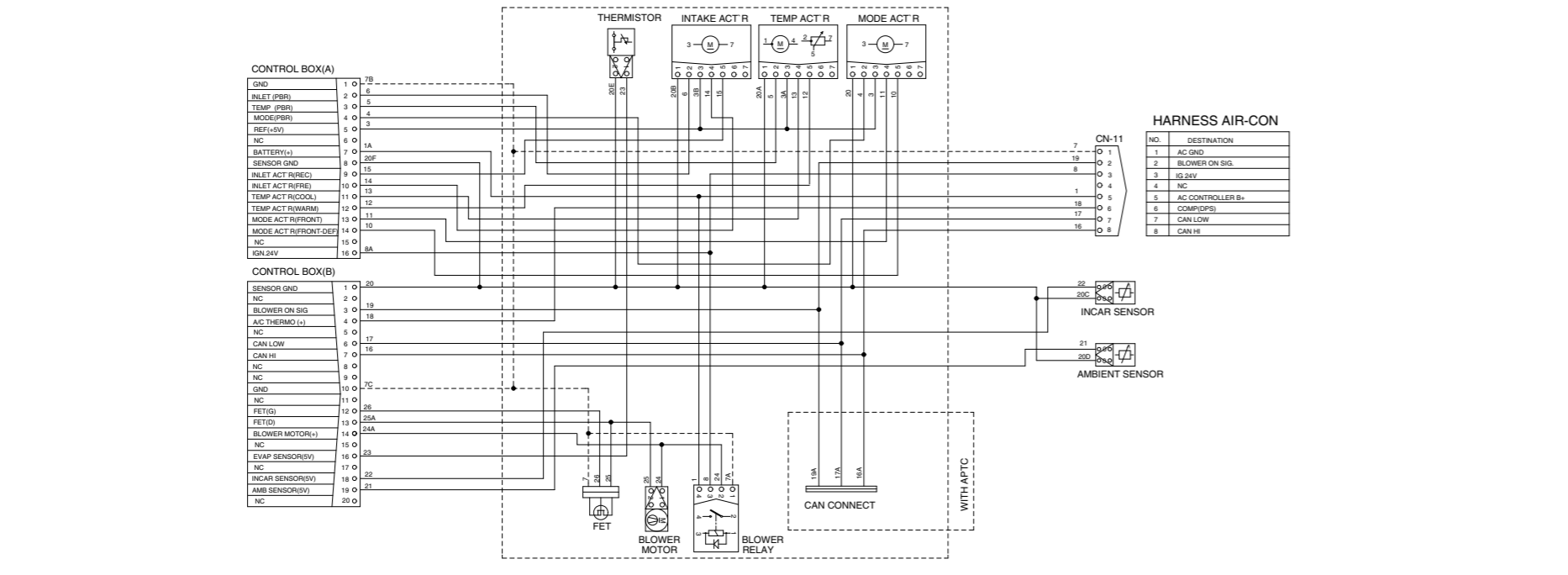
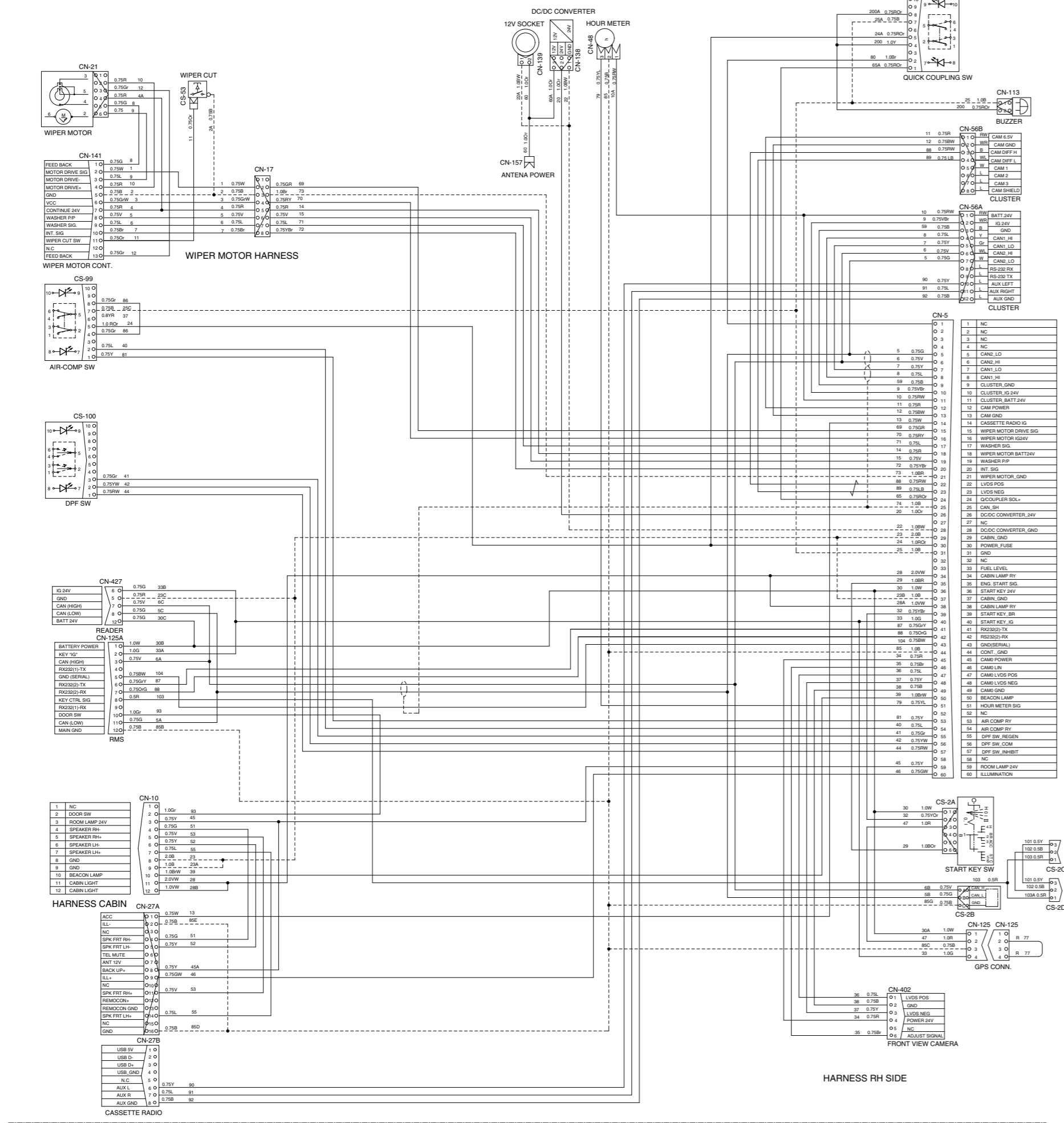
· ELECTRICAL CIRCUIT (1/3. OPTION)
 - MACHINE SERIAL NO. : #0163-#0204



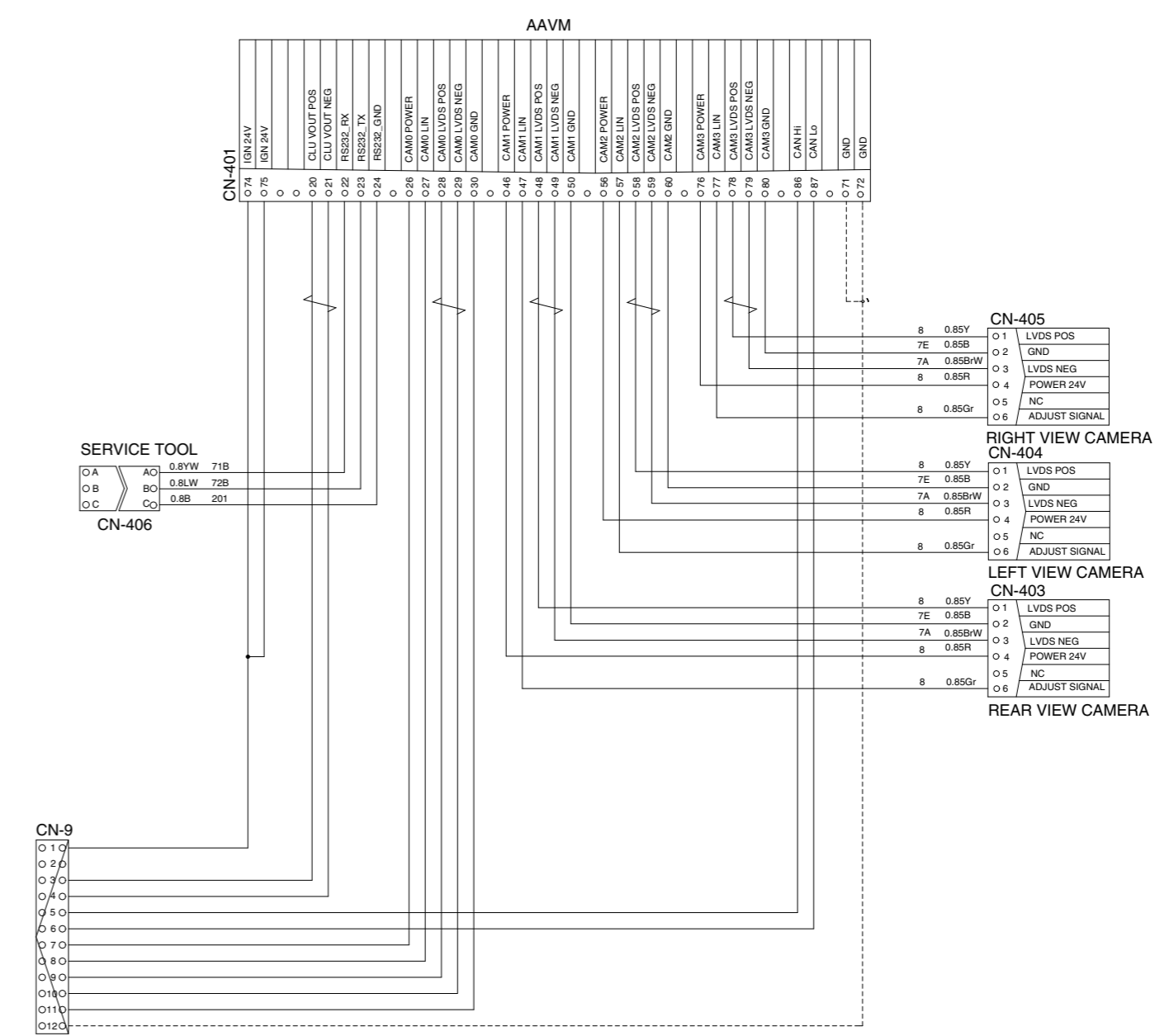
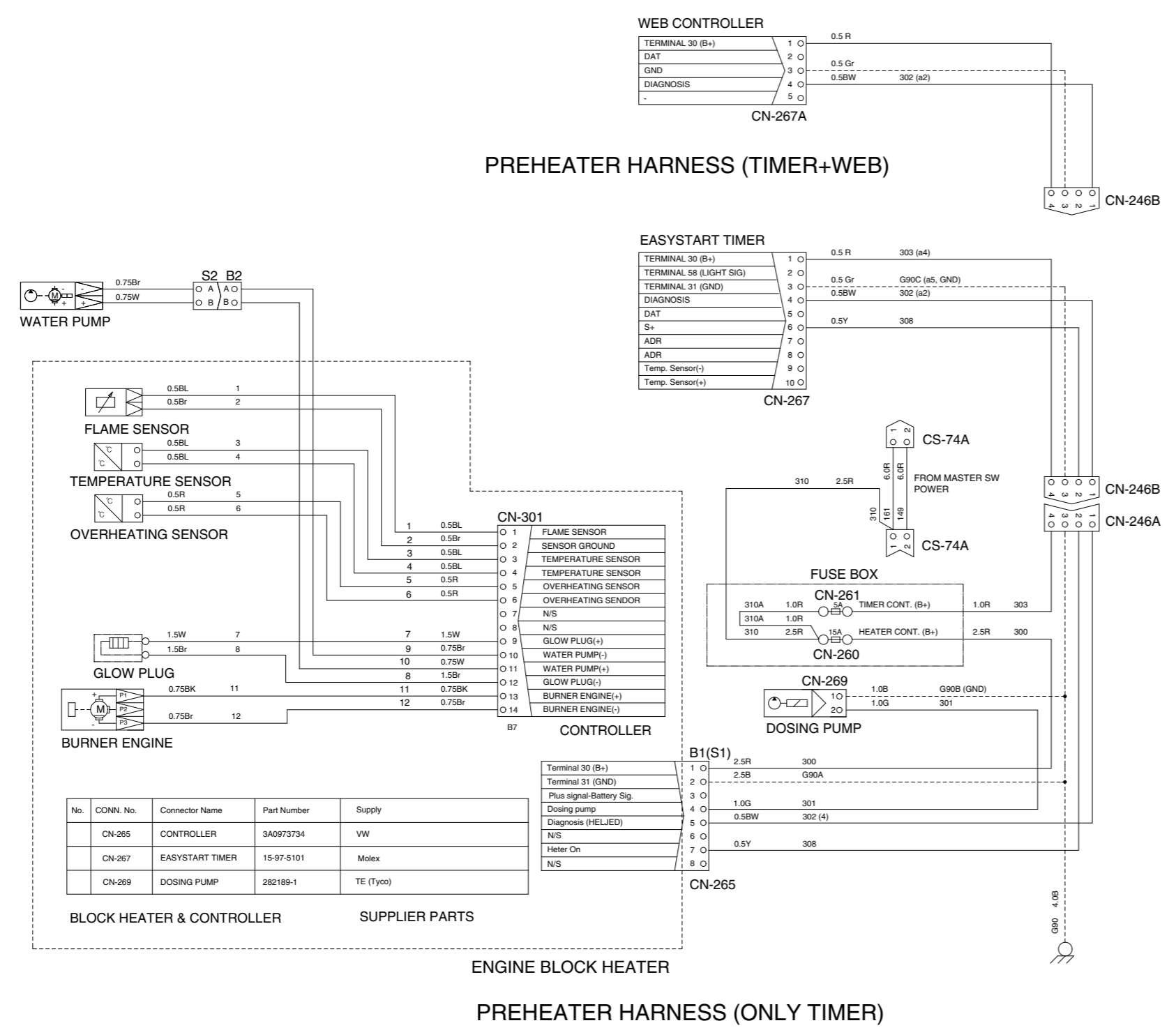
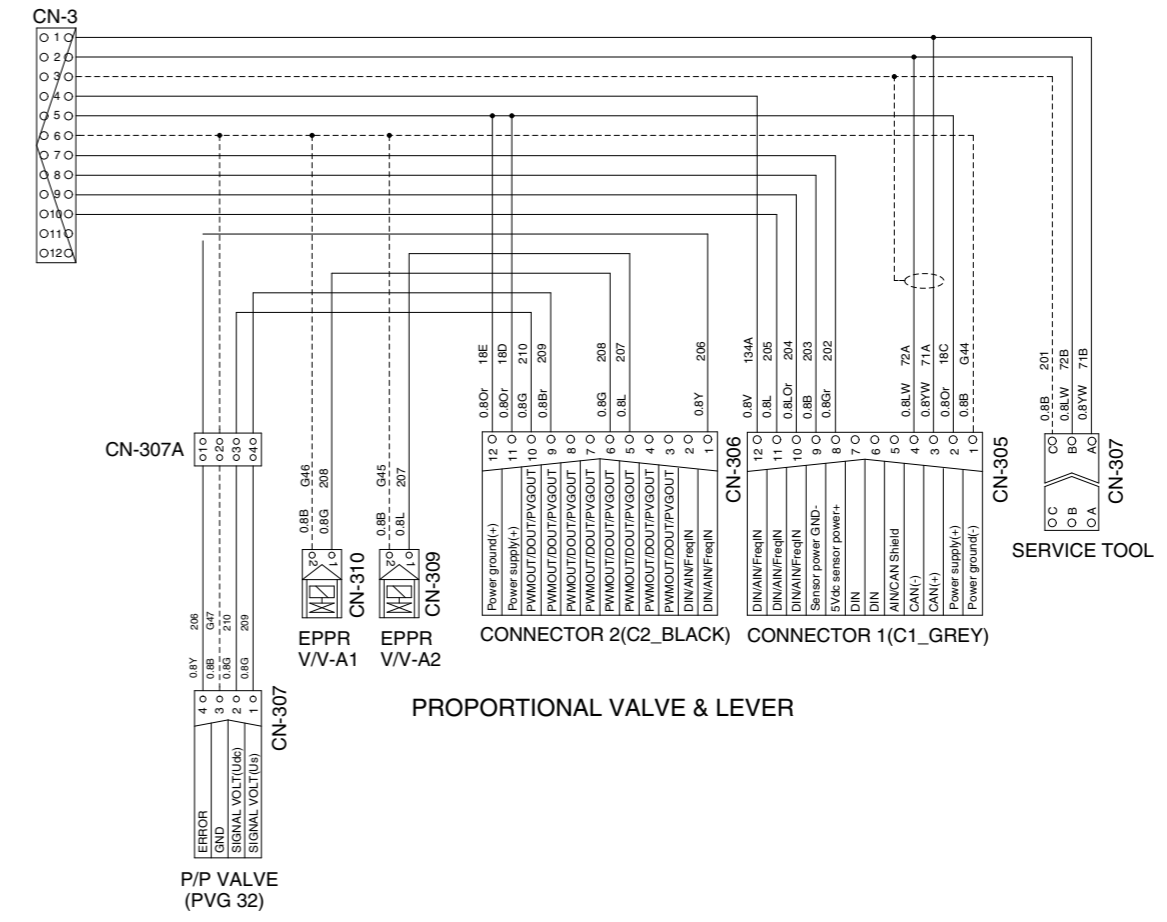
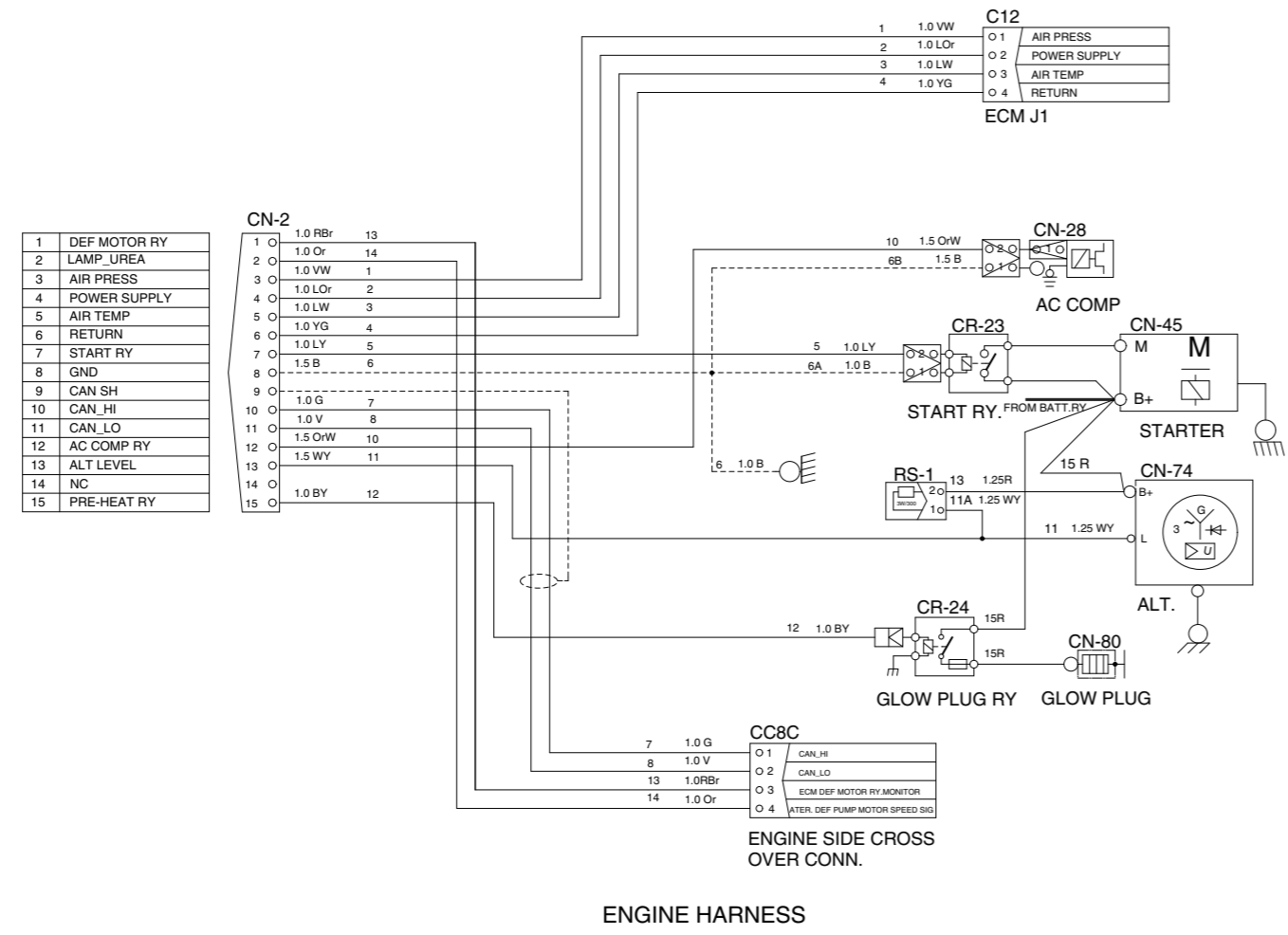


ELECTRICAL CIRCUIT (2/3)
 - MACHINE SERIAL NO. :-#0162



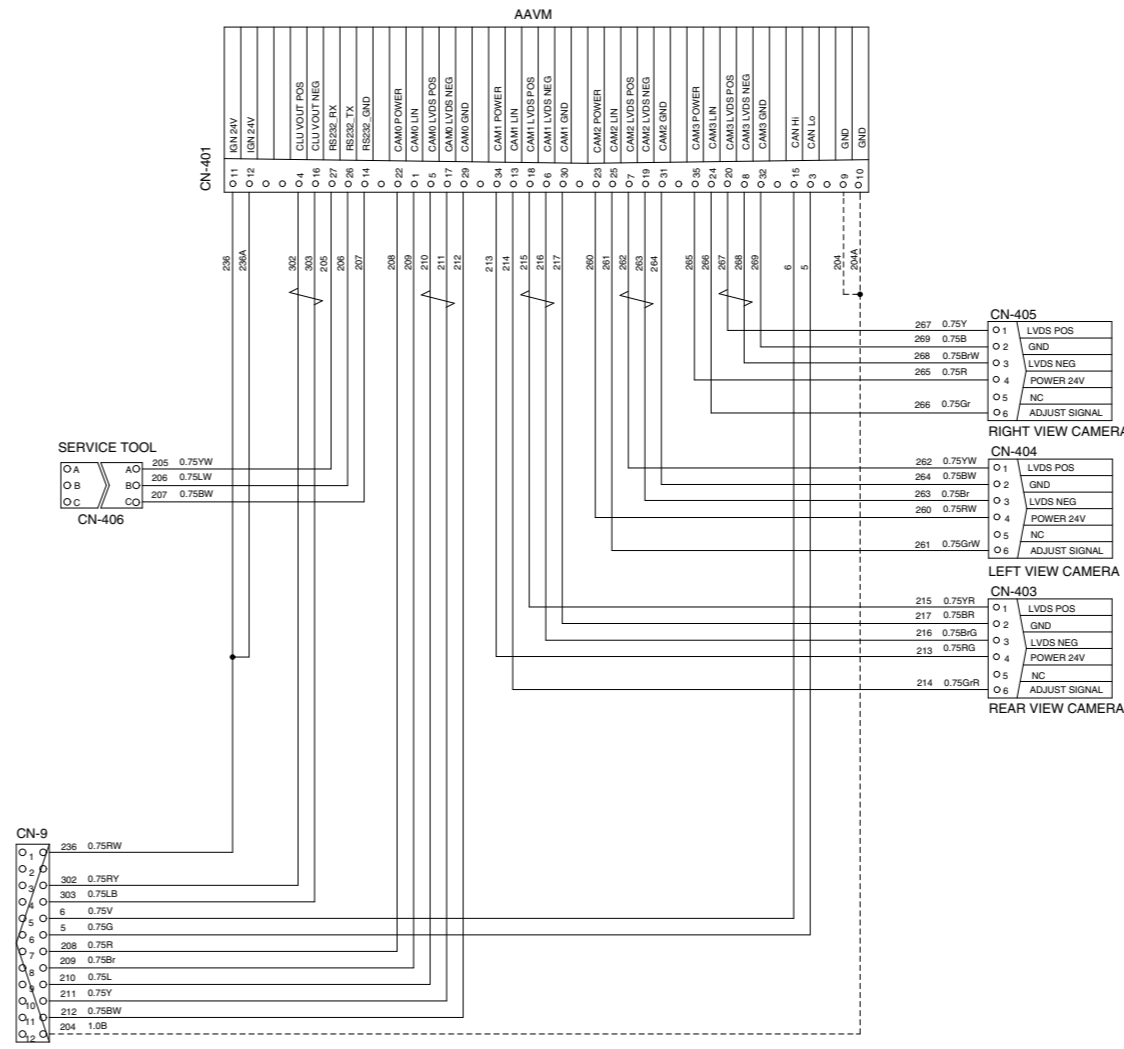
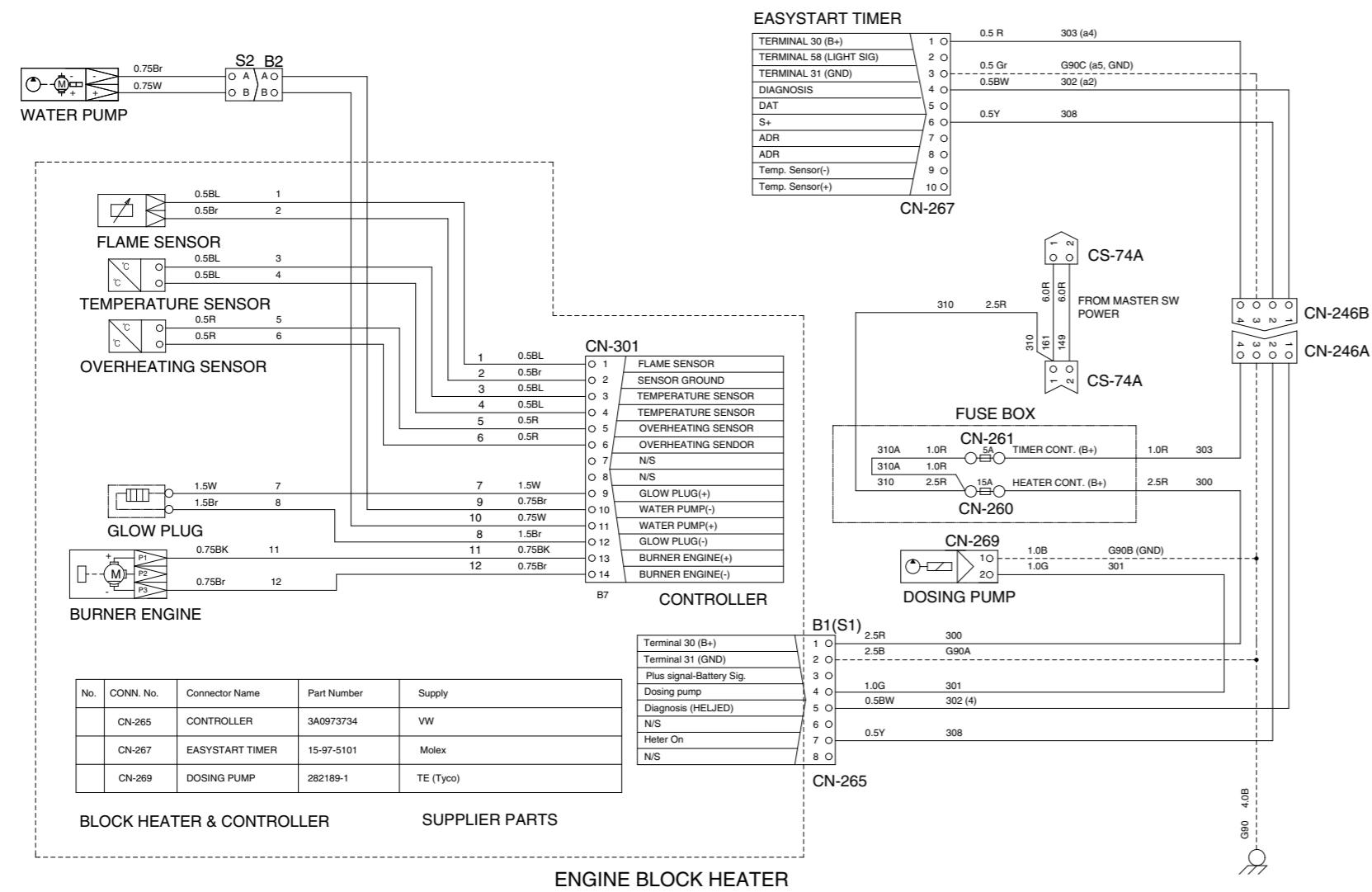
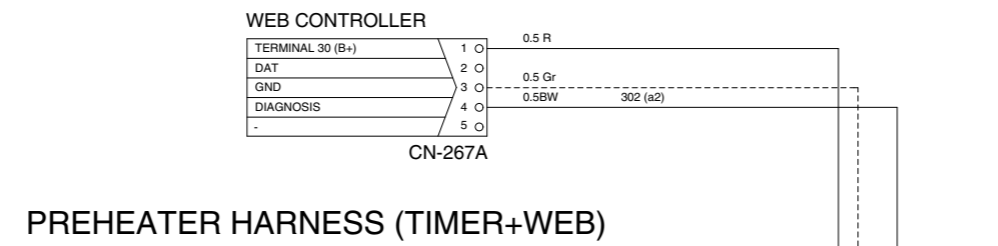
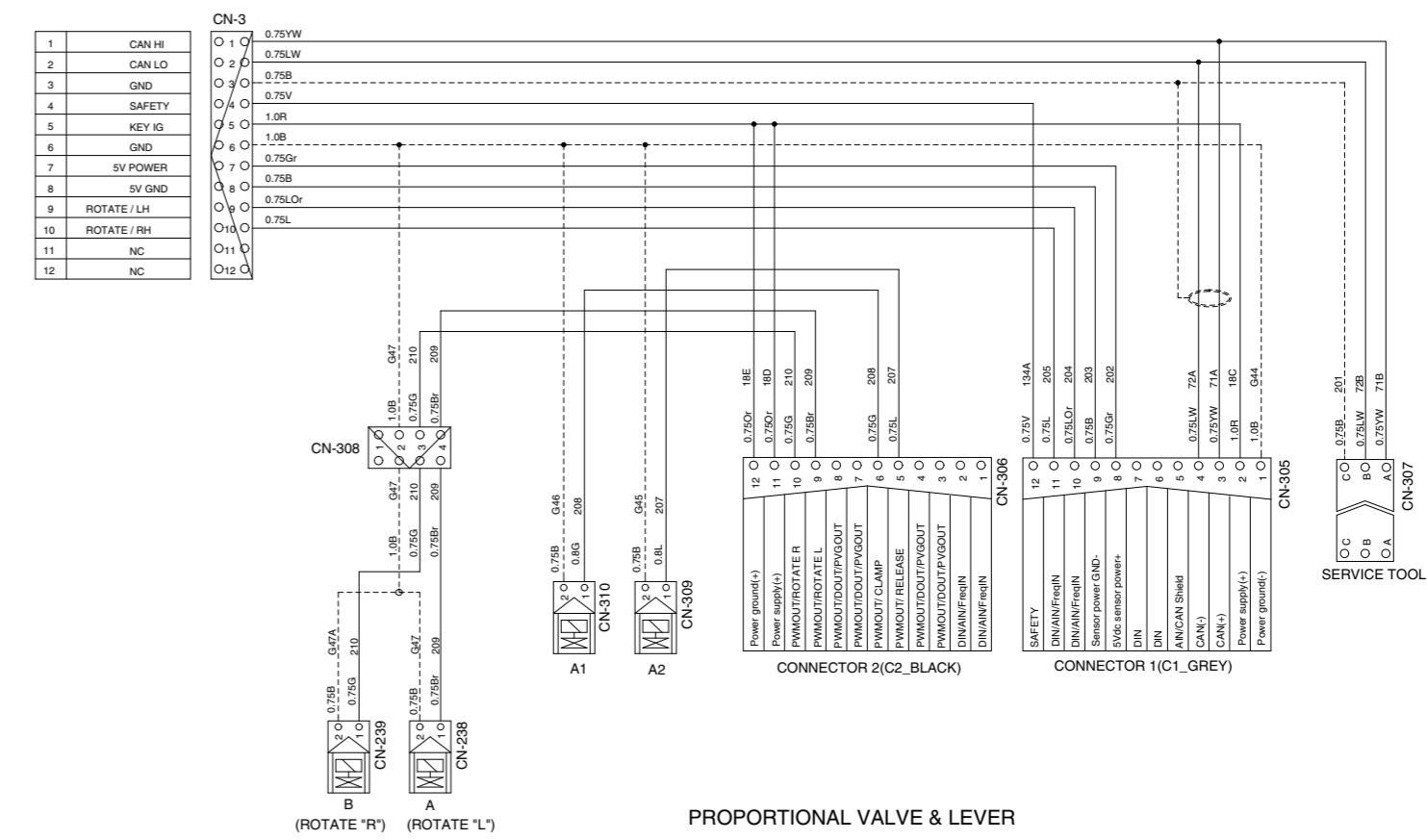
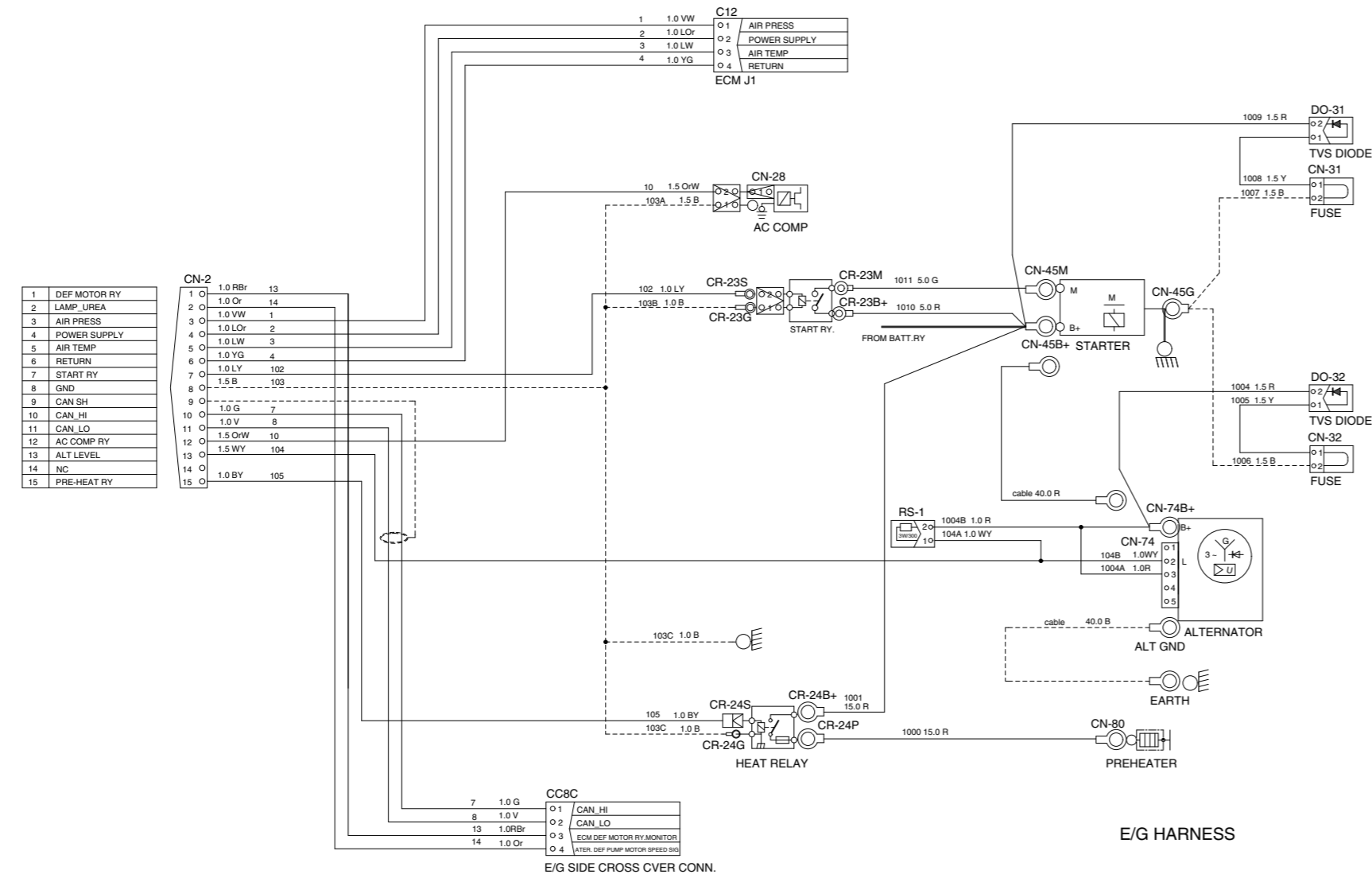


ELECTRICAL CIRCUIT (3/3)
 - MACHINE SERIAL NO. : -#0162



ELECTRICAL CIRCUIT (3/3, OPTION)

- MACHINE SERIAL NO. : #0154-



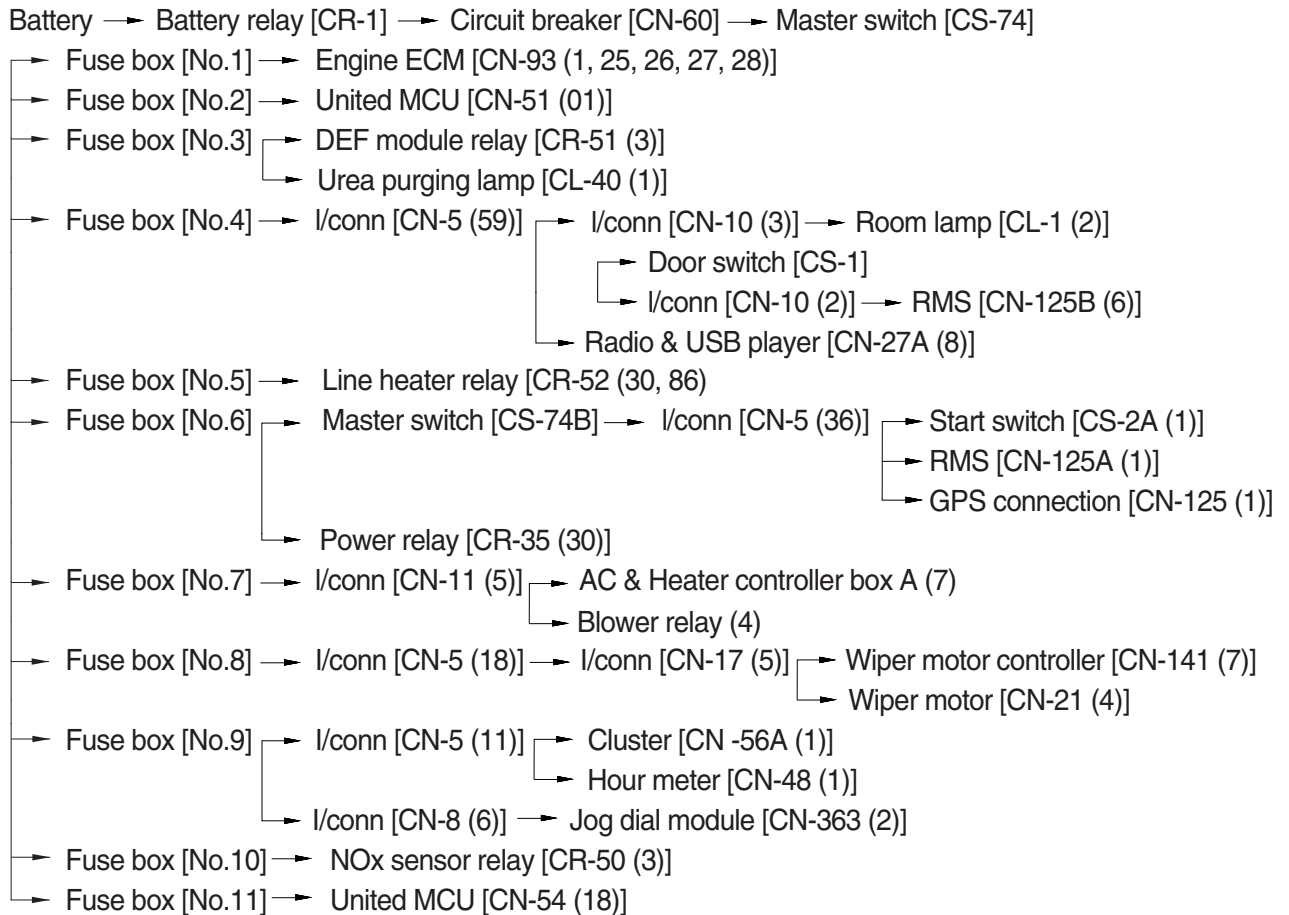
MEMORANDUM

1. POWER CIRCUIT (MACHINE SERIAL NO. : -#0162)

The negative terminal of battery is grounded to the machine chassis directly.

When the start switch is in the OFF position, the current flows from the positive battery terminal as shown below.

1) OPERATING FLOW



※ I/conn : Intermediate connector

2) CHECK POINT

Engine	Start switch	Check point	Voltage
STOP	OFF	① - GND (battery 1EA)	10~12.5V
		② - GND (battery 2EA)	20~25V
		③ - GND (battery relay)	20~25V
		④ - GND (circuit breaker)	20~25V

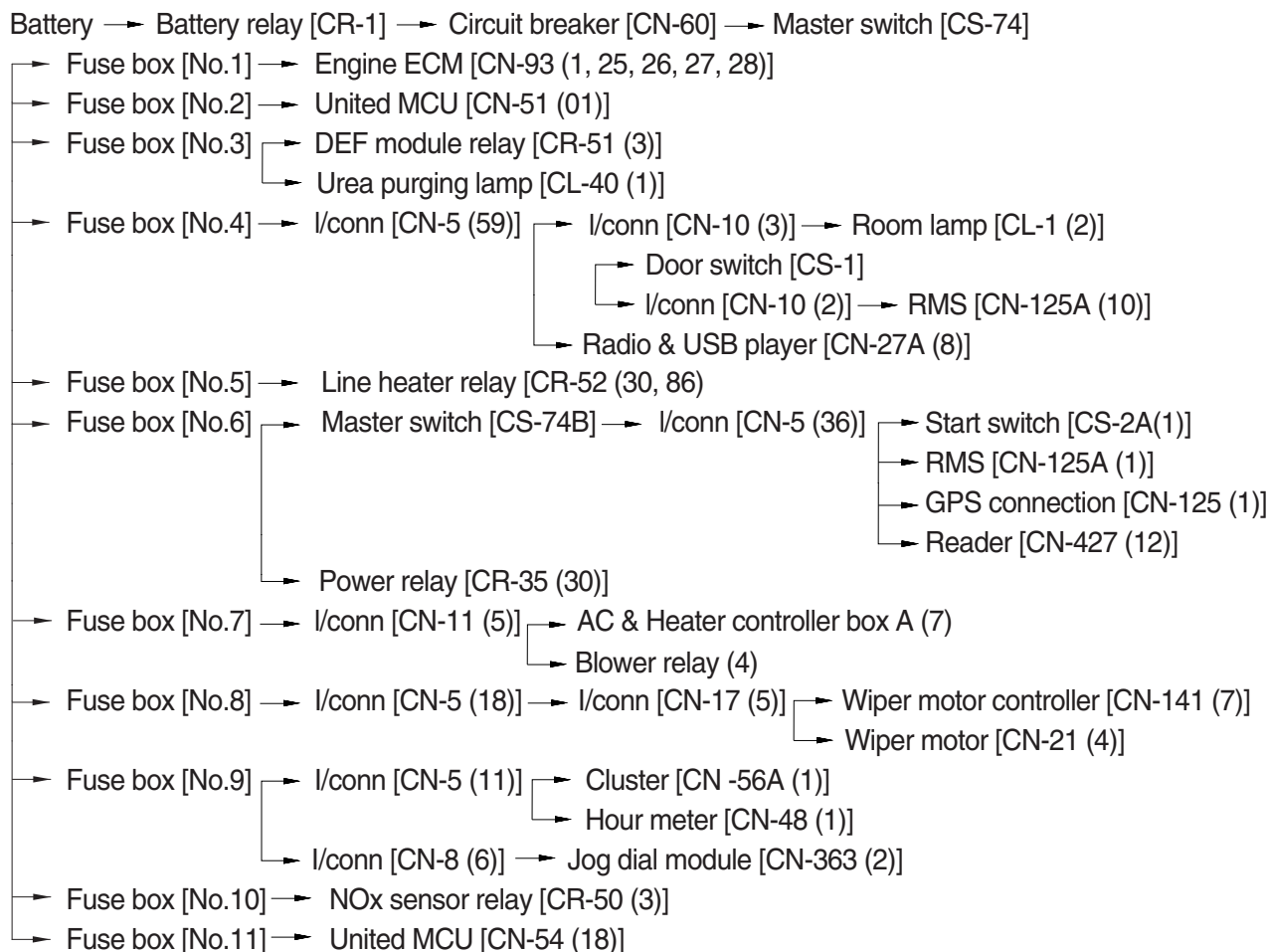
※ GND : Ground

POWER CIRCUIT (MACHINE SERIAL NO. : #0163-)

The negative terminal of battery is grounded to the machine chassis directly.

When the start switch is in the OFF position, the current flows from the positive battery terminal as shown below.

1) OPERATING FLOW



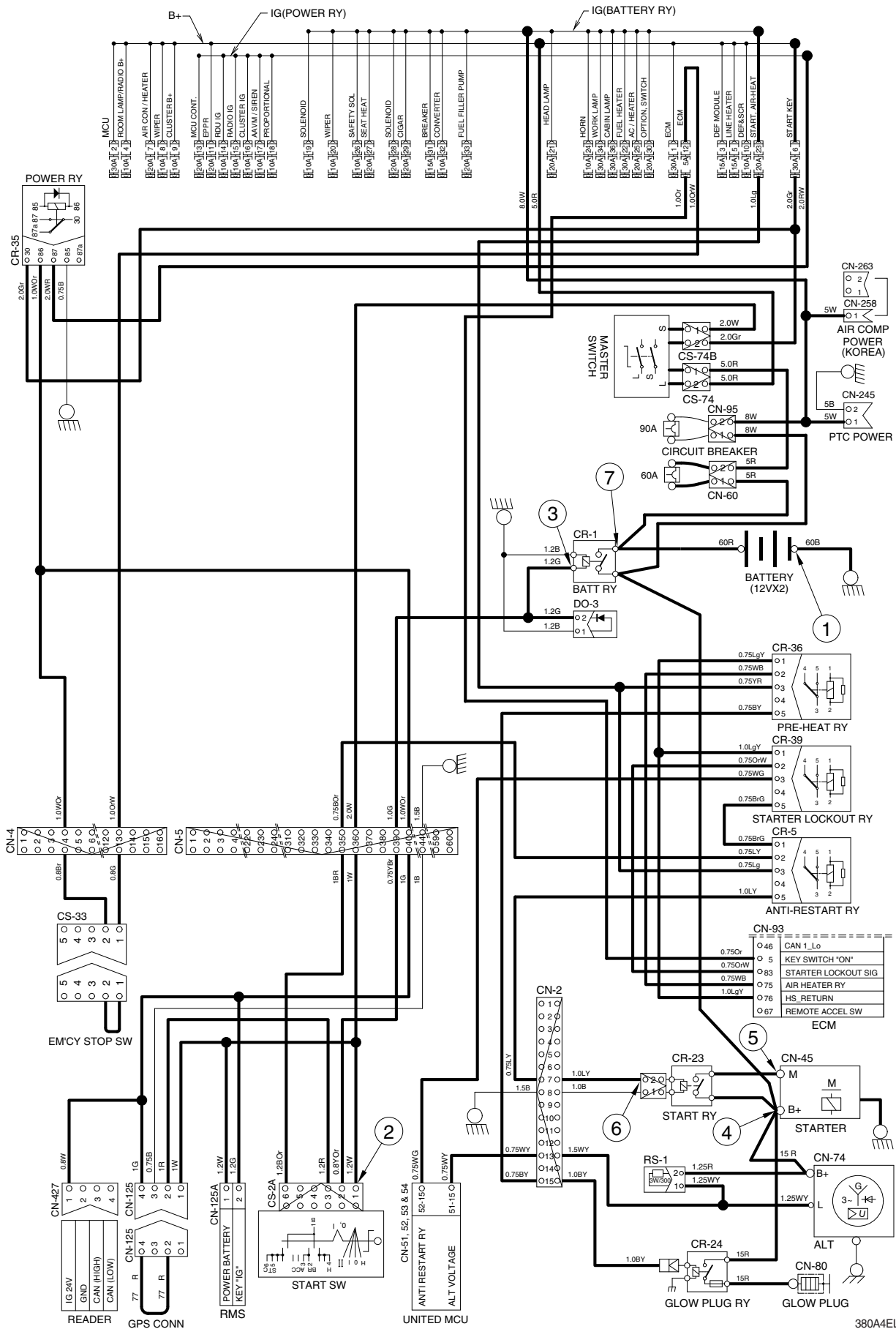
※ I/conn : Intermediate connector

2) CHECK POINT

Engine	Start switch	Check point	Voltage
STOP	OFF	① - GND (battery 1EA)	10~12.5V
		② - GND (battery 2EA)	20~25V
		③ - GND (battery relay)	20~25V
		④ - GND (circuit breaker)	20~25V

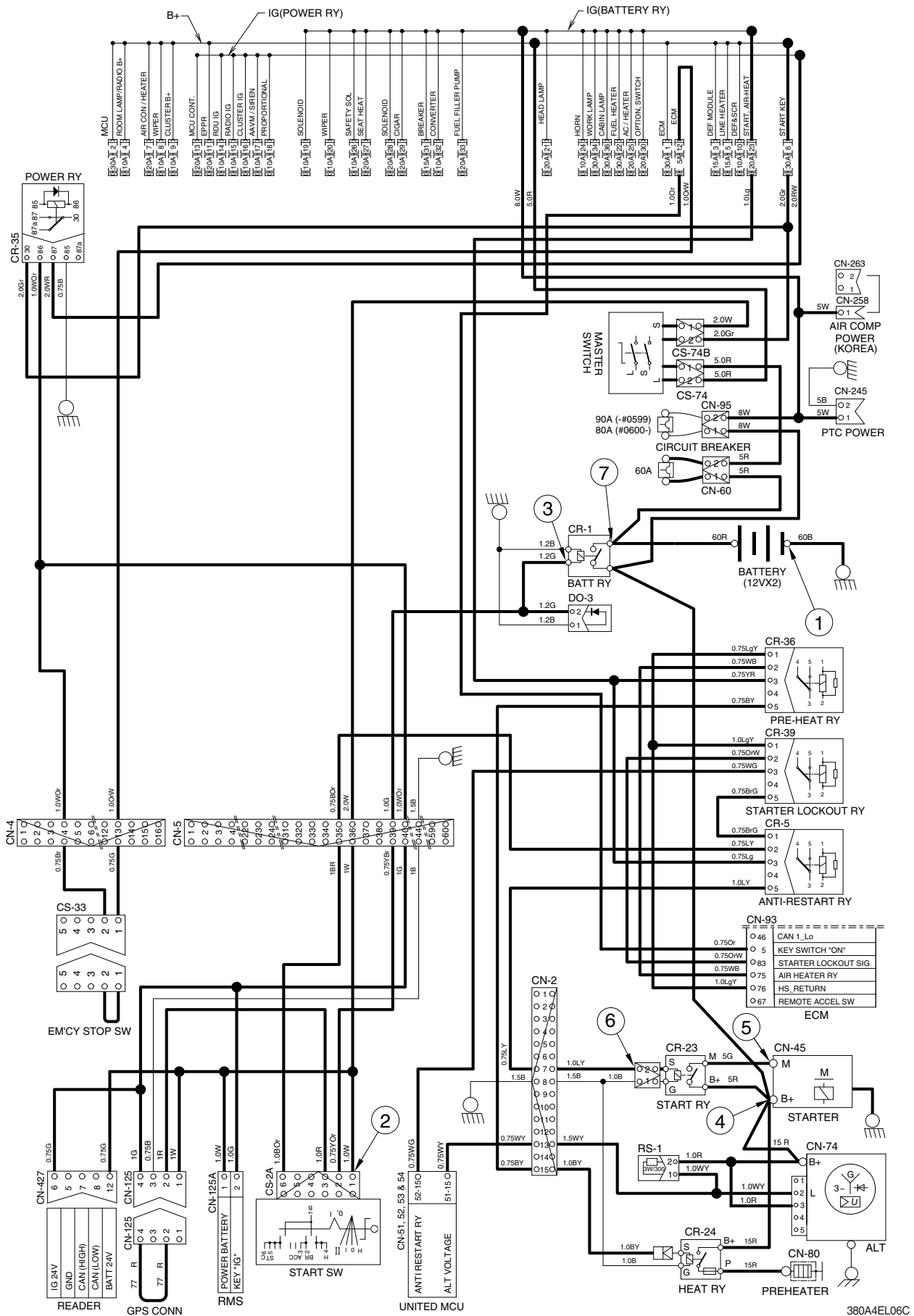
※ GND : Ground

STARTING CIRCUIT (MACHINE SERIAL NO. : -#0003)



380A4EL06A

STARTING CIRCUIT (MACHINE SERIAL NO. : #0163-)



3. CHARGING CIRCUIT (MACHINE SERIAL NO. : -#0003)

When the starter is activated and the engine is started, the operator releases the start switch to the ON position.

Charging current generated by operating alternator flows into the battery through the battery relay [CR-1].

The current also flows from alternator to each electrical component and controller through the fuse box.

1) OPERATING FLOW

(1) Warning flow

Alternator "L" terminal → I/conn [CN-2 (13)] → United MCU alternator voltage [CN-51 (15)]
 → Cluster charging warning lamp (Via CAN interface)

(2) Charging flow

Alternator "B+" terminal → Starter [CN-45 (B+)] → Battery relay (CR-1)
 → Battery (+) terminal
 → Circuit breaker [CN-60] → Master switch [CS-74] → Fuse box [B+]
 → Circuit breaker [CN-95] → Fuse box [IG, battery] → Power relay [CR-35 (30)→(87)]
 → Fuse box [IG, power]
 → PTC power [CN-245 (1)]
 → Air comp power [CN-258 (1)]

2) CHECK POINT

Engine	Start switch	Check point	Voltage
OPERATING	ON	① - GND (battery voltage) ② - GND (battery relay) ③ - GND (alternator B ⁺ terminal) ④ - GND (alternator L terminal) ⑤ - GND (United MCU)	20~25V

※ GND : Ground

CHARGING CIRCUIT (MACHINE SERIAL NO. : #0004-)

When the starter is activated and the engine is started, the operator releases the start switch to the ON position.

Charging current generated by operating alternator flows into the battery through the battery relay [CR-1].

The current also flows from alternator to each electrical component and controller through the fuse box.

1) OPERATING FLOW

(1) Warning flow

- Alternator terminal [CN-74 (2)] → I/conn [CN-2 (13)]
- United MCU alternator voltage [CN-51 (15)]
- Cluster charging warning lamp (Via CAN interface)

(2) Charging flow

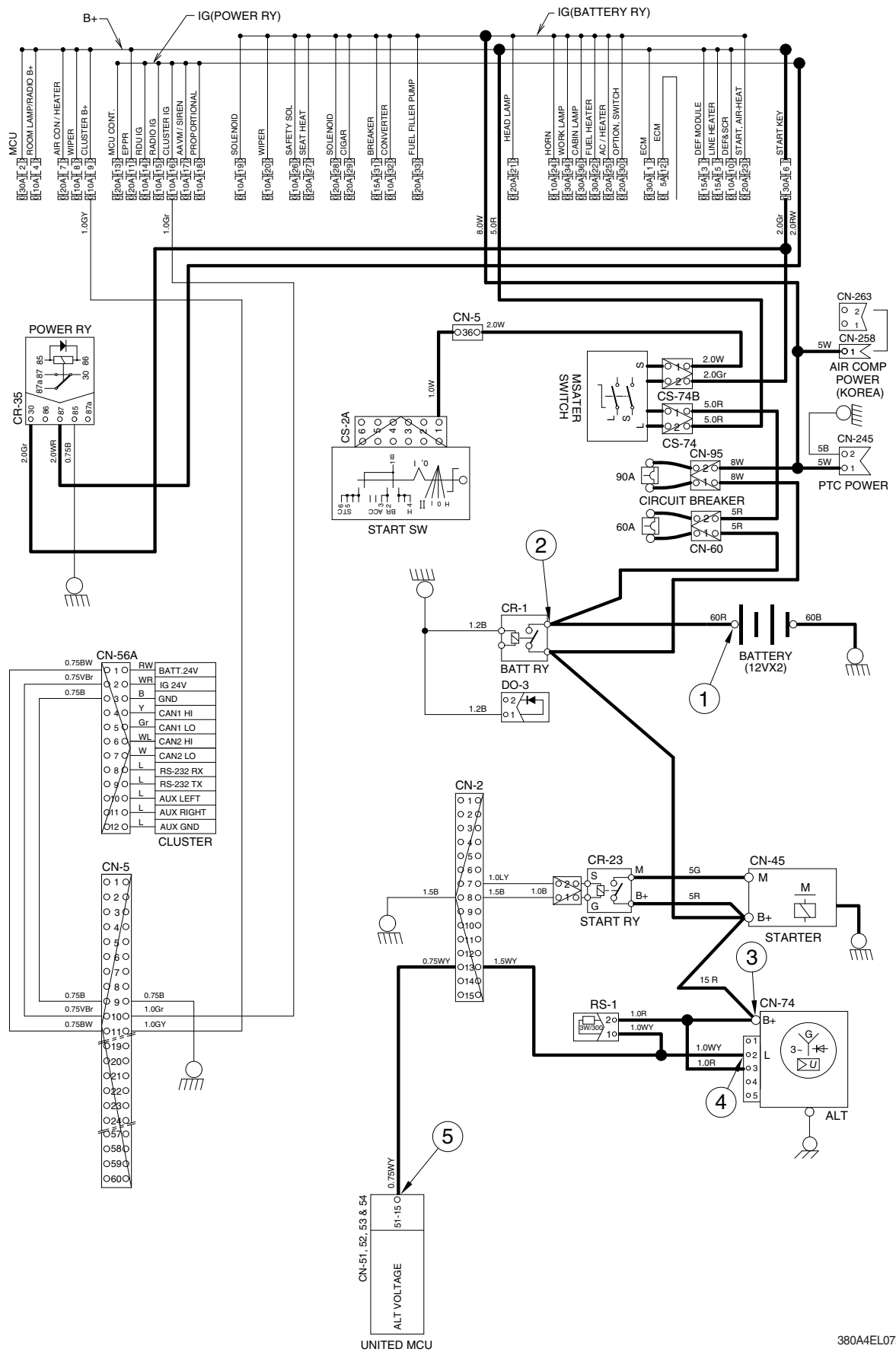
- Alternator "B+" terminal → Starter [CN-45 (B⁺)] → Battery relay (CR-1)
- Battery (+) terminal
- Circuit breaker [CN-60] → Master switch [CS-74] → Fuse box [B⁺]
- Circuit breaker [CN-95] → Fuse box [IG, battery] → Power relay [CR-35 (30)→(87)]
- Fuse box [IG, power]
- PTC power [CN-245 (1)]
- Air comp power [CN-258 (1)]

2) CHECK POINT

Engine	Start switch	Check point	Voltage
OPERATING	ON	① - GND (battery voltage) ② - GND (battery relay) ③ - GND (alternator B ⁺ terminal) ④ - GND (alternator 2 terminal) ⑤ - GND (United MCU)	20~25V

※ GND : Ground

CHARGING CIRCUIT (MACHINE SERIAL NO. : #0004-)



380A4EL07B

4. HEAD AND WORK LIGHT CIRCUIT (MACHINE SERIAL NO. : -#0162)

1) OPERATING FLOW

Fuse box (No.21) → Head light relay [CR-13 (30, 86)]

Fuse box (No.34) → Work light relay [CR-4 (30, 86)]

Fuse box (No.14) → RDU membrane controller [CN-376 (1)]

(1) Head light switch ON

Head light switch ON [CN-376 (13)] → Head light relay [CR-13 (85) → (87)]

→ Head light ON [CL-3 (1), CL-4 (1), CL-24 (1)]

→ I/conn [CN-7 (1)] → Cigar lighter [CL-2]

→ I/conn [CN-5 (60)] → Radio & USB player illumination ON [CN-27A (9)]

(2) Work light switch ON

Work light switch ON [CN-376 (4)] → Work light relay [CR-4 (85) → (87)]

→ I/conn [CN-12 (1)] → Work light ON [CL-5 (1), CL-6 (1)]

2) CHECK POINT

Engine	Start switch	Check point	Voltage
STOP	ON	① - GND (fuse box) ② - GND (switch power output) ③ - GND (head light relay) ④ - GND (head light) ⑤ - GND (fuse box) ⑥ - GND (switch power input) ⑦ - GND (work light relay) ⑧ - GND (work light)	20~25V

※ GND : Ground

HEAD AND WORK LIGHT CIRCUIT (MACHINE SERIAL NO. : #0163-)

1) OPERATING FLOW

Fuse box (No.21) → Head light relay [CR-13 (30, 86)]

Fuse box (No.34) → Work light relay [CR-4 (30, 86)]

Fuse box (No.14) → RDU membrane controller [CN-376 (1)]

(1) Head light switch ON

Head light switch ON [CN-376 (13)] → Head light relay [CR-13 (85) → (87)]

→ Head light ON [CL-3 (1), CL-4 (1), CL-24 (1)]

→ I/conn [CN-7 (1)] → Cigar lighter [CL-2]

→ I/conn [CN-5 (60)] → Radio & USB player illumination ON [CN-27A (9)]

(2) Work light switch ON

Work light switch ON [CN-376 (4)] → Work light relay [CR-4 (85) → (87)]

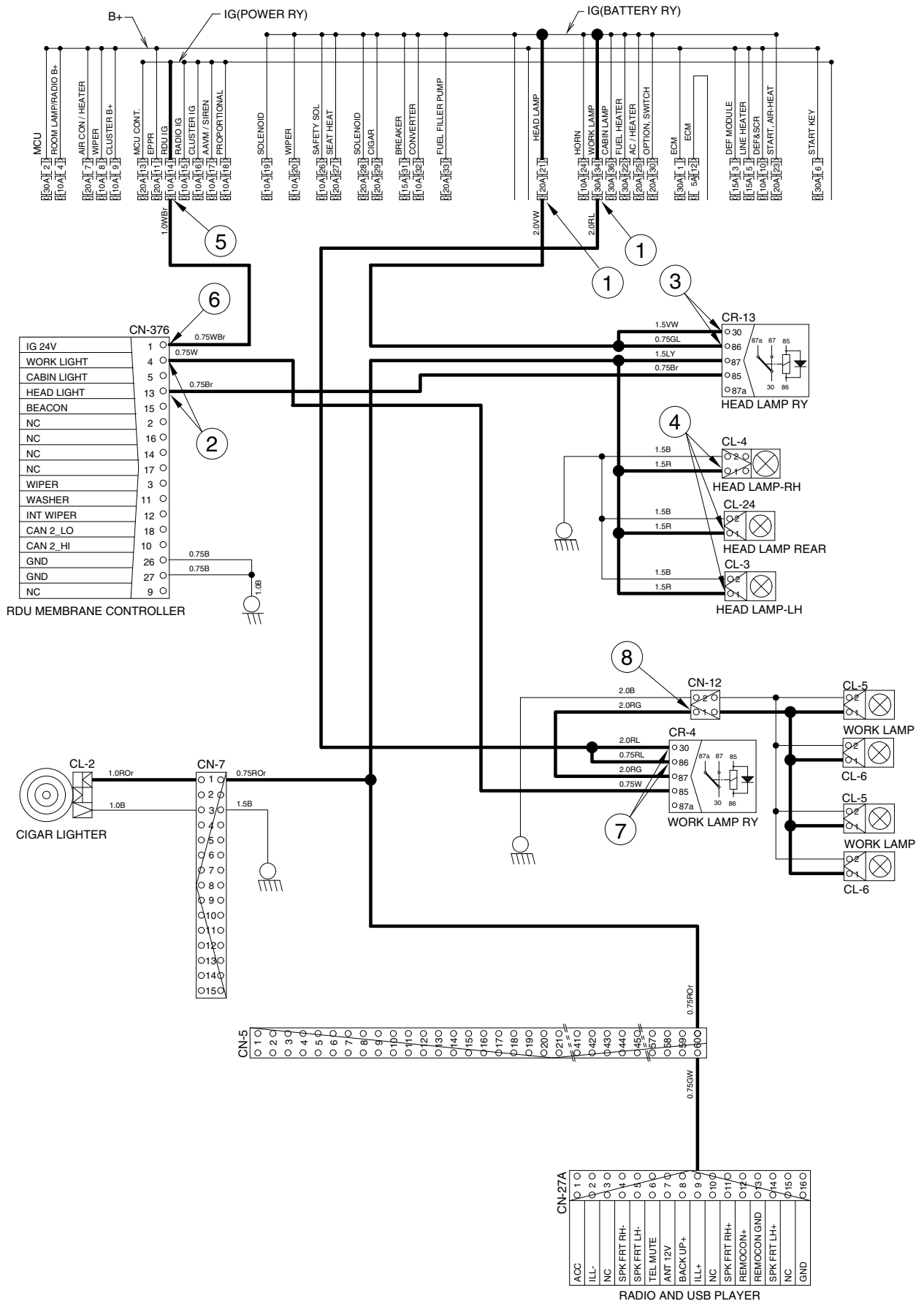
→ I/conn [CN-12 (1)] → Work light ON [CL-5 (1), CL-6 (1)]

2) CHECK POINT

Engine	Start switch	Check point	Voltage
STOP	ON	① - GND (fuse box) ② - GND (switch power output) ③ - GND (head light relay) ④ - GND (head light) ⑤ - GND (fuse box) ⑥ - GND (switch power input) ⑦ - GND (work light relay) ⑧ - GND (work light)	20~25V

※ GND : Ground

HEAD AND WORK LIGHT CIRCUIT (MACHINE SERIAL NO. : #0163-)



380A4EL08A

5. BEACON LAMP AND CAB LIGHT CIRCUIT (MACHINE SERIAL NO. : -#0162)

1) OPERATING FLOW

Fuse box (No.30) → Beacon lamp relay [CR-85 (2, 3)]

Fuse box (No.36) → Cab light relay [CR-9 (30, 86)]

Fuse box (No.14) → RDU membrane controller [CN-376 (1)]

(1) Beacon lamp switch ON

Beacon lamp switch ON [CN-376 (15)] → Beacon lamp relay [CR-85 (1)→ (5)]

→ I/conn [CN-5 (50)] → I/conn [CN-10 (10)] → Beacon lamp ON [CL-7]

(2) Cab light switch ON

Cab light switch ON [CN-376 (5)] → Cab lamp relay [CR-9 (85) → (87)]

→ I/conn [CN-5 (34, 38)] → I/conn [CN-10 (11)] → Cab light ON [CL-8 (2)]

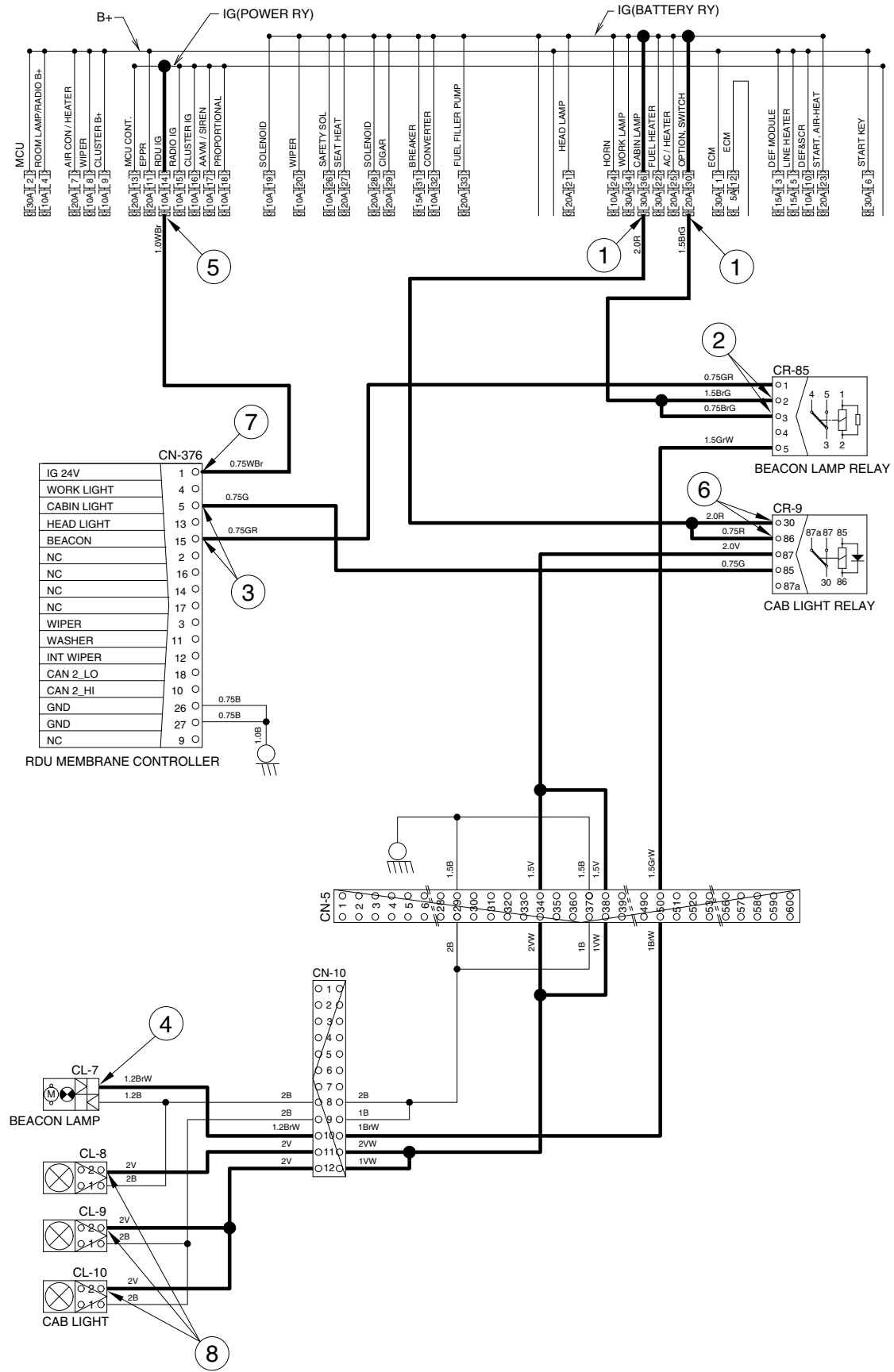
→ I/conn [CN-10 (12)] → Cab light ON [CL-9 (2), CL-10 (2)]

2) CHECK POINT

Engine	Start switch	Check point	Voltage
STOP	ON	① - GND (fuse box) ② - GND (beacon lamp relay) ③ - GND (switch power output) ④ - GND (beacon lamp) ⑤ - GND (fuse box) ⑥ - GND (cabin light relay) ⑦ - GND (switch power input) ⑧ - GND (cab light)	20~25V

※ GND : Ground

BEACON LAMP AND CAB LIGHT CIRCUIT (MACHINE SERIAL NO. : -#0162)



380A4EL09A

BEACON LAMP AND CAB LIGHT CIRCUIT (MACHINE SERIAL NO. : #0163-)

1) OPERATING FLOW

Fuse box (No.30) → Beacon lamp relay [CR-85 (2, 3)]

Fuse box (No.36) → Cab light relay [CR-9 (30, 86)]

Fuse box (No.14) → RDU membrane controller [CN-376 (1)]

(1) Beacon lamp switch ON

Beacon lamp switch ON [CN-376 (15)] → Beacon lamp relay [CR-85 (1)→ (5)]

→ I/conn [CN-5 (50)] → I/conn [CN-10 (10)] → Beacon lamp ON [CL-7 (2)]

(2) Cab light switch ON

Cab light switch ON [CN-376 (5)] → Cab lamp relay [CR-9 (85) → (87)]

→ I/conn [CN-5 (34, 38)] → I/conn [CN-10 (11)] → Cab light ON [CL-8 (2)]

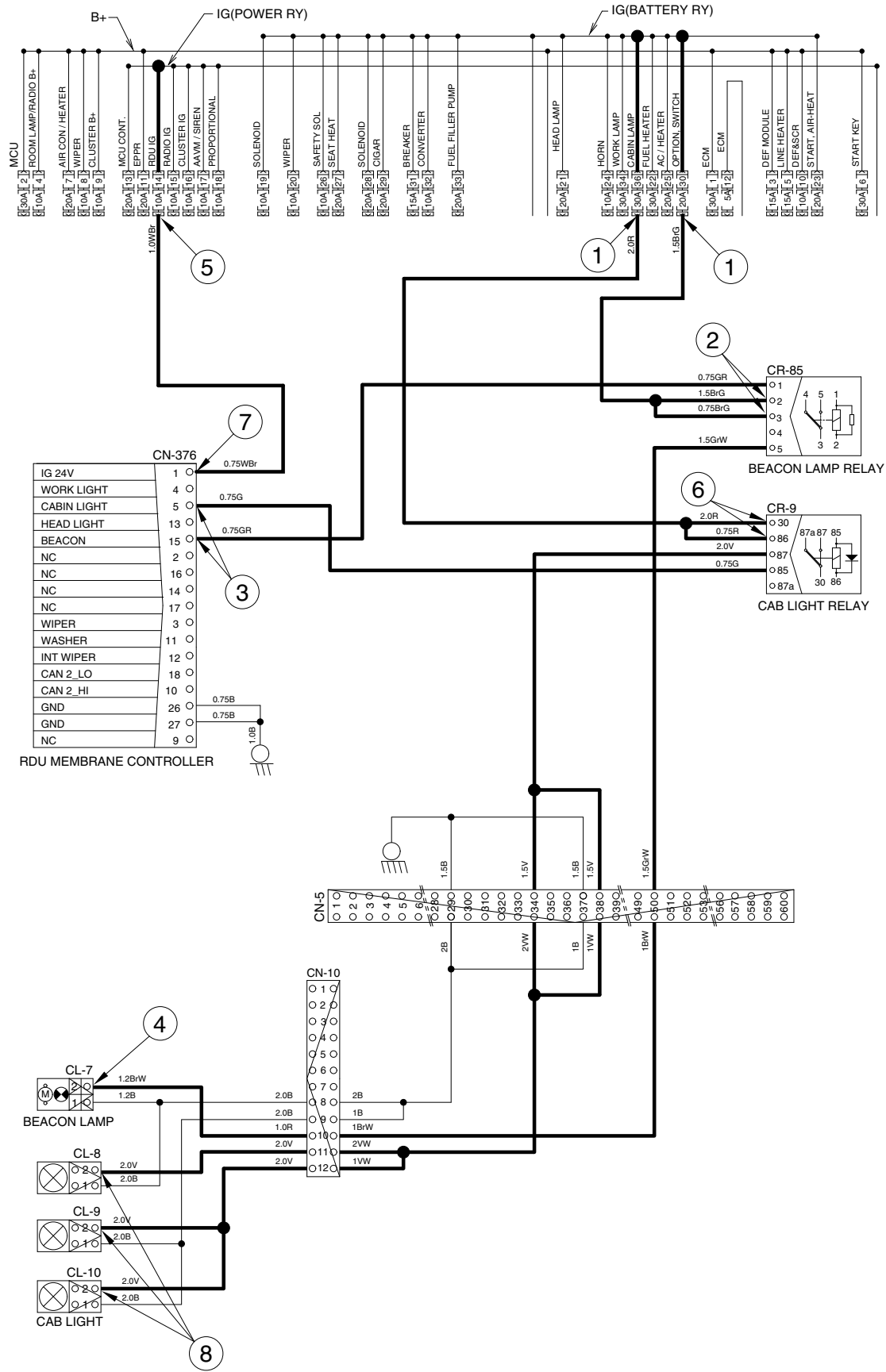
→ I/conn [CN-10 (12)] → Cab light ON [CL-9 (2), CL-10 (2)]

2) CHECK POINT

Engine	Start switch	Check point	Voltage
STOP	ON	① - GND (fuse box) ② - GND (beacon lamp relay) ③ - GND (switch power output) ④ - GND (beacon lamp) ⑤ - GND (fuse box) ⑥ - GND (cabin light relay) ⑦ - GND (switch power input) ⑧ - GND (cab light)	20~25V

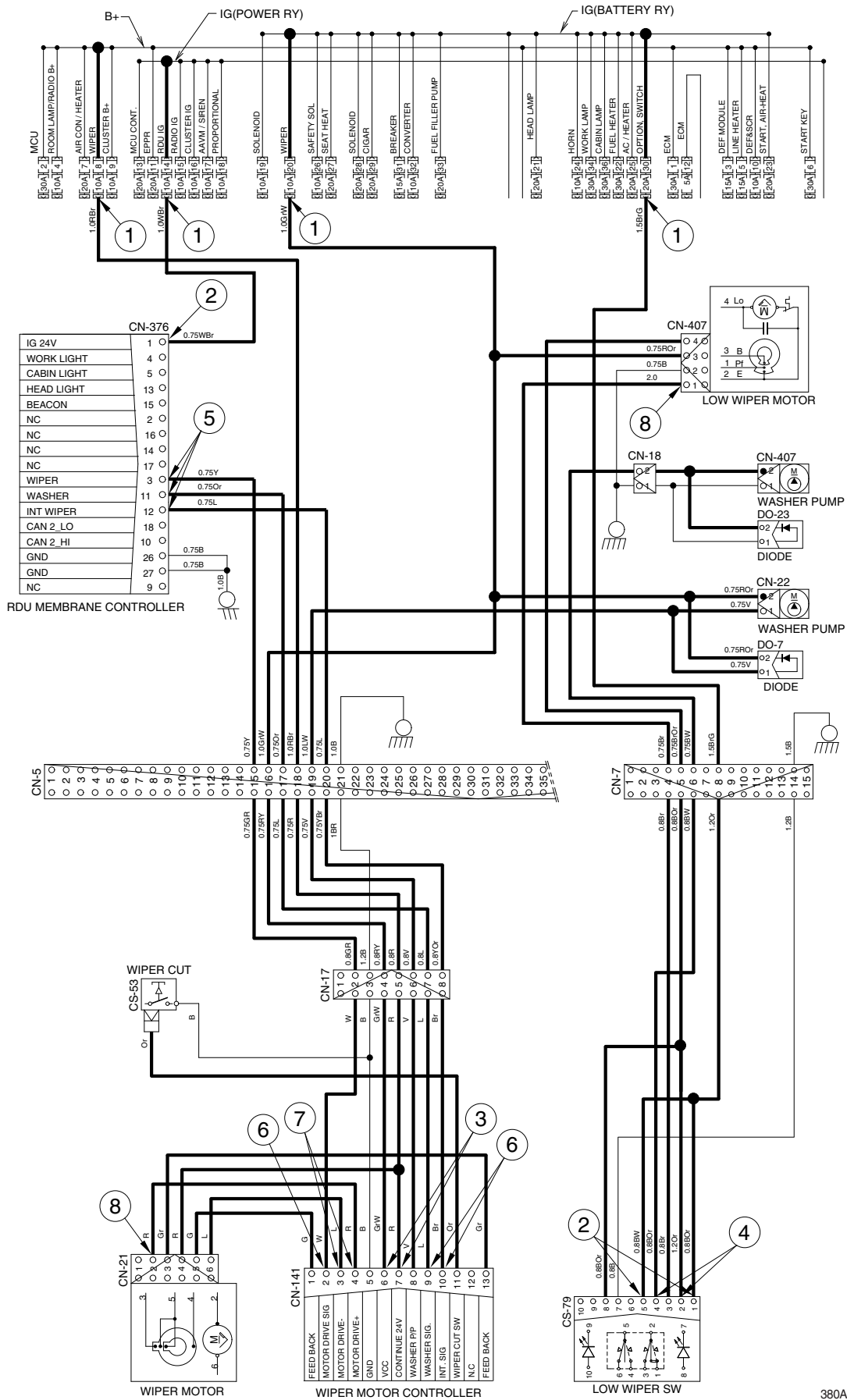
※ GND : Ground

BEACON LAMP AND CAB LIGHT CIRCUIT (MACHINE SERIAL NO. : #0163-)



380A4EL09B

WIPER AND WASHER CIRCUIT (MACHINE SERIAL NO. : -#0162)

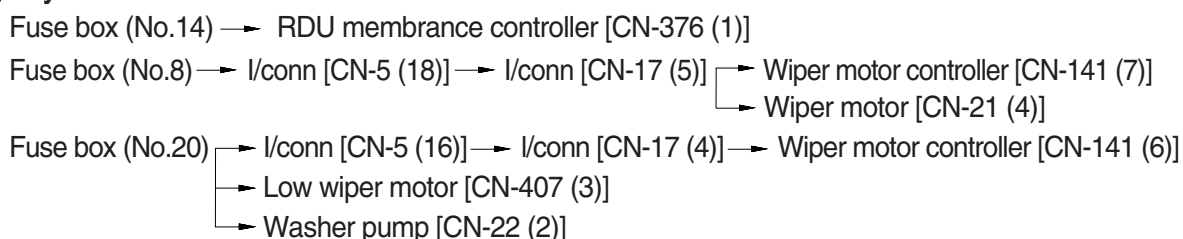


380A4EL10A

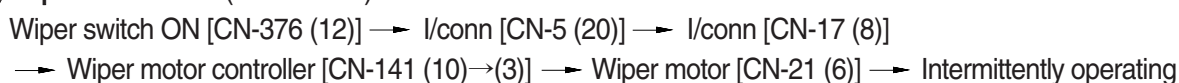
6. WIPER AND WASHER CIRCUIT (MACHINE SERIAL NO. : #0163-)

1) OPERATING FLOW

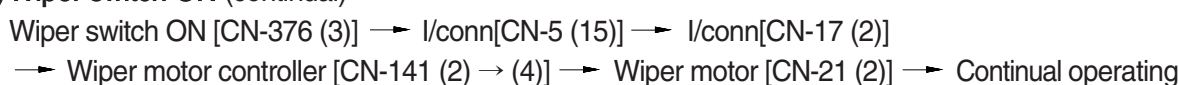
(1) Key switch ON



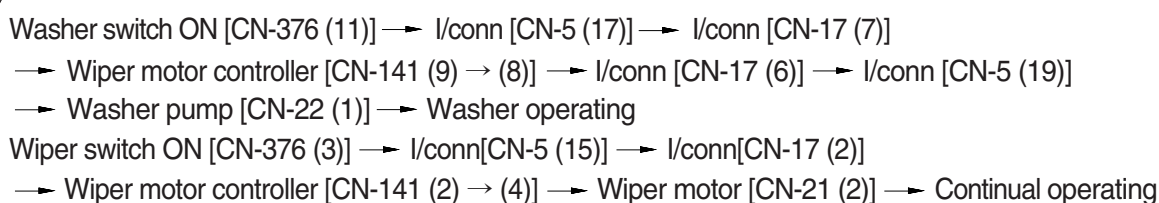
(2) Wiper switch ON (Intermittent)



(3) Wiper switch ON (continual)



(4) Washer switch ON

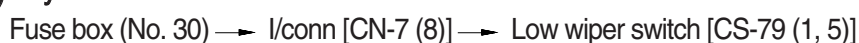


(5) Auto parking (when switch OFF)

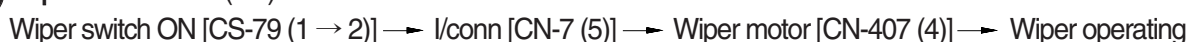


2) OPERATING FLOW (LOW WIPER)

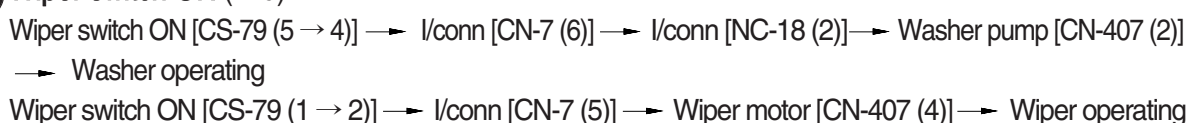
(1) Key switch ON



(2) Wiper switch ON (1st)



(3) Wiper switch ON (2nd)

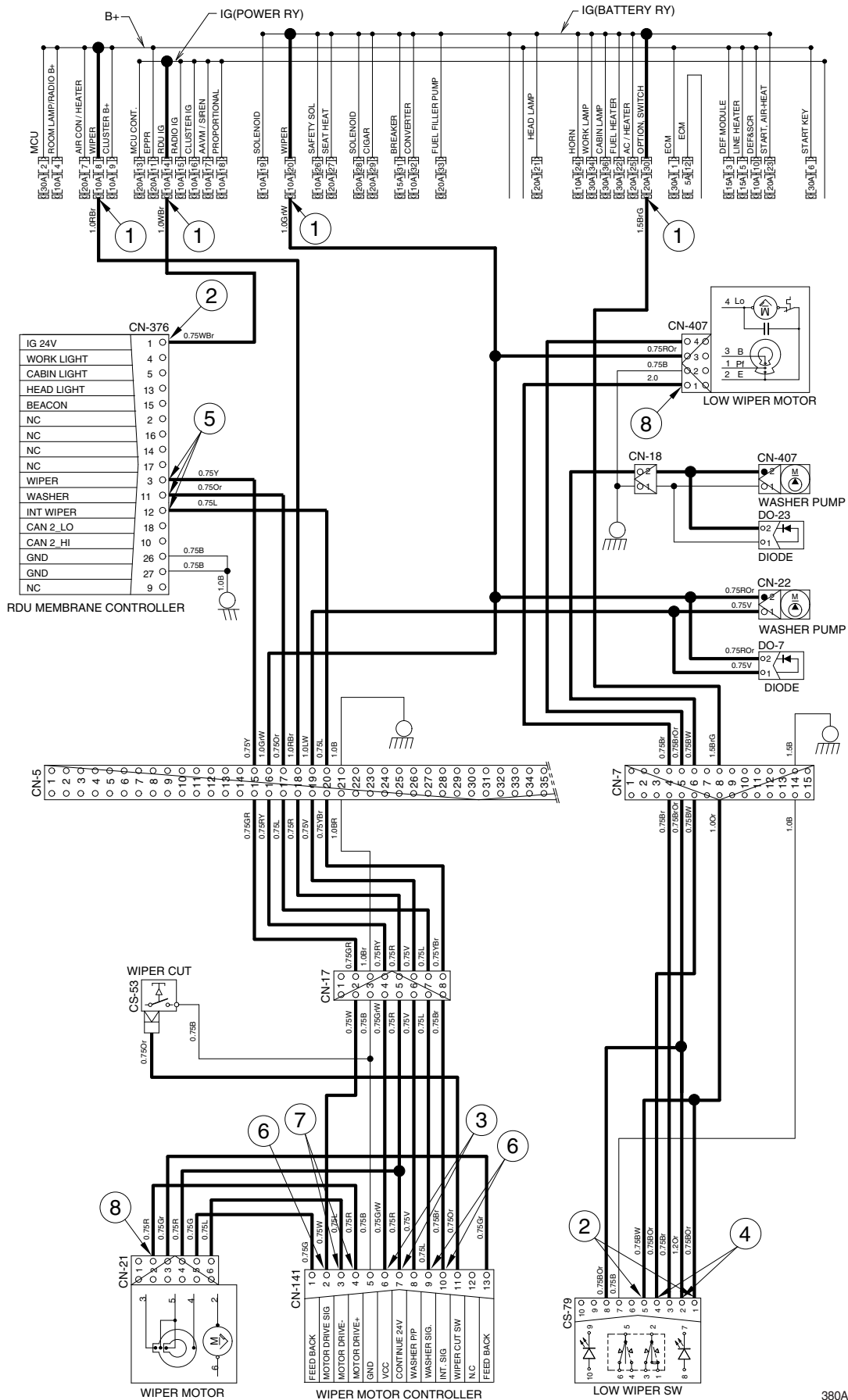


3) CHECK POINT

Engine	Start switch	Check point	Voltage
STOP	ON	① - GND (fuse box)	20~25V
		② - GND (switch power input)	
		③ - GND (wiper power input)	
		④ - GND (switch power output)	
		⑤ - GND (switch power output)	0 ~ 5V
		⑥ - GND (wiper switch power input)	
		⑦ - GND (wiper power output)	
		⑧ - GND (wiper motor)	
		0 or 24V	

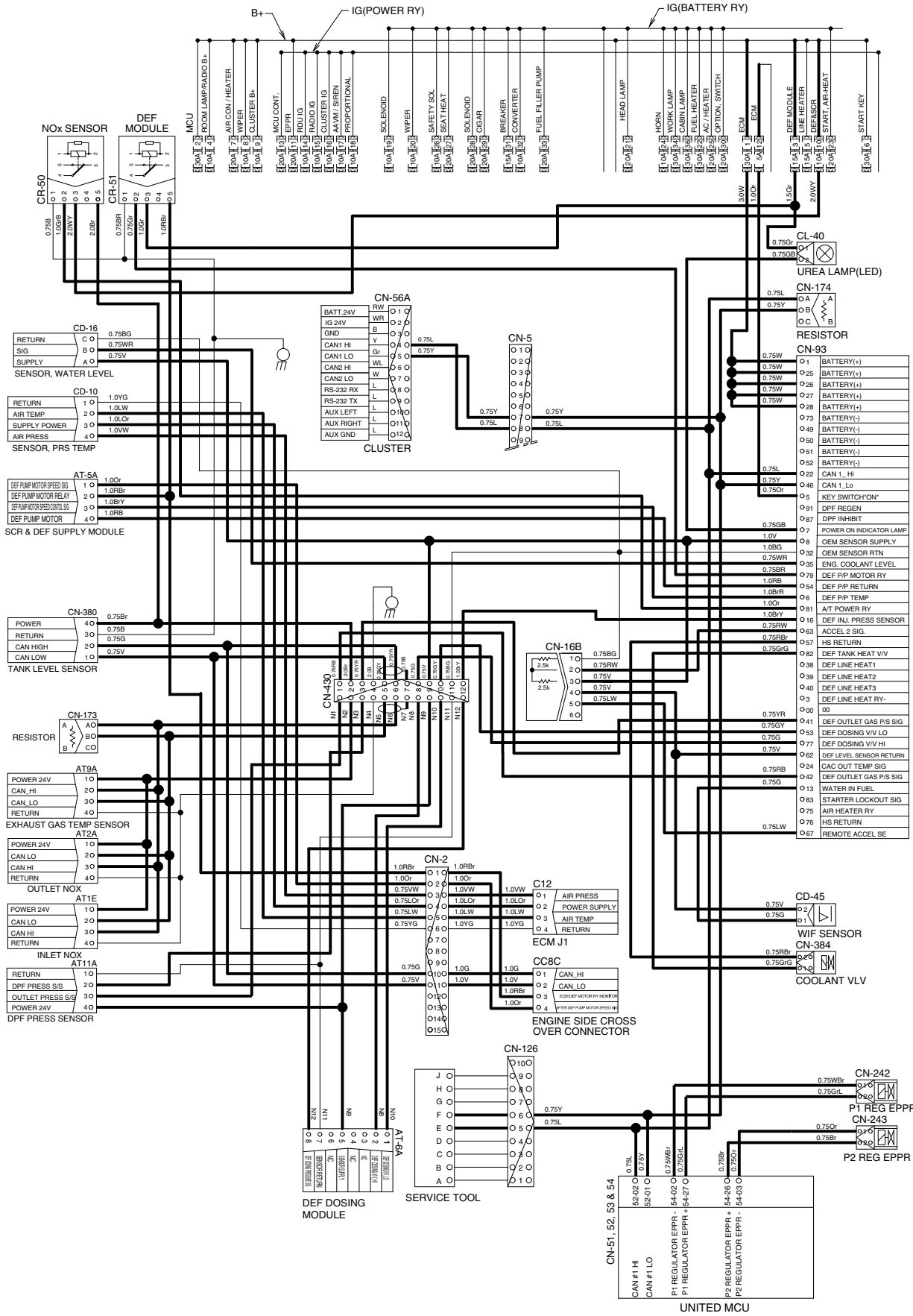
※ GND : Ground

WIPER AND WASHER CIRCUIT (MACHINE SERIAL NO. : #0163-)

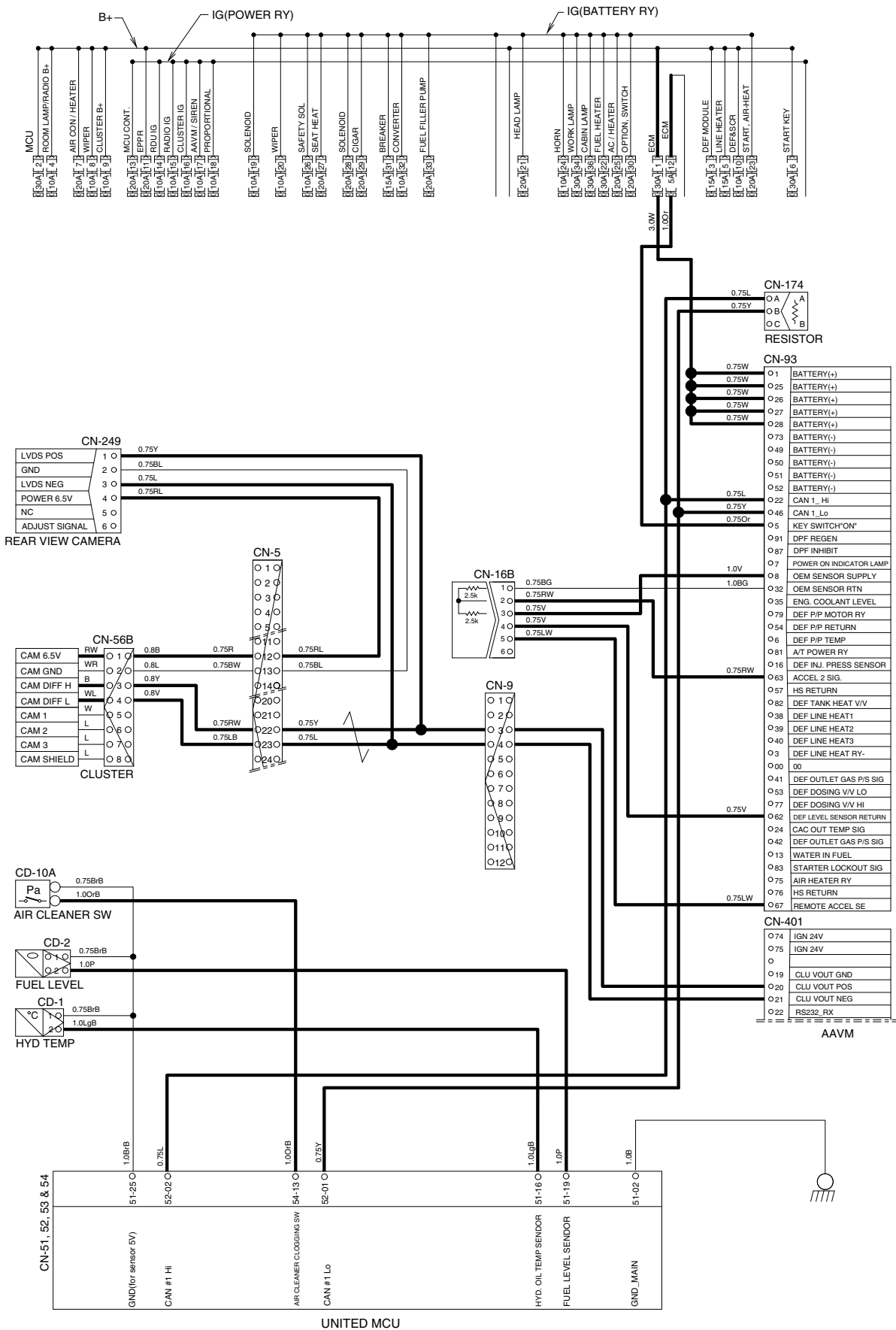


380A4EL10B

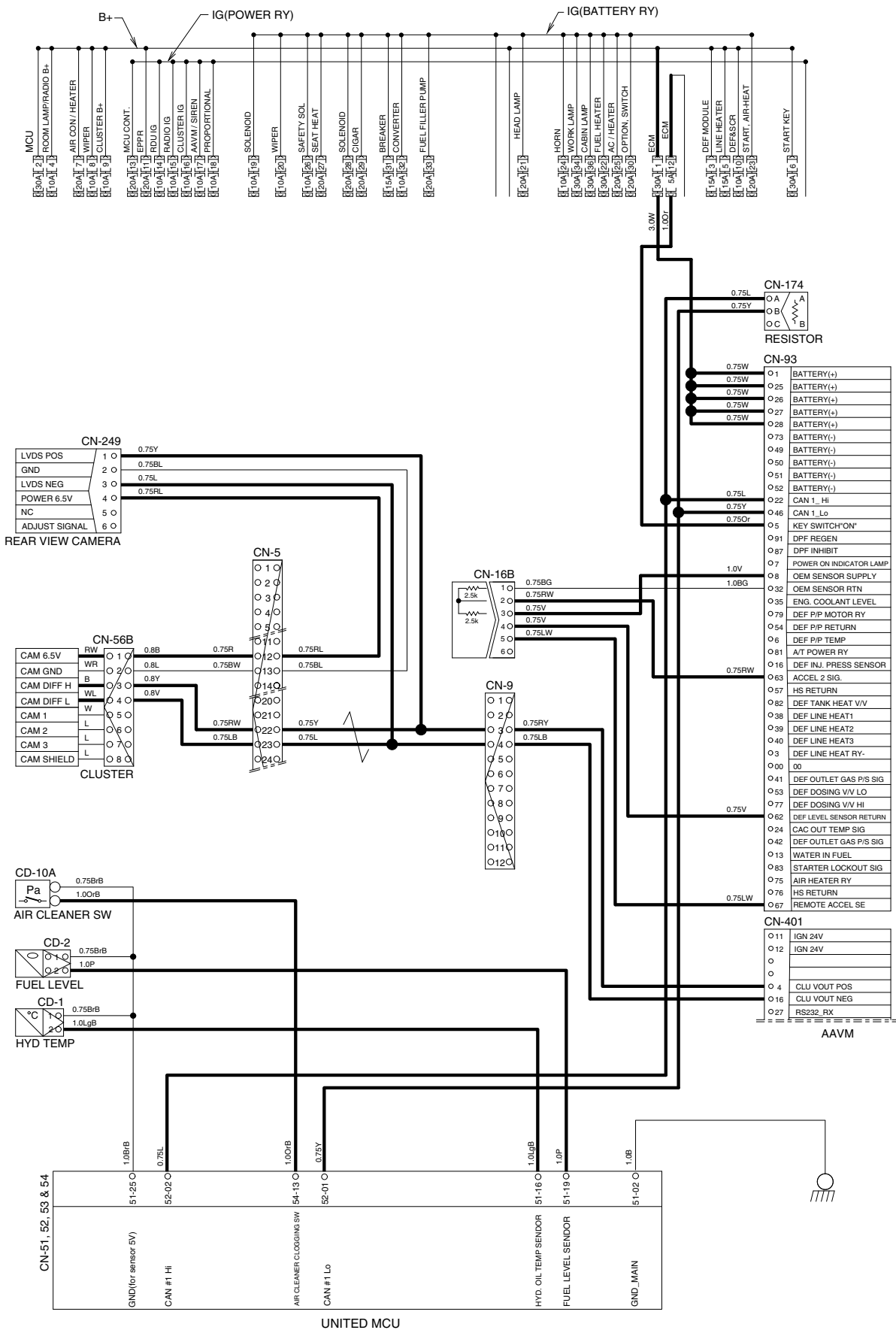
7. CONTROLLER CIRCUIT (MACHINE SERIAL NO. : #0001-)



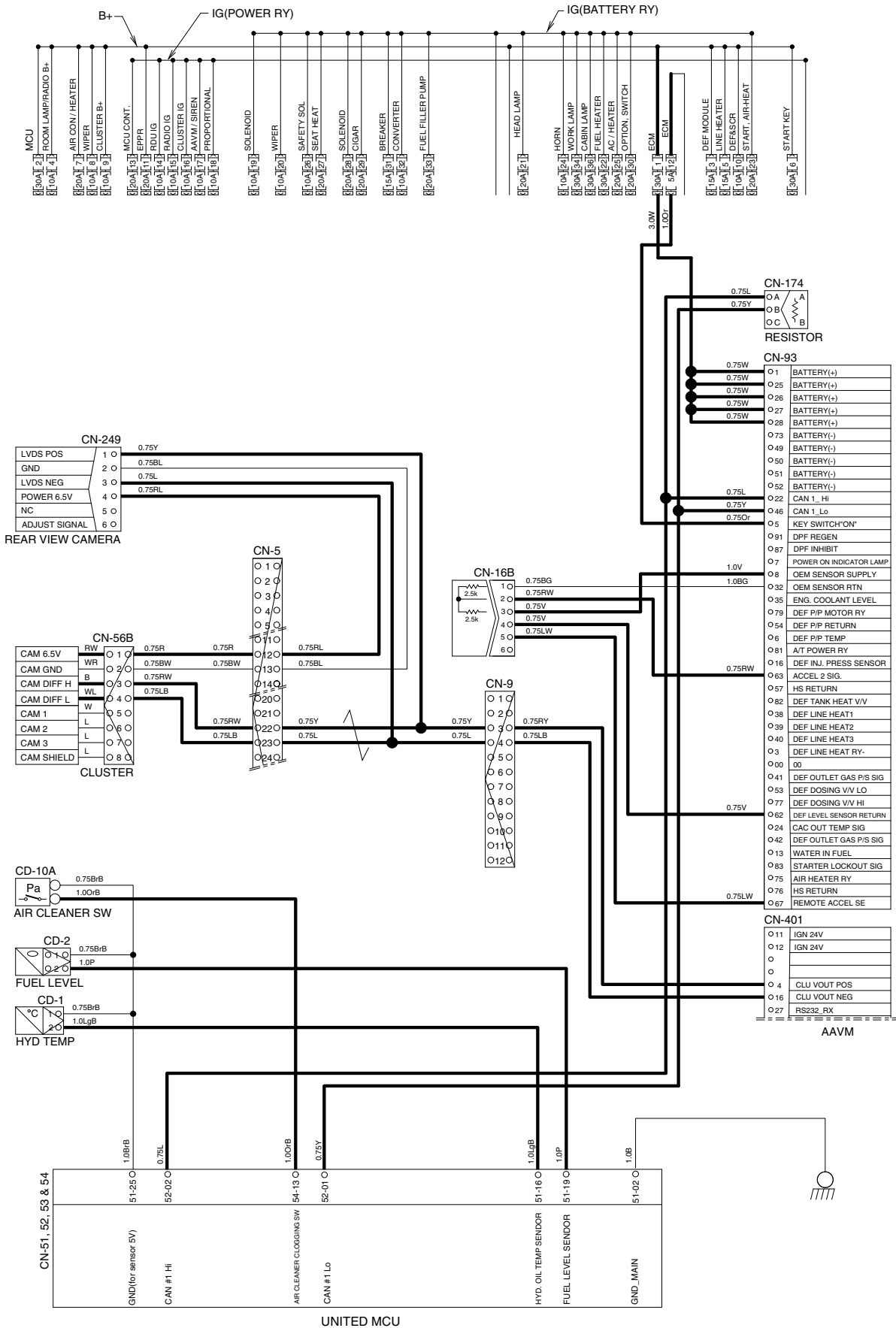
8. MONITORING CIRCUIT (MACHINE SERIAL NO. : -#0003)



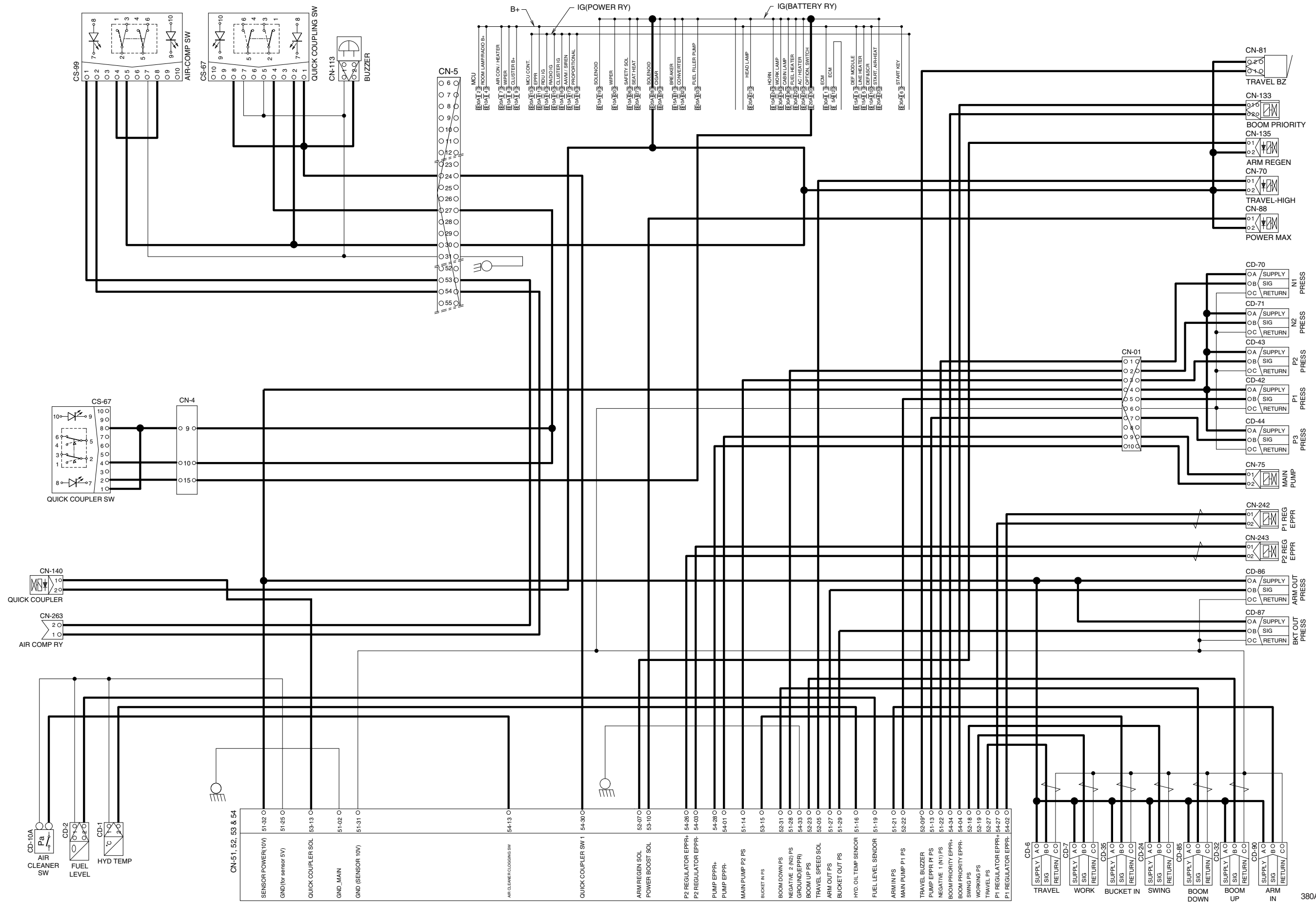
MONITORING CIRCUIT (MACHINE SERIAL NO. : #0004-#0162)



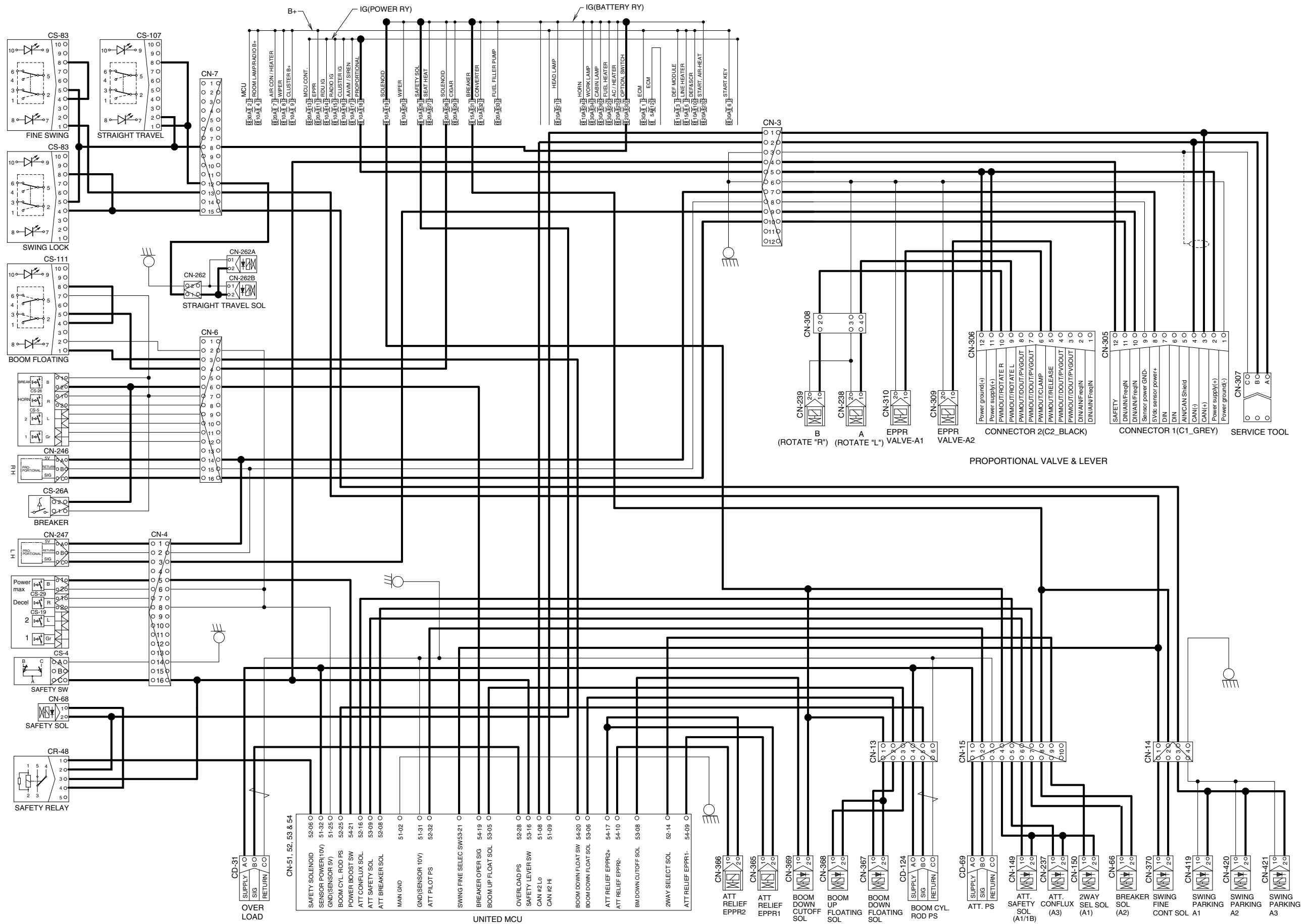
MONITORING CIRCUIT (MACHINE SERIAL NO. : #0163-)



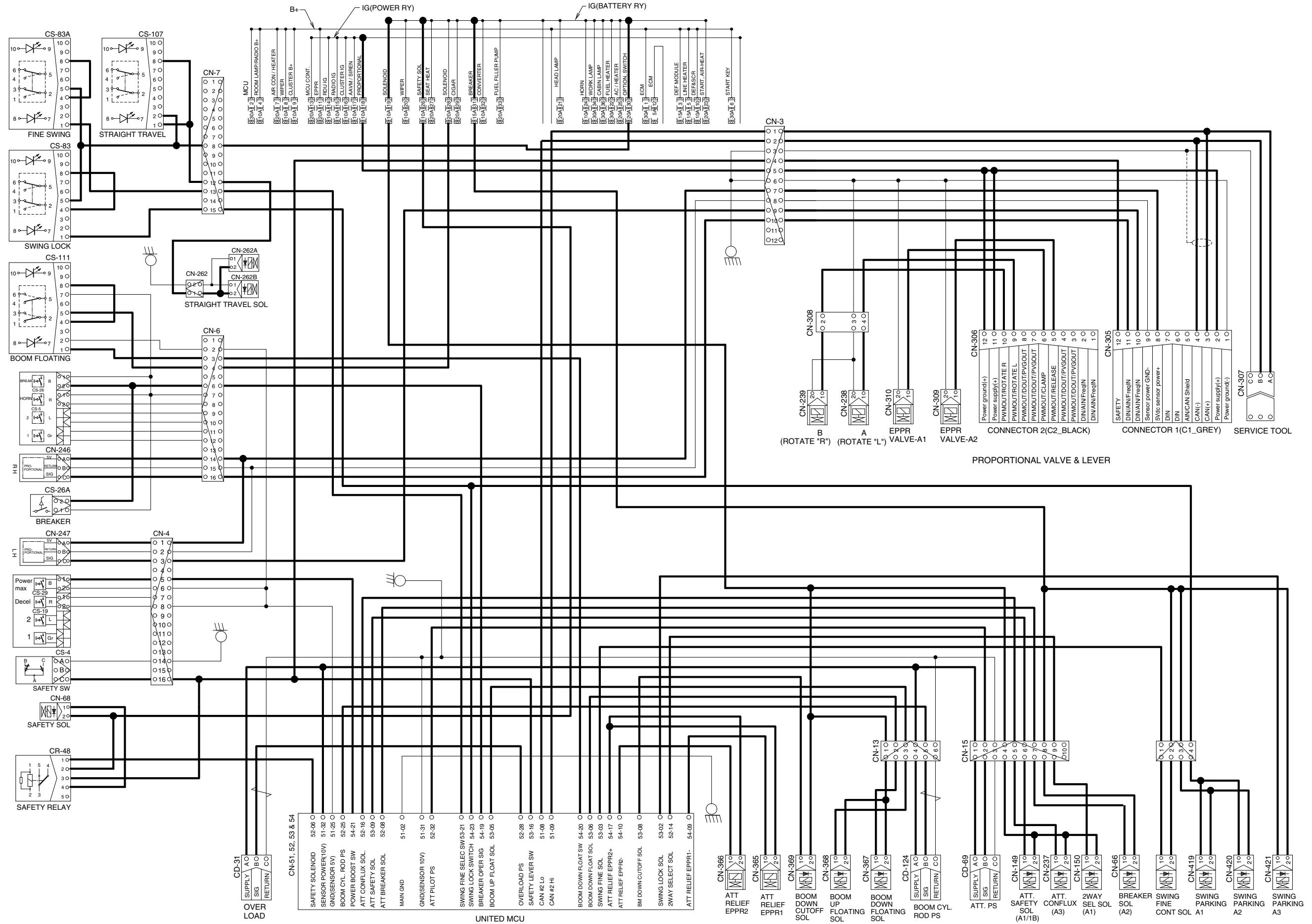
9. ELECTRIC CIRCUIT FOR HYDRAULIC (1/2, MACHINE SERIAL NO. : #0001-)



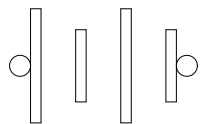
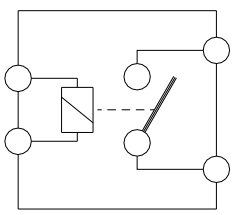
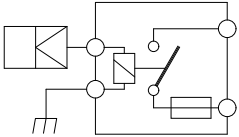
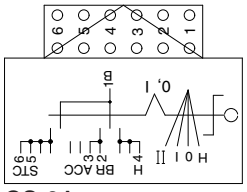
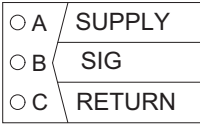
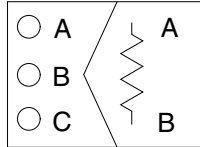
ELECTRIC CIRCUIT FOR HYDRAULIC (2/2, MACHINE SERIAL NO. : #0004-#0162)

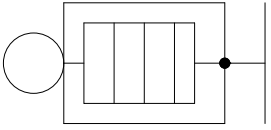
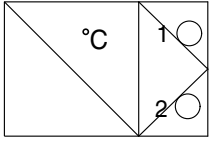
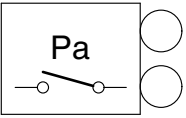
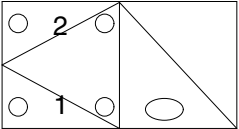
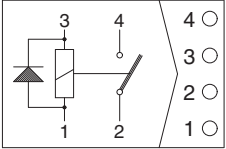
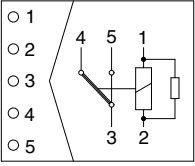


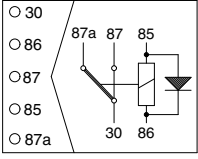
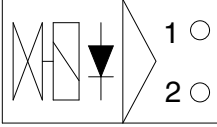
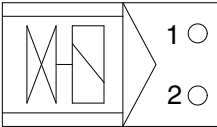
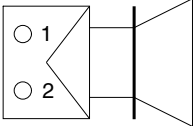
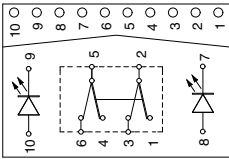
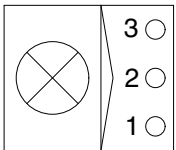
ELECTRIC CIRCUIT FOR HYDRAULIC (2/2, MACHINE SERIAL NO. : #0163-)

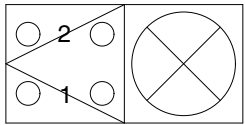
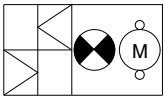
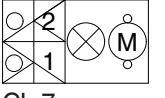
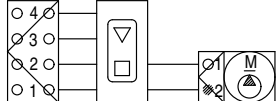
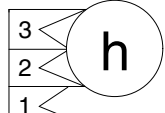
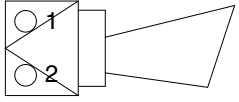
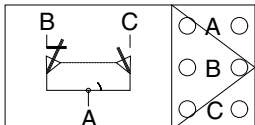


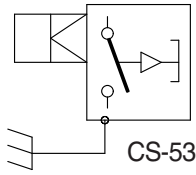
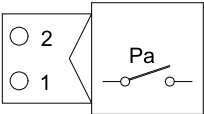
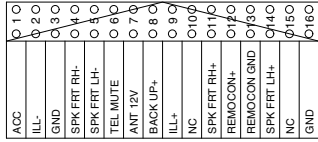
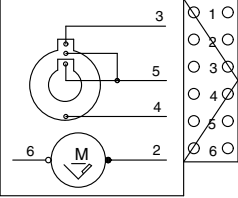
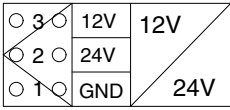
GROUP 3 ELECTRICAL COMPONENT SPECIFICATION

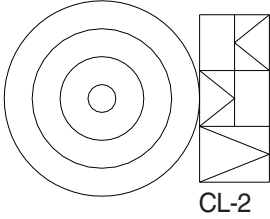
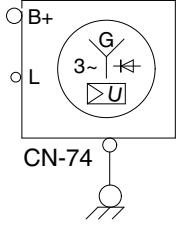
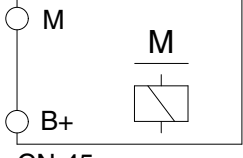
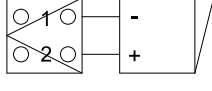
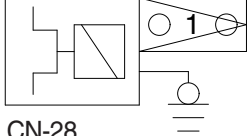
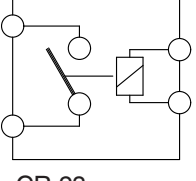
Part name	Symbol	Specifications	Check
Battery		12V × 160Ah (2EA)	※ Check specific gravity 1.280 over : Over charged 1.280 ~ 1.250 : Normal 1.250 below : Recharging
Battery relay	 <p style="text-align: center;">CR-1</p>	Rated load : 24V 100A (continuity) 1000A (30seconds)	※ Check coil resistance(M4 to M4) Normal : About 50Ω ※ Check contact Normal : ∞Ω
Glow plug relay	 <p style="text-align: center;">CR-24</p>	24V 200A	※ Check contact Normal : 0.942Ω (for terminal 1-GND)
Start key	 <p style="text-align: center;">CS-2A</p>	B-BR : 24V 1A B-ACC : 24V 10A B-ST : 24V 40A	※ Check contact OFF : ∞Ω (for each terminal) ON : 0Ω (for terminal 1-3 and 1-2) START : 0Ω (for terminal 1-6)
Pressure sensor	 <p style="text-align: center;"> ○ A SUPPLY ○ B SIG ○ C RETURN </p> <p> CD-6 CD-7 CD-16 CD-24 CD-31 CD-32 CD-35 CD-42 CD-43 CD-44 CD-69 CD-70 CD-71 CD-85 CD-86 CD-87 CD-90 CD-124 </p>	8~30V	※ Check contact Normal : 0.1Ω
Resistor	 <p style="text-align: center;"> ○ A ○ B ○ C </p> <p style="text-align: center;"> A B </p> <p style="text-align: center;">CN-173 CN-174</p>	3W	※ Check resistance A-B : 120Ω

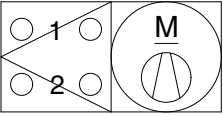
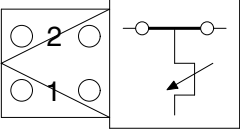
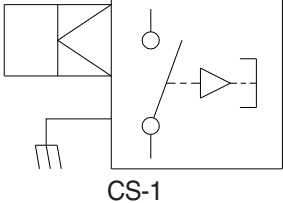
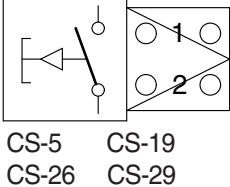
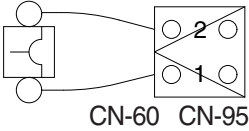
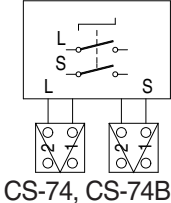
Part name	Symbol	Specifications	Check
Glow plug	 CN-80	24V 200A	※ Check resistance 0.25~0.12Ω
Temperature sensor (hydraulic)	 CD-1	-	※ Check resistance 50°C : 804Ω 80°C : 310Ω 100°C : 180Ω
Air cleaner pressure switch	 CD-10A	(N.O TYPE)	※ Check contact High level : ∞Ω Low level : 0Ω
Fuel sender	 CD-2	-	※ Check resistance Full : 50Ω 6/12 : 350Ω 11/12 : 100Ω 5/12 : 400Ω 10/12 : 150Ω 4/12 : 450Ω 9/12 : 200Ω 3/12 : 500Ω 8/12 : 250Ω 2/12 : 550Ω 7/12 : 300Ω 1/12 : 600Ω Empty warning : 700Ω
Relay (air con blower)		24V 20A	※ Check resistance Normal : About 200Ω (for terminal 1-3) 0Ω (for terminal 2-4)
Relay	 CR-2 CR-5 CR-36 CR-39 CR-48 CR-50 CR-51 CR-85	24V 16A	※ Check resistance Normal : About 160Ω (for terminal 1-2) 0Ω (for terminal 3-4) ∞Ω (for terminal 3-5)

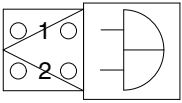
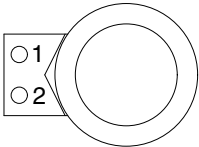
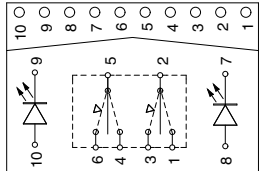
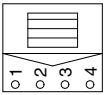
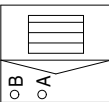
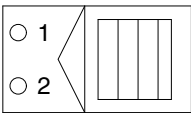
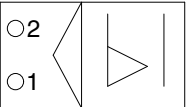
Part name	Symbol	Specifications	Check
Relay	 <p>CR-4 CR-7 CR-9 CR-13 CR-35 CR-46 CR-52</p>	24V 16A	※ Check resistance Normal : About 160 Ω (for terminal 85-86) 0 Ω (for terminal 30-87a) ∞ Ω (for terminal 30-87)
Solenoid valve	 <p>CN-66 CN-68 CN-70 CN-88 CN-135 CN-140 CN-149 CN-150 CN-237 CN-262A CN-262B CN-367 CN-368 CN-369 CN-370 CN-419 CN-420 CN-421</p>	24V 1A	※ Check resistance Normal : 15~25 Ω (for terminal 1-2)
EPPR valve	 <p>CN-75 CN-133 CN-238 (#0004-) CN-239 (#0004-) CN-242 CN-154 CN-243 CN-309 CN-310 CN-365 CN-366</p>	700mA	※ Check resistance Normal : 15~25 Ω (for terminal 1-2)
Speaker	 <p>CN-23(LH) CN-260 CN-24(RH)</p>	20W	※ Check resistance Normal : A few Ω
Switch (locking type)	 <p>CS-52 CS-67 CS-73 CS-83 CS-83A (#0163-) CS-99 CS-107 CS-108 CS-111</p>	24V 1.5A	※ Check contact Normal ON : ∞ Ω (for terminal 2-3, 5-6) 0 Ω (for terminal 2-1, 5-4) OFF : 0 Ω (for terminal 2-3, 5-6) ∞ Ω (for terminal 2-1, 5-4)
Room lamp	 <p>CL-1</p>	24V 10W	※ Check disconnection Normal : 1.0 Ω ON : 0 Ω (For terminal 1-2) ∞ Ω (For terminal 1-3) OFF : ∞ Ω (For terminal 1-2) 0 Ω (For terminal 1-3)

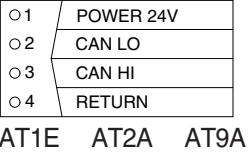
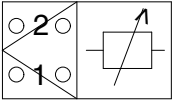
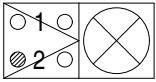
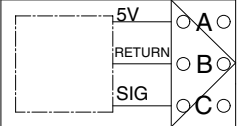
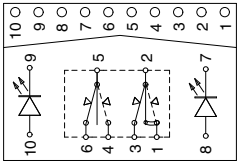
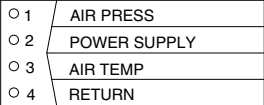
Part name	Symbol	Specifications	Check
Head lamp, Work lamp, Cab lamp	 <p>CL-3 CL-4 CL-5 CL-6 CL-8 CL-9 CL-10 CL-24</p>	24V 65W (H3 Type)	※ Check disconnection Normal : 1.2Ω
Beacon lamp	<p>#0162</p>  <p>#0163-</p>  <p>CL-7</p>	21V 70W (H1 Type)	※ Check disconnection Normal : A few Ω
Fuel filler pump	 <p>CN-61</p>	24V 10A 35 l /min	※ Check resistance Normal : 1.0Ω
Hour meter	 <p>CN-48</p>	16~32V	※ Check operation Supply power(24V) to terminal No.1 and connect terminal No.2 and ground
Horn	 <p>CN-20 CN-25</p>	DC22~28V 2A	※ Check operation Supply power(24V) to each terminal and connect ground.
Safety switch	 <p>CS-4</p>	24V 15A (N.C TYPE)	※ Check contact Normal : 0Ω (for terminal A-B) ∞Ω (for terminal A-C) Operating : ∞Ω (for terminal A-B) 0Ω (for terminal A-C)

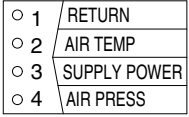
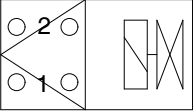
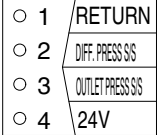
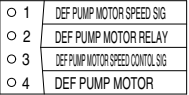
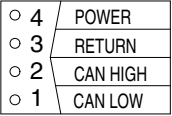
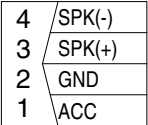
Part name	Symbol	Specifications	Check
Wiper cut switch	 <p>CS-53</p>	24V (N.O TYPE)	※ Check contact Normal : 0Ω (one pin to ground)
Receiver dryer	 <p>CN-29</p>	24V 2.5A	※ Check contact Normal : ∞Ω
Radio & USB player	 <p>CN-27A</p>	24V 2A	※ Check voltage 20~25V (for terminal 1-3, 3-8)
Washer pump	 <p>CN-22 CN-408</p>	24V 3.8A	※ Check contact Normal : 10.7Ω (for terminal 1-2)
Wiper motor	 <p>CN-21</p>	24V 2A	※ Check disconnection Normal : 7Ω (for terminal 2-6)
DC/DC Converter	 <p>CN-138</p>	12V 3A	※ Check voltage 24V (for terminal 1-2) 12V (for terminal 1-3)

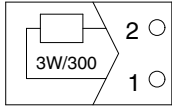
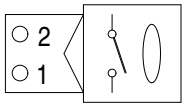
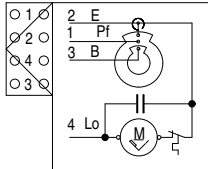
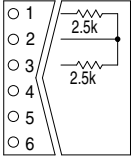
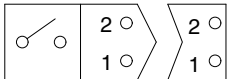
Part name	Symbol	Specifications	Check
Cigar lighter	 <p>CL-2</p>	24V 5A 1.4W	※ Check coil resistance Normal : About 1MΩ ※ Check contact Normal : ∞Ω Operating time : 5~15sec
Alternator	 <p>CN-74</p>	Denso 24V 95A	※ Check contact Normal : 0Ω (for terminal B ⁺ -L) Normal : 24~27.5V
Starter	 <p>CN-45</p>	Denso 24V 7.8kW	※ Check contact Normal : 0.1Ω
Travel alarm	 <p>CN-81</p>	24V 0.5A	※ Check contact Normal : 5.2Ω
Aircon compressor	 <p>CN-28</p>	24V 79W	※ Check contact Normal : 13.4Ω
Start relay	 <p>CR-23</p>	24V 300A	※ Check contact Normal : 0.94Ω (for terminal 1-2)

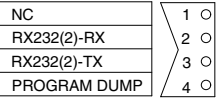
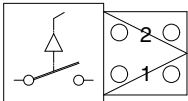
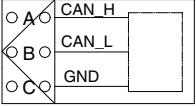
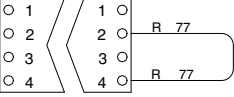
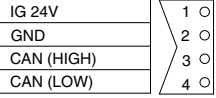
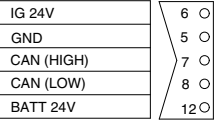
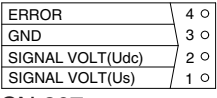
Part name	Symbol	Specifications	Check
Blower motor		24V 9.5A	※ Check resistance Normal : 2.5Ω (for terminal 1-2)
Thermistor (switch)		1°C OFF 4°C ON	※ Check resistance Normal : 0Ω (for terminal 1-2), the atmosphere temp : Over 4°C
Door switch		24V 2W	※ Check resistance Normal : About 5MΩ
Switch (power max, one touch decel, horn, breaker)		24V 6A	※ Check resistance Normal : ∞Ω
Circuit breaker		60A (CN-60) 90A (CN-95)	※ Check disconnection Normal : 0Ω (connect ring terminal and check resist between terminal 1 and 2)
Master switch		6-36V	※ Check disconnection Normal : 0.1Ω

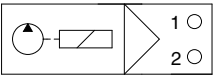
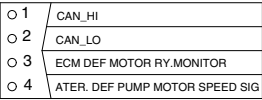
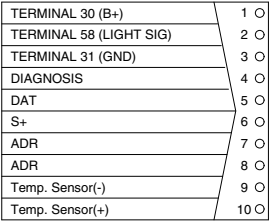
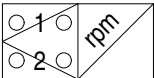
Part name	Symbol	Specifications	Check
Quick coupler buzzer	 <p>CN-113</p>	24V 200mA 107±4dB	
Socket	 <p>CN-139</p>	12V 10A	
Switch	 <p>CS-100</p>	24V 8A	※ Check contact Normal ON : 0Ω (for terminal 2-1, 2-3) OFF : ∞Ω (for terminal 2-1, 2-3)
Fuel heater	<p>#0162</p>  <p>#0163-</p>  <p>CN-96</p>	-	
DEF/AdBlue® line heater	 <p>CN-381 CN-382 CN-383</p>	-	
WIF sensor	 <p>CD-45</p>	-	

Part name	Symbol	Specifications	Check
DEF/AdBlue® sensor		-	
Temperature sensor (A/C)		-	
DEF/AdBlue® fill up warning lamp (LED)	 <p data-bbox="494 1012 564 1043">CL-40</p>	-	
Proportional valve sensor	 <p data-bbox="485 1308 692 1339">CN-246 CN-247</p>	-	
Switch	 <p data-bbox="485 1617 558 1648">CS-79</p>	24V 8A	<p>※ Check disconnection</p> <p>Normal</p> <p>ON</p> <p>1st step : 0Ω (for terminal 1-2)</p> <p>2nd step : 0Ω (for terminal 1-2, 4-5)</p> <p>OFF</p> <p>0Ω (for terminal 2-3, 5-6)</p>
Sensor	 <p data-bbox="485 1881 539 1912">C12</p>	-	

Part name	Symbol	Specifications	Check
Pressure temp sensor	 <p>CD-10</p>	-	
Coolant valve	 <p>CN-384</p>	-	
DPF pressure sensor	 <p>AT11A</p>	-	
SCR and DEF supply module	 <p>AT-5A</p>	-	
Tank level sensor	 <p>CN-380</p>	-	
Siren AMP	 <p>CN-261</p>	-	

Part name	Symbol	Specifications	Check												
Resistor	 <p>RS-1</p>	3W	※ Check resistance Normal : 300Ω												
Float switch	 <p>CS-61</p>	-													
Low wiper motor	 <p>CN-407</p>	-													
Camera (front, rear, side)	<table border="1" data-bbox="491 1176 651 1305"> <tr><td>○ 1</td><td>LVDS POS</td></tr> <tr><td>○ 2</td><td>GND</td></tr> <tr><td>○ 3</td><td>LVDS NEG</td></tr> <tr><td>○ 4</td><td>POWER 6.5V</td></tr> <tr><td>○ 5</td><td>NC</td></tr> <tr><td>○ 6</td><td>ADJUST SIGNAL</td></tr> </table> <p>CN-249 CN-402 CN-403 CN-404 CN-405</p>	○ 1	LVDS POS	○ 2	GND	○ 3	LVDS NEG	○ 4	POWER 6.5V	○ 5	NC	○ 6	ADJUST SIGNAL	-	
○ 1	LVDS POS														
○ 2	GND														
○ 3	LVDS NEG														
○ 4	POWER 6.5V														
○ 5	NC														
○ 6	ADJUST SIGNAL														
Resistor	 <p>CN-16B</p>	-													
Seat belt sw	 <p>CS-250</p>	-													

Part name	Symbol	Specifications	Check
RMS service tool	 <p>CS-126A</p>	-	
Breaker switch	 <p>CS-26A</p>	-	
Start button	 <p>CS-2B</p>	-	
GPS connector	 <p>CN-125</p>	-	
Reader	<p>-#0162</p>  <p>#0163-</p>  <p>CN-427</p>	-	
Proportional valve	<p>-#0003</p>  <p>CN-307</p>	-	

Part name	Symbol	Specifications	Check
Dosing pump	 <p data-bbox="475 432 561 461">CN-269</p>	-	
Engine side cross over connector	 <p data-bbox="464 723 533 752">CC8C</p>	-	
Easystart timer	 <p data-bbox="451 1068 536 1097">CN-267</p>	-	
Fan speed	 <p data-bbox="501 1274 576 1303">CD-52</p>	-	

GROUP 4 CONNECTORS

1. CONNECTOR DESTINATION

Connector number	Type	No. of pin	Destination	Connector part No.	
				Female	Male
CN-1	AMP	12	l/conn (Frame harness-Pump PS harness)	S816-010002	S816-110002
CN-2	AMP	15	l/conn (Frame harness-Engine harness)	2-85262-1	368301-1
CN-3A	TYCO	12	l/conn (Frame harness-Pro vlv harness)	174661-2	368537-1
CN-4	AMP	16	l/conn (Console harness LH-Frame harness)	368047-1	368050-1
CN-5	DEUTSCH	60	l/conn (Side harness RH-Frame harness)	DRB16-60SAE-L018	DRB12-60PAE-L018
CN-6	AMP	16	l/conn (Console harness RH-Frame harness)	368047-1	368050-1
CN-7	AMP	15	l/conn (Console harness RH-Frame harness)	2-85262-1	368301-1
CN-8	AMP	10	l/conn (Console harness RH-Frame harness)	S816-010002	174657-2
CN-9	DEUTSCH	12	l/conn (Frame harness-AAVM harness)	DT06-12SA-P021	DT04-12PA-P021
CN-10	DEUTSCH	12	l/conn (Cab harness-Side harness RH)	DT06-12S-EP06	DT04-12PA-P021
CN-11	DEUTSCH	8	l/conn (Frame harness-Aircon harness)	DT06-8S-EP06	-
CN-12	DEUTSCH	2	l/conn (Frame harness-Boom wire harness)	DT06-2S-EP06	DT04-2P-E005
CN-13	AMP	6	l/conn (Frame harness-Boom floating harness)	174262-2	174264-2
CN-14	AMP	4	l/conn (Frame harness-Swing parking & fine control)	174257-2	174259-2
CN-15	AMP	10	l/conn (Frame harness-2-way harness)	174655-2	174657-2
CN-16	TYCO	6	Emergency engine start & speed control	S816-006002	S816-106002
CN-16B	-	6	Resistor	S816-006002	21NB-10710
CN-17	AMP	8	l/conn (Side harness RH-Wiper harness)	S816-008002	S816-108002
CN-18	TYCO	2	l/conn (Frame harness-Washer pump)	174352-2	174354-2
CN-20	DEUTSCH	2	Horn	DT06-2S-EP06	-
CN-21	AMP	6	Wiper motor	S810-006202	-
CN-22	KET	2	Washer pump	MG640605	-
CN-23	KET	2	Speaker-LH	MG610070	-
CN-24	KET	2	Speaker-RH	MG610070	-
CN-25	DEUTSCH	2	Horn	DT06-2S-EP06	-
CN-27A	KUM	16	Radio & USB player	PK145-16017	-
CN-27B	AMP	8	Radio & USB player	-	174984-2
CN-28	KET	2	Aircon compressor	MG610320	-
CN-29	KET	2	Receiver dryer	MG640795	-
CN-36	-	-	Fuse & relay box	21Q7-10910	24L1-05100
CN-45	RING-TERM	-	Starter motor B+	S820-108000	-
CN-48	KET	1	Hour meter	2-520193-2	-
CN-51	TE	34	United MCU	2-1437285-3	3-6437285-0
CN-52	TE	34	United MCU	4-1437290-1	6473427-1
CN-53	TE	26	United MCU	1473416-1	6473427-1
CN-54	TE	34	United MCU	4-1437290-0	6437288-1

Connector number	Type	No. of pin	Destination	Connector part No.	
				Female	Male
CN-56A	AMP	12	Cluster	-	174663-2
CN-56B	AMP	8	Cluster	-	174984-2
CN-60	YAZAKI	2	Circuit breaker	-	7222-4220-30
CN-61	DEUTSCH	4	Fuel filler pump	DT06-4S-EP06	DT04-4P-E005
CN-62	DEUTSCH	2	Auto grease connector	DT06-2S-EP06	DT04-2P-E005
CN-66	DEUTSCH	2	Breaker solenoid	DT06-2S-EP06	-
CN-68	DEUTSCH	2	Safety solenoid	DT06-2S-EP06	-
CN-70	DEUTSCH	2	Travel high solenoid	DT06-2S-EP06	-
CN-74	RING-TERM	1	Alternator "I" terminal	S820-105000	-
CN-74	RING-TERM	1	Alternator "B+" terminal	S820-108000	-
CN-75	AMP	2	Pump EPPR	174352-2	-
CN-81	DEUTSCH	2	Travel buzzer solenoid	DT06-2S-EP06	-
CN-88	DEUTSCH	2	Power max solenoid	DT06-2S-EP06	-
CN-93	DELPHI	96	ECM	13964577	-
CN-95	YAZAKI	2	Circuit breaker	-	7222-4220-30
CN-96	AMP	4	Fuel heater	2-967325-3	2-967402-1
CN-100	KET	1	ECM ground	MG640944-5	-
CN-113	KET	2	Buzzer	MG651205-5	-
CN-125	Econoseal J	4	GPS connector	S816-004002	S816-104002
CN-125A	DEUTSCH	12	RMS	DT06-12S-P021	DT04-12PA-P021
CN-125B	DEUTSCH	8	RMS	DT06-8S	DT04-8P
CN-126	AMP	10	Service tool	174655-2	-
CN-126A	DEUTSCH	4	RMS Service tool	DT06-4S	DT04-4P
CN-133	DEUTSCH	2	Boom priority solenoid	DT06-2S-EP06	-
CN-138	FASTEN	3	DC/DC Converter	S810-003202	-
CN-139	FASTEN	2	12V socket	172434-2	-
CN-140	DEUTSCH	2	Quick coupler solenoid	DT06-2S-EP06	DT04-2P-E005
CN-141	AMP	13	Wiper motor controller	172498-1	-
CN-147	DEUTSCH	2	Fuel heater	DT06-2S-EP06	-
CN-149	DEUTSCH	2	Attach safety solenoid	DT06-2S-EP06	-
CN-150	DEUTSCH	2	2 way select solenoid	DT06-2S-EP06	-
CN-154	DEUTSCH	2	Cooling fan	DT06-2S-EP06	-
CN-156	DEUTSCH	2	Seat heat	DT06-2S	DT04-2P
CN-157	AMP	1	Antena power	S822-014002	-
CN-173	DEUTSCH	3	Resistor	DT06-3S-EP06	DT04-3P-EP10
CN-174	DEUTSCH	3	Resistor	DT06-3S-EP06	DT04-3P-E005
CN-237	DEUTSCH	2	Attach conflux solenoid	DT06-2S-EP06	-
CN-242	DEUTSCH	2	P1 regulator EPPR	DT06-2S-EP06	-
CN-243	DEUTSCH	2	P2 regulator EPPR	DT06-2S-EP06	-

Connector number	Type	No. of pin	Destination	Connector part No.	
				Female	Male
CN-245	KET	2	PTC power	MG620558	-
CN-246	DEUTSCH	3	Proportional valve-RH	DT06-3S	DT04-3P
CN-246A/B	DEUTSCH	4	I/conn (Engine block heater harness -Timer harness)	DT06-4S-EP06	DT04-4P-EP06
CN-247	DEUTSCH	3	Proportional valve-LH	DT06-3S	DT04-3P
CN-249	DEUTSCH	6	Rear view camera	DT06-6S-EP06	DT04-6P-E005
CN-258	KET	1	Air compressor power	MG640944-5	MG650943-5
CN-260	AMP	2	Siren lamp	174352-2	174354-2
CN-260	MTA	2	Engine block heater fuse box	03 01315	-
CN-261	MTA	2	Engine block heater fuse box	03 01305	-
CN-261	KET	2	Siren AMP	MG610047	-
CN-262	DEUTSCH	2	I/conn (Frame harness - Straight travel solenoid harness)	DT06-2S-EP06	DT04-2P-E005
CN-262A	DEUTSCH	2	Travel solenoid 1	DT06-2S-EP06	-
CN-262B	DEUTSCH	2	Travel solenoid 2	DT06-2S-EP06	-
CN-263	DEUTSCH	2	Air compressor relay	DT06-2S-EP06	DT04-2P-E005
CN-265	VW	8	Engine block heater controller	3A0973734	-
CN-267	MOLEX	10	Easy start timer	15-97-5101	-
CN-269	TE	2	Dosing pump	282189-1	-
CN-305	DEUTSCH	12	Proportional-Connector-1	DTM06-12SA	-
CN-306	DEUTSCH	12	Proportional-Connector-2	DTM06-12SB	-
CN-307	DEUTSCH	3	Proportional-Service tool	DT06-3S-EP06	DT06-3P-E005
CN-308	AMP	4	Proportional-PVG32	2-967059-1	-
CN-309	DEUTSCH	2	Proportional-EPPR valve A2	DT06-2S-EP06	-
CN-310	DEUTSCH	2	Proportional-EPPR valve A1	DT06-2S-EP06	-
CN-363	AMP	12	Jog dial module	174045-2	-
CN-365	DEUTSCH	2	Attach relief EPPR valve 1(LH)	DT06-2S-EP06	DT04-2P-E005
CN-366	DEUTSCH	2	Attach relief EPPR valve 2(RH)	DT06-2S-EP06	DT04-2P-E005
CN-367	KET/DEUTSCH	2	Boom down floating solenoid	85202-1	DT04-2P-E005
CN-368	DEUTSCH	2	Boom up floating solenoid	DT06-2S-EP06	DT04-2P-E005
CN-369	DEUTSCH	2	Boom down cut off solenoid	DT06-2S-EP06	DT04-2P-E005
CN-370	DEUTSCH	2	Swing fine control solenoid	DT06-2S-EP06	DT04-2P-E005
CN-376	TYCO	23	Membrane controller	7706087-2	-
CN-380	DEUTSCH	4	DEF/AdBlue® tank level sensor	DT06-4S-EP06	-
CN-381	DEUTSCH	2	DEF line heater 3	DT06-2S-EP06	-
CN-382	DEUTSCH	2	DEF line heater 2	DT06-2S-EP06	-
CN-383	DEUTSCH	2	DEF line heater 1	DT06-2S-EP06	-
CN-384	TYCO	2	Coolant valve	-	1-967325-3
CN-401	TE	35	AAVM controller	776164-1	-
CN-402	DEUTSCH	6	Front view camera	DT06-6S-P021	DT04-6P-P021
CN-403	DEUTSCH	6	Rear view camera	DT06-6S-EP06	DT04-6P-P021

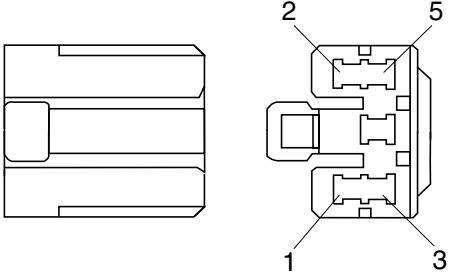
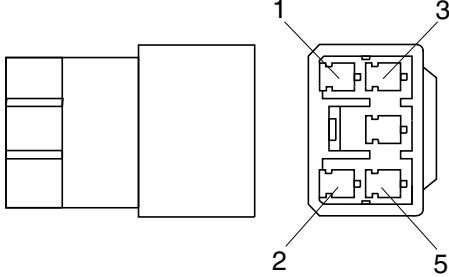
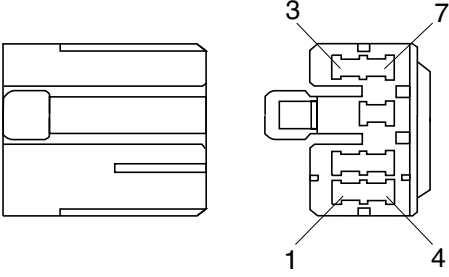
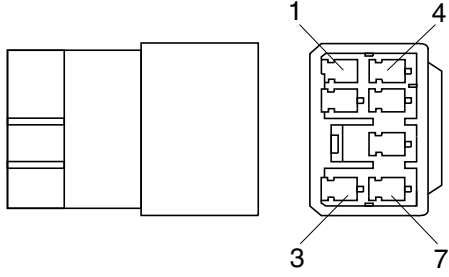
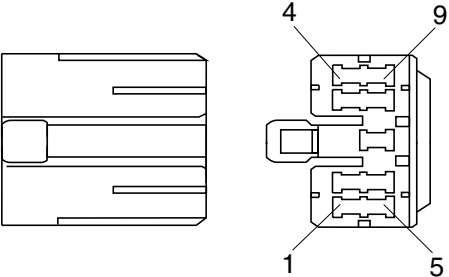
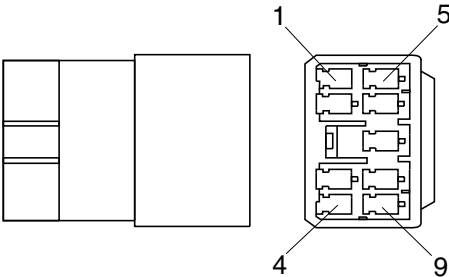
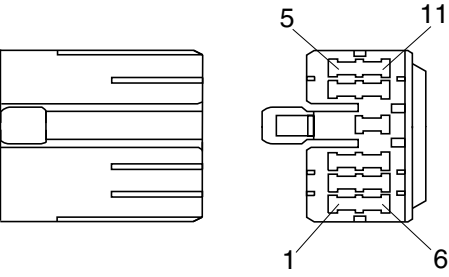
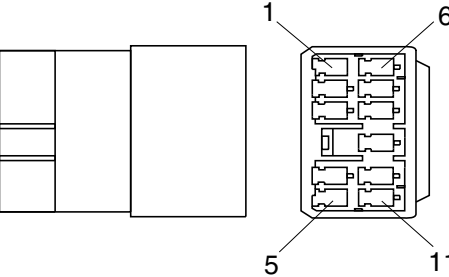
Connector number	Type	No. of pin	Destination	Connector part No.	
				Female	Male
CN-404	DEUTSCH	6	LH view camera	DT06-6S-EP06	DT04-6P-EP14
CN-405	DEUTSCH	6	RH view camera	DT06-6S-EP06	DT04-6P-EP14
CN-406	DEUTSCH	3	Service tool	DT06-3S-EP06	DT04-3P-E005
CN-407	DEUTSCH	4	Low wiper motor	DT06-4S-EP06	DT04-4P-E005
CN-408	KET	4	Washer tank	MG640605	-
CN-419	DEUTSCH	2	Swing parking-A1	DT06-2S-EP06	-
CN-420	DEUTSCH	2	Swing parking-A2	DT06-2S-EP06	-
CN-421	DEUTSCH	2	Swing parking-A3	DT06-2S-EP06	-
CN-427	MOLEX	4	Reader-RMS	039012040	026013096
		12		5557-12R	5559-12P
CN-430	TYCO/AMP	12	l/conn (Frame harness-Aftertreatment harness)	174661-2	S816-112002
AT1E	TYCO	4	Inlet Nox sensor	2-1418390-1	-
AT2A	TYCO	4	Outlet Nox sensor	1-1418390-1	-
AT-5A	TYCO	4	SCR supply module	2-1703639-1	-
AT-6A	TYCO	8	DEF/AdBlue® dosing module	1-141-8479-1	-
AT9A	TYCO	4	SCR temp sensor	4-1418390-1	-
AT11A	FRAMATOME	4	Diff perssure sensor	F715600	-
CC8C	DEUTSCH	4	Engine side cross over connector	DT06-4S-EP06	-
C-12	FCI	4	Air cleaner (ECM J1)	-	54200419
· Relay					
CR-1	RING-TERM	-	Battery relay	ST710289-2	-
CR-2	-	5	Horn relay	-	-
CR-4	-	5	Working lamp relay	-	-
CR-5	-	5	Anti restart relay	-	-
CR-7	-	5	Aircon compressor relay	-	-
CR-9	-	5	Cabin lamp relay	-	-
CR-13	-	5	Head lamp relay	-	-
CR-23	KET	2	Start relay	S814-002001	S814-102001
CR-24	RING TERM	1	Preheat relay	S822-014000	-
CR-35	-	5	Power relay	-	-
CR-36	-	5	Preheat relay	-	-
CR-39	-	5	Starter lock out relay	-	-
CR-46	-	5	Fuel warmer relay	-	-
CR-48	-	5	Safety relay	-	-
CR-50	-	5	NOx sensor relay	-	-
CR-51	-	5	DEF/AdBlue® module relay	-	-
CR-52	-	5	Line heater relay	-	-
CR-85	-	5	Beacon lamp relay	-	-

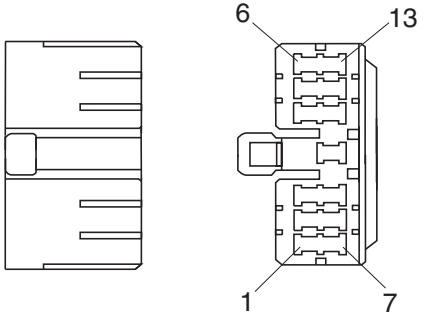
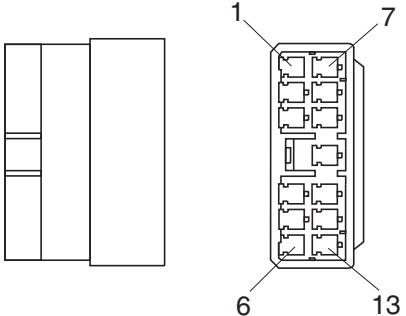
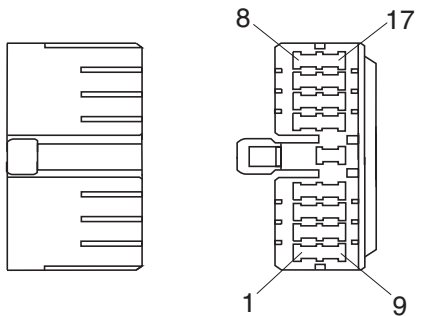
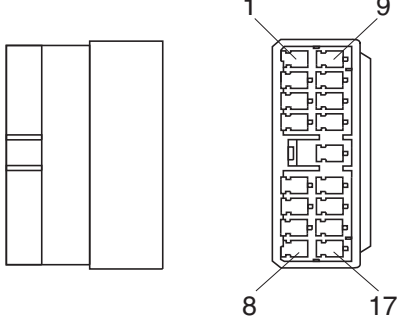
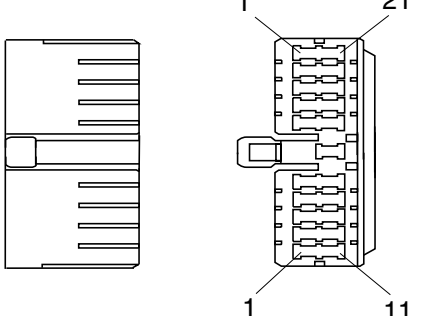
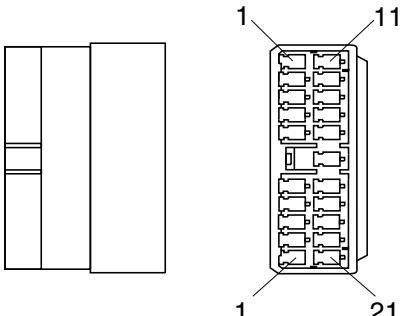
Connector number	Type	No. of pin	Destination	Connector part No.	
				Female	Male
· Switch					
CS-1	SHUR	1	Door switch	S822-014002	S822-114002
CS-2A	WP	6	Start switch	S814-006100	-
CS-2B	DEUTSCH	3	Start button	DT06-3S-EP06	DT04-3P-E005
CS-2C	KET	3	Button start	MG651032	-
CS-2D	KET	3	Button start key	-	MG641035
CS-4	DEUTSCH	3	Safety switch	DT06-3S	-
CS-5	DEUTSCH	2	Horn switch	-	DT04-2P
CS-19	DEUTSCH	2	One touch decel switch	-	DT04-2P
CS-26	DEUTSCH	2	Breaker switch	DT06-2S	-
CS-26A	AMP	2	Breaker pedal switch	S816-002002	S816-102002
CS-29	DEUTSCH	2	Power max switch	DT06-2S	-
CS-33	AMP	6	Emergency engine stop switch	S816-006002	S816-106002
CS-52	CARLING	10	2 Piece switch	VC2-01	-
CS-53	AMP	1	Wiper cut switch	S822-014002	-
CS-61	AMP	2	Floating switch	174352-2	174354-2
CS-67	CARLING	10	Quick coupler switch	VC2-01	-
CS-73	CARLING	10	Swing lock switch	VC2-01	-
CS-73A	CARLING	10	Swing fine switch	VC2-01	-
CS-74	DEUTSCH	2	Master switch	DT06-2S-EP06	-
CS-74B	DEUTSCH	2	Master switch	DT06-2S-EP06	-
CS-79	CARLING	10	Lower wiper switch	VC2-01	-
CS-83	CARLING	10	Swing lock switch	VC2-01	-
CS-99	CARLING	10	Air compressor switch	VC2-01	-
CS-100	CARLING	10	Exhaust system cleaning switch	VC2-01	-
CS-107	CARLING	10	Travel straight switch	VC2-01	-
CS-108	CARLING	10	Auto grease switch	VC2-01	-
CS-111	CARLING	10	Boom floating switch	VC2-01	-
CS-250	DEUTSCH	2	Seat switch	DT06-2S	-
· Light					
CL-1	KET	3	Room lamp	MG651032	-
CL-2	AMP	1	Cigar lighter	S822-014002	S822-114002
				S822-014002	-
CL-3	DEUTSCH	2	Head lamp-LH	DT06-2S-EP06	DT04-2P
CL-4	DEUTSCH	2	Head lamp-RH	DT06-2S-EP06	DT04-2P
CL-5	DEUTSCH	2	Work lamp-LH	DT06-2S-EP06	DT04-2P
CL-6	DEUTSCH	2	Work lamp-RH	DT06-2S-EP06	DT04-2P
CL-7	SHUR	1	Beacon lamp	S822-014002	S822-114002
CL-8	DEUTSCH	2	Cab lighter-LH	DT06-2S-EP06	DT04-2P

Connector number	Type	No. of pin	Destination	Connector part No.	
				Female	Male
CL-9	DEUTSCH	2	Cab lighter-RH	DT06-2S-EP06	DT04-2P
CL-10	DEUTSCH	2	Cab lighter - RH	DT06-2S-EP06	DT04-2P
CL-24	DEUTSCH	2	Head lamp-rear	DT06-2S-EP06	DT04-2P-E005
CL-36	DEUTSCH	2	Work lamp - LH	DT06-2S-EP06	-
CL-37	DEUTSCH	2	Work lamp - RH	DT06-2S-EP06	-
CL-40	DEUTSCH	2	DEF/AdBlue® lamp	DT06-2S-EP06	-
Sensor, sendor					
CD-1	AMP	2	Hydraulic oil temp sender	85202-1	-
CD-2	DEUTSCH	2	Fuel sender	DT06-2S-EP06	-
CD-6	DEUTSCH	3	Travel pilot pressure switch	DT06-3S-EP06	-
CD-7	DEUTSCH	3	Working pilot pressure switch	DT06-3S-EP06	-
CD-10	SUMITOMO	4	Pressure & temperature sensor	6098-0144	-
CD-10A	AMP	2	Air cleaner switch	85202-1	-
CD-16	AMP	3	Water level sensor	1211 0293	-
CD-24	DEUTSCH	3	Swing pilot pressure sensor	DT06-3S-EP06	-
CD-31	DEUTSCH	3	Overload pressure sensor	DT06-3S-EP06	DT04-3P-E005
CD-32	DEUTSCH	3	Boom up pilot pressure sw	DT06-3S-EP06	-
CD-35	DEUTSCH	3	Bucket in pilot pressure sw	DT06-3S-EP06	-
CD-42	DEUTSCH	3	Pump pressure 1	DT06-3S-EP06	-
CD-43	DEUTSCH	3	Pump pressure 2	DT06-3S-EP06	-
CD-44	DEUTSCH	3	Pump pressure 3	DT06-3S-EP06	-
CD-45	DEUTSCH	2	WIF sensor	DT06-2S-EP06	-
CD-52	AMP	2	Fan speed	174352-2	-
CD-69	DEUTSCH	3	Attach pressure sensor	DT06-3S-EP06	-
CD-70	DEUTSCH	3	N1 pressure sensor	DT06-3S-EP06	-
CD-71	DEUTSCH	3	N2 pressure sensor	DT06-3S-EP06	-
CD-85	DEUTSCH	3	Boom down pilot pressure sw	DT06-3S-EP06	-
CD-86	DEUTSCH	3	Arm out pilot pressure sw	DT06-3S-EP06	-
CD-87	DEUTSCH	3	Bucket out pilot pressure sw	DT06-3S-EP06	-
CD-90	DEUTSCH	3	Arm in pilot pressure sw	DT06-3S-EP06	-
CD-124	DEUTSCH	3	Boom cylinder rod pressure sensor	DT06-3S-EP06	-

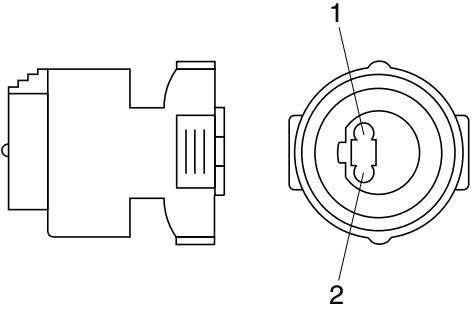
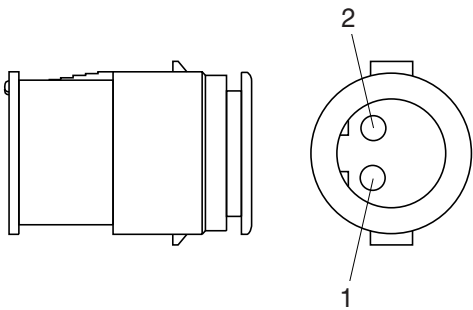
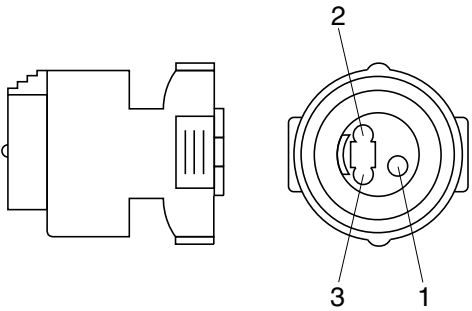
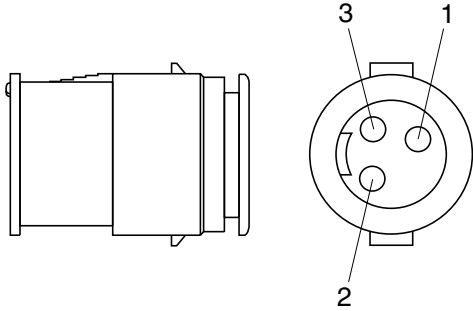
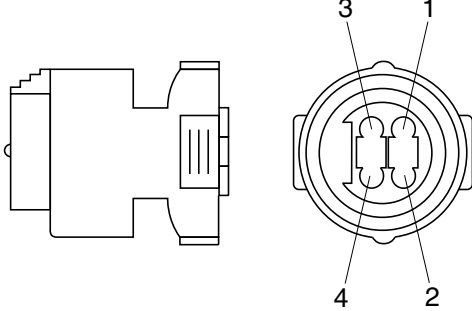
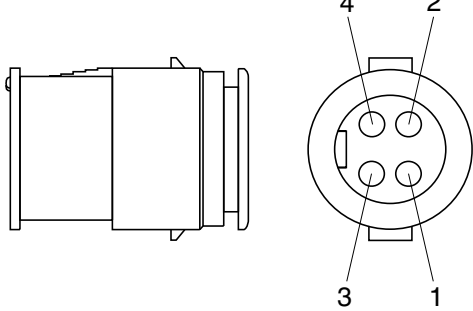
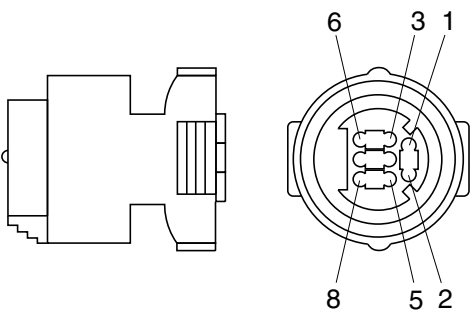
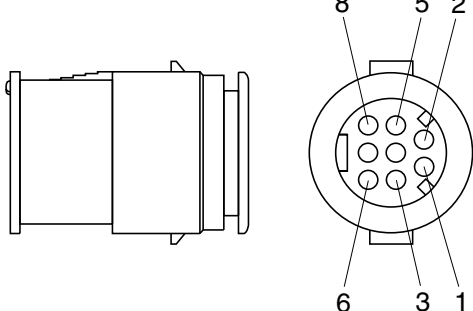
2. CONNECTION TABLE FOR CONNECTORS

1) PA TYPE CONNECTOR

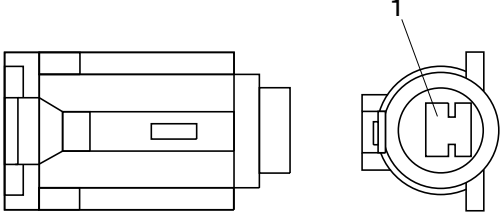
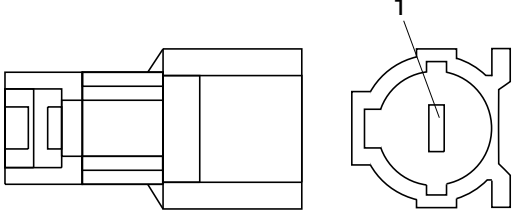
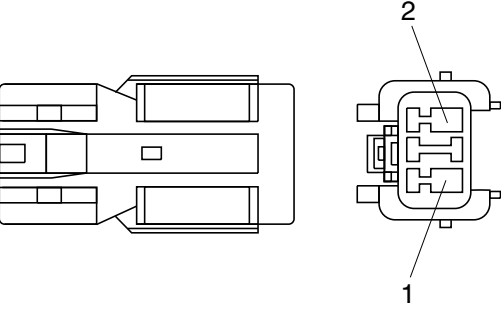
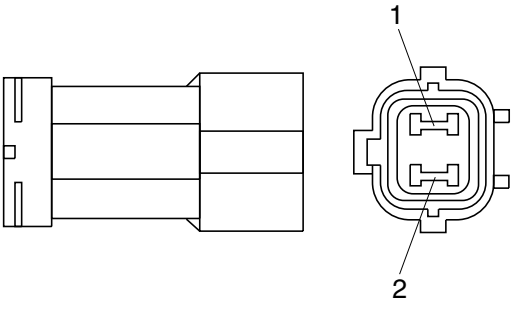
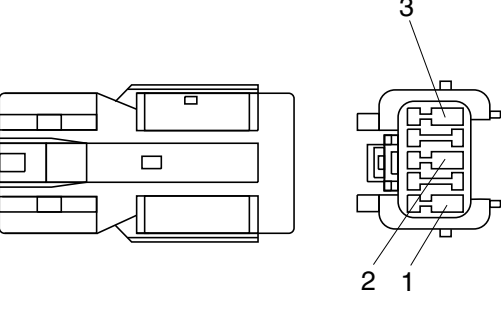
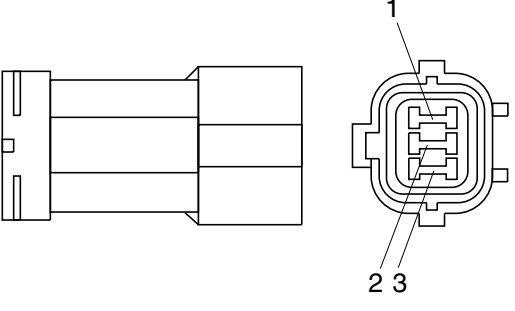
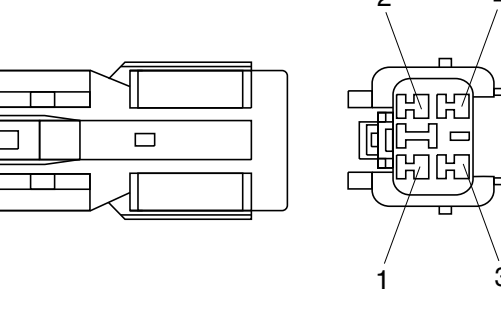
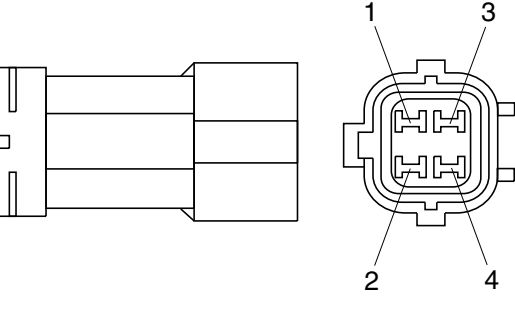
No. of pin	Receptacle connector (female)	Plug connector (male)
5	 <p style="text-align: center;">S811-005002</p>	 <p style="text-align: center;">S811-105002</p>
7	 <p style="text-align: center;">S811-007002</p>	 <p style="text-align: center;">S811-107002</p>
9	 <p style="text-align: center;">S811-009002</p>	 <p style="text-align: center;">3S811-109002</p>
11	 <p style="text-align: center;">S811-011002</p>	 <p style="text-align: center;">S811-111002</p>

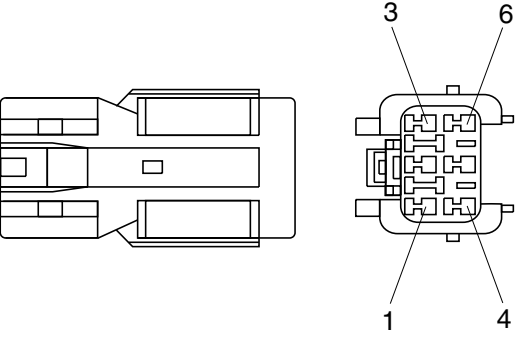
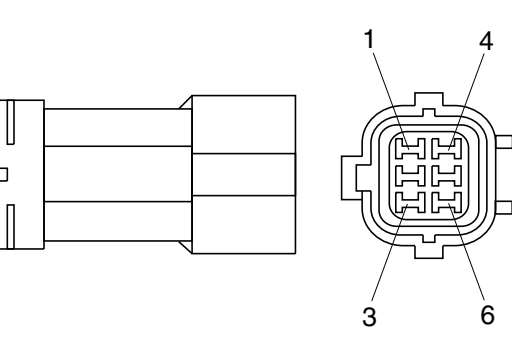
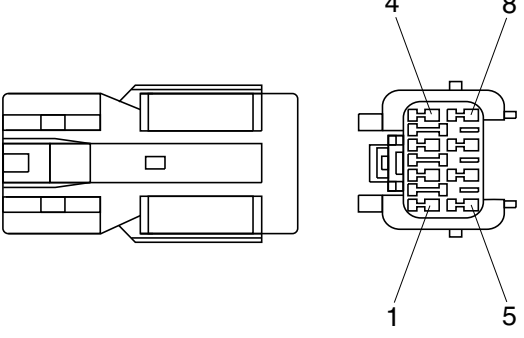
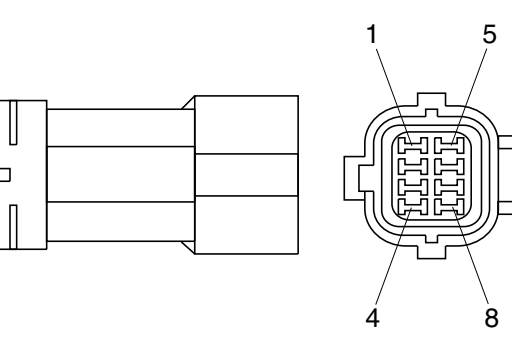
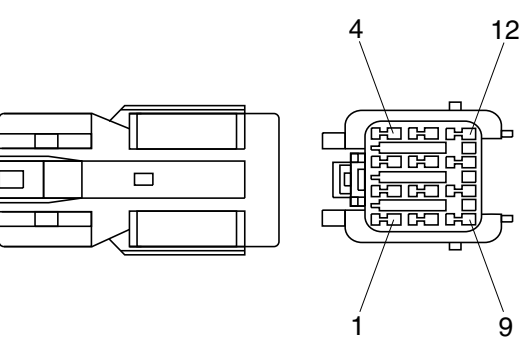
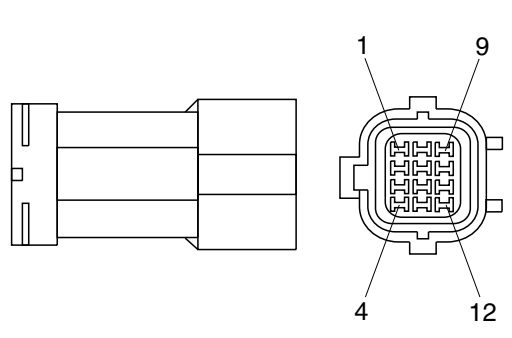
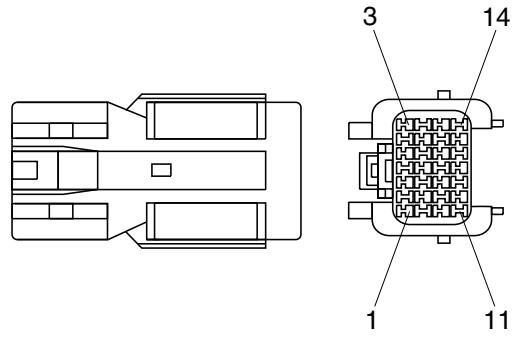
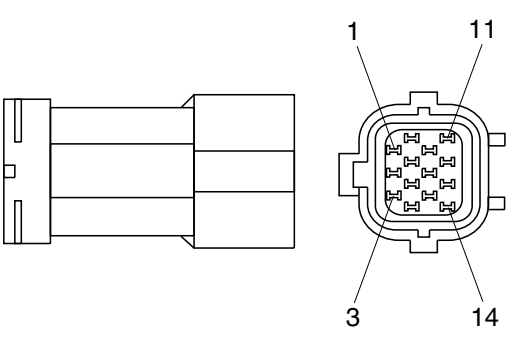
No. of pin	Receptacle connector (female)	Plug connector (male)
13	 <p style="text-align: center;">S811-013002</p>	 <p style="text-align: center;">S811-113002</p>
17	 <p style="text-align: center;">S811-017002</p>	 <p style="text-align: center;">S811-117002</p>
21	 <p style="text-align: center;">S811-021002</p>	 <p style="text-align: center;">S811-121002</p>

2) J TYPE CONNECTOR

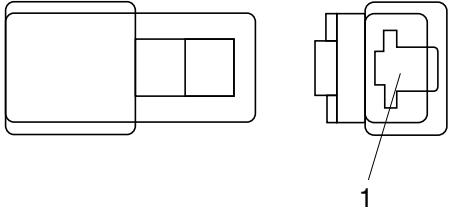
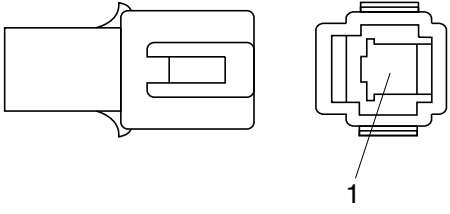
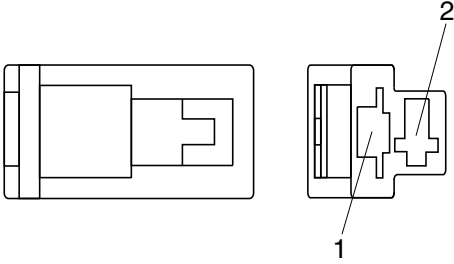
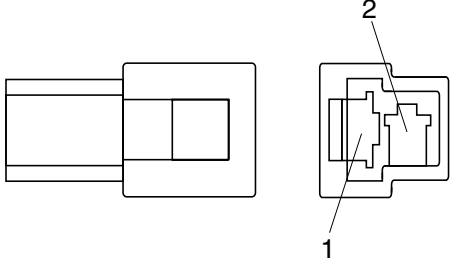
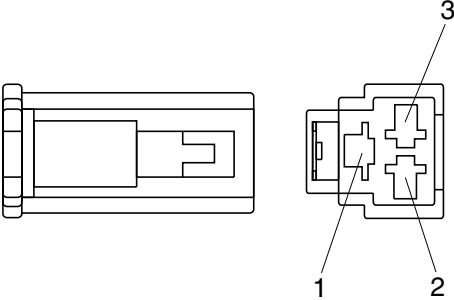
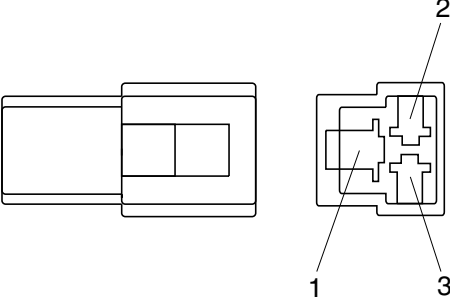
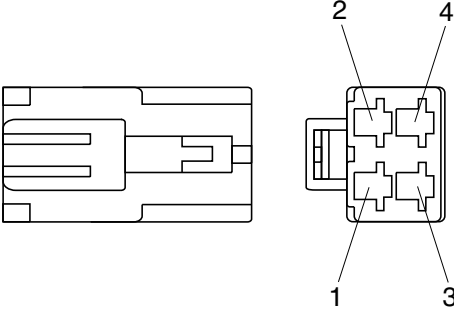
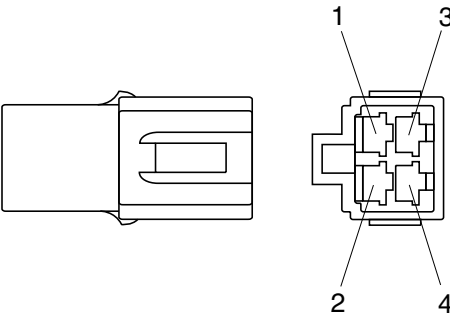
No. of pin	Receptacle connector (female)	Plug connector (male)
2	 <p style="text-align: center;">S816-002001</p>	 <p style="text-align: center;">S816-102001</p>
3	 <p style="text-align: center;">S816-003001</p>	 <p style="text-align: center;">S816-103001</p>
4	 <p style="text-align: center;">S816-004001</p>	 <p style="text-align: center;">S816-104001</p>
8	 <p style="text-align: center;">S816-008001</p>	 <p style="text-align: center;">S816-108001</p>

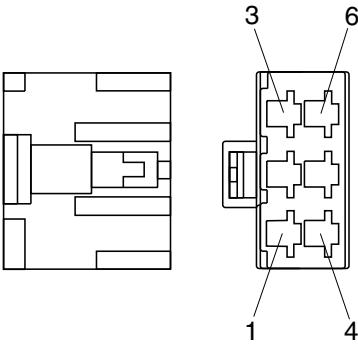
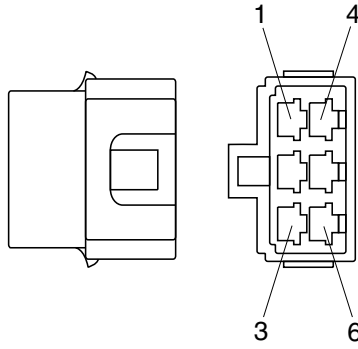
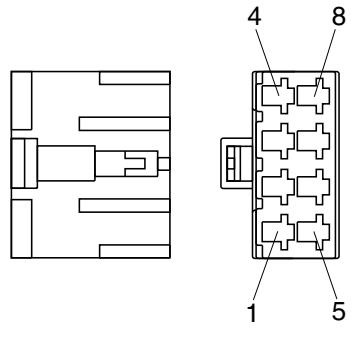
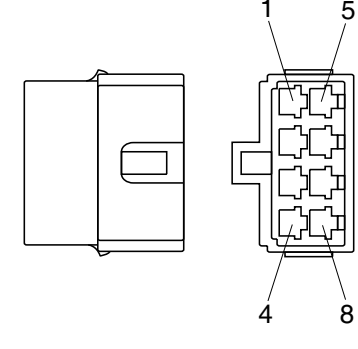
3) SWP TYPE CONNECTOR

No. of pin	Receptacle connector (female)	Plug connector (male)
1	 <p data-bbox="687 680 836 707">S814-001000</p>	 <p data-bbox="1241 680 1390 707">S814-101000</p>
2	 <p data-bbox="687 1088 836 1115">S814-002000</p>	 <p data-bbox="1241 1088 1390 1115">S814-102000</p>
3	 <p data-bbox="687 1498 836 1525">S814-003000</p>	 <p data-bbox="1241 1498 1390 1525">S814-103000</p>
4	 <p data-bbox="687 1908 836 1935">S814-004000</p>	 <p data-bbox="1241 1908 1390 1935">S814-104000</p>

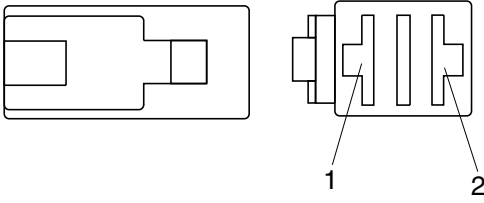
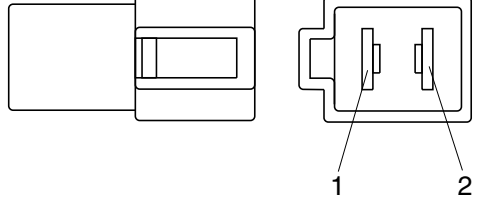
No. of pin	Receptacle connector (female)	Plug connector (male)
6	 <p data-bbox="686 638 837 672">S814-006000</p>	 <p data-bbox="1244 638 1396 672">S814-106000</p>
8	 <p data-bbox="686 1041 837 1075">S814-008000</p>	 <p data-bbox="1244 1041 1396 1075">S814-108000</p>
12	 <p data-bbox="686 1444 837 1478">S814-012000</p>	 <p data-bbox="1244 1444 1396 1478">S814-112000</p>
14	 <p data-bbox="686 1848 837 1881">S814-014000</p>	 <p data-bbox="1244 1848 1396 1881">S814-114000</p>

4) CN TYPE CONNECTOR

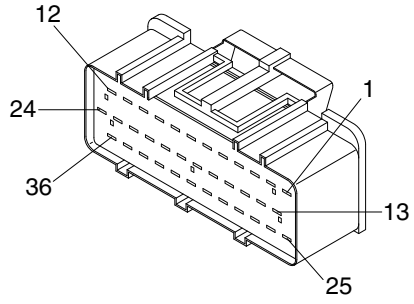
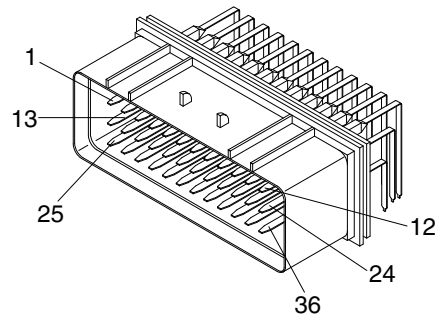
No. of pin	Receptacle connector (female)	Plug connector (male)
1	 <p style="text-align: center;">S810-001202</p>	 <p style="text-align: center;">S810-101202</p>
2	 <p style="text-align: center;">S810-002202</p>	 <p style="text-align: center;">S810-102202</p>
3	 <p style="text-align: center;">S810-003202</p>	 <p style="text-align: center;">S810-103202</p>
4	 <p style="text-align: center;">S810-004202</p>	 <p style="text-align: center;">S810-104202</p>

No. of pin	Receptacle connector (female)	Plug connector (male)
6	 <p data-bbox="686 638 837 672">S810-006202</p>	 <p data-bbox="1244 638 1396 672">S810-106202</p>
8	 <p data-bbox="686 1041 837 1075">S810-008202</p>	 <p data-bbox="1244 1041 1396 1075">S810-108202</p>

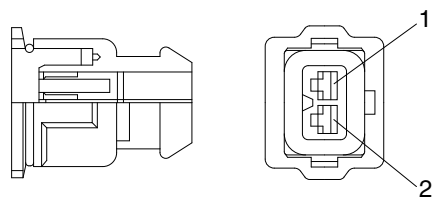
5) 375 FASTEN TYPE CONNECTOR

No. of pin	Receptacle connector (female)	Plug connector (male)
2	 <p style="text-align: center;">S810-002402</p>	 <p style="text-align: center;">S810-102402</p>

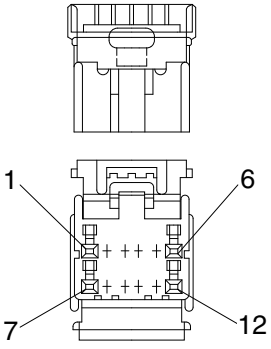
6) AMP ECONOSEAL CONNECTOR

No. of pin	Receptacle connector (female)	Plug connector (male)
36	 <p style="text-align: center;">344111-1</p>	 <p style="text-align: center;">344108-1</p>

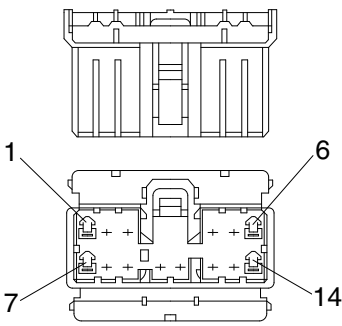
7) AMP TIMER CONNECTOR

No. of pin	Receptacle connector (female)	Plug connector (male)
2	 <p style="text-align: center;">85202-1</p>	

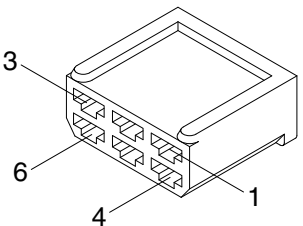
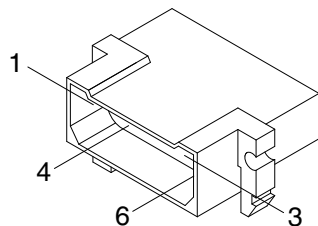
8) AMP 040 MULTILOCK CONNECTOR

No. of pin	Receptacle connector (female)	Plug connector (male)
12	 <p style="text-align: right;">174045-2</p>	

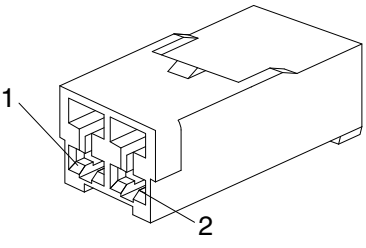
9) AMP 070 MULTILOCK CONNECTOR

No. of pin	Receptacle connector (female)	Plug connector (male)
14	 <p style="text-align: right;">173852</p>	

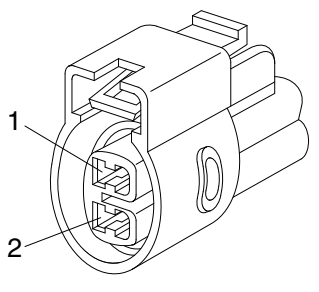
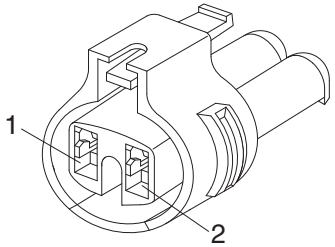
10) AMP FASTIN - FASTON CONNECTOR

No. of pin	Receptacle connector (female)	Plug connector (male)
6	 <p style="text-align: right;">925276-0</p>	 <p style="text-align: right;">480003-9</p>

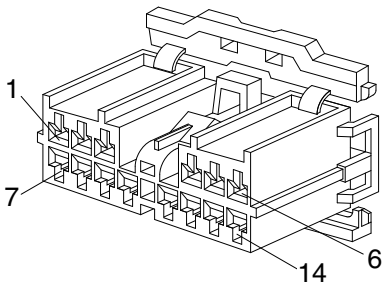
11) KET 090 CONNECTOR

No. of pin	Receptacle connector (female)	Plug connector (male)
2	 <p style="text-align: right;">MG610070</p>	

12) KET 090 WP CONNECTORS

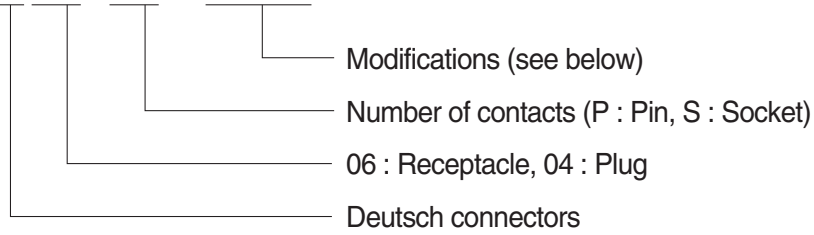
No. of pin	Receptacle connector (female)	Plug connector (male)
2	 <p style="text-align: right;">MG640605</p>	
2	 <p style="text-align: right;">MG640795</p>	

13) KET SDL CONNECTOR

No. of pin	Receptacle connector (female)	Plug connector (male)
14	 <p data-bbox="710 683 837 705">MG610406</p>	

14) DEUTSCH DT CONNECTORS

DT 06 - 3S - ★★☆☆



※ Modification

E003 : Standard end cap - gray

E004 : Color of connector to be black

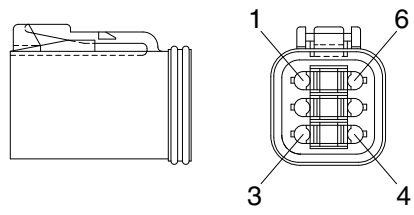
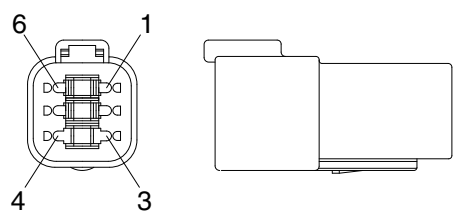
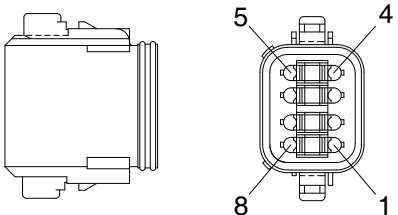
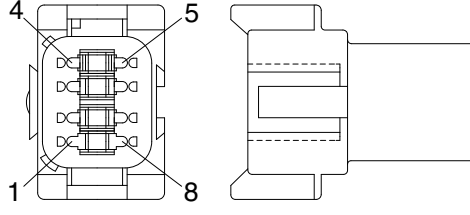
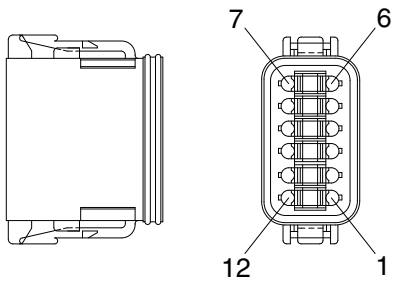
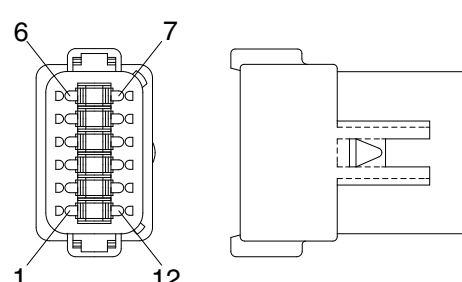
E005 : Combination - E004 & E003

EP04 : End cap

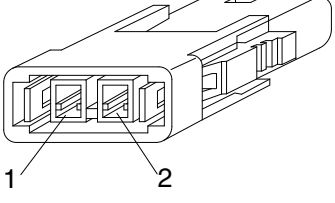
EP06 : Combination P012 & EP04

P012 : Front seal enhancement - connectors color to black for 2, 3, 4 & 6pin

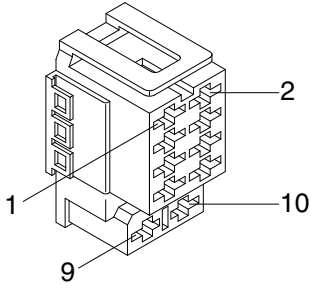
No. of pin	Receptacle connector (female)	Plug connector (male)
2	<p>DT06-2S</p>	<p>DT04-2P</p>
3	<p>DT06-3S</p>	<p>DT04-3P</p>
4	<p>DT06-4S</p>	<p>DT04-4P</p>

No. of pin	Receptacle connector (female)	Plug connector (male)
6	 <p style="text-align: center;">DT06-6S</p>	 <p style="text-align: center;">DT04-6P</p>
8	 <p style="text-align: center;">DT06-8S</p>	 <p style="text-align: center;">DT04-8P</p>
12	 <p style="text-align: center;">DT06-12S</p>	 <p style="text-align: center;">DT04-12P</p>

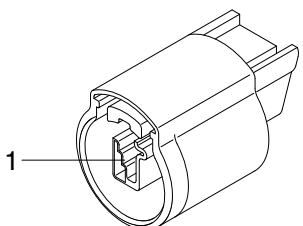
15) MOLEX 2CKTS CONNECTOR

No. of pin	Receptacle connector (female)	Plug connector (male)
2	 <p data-bbox="702 683 837 705">35215-0200</p>	

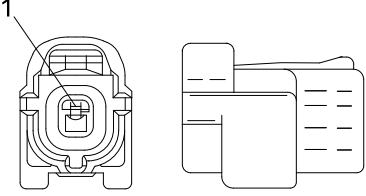
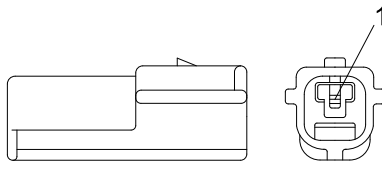
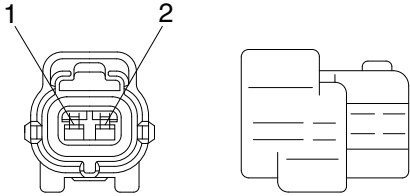
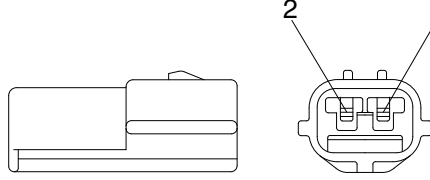
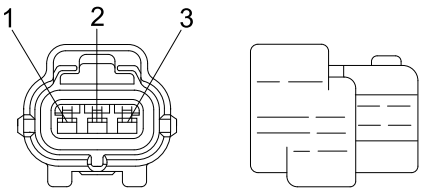
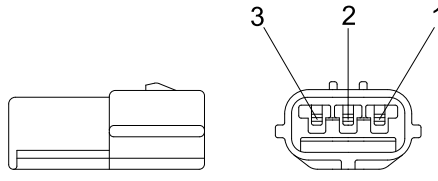
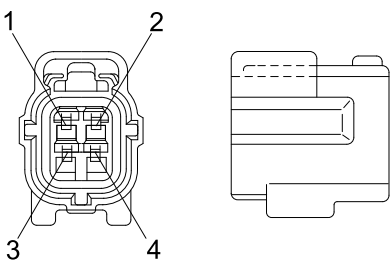
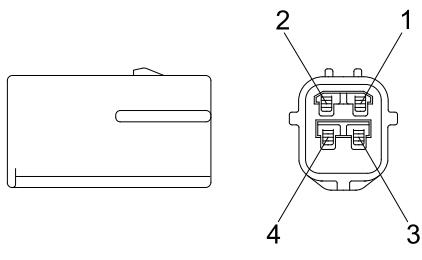
16) ITT SWF CONNECTOR

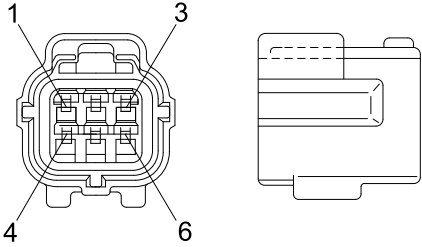
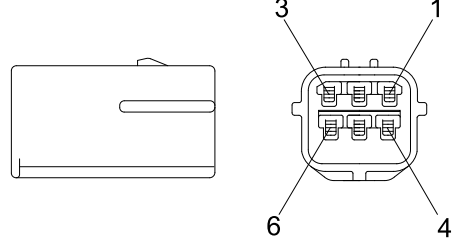
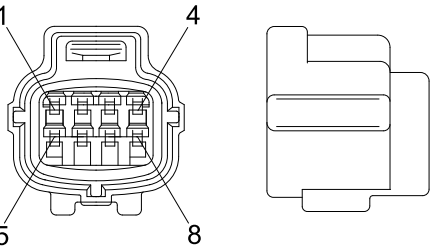
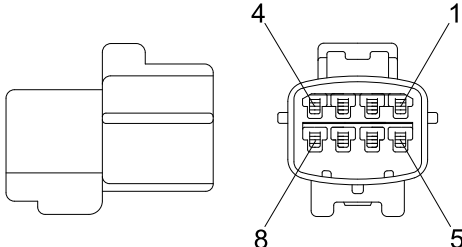
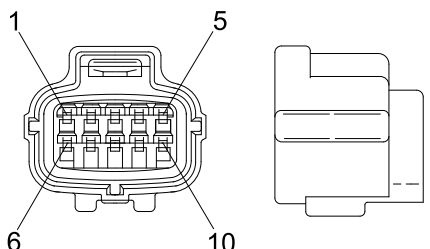
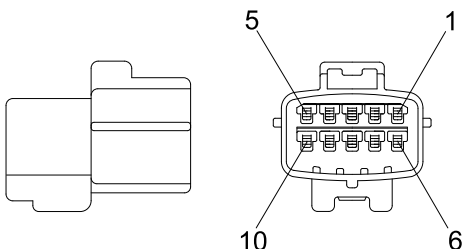
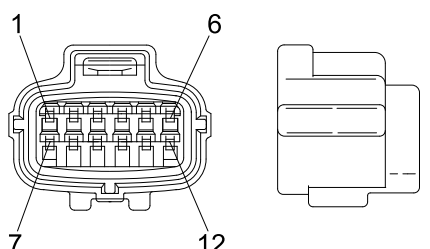
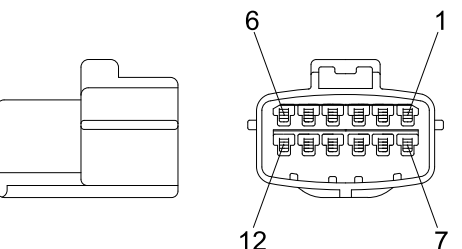
No. of pin	Receptacle connector (female)	Plug connector (male)
10	 <p data-bbox="694 1288 837 1310">SWF593757</p>	

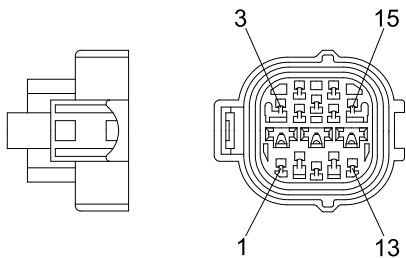
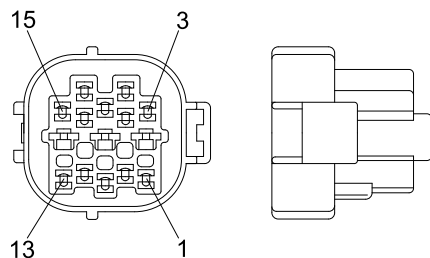
17) MWP NMWP CONNECTOR

No. of pin	Receptacle connector (female)	Plug connector (male)
1	 <p data-bbox="686 1892 837 1915">NMWP01F-B</p>	

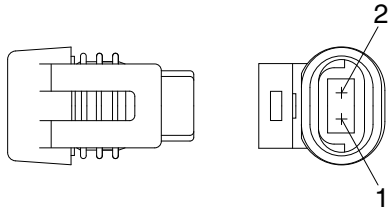
18) ECONOSEAL J TYPE CONNECTORS

No. of pin	Receptacle connector (female)	Plug connector (male)
1	 <p style="text-align: right;">S816-001002</p>	 <p style="text-align: left;">S816-101002</p>
2	 <p style="text-align: right;">S816-002002</p>	 <p style="text-align: left;">S816-102002</p>
3	 <p style="text-align: right;">S816-003002</p>	 <p style="text-align: left;">S816-103002</p>
4	 <p style="text-align: right;">S816-004002</p>	 <p style="text-align: left;">S816-104002</p>

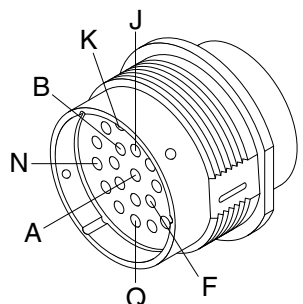
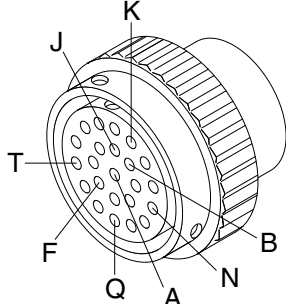
No. of pin	Receptacle connector (female)	Plug connector (male)
6	 <p data-bbox="686 638 837 672">S816-006002</p>	 <p data-bbox="1236 638 1388 672">S816-106002</p>
8	 <p data-bbox="686 1041 837 1075">S816-008002</p>	 <p data-bbox="1236 1041 1388 1075">S816-108002</p>
10	 <p data-bbox="686 1444 837 1478">S816-010002</p>	 <p data-bbox="1236 1444 1388 1478">S816-110002</p>
12	 <p data-bbox="686 1848 837 1881">S816-012002</p>	 <p data-bbox="1236 1848 1388 1881">S816-112002</p>

No. of pin	Receptacle connector (female)	Plug connector (male)
15	 <p data-bbox="730 633 834 663">368301-1</p>	 <p data-bbox="1278 633 1382 663">2-85262-1</p>

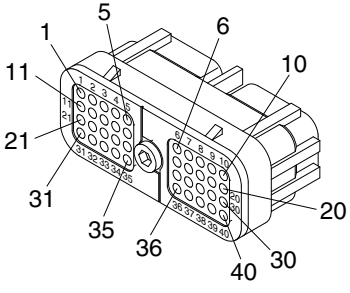
19) METRI-PACK TYPE CONNECTOR

No. of pin	Receptacle connector (female)	Plug connector (male)
2	 <p data-bbox="726 1236 829 1265">12040753</p>	

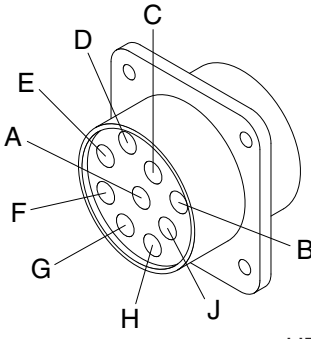
20) DEUTSCH HD30 CONNECTOR

No. of pin	Receptacle connector (female)	Plug connector (male)
23	 <p data-bbox="667 1841 834 1870">HD36-24-23SN</p>	 <p data-bbox="1220 1841 1388 1870">HD34-24-23PN</p>

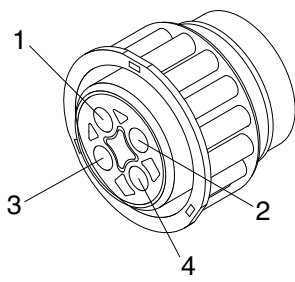
21) DEUTSCH MCU CONNECTOR

No. of pin	Receptacle connector (Female)	Plug connector (Male)
40	 <p style="text-align: right;">DRC26-40SA/B</p>	

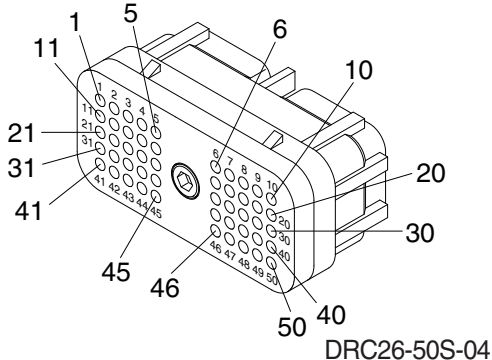
22) DEUTSCH SERVICE TOOL CONNECTOR

No. of pin	Receptacle connector (Female)	Plug connector (Male)
9	 <p style="text-align: right;">HD10-9-96P</p>	

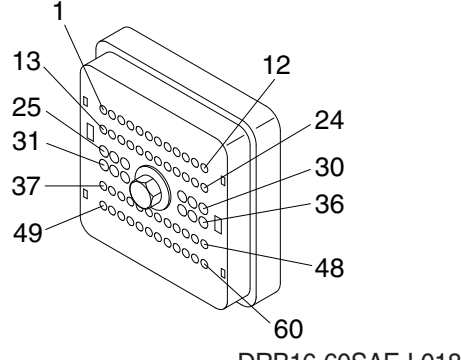
23) AMP FUEL WARMER CONNECTOR

No. of pin	Receptacle connector (Female)	Plug connector (Male)
4	 <p style="text-align: right;">2-967325-3</p>	

24) DEUTSCH ENGINE ECM CONNECTOR

No. of pin	Receptacle connector (Female)	Plug connector (Male)
50	 <p style="text-align: right;">DRC26-50S-04</p>	

25) DEUTSCH INTERMEDIATE CONNECTOR

No. of pin	Receptacle connector (Female)	Plug connector (Male)
60	 <p style="text-align: right;">DRB16-60SAE-L018</p>	