

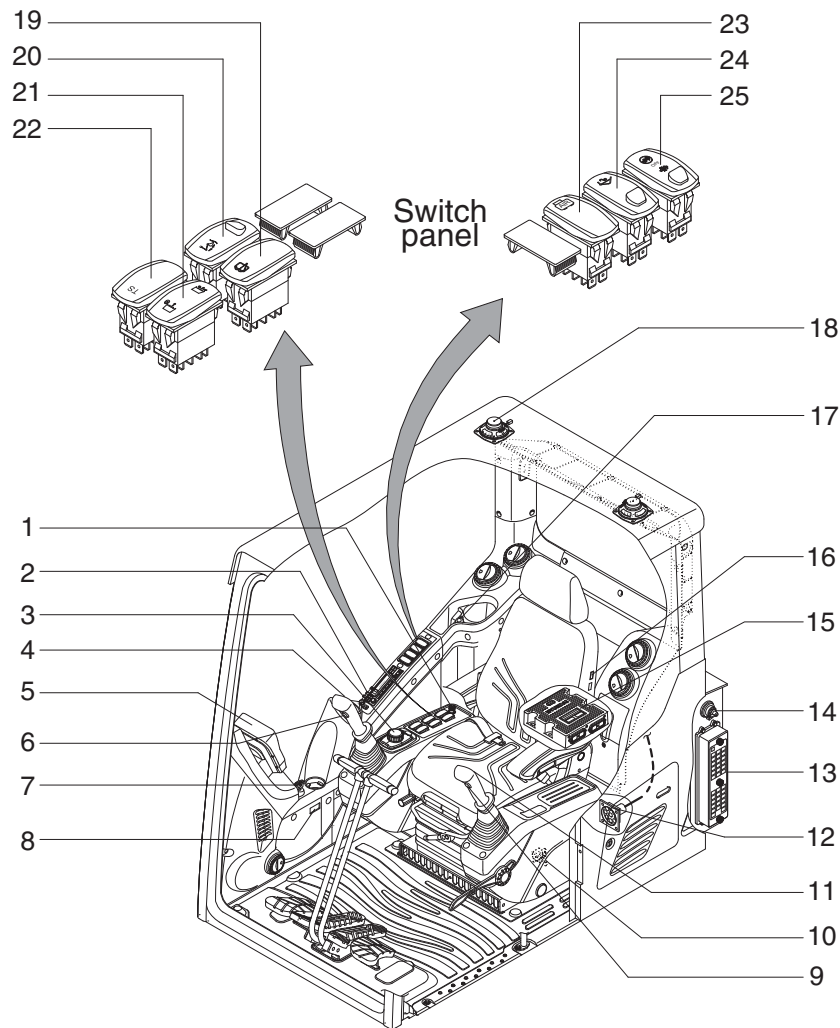
SECTION 4 ELECTRICAL SYSTEM

| | |
|--|------|
| Group 1 Component Location | 4-1 |
| Group 2 Electrical Circuit | 4-3 |
| Group 3 Electrical Component Specification | 4-23 |
| Group 4 Connectors | 4-32 |

SECTION 4 ELECTRICAL SYSTEM

GROUP 1 COMPONENT LOCATION

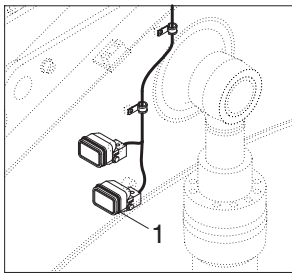
1. LOCATION 1



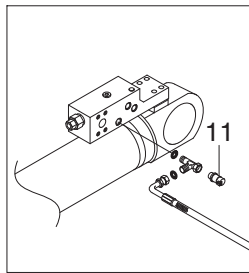
300L4EL15

- | | | |
|----------------------------|---------------------------------|--------------------------------|
| 1 Cigar lighter | 10 Emergency engine connector | 19 Lower wiper & washer switch |
| 2 Radio & USB player | 11 One touch decel switch | 20 Boom floating switch |
| 3 Haptic controller | 12 RS232 & J1939 service socket | 21 Swing lock/fine switch |
| 4 Horn switch | 13 Fuse & relay box | 22 Travel straight switch |
| 5 Cluster | 14 Master switch | 23 Air compressor switch |
| 6 Breaker operation switch | 15 Machine control unit | 24 Quick clamp switch |
| 7 Starting switch | 16 Seat heater switch | 25 SCR system cleaning switch |
| 8 Service meter | 17 Service socket | |
| 9 Power max switch | 18 Speaker | |

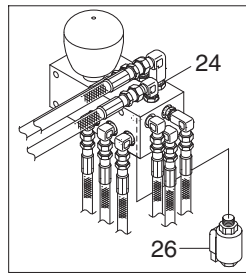
2. LOCATION 2



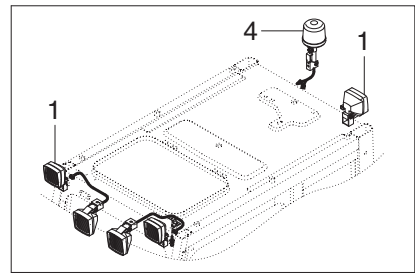
BOOM



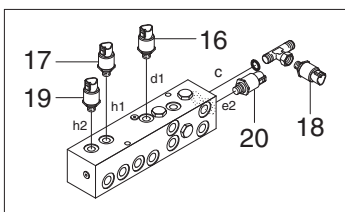
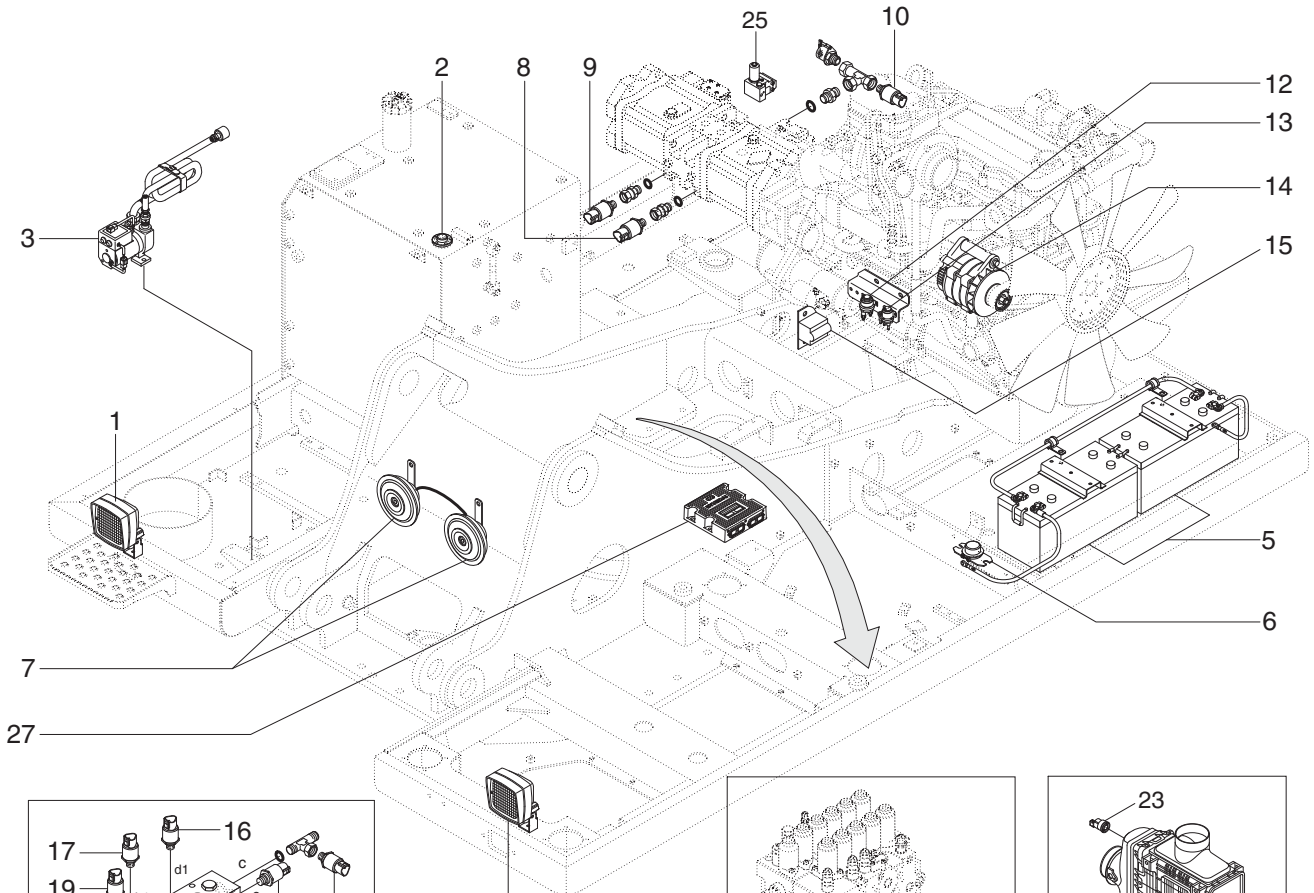
BOOM SAFETY VALVE



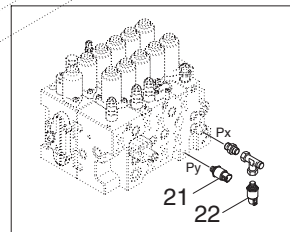
SOLENOID VALVE



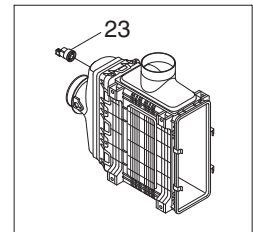
CAB



SHUTTLE BLOCK



MAIN CONTROL VALVE



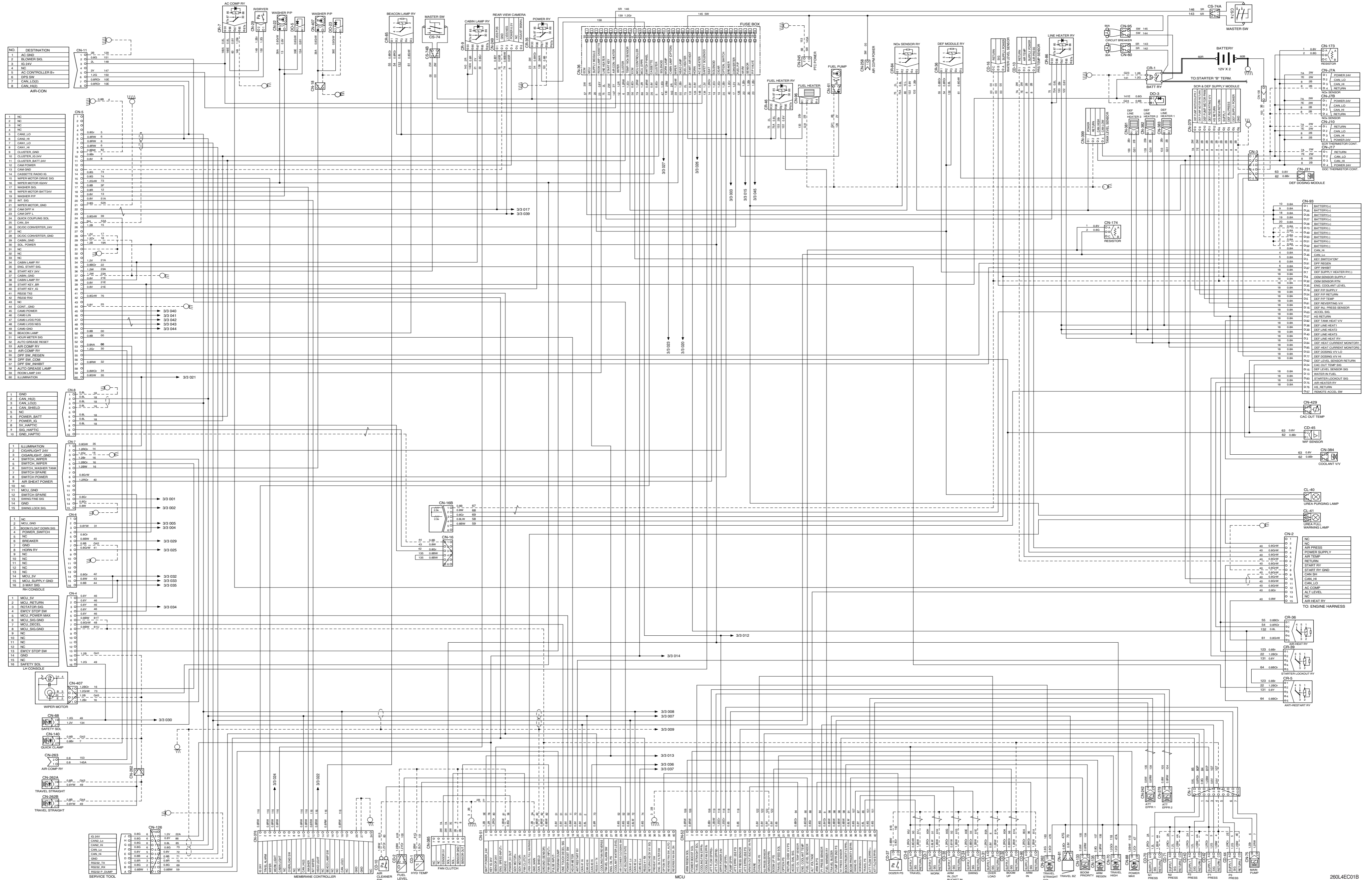
AIR CLEANER

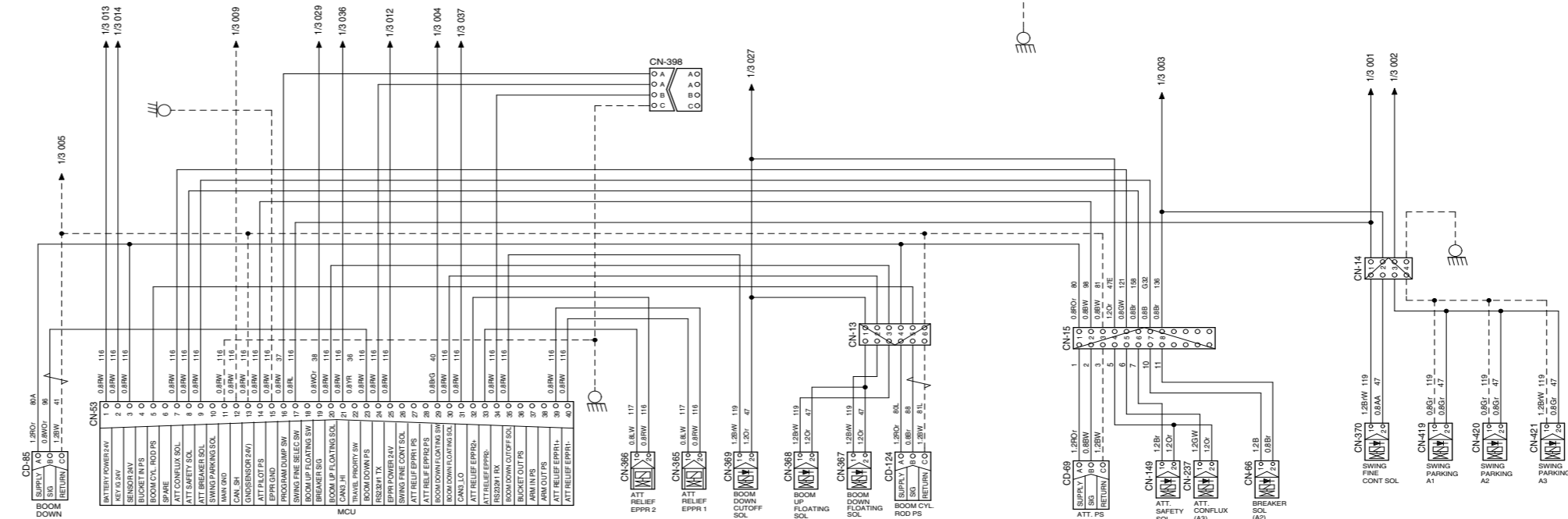
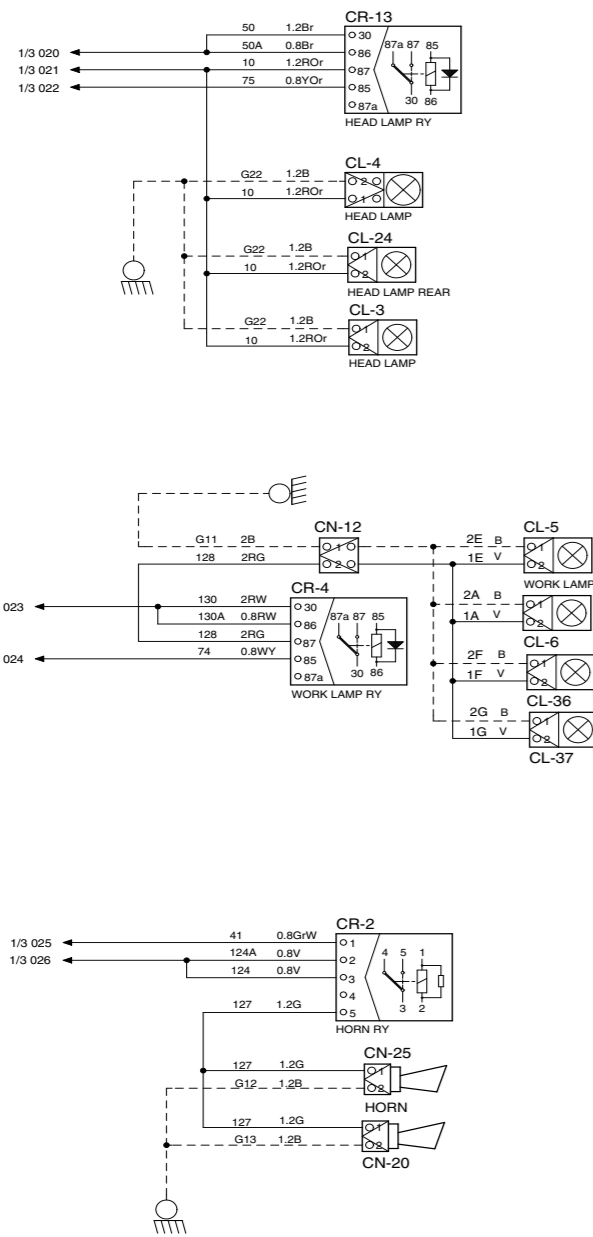
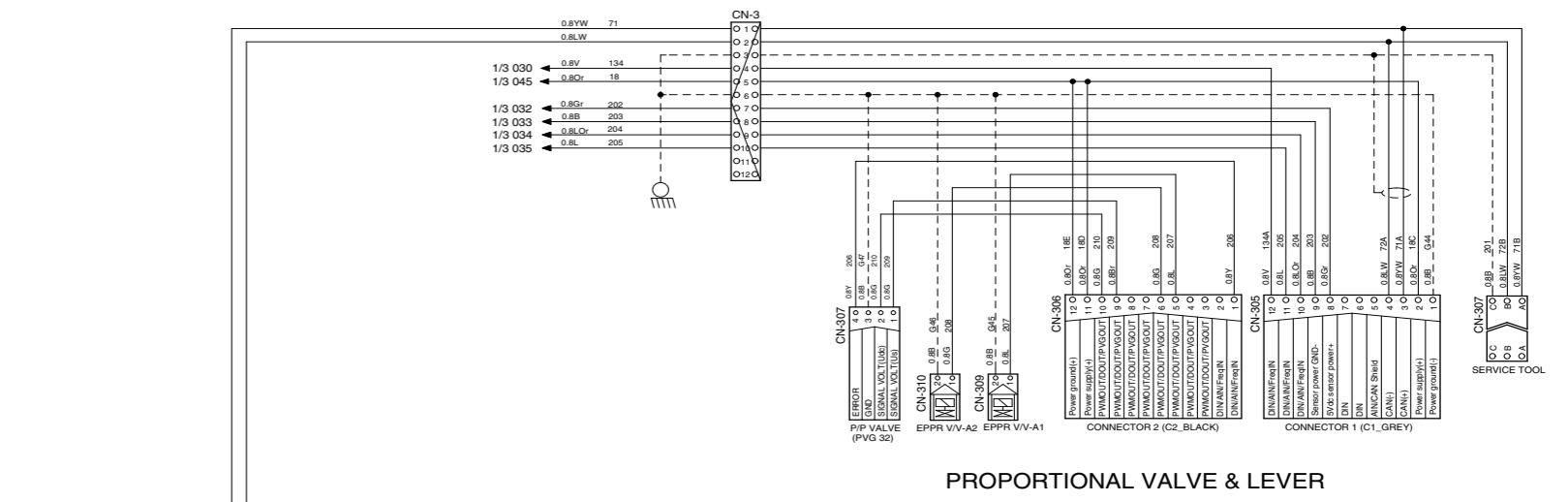
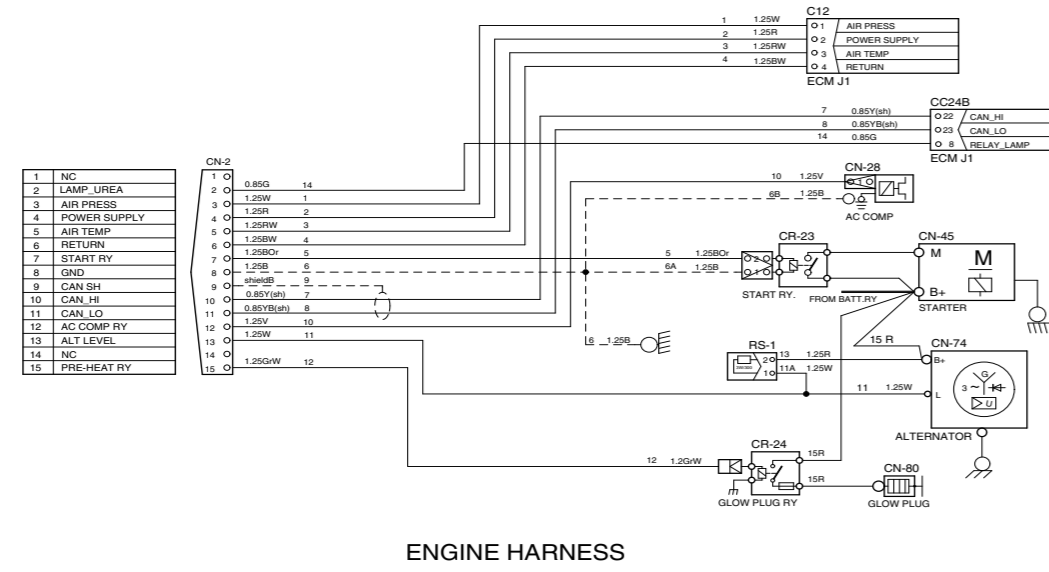
260L4EL16

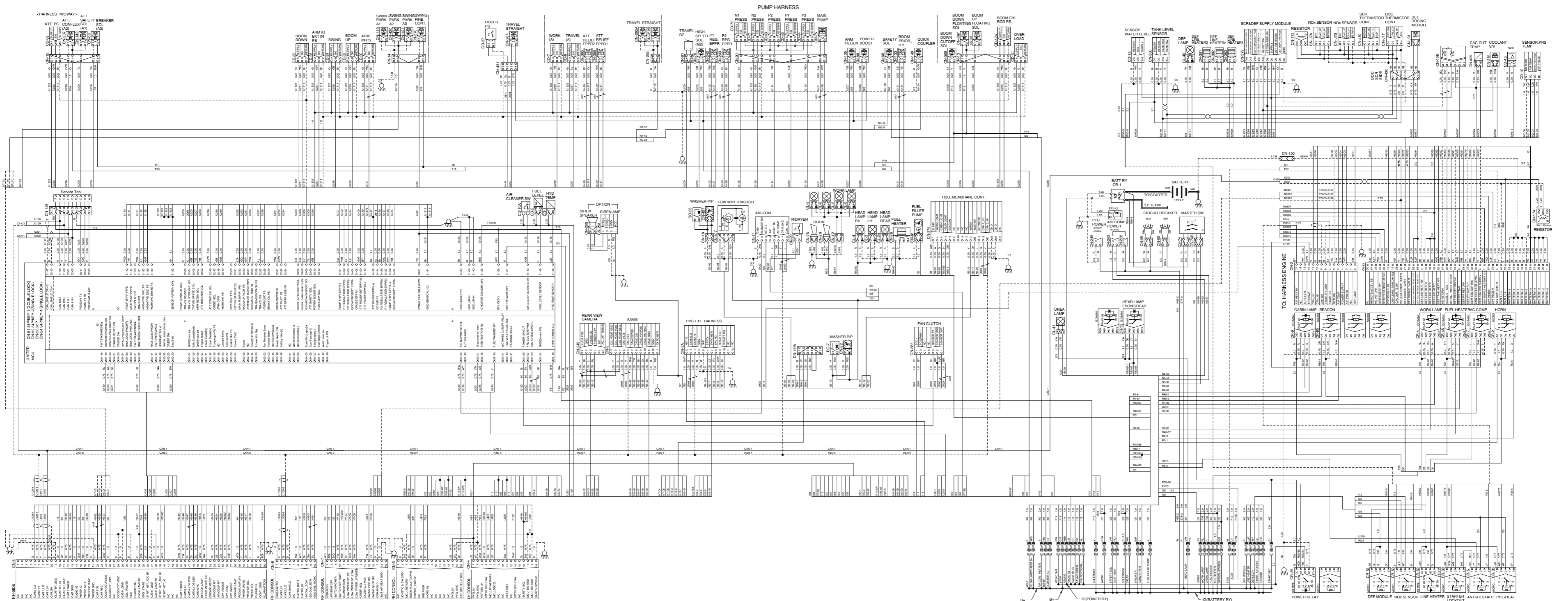
- | | | |
|----------------------|----------------------------------|------------------------------|
| 1 Lamp | 10 EPPR pressure sensor | 19 Boom down pressure sensor |
| 2 Fuel sender | 11 Overload pressure sensor | 20 Arm in pressure sensor |
| 3 Fuel filler pump | 12 Start relay | 21 Attach pressure sensor |
| 4 Beacon lamp | 13 Heater relay | 22 Travel pressure sensor |
| 5 Battery | 14 Alternator | 23 Air cleaner sensor |
| 6 Battery relay | 15 Travel alarm buzzer | 24 Solenoid valve |
| 7 Horn | 16 Arm/Bucket in pressure sensor | 25 Pump EPPR valve |
| 8 P1 pressure sensor | 17 Boom up pressure sensor | 26 Boom priority EPPR valve |
| 9 P2 pressure sensor | 18 Swing pressure sensor | 27 MCU |

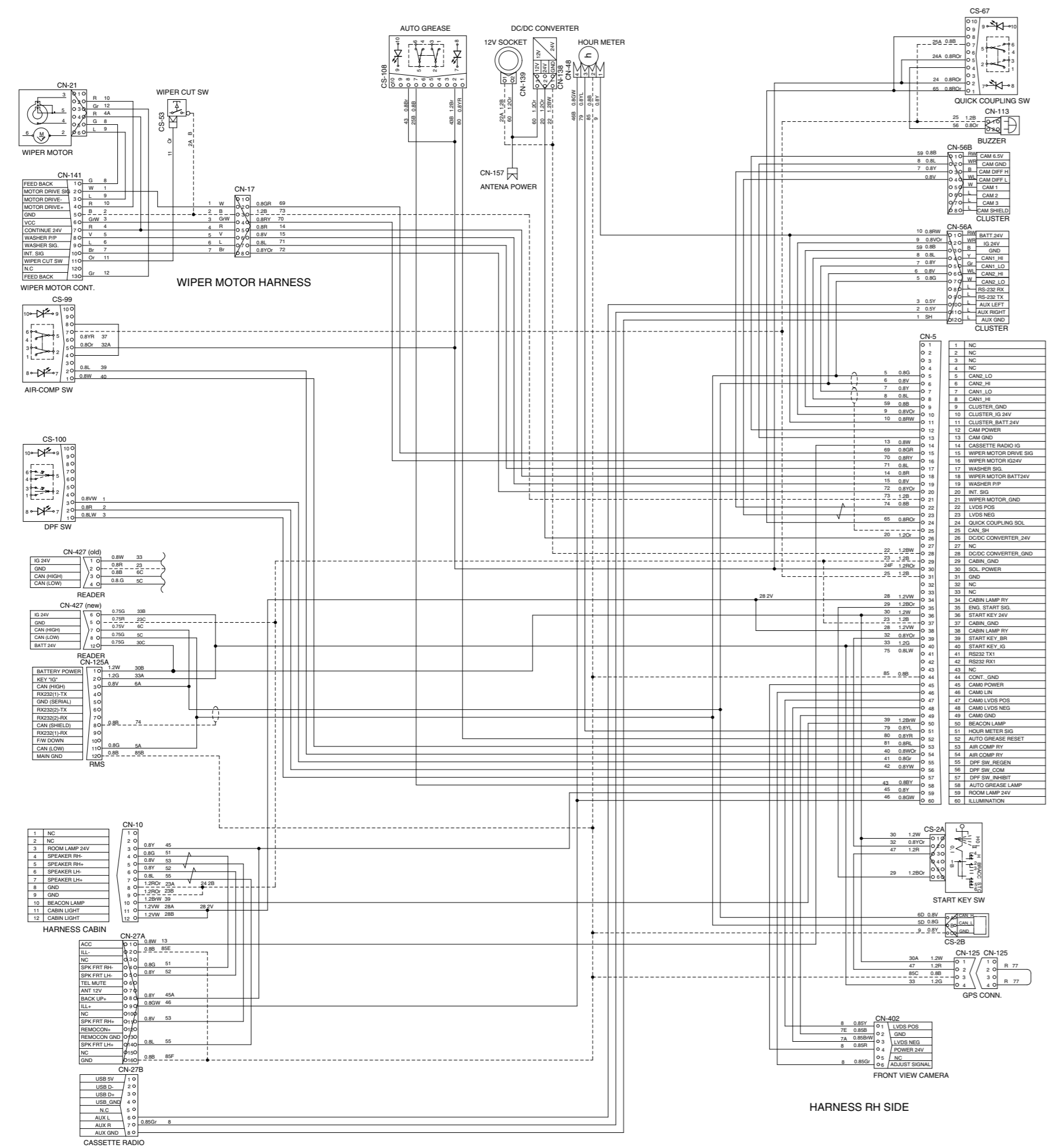
GROUP 2 ELECTRICAL CIRCUIT

· ELECTRICAL CIRCUIT (1/5, SERIAL NO. : -#0251)









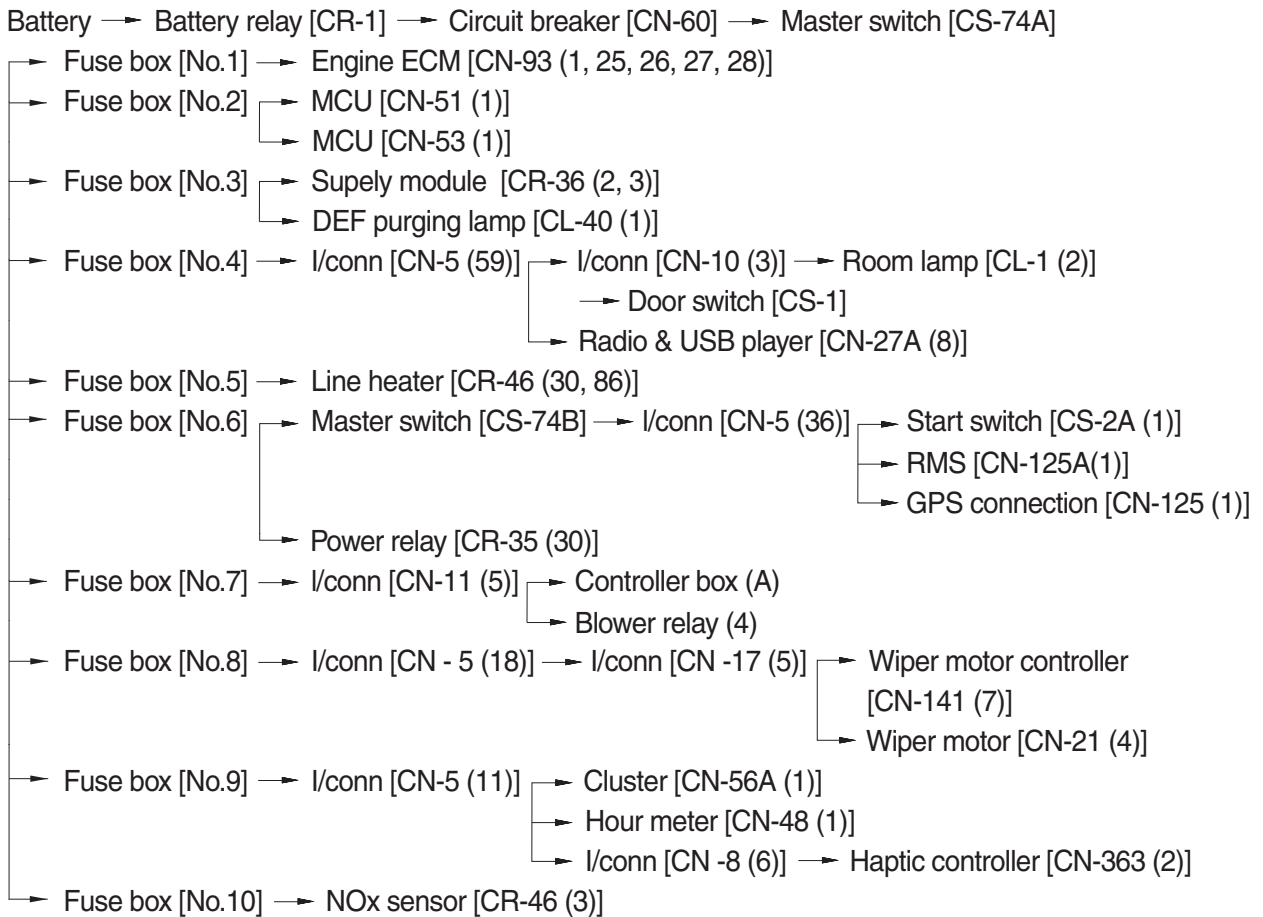
MEMORANDUM

1. POWER CIRCUIT

The negative terminal of battery is grounded to the machine chassis.

When the start switch is in the OFF position, the current flows from the positive battery terminal as shown below.

1) OPERATING FLOW



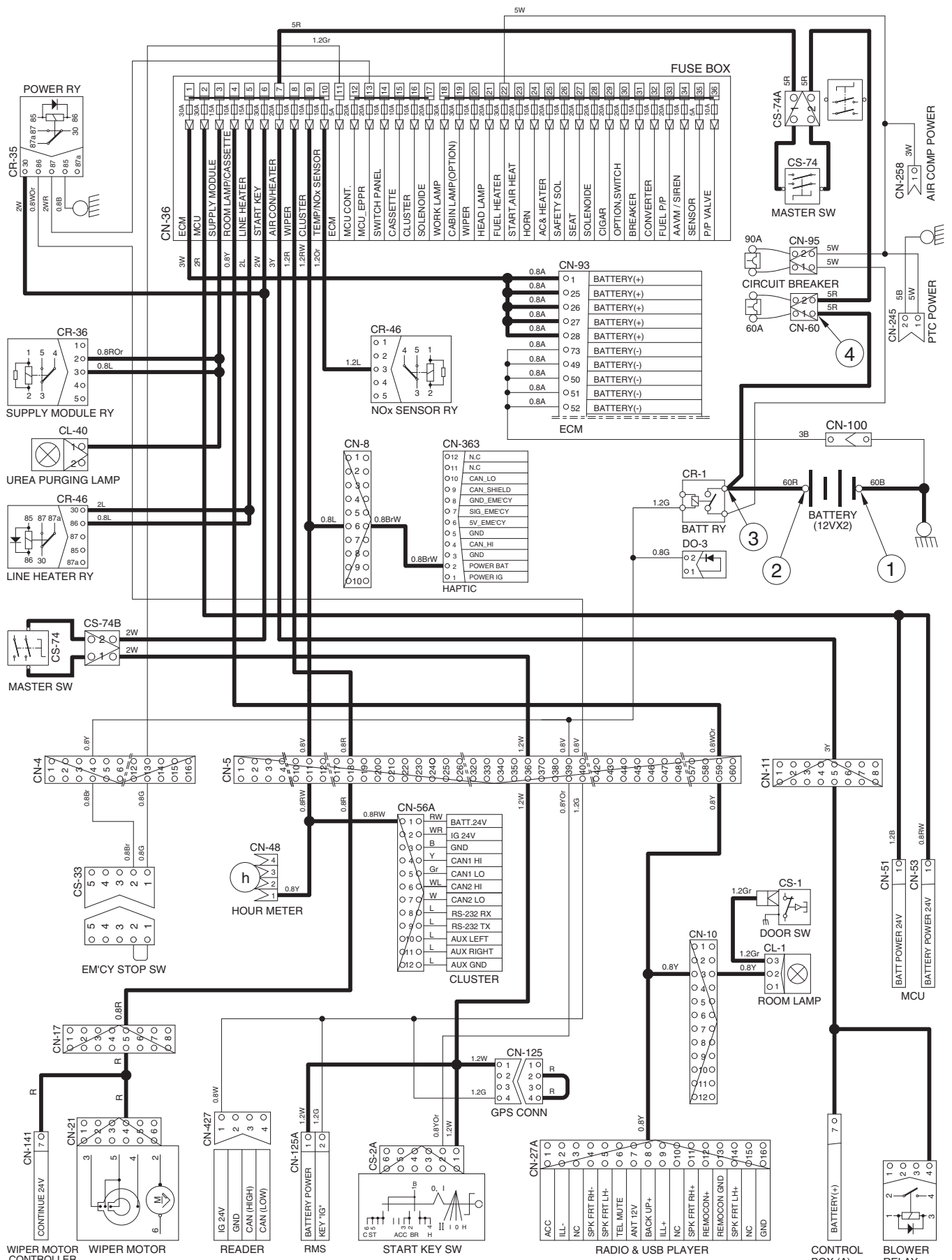
※ I/conn : Intermediate connector

2) CHECK POINT

| Engine | Start switch | Check point | Voltage |
|--------|--------------|---|--|
| OFF | OFF | ① - GND (battery 1EA) ② - GND (battery 2EA) ③ - GND (battery relay 2EA) ④ - GND (fusible link) | 10~12.5V 20~25V 20~25V 20~25V |

※ GND : Ground

POWER CIRCUIT



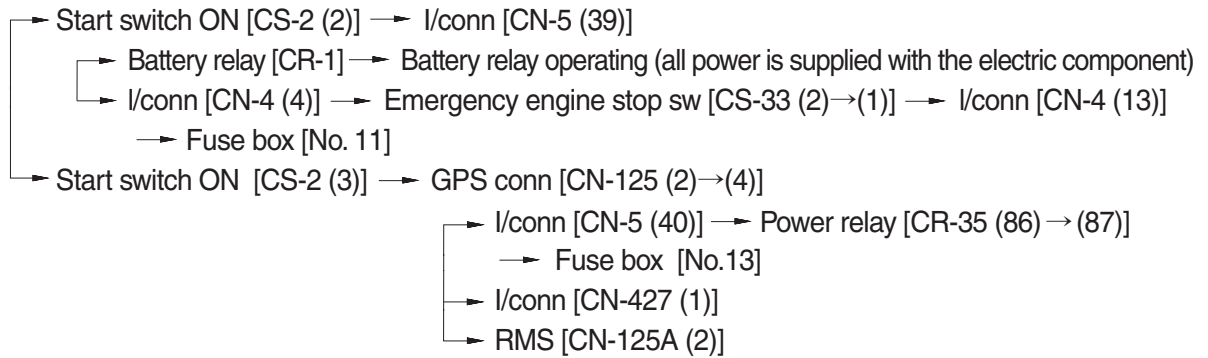
260L4EL05

2. STARTING CIRCUIT

1) OPERATING FLOW

Battery(+) terminal → Battery relay [CR-1] → Circuit breaker [CN-60] → Master switch [CS-74A]
 → Fuse box [No.6] → Master switch [CS-74B] → I/conn [CN-5(36)] → Start switch [CS-2A(1)]

(1) When start key switch is in ON position



(2) When start key switch is in START position

Start switch START [CS-2 (6)] → I/conn [CN-5 (35)] → Anti-restart relay [CR-5 (2) → (5)]
 → I/conn [CN-2 (7)] → Start relay [CR-23 (2)]

2) CHECK POINT

| Engine | Start switch | Check point | Voltage |
|-----------|--------------|--|---------|
| OPERATING | START | ① - GND (battery) ② - GND (start key) ③ - GND (battery relay M4) ④ - GND (starter B+) ⑤ - GND (starter M) ⑥ - GND (start relay) ⑦ - GND (battery relay M8) | 20~25V |

3. CHARGING CIRCUIT

When the starter is activated and the engine is started, the operator releases the key switch to the ON position.

Charging current generated by operating the alternator flows into the battery through the battery relay [CR-1].

The current also flows from the alternator to each electrical component and controller through the fuse box.

1) OPERATING FLOW

(1) Warning flow

Alternator "L" terminal → I/conn [CN-2 (13)] → MCU alternator voltage [CN-52 (27)]
 → Cluster charging warning lamp (Via CAN interface)

(2) Charging flow

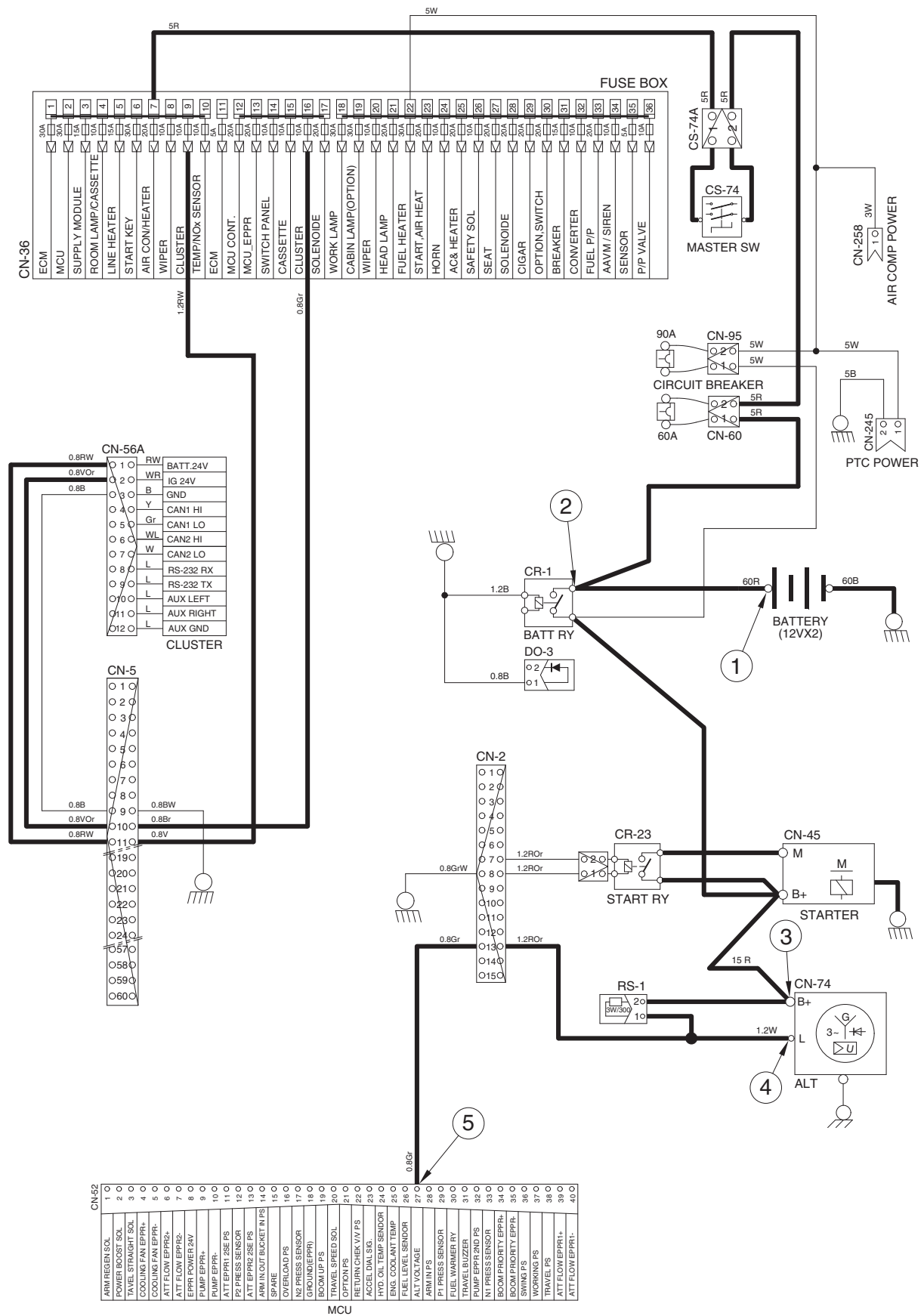
Alternator "B+" terminal → Starter [CN-45 (B+)] → Battery relay(M8)
 → Battery(+) terminal
 → Circuit breaker [CN-60] → Master switch [CS-74A]
 → Fuse box
 → Circuit breaker [CN-95] → Fuse box

2) CHECK POINT

| Engine | Start switch | Check point | Voltage |
|--------|--------------|--|---------|
| Run | ON | ① - GND (battery voltage) ② - GND (battery relay) ③ - GND (alternator B ⁺ terminal) ④ - GND (alternator L terminal) ⑤ - GND (MCU) | 20~25V |

※ GND : Ground

CHARGING CIRCUIT



260L4EL07

4. HEAD AND WORK LIGHT CIRCUIT

1) OPERATING FLOW

Fuse box (No.21) → Head light relay [CR-13 (30, 86)]

Fuse box (No.18) → Work light relay [CR-4 (30, 86)]

(1) Head light switch ON

Head light switch ON [CN-376 (13)] → Head light relay [CR-13 (85) → (87)]

→ Head light ON [CL-3 (2), CL-4 (1), CL-24 (2)]

→ I/conn [CN-7 (1)] → Cigar light [CL-2]

→ I/conn [CN-5 (60)] → Radio & USB player illumination ON [CN-27A (9)]

(2) Work light switch ON

Work light switch ON [CN-376 (4)] → Work light relay [CR-4 (85) → (87)]

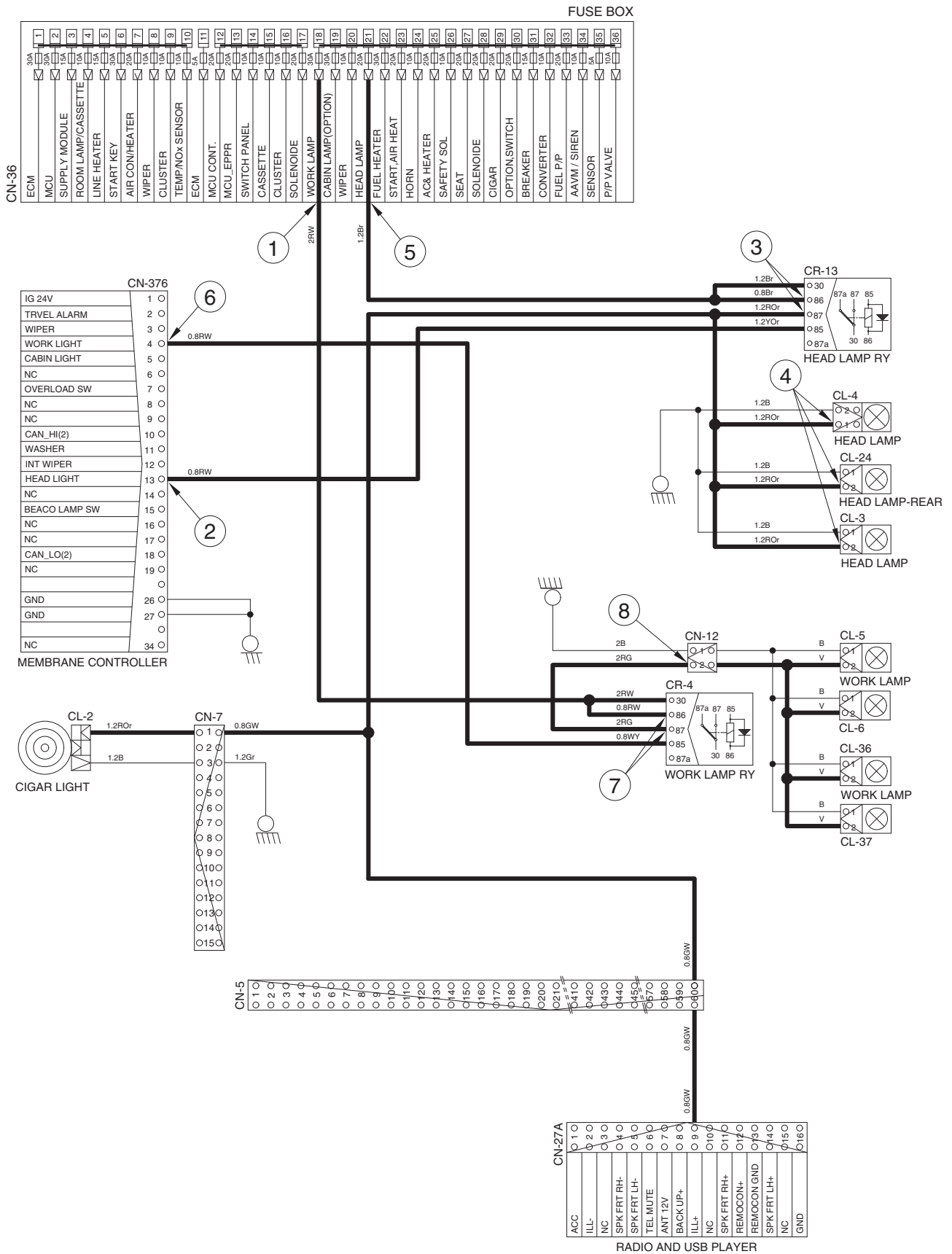
→ I/conn [CN-12 (2)] → Work light ON [CL-5 (2), CL-6 (2), CL-36 (2), CL-37 (2)]

2) CHECK POINT

| Engine | Start switch | Check point | Voltage |
|--------|--------------|--|---------|
| STOP | ON | ① - GND (fuse box) ② - GND (switch power output) ③ - GND (head light relay) ④ - GND (head light) ⑤ - GND (fuse box) ⑥ - GND (switch power output) ⑦ - GND (work light relay) ⑧ - GND (work light) | 20~25V |

※ GND : Ground

HEAD AND WORK LIGHT CIRCUIT



5. BEACON LAMP AND CAB LIGHT CIRCUIT

1) OPERATING FLOW

Fuse box (No.30) → Beacon lamp relay [CR-36 (2, 3)]

Fuse box (No.19) → Cab light relay [CR-9 (30, 86)]

(1) Beacon lamp switch ON

Beacon lamp switch ON [CN-376 (15)] → Beacon lamp relay [CR-36 (1)→ (5)]

→ I/conn [CN-5 (50)] → I/conn [CN-10 (10)] → Beacon lamp ON [CL-7]

(2) Cab light switch ON

Cab light switch ON [CN-376 (5)] → Cab lamp relay [CR-9 (85) → (87)]

→ I/conn [CN-5 (34, 38)] → I/conn [CN-10 (11)] → Cab light ON [CL-8 (2)]

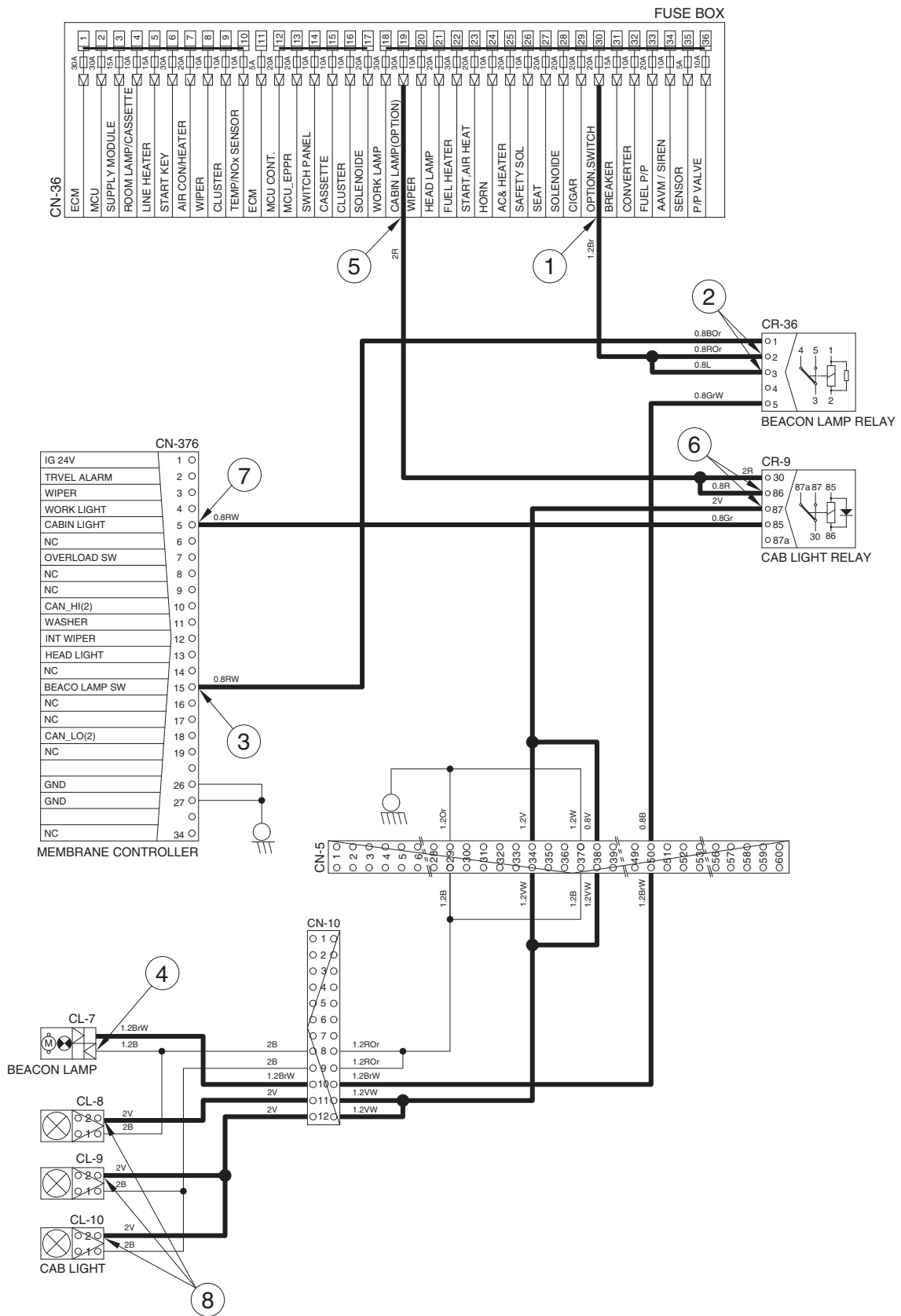
→ I/conn [CN-10 (12)] → Cab light ON [CL-9 (2), CL-10 (2)]

2) CHECK POINT

| Engine | Start switch | Check point | Voltage |
|--------|--------------|--|---------|
| STOP | ON | ① - GND (fuse box) ② - GND (beacon lamp relay) ③ - GND (switch power output) ④ - GND (beacon lamp) ⑤ - GND (fuse box) ⑥ - GND (cabin light relay) ⑦ - GND (switch power output) ⑧ - GND (cab light) | 20~25V |

※ GND : Ground

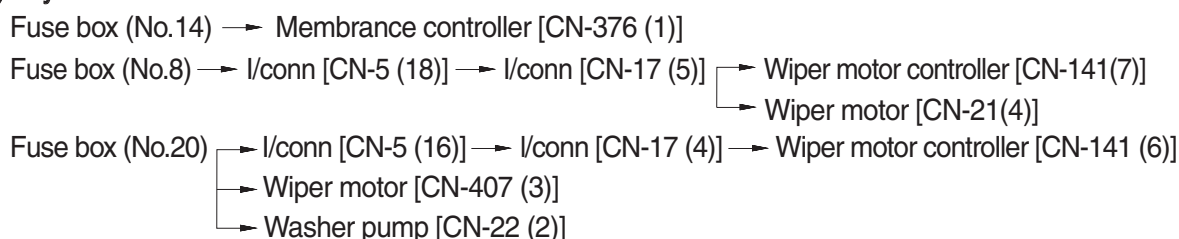
BEACON LAMP AND CAB LIGHT CIRCUIT



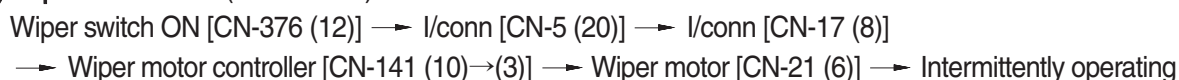
6. WIPER AND WASHER CIRCUIT

1) OPERATING FLOW

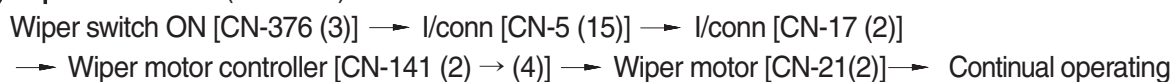
(1) Key switch ON



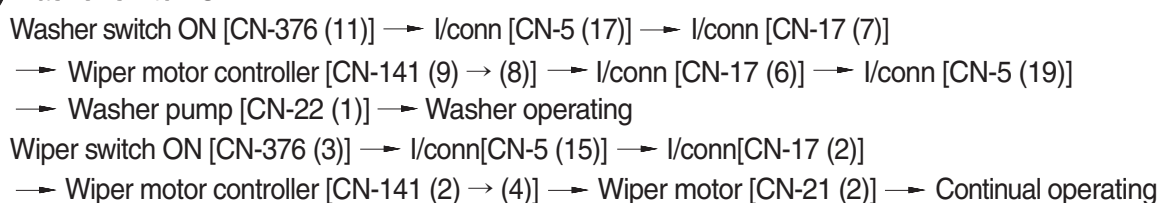
(2) Wiper switch ON (Intermittent)



(3) Wiper switch ON (continual)



(4) Washer switch ON

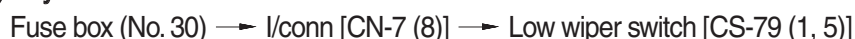


(5) Auto parking (when switch OFF)

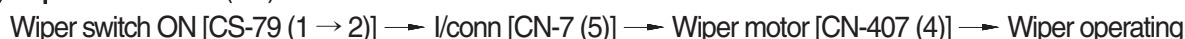


2) OPERATING FLOW (LOW WIPER)

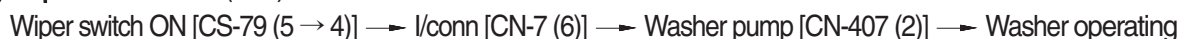
(1) Key switch ON



(2) Wiper switch ON (1st)



(3) Wiper switch ON (2nd)

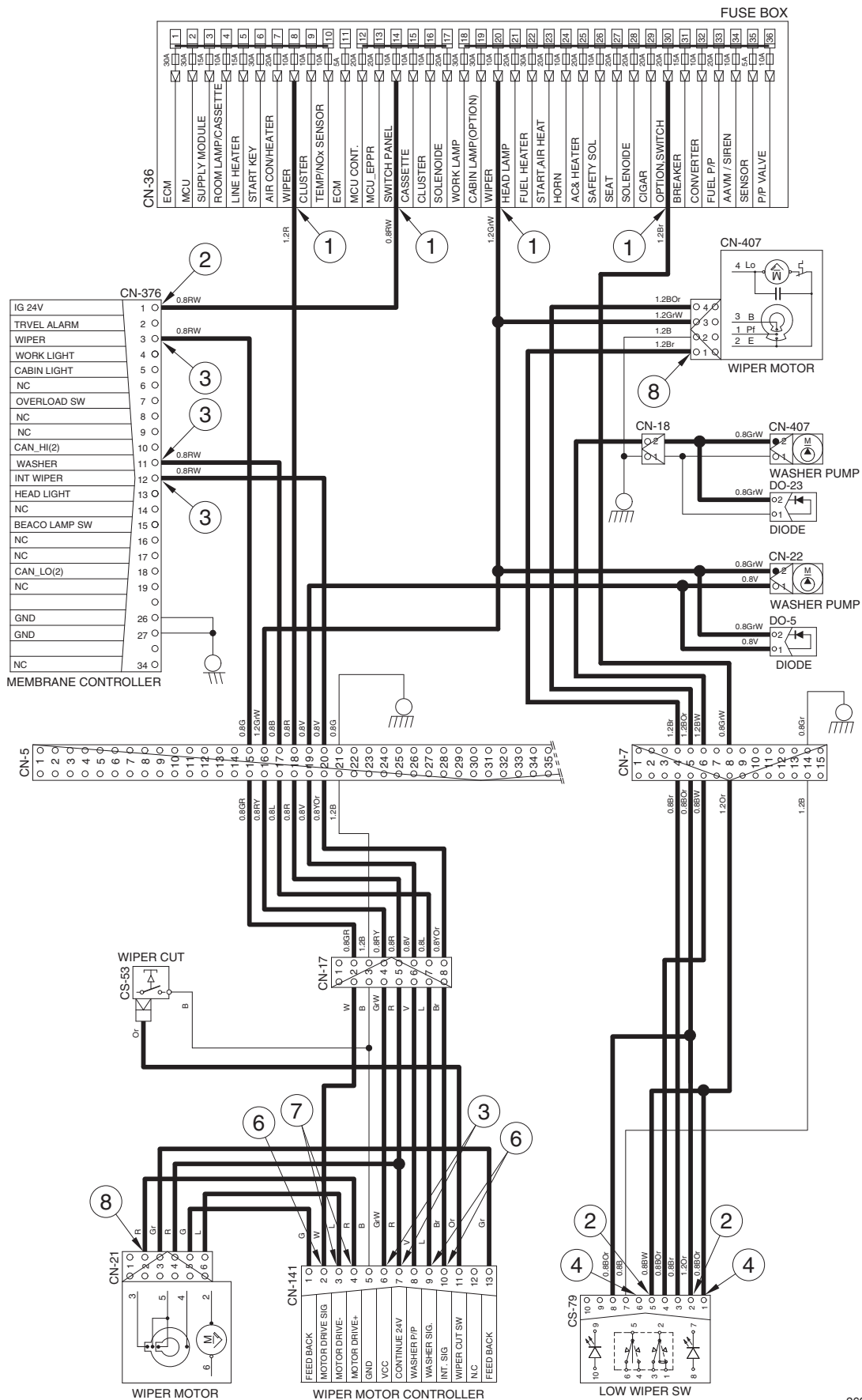


3) CHECK POINT

| Engine | Start switch | Check point | Voltage |
|--------|--------------|------------------------------------|----------|
| STOP | ON | ① - GND (fuse box) | 20~25V |
| | | ② - GND (switch power input) | |
| | | ③ - GND (wiper power input) | |
| | | ④ - GND (switch power output) | |
| | | ⑤ - GND (switch power output) | 0 ~ 5V |
| | | ⑥ - GND (wiper switch power input) | |
| | | ⑦ - GND (wiper power output) | 24V |
| | | ⑧ - GND (wiper motor) | 0 or 24V |

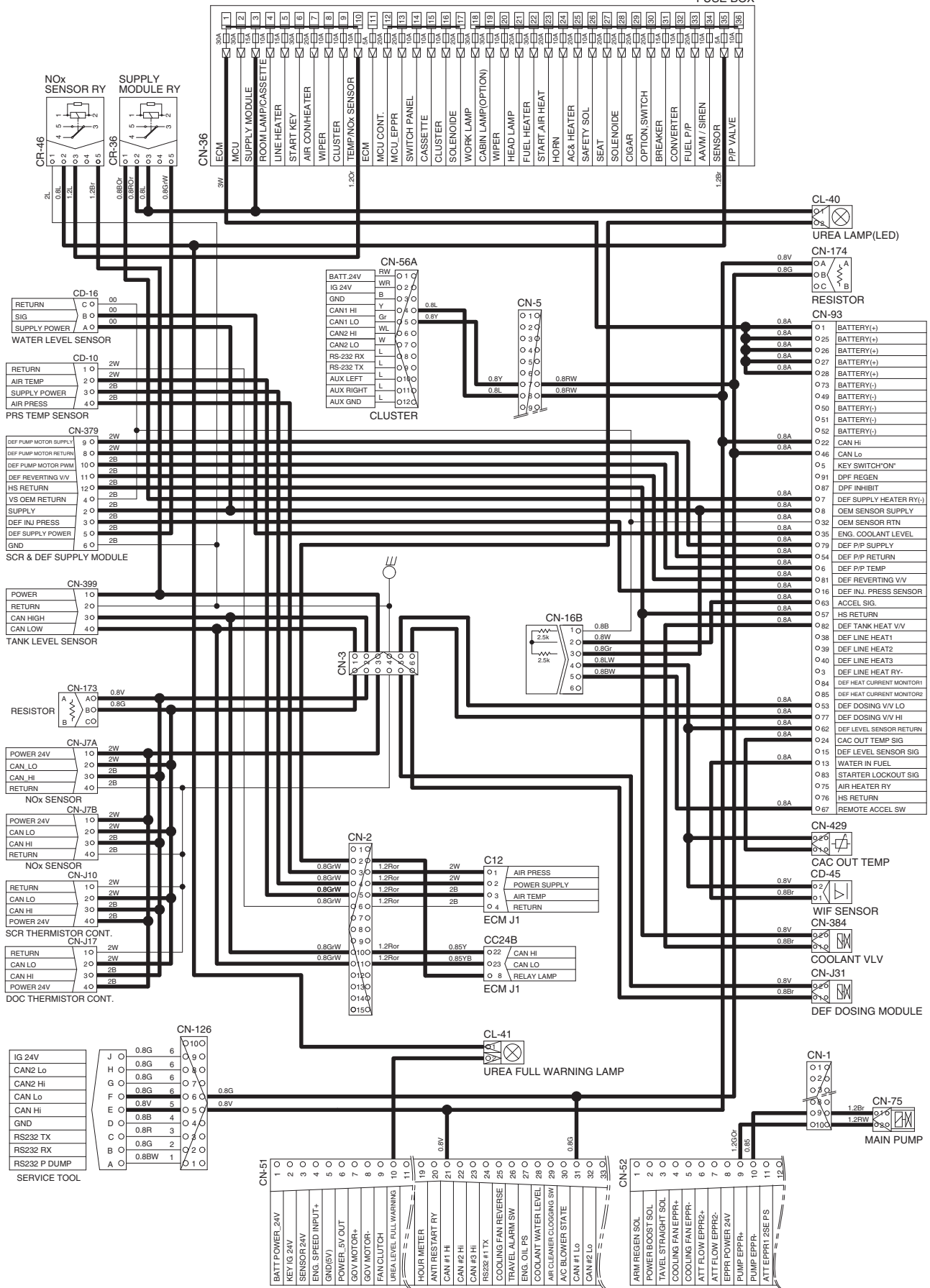
※ GND : Ground

WIPER AND WASHER CIRCUIT



CONTROLLER CIRCUIT

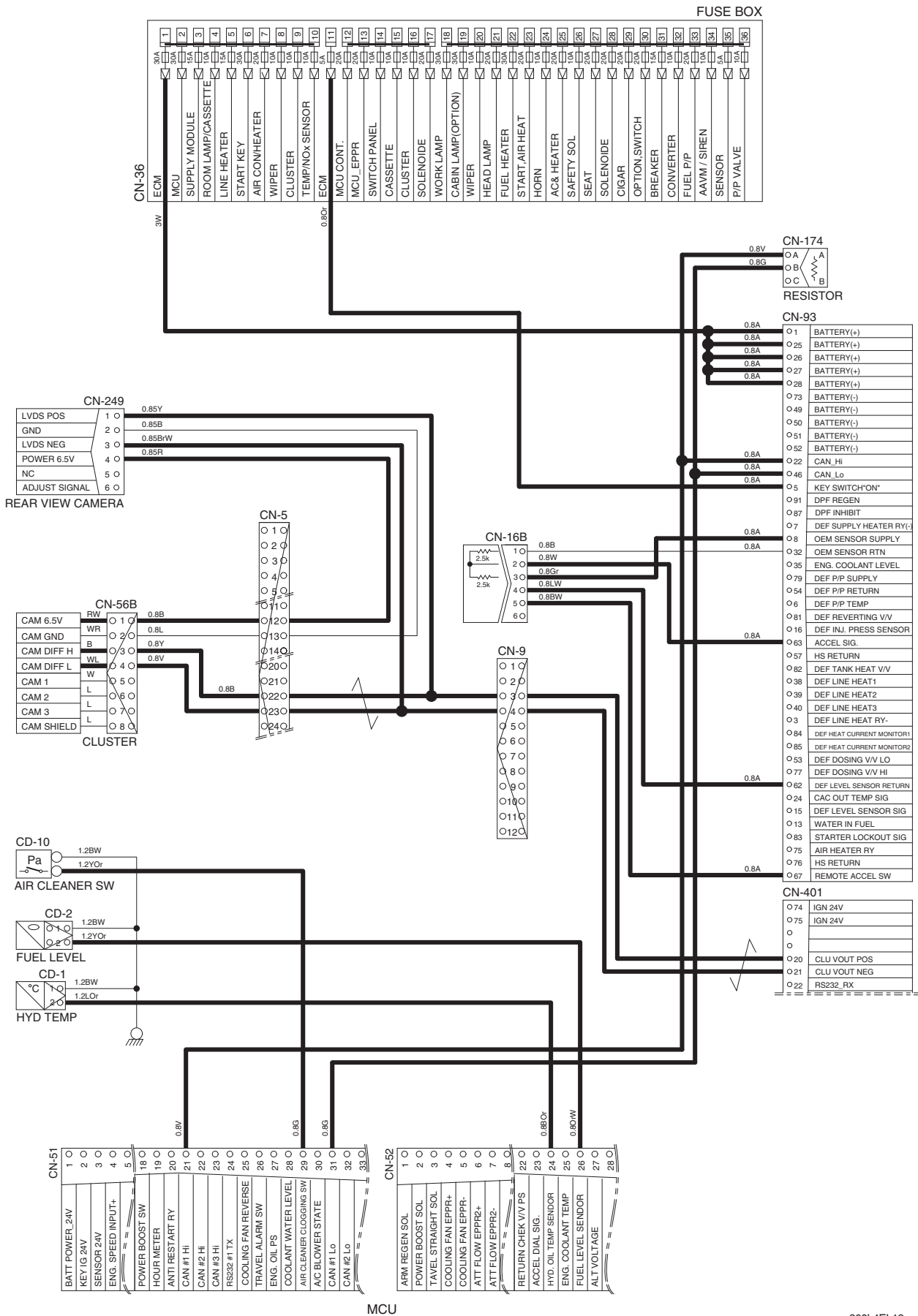
FUSE BOX



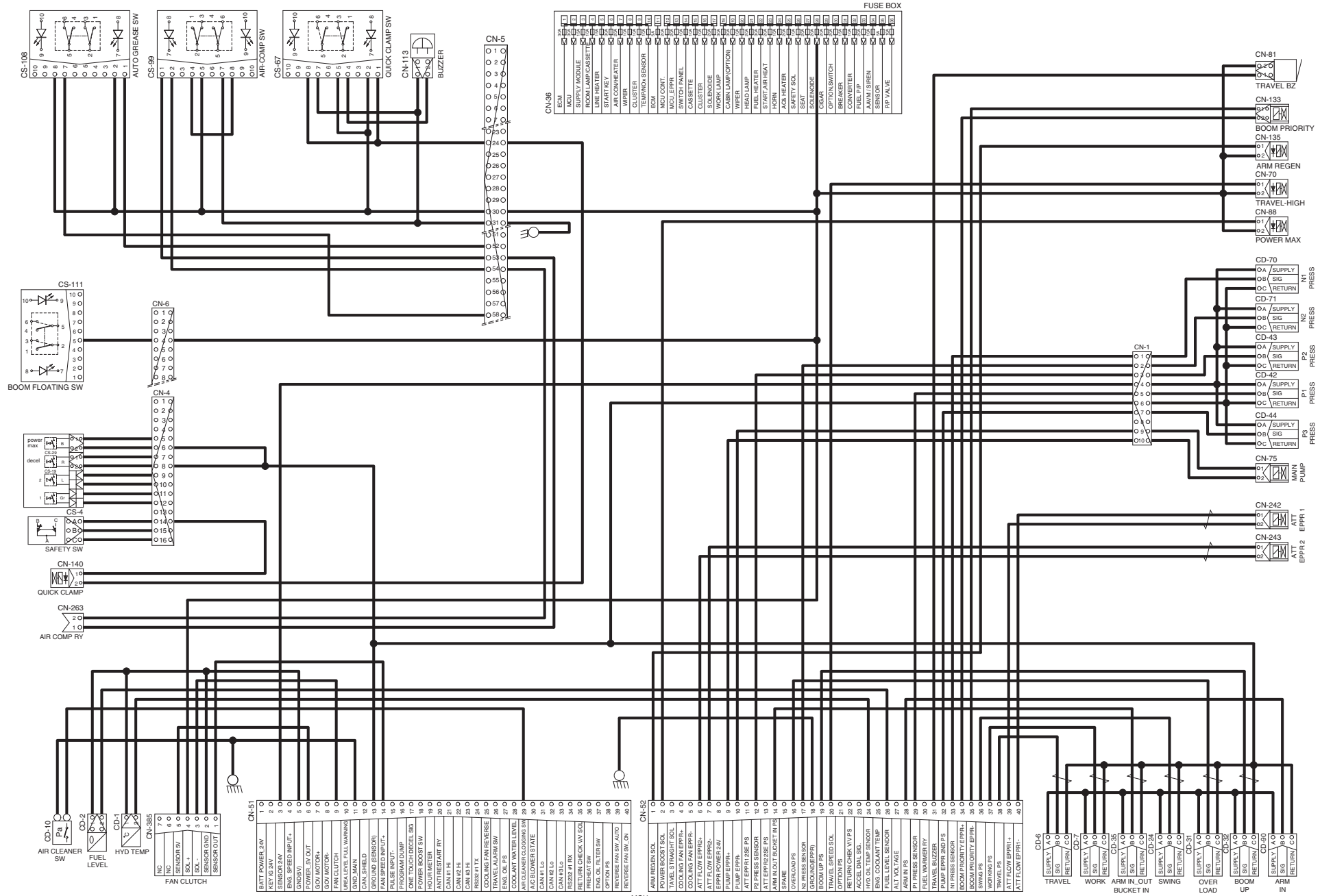
MCU

260L4EL11

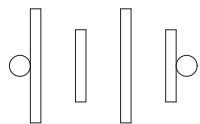
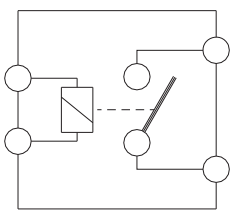
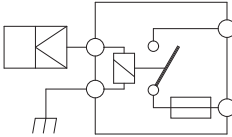
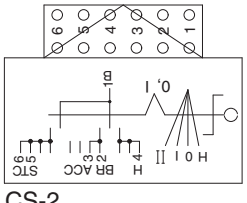
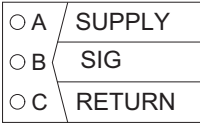
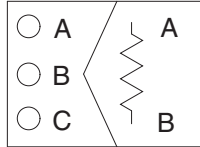
MONITORING CIRCUIT

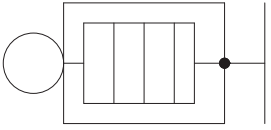
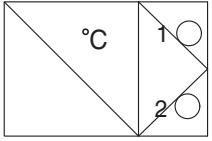
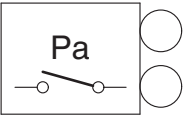
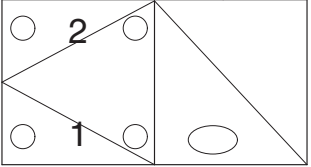
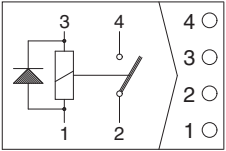
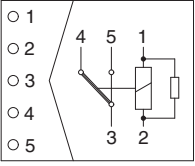


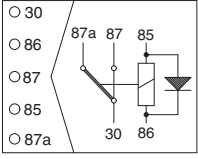
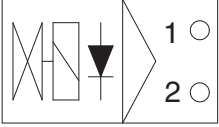

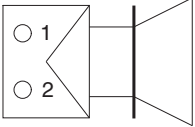
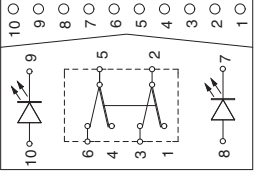
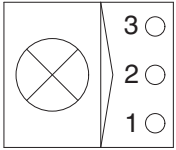
ELECTRIC CIRCUIT FOR HYDRAULIC (1/2)

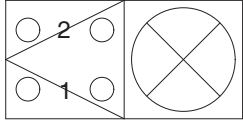
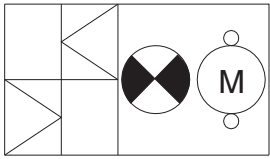
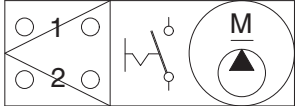
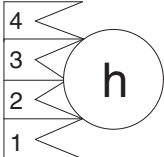
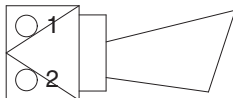
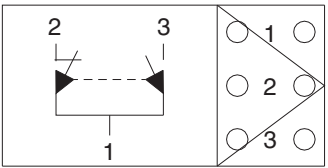


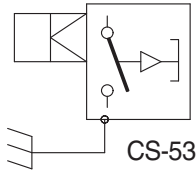
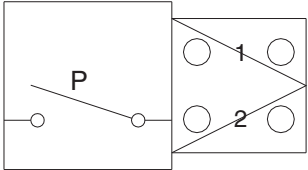
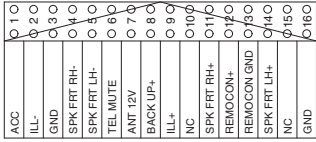
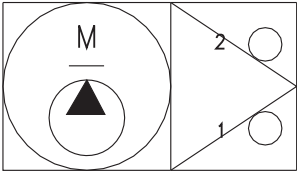
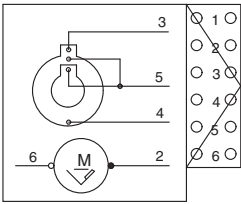
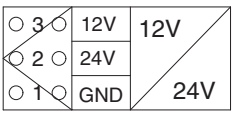
GROUP 3 ELECTRICAL COMPONENT SPECIFICATION

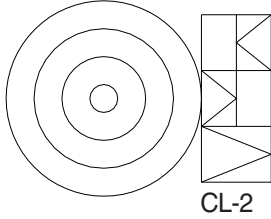
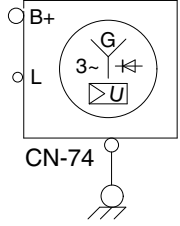
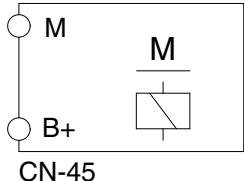
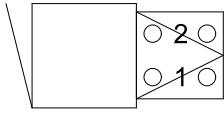
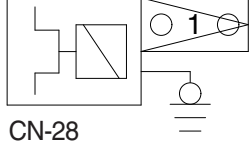
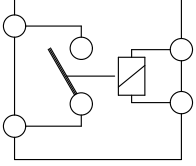
| Part name | Symbol | Specifications | Check |
|-----------------|---|---|---|
| Battery |  | 12V × 160Ah (2EA) | ※ Check specific gravity 1.280 over : Over charged 1.280 ~ 1.250 : Normal 1.250 below : Recharging |
| Battery relay |  <p style="text-align: center;">CR-1</p> | Rated load : 24V 100A (continuity) 1000A (30seconds) | ※ Check coil resistance(M4 to M4) Normal : About 50 Ω ※ Check contact Normal : ∞ Ω |
| Glow plug relay |  <p style="text-align: center;">CR-24</p> | 24V 200A | ※ Check contact Normal : 0.942 Ω (For terminal 1-GND) |
| Start key |  <p style="text-align: center;">CS-2</p> | B-BR : 24V 1A B-ACC : 24V 10A B-ST : 24V 40A | ※ Check contact OFF : ∞ Ω (for each terminal) ON : 0 Ω (for terminal 1-3 and 1-2) START : 0 Ω (for terminal 1-5) |
| Pressure sensor |  <p style="text-align: center;"> ○ A SUPPLY ○ B SIG ○ C RETURN </p> <p> CD-6 CD-7 CD-16 CD-24 CD-31 CD-32 CD-33 CD-35 CD-42 CD-43 CD-44 CD-69 CD-70 CD-71 CD-85 CD-90 CD-108 CD-109 CD-124 </p> | 8~30V | ※ Check contact Normal : 0.1 Ω |
| Resistor |  <p style="text-align: center;"> ○ A ○ B ○ C </p> <p style="text-align: center;"> A B </p> <p style="text-align: center;">CN-173 CN-174</p> | 4W | ※ Check resistance A-B : 120 Ω |

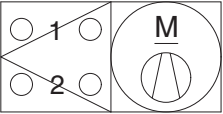
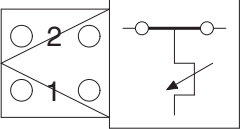
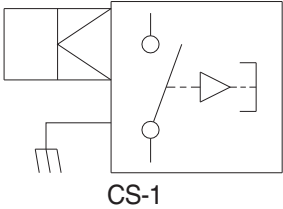
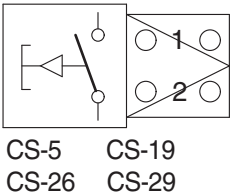
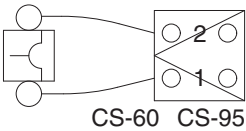
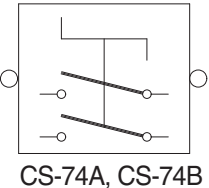
| Part name | Symbol | Specifications | Check |
|--------------------------------|---|----------------|--|
| Glow plug |  CN-80 | 24V 200A | ※ Check resistance 0.25~0.12 Ω |
| Temperature sensor (hydraulic) |  CD-1 | - | ※ Check resistance 50°C : 804 Ω 80°C : 310 Ω 100°C : 180 Ω |
| Air cleaner pressure switch |  CD-10 | (N.O TYPE) | ※ Check contact High level : ∞ Ω Low level : 0 Ω |
| Fuel sender |  CD-2 | - | ※ Check resistance Full : 50 Ω 6/12 : 350 Ω 11/12 : 100 Ω 5/12 : 400 Ω 10/12 : 150 Ω 4/12 : 450 Ω 9/12 : 200 Ω 3/12 : 500 Ω 8/12 : 250 Ω 2/12 : 550 Ω 7/12 : 300 Ω 1/12 : 600 Ω Empty warning : 700 Ω |
| Relay (air con blower) |  | 24V 20A | ※ Check resistance Normal : About 200 Ω (for terminal 1-3) 0 Ω (for terminal 2-4) |
| Relay |  CR-2 CR-5 CR-36 CR-39 CR-45 CR-51 | 24V 16A | ※ Check resistance Normal : About 160 Ω (for terminal 1-2) 0 Ω (for terminal 3-4) ∞ Ω (for terminal 3-5) |

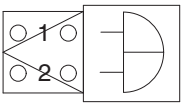
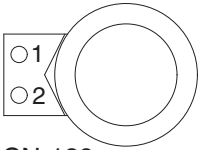
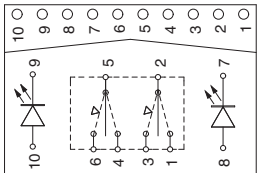
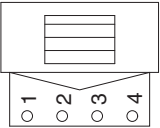
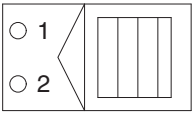
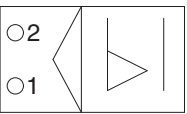
| Part name | Symbol | Specifications | Check |
|-----------------------|--|----------------|--|
| Relay |  <p>CR-4 CR-7 CR-9 CR-13 CR-35 CR-46 CR-50 CR-52</p> | 24V 16A | <p>※ Check resistance Normal : About 160 Ω (for terminal 85-86) 0 Ω (for terminal 30-87a) ∞ Ω (for terminal 30-87)</p> |
| Solenoid valve |  <p>CN-66 CN-70 CN-88 CN-135 CN-140 CN-149 CN-237 CN-262 CN-367 CN-368 CN-369 CN-370 CN-384 CN-419 CN-420 CN-421 CN-J31</p> | 24V 1A | <p>※ Check resistance Normal : 15~25 Ω (for terminal 1-2)</p> |
| EPPR valve |  <p>CN-75 CN-133 CN-242 CN-309 CN-310 CN-365 CN-366 CN-378</p> | 700mA | <p>※ Check resistance Normal : 15~25 Ω (for terminal 1-2)</p> |
| Speaker |  <p>CN-23(LH) CN-24(RH)</p> | 20W | <p>※ Check resistance Normal : A few Ω</p> |
| Switch (locking type) |  <p>CS-50 CS-67 CS-83 CS-99 CS-107 CS-108 CS-111</p> | 24V 1.5A | <p>※ Check contact Normal ON : 0 Ω (for terminal 3-7, 4-8) ∞ Ω (for terminal 7-9, 8-10) OFF : ∞ Ω (for terminal 3-7, 4-8) 0 Ω (for terminal 7-9, 8-10)</p> |
| Room lamp |  <p>CL-1</p> | 24V 10W | <p>※ Check disconnection Normal : 1.0 Ω ON : 0 Ω (For terminal 1-2) ∞ Ω (For terminal 1-3) OFF : ∞ Ω (For terminal 1-2) 0 Ω (For terminal 1-3)</p> |

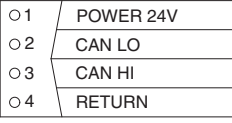
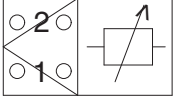
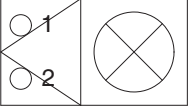
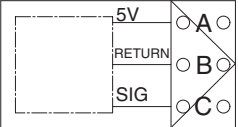
| Part name | Symbol | Specifications | Check |
|--------------------------------------|--|-----------------------|--|
| Head lamp, Work lamp, Cab lamp |  <p>CL-3 CL-4 CL-5 CL-6 CL-8 CL-9 CL-10 CL-24 CL-36 CL-37</p> | 24V 65W (H3 Type) | ※ Check disconnection Normal : 1.2 Ω |
| Beacon lamp |  <p>CL-7</p> | 21V 70W (H1 Type) | ※ Check disconnection Normal : A few Ω |
| Fuel filler pump |  <p>CN-61</p> | 24V 10A 35 l /min | ※ Check resistance Normal : 1.0 Ω |
| Hour meter |  | 16~32V | ※ Check operation Supply power(24V) to terminal No.2 and connect terminal No.1 and ground |
| Horn |  <p>CN-20 CN-25</p> | DC22~28V 2A | ※ Check operation Supply power(24V) to each terminal and connect ground. |
| Safety switch |  <p>CS-4</p> | 24V 15A (N.C TYPE) | ※ Check contact Normal : 0 Ω (for terminal 1-2) ∞ Ω (for terminal 1-3) Operating : ∞ Ω (for terminal 1-2) 0 Ω (for terminal 1-3) |

| Part name | Symbol | Specifications | Check |
|--------------------|---|-------------------|---|
| Wiper cut switch |  <p>CS-53</p> | 24V (N.O TYPE) | ※ Check contact Normal : 0 Ω (one pin to ground) |
| Receiver dryer |  <p>CN-29</p> | 24V 2.5A | ※ Check contact Normal : ∞ Ω |
| Radio & USB player |  <p>CN-27</p> | 24V 2A | ※ Check voltage 20~25V (for terminal 1-3, 3-8) |
| Washer pump |  <p>CN-22 CN-408</p> | 24V 3.8A | ※ Check contact Normal : 10.7 Ω (for terminal 1-2) |
| Wiper motor |  <p>CN-21</p> | 24V 2A | ※ Check disconnection Normal : 7 Ω (for terminal 2-6) |
| DC/DC Converter |  <p>CN-138</p> | 12V 3A | ※ Check voltage 24V (for terminal 1-2) 12V (for terminal 1-3) |

| Part name | Symbol | Specifications | Check |
|-------------------|--|--------------------|---|
| Cigar lighter |  <p>CL-2</p> | 24V 5A 1.4W | ※ Check coil resistance Normal : About 1M Ω ※ Check contact Normal : ∞ Ω Operating time : 5~15sec |
| Alternator |  <p>CN-74</p> | Denso 24V 95A | ※ Check contact Normal : 0 Ω (for terminal B ⁺ -L) Normal : 24~27.5V |
| Starter |  <p>CN-45</p> | Denso 24V 4.8kW | ※ Check contact Normal : 0.1 Ω |
| Travel alarm |  <p>CN-81</p> | 24V 0.5A | ※ Check contact Normal : 5.2 Ω |
| Aircon compressor |  <p>CN-28</p> | 24V 79W | ※ Check contact Normal : 13.4 Ω |
| Start relay |  <p>CR-23</p> | 24V 300A | ※ Check contact Normal : 0.94 Ω (for terminal 1-2) |

| Part name | Symbol | Specifications | Check |
|--|---|-------------------|--|
| Blower motor |  | 24V 9.5A | ※ Check resistance Normal : 2.5 Ω (for terminal 1-2) |
| Duct sensor (switch) |  | 1°C OFF 4°C ON | ※ Check resistance Normal : 0 Ω (for terminal 1-2), the atmosphere temp : Over 4°C |
| Door switch |  | 24V 2W | ※ Check resistance Normal : About 5M Ω |
| Switch (power max, one touch decel, horn, breaker) |  | 24V 6A | ※ Check resistance Normal : ∞ Ω |
| Circuit breaker |  | 60A | ※ Check disconnection Normal : 0 Ω (connect ring terminal and check resist between terminal 1 and 2) |
| Master switch |  | 6-36V | ※ Check disconnection Normal : 0.1 Ω |

| Part name | Symbol | Specifications | Check |
|-------------------------|---|------------------------|--|
| Quick clamp buzzer |  CN-113 | 24V 200mA 107 ± 4dB | - |
| Socket |  CN-139 | 12V 10A | - |
| Switch |  CS-73 CS-79 CS-100 | 24V 8A | ※ Check contact Normal ON : 0 Ω (for terminal 3-7, 4-8) ∞ Ω (for terminal 7-9, 8-10) OFF : ∞ Ω (for terminal 3-7, 4-8) 0 Ω (for terminal 7-9, 8-10) |
| Fuel heater |  CN-96 | - | - |
| DEF/AdBlue® line heater |  CN-381 CN-382 CN-383 | - | - |
| WIF sensor |  CD-45 | - | - |

| Part name | Symbol | Specifications | Check |
|--|---|----------------|-------|
| DEF/AdBlue® sensor |  <p>CN-399 CN-J7A CN-J7B CN-J10 CN-J17</p> | - | - |
| CAC out temperature sensor |  <p>CN-429</p> | - | - |
| DEF/AdBlue® fill up warning lamp (LED) |  <p>CL-40</p> | - | - |
| Proportional valve sensor |  <p>CN-246 CN-247</p> | - | - |

GROUP 4 CONNECTORS

1. CONNECTOR DESTINATION

| Connector number | Type | No. of pin | Destination | Connector part No. | |
|------------------|-----------|------------|---|--------------------|------------------|
| | | | | Female | Male |
| CN-1 | AMP | 10 | l/conn (Frame harness-Pump PS harness) | S816-010002 | S816-110002 |
| CN-2 | AMP | 15 | l/conn (Frame harness-Engine harness) | 2-85262-1 | 368301-1 |
| CN-3 | TYCO | 12 | l/conn (Frame harness-Pro vlv harness) | 174661-2 | 368537-1 |
| CN-4 | AMP | 16 | l/conn (Console harness LH-Frame harness) | 368047-1 | 368050-1 |
| CN-5 | DEUTSCH | 60 | l/conn (Side harness RH-Frame harness) | DRB16-60SAE-L018 | DRB14-60PAE-L018 |
| CN-6 | AMP | 16 | l/conn (Console harness RH-Frame harness) | 368047-1 | 368050-1 |
| CN-7 | AMP | 15 | l/conn (Console harness RH-Frame harness) | 368301-1 | 2-85262-1 |
| CN-8 | AMP | 10 | l/conn (Console harness RH-Frame harness) | - | 174655-2 |
| CN-9 | DEUTSCH | 12 | l/conn (AAVM harness-Frame harness) | DT06-12SA-P021 | DT04-12PA-P021 |
| CN-10 | DEUTSCH | 12 | l/conn (Cab harness-Side harness RH) | DT06-12S-EP06 | DT04-12PA-P021 |
| CN-11 | DEUTSCH | 8 | l/conn (Frame harness-Aircon harness) | DT06-8S-EP06 | - |
| CN-12 | DEUTSCH | 2 | l/conn (Frame harness-Boom wire harness) | DT06-2S-EP06 | DT04-2P-E004 |
| CN-13 | AMP | 6 | Boom floating | 174262-2 | 174264-2 |
| CN-14 | AMP | 4 | Swing parking & fine control | 174257-2 | 174259-2 |
| CN-15 | AMP | 8 | l/conn (Frame harness-Breaker sol) | 174982-2 | - |
| CN-16 | AMP | 6 | Emergency engine start & speed control | S816-006002 | S816-106002 |
| CN-17 | AMP | 8 | l/conn (Wiper harness-Side harness RH) | S816-008002 | S816-108002 |
| CN-18 | AMP | 2 | Washer tank 2 | 174352-2 | 174354-2 |
| CN-20 | MOLEX | 2 | Horn | 36825-0211 | - |
| CN-21 | AMP | 6 | Wiper motor | S810-006202 | - |
| CN-22 | KET | 2 | Tank 1 | MG640605 | - |
| CN-23 | KET | 2 | Speaker-LH | MG610070 | - |
| CN-24 | KET | 2 | Speaker-RH | MG610070 | - |
| CN-25 | DEUTSCH | 2 | Horn | DT06-2S-EP06 | - |
| CN-27A | KUM | 16 | Radio & USB player | PK145-16017 | - |
| CN-27B | AMP | 8 | Radio & USB player | - | 174984-2 |
| CN-28 | KUM | 1 | Aircon compressor | NMWP01F-B | - |
| CN-29 | KET | 2 | Receiver dryer | MG640795 | - |
| CN-36 | - | - | Fuse & relay box | 21Q7-10910 | - |
| CN-45 | RING-TERM | - | Starter motor B+ | S820-108000 | - |
| CN-48 | KET | 1 | Hour meter | 2-520193-2 | - |
| CN-51 | DEUTSCH | 40 | MCU | DRC26-40SA | - |
| CN-52 | DEUTSCH | 40 | MCU | DRC26-40SB | - |
| CN-53 | DEUTSCH | 40 | MCU | DRC26-40SC | - |
| CN-56A | AMP | 12 | Cluster | - | 174663-2 |
| CN-56B | AMP | 8 | Cluster | - | 174984-2 |
| CN-60 | YAZAKI | 4 | Circuit breaker | - | 7222-4220-30 |

| Connector number | Type | No. of pin | Destination | Connector part No. | |
|------------------|-------------|------------|---------------------------|--------------------|----------------|
| | | | | Female | Male |
| CN-61 | DEUTSCH | 2 | Fuel filler pump | DT06-2S-EP06 | - |
| CN-66 | DEUTSCH | 2 | Breaker solenoid | DT06-2S-EP06 | - |
| CN-68 | DEUTSCH | 2 | Safety solenoid | DT06-2S-EP06 | - |
| CN-70 | DEUTSCH | 2 | Travel high solenoid | DT06-2S-EP06 | - |
| CN-74 | RING-TERM | 1 | Alternator "L" terminal | S820-108000 | - |
| CN-75 | AMP | 2 | Pump EPPR | S816-002002 | - |
| CN-80 | RING-TERM | - | Glow plug | S820-306000 | - |
| CN-81 | DEUTSCH | 2 | Travel buzzer solenoid | DT06-2S-EP06 | - |
| CN-88 | DEUTSCH | 2 | Power max solenoid | DT06-2S-EP06 | - |
| CN-93 | DELPHI | 60 | ECM | 13964577 | - |
| CN-95 | YAZAKI | 2 | Circuit breaker | - | 7222-4220-30 |
| CN-100 | KET | 1 | ECM ground | MG640944-5 | - |
| CN-113 | KET | 2 | Buzzer | MG651205-5 | - |
| CN-125 | Econoseal J | 4 | RMS connector | S816-004002 | S816-104002 |
| CN-125A | DEUTSCH | 12 | RMS | DT06-12S-P021 | DT04-12PA-P021 |
| CN-126 | TYCO | 10 | Service tool | 2-1418390-1 | S816-110002 |
| CN-133 | DEUTSCH | 2 | Boom priority solenoid | DT06-2S-EP06 | - |
| CN-135 | DEUTSCH | 2 | Arm regeneration solenoid | DT06-2S-EP06 | - |
| CN-138 | FASTEN | 3 | DC/DC Converter | S810-003202 | - |
| CN-139 | FASTEN | 2 | 12V socket | 172434-2 | - |
| CN-140 | DEUTSCH | 2 | Quick clamp solenoid | DT06-2S-EP06 | DT04-2P-E005 |
| CN-141 | AMP | 13 | Wiper motor controller | 172498-1 | - |
| CN-147 | AMP | 4 | Fuel heater | 2-967325-3 | - |
| CN-149 | DEUTSCH | 2 | Attach safety solenoid | DT06-2S-EP06 | - |
| CN-156 | DEUTSCH | 2 | Air seat | DT06-2S-EP06 | DT04-2P-E005 |
| CN-157 | AMP | 1 | Antena power | S822-014002 | - |
| CN-173 | DEUTSCH | 3 | Resistor | DT06-3S-EP06 | DT04-3P-EP10 |
| CN-174 | DEUTSCH | 3 | Resistor | DT06-3S-EP06 | DT04-3P-EP10 |
| CN-237 | DEUTSCH | 2 | Attach conflax solenoid | DT06-2S-EP06 | - |
| CN-242 | DEUTSCH | 2 | Attach EPPR 1 (A1) | 174352-2 | - |
| CN-243 | DEUTSCH | 2 | Attach EPPR 2 (A2) | 174352-2 | - |
| CN-245 | FCI | 4 | PTC power | 180900-0 | - |
| CN-246 | DEUTSCH | 3 | Proportional valve-RH | DT06-3S | DT04-3P |
| CN-247 | DEUTSCH | 3 | Proportional valve-LH | DT06-3S | DT04-3P |
| CN-249 | DEUTSCH | 4 | Rear view camera | DT06-4S-EP06 | DT04-4P-E005 |
| CN-258 | KET | 1 | Air compressor power | MG640944-5 | MG650943-5 |
| CN-259 | AMP | 6 | Camera | S816-006002 | S816-106002 |
| CN-262A | DEUTSCH | 2 | Straight travel solenoid | DT06-2S-EP06 | DT04-2P-E005 |
| CN-262B | | | | | |
| CN-263 | DEUTSCH | 2 | Air compressor relay | DT06-2S-EP06 | DT04-2P-E005 |

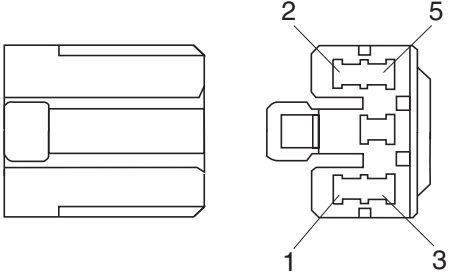
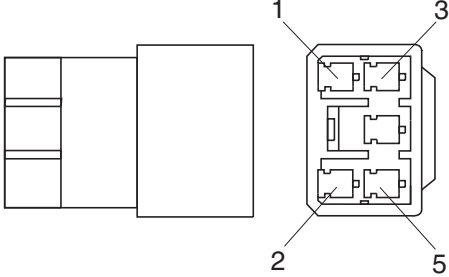
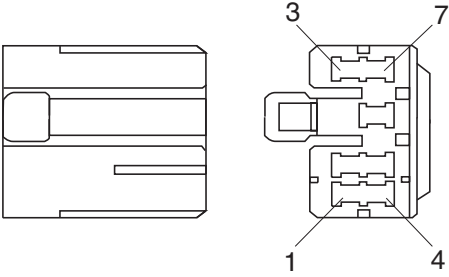
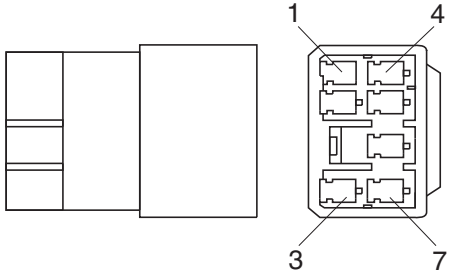
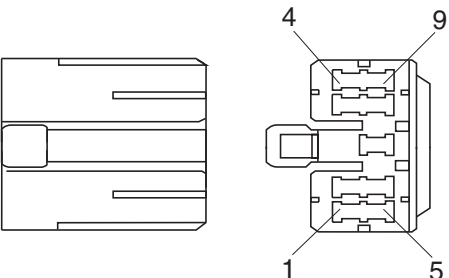
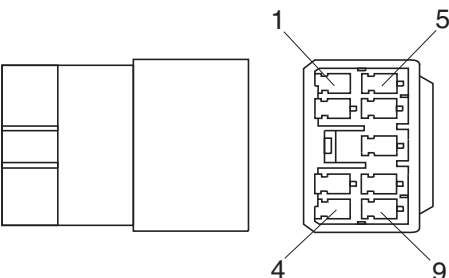
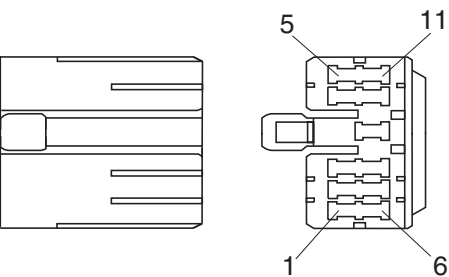
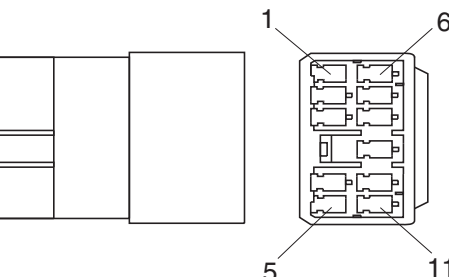
| Connector number | Type | No. of pin | Destination | Connector part No. | |
|------------------|---------|------------|---------------------------------|--------------------|--------------|
| | | | | Female | Male |
| CN-305 | DEUTSCH | 12 | AAVM-Connector-1 | DTM06-12SA | - |
| CN-306 | DEUTSCH | 12 | AAVM-Connector-2 | DTM06-12SB | - |
| CN-307 | DEUTSCH | 3 | Proportional-Service tool | DT06-3S-E005 | DT06-3P-EP06 |
| CN-308 | AMP | 4 | Proportional-PVG32 | 2-967056-1 | - |
| CN-309 | DEUTSCH | 2 | Proportional-EPPR valve-A1 | DT06-2S-EP06 | - |
| CN-310 | DEUTSCH | 2 | Proportional-EPPR valve-A2 | DT06-2S-EP06 | - |
| CN-363 | AMP | 12 | Haptic controller | 174045-2 | - |
| CN-365 | DEUTSCH | 2 | Attach EPPR valve-LH | DT06-2S-EP06 | DT04-2P-E005 |
| CN-366 | DEUTSCH | 2 | Attach EPPR valve-RH | DT06-2S-EP06 | DT04-2P-E005 |
| CN-367 | DEUTSCH | 2 | Boom down floating solenoid | DT06-2S-EP06 | DT04-2P-E005 |
| CN-368 | DEUTSCH | 2 | Boom up floating solenoid | DT06-2S-EP06 | DT04-2P-E005 |
| CN-369 | DEUTSCH | 2 | Boom down cut off solenoid | DT06-2S-EP06 | DT04-2P-E005 |
| CN-370 | DEUTSCH | 2 | Swing fine control solenoid | DT06-2S-EP06 | DT04-2P-E005 |
| CN-376 | TYCO | 23 | Membrane controller | 7706087-2 | - |
| CN-378 | DEUTSCH | 2 | Attach EPPR 2 | DT06-2S-EP06 | - |
| CN-379 | TYCO | 12 | SCR & DEF/AdBlue® supply module | 2-1703639-1 | - |
| CN-381 | DELPHI | 2 | Line heater 1 | 12162194 | - |
| CN-382 | DELPHI | 2 | Line heater 2 | 12162194 | - |
| CN-383 | DELPHI | 2 | Line heater 3 | 12162194 | - |
| CN-384 | DEUTSCH | 2 | Coolant valve | DT06-2S-EP06 | - |
| CN-385 | - | 7 | Fan clutch | 965570 | - |
| CN-398 | DEUTSCH | 4 | RS232 | DT04-4S-E005 | DT06-4P-E005 |
| CN-399 | TYCO | 4 | DEF/AdBlue® tank level sensor | - | 1-967325-1 |
| CN-401 | - | 39 | AAVM | - | - |
| CN-402 | DEUTSCH | 6 | Front view camera | DT06-6S-EP06 | DT04-6P-EP14 |
| CN-403 | DEUTSCH | 6 | Rear view camera | DT06-6S-EP06 | DT04-6P-EP14 |
| CN-404 | DEUTSCH | 6 | RH view camera | DT06-6S-EP06 | DT04-6P-EP14 |
| CN-405 | DEUTSCH | 6 | LH view camera | DT06-6S-EP06 | DT04-6P-EP14 |
| CN-406 | DEUTSCH | 3 | Service tool | DT06-3S-E005 | DT06-3P-EP06 |
| CN-407 | FCI | 4 | Low wiper motor | 180900-0 | - |
| CN-408 | FCI | 4 | Washer tank | MG640795 | - |
| CN-419 | DEUTSCH | 2 | Swing parking-A1 | DT06-2S-EP06 | - |
| CN-420 | DEUTSCH | 2 | Swing parking-A2 | DT06-2S-EP06 | - |
| CN-421 | DEUTSCH | 2 | Swing parking-A3 | DT06-2S-EP06 | - |
| CN-427 | MOLEX | 4 | Reader-RMS | 039012040 | 026013096 |
| | | 12 | | 5557-12R | 5559-12P |
| CN-429 | DELPHI | 4 | CAC Out temp | 12162197 | - |
| CN-J7A | TYCO | 4 | DOC Nox sensor | 2-1418390-1 | - |
| CN-J7B | TYCO | 4 | SCR Nox sensor | 1-1418390-1 | - |
| CN-J10 | TYCO | 4 | SCR Thermistor | 3-1418390-1 | - |
| CN-J17 | TYCO | 4 | DOC Thermistor | 4-1418390-1 | - |
| CN-J31 | BOSCH | 2 | DEF/AdBlue® dosing module | 1-928-403-874 | - |

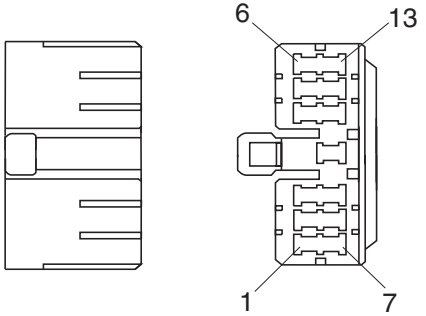
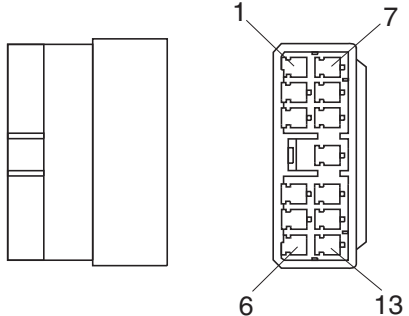
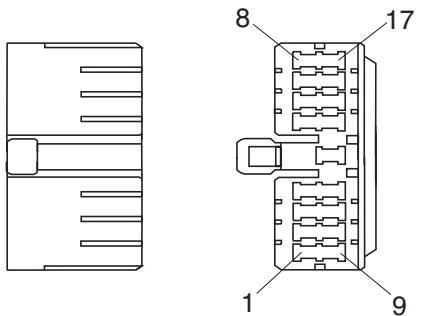
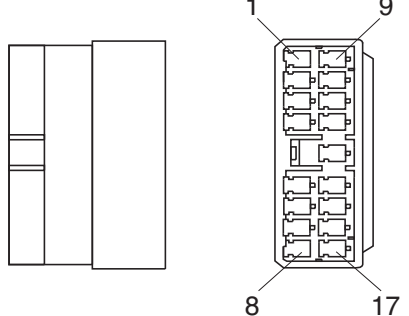
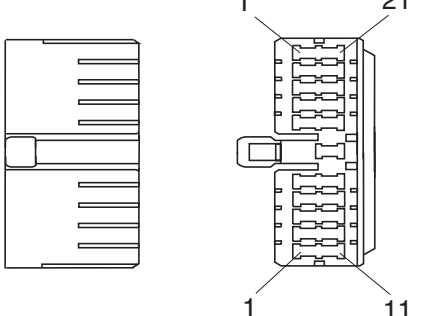
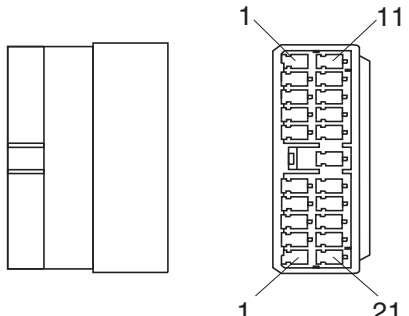
| Connector number | Type | No. of pin | Destination | Connector part No. | |
|------------------|-----------|------------|------------------------------|--------------------|--------------|
| | | | | Female | Male |
| · Relay | | | | | |
| CR-1 | RING-TERM | - | Battery relay | ST710289-2 | - |
| CR-2 | - | 5 | Horn relay | - | - |
| CR-4 | - | 5 | Working lamp relay | - | - |
| CR-5 | - | 5 | Anti restart relay | - | - |
| CR-7 | - | 5 | Aircon compressor relay | - | - |
| CR-9 | - | 5 | Cabin lamp relay | - | - |
| CR-13 | - | 5 | Head lamp relay | - | - |
| CR-23 | KET | 2 | Start relay | S814-002001 | S814-102001 |
| CR-24 | RING TERM | 1 | Preheat relay | S822-014000 | - |
| CR-35 | - | 5 | Power relay | - | - |
| CR-36 | - | 5 | Preheat relay | - | - |
| CR-39 | - | 5 | Starter lock out relay | - | - |
| CR-45 | - | 5 | Beacon lamp relay | - | - |
| CR-46 | - | 5 | Fuel warmer relay | - | - |
| CR-50 | - | 5 | NOx sensor relay | - | - |
| CR-51 | - | 5 | DEF/AdBlue® module relay | - | - |
| CR-52 | - | 5 | Line heater relay | - | - |
| · Switch | | | | | |
| CS-1 | SHUR | 1 | Door switch | S822-014002 | S822-114002 |
| CS-2 | WP | 6 | Start key switch | S814-006100 | - |
| CS-4 | DEUTSCH | 3 | Safety switch | DT06-3S-EP06 | - |
| CS-5 | DEUTSCH | 2 | Horn switch | - | DT04-2P-E005 |
| CS-19 | DEUTSCH | 2 | One touch decel switch | - | DT04-2P-E005 |
| CS-26 | DEUTSCH | 2 | Breaker switch | DT06-2S-EP06 | - |
| CS-26A | AMP | 2 | Breaker pedal switch | S816-002002 | S816-102002 |
| CS-29 | DEUTSCH | 2 | Power max switch | DT06-2S-EP06 | - |
| CS-33 | AMP | 6 | Emergency engine stop switch | S816-006002 | S816-106002 |
| CS-50 | CARLING | 10 | Travel priority switch | VC2-01 | - |
| CS-53 | AMP | 1 | Wiper cut switch | S822-014002 | - |
| CS-67 | CARLING | 10 | Quick clamp switch | VC2-01 | - |
| CS-73 | CARLING | 10 | Swing lock & fine switch | VC2-01 | - |
| CS-74A | AMP | 2 | Master switch | S813-030201 | - |
| CS-74B | DEUTSCH | 2 | Master switch | DT06-2S-EP06 | - |
| CS-79 | CARLING | 10 | Lower wiper switch | VC2-01 | - |
| CS-83 | CARLING | 10 | Spare switch | VC2-01 | - |
| CS-99 | CARLING | 10 | Air compressor switch | VC2-01 | - |
| CS-100 | CARLING | 10 | SCR system cleaning switch | VC2-01 | - |
| CS-107 | CARLING | 10 | Travel straight switch | VC2-01 | - |

| Connector number | Type | No. of pin | Destination | Connector part No. | |
|------------------|-----------|------------|-----------------------------------|--------------------|--------------|
| | | | | Female | Male |
| CS-108 | CARLING | 10 | Auto grease switch | VC2-01 | - |
| CS-111 | CARLING | 10 | Boom floating switch | VC2-01 | - |
| · Light | | | | | |
| CL-1 | KET | 3 | Room lamp | MG651032 | - |
| CL-2 | AMP | 1 | Cigar light | S822-014002 | S822-114002 |
| CL-3 | DEUTSCH | 2 | Head lamp-LH | DT06-2S-EP06 | DT04-2P |
| CL-4 | DEUTSCH | 2 | Head lamp-RH | DT06-2S-EP06 | DT04-2P |
| CL-5 | DEUTSCH | 2 | Work lamp-LH | DT06-2S-EP06 | DT04-2P |
| CL-6 | DEUTSCH | 2 | Work lamp-RH | DT06-2S-EP06 | DT04-2P |
| CL-7 | SHUR | 1 | Beacon lamp | S822-014002 | S822-114002 |
| CL-8 | DEUTSCH | 2 | Cab light-LH | DT06-2S-EP06 | DT04-2P |
| CL-9 | DEUTSCH | 2 | Cab light-RH | DT06-2S-EP06 | DT04-2P |
| CL-10 | DEUTSCH | 2 | Cab light | DT06-2S-EP06 | DT04-2P |
| CL-24 | DEUTSCH | 2 | Head lamp | DT06-2S-EP06 | DT04-2P-E005 |
| CL-36 | DEUTSCH | 2 | Work lamp | DT06-2S-EP06 | DT04-2P |
| CL-37 | DEUTSCH | 2 | Work lamp | DT06-2S-EP06 | DT04-2P |
| CL-40 | DEUTSCH | 2 | DEF/AdBlue® lamp | DT06-2S-EP06 | DT04-2P |
| CL-41 | AMP | 1 | DEF/AdBlue® F/warning lamp | S822-01400 | S822-11400 |
| · Sensor, sensor | | | | | |
| CD-1 | AMP | 2 | Hydraulic oil temp sender | 85202-1 | - |
| CD-2 | DEUTSCH | 2 | Fuel sender | DT06-2S-EP06 | - |
| CD-6 | DEUTSCH | 3 | Travel pressure switch | DT06-3S-EP06 | - |
| CD-7 | DEUTSCH | 3 | Working pressure switch | DT06-3S-EP06 | - |
| CD-10 | RING TERM | - | Air cleaner switch | ST730135-2 | - |
| CD-16 | AMP | 3 | Water level sensor | 12110293 | - |
| CD-24 | DEUTSCH | 3 | Swing sensor | DT06-3S-EP06 | - |
| CD-31 | DEUTSCH | 3 | Overload sensor | DT06-3S-EP06 | - |
| CD-32 | DEUTSCH | 3 | Boom up sensor | DT06-3S-EP06 | - |
| CD-35 | DEUTSCH | 3 | Arm & bucket in sensor | DT06-3S-EP06 | - |
| CD-42 | DEUTSCH | 3 | Pump pressure 1 | DT06-3S-EP06 | - |
| CD-43 | DEUTSCH | 3 | Pump pressure 2 | DT06-3S-EP06 | - |
| CD-44 | DEUTSCH | 3 | Pump pressure 3 | DT06-3S-EP06 | - |
| CD-45 | DEUTSCH | 2 | WIF sensor | DT06-2S-EP06 | - |
| CD-69 | DEUTSCH | 3 | Attach pressure sensor | DT06-3S-EP06 | - |
| CD-70 | DEUTSCH | 3 | N1 pressure sensor | DT06-3S-EP06 | - |
| CD-71 | DEUTSCH | 3 | N2 pressure sensor | DT06-3S-EP06 | - |
| CD-85 | DEUTSCH | 3 | Boom down sensor | DT06-3S-EP06 | DT06-3P-E005 |
| CD-90 | DEUTSCH | 3 | Arm in sensor | DT06-3S-EP06 | - |
| CD-124 | DEUTSCH | 3 | Boom cylinder rod pressure sensor | DT06-3S-EP06 | - |

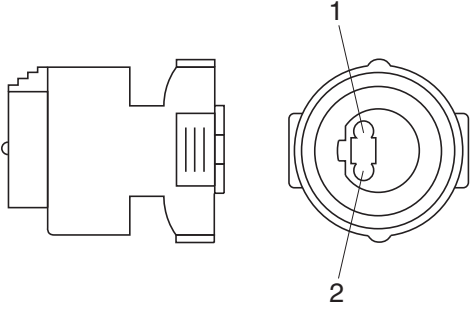
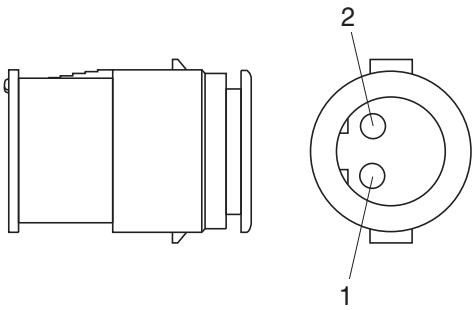
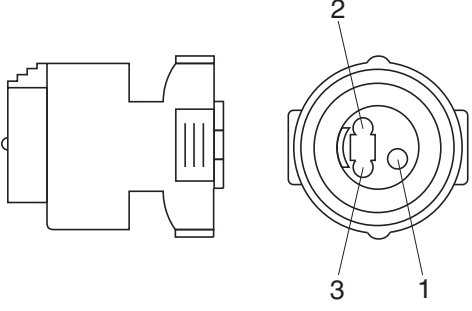
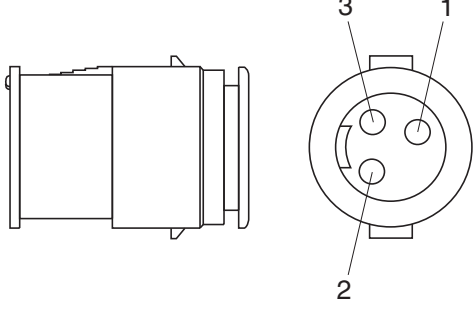
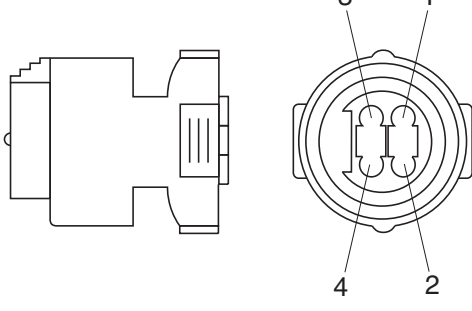
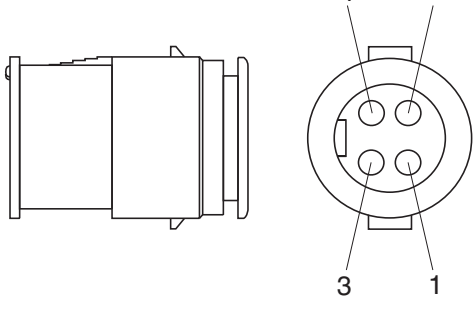
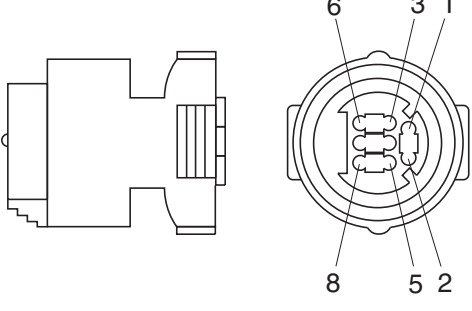
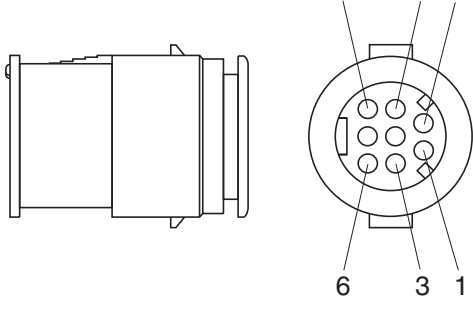
2. CONNECTION TABLE FOR CONNECTORS

1) PA TYPE CONNECTOR

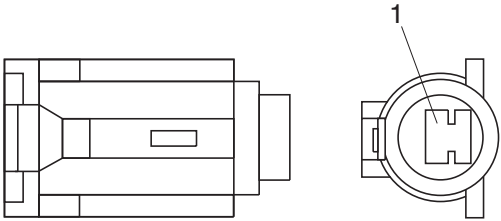
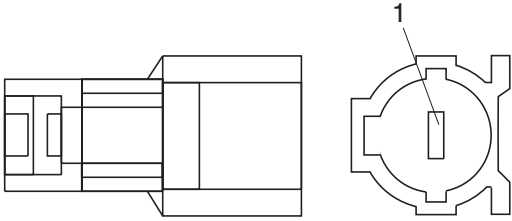
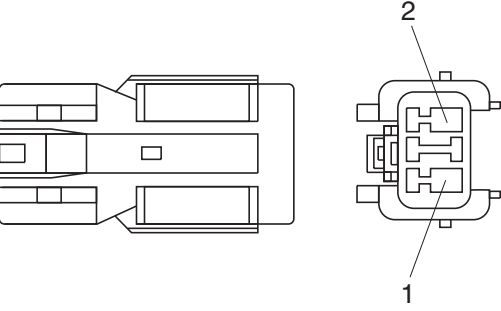
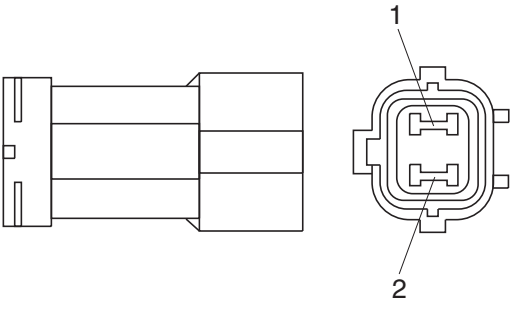
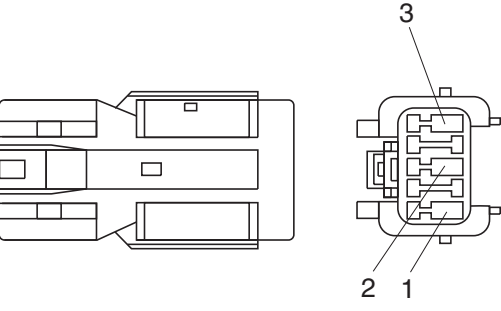
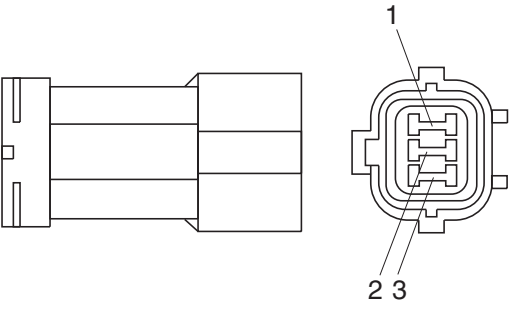
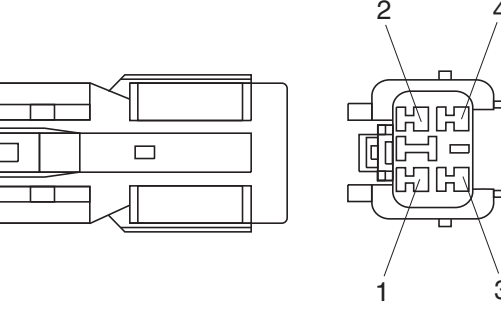
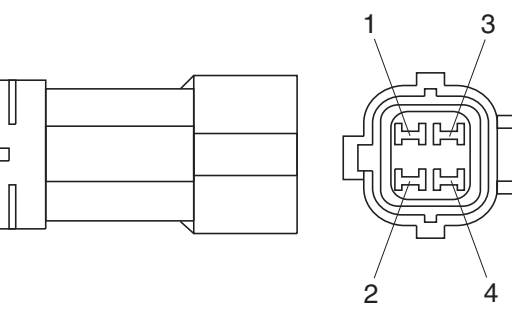
| No. of pin | Receptacle connector (female) | Plug connector (male) |
|------------|--|--|
| 5 |  <p style="text-align: center;">S811-005002</p> |  <p style="text-align: center;">S811-105002</p> |
| 7 |  <p style="text-align: center;">S811-007002</p> |  <p style="text-align: center;">S811-107002</p> |
| 9 |  <p style="text-align: center;">S811-009002</p> |  <p style="text-align: center;">3S811-109002</p> |
| 11 |  <p style="text-align: center;">S811-011002</p> |  <p style="text-align: center;">S811-111002</p> |

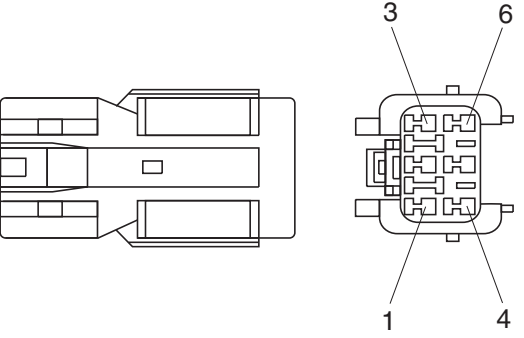
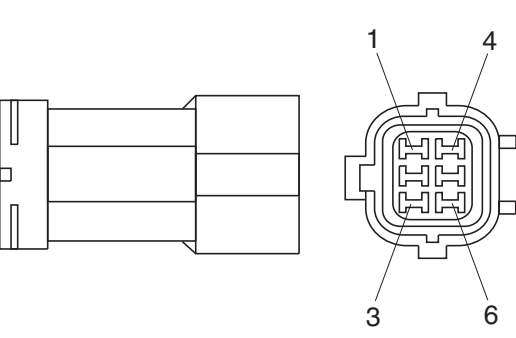
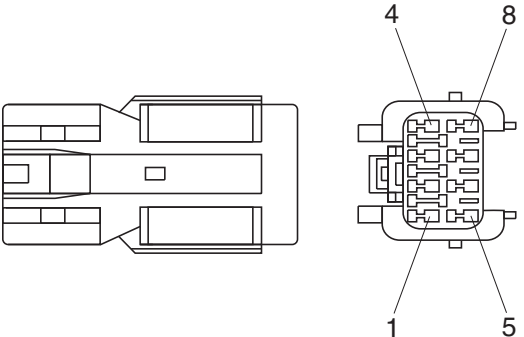
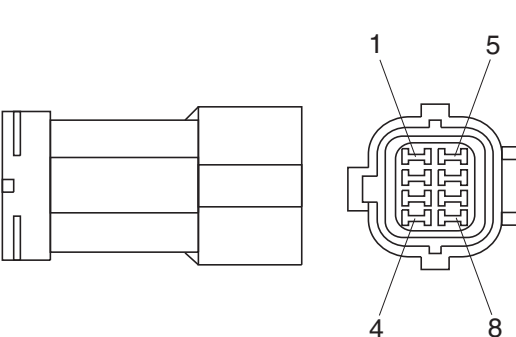
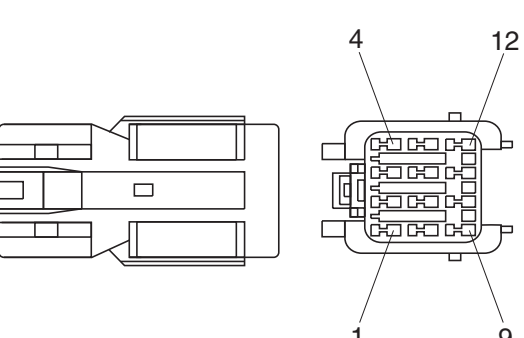
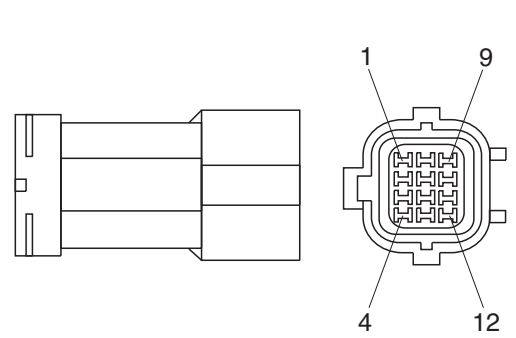
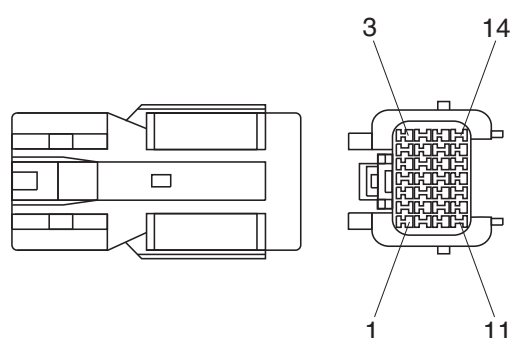
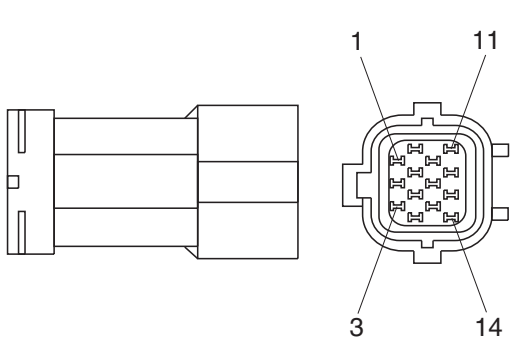
| No. of pin | Receptacle connector (female) | Plug connector (male) |
|------------|--|---|
| 13 |  <p style="text-align: center;">S811-013002</p> |  <p style="text-align: center;">S811-113002</p> |
| 17 |  <p style="text-align: center;">S811-017002</p> |  <p style="text-align: center;">S811-117002</p> |
| 21 |  <p style="text-align: center;">S811-021002</p> |  <p style="text-align: center;">S811-121002</p> |

2) J TYPE CONNECTOR

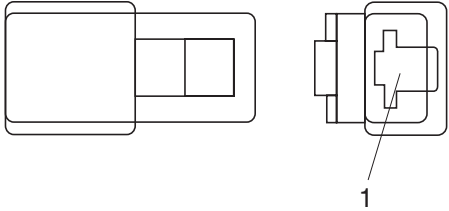
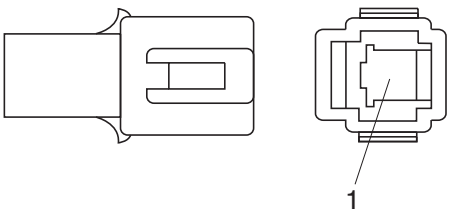
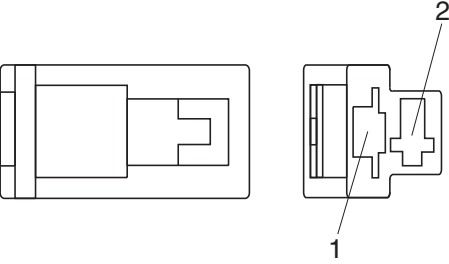
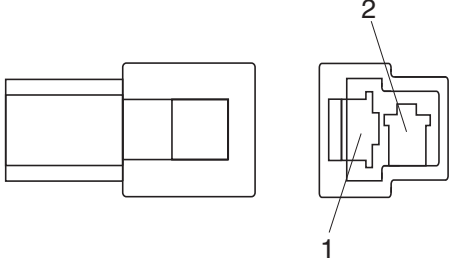
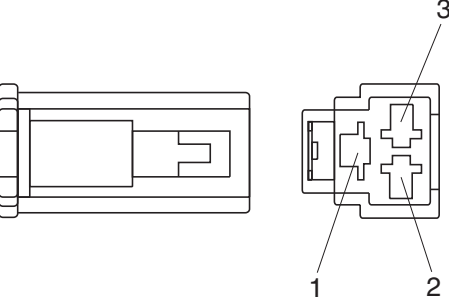
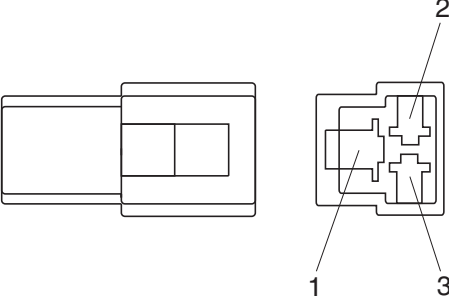
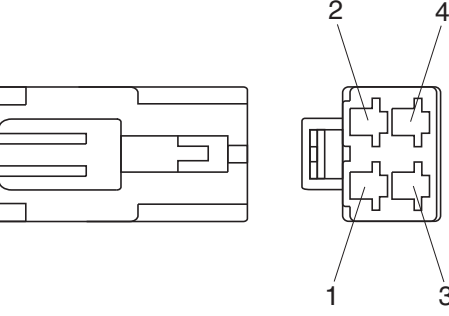
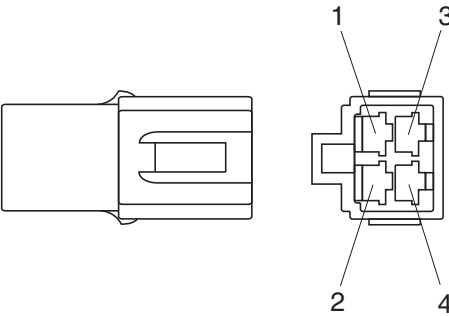
| No. of pin | Receptacle connector (female) | Plug connector (male) |
|------------|--|---|
| 2 |  <p style="text-align: center;">S816-002001</p> |  <p style="text-align: center;">S816-102001</p> |
| 3 |  <p style="text-align: center;">S816-003001</p> |  <p style="text-align: center;">S816-103001</p> |
| 4 |  <p style="text-align: center;">S816-004001</p> |  <p style="text-align: center;">S816-104001</p> |
| 8 |  <p style="text-align: center;">S816-008001</p> |  <p style="text-align: center;">S816-108001</p> |

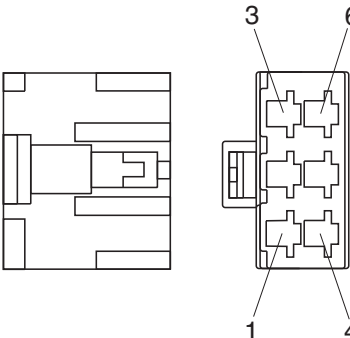
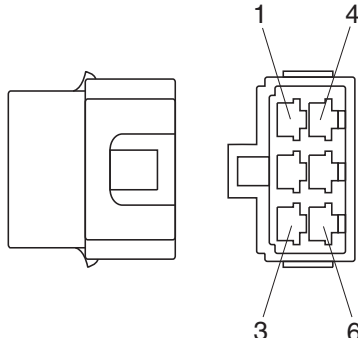
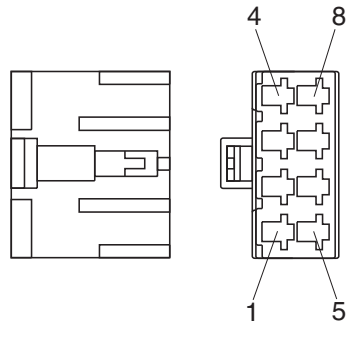
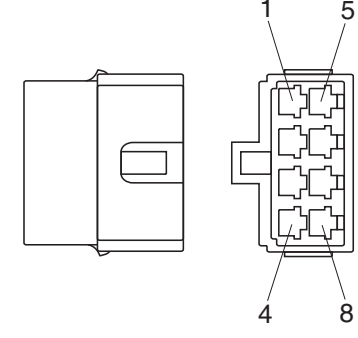
3) SWP TYPE CONNECTOR

| No. of pin | Receptacle connector (female) | Plug connector (male) |
|------------|--|---|
| 1 |  <p data-bbox="687 680 836 712">S814-001000</p> |  <p data-bbox="1241 680 1390 712">S814-101000</p> |
| 2 |  <p data-bbox="687 1084 836 1115">S814-002000</p> |  <p data-bbox="1241 1084 1390 1115">S814-102000</p> |
| 3 |  <p data-bbox="687 1487 836 1518">S814-003000</p> |  <p data-bbox="1241 1487 1390 1518">S814-103000</p> |
| 4 |  <p data-bbox="687 1890 836 1921">S814-004000</p> |  <p data-bbox="1241 1890 1390 1921">S814-104000</p> |

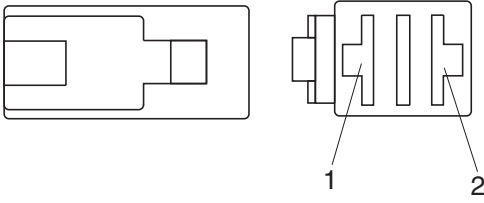
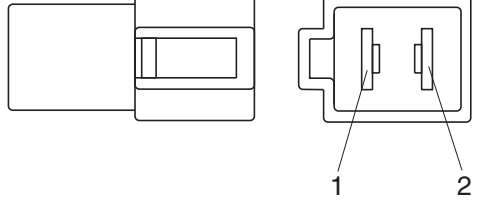
| No. of pin | Receptacle connector (female) | Plug connector (male) |
|------------|--|---|
| 6 |  <p data-bbox="686 638 837 672">S814-006000</p> |  <p data-bbox="1244 638 1396 672">S814-106000</p> |
| 8 |  <p data-bbox="686 1041 837 1075">S814-008000</p> |  <p data-bbox="1244 1041 1396 1075">S814-108000</p> |
| 12 |  <p data-bbox="686 1444 837 1478">S814-012000</p> |  <p data-bbox="1244 1444 1396 1478">S814-112000</p> |
| 14 |  <p data-bbox="686 1848 837 1881">S814-014000</p> |  <p data-bbox="1244 1848 1396 1881">S814-114000</p> |

4) CN TYPE CONNECTOR

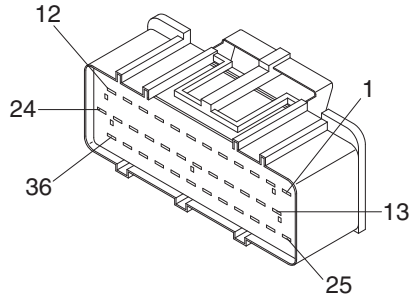
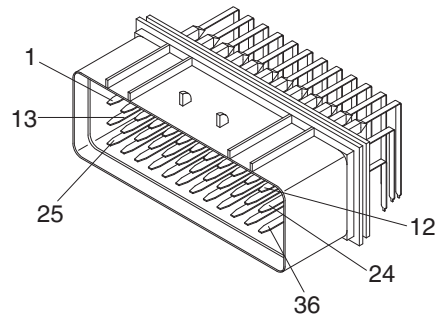
| No. of pin | Receptacle connector (female) | Plug connector (male) |
|------------|--|---|
| 1 |  <p style="text-align: center;">S810-001202</p> |  <p style="text-align: center;">S810-101202</p> |
| 2 |  <p style="text-align: center;">S810-002202</p> |  <p style="text-align: center;">S810-102202</p> |
| 3 |  <p style="text-align: center;">S810-003202</p> |  <p style="text-align: center;">S810-103202</p> |
| 4 |  <p style="text-align: center;">S810-004202</p> |  <p style="text-align: center;">S810-104202</p> |

| No. of pin | Receptacle connector (female) | Plug connector (male) |
|------------|---|--|
| 6 |  <p data-bbox="686 638 837 672">S810-006202</p> |  <p data-bbox="1244 638 1396 672">S810-106202</p> |
| 8 |  <p data-bbox="686 1041 837 1075">S810-008202</p> |  <p data-bbox="1244 1041 1396 1075">S810-108202</p> |

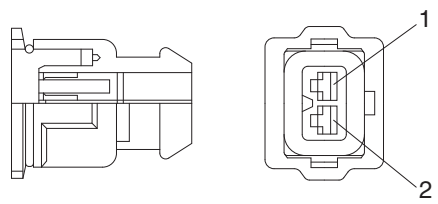
5) 375 FASTEN TYPE CONNECTOR

| No. of pin | Receptacle connector (female) | Plug connector (male) |
|------------|--|---|
| 2 |  <p style="text-align: center;">S810-002402</p> |  <p style="text-align: center;">S810-102402</p> |

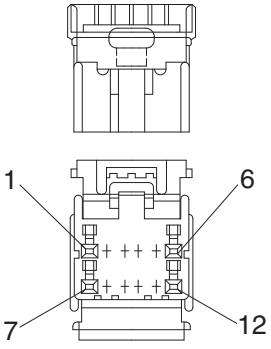
6) AMP ECONOSEAL CONNECTOR

| No. of pin | Receptacle connector (female) | Plug connector (male) |
|------------|--|---|
| 36 |  <p style="text-align: center;">344111-1</p> |  <p style="text-align: center;">344108-1</p> |

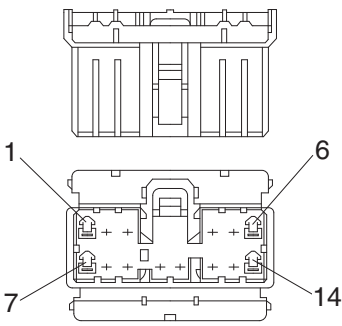
7) AMP TIMER CONNECTOR

| No. of pin | Receptacle connector (female) | Plug connector (male) |
|------------|--|-----------------------|
| 2 |  <p style="text-align: center;">85202-1</p> | |

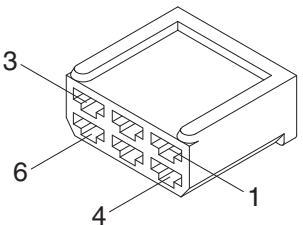
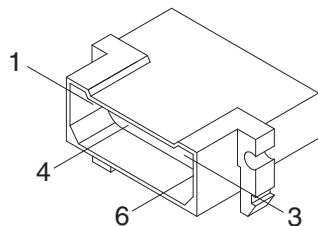
8) AMP 040 MULTILOCK CONNECTOR

| No. of pin | Receptacle connector (female) | Plug connector (male) |
|------------|--|-----------------------|
| 12 |  <p style="text-align: right;">174045-2</p> | |

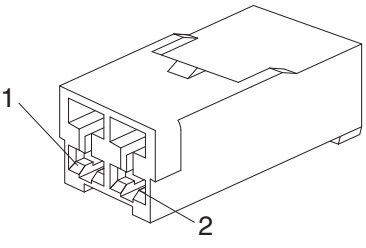
9) AMP 070 MULTILOCK CONNECTOR

| No. of pin | Receptacle connector (female) | Plug connector (male) |
|------------|---|-----------------------|
| 14 |  <p style="text-align: right;">173852</p> | |

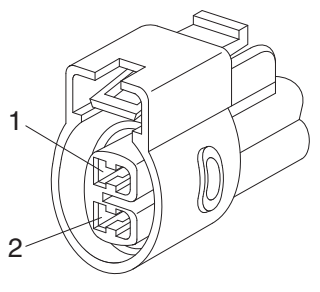
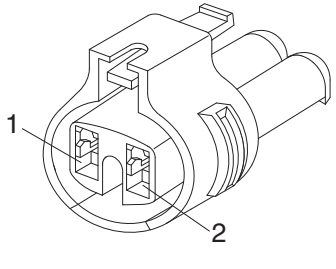
10) AMP FASTIN - FASTON CONNECTOR

| No. of pin | Receptacle connector (female) | Plug connector (male) |
|------------|--|---|
| 6 |  <p style="text-align: right;">925276-0</p> |  <p style="text-align: right;">480003-9</p> |

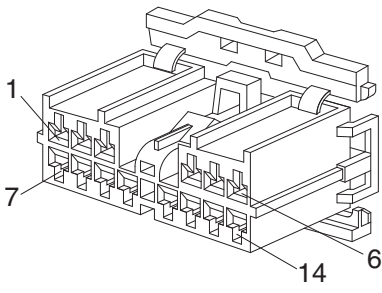
11) KET 090 CONNECTOR

| No. of pin | Receptacle connector (female) | Plug connector (male) |
|------------|--|-----------------------|
| 2 |  <p style="text-align: right;">MG610070</p> | |

12) KET 090 WP CONNECTORS

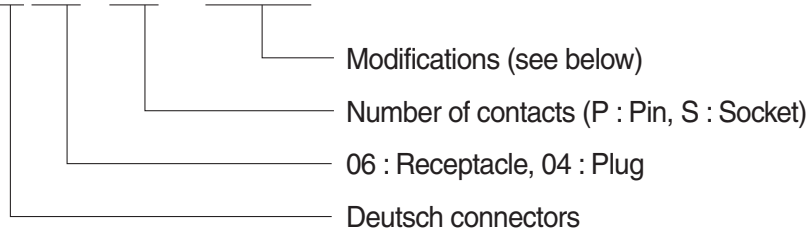
| No. of pin | Receptacle connector (female) | Plug connector (male) |
|------------|--|-----------------------|
| 2 |  <p style="text-align: right;">MG640605</p> | |
| 2 |  <p style="text-align: right;">MG640795</p> | |

13) KET SDL CONNECTOR

| No. of pin | Receptacle connector (female) | Plug connector (male) |
|------------|---|-----------------------|
| 14 |  <p data-bbox="710 683 837 705">MG610406</p> | |

14) DEUTSCH DT CONNECTORS

DT 06 - 3S - ★★☆☆



※ Modification

E003 : Standard end cap - gray

E004 : Color of connector to be black

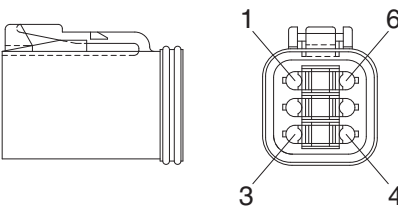
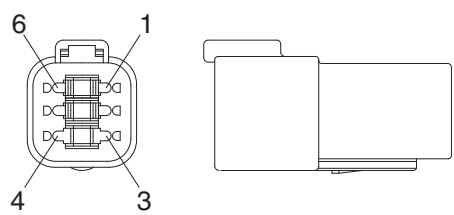
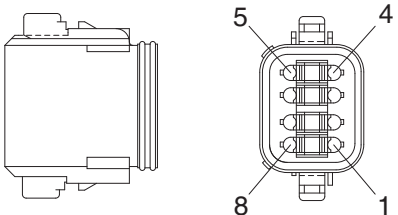
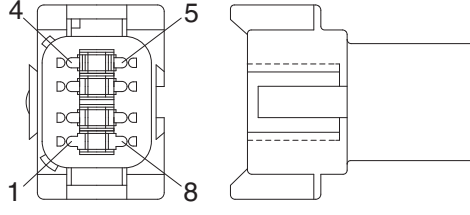
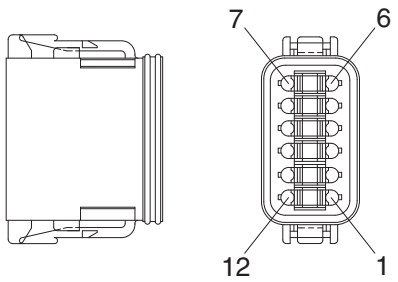
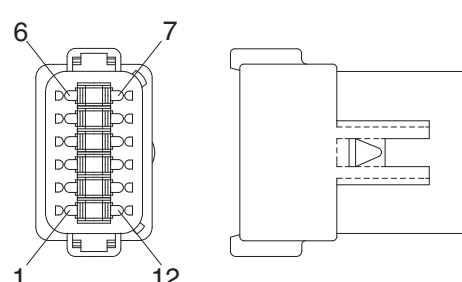
E005 : Combination - E004 & E003

EP04 : End cap

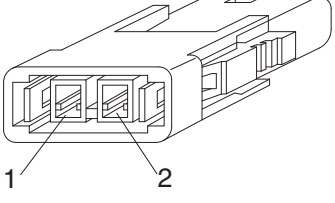
EP06 : Combination P012 & EP04

P012 : Front seal enhancement - connectors color to black for 2, 3, 4 & 6pin

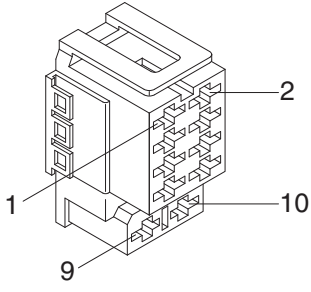
| No. of pin | Receptacle connector (female) | Plug connector (male) |
|------------|-------------------------------|-----------------------|
| 2 | <p>DT06-2S</p> | <p>DT04-2P</p> |
| 3 | <p>DT06-3S</p> | <p>DT04-3P</p> |
| 4 | <p>DT06-4S</p> | <p>DT04-4P</p> |

| No. of pin | Receptacle connector (female) | Plug connector (male) |
|------------|---|--|
| 6 |  <p style="text-align: center;">DT06-6S</p> |  <p style="text-align: center;">DT04-6P</p> |
| 8 |  <p style="text-align: center;">DT06-8S</p> |  <p style="text-align: center;">DT04-8P</p> |
| 12 |  <p style="text-align: center;">DT06-12S</p> |  <p style="text-align: center;">DT04-12P</p> |

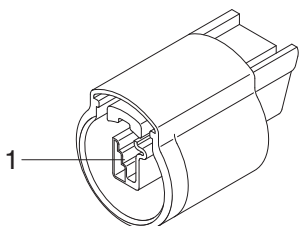
15) MOLEX 2CKTS CONNECTOR

| No. of pin | Receptacle connector (female) | Plug connector (male) |
|------------|---|-----------------------|
| 2 |  <p data-bbox="702 683 837 705">35215-0200</p> | |

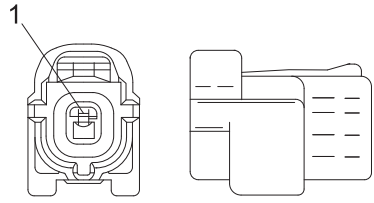
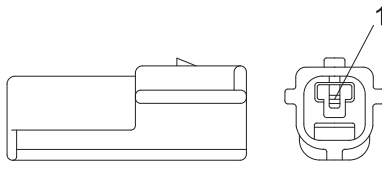
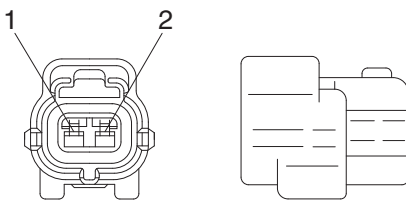
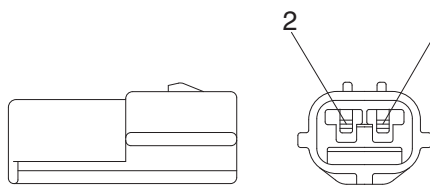
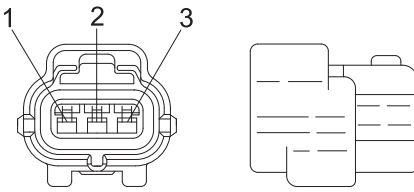
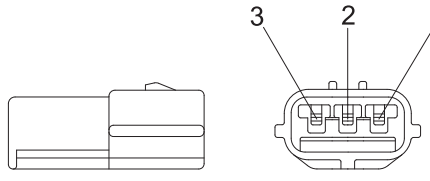
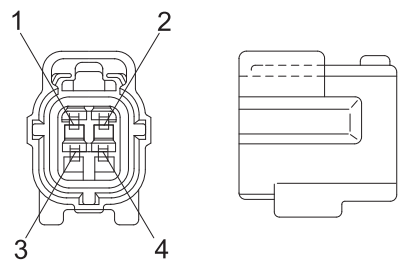
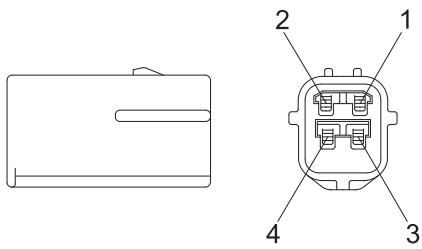
16) ITT SWF CONNECTOR

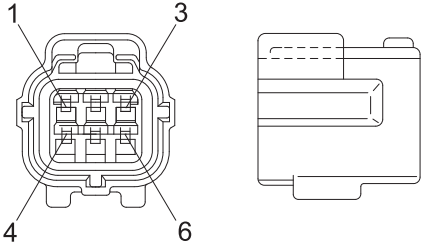
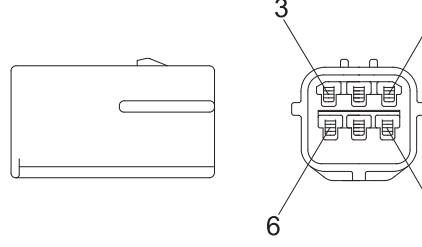
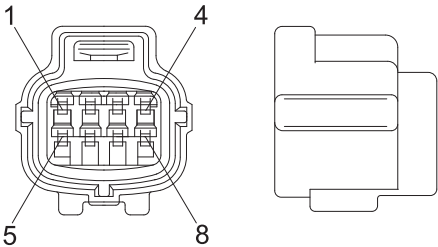
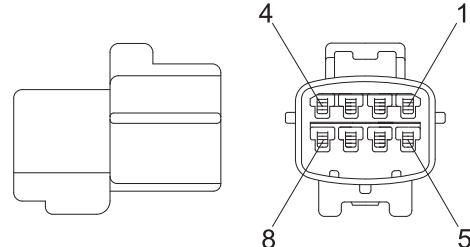
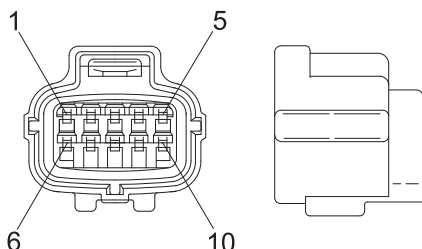
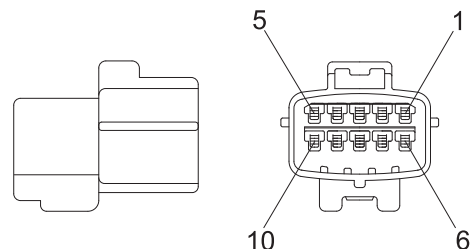
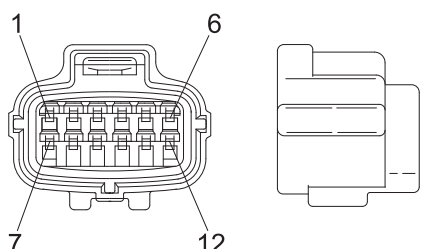
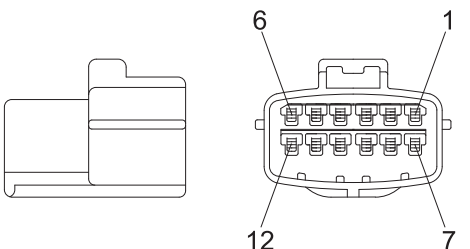
| No. of pin | Receptacle connector (female) | Plug connector (male) |
|------------|---|-----------------------|
| 10 |  <p data-bbox="694 1288 837 1310">SWF593757</p> | |

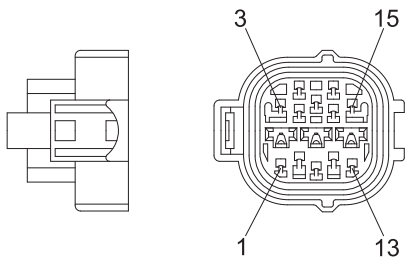
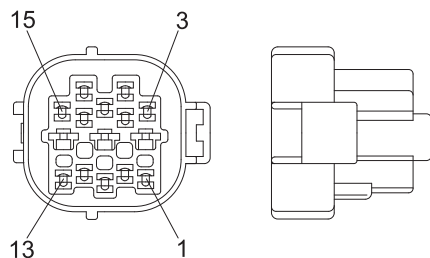
17) MWP NMWP CONNECTOR

| No. of pin | Receptacle connector (female) | Plug connector (male) |
|------------|--|-----------------------|
| 1 |  <p data-bbox="686 1892 837 1915">NMWP01F-B</p> | |

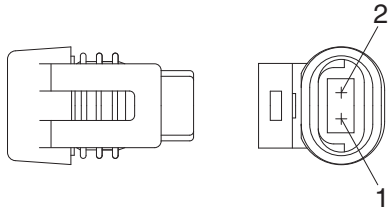
18) ECONOSEAL J TYPE CONNECTORS

| No. of pin | Receptacle connector (female) | Plug connector (male) |
|------------|--|---|
| 1 |  <p style="text-align: center;">S816-001002</p> |  <p style="text-align: center;">S816-101002</p> |
| 2 |  <p style="text-align: center;">S816-002002</p> |  <p style="text-align: center;">S816-102002</p> |
| 3 |  <p style="text-align: center;">S816-003002</p> |  <p style="text-align: center;">S816-103002</p> |
| 4 |  <p style="text-align: center;">S816-004002</p> |  <p style="text-align: center;">S816-104002</p> |

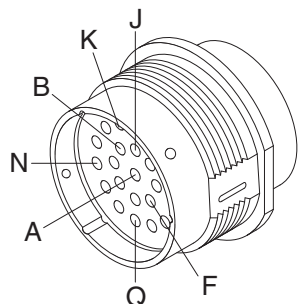
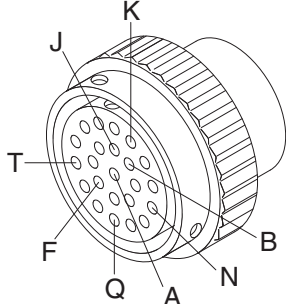
| No. of pin | Receptacle connector (female) | Plug connector (male) |
|------------|--|---|
| 6 |  <p data-bbox="686 638 837 672">S816-006002</p> |  <p data-bbox="1236 638 1388 672">S816-106002</p> |
| 8 |  <p data-bbox="686 1041 837 1075">S816-008002</p> |  <p data-bbox="1236 1041 1388 1075">S816-108002</p> |
| 10 |  <p data-bbox="686 1444 837 1478">S816-010002</p> |  <p data-bbox="1236 1444 1388 1478">S816-110002</p> |
| 12 |  <p data-bbox="686 1848 837 1881">S816-012002</p> |  <p data-bbox="1236 1848 1388 1881">S816-112002</p> |

| No. of pin | Receptacle connector (female) | Plug connector (male) |
|------------|---|---|
| 15 |  <p data-bbox="730 633 834 663">368301-1</p> |  <p data-bbox="1276 633 1380 663">2-85262-1</p> |

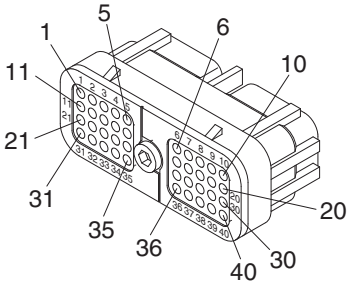
19) METRI-PACK TYPE CONNECTOR

| No. of pin | Receptacle connector (female) | Plug connector (male) |
|------------|--|-----------------------|
| 2 |  <p data-bbox="726 1236 829 1265">12040753</p> | |

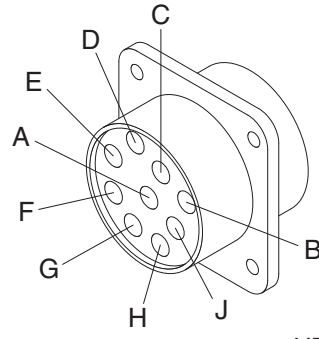
20) DEUTSCH HD30 CONNECTOR

| No. of pin | Receptacle connector (female) | Plug connector (male) |
|------------|---|--|
| 23 |  <p data-bbox="667 1839 834 1868">HD36-24-23SN</p> |  <p data-bbox="1220 1839 1388 1868">HD34-24-23PN</p> |

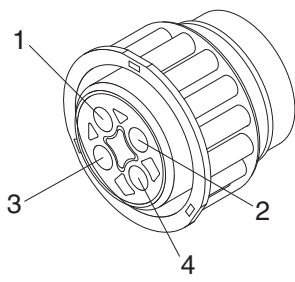
21) DEUTSCH MCU CONNECTOR

| No. of pin | Receptacle connector (Female) | Plug connector (Male) |
|------------|--|-----------------------|
| 40 |  <p style="text-align: right;">DRC26-40SA/B</p> | |

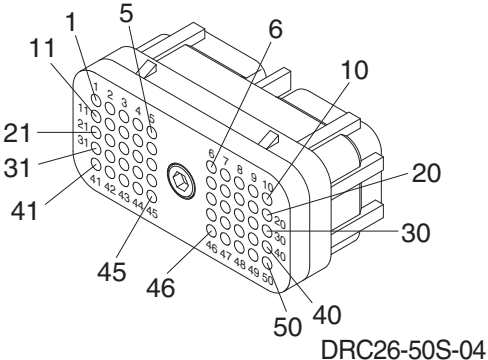
22) DEUTSCH SERVICE TOOL CONNECTOR

| No. of pin | Receptacle connector (Female) | Plug connector (Male) |
|------------|---|-----------------------|
| 9 |  <p style="text-align: right;">HD10-9-96P</p> | |

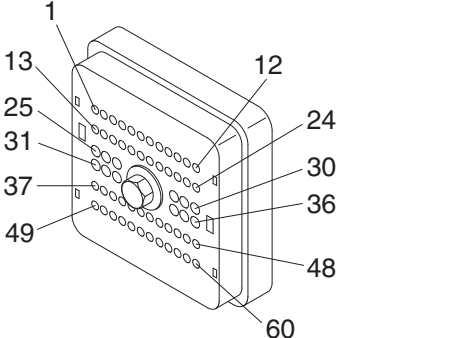
23) AMP FUEL WARMER CONNECTOR

| No. of pin | Receptacle connector (Female) | Plug connector (Male) |
|------------|--|-----------------------|
| 4 |  <p style="text-align: right;">2-967325-3</p> | |

24) DEUTSCH ENGINE ECM CONNECTOR

| No. of pin | Receptacle connector (Female) | Plug connector (Male) |
|------------|--|-----------------------|
| 50 |  <p style="text-align: right;">DRC26-50S-04</p> | |

25) DEUTSCH INTERMEDIATE CONNECTOR

| No. of pin | Receptacle connector (Female) | Plug connector (Male) |
|------------|---|-----------------------|
| 60 |  <p style="text-align: right;">DRB16-60SAE-L018</p> | |