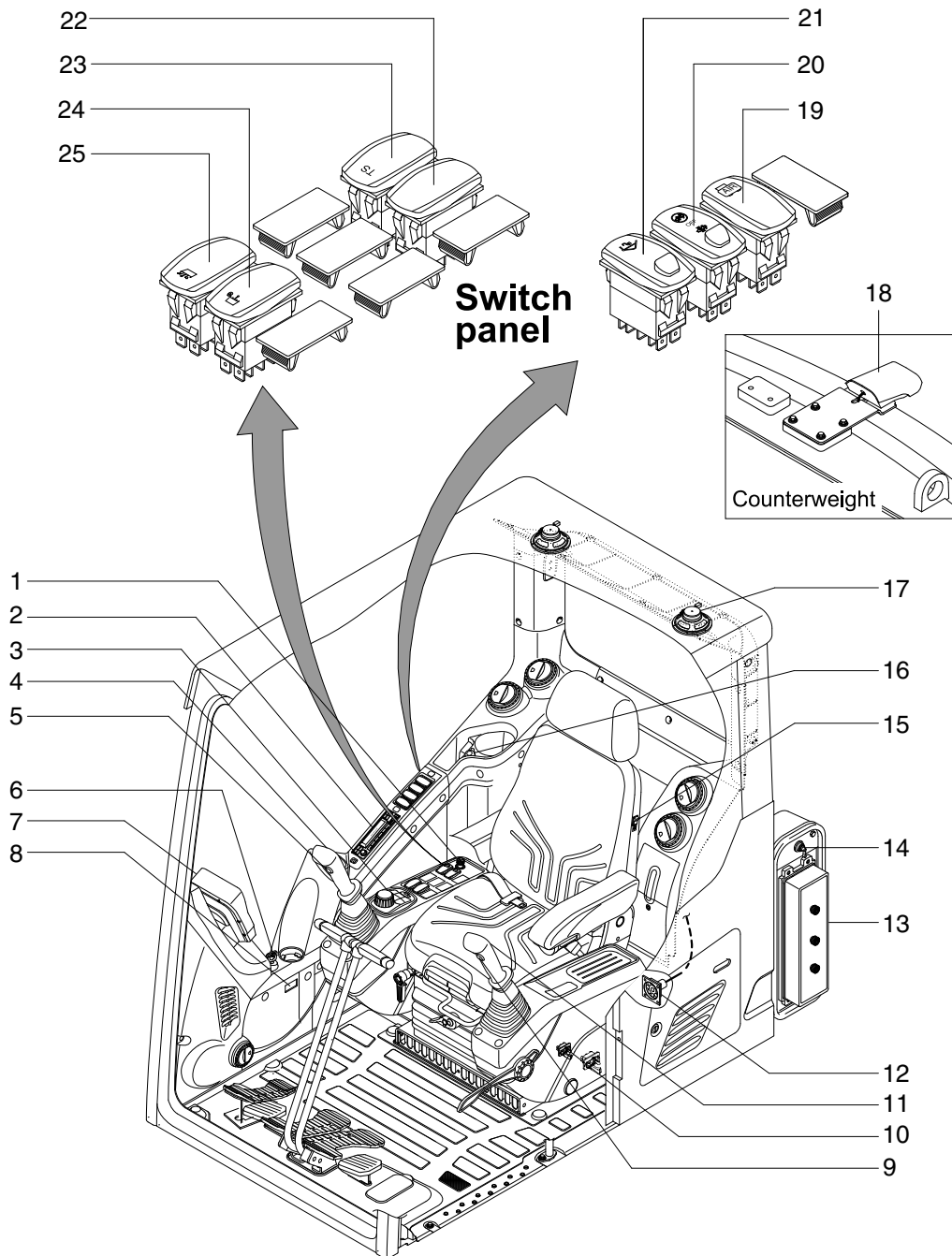


SECTION 4 ELECTRICAL SYSTEM

Group 1 Component Location	4-1
Group 2 Electrical Circuit	4-3
Group 3 Electrical Component Specification	4-23
Group 4 Connectors	4-36

GROUP 1 COMPONENT LOCATION

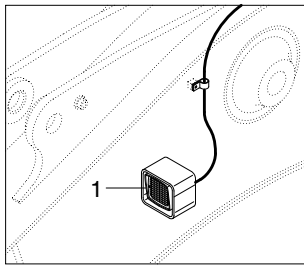
1. LOCATION 1



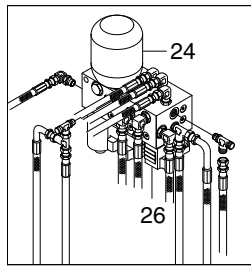
140A4EL01

- | | | |
|----------------------------|---------------------------------|-----------------------------------|
| 1 Cigar lighter | 10 Emergency engine stop switch | 19 Air compressor switch (opt) |
| 2 Radio & USB player | 11 One touch decel switch | 20 Exhaust system cleaning switch |
| 3 Haptic controller | 12 RS232 & J1939 service socket | 21 Quick clamp switch (opt) |
| 4 Horn switch | 13 Fuse & relay box | 22 Option attachment switch (opt) |
| 5 Breaker operation switch | 14 Master switch | 23 Travel straight switch (opt) |
| 6 Starting switch | 15 Seat heater switch | 24 Swing lock switch (opt) |
| 7 Cluster | 16 Power socket | 25 Free/fine swing switch (opt) |
| 8 Service meter | 17 Speaker | |
| 9 Power max switch | 18 Camera | |

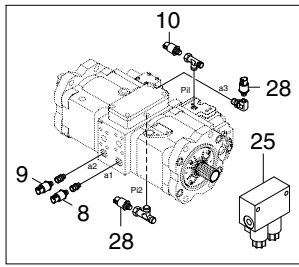
2. LOCATION 2



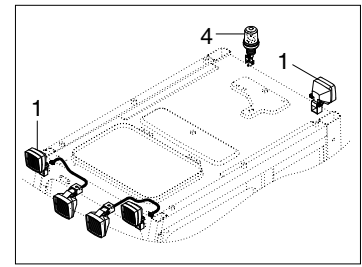
BOOM



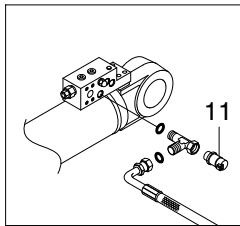
SOLENOID VALVE



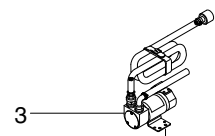
MAIN PUMP



CAB

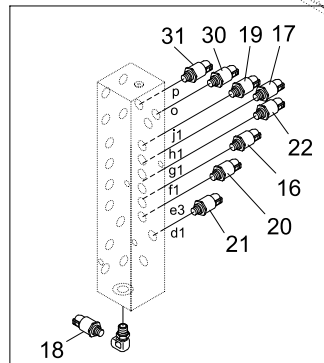


BOOM SAFETY VALVE

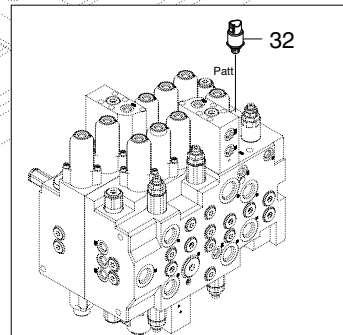
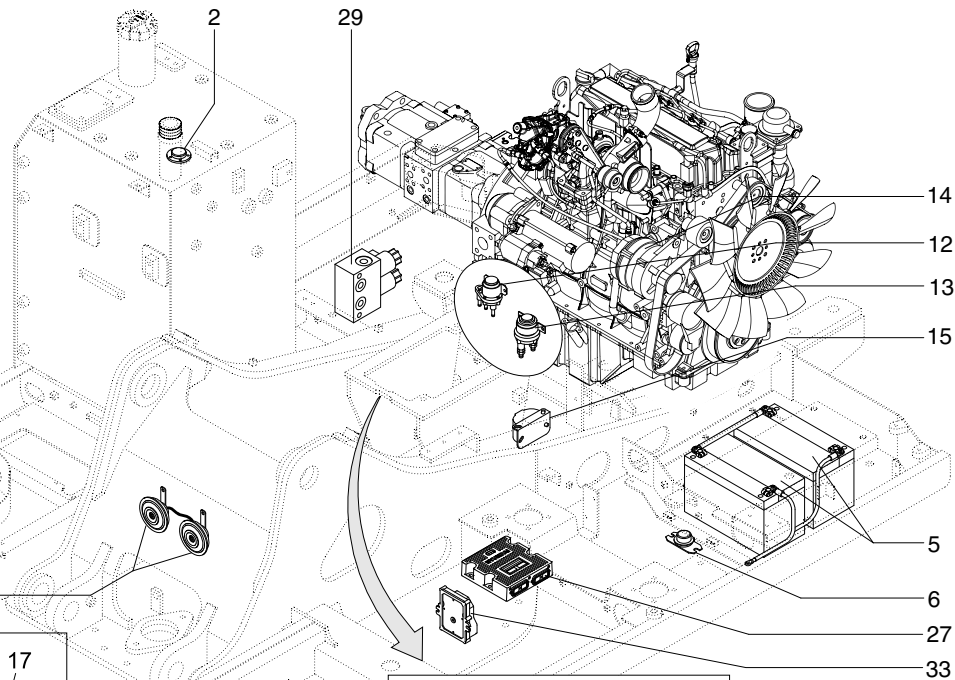


1

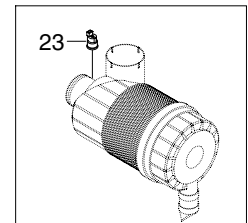
7



TERMINAL BLOCK



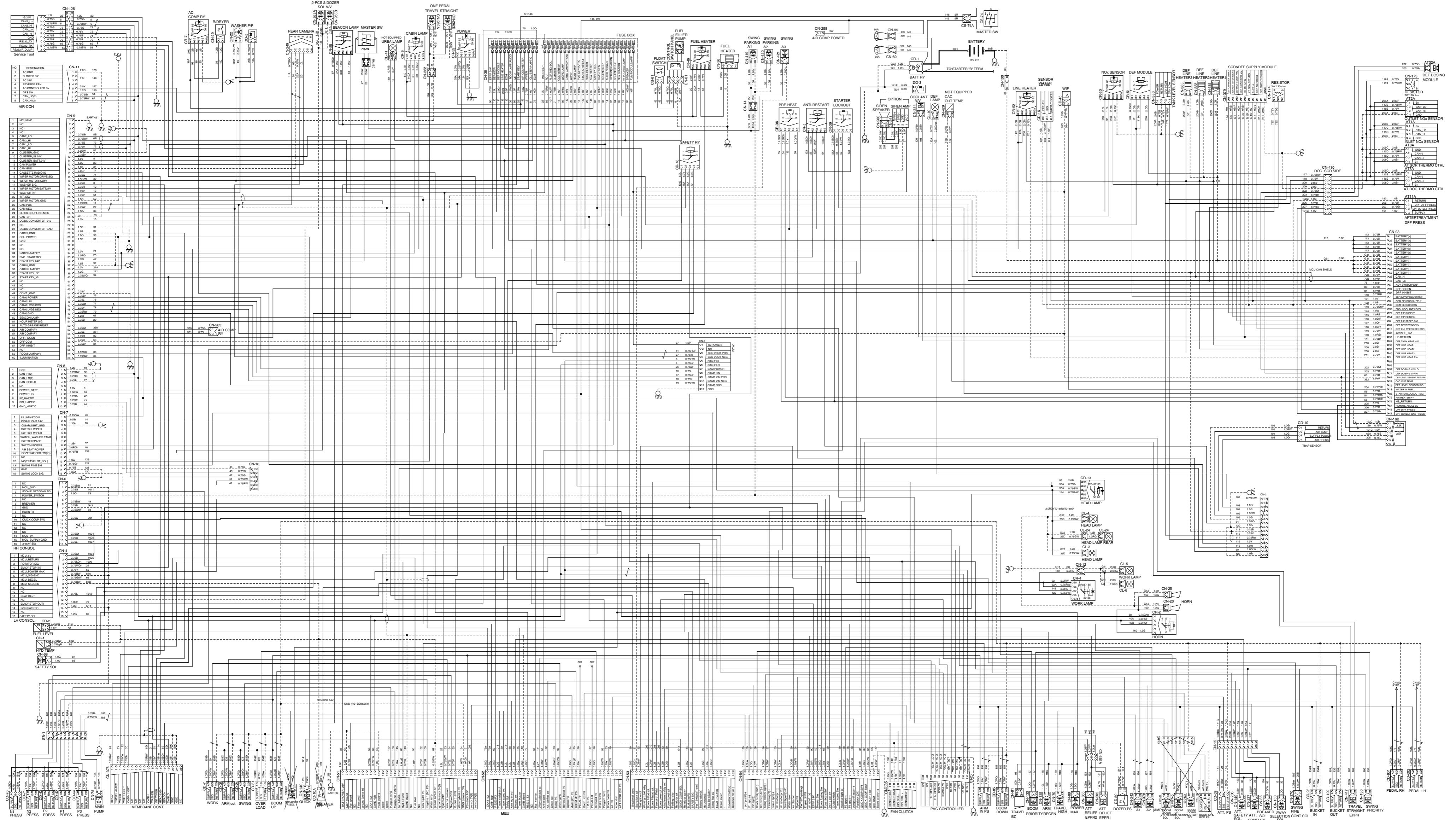
MAIN CONTROL VALVE



AIR CLEANER

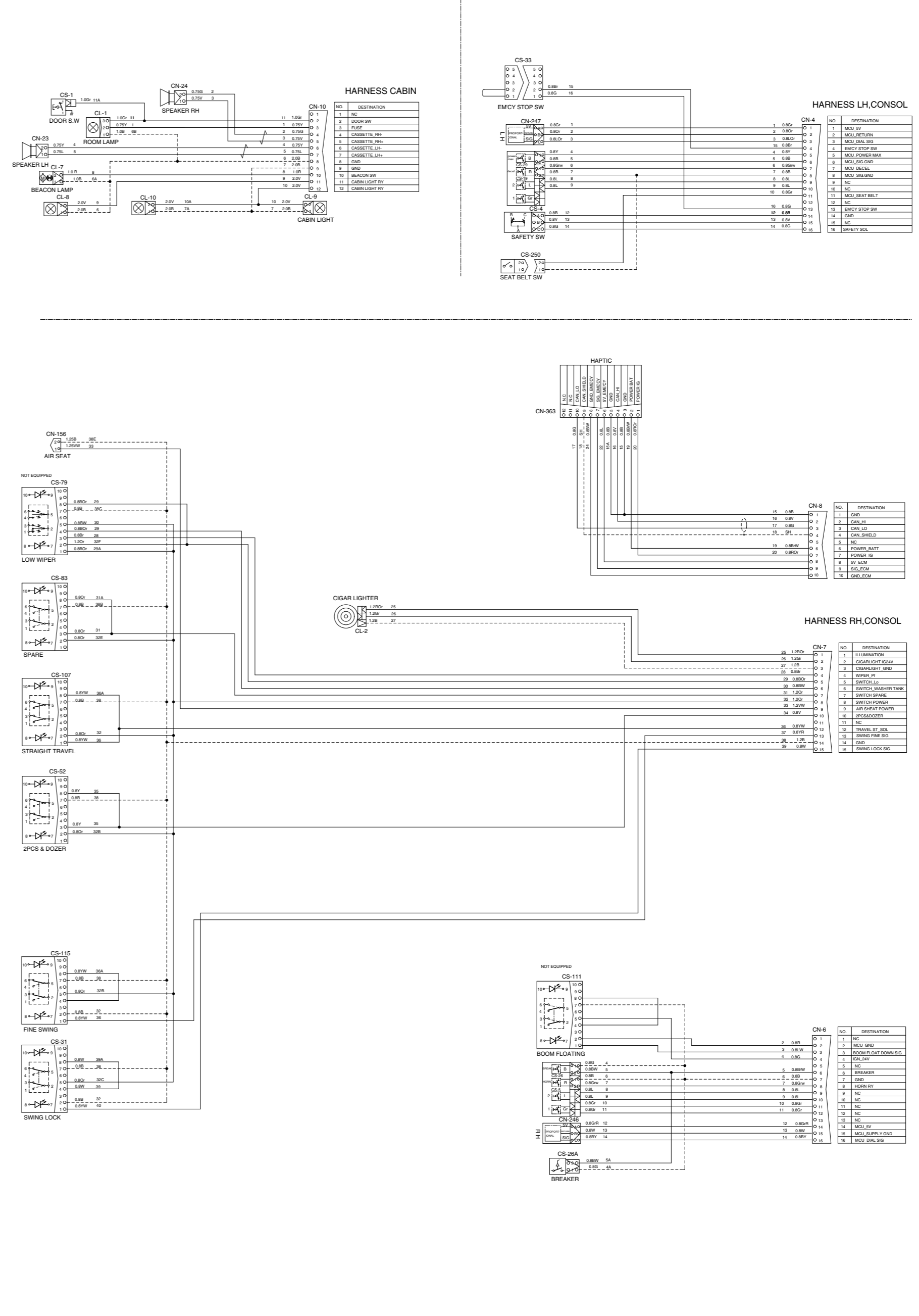
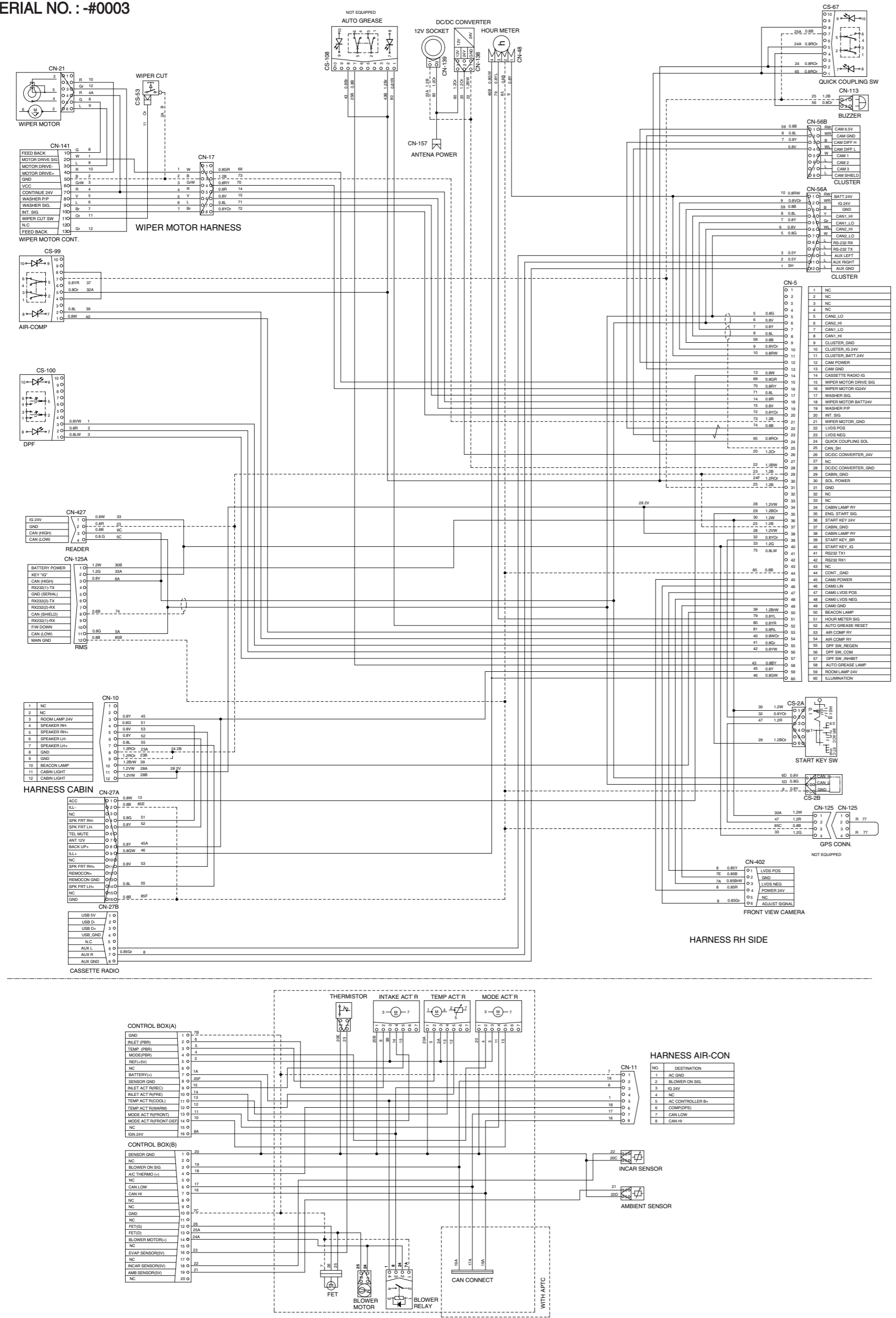
140A4EL02

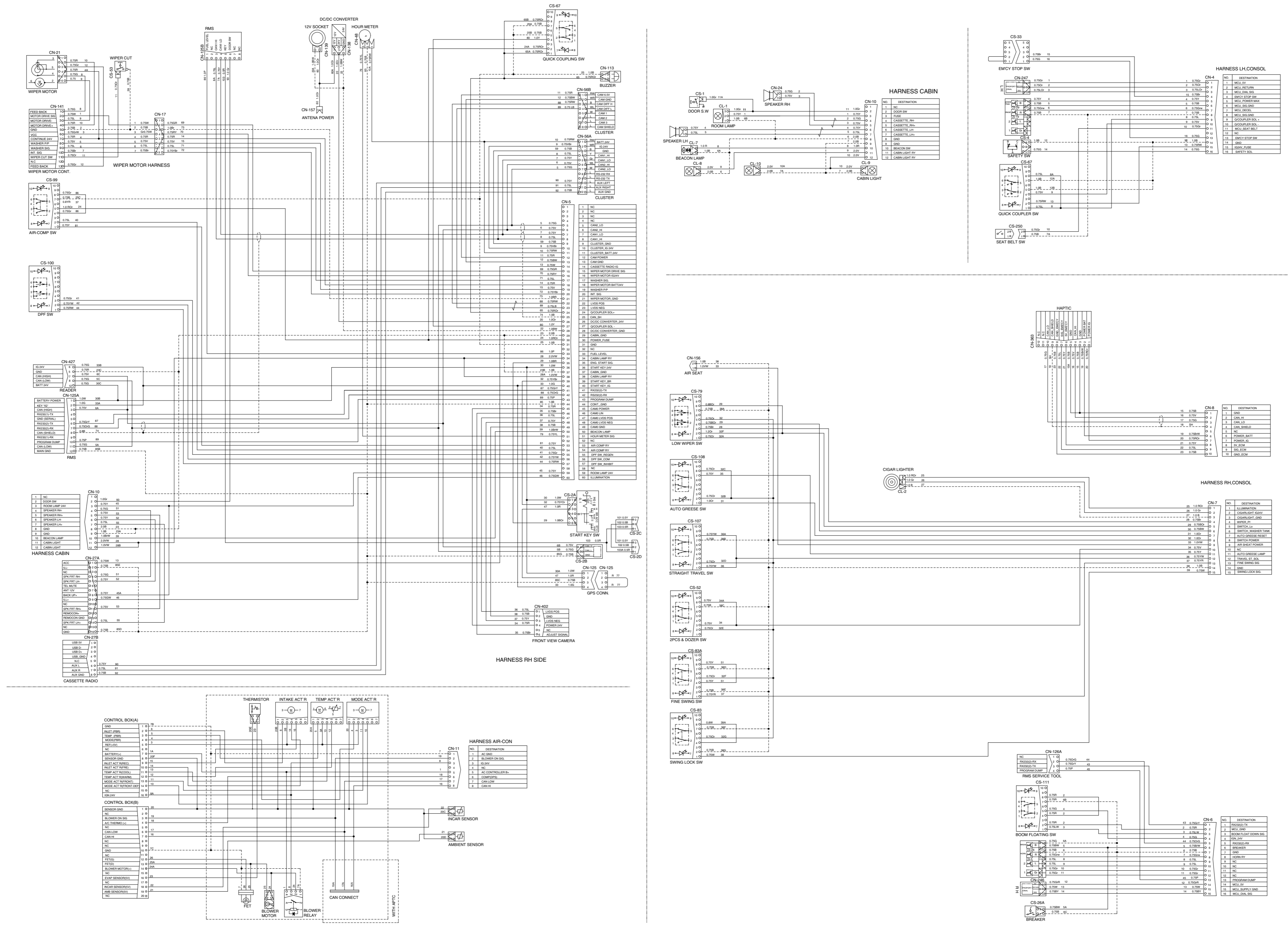
- | | | |
|-----------------------------|-------------------------------|--|
| 1 Lamp | 13 Heater relay | 25 Pump flow control EPPR valve |
| 2 Fuel sender | 14 Alternator | 26 Boom priority EPPR valve |
| 3 Fuel filler pump | 15 Travel alarm buzzer | 27 MCU |
| 4 Beacon lamp | 16 Bucket in pressure sensor | 28 Nega-control pressure sensor |
| 5 Battery | 17 Boom up pressure sensor | 29 EPPR valve (travel straight & swing priority) |
| 6 Battery relay | 18 Swing pressure sensor | 30 LH Travel pressure sensor |
| 7 Horn | 19 Boom down pressure sensor | 31 RH Travel pressure sensor |
| 8 A1 pump pressure sensor | 20 Arm in pressure sensor | 32 Attach pressure sensor |
| 9 A2 pump pressure sensor | 21 Arm out pressure sensor | 33 RDU assy |
| 10 EPPR pressure sensor | 22 Bucket out pressure sensor | |
| 11 Overload pressure sensor | 23 Air cleaner sensor | |
| 12 Start relay | 24 Solenoid valve | |

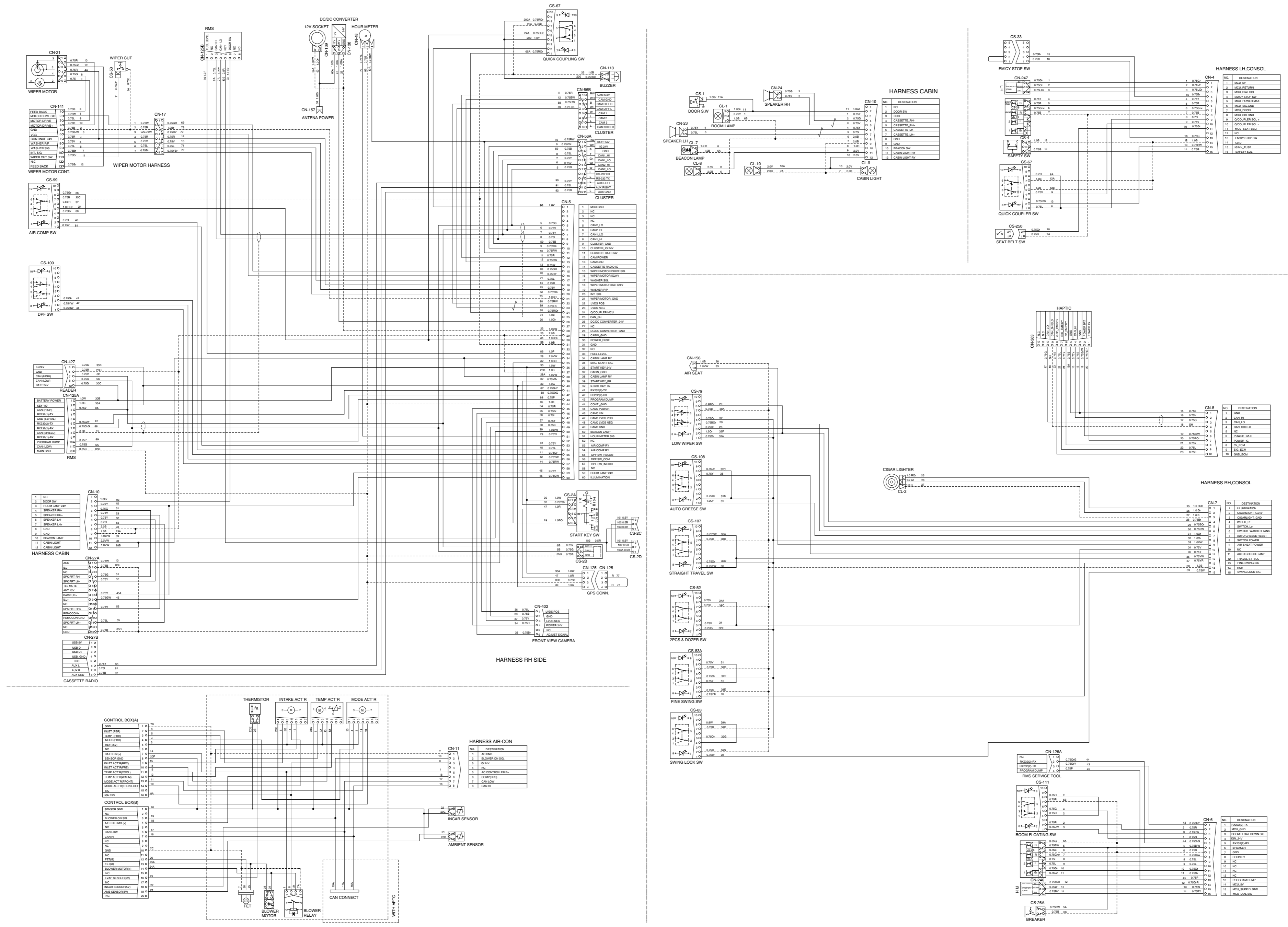


ELECTRICAL CIRCUIT (2/3)

- MACHINE SERIAL NO. : #0003

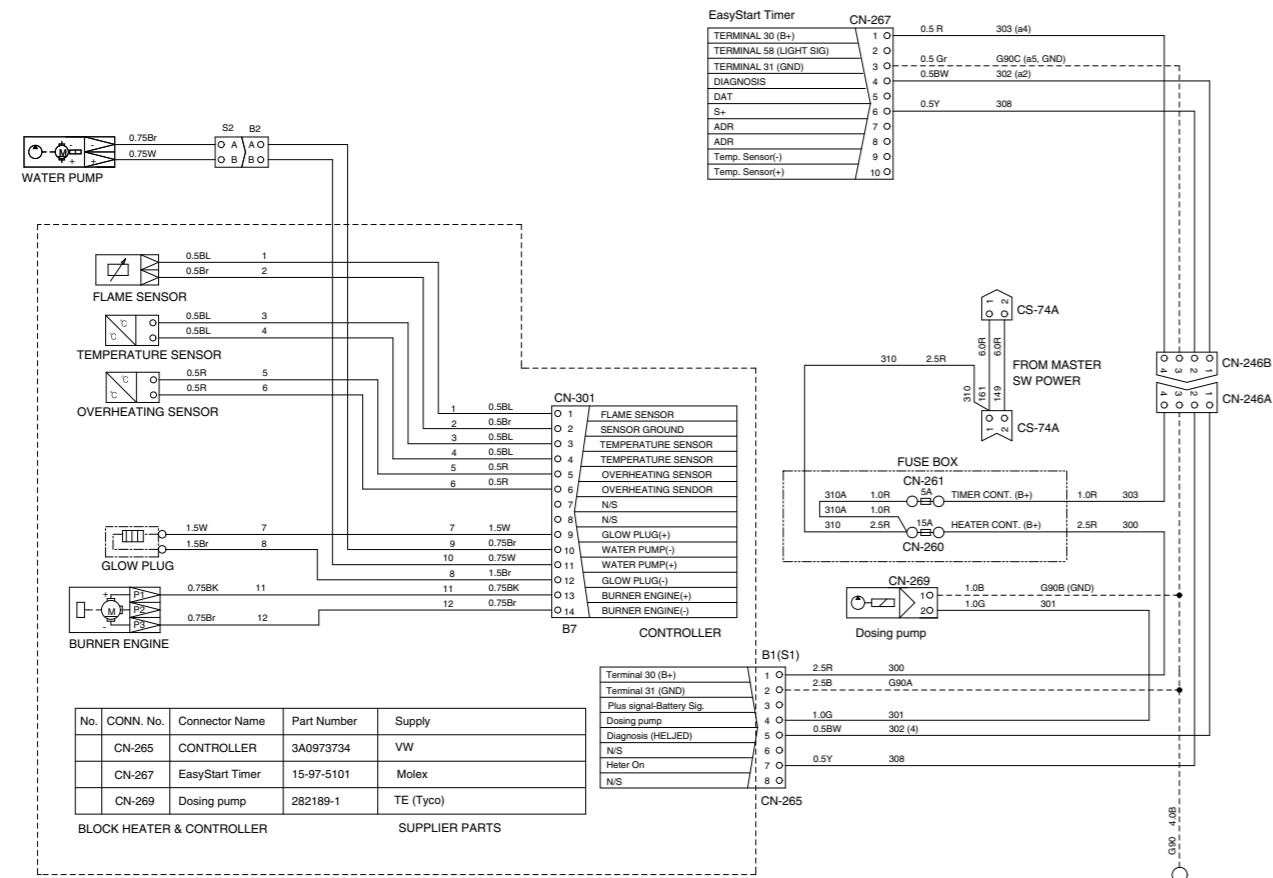






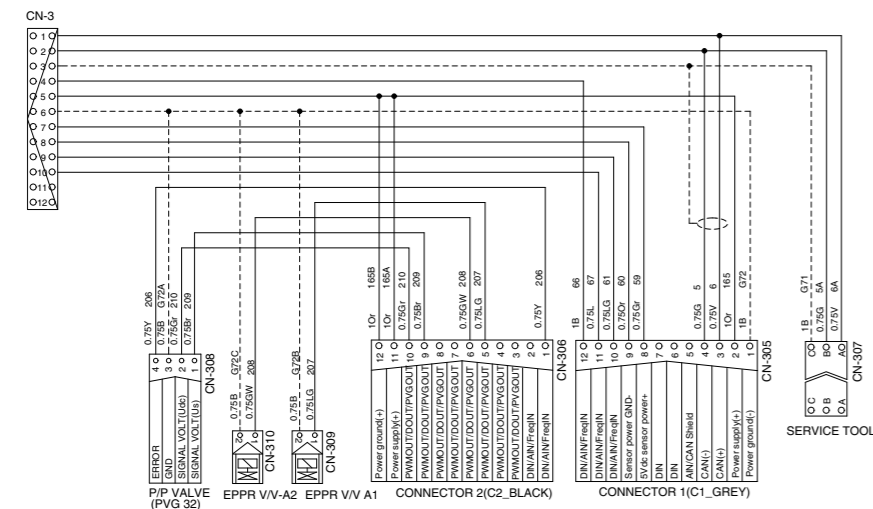
ELECTRICAL CIRCUIT (3/3)

- MACHINE SERIAL NO. : #0003

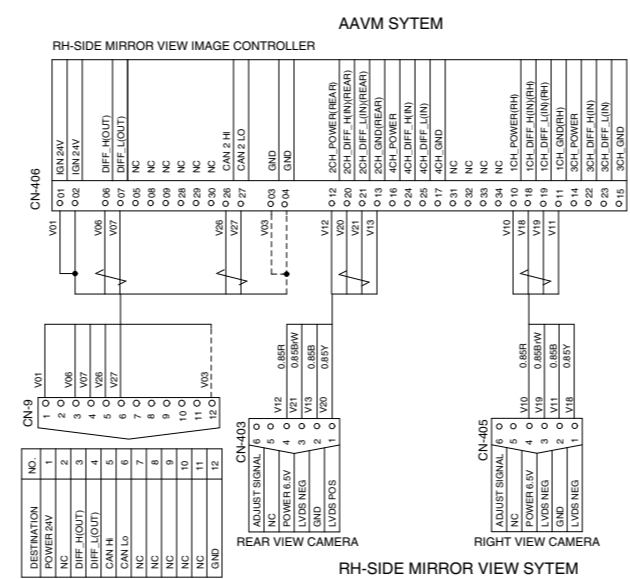
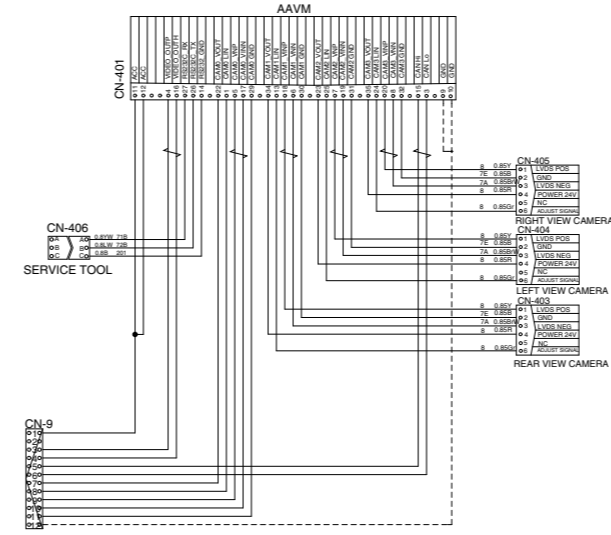
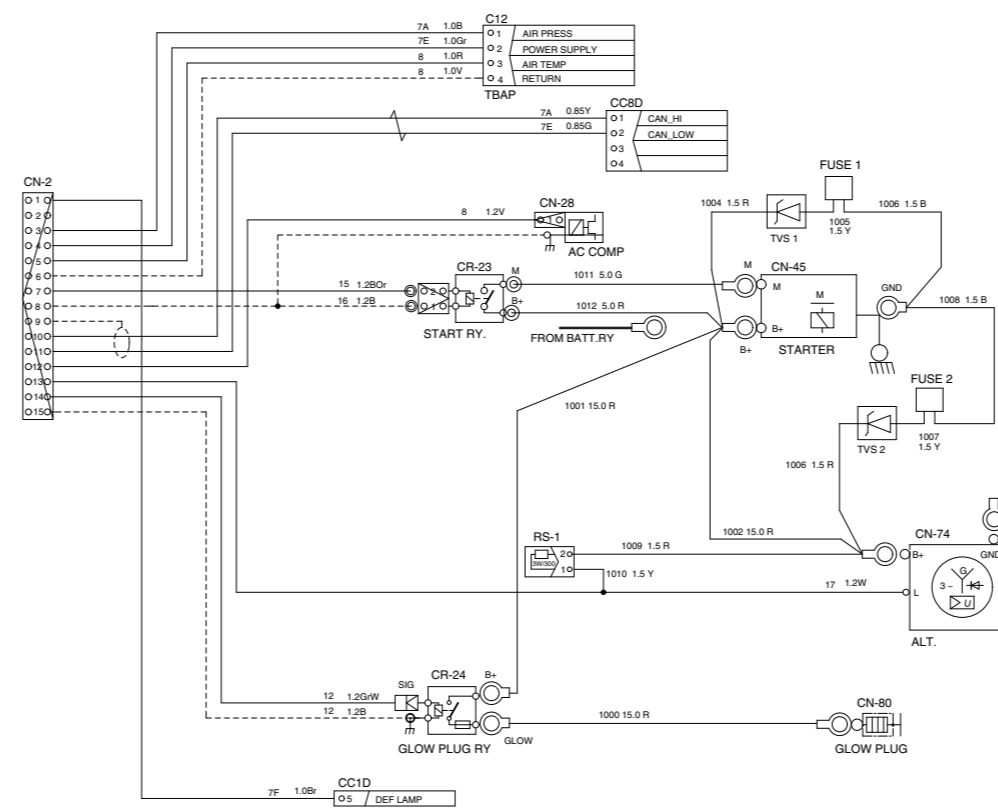


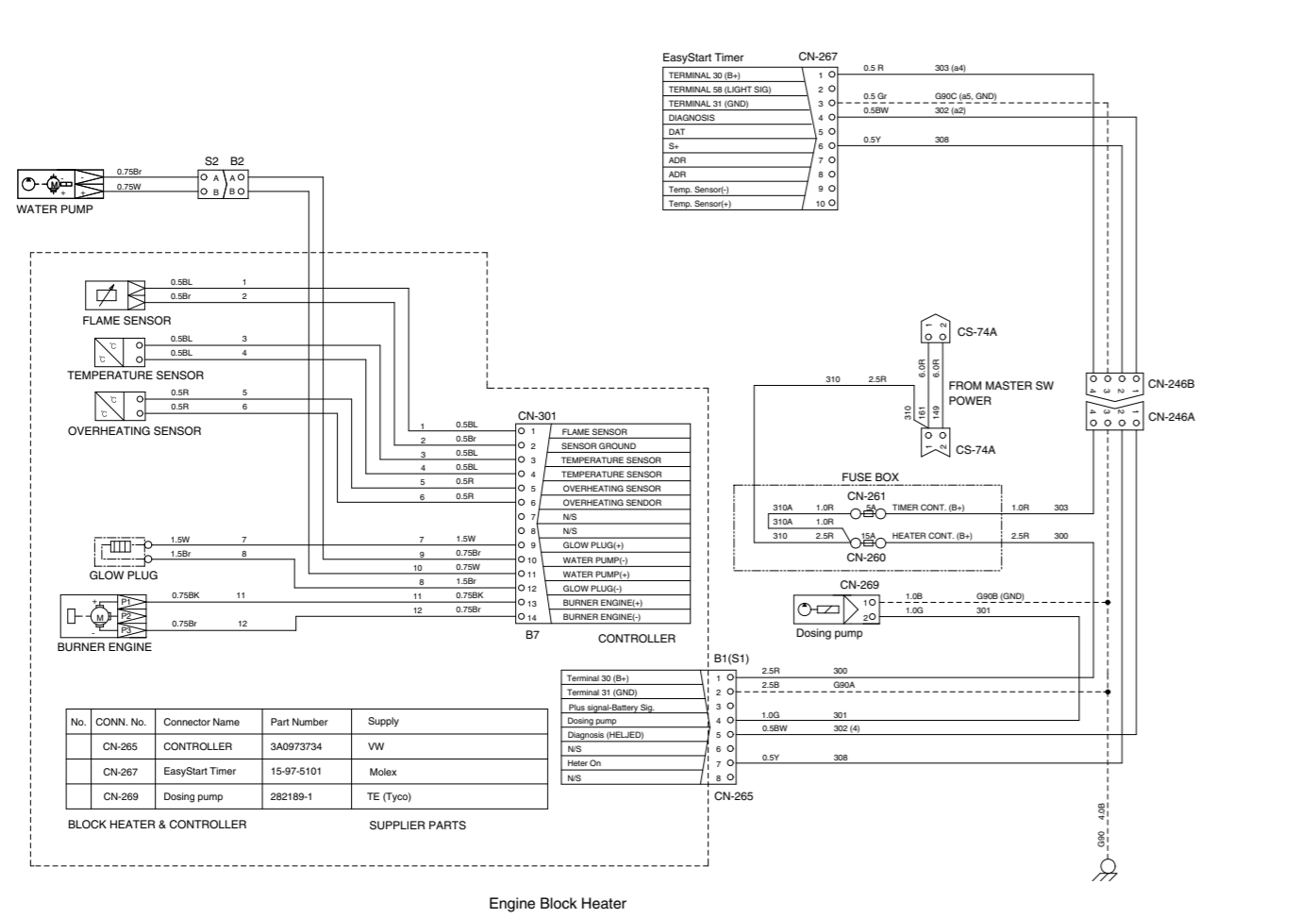
Engine Block Heater

REMOTE PREHEAT

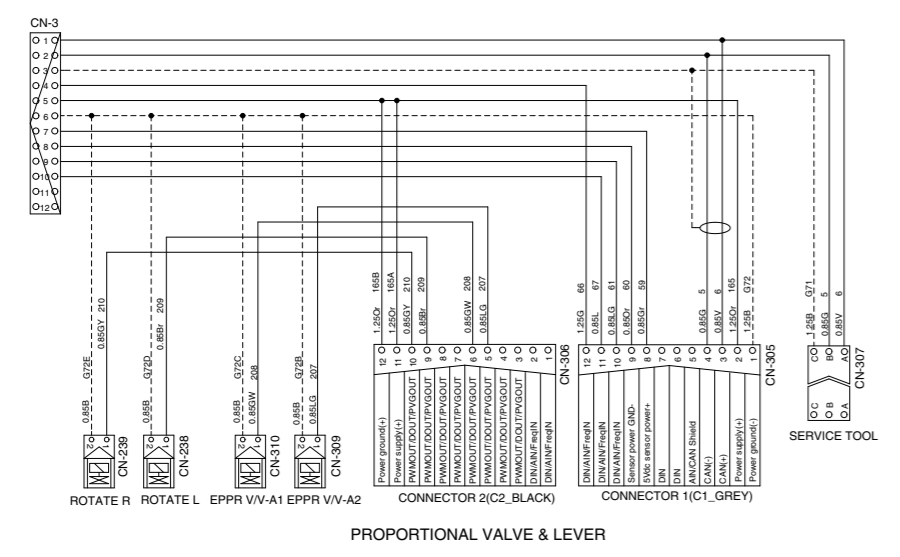
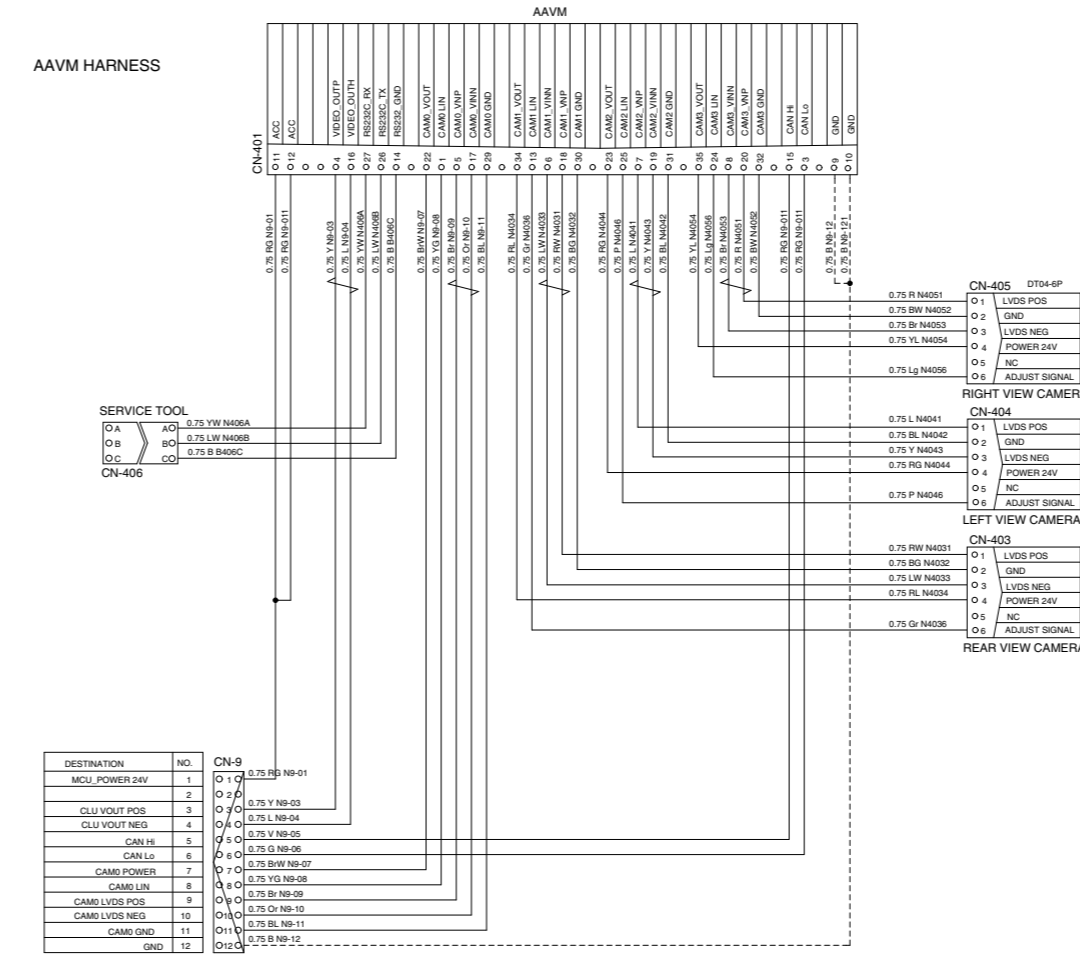
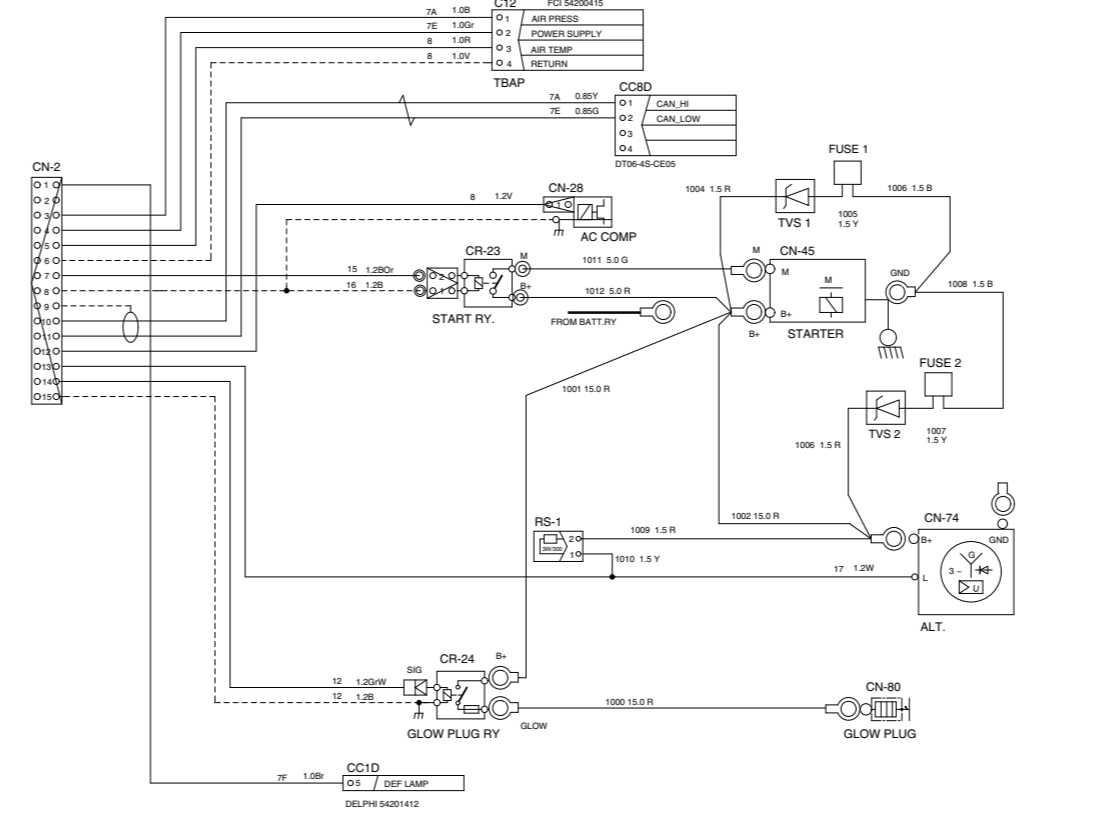


PROPORTIONAL VALVE & LEVER

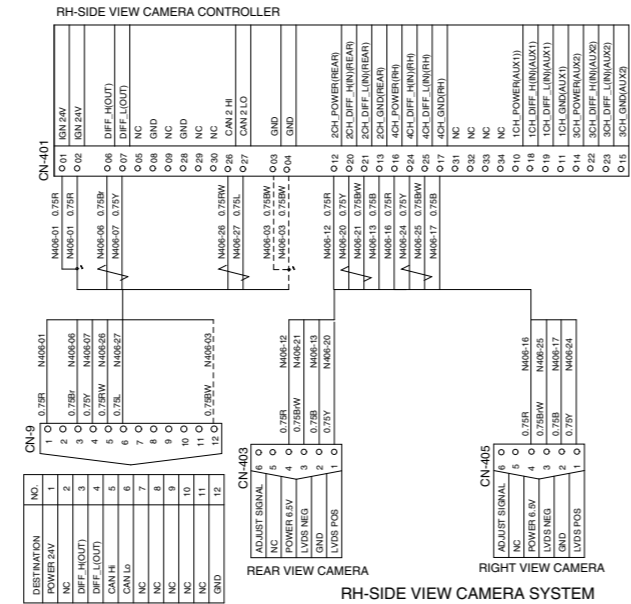




Engine Block Heater



PROPORTIONAL VALVE & LEVER



RH-SIDE VIEW CAMERA SYSTEM

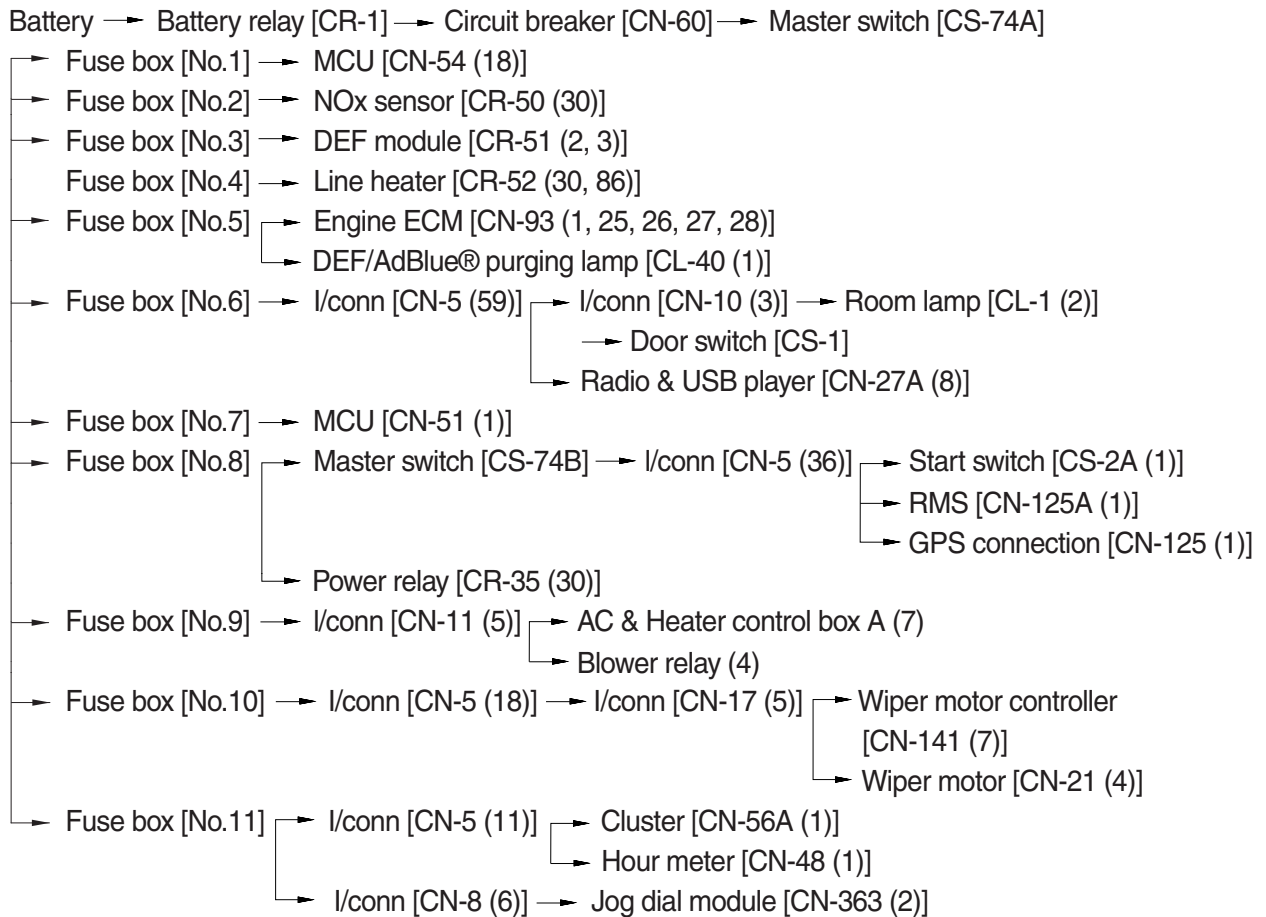
MEMORANDUM

1. POWER CIRCUIT

The negative terminal of battery is grounded to the machine chassis directly.

When the start switch is in the OFF position, the current flows from the positive battery terminal as shown below.

1) OPERATING FLOW



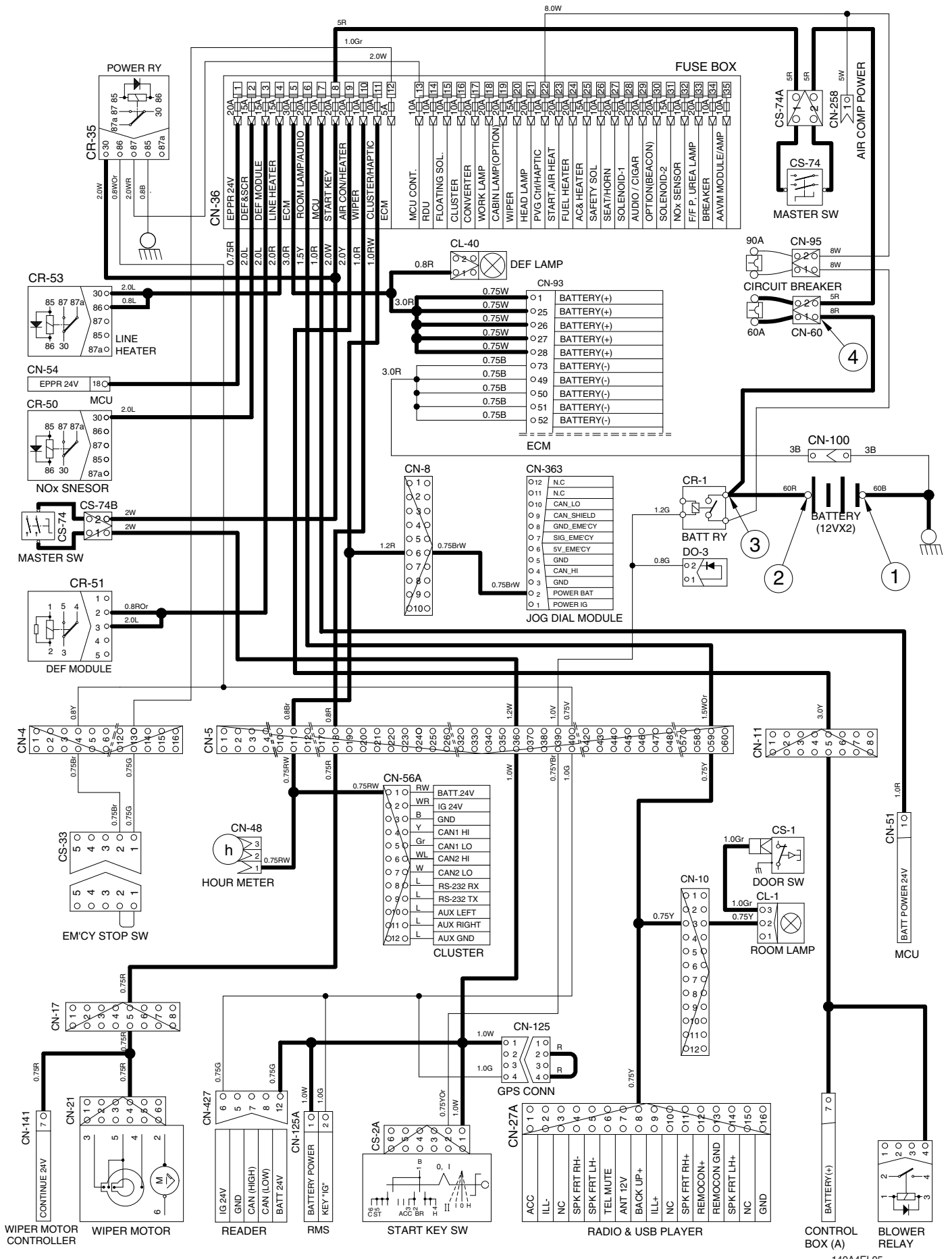
※ I/conn : Intermediate connector

2) CHECK POINT

Engine	Start switch	Check point	Voltage
STOP	OFF	① - GND (battery 1EA)	10~12.5V
		② - GND (battery 2EA)	20~25V
		③ - GND (battery relay)	20~25V
		④ - GND (circuit breaker)	20~25V

※ GND : Ground

POWER CIRCUIT

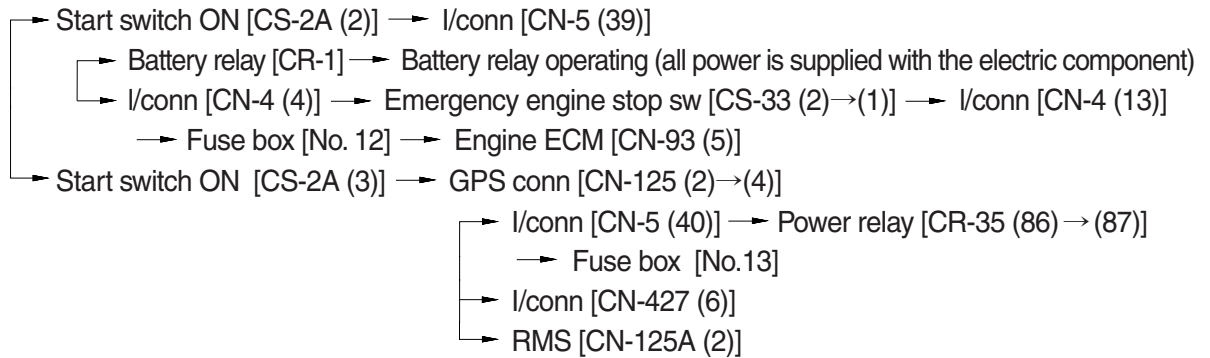


2. STARTING CIRCUIT

1) OPERATING FLOW

Battery (+) terminal → Battery relay [CR-1] → Circuit breaker [CN-60] → Master switch [CS-74A]
 → Fuse box [No.8] → Master switch [CS-74B] → I/conn [CN-5 (36)] → Start switch [CS-2A (1)]

(1) When start key switch is in ON position



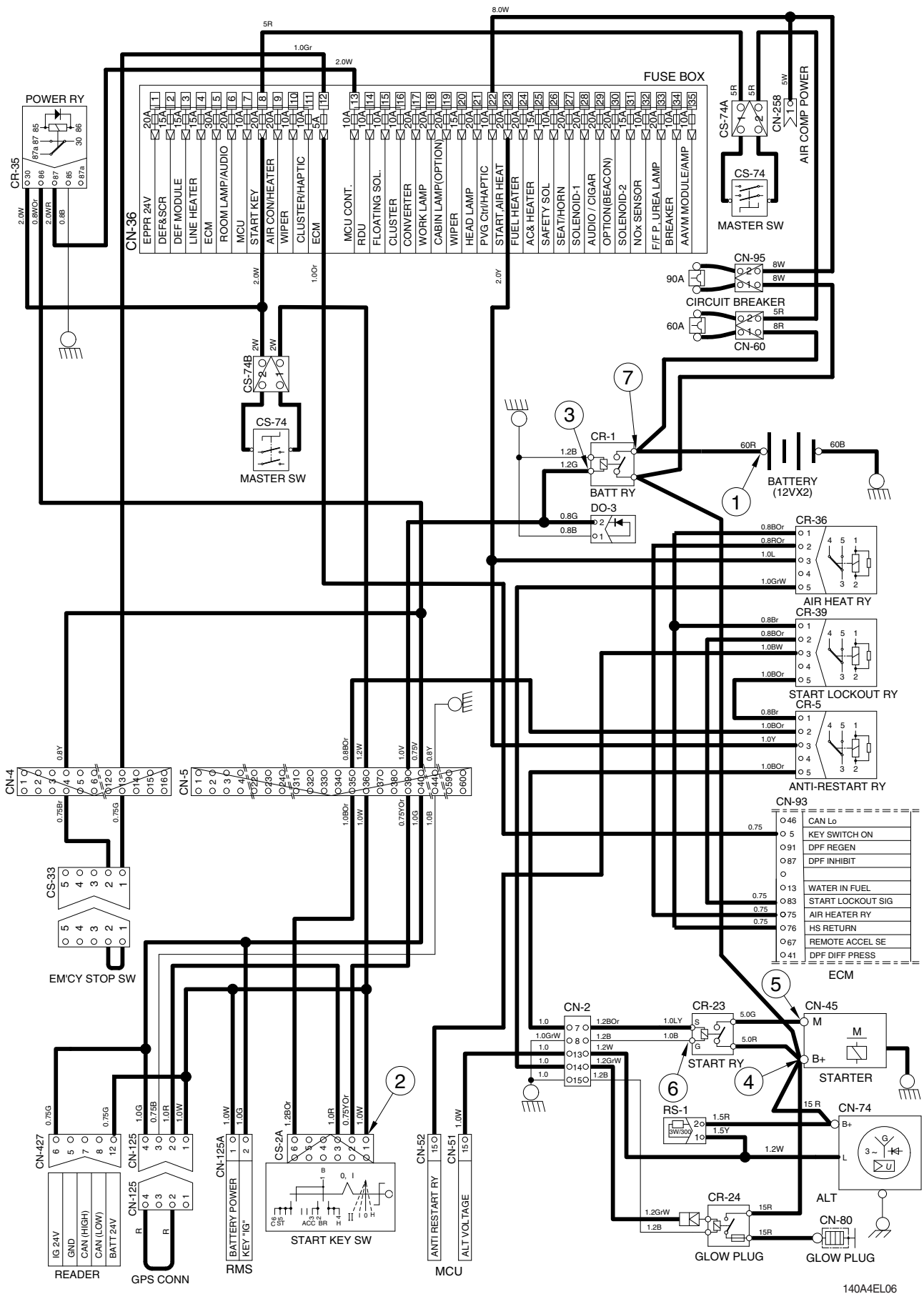
(2) When start key switch is in START position

Start switch START [CS-2A (6)] → I/conn [CN-5 (35)] → Anti-restart relay [CR-5 (2) → (5)]
 → I/conn [CN-2 (7)] → Start relay [CR-23 (S)] → Starter motor operating

2) CHECK POINT

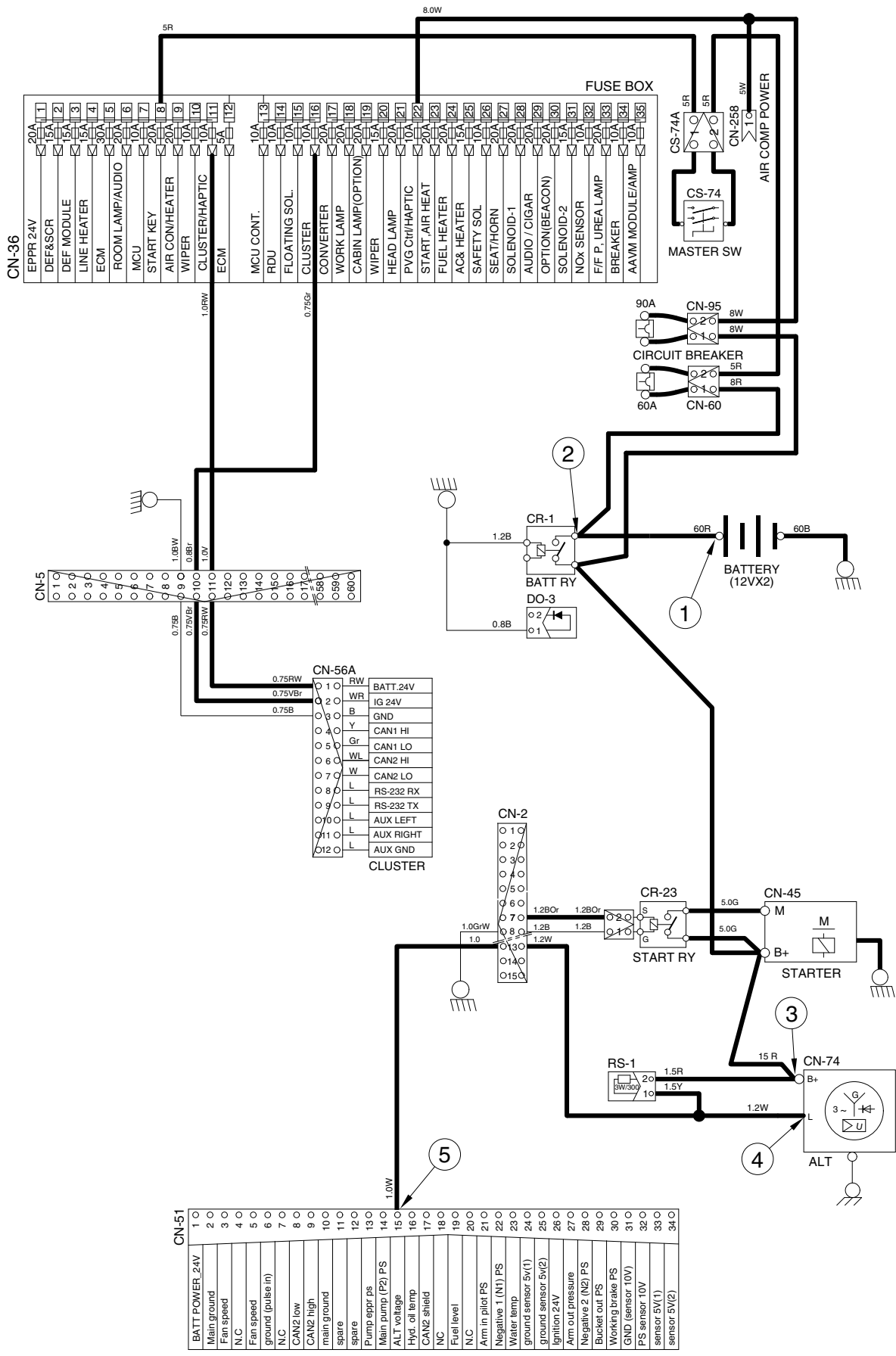
Engine	Start switch	Check point	Voltage
OPERATING	START	① - GND (battery) ② - GND (start key) ③ - GND (battery relay M4) ④ - GND (starter B ⁺) ⑤ - GND (starter M) ⑥ - GND (start relay) ⑦ - GND (battery relay M8)	20~25V

STARTING CIRCUIT



140A4EL06

CHARGING CIRCUIT



4. HEAD AND WORK LIGHT CIRCUIT

1) OPERATING FLOW

Fuse box (No.21) → Head light relay [CR-13 (30, 86)]

Fuse box (No.18) → Work light relay [CR-4 (30, 86)]

Fuse box (No.14) → RDU membrane controller [CN-376 (1)]

(1) Head light switch ON

Head light switch ON [CN-376 (13)] → Head light relay [CR-13 (85) → (87)]

→ Head light ON [CL-3 (2), CL-4 (2), CL-24 (2)]

→ I/conn [CN-7 (1)] → Cigar lighter [CL-2]

→ I/conn [CN-5 (60)] → Radio & USB player illumination ON [CN-27A (9)]

(2) Work light switch ON

Work light switch ON [CN-376 (4)] → Work light relay [CR-4 (85) → (87)]

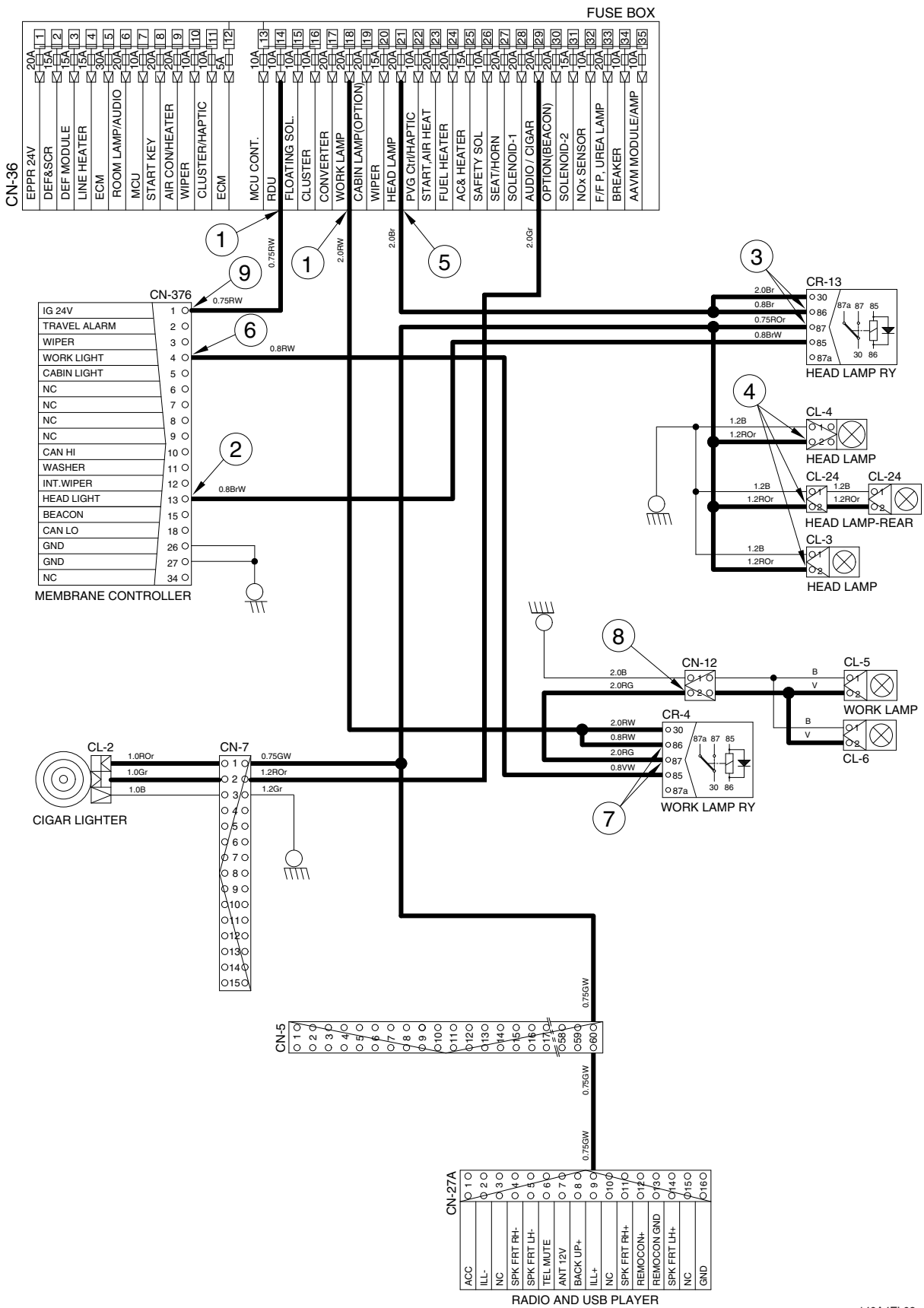
→ I/conn [CN-12 (2)] → Work light ON [CL-5 (2), CL-6 (2)]

2) CHECK POINT

Engine	Start switch	Check point	Voltage
STOP	ON	① - GND (fuse box) ② - GND (head light switch power output) ③ - GND (head light relay) ④ - GND (head light) ⑤ - GND (fuse box) ⑥ - GND (work light switch power output) ⑦ - GND (work light relay) ⑧ - GND (work light) ⑨ - GND (switch power input)	20~25V

※ GND : Ground

HEAD AND WORK LIGHT CIRCUIT



140A4EL08

5. BEACON LAMP AND CAB LIGHT CIRCUIT

1) OPERATING FLOW

Fuse box (No.30) → Beacon lamp relay [CR-85 (2, 3)]

Fuse box (No.19) → Cab light relay [CR-9 (30, 86)]

Fuse box (No.14) → RDU membrane controller [CN-376 (1)]

(1) Beacon lamp switch ON

Beacon lamp switch ON [CN-376 (15)] → Beacon lamp relay [CR-85 (1)→ (5)]

→ I/conn [CN-5 (50)] → I/conn [CN-10 (10)] → Beacon lamp ON [CL-7]

(2) Cab light switch ON

Cab light switch ON [CN-376 (5)] → Cab lamp relay [CR-9 (85)→ (87)]

→ I/conn [CN-5 (34, 38)] → I/conn [CN-10 (11)] → Cab light ON [CL-8 (2)]

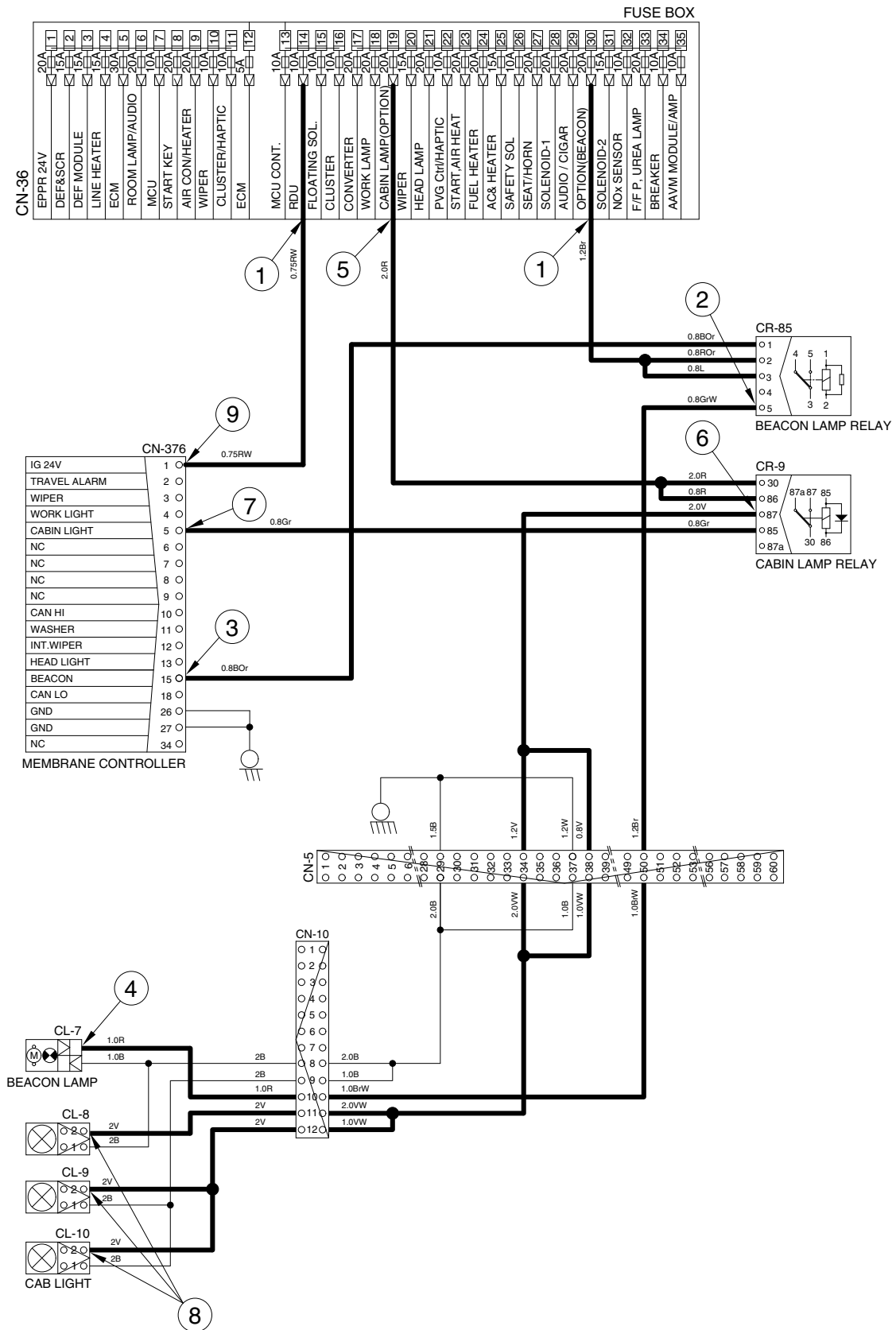
→ I/conn [CN-10 (12)] → Cab light ON [CL-9 (2), CL-10 (2)]

2) CHECK POINT

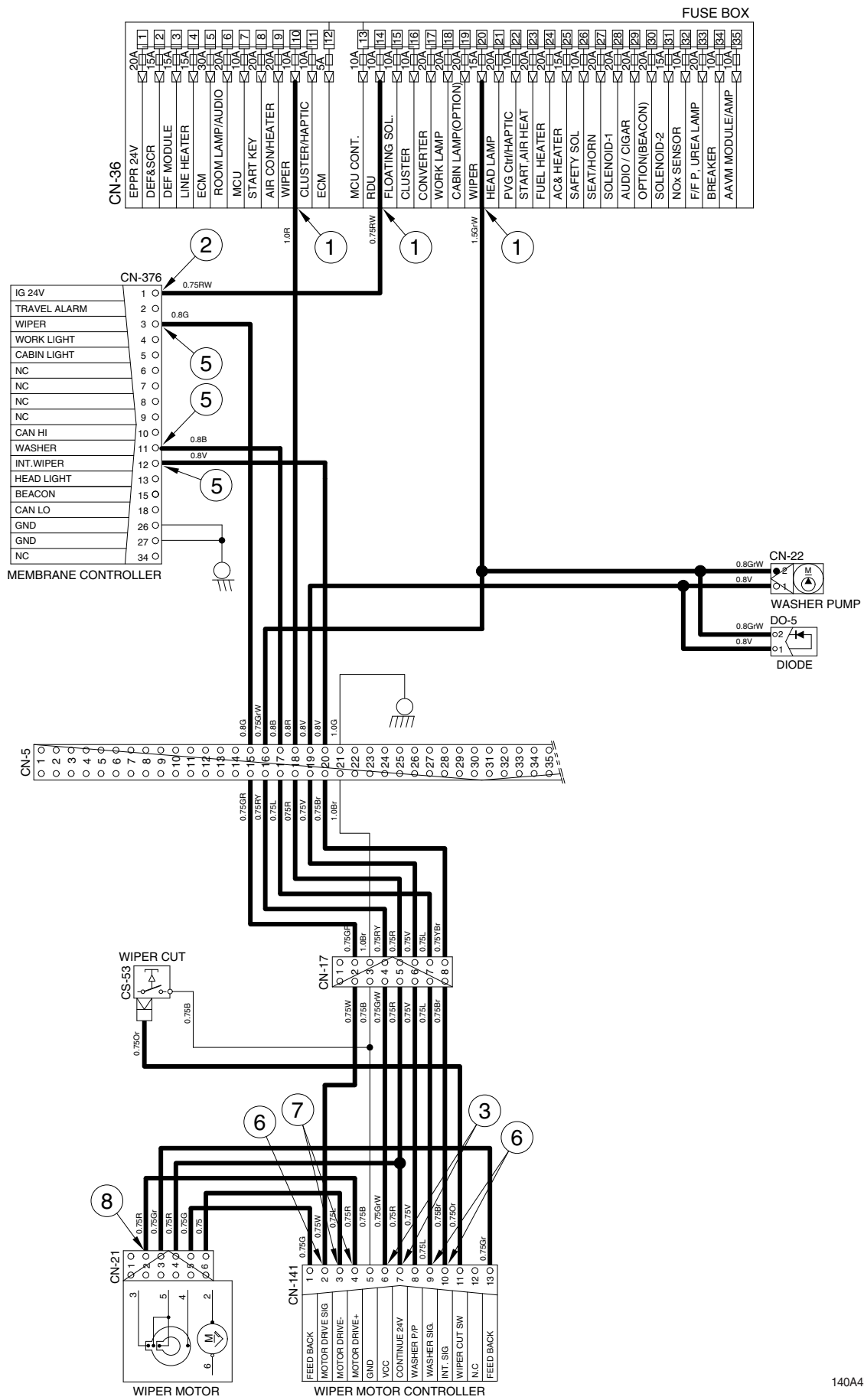
Engine	Start switch	Check point	Voltage
STOP	ON	① - GND (fuse box) ② - GND (beacon lamp relay) ③ - GND (beacon lamp switch power output) ④ - GND (beacon lamp) ⑤ - GND (fuse box) ⑥ - GND (cabin light relay) ⑦ - GND (cab light switch power output) ⑧ - GND (cab light) ⑨ - GND (switch power input)	20~25V

※ GND : Ground

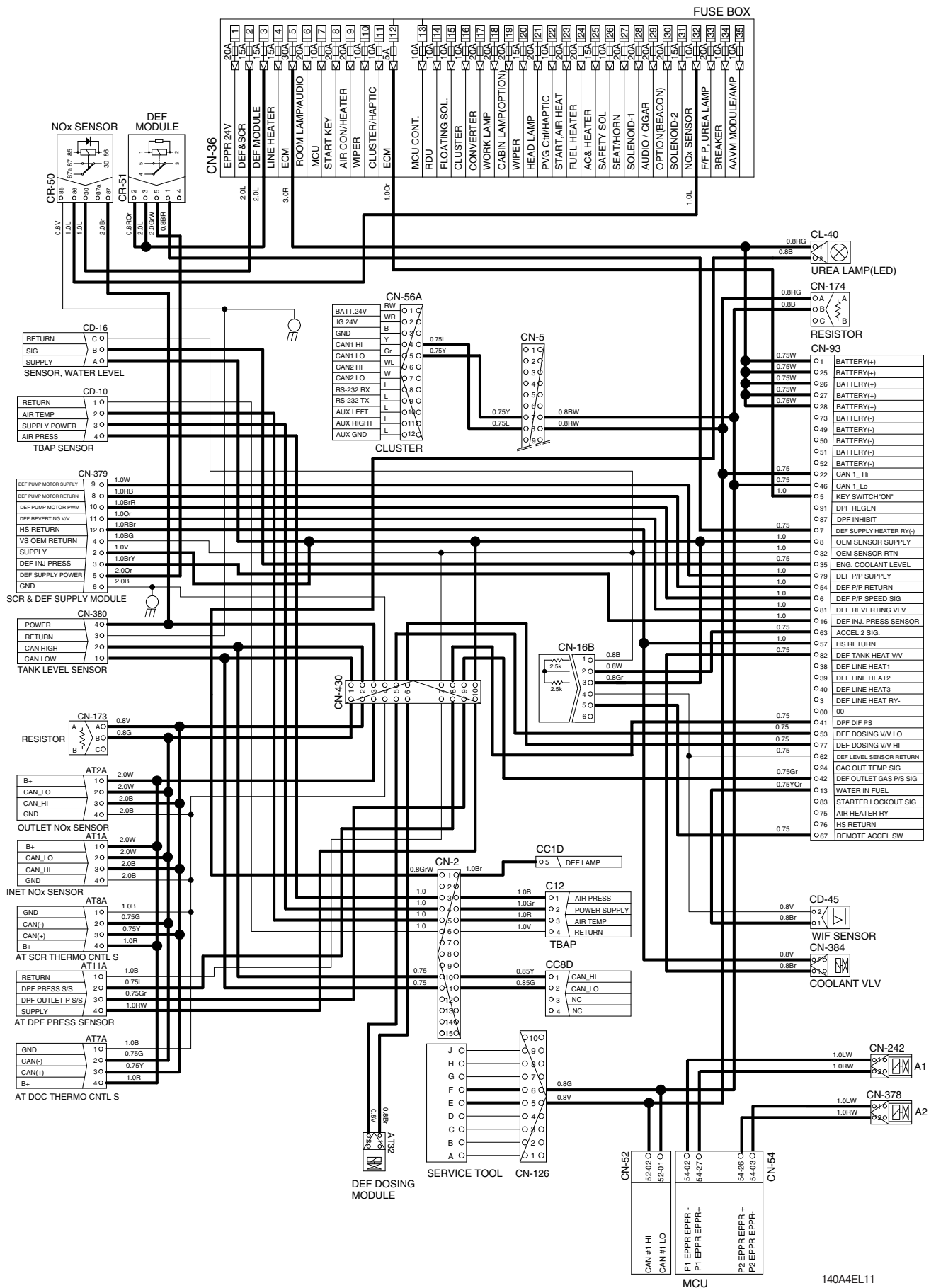
BEACON LAMP AND CAB LIGHT CIRCUIT



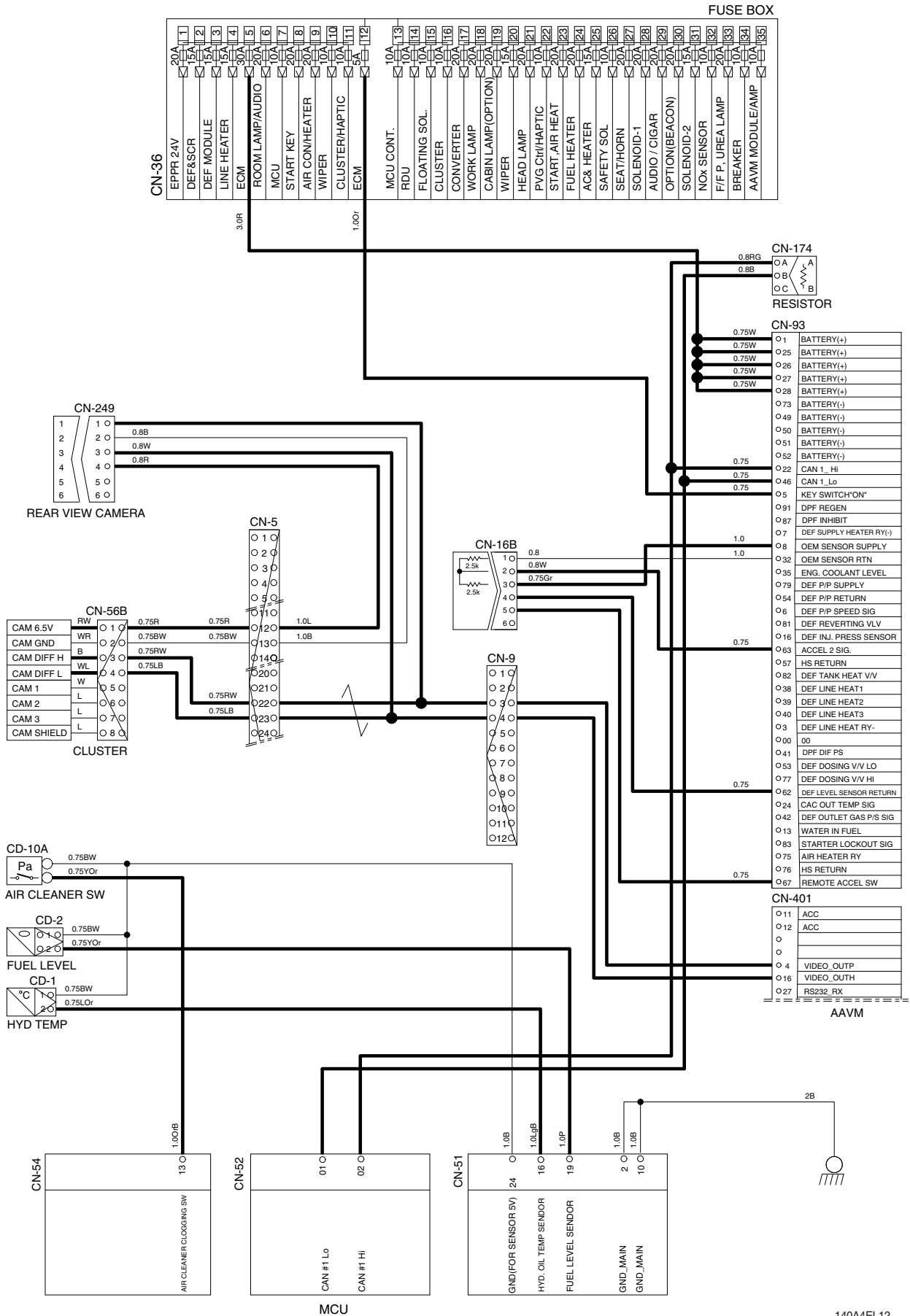
WIPER AND WASHER CIRCUIT



CONTROLLER CIRCUIT

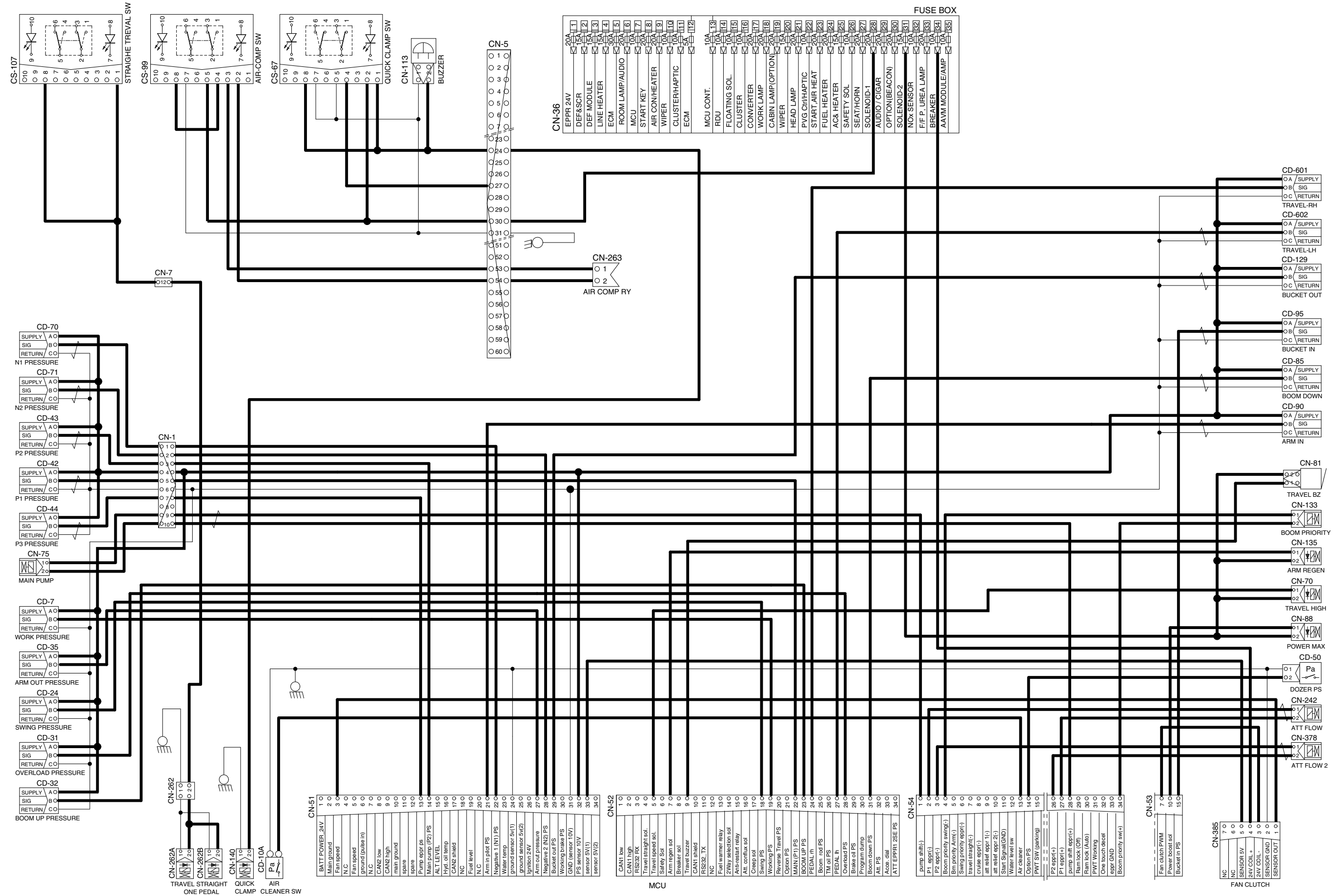


MONITORING CIRCUIT

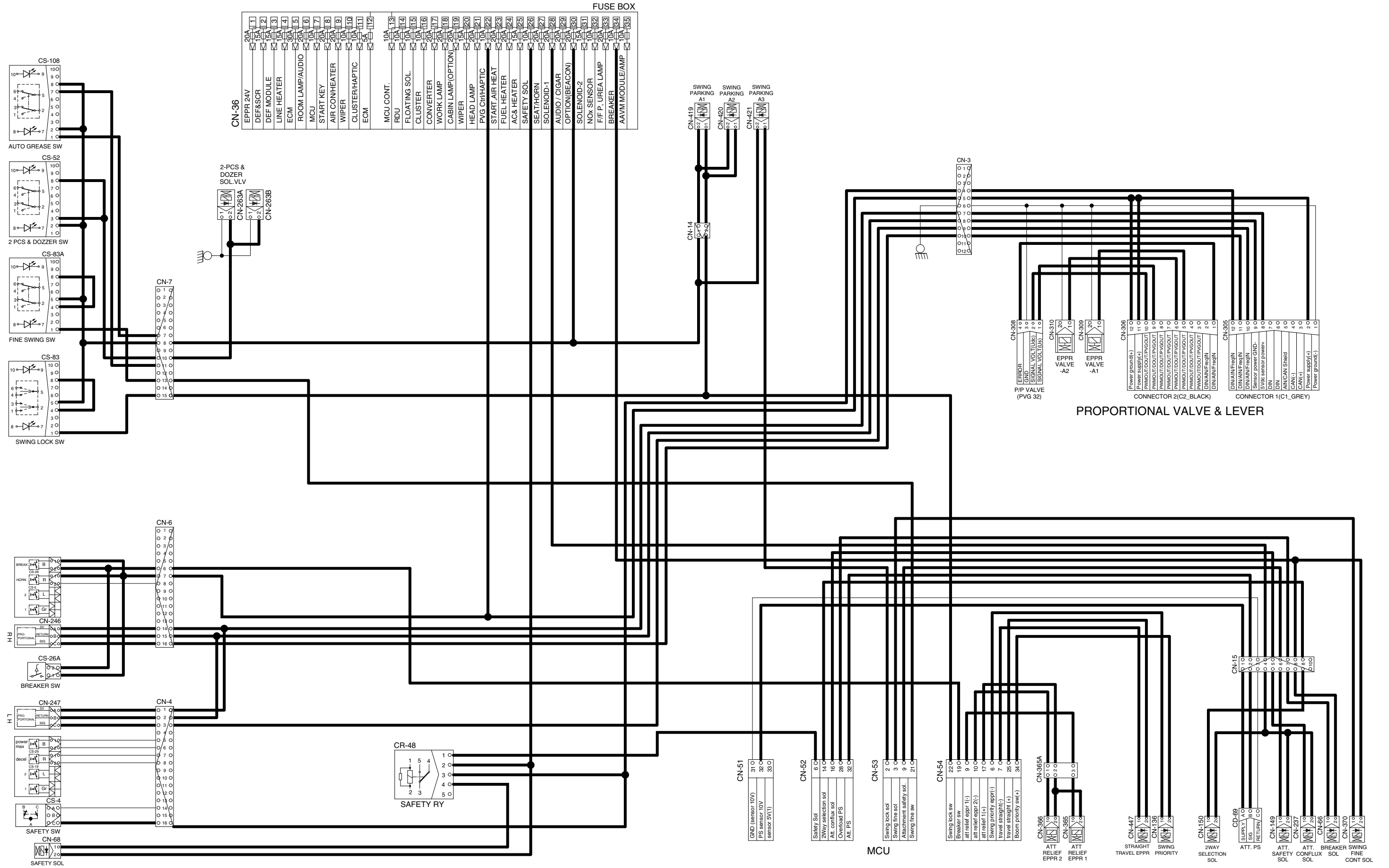


140A4EL12

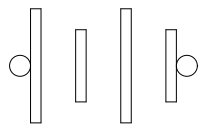
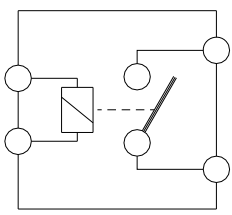
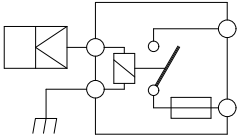
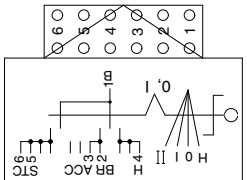
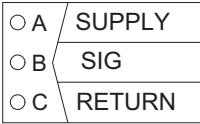
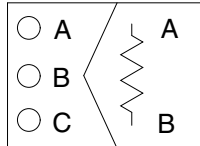
ELECTRIC CIRCUIT FOR HYDRAULIC (1/2)

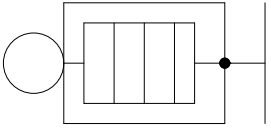
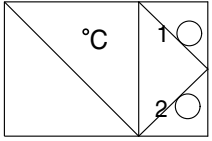
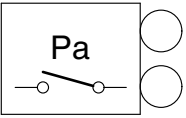
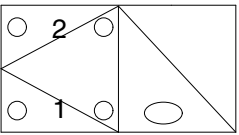
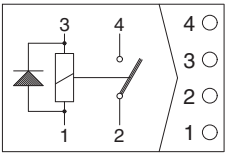
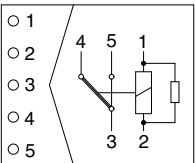


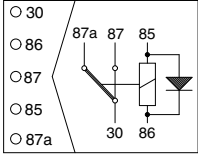
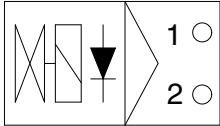

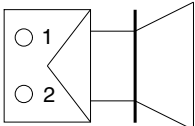
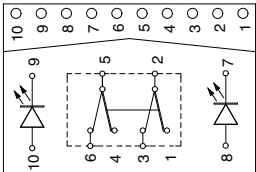
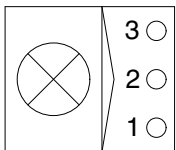
ELECTRIC CIRCUIT FOR HYDRAULIC (2/2)

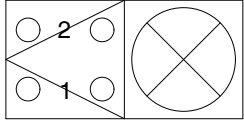
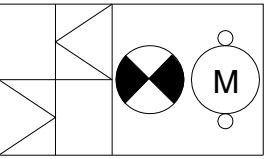
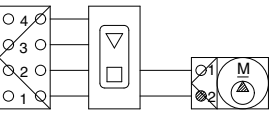
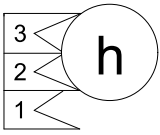
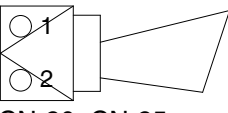
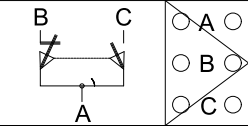


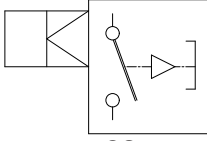
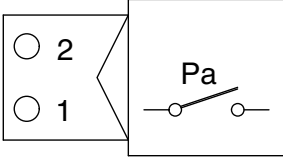
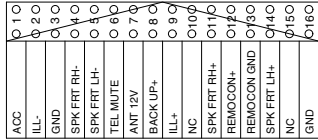
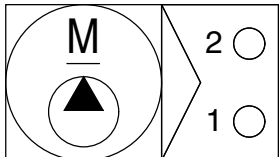
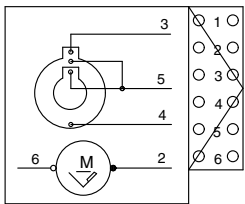
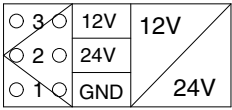
GROUP 3 ELECTRICAL COMPONENT SPECIFICATION

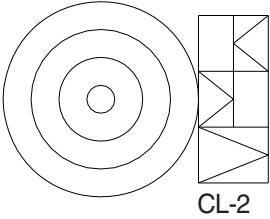
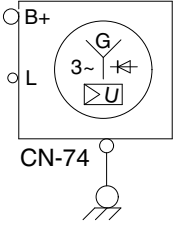
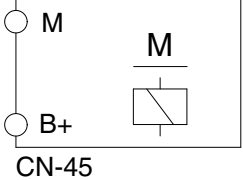
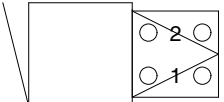
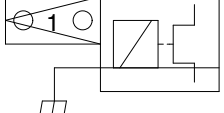
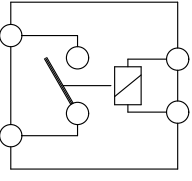
Part name	Symbol	Specifications	Check
Battery		12V × 100Ah (2EA)	※ Check specific gravity 1.280 over : Over charged 1.280 ~ 1.250 : Normal 1.250 below : Recharging
Battery relay	 <p style="text-align: center;">CR-1</p>	Rated load : 24V 100A (continuity) 1000A (30seconds)	※ Check coil resistance(M4 to M4) Normal : About 50Ω ※ Check contact Normal : ∞Ω
Hearter relay	 <p style="text-align: center;">CR-24</p>	24V 200A	※ Check contact Normal : 0.942Ω (for terminal 1-GND)
Start key	 <p style="text-align: center;">CS-2A</p>	B-BR : 24V 1A B-ACC : 24V 10A B-ST : 24V 40A	※ Check contact OFF : ∞Ω (for each terminal) ON : 0Ω (for terminal 1-3 and 1-2) START : 0Ω (for terminal 1-6)
Pressure sensor	 <p style="text-align: center;"> ○ A / SUPPLY ○ B / SIG ○ C / RETURN </p> <p> CD-7 CD-24 CD-31 CD-32 CD-35 CD-42 CD-43 CD-44 CD-69 CD-70 CD-71 CD-85 CD-90 CD-95 CD-129 CD-601 CD-602 </p>	8~30V	※ Check contact Normal : 0.1Ω
Resistor	 <p style="text-align: center;"> ○ A A ○ B B ○ C </p> <p style="text-align: center;">CN-173 CN-174</p>	3W	※ Check resistance A-B : 120Ω

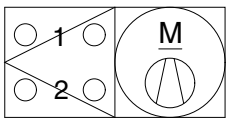
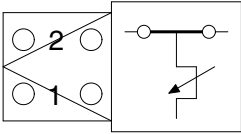
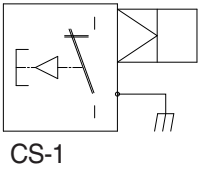
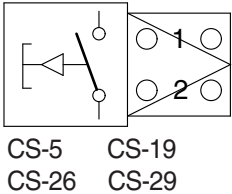
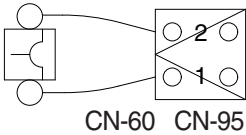
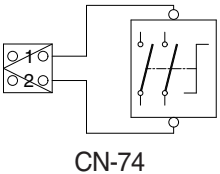
Part name	Symbol	Specifications	Check
Glow plug	 CN-80	24V 200A	※ Check resistance 0.25~0.12Ω
Temperature sensor (hydraulic)	 CD-1	-	※ Check resistance 50°C : 804Ω 80°C : 310Ω 100°C : 180Ω
Air cleaner pressure switch	 CD-10A	N.O TYPE	※ Check contact High level : ∞Ω Low level : 0Ω
Fuel level sender	 CD-2	-	※ Check resistance Full : 50Ω 6/12 : 350Ω 11/12 : 100Ω 5/12 : 400Ω 10/12 : 150Ω 4/12 : 450Ω 9/12 : 200Ω 3/12 : 500Ω 8/12 : 250Ω 2/12 : 550Ω 7/12 : 300Ω 1/12 : 600Ω Empty warning : 700Ω
Relay (air con blower)		24V 20A	※ Check resistance Normal : About 200Ω (for terminal 1-3) ∞Ω (for terminal 2-4)
Relay	 CR-2 CR-5 CR-36 CR-39 CR-48 CR-51 CR-85	24V 16A	※ Check resistance Normal : About 160Ω (for terminal 1-2) 0Ω (for terminal 3-4) ∞Ω (for terminal 3-5)

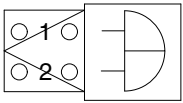
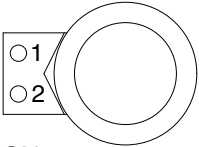
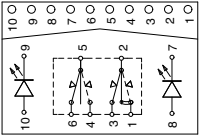
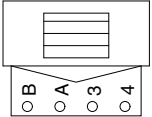
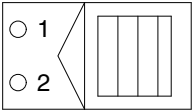
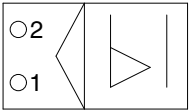
Part name	Symbol	Specifications	Check
Relay	 <p>CR-4 CR-7 CR-9 CR-13 CR-35 CR-46 CR-50 CR-52</p>	24V 16A	※ Check resistance Normal : About 160 Ω (for terminal 85-86) 0 Ω (for terminal 30-87a) ∞ Ω (for terminal 30-87)
Solenoid valve	 <p>CN-66 CN-68 CN-70 CN-88 CN-135 CN-140 CN-149 CN-150 CN-237 CN-262A CN-262B CN-263A CN-263B CN-370 CN-419 CN-420 CN-421</p>	24V 1A	※ Check resistance Normal : 15~25 Ω (for terminal 1-2)
EPPR valve	 <p>CN-75 CN-133 CN-136 CN-242 CN-309 CN-310 CN-365 CN-366 CN-378 CN-447</p>	700mA	※ Check resistance Normal : 15~25 Ω (for terminal 1-2)
Speaker	 <p>CN-23(LH) CN-24(RH)</p>	20W	※ Check resistance Normal : A few Ω
Switch (locking type)	 <p>CS-52 CS-67 CS-83 CS-83A CS-99 CS-107 CS-108 CS-111</p>	24V 1.5A	※ Check contact Normal OFF : ∞ Ω (for terminal 2-3, 5-6) 0 Ω (for terminal 2-1, 5-4)
Room lamp	 <p>CL-1</p>	24V 10W	※ Check disconnection Normal : 1.0 Ω OFF : ∞ Ω (For terminal 1-2) 0 Ω (For terminal 1-3)

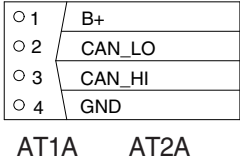
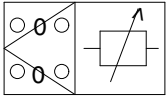
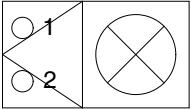
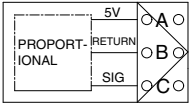
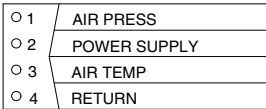
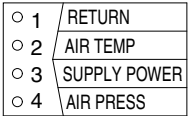
Part name	Symbol	Specifications	Check
Head lamp, Work lamp, Cab lamp	 <p>CL-3 CL-4 CL-5 CL-6 CL-8 CL-9 CL-10 CL-24</p>	24V 65W (H3 Type)	※ Check disconnection Normal : 1.2Ω
Beacon lamp	 <p>CL-7</p>	21V 70W (H1 Type)	※ Check disconnection Normal : A few Ω
Fuel filler pump	 <p>CN-61</p>	24V 10A 35 l /min	※ Check resistance Normal : 1.0Ω
Hour meter	 <p>CN-48</p>	16~32V	※ Check operation Supply power (24V) to terminal No.1 and connect terminal No.2 and ground
Horn	 <p>CN-20 CN-25</p>	DC22~28V 2A	※ Check operation Supply power (24V) to each terminal and connect ground.
Safety switch	 <p>CS-4</p>	24V 15A (N.C TYPE)	※ Check contact Normal : 0Ω (for terminal A-B) ∞Ω (for terminal A-C) Operating : ∞Ω (for terminal A-B) 0Ω (for terminal A-C)

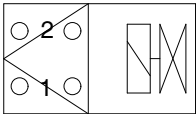
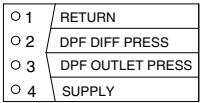
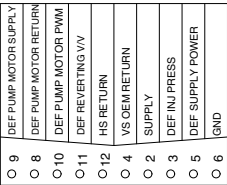
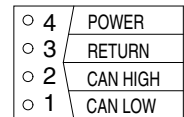
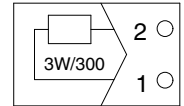

Part name	Symbol	Specifications	Check
Wiper cut switch	 <p>CS-53</p>	24V (N.O TYPE)	※ Check contact Normal : 0Ω (one pin to ground)
Receiver dryer	 <p>CN-29</p>	24V 2.5A	※ Check contact Normal : ∞Ω
Radio & USB player	 <p>CN-27A</p>	24V 2A	※ Check voltage 20~25V (for terminal 1-3, 3-8)
Washer pump	 <p>CN-22</p>	24V 3.8A	※ Check contact Normal : 10.7Ω (for terminal 1-2)
Wiper motor	 <p>CN-21</p>	24V 2A	※ Check disconnection Normal : 7Ω (for terminal 2-6)
DC/DC Converter	 <p>CN-138</p>	12V 3A	※ Check voltage 24V (for terminal 1-2) 12V (for terminal 1-3)

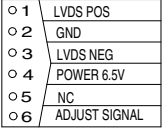
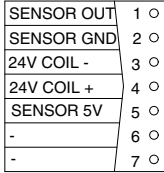
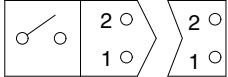
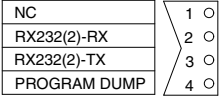
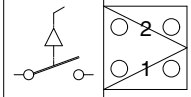
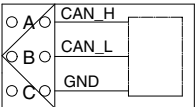
Part name	Symbol	Specifications	Check
Cigar lighter	 <p>CL-2</p>	24V 5A 1.4W	※ Check coil resistance Normal : About 1MΩ ※ Check contact Normal : ∞Ω Operating time : 5~15sec
Alternator	 <p>CN-74</p>	24V 70A	※ Check contact Normal : 0Ω (for terminal B ⁺ -L) Normal : 24~27.5V
Starter	 <p>CN-45</p>	24V 4.8kW	※ Check contact Normal : 0.1Ω
Travel alarm	 <p>CN-81</p>	24V 0.5A	※ Check contact Normal : 5.2Ω
Air conditioner compressor	 <p>CN-28</p>	24V 79W	※ Check contact Normal : 13.4Ω
Start relay	 <p>CR-23</p>	24V 300A	※ Check contact Normal : 0.94Ω (for terminal 1-2)

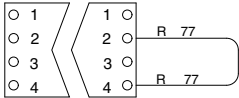
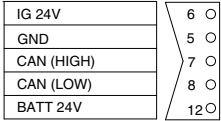
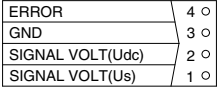
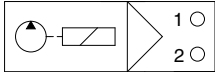
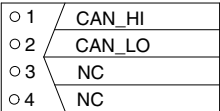
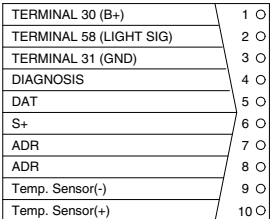
Part name	Symbol	Specifications	Check
Blower motor		24V 9.5A	※ Check resistance Normal : 2.5Ω (for terminal 1-2)
Thermistor (switch)		1°C OFF 4°C ON	※ Check resistance Normal : 0Ω (for terminal 1-2), the atmosphere temp : Over 4°C
Door switch		24V 2W	※ Check resistance Normal : About 5MΩ
Switch (power max, one touch decel, horn, breaker)		24V 6A	※ Check resistance Normal : ∞Ω
Circuit breaker		CN-60 : 60A CN-95 : 90A	※ Check disconnection Normal : 0Ω (connect ring terminal and check resist between terminal 1 and 2)
Master switch		6-36V	※ Check disconnection Normal : 0.1Ω

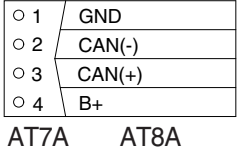
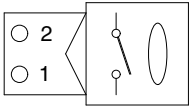
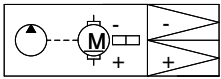
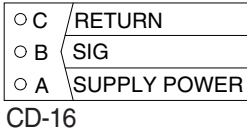
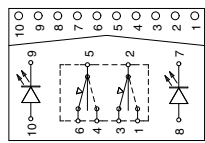
Part name	Symbol	Specifications	Check
Quick clamp buzzer	 <p>CN-113</p>	24V 200mA 107±4dB	-
Socket	 <p>CN-139</p>	12V 10A	-
Switch	 <p>CS-79</p>	24V 8A	※ Check contact Normal OFF : ∞Ω (for terminal 2-3, 5-6) 0Ω (for terminal 2-1, 5-4)
Fuel heater	 <p>CN-96</p>	-	-
DEF/AdBlue® line heater	 <p>CN-381 CN-382 CN-383</p>	-	-
WIF sensor	 <p>CD-45</p>	-	-

Part name	Symbol	Specifications	Check
NOx sensor		-	-
Temperature sensor (A/C)		-	-
DEF/AdBlue® lamp (LED)		-	-
Proportional valve sensor		-	-
TBAP		-	-
TBAP sensor		-	-

Part name	Symbol	Specifications	Check
Coolant valve	 <p>CN-384 AT32A</p>	-	
DPF pressure sensor	 <p>AT11A</p>	-	
SCR and DEF supply module	 <p>CN-379</p>	-	
Tank level sensor	 <p>CN-380</p>	-	
Resistor	 <p>RS-1</p>	3W	※ Check resistance Normal : 300Ω
DEF lamp connector	 <p>CC1D</p>	-	

Part name	Symbol	Specifications	Check
Camera (rear, side)	 <p>CN-402 CN-403 CN-404 CN-405</p>	-	
Fan clutch	 <p>CN-385</p>	-	
Seat belt sw	 <p>CS-250</p>	-	
RMS service tool	 <p>CN-126A</p>	-	
Breaker switch	 <p>CS-26A</p>	-	
Start button	 <p>CS-2B</p>	-	

Part name	Symbol	Specifications	Check
GPS connector	 <p>CN-125</p>	-	
Reader	 <p>CN-427</p>	-	
Proportional valve	 <p>CN-308</p>	-	
Dosing pump	 <p>CN-269</p>	-	
Engine side cross over connector	 <p>CC8D</p>	-	
Easystart timer	 <p>CN-267</p>	-	

Part name	Symbol	Specifications	Check
Exhaust gas temp sensor		-	
Float switch	 <p>CS-61</p>	-	
Water pump		-	
Water level sensor	 <p>CD-16</p>	-	
Switch	 <p>CS-100</p>	24V 8A	<p>※ Check contact Normal OFF : $\infty \Omega$ (for terminal 2-3, 5-6) 0 Ω (for terminal 2-1, 5-4)</p>

GROUP 4 CONNECTORS

1. CONNECTOR DESTINATION

Connector number	Type	No. of pin	Destination	Connector part No.	
				Female	Male
CN-1	TYCO	10	I/conn (Frame harness-Engine harness)	174655-2	174657-2
CN-2	AMP	15	I/conn (Frame harness-Engine harness)	2-85262-1	368301-1
CN-3A	TYCO	12	I/conn (Frame harness-Pro vlv harness)	174661-2	368537-1
CN-4	AMP	16	I/conn (Console harness LH-Frame harness)	368047-1	368050-1
CN-5	DEUTSCH	60	I/conn (Side harness RH-Frame harness)	DRB16-60SAE-L018	DRB14-60PAE-L018
CN-6	AMP	16	I/conn (Console harness RH-Frame harness)	368047-1	368050-1
CN-7	AMP	15	I/conn (Console harness RH-Frame harness)	2-85262-1	368301-1
CN-8	AMP	10	I/conn (Console harness RH-Frame harness)	S816-010002	174657-2
CN-9	DEUTSCH	12	I/conn (Frame harness- AAVM harness)	DT06-12SA-EP06	DT04-12PA-P021
CN-10	DEUTSCH	12	I/conn (Cab harness-Side harness RH)	DT06-12S-EP06	DT04-12PA-P021
CN-11	DEUTSCH	8	I/conn (Frame harness-Aircon harness)	DT06-8S-EP06	-
CN-12	DEUTSCH	2	I/conn (Frame harness-Boom wire harness)	DT06-2S-EP06	DT04-2P-E005
CN-14	DEUTSCH	2	I/conn (Frame harness-Swing parking harness)	DT06-2S-EP06	DT04-2S-E005
CN-15	AMP	10	I/conn (Frame harness-Breaker sol)	174655-2	174657-2
CN-16	AMP	6	Emergency engine start & speed control	S816-006002	S816-106002
CN-16B	AMP	6	Emergency engine start & speed control	S816-006002	-
CN-17	AMP	8	I/conn (Side harness RH-Wiper harness)	S816-008002	S816-108202
CN-20	DEUTSCH	2	Horn	DT06-2S-EP06	-
CN-21	AMP	6	Wiper motor	S810-006202	-
CN-22	KET	2	Washer tank	MG640605	-
CN-23	KET	2	Speaker-LH	MG610032	-
CN-24	KET	2	Speaker-RH	MG610070	-
CN-25	DEUTSCH	2	Horn	DT06-2S-EP06	-
CN-27A	KUM	16	Radio & USB player	PK145-16017	-
CN-27B	AMP	8	Radio & USB player	-	174984-2
CN-28	-	1	Aircon compressor	NMWP01F-B	-
CN-29	KET	2	Receiver dryer	MG640795	-
CN-36	-	-	Fuse & relay box	21Q7-10910	-
CN-45B+	RING-TERM	-	Starter motor B+	S820-410001	-
CN-45M	RING-TERM	-	Starter motor M	ST710246-2	-
CN-48	KET	1	Hour meter	2-520193-2	-
CN-51	TE	34	MCU	2-1473285-3	-
CN-52	TE	34	MCU	4-1437290-1	-
CN-53	TE	26	MCU	1473416-1	-
CN-54	TE	34	MCU	4-1437290-0	-
CN-56A	AMP	12	Cluster	-	174663-2
CN-56B	AMP	8	Cluster	-	174984-2

Connector number	Type	No. of pin	Destination	Connector part No.	
				Female	Male
CN-60	KET	2	Circuit breaker	-	MG620558
CN-61	DEUTSCH	4	Fuel filler pump	DT06-4S-EP06	DT04-4P
CN-66	DEUTSCH	2	Breaker (A2)	DT06-2S-EP06	-
CN-68	DEUTSCH	2	Safety solenoid (A1)	DT06-2S-EP06	-
CN-70	DEUTSCH	2	Travel high solenoid (A3)	DT06-2S-EP06	-
CN-74B+	RING-TERM	1	Alternator "B+" terminal	S820-108001	-
CN-74L	RING-TERM	1	Alternator "L" terminal	S820-105000	-
CN-75	AMP	1	Pump EPPR solenoid	S816-002002	-
CN-80	RING-TERM	-	Glow plug	S820-406001	-
CN-81	DEUTSCH	2	Travel buzzer solenoid	DT06-2S-EP06	DT04-2P-E005
CN-88	DEUTSCH	2	Power max solenoid (A2)	DT06-2S-EP06	-
CN-93	DELPHI	-	ECM	13964572	-
CN-95	KET	2	Circuit breaker	-	MG620558
CN-96	DELPHI	4	l/conn (Frame harness - Fuel warmer harness)	15300027	2-967402-2
CN-100	KET	1	ECM ground	MG640944-5	-
CN-113	KET	2	Buzzer	MG651205-5	-
CN-125	Econoseal J	4	RMS connector	S816-004002	S816-104002
CN-125A	DEUTSCH	12	RMS	DT06-12S-P021	DT04-12PA-P021
CN-125B	DEUTSCH	8	RMS	DT06-8S	DT04-8P
CN-126	TE/AMP	10	Service tool	174655-2	S816-110002
CN-126A	DEUTSCH	4	RMS Service tool	DT06-4S	DT06-4P
CN-133	DEUTSCH	2	Boom priority solenoid (A5)	DT06-2S-EP06	-
CN-135	DEUTSCH	2	Arm regeneration solenoid (A4)	DT06-2S-EP06	-
CN-136	DEUTSCH	2	Swing priority solenoid (A1)	DT06-2S-EP06	-
CN-138	FASTEN	3	DC/DC Converter	S810-003202	-
CN-139	FASTEN	2	12V socket	172434-2	-
CN-140	DEUTSCH	2	Quick clamp solenoid	DT06-2S-EP06	DT04-2P-E005
CN-141	AMP	13	Wiper motor controller	172498-1	-
CN-149	DEUTSCH	2	Attach safety sol	DT06-2S-EP06	-
CN-150	DEUTSCH	2	2 way selection sol	DT06-2S-EP06	-
CN-156	DEUTSCH	2	Air seat	DT06-2S	DT04-2P
CN-157	AMP	1	Antena power	S822-014002	-
CN-173	DEUTSCH	3	Resistor	DT06-3S-EP06	DT04-3P-EP10
CN-174	DEUTSCH	3	Resistor	DT06-3S-EP06	DT04-3P-EP10
CN-237	DEUTSCH	2	Attachment conflux (A3)	DT06-2S-EP06	-
CN-242	DEUTSCH	2	P1 EPPR solenoid (A1)	DT06-2S-EP06	-
CN-246	DEUTSCH	3	Proportional valve-RH	DT06-3S	DT04-3P
CN-246A	DEUTSCH	4	Preheater harness-timer	DT06-4S-EP06	-
CN-246B	DEUTSCH	4	Preheater harness-timer	-	DT04-4P-EP05

Connector number	Type	No. of pin	Destination	Connector part No.	
				Female	Male
CN-247	DEUTSCH	3	Proportional valve-LH	DT06-3S	DT04-3P
CN-249	DEUTSCH	6	Rear view camera	DT06-6S-EP06	DT04-6P-E005
CN-258	KET	1	Air compressor (power)	MG640944-5	-
CN-260	MTA	2	Preheater harness-fuse 15A	03 01305	-
CN-260	AMP	2	Siren speaker	174352-4	S816-102002
CN-261	MTA	2	Preheater harness-fuse 5A	03 01305	-
CN-261	KET	4	Siren amp	MG610047	-
CN-262	DEUTSCH	2	l/conn (Frame harness - S/travel harness)	DT06-2S-EP06	DT04-2P-E005
CN-262A	DEUTSCH	2	Straight travel solenoid 1	DT06-2S-EP06	-
CN-262B	DEUTSCH	2	Straight travel solenoid 2	DT06-2S-EP06	-
CN-263	DEUTSCH	2	Air compressor (relay)	DT06-2S-EP06	DT04-2P-E005
CN-263A	DEUTSCH	2	2 PCS & dozer solenoid	DT06-2S-EP06	DT04-2P-E005
CN-263B	DEUTSCH	2	2 PCS & dozer solenoid	DT06-2S-EP06	DT04-2P-E005
CN-265	FCI	8	Controller	22.1000.30.10	-
CN-267	MOLEX	10	Easy start timer	15-97-5101	-
CN-269	TE	2	Dosing pump	963040-3	-
CN-305	DEUTSCH	12	Proportional-connector 1	DTM06-12SA	-
CN-306	DEUTSCH	12	Proportional-connector 2	DTM06-12SB	-
CN-307	DEUTSCH	3	Proportional-service tool	DT06-3S-EP06	DT06-3P-E005
CN-308	DEUTSCH	2	Proportional-rotate L (A)	DT06-2S-EP06	DT04-2P
CN-308A	DEUTSCH	2	Proportional-rotate R (B)	DT06-2S-EP06	DT04-2P
CN-309	DEUTSCH	2	Proportional-EPPR valve-A2	DT06-2S-EP06	-
CN-310	DEUTSCH	2	Proportional-EPPR valve-A1	DT06-2S-EP06	-
CN-363	AMP	12	Jog dial module	174045-2	-
CN-365	DEUTSCH	2	Attach EPPR valve-1	DT06-2S-EP06	-
CN-365A	DEUTSCH	3	Attach relief EPPR	DT06-3S-EP06	DT04-3P
CN-366	DEUTSCH	2	Attach EPPR valve-2	DT06-2S-EP06	-
CN-370	DEUTSCH	2	Swing fine control solenoid	DT06-2S-EP06	DT04-2P-E005
CN-376	AMP	34	Membrane controller	4-1437290-1	-
CN-378	DEUTSCH	2	P2 EPPR solenoid (A2)	DT06-2S-EP06	-
CN-379	-	12	SCR Supply module	2-1703639-1	-
CN-380	DEUTSCH	4	DEF tank level sensor	DT06-4S-EP06	-
CN-381	DEUTSCH	2	DEF line heater 1	DT06-2S-EP06	-
CN-382	DEUTSCH	2	DEF line heater 2	DT06-2S-EP06	-
CN-383	DEUTSCH	2	DEF line heater 3	DT06-2S-EP06	-
CN-384	-	2	Coolant valve	1-967325-3	-
CN-385	-	7	Fan clutch	965570	-
CN-401	TYCO	34	AAVM controller	4-1437290-0	-
CN-402	DEUTSCH	6	Front view camera	DT06-6S-P021	DT04-6P-P021

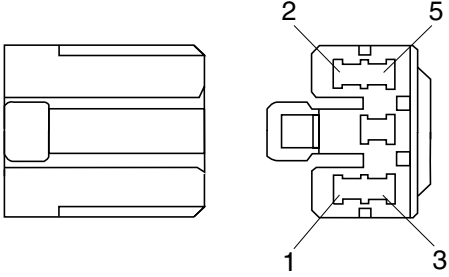
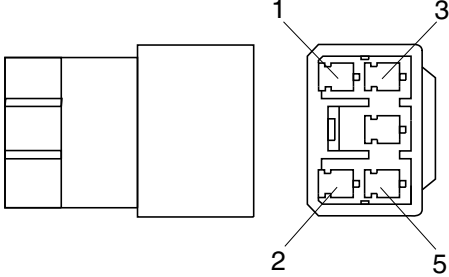
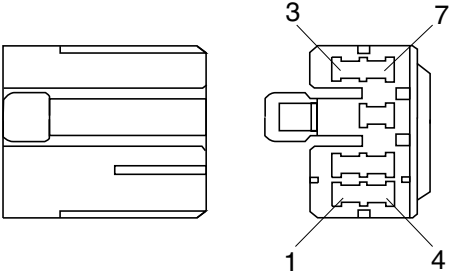
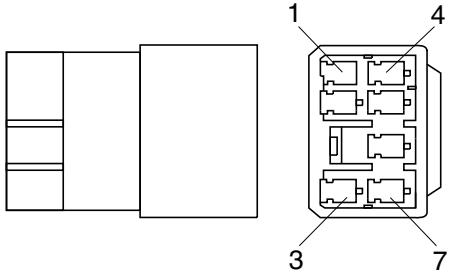
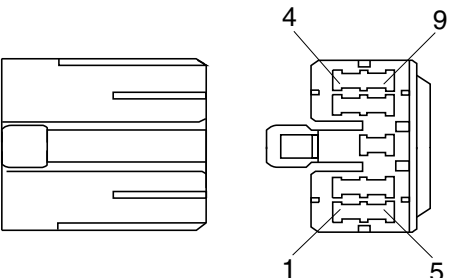
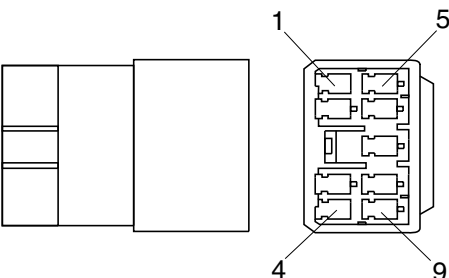
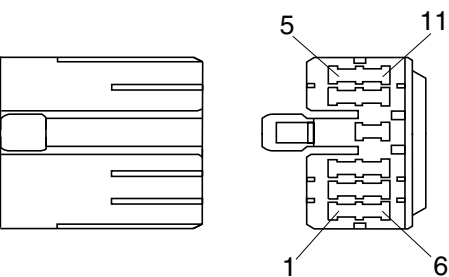
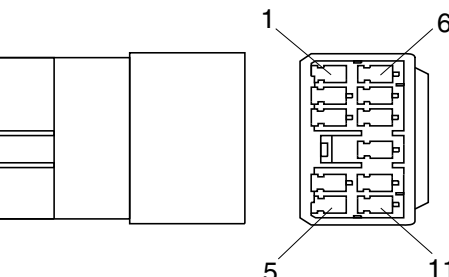
Connector number	Type	No. of pin	Destination	Connector part No.	
				Female	Male
CN-403	DEUTSCH	6	Rear view camera	DT06-6S-EP06	DT04-6P-E005
CN-404	DEUTSCH	6	LH view camera	DT06-6S-EP06	DT04-6P-E005
CN-405	DEUTSCH	6	RH view camera	DT06-6S-EP06	DT04-6P-E005
CN-406	DEUTSCH	4	Service tool	DT06-4S-EP05	DT04-4P-E005
CN-419	DEUTSCH	2	Swing parking-A1	DT06-2S-EP06	-
CN-420	DEUTSCH	2	Swing parking-A2	DT06-2S-EP06	-
CN-421	DEUTSCH	2	Swing parking-A3	DT06-2S-EP06	-
CN-427	MOLEX	12	Reader-RMS	5557-12R	5559-12P
CN-430	AMP	10	I/conn (Frame harness - DEF harness)	174655-2	174657-2
CN-447	DEUTSCH	2	Travel straight (A2)	DT06-2S-EP06	-
AT1A	TYCO	4	DOC NOx sensor (inlet)	2-1418390-1	-
AT2A	TYCO	4	SCR NOx sensor (outlet)	1-1418390-1	-
AT7A	TYCO	4	DOC thermister	1-1418390-1	-
AT8A	TYCO	4	SCR thermister	2-1418390-1	-
AT11A	FRAMATOME	4	DEF dif pressure sensor	F715600	-
AT32A	BOSCH	2	DEF dosing valve	1-928405-522	-
CC1D	FCI	14	Cross over connector	54201412	-
CC8D	DEUTSCH	4	Engine sensor	DT06-4S-EP06	-
C12	FCI	4	TBAP	-	54200415
· Relay					
CR-1	RING-TERM	-	Battery relay	ST710289-2	-
CR-2	-	5	Horn relay	-	-
CR-4	-	5	Working lamp relay	-	-
CR-5	-	5	Anti restart relay	-	-
CR-7	-	5	Aircon compressor relay	-	-
CR-9	-	5	Cabin lamp relay	-	-
CR-13	-	5	Head lamp relay	-	-
CR-23B+	RING TERM	-	Start relay B+	ST710384-2	-
CR-23-1	RING TERM	-	Start relay G	ST712089-2	-
CR-23M	RING TERM	-	Start relay M	ST710384-2	-
CR-23-2	RING TERM	-	Start relay S	ST712089-2	-
CR-24B+	RING TERM	-	Preheat relay B+	S820-406001	-
CR-24G	RING TERM	-	Preheat glow	S820-406001	-
CR-24S	-	1	Preheat relay	S822-014001	-
CR-35	-	5	Power relay	-	-
CR-36	-	5	Preheat relay	-	-
CR-39	-	5	Starter lock out relay	-	-
CR-46	-	5	Fuel warmer relay	-	-
CR-48	-	5	Safety relay	-	-

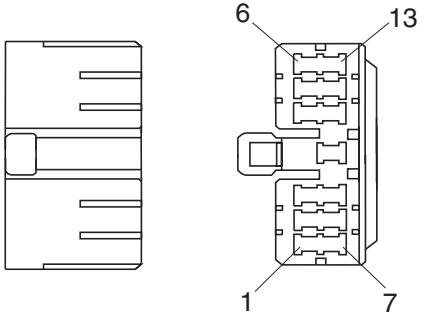
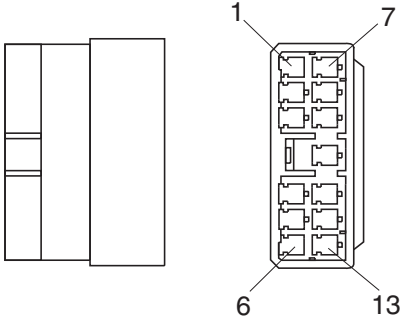
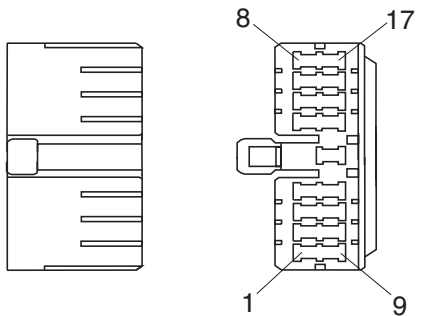
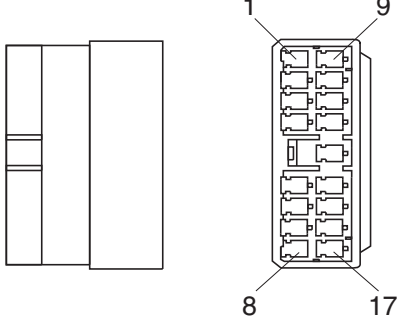
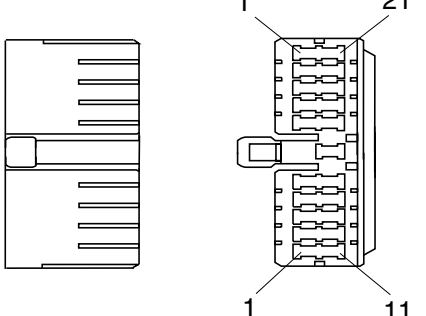
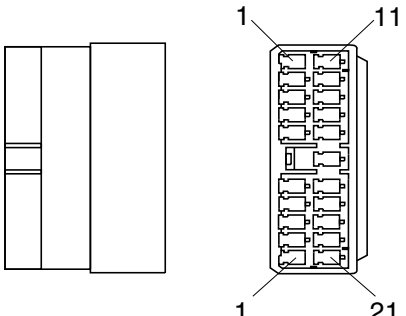
Connector number	Type	No. of pin	Destination	Connector part No.	
				Female	Male
CR-50	-	5	NOx sensor relay	-	-
CR-51	-	5	DEF module relay	-	-
CR-52	-	5	Line heater relay	-	-
CR-85	-	5	Beacon lamp relay	-	-
· Switch					
CS-1	SHUR	1	Door switch	S822-014002	S822-114002
CS-2A	WP	6	Start switch	S814-006100	-
CS-2B	DEUTSCH	3	Start button	DT06-3S-EP06	DT04-3P-E005
CS-2C	KET	3	BKCU	MG651032	-
CS-2D	KET	3	Button key	-	MG641035
CS-4	DEUTSCH	3	Safety switch	DT06-3S	-
CS-5	DEUTSCH	2	Horn switch	-	DT04-2P
CS-19	DEUTSCH	2	One touch decel switch	-	DT04-2P
CS-26	DEUTSCH	2	Breaker switch	DT06-2S	-
CS-26A	AMP	2	Breaker pedal switch	S816-002002	S816-102002
CS-29	DEUTSCH	2	Power max switch	DT06-2S	-
CS-33	AMP	6	Emergency engine stop switch	S816-006002	S816-106002
CS-52	CARLING	10	Adjust & dozer switch	VC2-01	-
CS-53	AMP	1	Wiper cut switch	S822-014002	-
CS-61	AMP	2	Floating switch	174352-2	-
CS-67	CARLING	10	Quick clamp switch	VC2-01	-
CS-73	CARLING	10	Swing lock switch	VC2-01	-
CS-73A	CARLING	10	Fine swing switch	VC2-01	-
CS-74	DEUTSCH	2	Master switch	DT06-2S-EP06	-
CS-74A	AMP	2	Master switch	S813-030201	S813-130201
CS-74A	KET	2	From master SW power	MG610557-5	MG620558-5
CS-74B	DEUTSCH	2	Master switch	DT06-2S-EP06	-
CS-79	CARLING	10	Lower wiper switch	VC2-01	-
CS-99	CARLING	10	Air compressor switch	VC2-01	-
CS-100	CARLING	10	Exhaust system cleaning switch	VC2-01	-
CS-107	CARLING	10	Travel straight switch	VC2-01	-
CS-108	CARLING	10	Auto grease switch	VC2-01	-
CS-111	CARLING	10	Boom floating switch	VC2-01	-
CS-250	DEUTSCH	2	Seat switch	DT06-2S	-
· Light					
CL-1	KET	3	Room lamp	MG651032	-
CL-2	AMP	1	Cigar lighter	S822-014002	S822-114002
CL-3	DEUTSCH	2	Head lamp-LH	DT06-2S-EP06	-
CL-4	DEUTSCH	2	Head lamp-RH	DT06-2S-EP06	-

Connector number	Type	No. of pin	Destination	Connector part No.	
				Female	Male
CL-5	DEUTSCH	2	Work lamp-LH	DT06-2S-EP06	-
CL-6	DEUTSCH	2	Work lamp-RH	DT06-2S-EP06	-
CL-7	DEUTSCH	2	Beacon lamp	DT06-2S-EP06	DT04-2P
CL-8	DEUTSCH	2	Cab lighter-LH	DT06-2S-EP06	DT04-2P
CL-9	DEUTSCH	2	Cab lighter-RH	DT06-2S-EP06	DT04-2P
CL-10	DEUTSCH	2	Cab lighter-RH	DT06-2S-EP06	DT04-2P
CL-24	DEUTSCH	2	Head lamp - rear	DT06-2S-EP06	DT04-2P-E005
CL-40	DEUTSCH	2	DEF/AdBlue® purging lamp	DT06-2S-EP06	DT04-2P
· Sensor, sendor					
CD-1	AMP	2	Hydraulic oil temp sender	85202-1	-
CD-2	DEUTSCH	2	Fuel sender	DT06-2S-EP06	-
CD-7	DEUTSCH	3	Work pilot pressure sw	DT06-3S-EP06	-
CD-10	SUMITOMO	4	TBAP sensor	6908-0144	-
CD-10A	AMP	2	Air cleaner switch	85202-1	-
CD-16	DELPHI	3	Water level sensor	1211 0293	-
CD-24	DEUTSCH	3	Swing pilot pressure sw	DT06-3S-EP06	-
CD-31	DEUTSCH	3	Overload pressure sensor	DT06-3S-EP06	DT04-3P-E005
CD-32	DEUTSCH	3	Boom up pilot pressure sw	DT06-3S-EP06	-
CD-42	DEUTSCH	3	A1 pump delivery pressure sw	DT06-3S-EP06	-
CD-43	DEUTSCH	3	A2 pump delivery pressure sw	DT06-3S-EP06	-
CD-44	DEUTSCH	3	A3 pump delivery pressure sw	DT06-3S-EP06	-
CD-45	DEUTSCH	2	WIF sensor	DT06-2S-EP06	-
CD-50	KET	3	Dozer pilot pressure sw	MG640795	-
CD-69	DEUTSCH	3	Attach pressure sensor	DT06-3S-EP06	-
CD-70	DEUTSCH	3	N1 pressure sensor	DT06-3S-EP06	-
CD-71	DEUTSCH	3	N2 pressure sensor	DT06-3S-EP06	-
CD-85	DEUTSCH	3	Boom down pilot pressure sw	DT06-3S-EP06	-
CD-86	DEUTSCH	3	Arm out pilot pressure sw	DT06-3S-EP06	-
CD-90	DEUTSCH	3	Arm in pilot pressure sw	DT06-3S-EP06	-
CD-91	DEUTSCH	3	Bucket in pilot pressure sw	DT06-3S-EP06	-
CD-104	DEUTSCH	3	RH travel pilot pressure sw	DT06-3S-EP06	-
CD-105	DEUTSCH	3	LH travel pilot pressure sw	DT06-3S-EP06	-
CD-129	DEUTSCH	3	Bucket out pilot pressure sw	DT06-3S-EP06	-

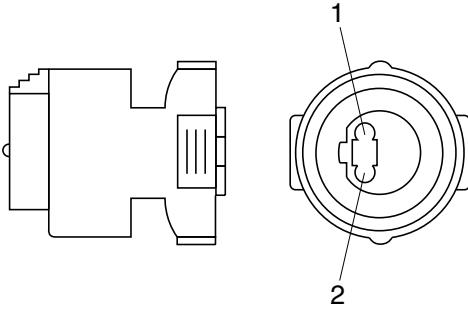
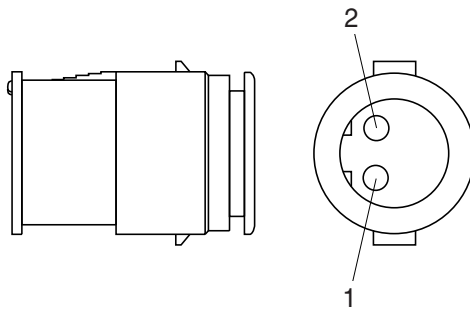
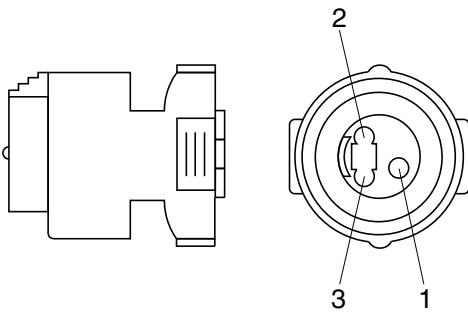
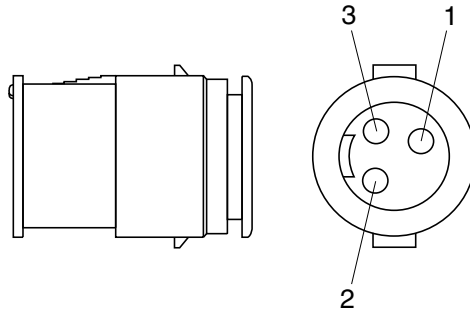
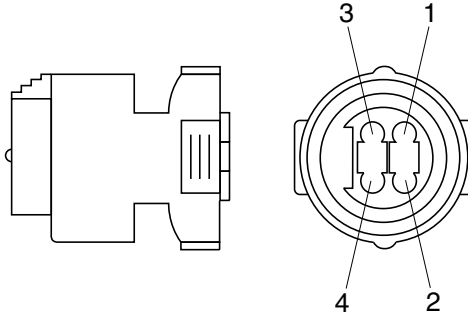
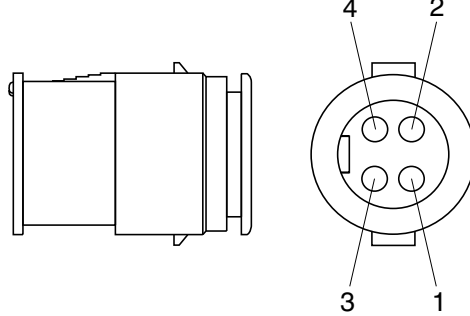
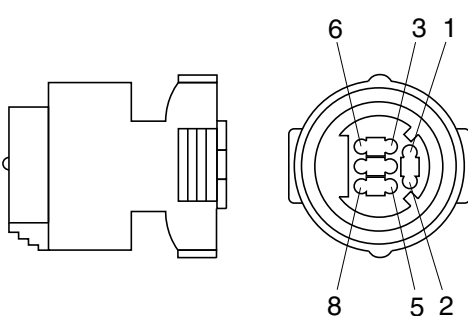
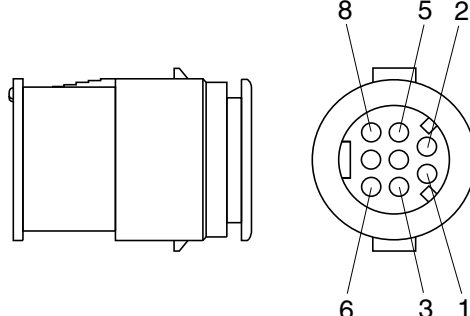
2. CONNECTION TABLE FOR CONNECTORS

1) PA TYPE CONNECTOR

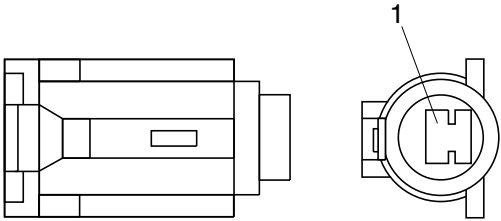
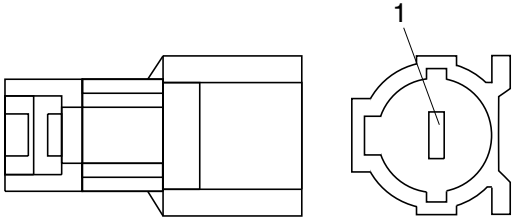
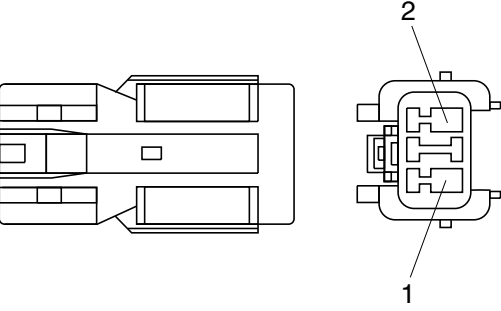
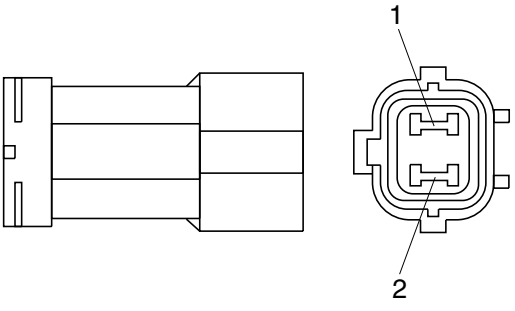
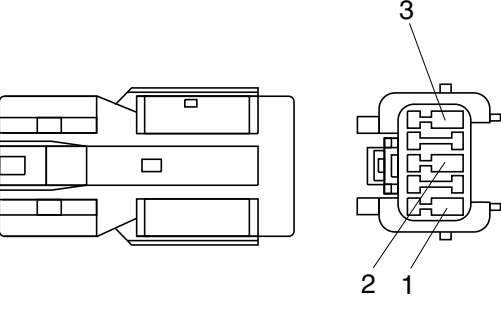
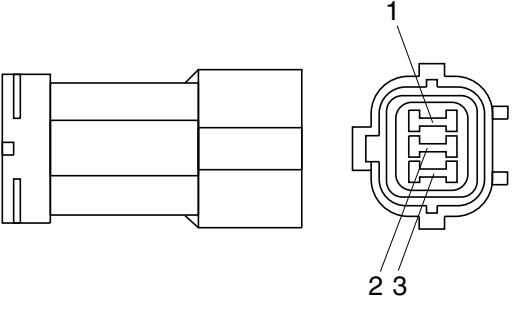
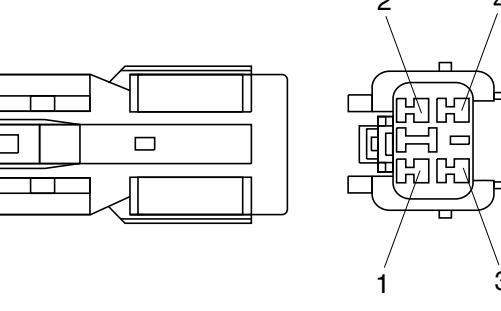
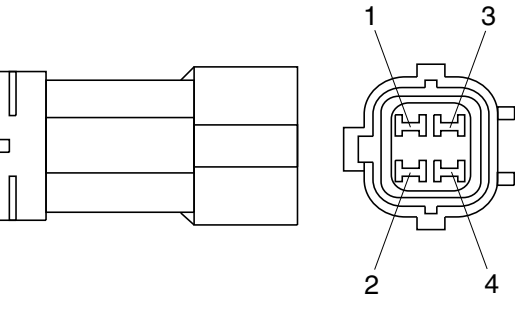
No. of pin	Receptacle connector (female)	Plug connector (male)
5	 <p style="text-align: center;">S811-005002</p>	 <p style="text-align: center;">S811-105002</p>
7	 <p style="text-align: center;">S811-007002</p>	 <p style="text-align: center;">S811-107002</p>
9	 <p style="text-align: center;">S811-009002</p>	 <p style="text-align: center;">3S811-109002</p>
11	 <p style="text-align: center;">S811-011002</p>	 <p style="text-align: center;">S811-111002</p>

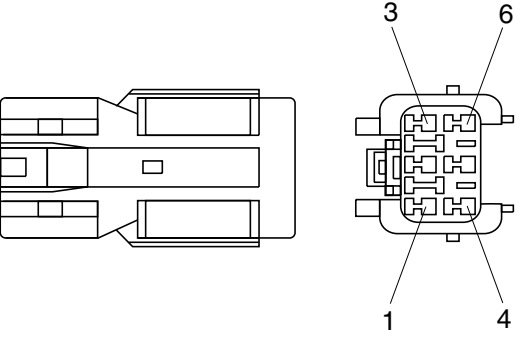
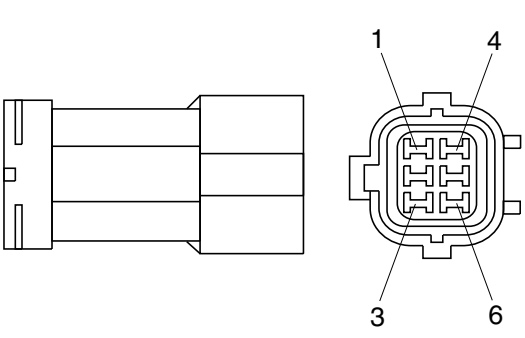
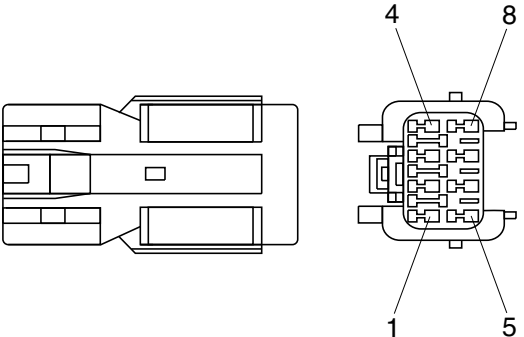
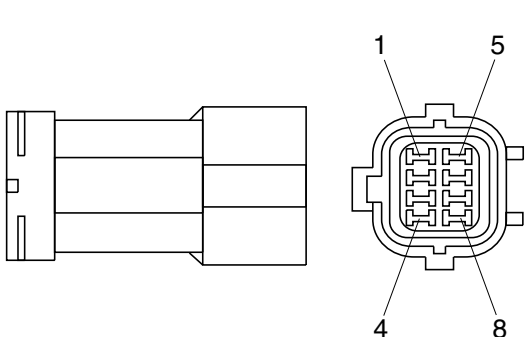
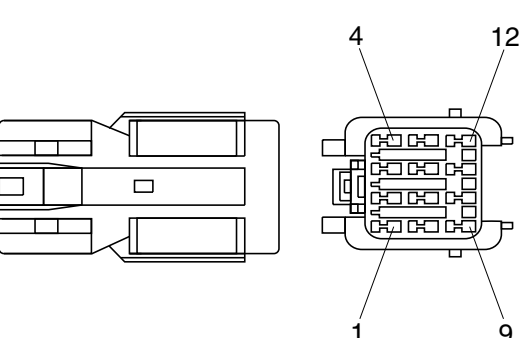
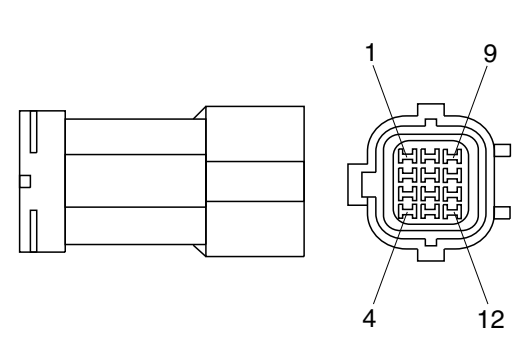
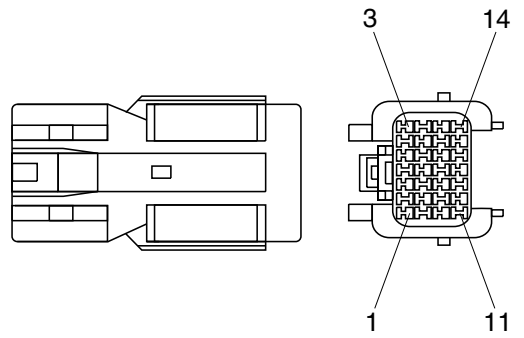
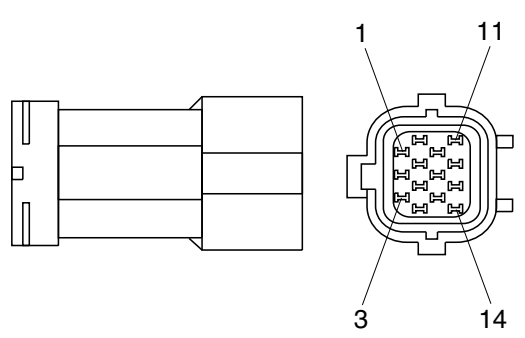
No. of pin	Receptacle connector (female)	Plug connector (male)
13	 <p style="text-align: center;">S811-013002</p>	 <p style="text-align: center;">S811-113002</p>
17	 <p style="text-align: center;">S811-017002</p>	 <p style="text-align: center;">S811-117002</p>
21	 <p style="text-align: center;">S811-021002</p>	 <p style="text-align: center;">S811-121002</p>

2) J TYPE CONNECTOR

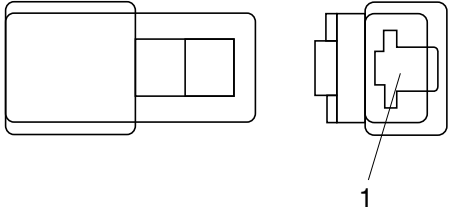
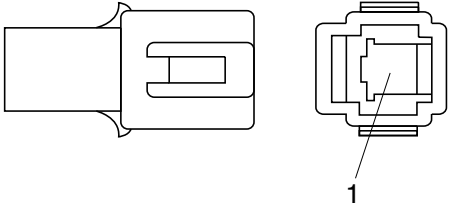
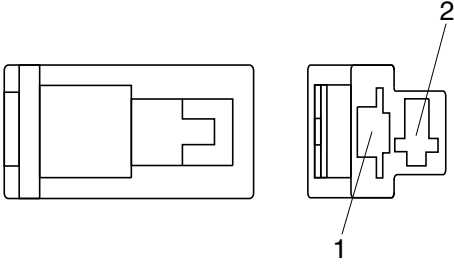
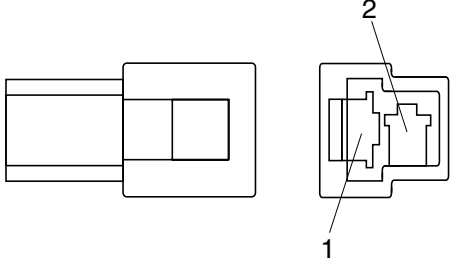
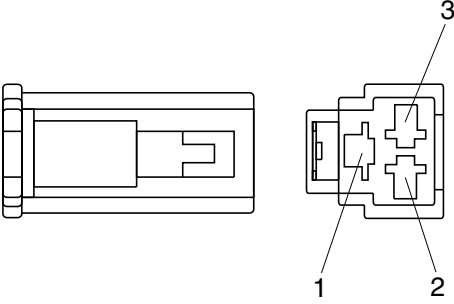
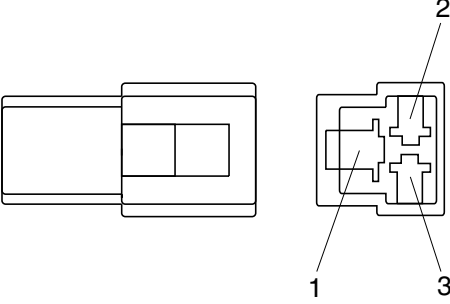
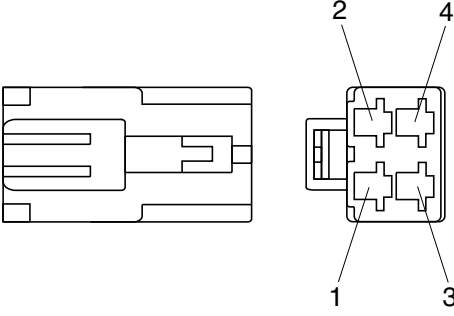
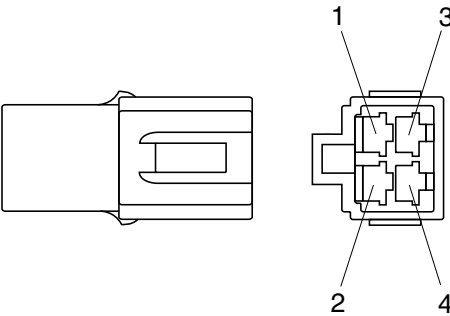
No. of pin	Receptacle connector (female)	Plug connector (male)
2	 <p style="text-align: center;">S816-002001</p>	 <p style="text-align: center;">S816-102001</p>
3	 <p style="text-align: center;">S816-003001</p>	 <p style="text-align: center;">S816-103001</p>
4	 <p style="text-align: center;">S816-004001</p>	 <p style="text-align: center;">S816-104001</p>
8	 <p style="text-align: center;">S816-008001</p>	 <p style="text-align: center;">S816-108001</p>

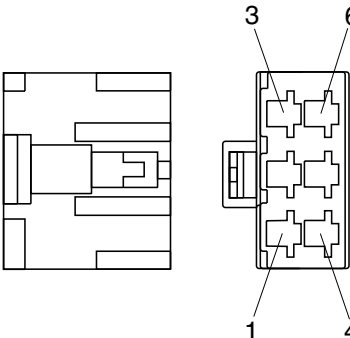
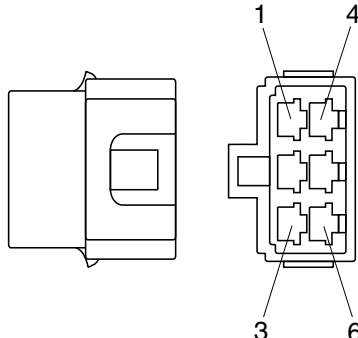
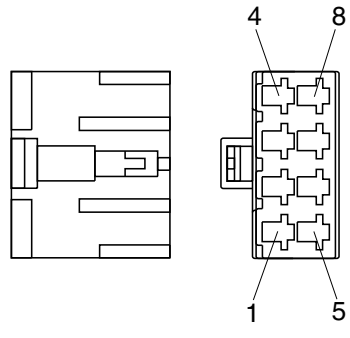
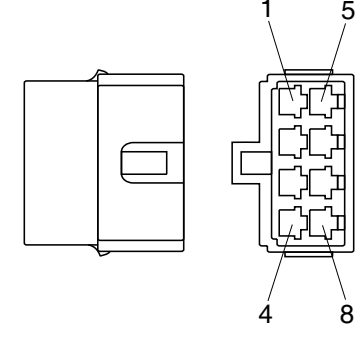
3) SWP TYPE CONNECTOR

No. of pin	Receptacle connector (female)	Plug connector (male)
1	 <p data-bbox="687 680 836 707">S814-001000</p>	 <p data-bbox="1241 680 1390 707">S814-101000</p>
2	 <p data-bbox="687 1084 836 1111">S814-002000</p>	 <p data-bbox="1241 1084 1390 1111">S814-102000</p>
3	 <p data-bbox="687 1491 836 1518">S814-003000</p>	 <p data-bbox="1241 1491 1390 1518">S814-103000</p>
4	 <p data-bbox="687 1899 836 1926">S814-004000</p>	 <p data-bbox="1241 1899 1390 1926">S814-104000</p>

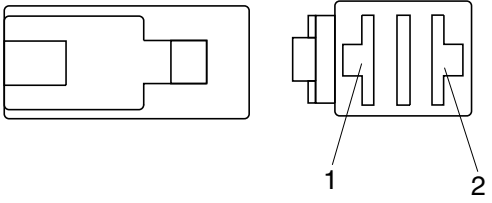
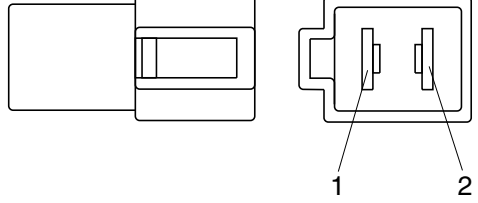
No. of pin	Receptacle connector (female)	Plug connector (male)
6	 <p data-bbox="686 638 837 672">S814-006000</p>	 <p data-bbox="1244 638 1396 672">S814-106000</p>
8	 <p data-bbox="686 1041 837 1075">S814-008000</p>	 <p data-bbox="1244 1041 1396 1075">S814-108000</p>
12	 <p data-bbox="686 1449 837 1482">S814-012000</p>	 <p data-bbox="1244 1449 1396 1482">S814-112000</p>
14	 <p data-bbox="686 1856 837 1890">S814-014000</p>	 <p data-bbox="1244 1856 1396 1890">S814-114000</p>

4) CN TYPE CONNECTOR

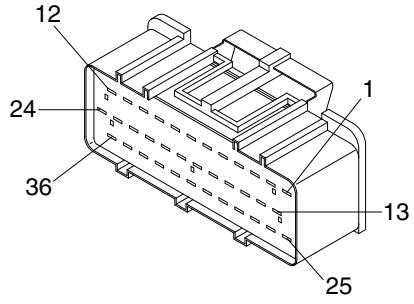
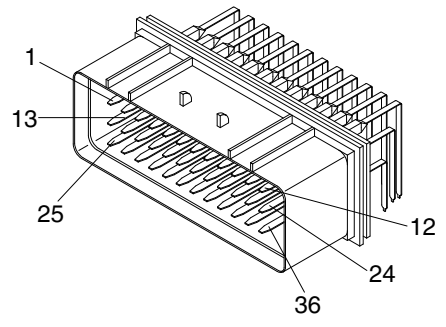
No. of pin	Receptacle connector (female)	Plug connector (male)
1	 <p style="text-align: center;">S810-001202</p>	 <p style="text-align: center;">S810-101202</p>
2	 <p style="text-align: center;">S810-002202</p>	 <p style="text-align: center;">S810-102202</p>
3	 <p style="text-align: center;">S810-003202</p>	 <p style="text-align: center;">S810-103202</p>
4	 <p style="text-align: center;">S810-004202</p>	 <p style="text-align: center;">S810-104202</p>

No. of pin	Receptacle connector (female)	Plug connector (male)
6	 <p data-bbox="686 627 837 660">S810-006202</p>	 <p data-bbox="1236 627 1388 660">S810-106202</p>
8	 <p data-bbox="686 1041 837 1075">S810-008202</p>	 <p data-bbox="1236 1041 1388 1075">S810-108202</p>

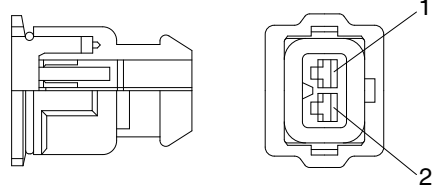
5) 375 FASTEN TYPE CONNECTOR

No. of pin	Receptacle connector (female)	Plug connector (male)
2	 <p style="text-align: center;">S810-002402</p>	 <p style="text-align: center;">S810-102402</p>

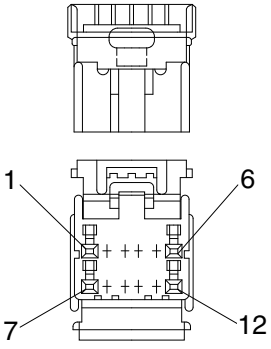
6) AMP ECONOSEAL CONNECTOR

No. of pin	Receptacle connector (female)	Plug connector (male)
36	 <p style="text-align: center;">344111-1</p>	 <p style="text-align: center;">344108-1</p>

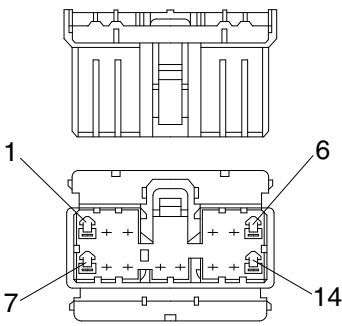
7) AMP TIMER CONNECTOR

No. of pin	Receptacle connector (female)	Plug connector (male)
2	 <p style="text-align: center;">85202-1</p>	

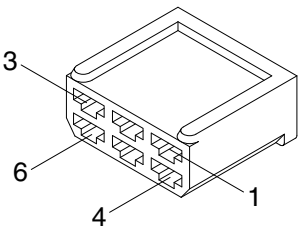
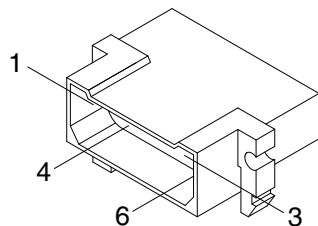
8) AMP 040 MULTILOCK CONNECTOR

No. of pin	Receptacle connector (female)	Plug connector (male)
12	 <p style="text-align: right;">174045-2</p>	

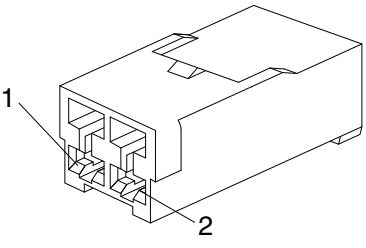
9) AMP 070 MULTILOCK CONNECTOR

No. of pin	Receptacle connector (female)	Plug connector (male)
14	 <p style="text-align: right;">173852</p>	

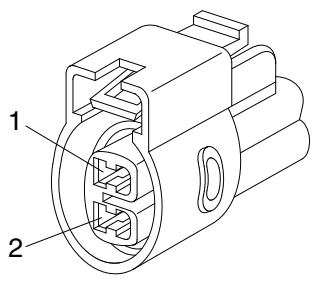
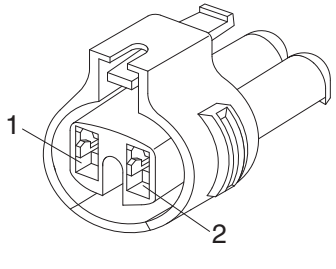
10) AMP FASTIN - FASTON CONNECTOR

No. of pin	Receptacle connector (female)	Plug connector (male)
6	 <p style="text-align: right;">925276-0</p>	 <p style="text-align: right;">480003-9</p>

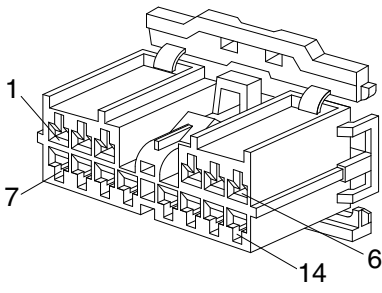
11) KET 090 CONNECTOR

No. of pin	Receptacle connector (female)	Plug connector (male)
2	 <p style="text-align: right;">MG610070</p>	

12) KET 090 WP CONNECTORS

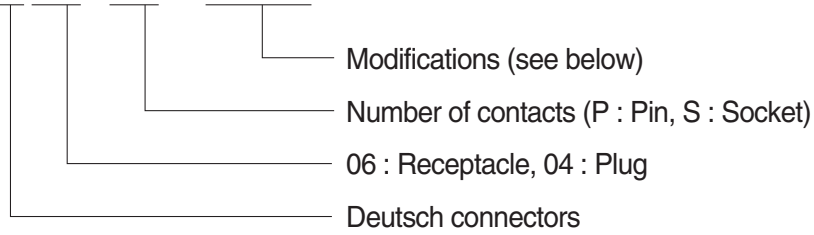
No. of pin	Receptacle connector (female)	Plug connector (male)
2	 <p style="text-align: right;">MG640605</p>	
2	 <p style="text-align: right;">MG640795</p>	

13) KET SDL CONNECTOR

No. of pin	Receptacle connector (female)	Plug connector (male)
14	 <p>MG610406</p>	

14) DEUTSCH DT CONNECTORS

DT 06 - 3S - ★★☆☆



※ Modification

E003 : Standard end cap - gray

E004 : Color of connector to be black

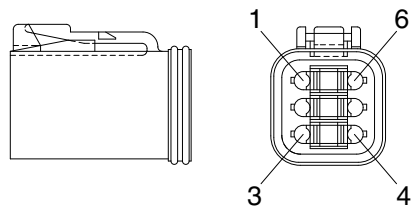
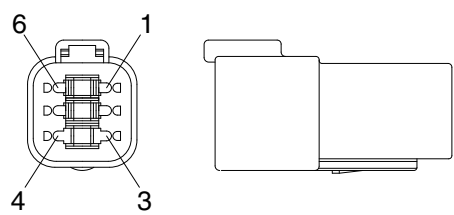
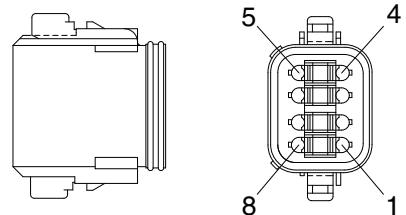
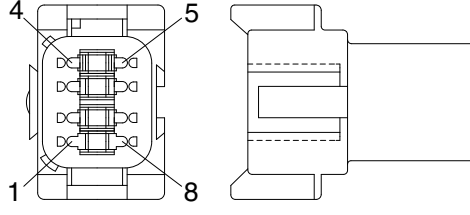
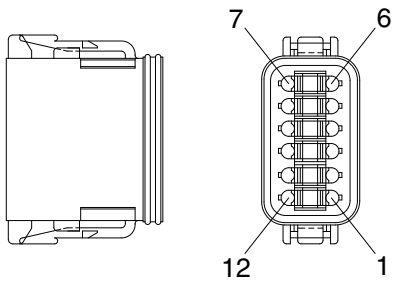
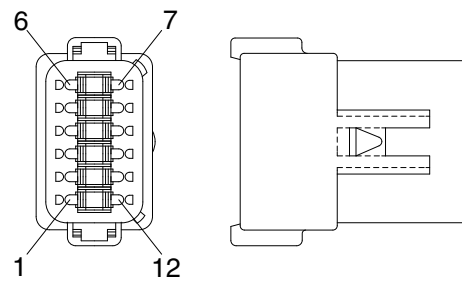
E005 : Combination - E004 & E003

EP04 : End cap

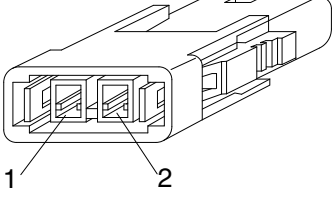
EP06 : Combination P012 & EP04

P012 : Front seal enhancement - connectors color to black for 2, 3, 4 & 6pin

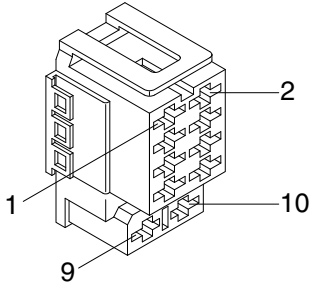
No. of pin	Receptacle connector (female)	Plug connector (male)
2	<p>DT06-2S</p>	<p>DT04-2P</p>
3	<p>DT06-3S</p>	<p>DT04-3P</p>
4	<p>DT06-4S</p>	<p>DT04-4P</p>

No. of pin	Receptacle connector (female)	Plug connector (male)
6	 <p style="text-align: center;">DT06-6S</p>	 <p style="text-align: center;">DT04-6P</p>
8	 <p style="text-align: center;">DT06-8S</p>	 <p style="text-align: center;">DT04-8P</p>
12	 <p style="text-align: center;">DT06-12S</p>	 <p style="text-align: center;">DT04-12P</p>

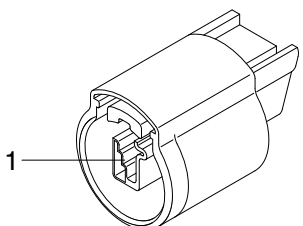
15) MOLEX 2CKTS CONNECTOR

No. of pin	Receptacle connector (female)	Plug connector (male)
2	 <p data-bbox="702 683 837 705">35215-0200</p>	

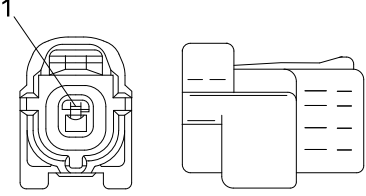
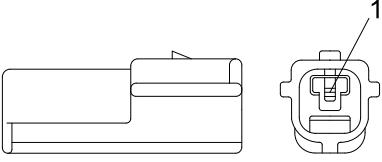
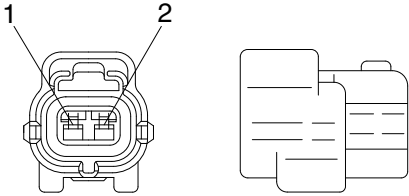
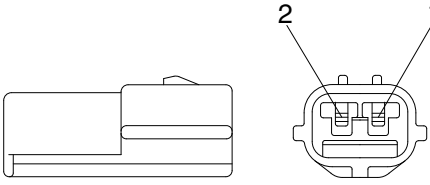
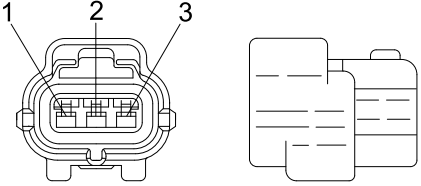
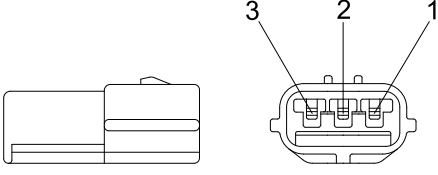
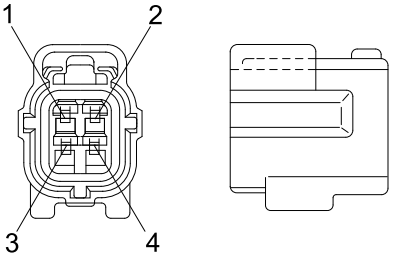
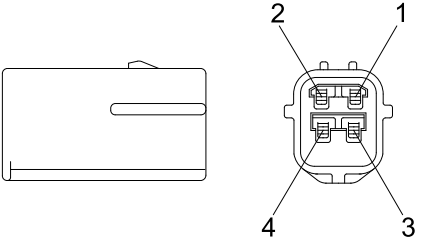
16) ITT SWF CONNECTOR

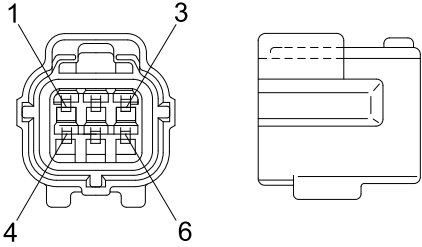
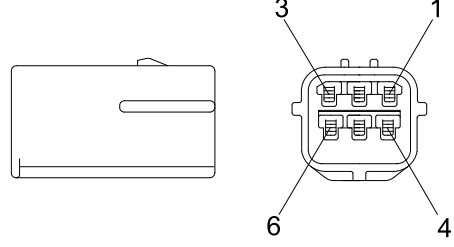
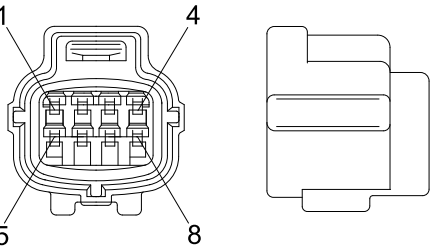
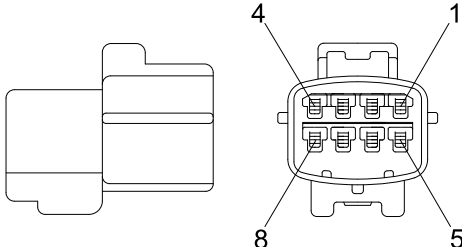
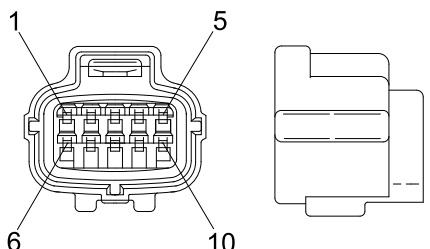
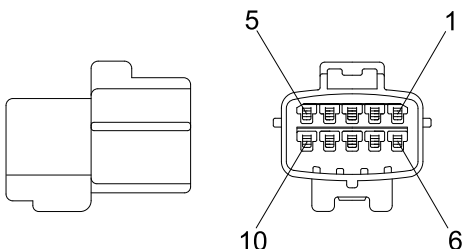
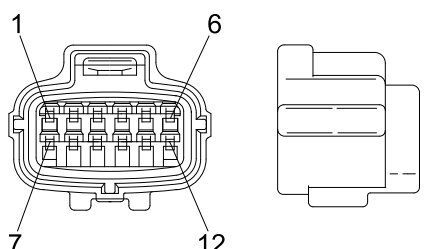
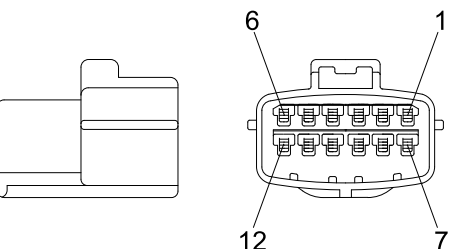
No. of pin	Receptacle connector (female)	Plug connector (male)
10	 <p data-bbox="694 1288 837 1310">SWF593757</p>	

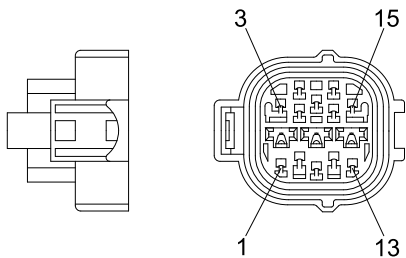
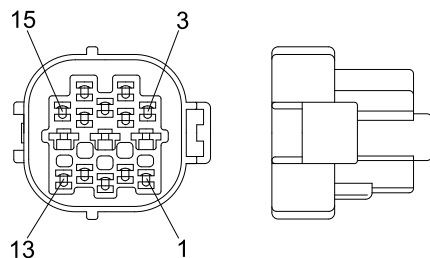
17) MWP NMWP CONNECTOR

No. of pin	Receptacle connector (female)	Plug connector (male)
1	 <p data-bbox="686 1892 837 1915">NMWP01F-B</p>	

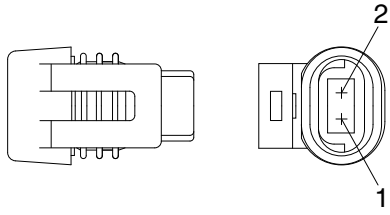
18) ECONOSEAL J TYPE CONNECTORS

No. of pin	Receptacle connector (female)	Plug connector (male)
1	 <p data-bbox="687 680 837 712">S816-001002</p>	 <p data-bbox="1241 680 1391 712">S816-101002</p>
2	 <p data-bbox="687 1088 837 1120">S816-002002</p>	 <p data-bbox="1241 1088 1391 1120">S816-102002</p>
3	 <p data-bbox="687 1494 837 1525">S816-003002</p>	 <p data-bbox="1241 1494 1391 1525">S816-103002</p>
4	 <p data-bbox="687 1899 837 1930">S816-004002</p>	 <p data-bbox="1241 1899 1391 1930">S816-104002</p>

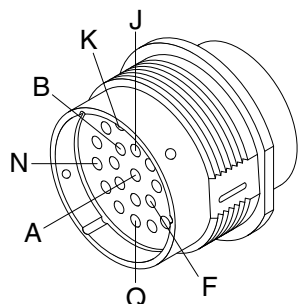
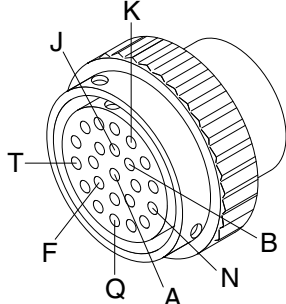
No. of pin	Receptacle connector (female)	Plug connector (male)
6	 <p data-bbox="686 638 837 672">S816-006002</p>	 <p data-bbox="1236 638 1388 672">S816-106002</p>
8	 <p data-bbox="686 1041 837 1075">S816-008002</p>	 <p data-bbox="1236 1041 1388 1075">S816-108002</p>
10	 <p data-bbox="686 1444 837 1478">S816-010002</p>	 <p data-bbox="1236 1444 1388 1478">S816-110002</p>
12	 <p data-bbox="686 1848 837 1881">S816-012002</p>	 <p data-bbox="1236 1848 1388 1881">S816-112002</p>

No. of pin	Receptacle connector (female)	Plug connector (male)
15	 <p data-bbox="730 633 834 663">368301-1</p>	 <p data-bbox="1278 633 1382 663">2-85262-1</p>

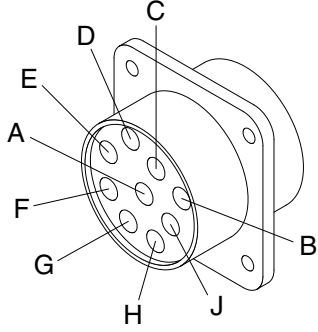
19) METRI-PACK TYPE CONNECTOR

No. of pin	Receptacle connector (female)	Plug connector (male)
2	 <p data-bbox="726 1236 829 1265">12040753</p>	

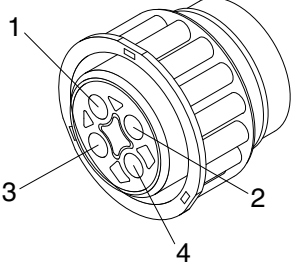
20) DEUTSCH HD30 CONNECTOR

No. of pin	Receptacle connector (female)	Plug connector (male)
23	 <p data-bbox="667 1839 834 1868">HD36-24-23SN</p>	 <p data-bbox="1220 1839 1388 1868">HD34-24-23PN</p>

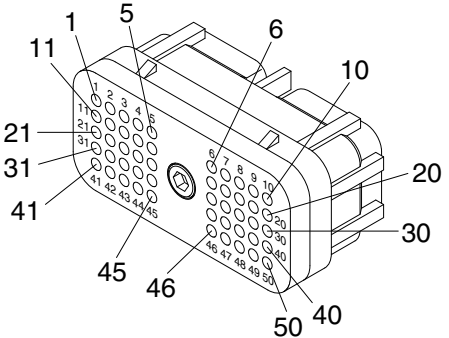
21) DEUTSCH SERVICE TOOL CONNECTOR

No. of pin	Receptacle connector (Female)	Plug connector (Male)
9	 <p style="text-align: right;">HD10-9-96P</p>	

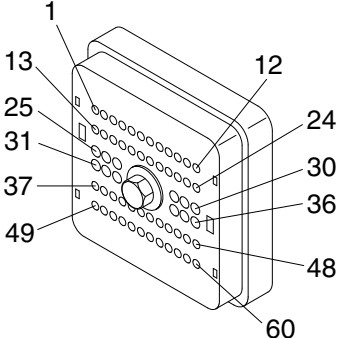
22) AMP FUEL WARMER CONNECTOR

No. of pin	Receptacle connector (Female)	Plug connector (Male)
4	 <p style="text-align: right;">2-967325-3</p>	

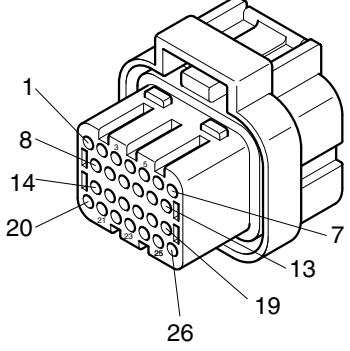
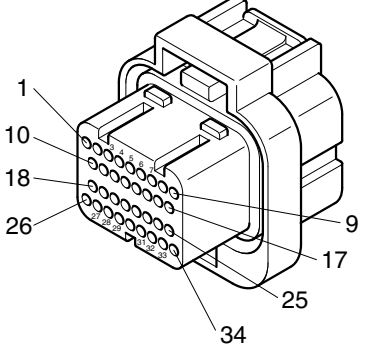
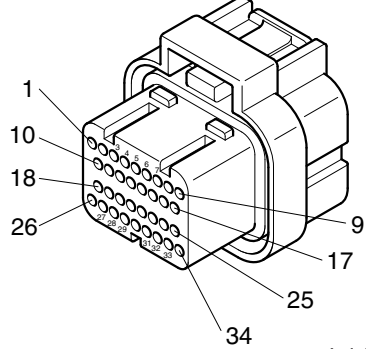
23) DEUTSCH ENGINE ECM CONNECTOR

No. of pin	Receptacle connector (Female)	Plug connector (Male)
50	 <p style="text-align: center;">DRC26-50S-04</p>	

24) DEUTSCH INTERMEDIATE CONNECTOR

No. of pin	Receptacle connector (Female)	Plug connector (Male)
60	 <p style="text-align: center;">DRB16-60SAE-L018</p>	

25) TE MCU CONNECTOR

No. of pin	Receptacle connector (female)	Plug connector (male)
26	 <p data-bbox="718 683 837 712">1473416-1</p>	
34	 <p data-bbox="694 1041 837 1108">2-1437285-3 4-1437290-0</p>	
34	 <p data-bbox="694 1489 837 1518">4-1437290-1</p>	