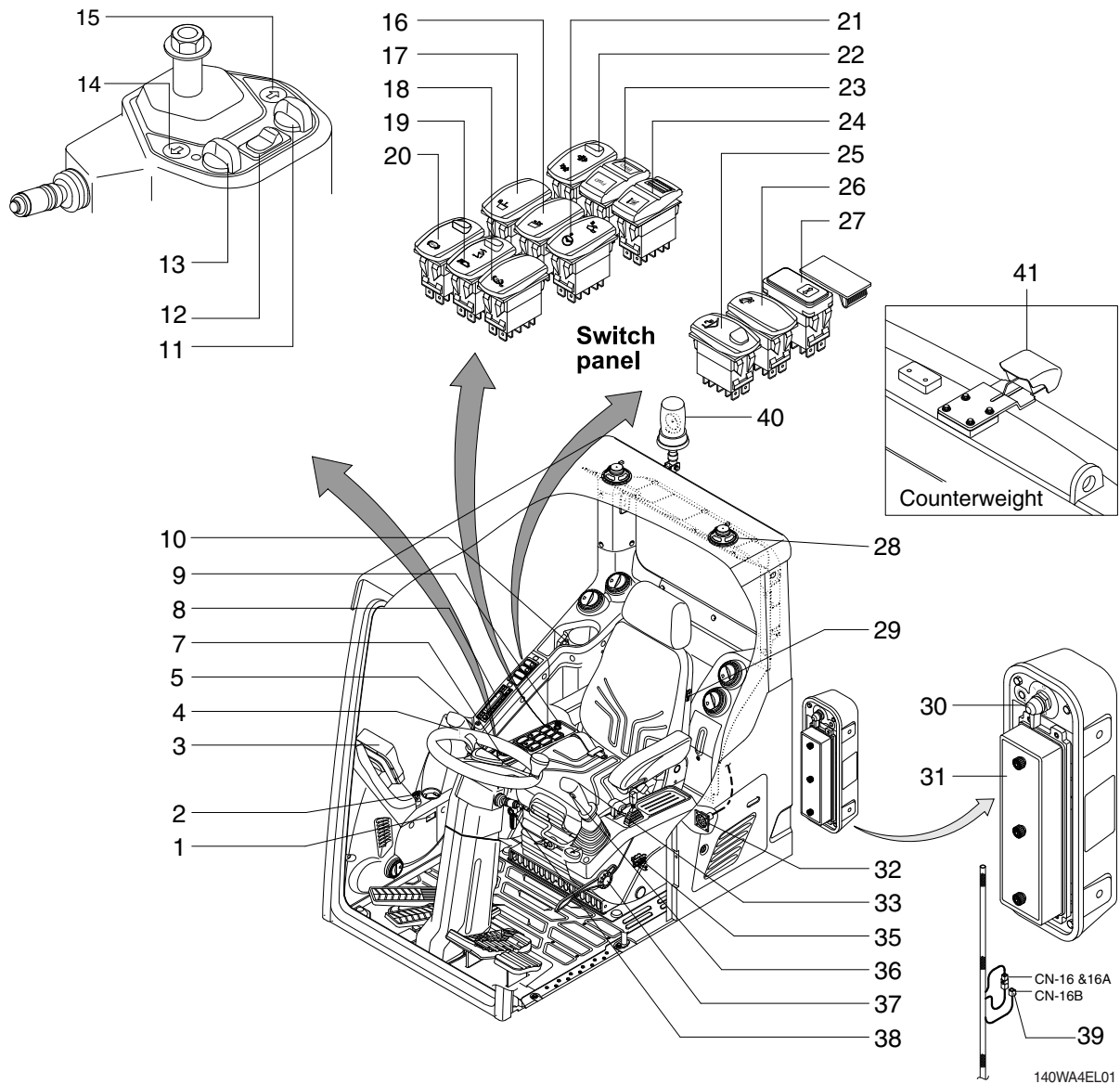


SECTION 4 ELECTRICAL SYSTEM

| | |
|--|------|
| Group 1 Component Location | 4-1 |
| Group 2 Electrical Circuit | 4-3 |
| Group 3 Electrical Component Specification | 4-25 |
| Group 4 Connectors | 4-37 |

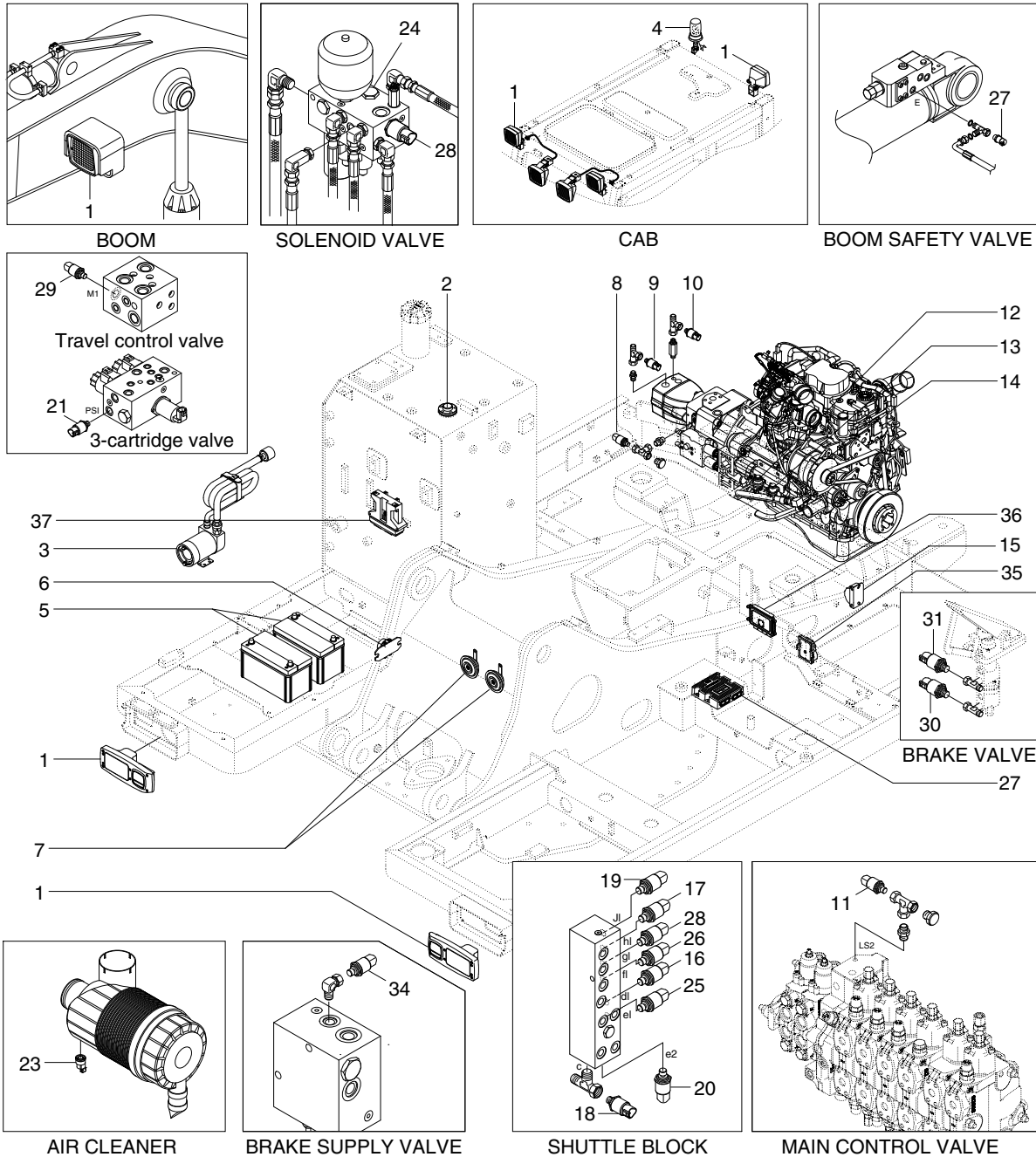
GROUP 1 COMPONENT LOCATION

1. LOCATION 1



- | | | |
|----------------------------|--|---|
| 1 Service meter | 15 Right turn pilot lamp | 29 Seat heater switch |
| 2 Start switch | 16 Fine swing switch | 30 Master switch box |
| 3 Cluster | 17 Swing lock switch | 31 Fuse & relay box |
| 4 FNR switch | 18 Auto cruise switch | 32 RS232 & J1939 service socket |
| 5 Horn switch | 19 Boom floating & ride control switch | 33 One touch decel switch |
| 5 Quick clamp switch | 20 Auto brake switch | 33 Ram lock switch |
| 5 Breaker operation switch | 21 E/steering & crusher switch | 35 Emergency engine stop switch |
| 7 Jog dial module | 22 Exhaust system cleaning switch | 36 Power max switch |
| 8 Radio & USB player | 23 FNR switch (emergency) | 37 Safety knob |
| 9 Cigar lighter | 24 FNR select switch (emergency) | 38 Multi function switch (LH) |
| 10 Socket assy | 25 Quick clamp switch | 39 Emergency engine speed control connector |
| 11 Ram lock rotary switch | 26 Lift trailer Quick clamp switch | 40 Beacon lamp |
| 12 Hazard switch | 27 Trailer pilot lamp | 41 Rear view camera |
| 13 Select rotary switch | 28 Speaker | 42 Socket assy |

2. LOCATION 2

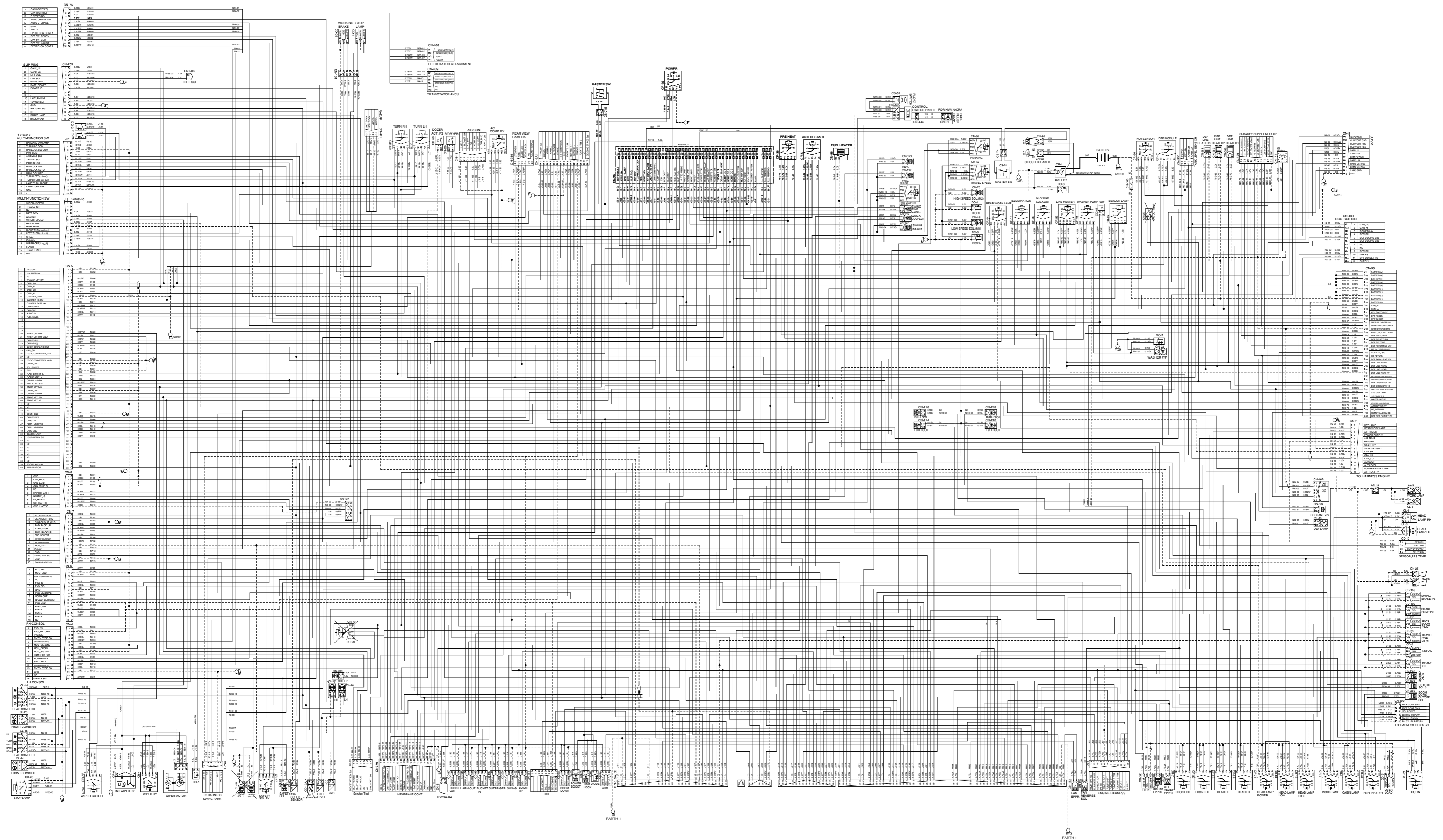


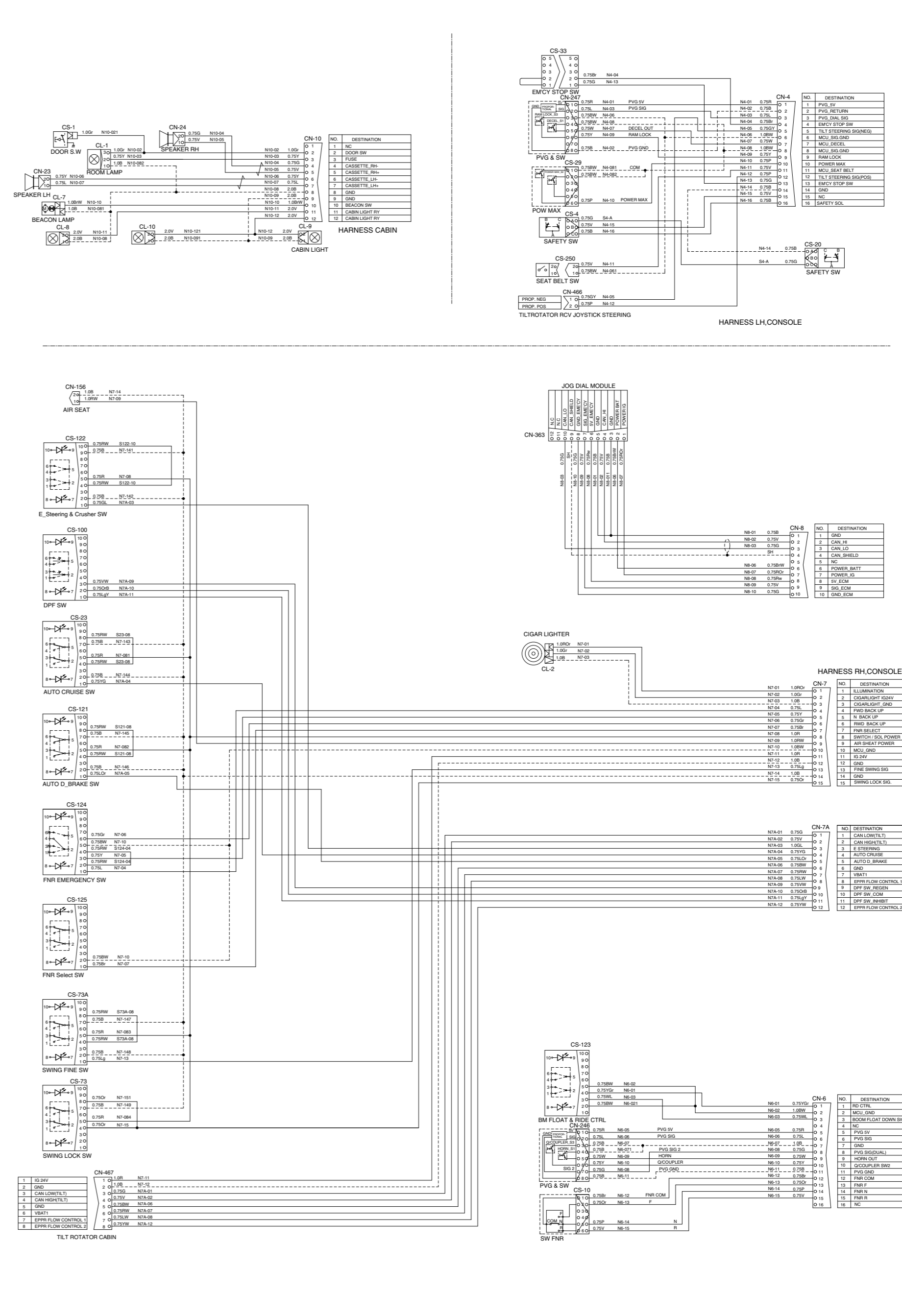
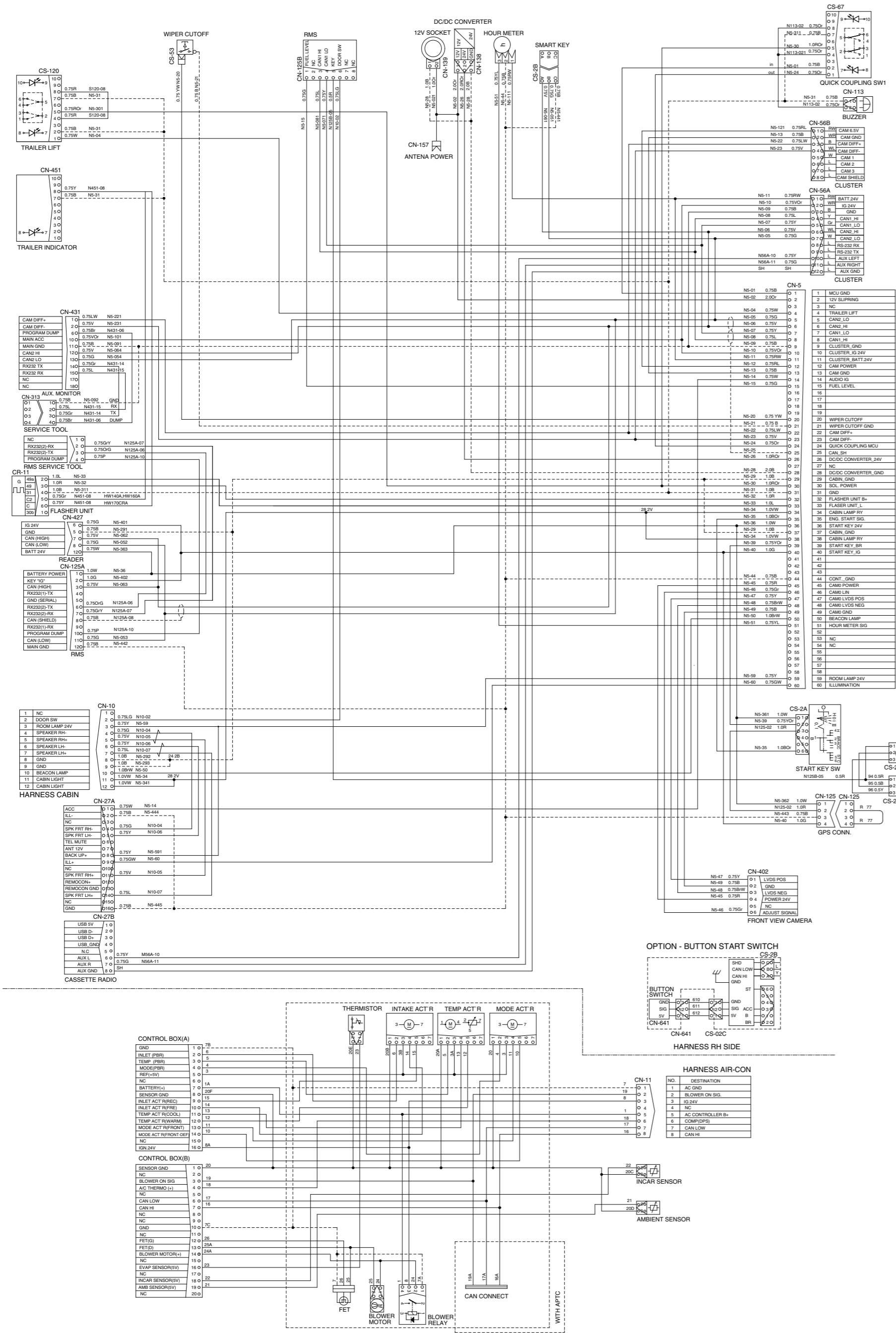
140WA4EL02

- | | | |
|---|-----------------------------------|---|
| 1 Lamp | 12 Start relay | 26 Bucket in pressure sensor |
| 2 Fuel sender | 13 Heater relay | 27 Overload pressure sensor |
| 3 Fuel filler pump | 14 Alternator | 28 Pilot oil pressure sensor |
| 4 Beacon lamp | 15 Travel alarm buzzer | 29 Travel control valve pressure sensor |
| 5 Battery | 16 Arm out pressure sensor | 30 Brake pressure sensor |
| 6 Battery relay | 17 Boom up pressure sensor | 31 Brake pilot lamp pressure switch |
| 7 Horn | 18 Swing pressure sensor | 32 MCU |
| 8 Main pump pressure sensor | 19 Boom down pressure sensor | 34 Brake supply valve pressure sensor |
| 9 Steering pump pressure sensor | 20 Arm in pressure sensor | 35 RDU assy |
| 10 Steering load sensing pressure sensor | 21 Travel pressure sensor | 36 View controller |
| 11 Main pump load sensing pressure sensor | 22 Bucket out pressure sensor | 37 HCU assy |
| | 23 Air cleaner sensor | |
| | 24 4 cartridge valve | |
| | 25 Swing & arm in pressure sensor | |

GROUP 2 ELECTRICAL CIRCUIT

ELECTRICAL CIRCUIT (1/3)





| CN-11 | | CN-5, 5B | |
|-------|------------|----------|--------------------|
| 1 | GND | 1 | M11-01 1.0R U108 |
| 2 | BLOWER SIG | 2 | 5B-26 |
| 3 | CAN2_Lo | 3 | 5B-05 |
| 4 | NC | 4 | |
| 5 | COONT. B+ | 5 | M11-05 1.0L 5B-27 |
| 6 | AC COMP | 6 | M11-06 1.00L 5B-06 |
| 7 | CAN_Lo(2) | 7 | U108 0.75V 5-05 |
| 8 | CAN_Hi(2) | 8 | U109 0.75B 5-06 |

AIR/CON.

| CN-126 | | CN-5, 5A | |
|--------|--------------|----------|-------------|
| J | IG 24V | 100 | 1.0R U126 |
| H | CAN2_Lo | 9 | 0.75V U108 |
| G | CAN2_Hi | 7 | 0.75B U109 |
| F | CAN_Lo | 6 | 0.75W U201 |
| E | CAN_Hi | 5 | 0.75Y U202 |
| D | GND | 4 | 0.75D U1 |
| C | RS232_TX | 3 | 0.75V U203 |
| B | RS232_RX | 2 | 0.75W U211 |
| A | RS232_P_DUMP | 1 | 0.75LW U230 |

Service Tool

| CN-51 | | CN-5, 5A, 5B | |
|-------|----------------|--------------|------------|
| 1 | BATT POWER 24V | 1 | 0.75W U201 |
| 2 | Fan speed | 2 | 0.75L U202 |
| 3 | NC | 3 | 0.75B U203 |
| 4 | Fan speed | 4 | 0.75Y U204 |
| 5 | Fan speed | 5 | 0.75W U205 |
| 6 | Fan speed | 6 | 0.75V U206 |
| 7 | NC | 7 | 0.75D U207 |
| 8 | CAN2_Lo | 8 | 0.75Y U208 |
| 9 | CAN2_Hi | 9 | 0.75B U209 |
| 10 | main ground | 10 | 0.75W U210 |
| 11 | main ground | 11 | 0.75L U211 |
| 12 | main ground | 12 | 0.75D U212 |
| 13 | main ground | 13 | 0.75W U213 |
| 14 | main ground | 14 | 0.75B U214 |
| 15 | main ground | 15 | 0.75V U215 |
| 16 | main ground | 16 | 0.75W U216 |
| 17 | main ground | 17 | 0.75B U217 |
| 18 | main ground | 18 | 0.75V U218 |
| 19 | main ground | 19 | 0.75W U219 |
| 20 | main ground | 20 | 0.75B U220 |
| 21 | main ground | 21 | 0.75V U221 |
| 22 | main ground | 22 | 0.75W U222 |
| 23 | main ground | 23 | 0.75B U223 |
| 24 | main ground | 24 | 0.75V U224 |
| 25 | main ground | 25 | 0.75W U225 |
| 26 | main ground | 26 | 0.75B U226 |
| 27 | main ground | 27 | 0.75V U227 |
| 28 | main ground | 28 | 0.75W U228 |
| 29 | main ground | 29 | 0.75B U229 |
| 30 | main ground | 30 | 0.75V U230 |
| 31 | main ground | 31 | 0.75W U231 |
| 32 | main ground | 32 | 0.75B U232 |
| 33 | main ground | 33 | 0.75V U233 |
| 34 | main ground | 34 | 0.75W U234 |

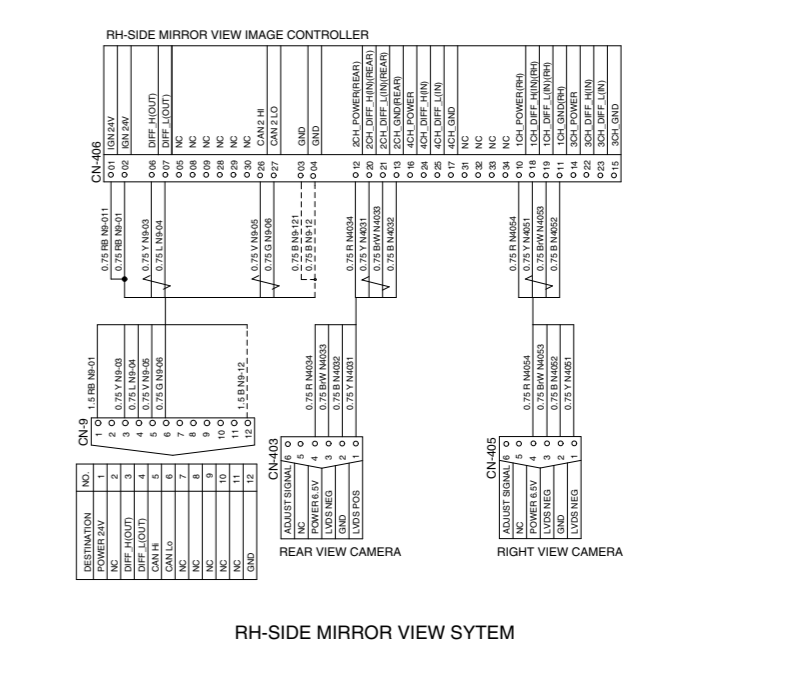
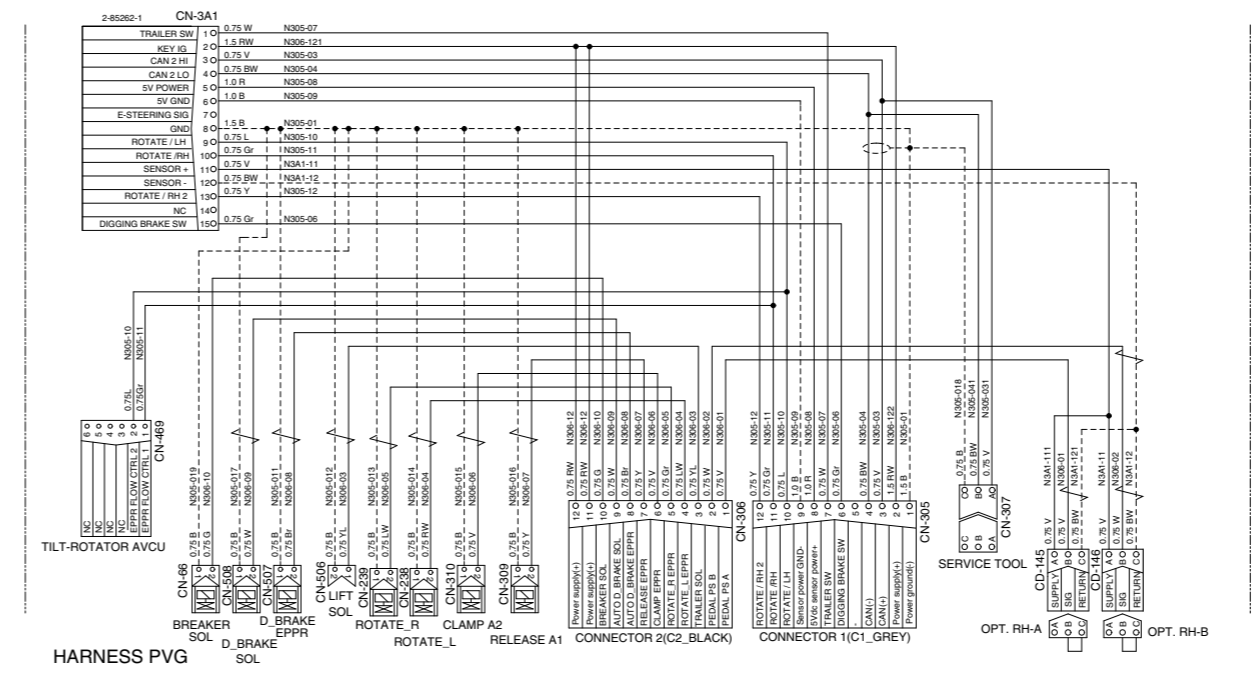
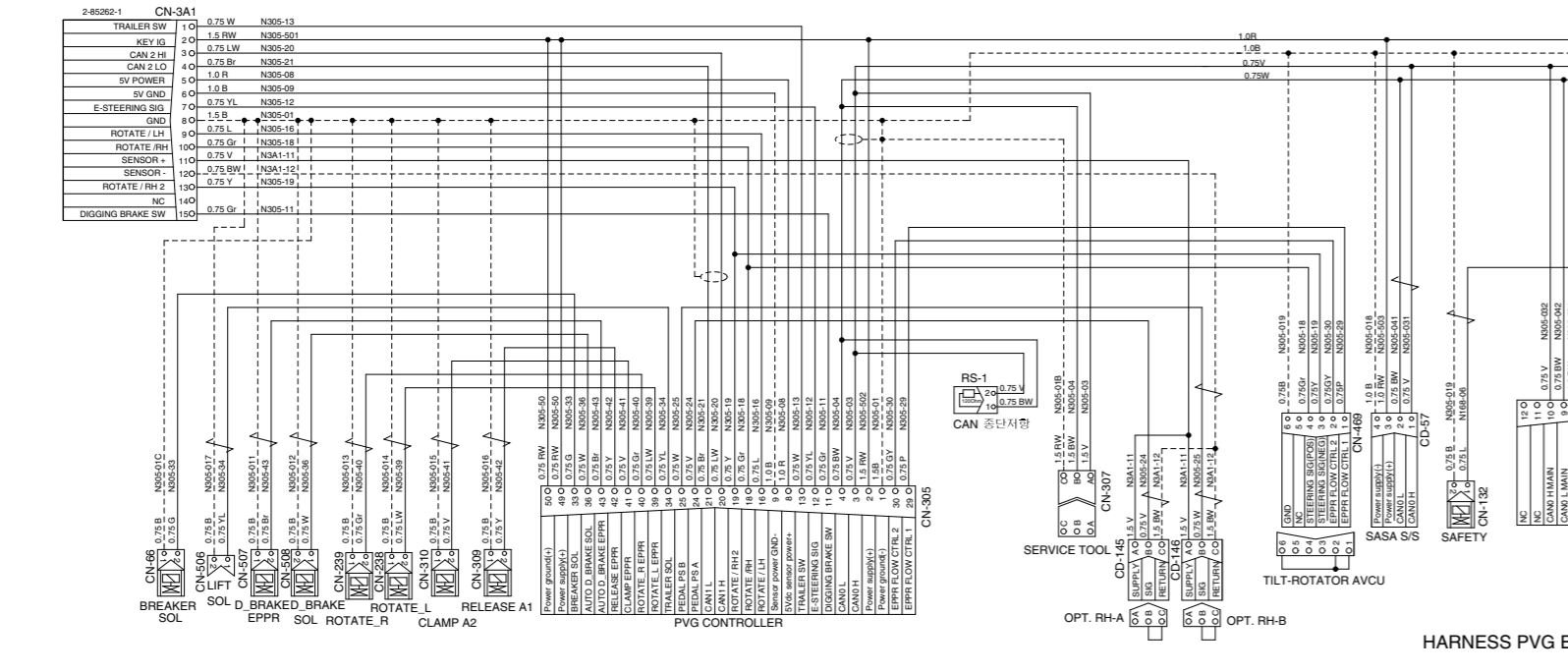
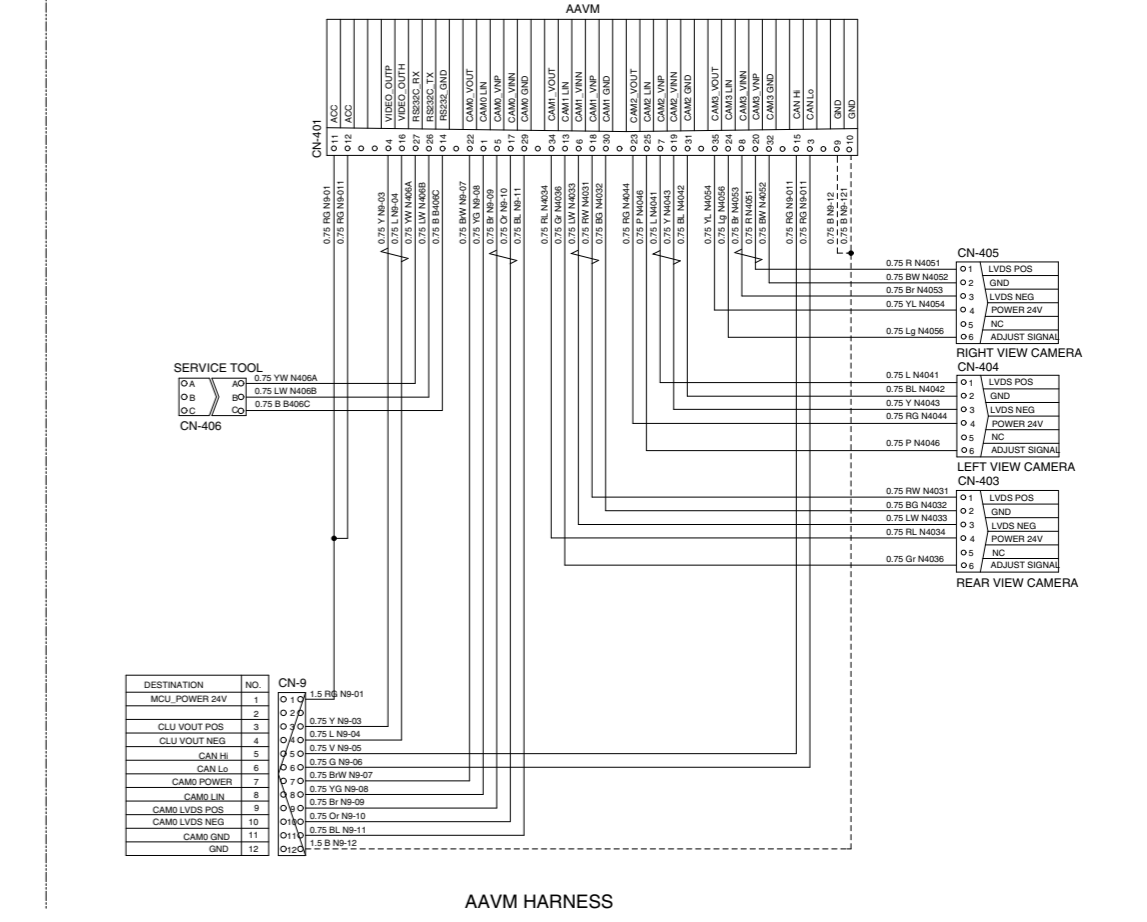
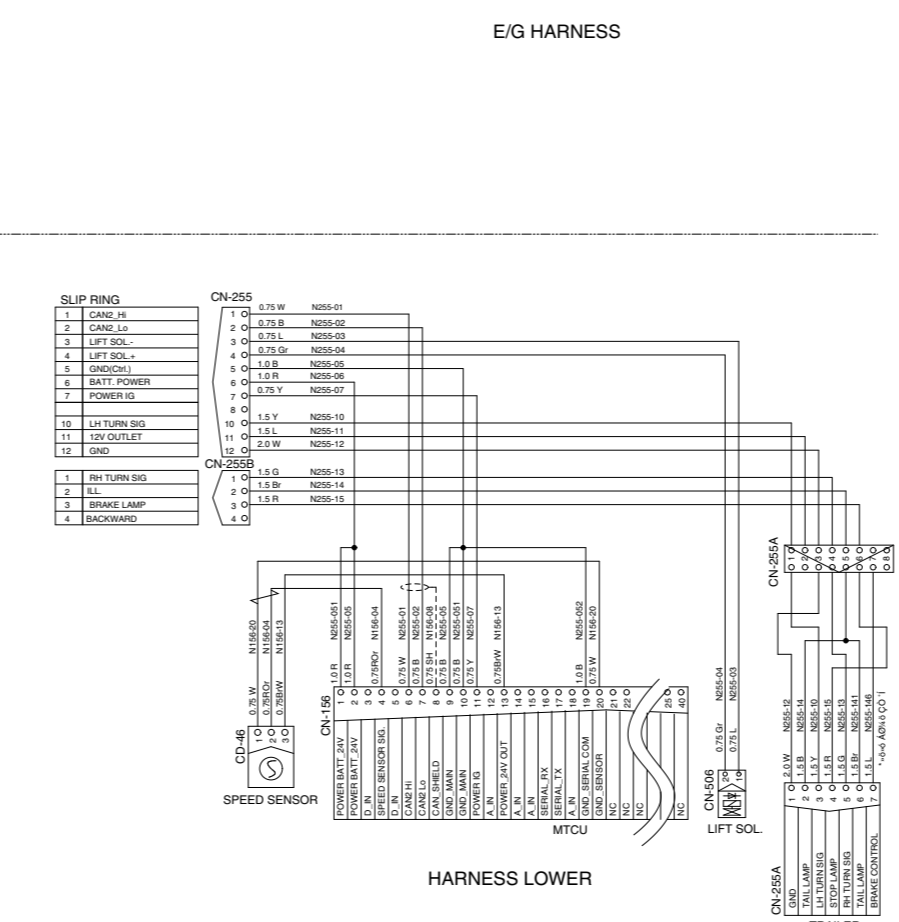
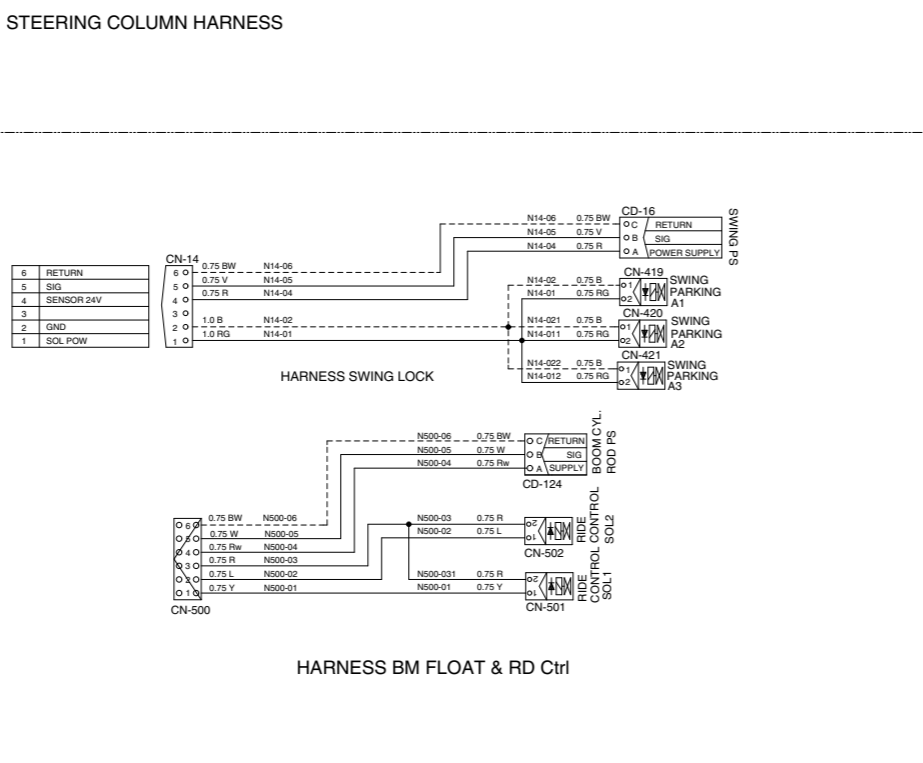
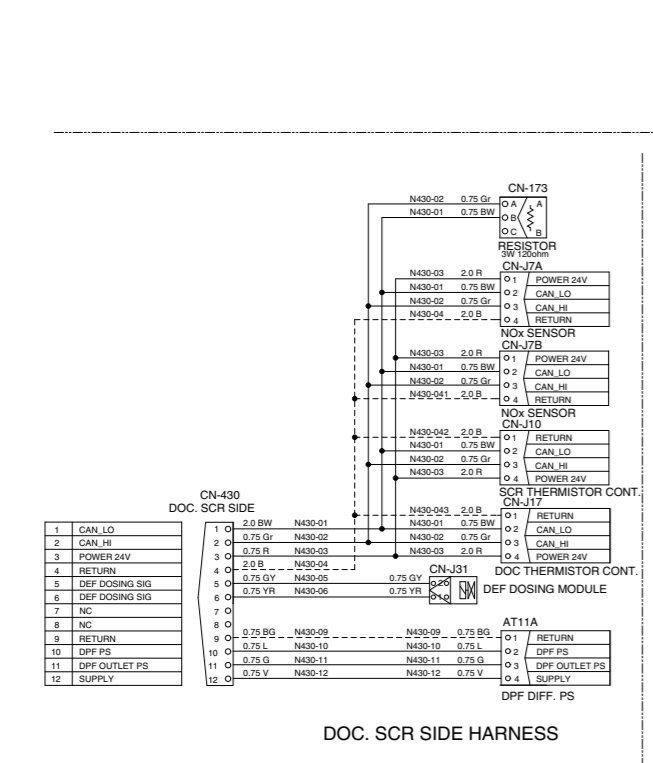
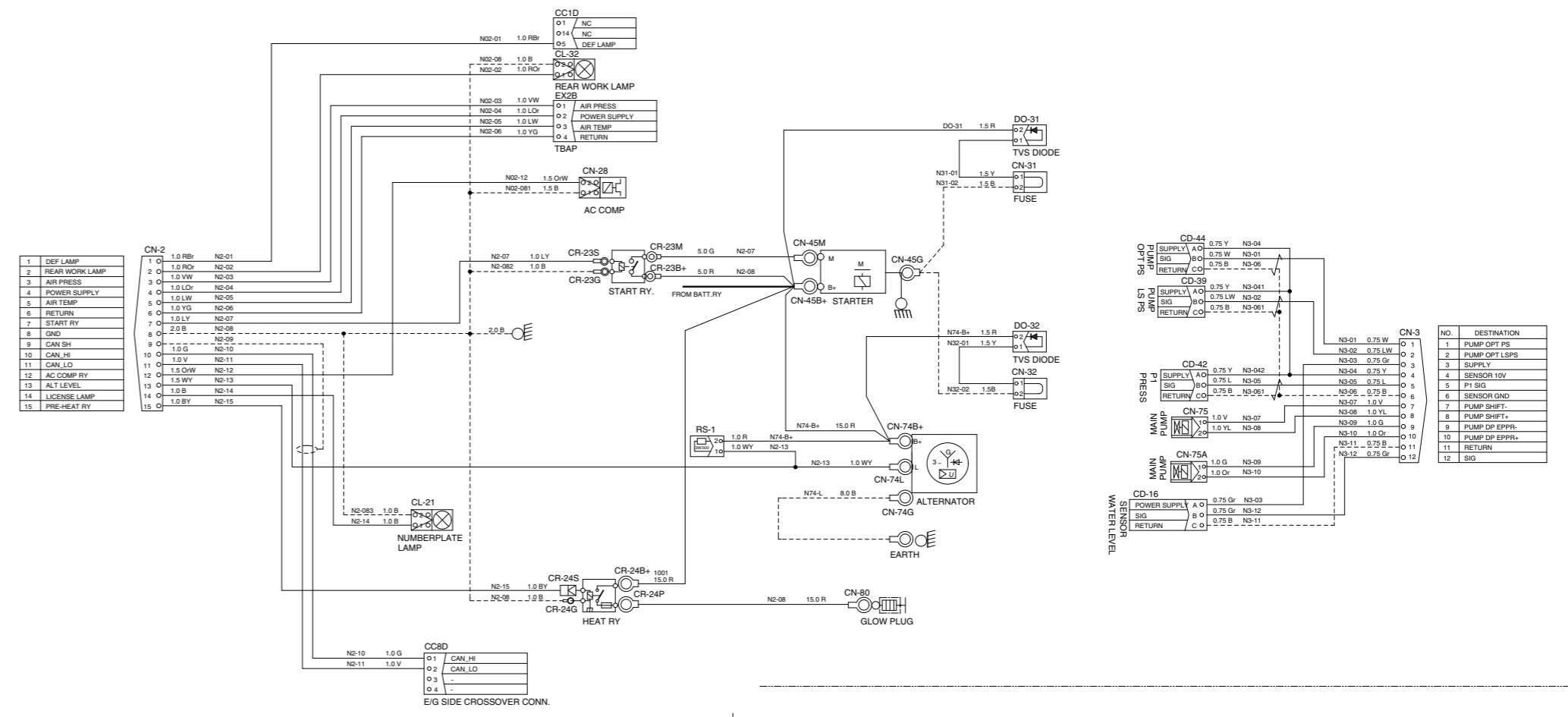
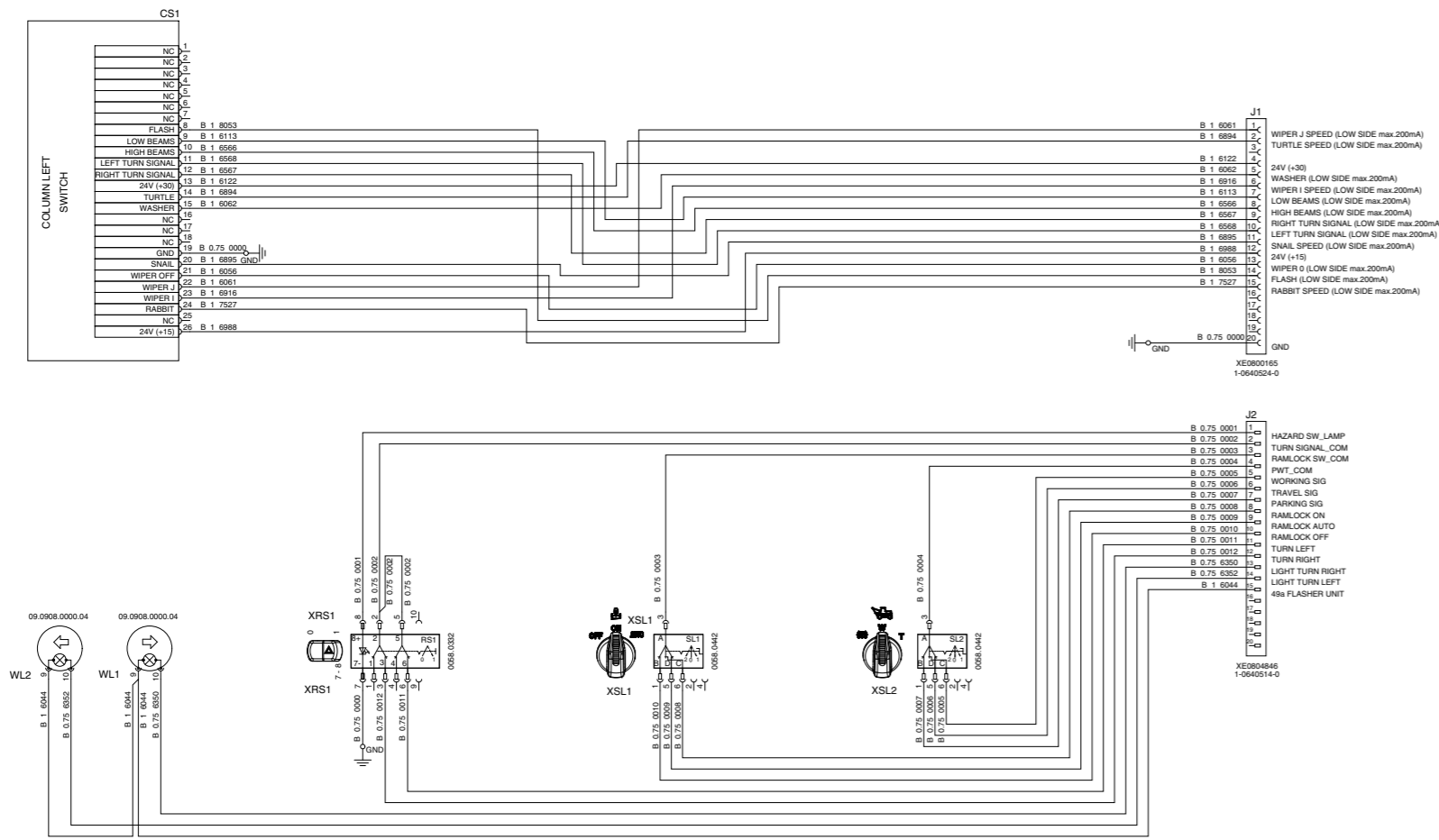
| CN-52 | | CN-5, 5A, 5B | |
|-------|------------------|--------------|------------|
| 1 | CAN1_Lo | 1 | 0.75W U201 |
| 2 | CAN1_Hi | 2 | 0.75L U202 |
| 3 | RS232_TX | 3 | 0.75B U203 |
| 4 | RS232_RX | 4 | 0.75V U204 |
| 5 | Travel speed sol | 5 | 0.75W U205 |
| 6 | Safety Sol | 6 | 0.75Y U206 |
| 7 | PW 2nd sol | 7 | 0.75B U207 |
| 8 | PW 2nd sol | 8 | 0.75V U208 |
| 9 | PW 2nd sol | 9 | 0.75W U209 |
| 10 | CAN2_Hi(2) | 10 | 0.75B U210 |
| 11 | RS232_TX | 11 | 0.75V U211 |
| 12 | NC | 12 | 0.75W U212 |
| 13 | Fan reverse | 13 | 0.75B U213 |
| 14 | FAN REVERSE SOL | 14 | 0.75V U214 |
| 15 | main ground | 15 | 0.75W U215 |
| 16 | main ground | 16 | 0.75B U216 |
| 17 | main ground | 17 | 0.75V U217 |
| 18 | main ground | 18 | 0.75W U218 |
| 19 | main ground | 19 | 0.75B U219 |
| 20 | main ground | 20 | 0.75V U220 |
| 21 | main ground | 21 | 0.75W U221 |
| 22 | main ground | 22 | 0.75B U222 |
| 23 | main ground | 23 | 0.75V U223 |
| 24 | main ground | 24 | 0.75W U224 |
| 25 | main ground | 25 | 0.75B U225 |
| 26 | main ground | 26 | 0.75V U226 |
| 27 | main ground | 27 | 0.75W U227 |
| 28 | main ground | 28 | 0.75B U228 |
| 29 | main ground | 29 | 0.75V U229 |
| 30 | main ground | 30 | 0.75W U230 |
| 31 | main ground | 31 | 0.75B U231 |
| 32 | main ground | 32 | 0.75V U232 |
| 33 | main ground | 33 | 0.75W U233 |
| 34 | main ground | 34 | 0.75B U234 |

MCU

| CN-53 | | CN-5, 5A, 5B | |
|-------|--------------------|--------------|------------|
| 1 | RET CTL SOL | 1 | 0.75W U201 |
| 2 | SWING FINE SOL | 2 | 0.75L U202 |
| 3 | Working coil relay | 3 | 0.75B U203 |
| 4 | RET CTL SOL 2 | 4 | 0.75V U204 |
| 5 | RET CTL SOL 3 | 5 | 0.75W U205 |
| 6 | Booster coil sol | 6 | 0.75B U206 |
| 7 | BREAKER OUT | 7 | 0.75V U207 |
| 8 | Power boost sol | 8 | 0.75W U208 |
| 9 | main ground | 9 | 0.75B U209 |
| 10 | main ground | 10 | 0.75V U210 |
| 11 | main ground | 11 | 0.75W U211 |
| 12 | main ground | 12 | 0.75B U212 |
| 13 | main ground | 13 | 0.75V U213 |
| 14 | main ground | 14 | 0.75W U214 |
| 15 | main ground | 15 | 0.75B U215 |
| 16 | main ground | 16 | 0.75V U216 |
| 17 | main ground | 17 | 0.75W U217 |
| 18 | main ground | 18 | 0.75B U218 |
| 19 | main ground | 19 | 0.75V U219 |
| 20 | main ground | 20 | 0.75W U220 |
| 21 | main ground | 21 | 0.75B U221 |
| 22 | main ground | 22 | 0.75V U222 |
| 23 | main ground | 23 | 0.75W U223 |
| 24 | main ground | 24 | 0.75B U224 |
| 25 | main ground | 25 | 0.75V U225 |
| 26 | main ground | 26 | 0.75W U226 |
| 27 | main ground | 27 | 0.75B U227 |
| 28 | main ground | 28 | 0.75V U228 |
| 29 | main ground | 29 | 0.75W U229 |
| 30 | main ground | 30 | 0.75B U230 |
| 31 | main ground | 31 | 0.75V U231 |
| 32 | main ground | 32 | 0.75W U232 |
| 33 | main ground | 33 | 0.75B U233 |
| 34 | main ground | 34 | 0.75V U234 |

| CN-54 | | CN-5, 5A, 5B | |
|-------|----------------|--------------|------------|
| 1 | Power boost SW | 1 | 0.75W U201 |
| 2 | Power boost SW | 2 | 0.75L U202 |
| 3 | Power boost SW | 3 | 0.75B U203 |
| 4 | Power boost SW | 4 | 0.75V U204 |
| 5 | Power boost SW | 5 | 0.75W U205 |
| 6 | Power boost SW | 6 | 0.75B U206 |
| 7 | Power boost SW | 7 | 0.75V U207 |
| 8 | Power boost SW | 8 | 0.75W U208 |
| 9 | Power boost SW | 9 | 0.75B U209 |
| 10 | Power boost SW | 10 | 0.75V U210 |
| 11 | Power boost SW | 11 | 0.75W U211 |
| 12 | Power boost SW | 12 | 0.75B U212 |
| 13 | Power boost SW | 13 | 0.75V U213 |
| 14 | Power boost SW | 14 | 0.75W U214 |
| 15 | Power boost SW | 15 | 0.75B U215 |
| 16 | Power boost SW | 16 | 0.75V U216 |
| 17 | Power boost SW | 17 | 0.75W U217 |
| 18 | Power boost SW | 18 | 0.75B U218 |
| 19 | Power boost SW | 19 | 0.75V U219 |
| 20 | Power boost SW | 20 | 0.75W U220 |
| 21 | Power boost SW | 21 | 0.75B U221 |
| 22 | Power boost SW | 22 | 0.75V U222 |
| 23 | Power boost SW | 23 | 0.75W U223 |
| 24 | Power boost SW | 24 | 0.75B U224 |
| 25 | Power boost SW | 25 | 0.75V U225 |
| 26 | Power boost SW | 26 | 0.75W U226 |
| 27 | Power boost SW | 27 | 0.75B U227 |
| 28 | Power boost SW | 28 | 0.75V U228 |
| 29 | Power boost SW | 29 | 0.75W U229 |
| 30 | Power boost SW | 30 | 0.75B U230 |
| 31 | Power boost SW | 31 | 0.75V U231 |
| 32 | Power boost SW | 32 | 0.75W U232 |
| 33 | Power boost SW | 33 | 0.75B U233 |
| 34 | Power boost SW | 34 | 0.75V U234 |

ELECTRICAL CIRCUIT (3/3)



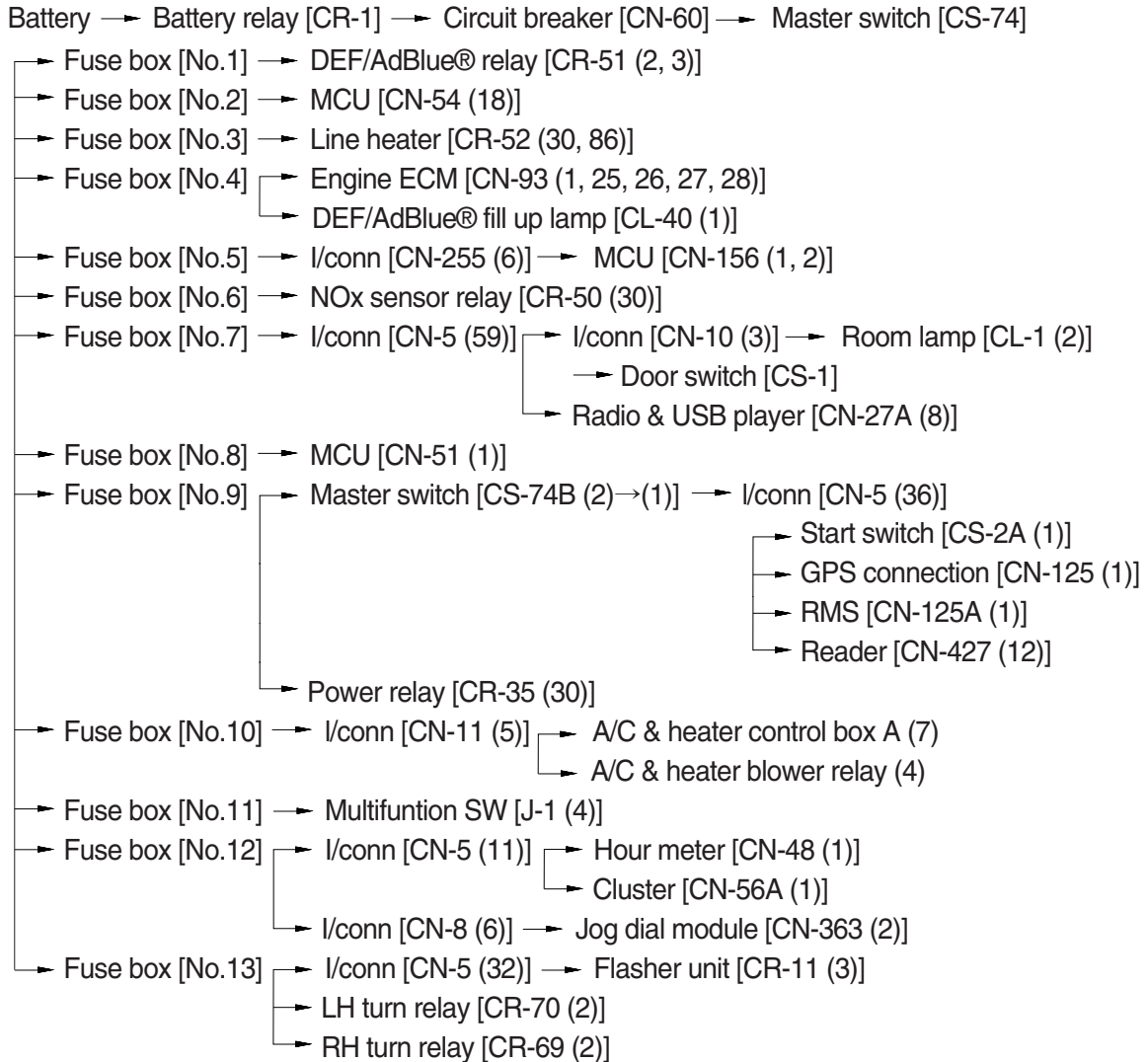
MEMORANDUM

1. POWER CIRCUIT

The negative terminal of battery is grounded to the machine chassis directly.

When the start switch is in the OFF position, the current flows from the positive battery terminal as shown below.

1) OPERATING FLOW



I/conn : Intermediate connector

2) CHECK POINT

| Engine | Start switch | Check point | Voltage |
|--------|--------------|-----------------------------|-----------|
| STOP | OFF | ① - GND (battery 1EA) | 10~12.5 V |
| | | ② - GND (battery 2EA) | 20~25 V |
| | | ③ - GND (battery relay 2EA) | 20~25 V |
| | | ④ - GND (circuit breaker) | 20~25 V |

※ GND : Ground

3. CHARGING CIRCUIT

When the starter is activated and the engine is started, the operator releases the start switch to the ON position.

Charging current generated by operating alternator flows into the battery through the battery relay [CR-1].

The current also flows from alternator to each electrical component and controller through the fuse box.

1) OPERATING FLOW

(1) Warning flow

Alternator [CN-74 (L)] → I/conn [CN-2 (13)] → MCU alternator level [CN-51 (15)] → Cluster charging warning lamp (via CAN interface)

(2) Charging flow

Alternator [CN-74 (B⁺)] → Starter [CN-45 (B⁺)] → Battery relay (M8)

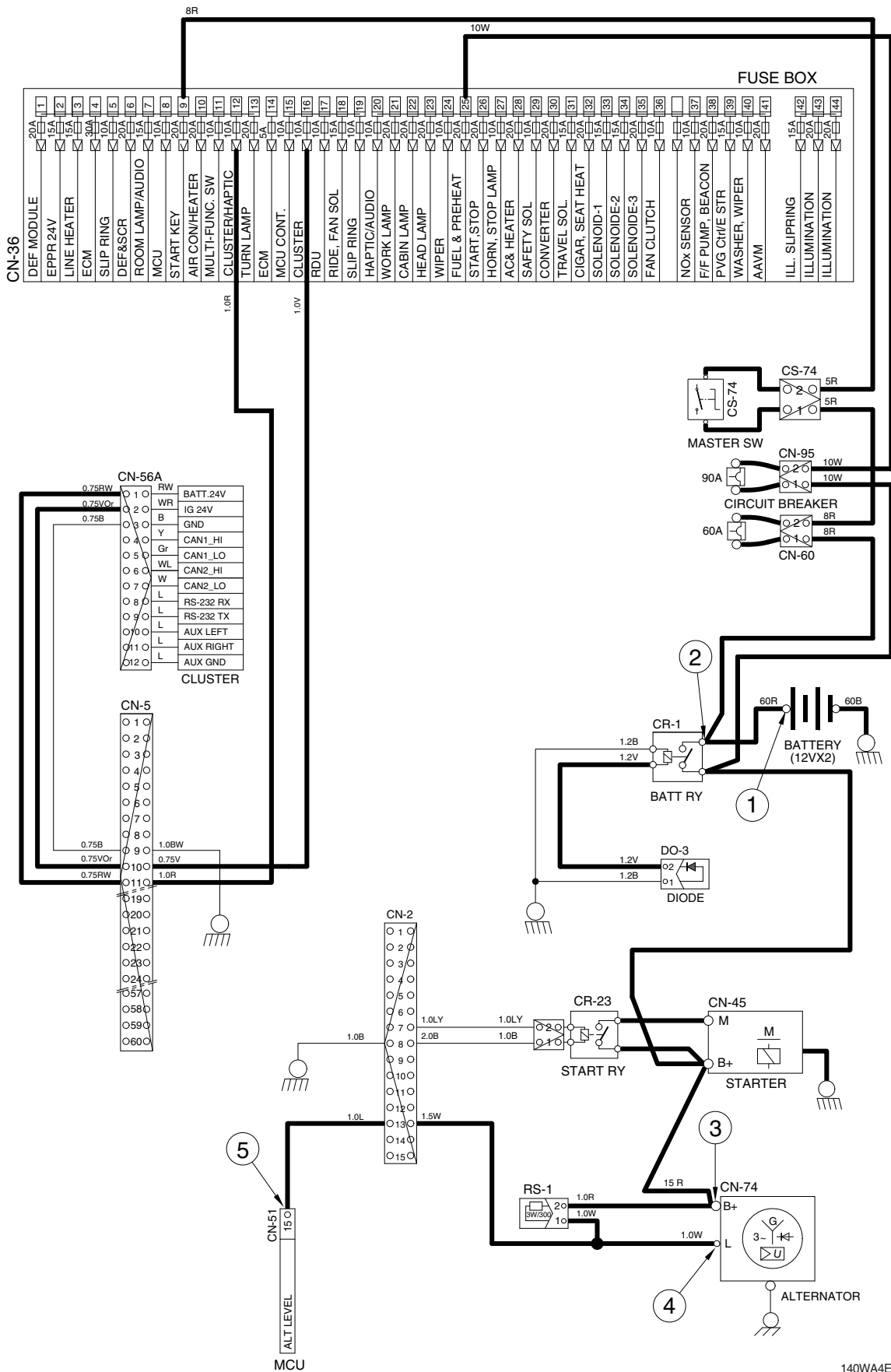
→ Battery (+) terminal
 → Circuit breaker [CN-60] → Master switch [CS-74] → Fuse box [No. 1~13]
 → Circuit breaker [CN-95] → Fuse box [No. 20~41]

2) CHECK POINT

| Engine | Start switch | Check point | Voltage |
|--------|--------------|--|---------|
| Run | ON | ① - GND (battery voltage) ② - GND (battery relay) ③ - GND (alternator B ⁺ terminal) ④ - GND (alternator L terminal) ⑤ - GND (MCU) | 20~30 V |

※ GND : Ground

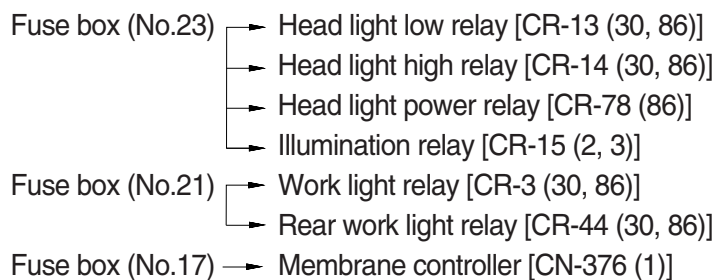
CHARGING CIRCUIT



140WA4EL05

4. HEAD AND WORK LIGHT CIRCUIT

1) OPERATING FLOW



(1) Head light switch ON

- Head light switch ON [CN-376 (13)]
- Head light power relay [CR-78 (85) → (87)]
- Head light low relay [CR-13 (85) → (87)] → Head light ON [CL-3 (1), CL-4 (1)]

(2) Work light switch ON

- Work light switch ON [CN-376 (4)] → Work light relay [CR-3 (85) → (87)]
- I/conn [CN-12 (1)] → Work light ON [CL-5 (2), CL-6 (2)]

(3) Rear work light switch ON

- Work light switch ON [CN-376 (14)] → Rear work light relay [CR-44 (85) → (87)]
- I/conn [CN-2 (2)] → Rear work light ON [CL-24 (1)]

2) CHECK POINT

| Engine | Start switch | Check point | Voltage |
|--------|--------------|---|---------|
| STOP | ON | ① - GND (fuse box) ② - GND (switch power output) ③ - GND (head light relay) ④ - GND (head light) ⑤ - GND (fuse box) ⑥ - GND (switch power output) ⑦ - GND (work light relay) ⑧ - GND (work light) ⑨ - GND (switch power output) ⑩ - GND (rear work light relay) ⑪ - GND (rear work light) | 20~30 V |

※ GND : Ground

5. BEACON LAMP AND CAB LIGHT CIRCUIT

1) OPERATING FLOW

- Fuse box (No.38) → Beacon lamp relay [CR-85 (2, 3)]
- Fuse box (No.22) → Cab light relay [CR-9 (30, 86)]
- Fuse box (No.17) → Membrane controller [CN-376 (1)]

(1) Beacon lamp switch ON

- Beacon lamp switch ON [CN-376 (15)] → Beacon light relay [CR-85 (1) → (5)]
- I/conn [CN-5 (50)] → I/conn [CN-10 (10)] → Beacon lamp ON [CL-7]

(2) Cab light switch ON

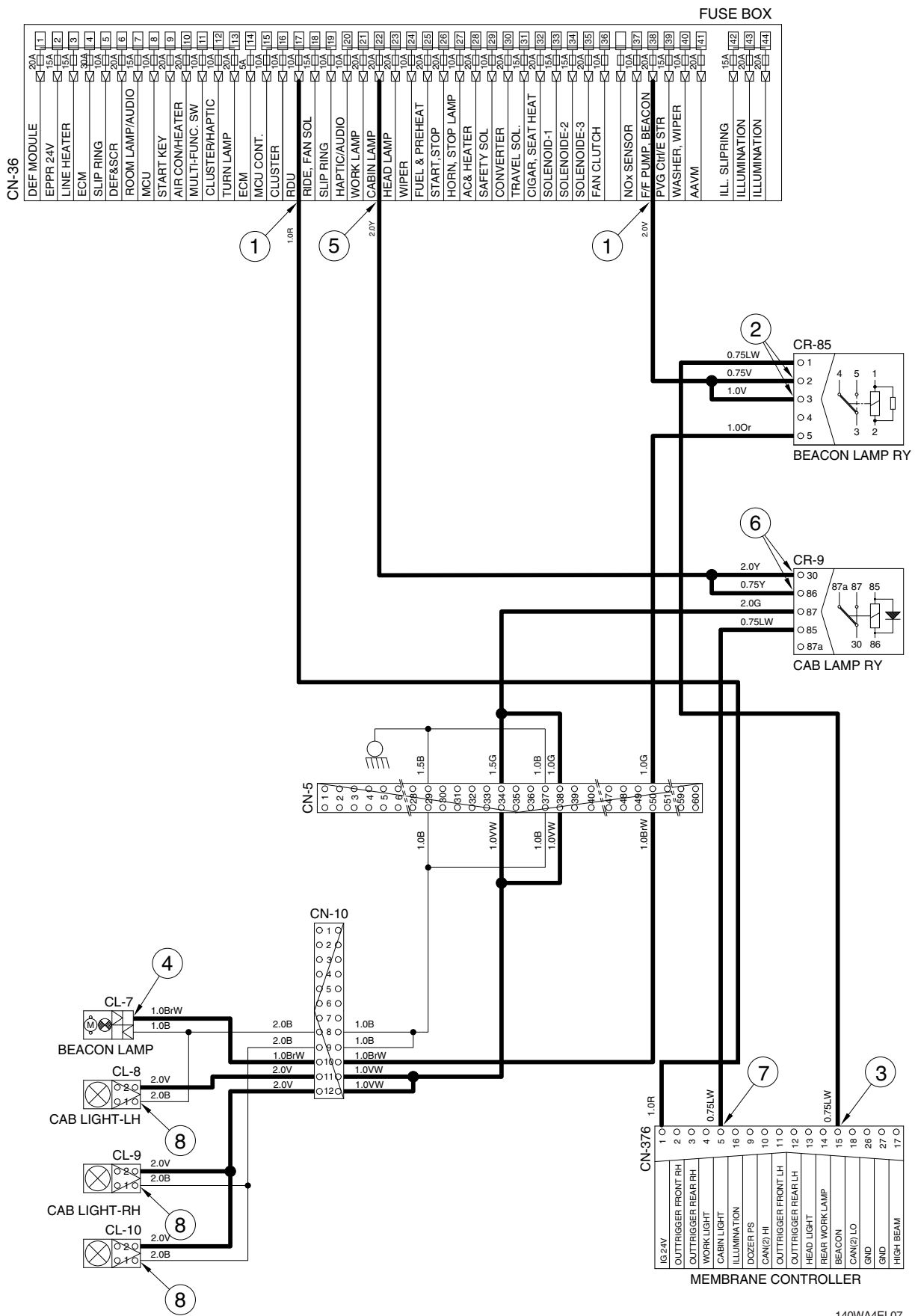
- Cab light switch ON [CN-376 (5)] → Cab lamp relay [CR-9 (85) → (87)]
- I/conn [CN-5 (34, 38)] → I/conn [CN-10 (11)] → Cab light ON [CL-8 (2)]
- I/conn [CN-10 (12)] → Cab light ON [CL-9 (2), CL-10 (2)]

2) CHECK POINT

| Engine | Start switch | Check point | Voltage |
|--------|--------------|--|---------|
| STOP | ON | ① - GND (fuse box) ② - GND (beacon lamp relay) ③ - GND (switch power output) ④ - GND (beacon lamp) ⑤ - GND (fuse box) ⑥ - GND (cab light relay) ⑦ - GND (switch power output) ⑧ - GND (cab light) | 20~25 V |

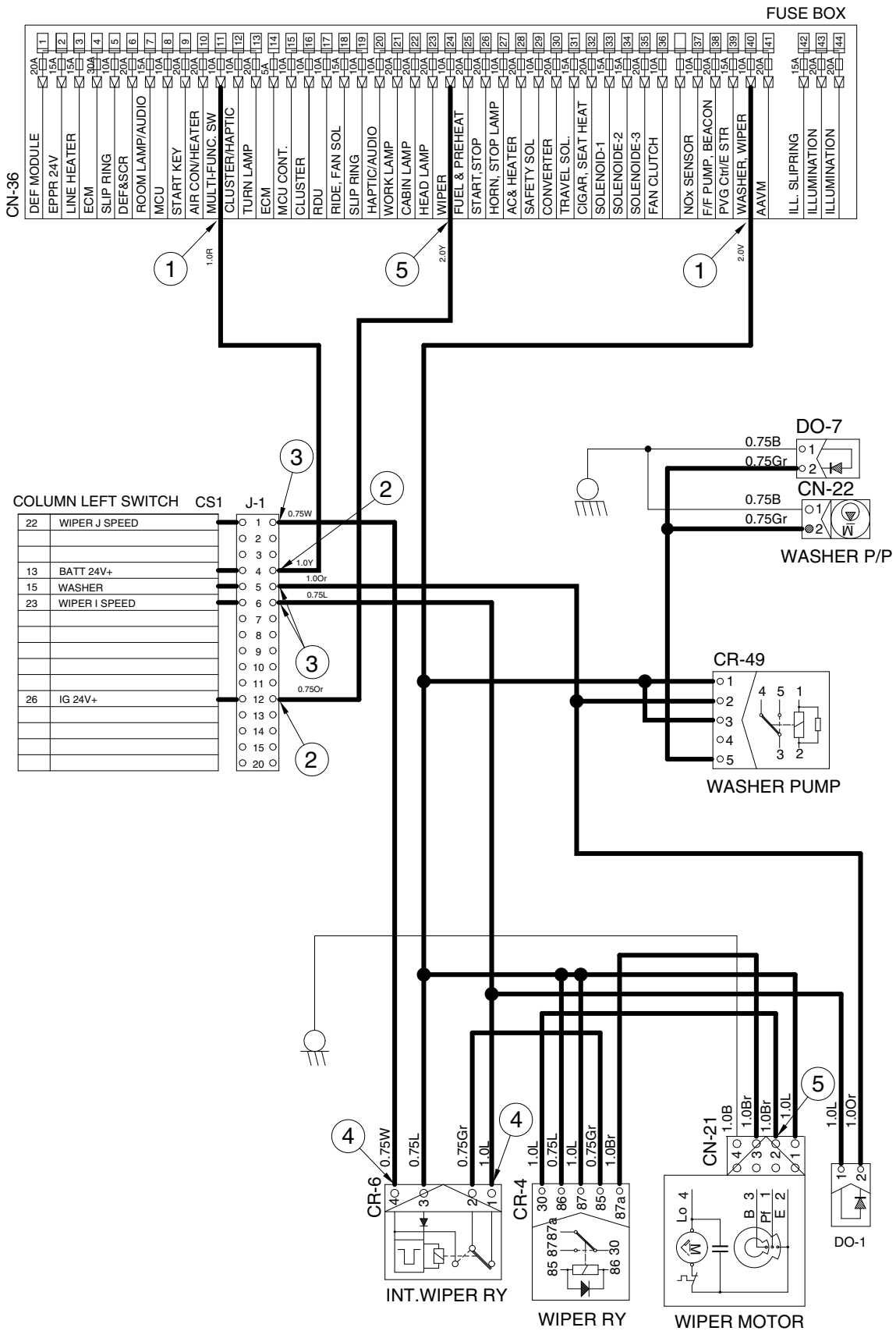
※ GND : Ground

BEACON LAMP AND CAB LIGHT CIRCUIT

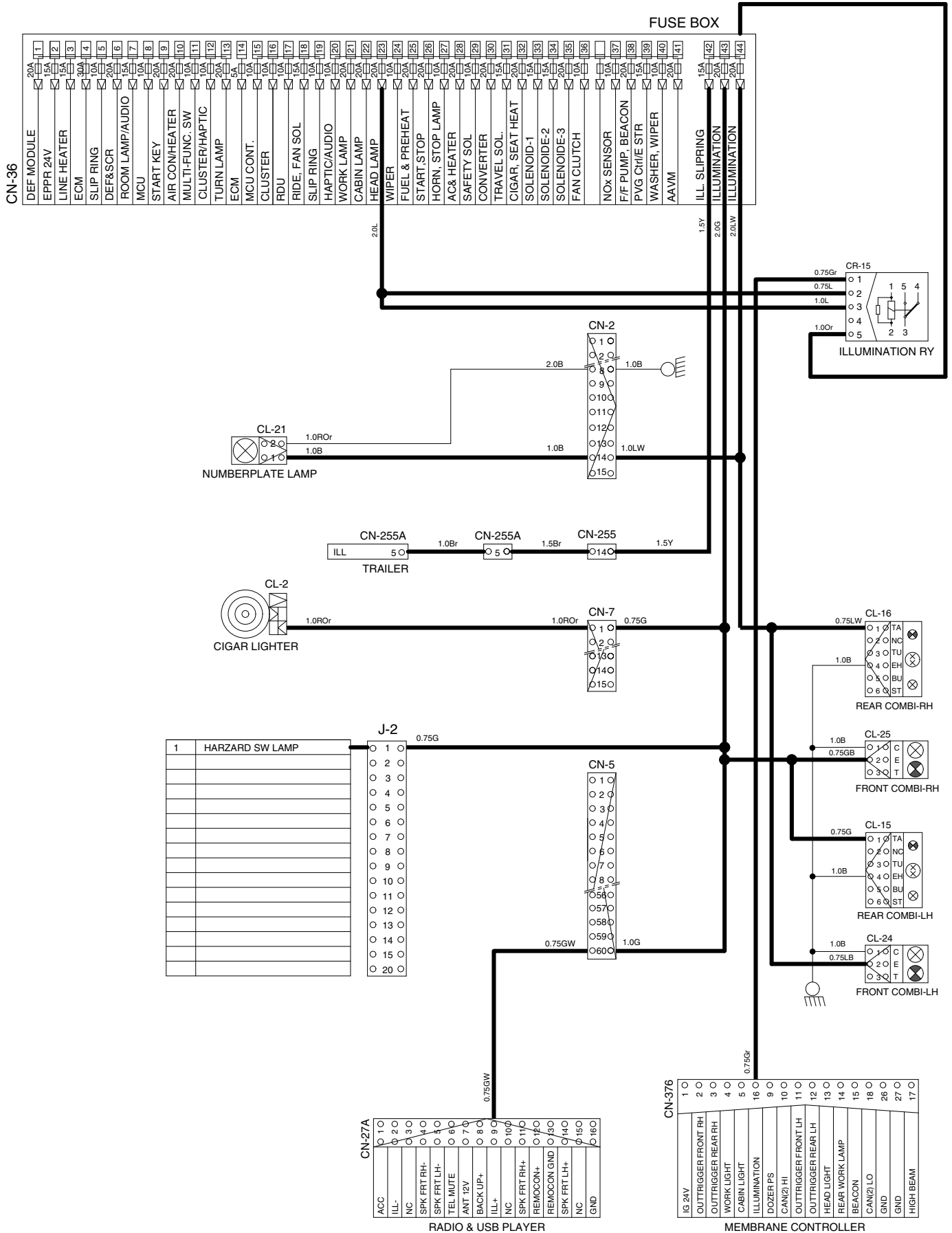


140WA4EL07

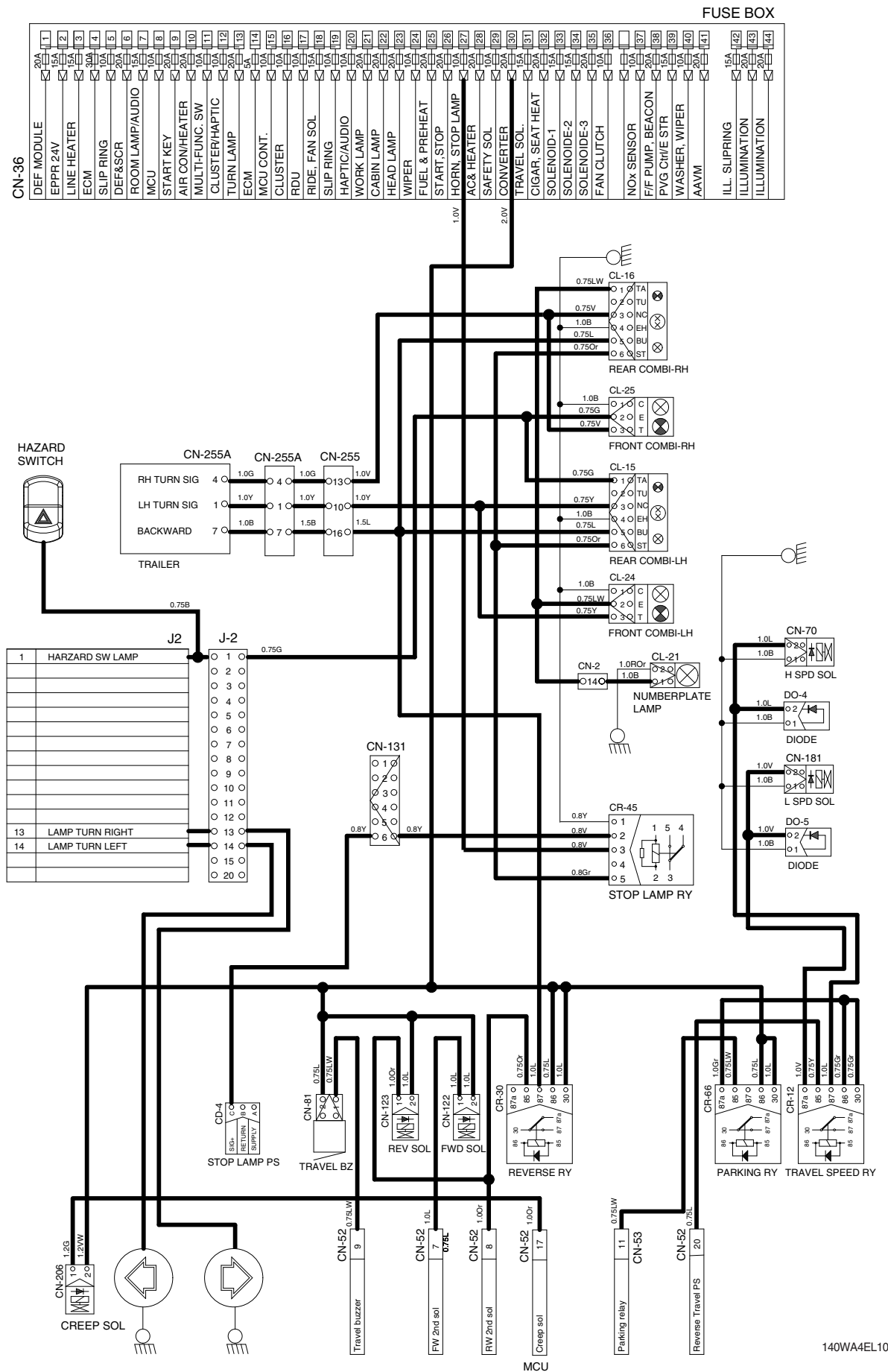
WIPER AND WASHER CIRCUIT



ILLUMINATION CIRCUIT

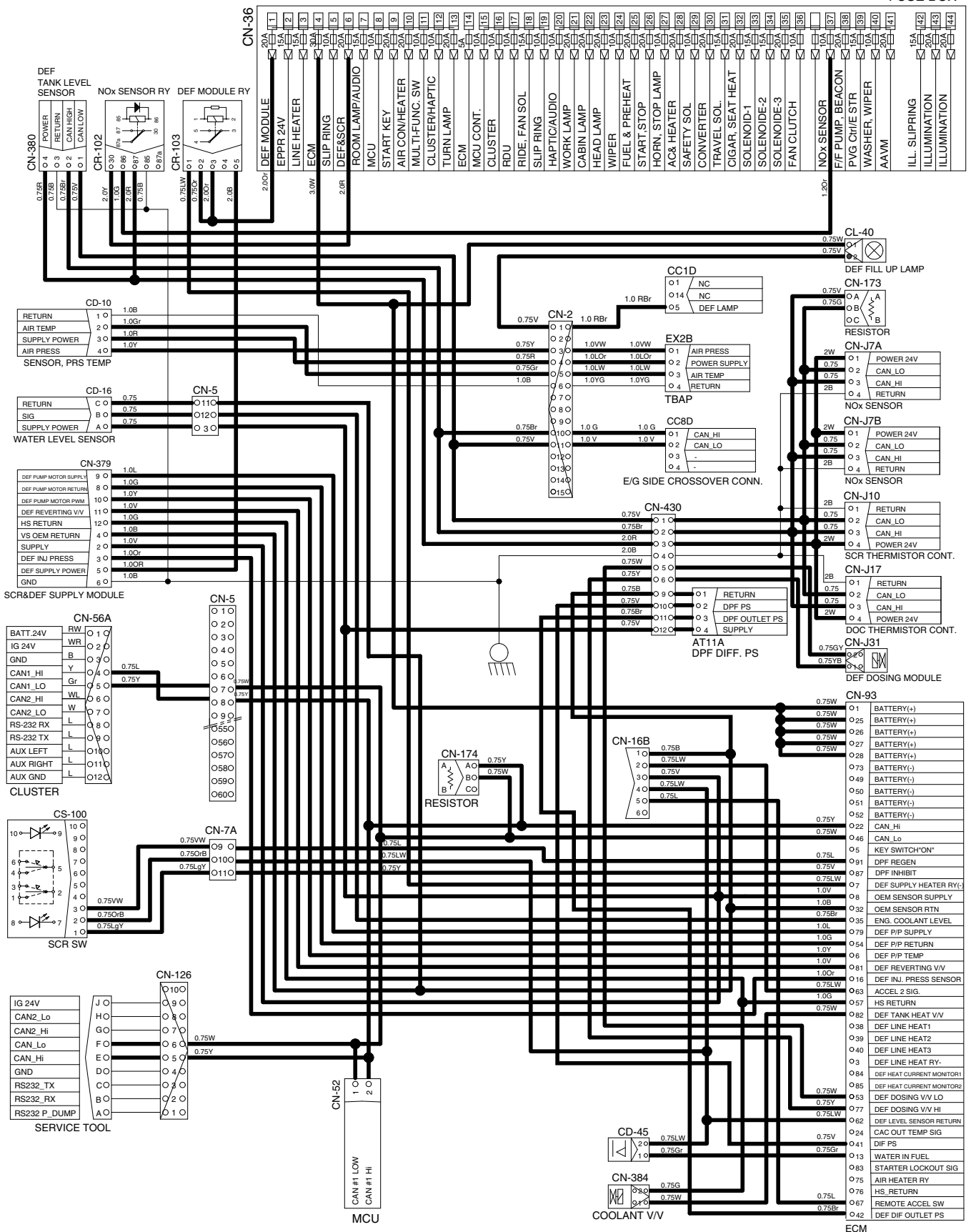


COMBINATION LAMP CIRCUIT



CONTROLLER CIRCUIT

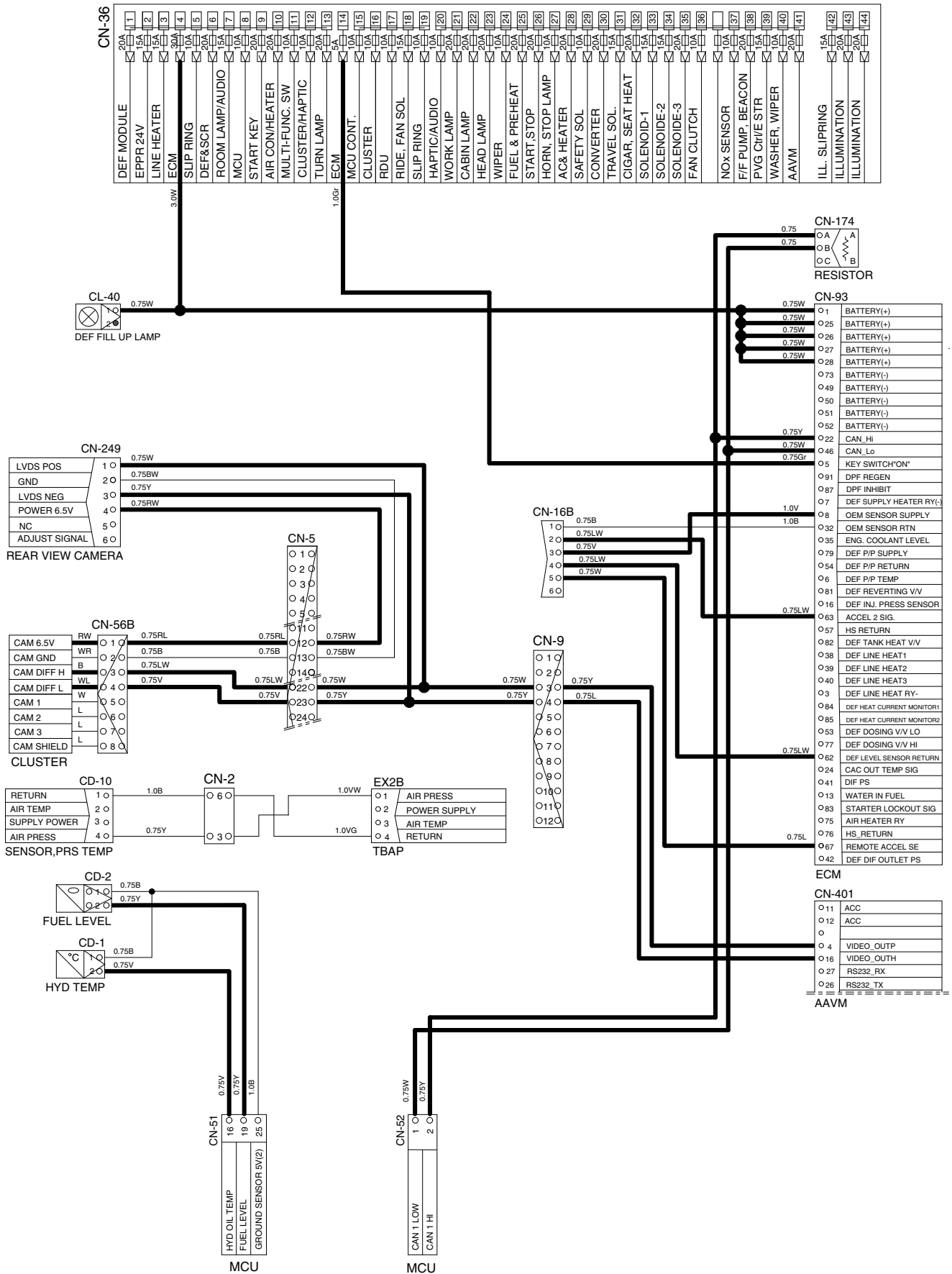
FUSE BOX



140WA4EL11

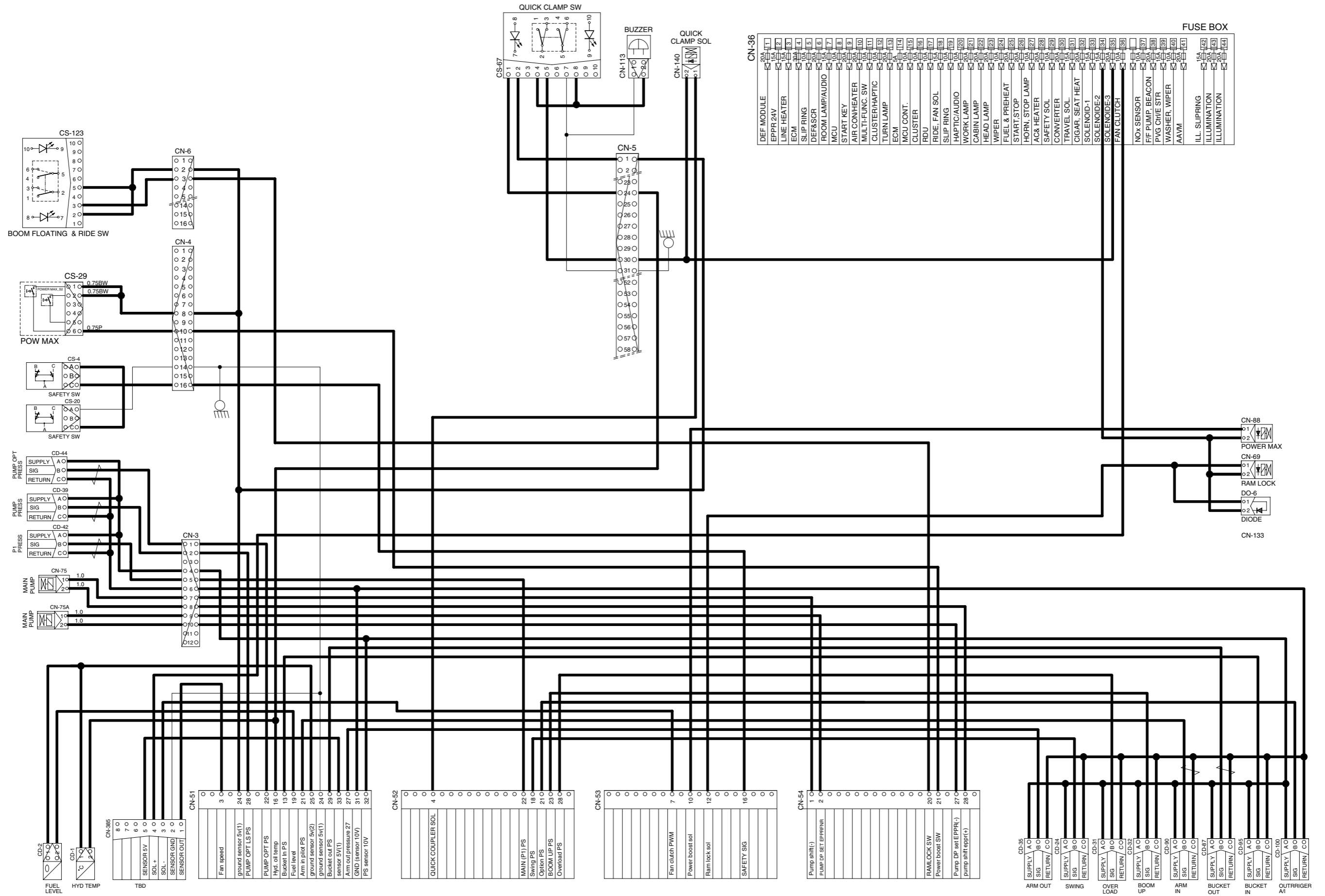
MONITORING CIRCUIT

FUSE BOX

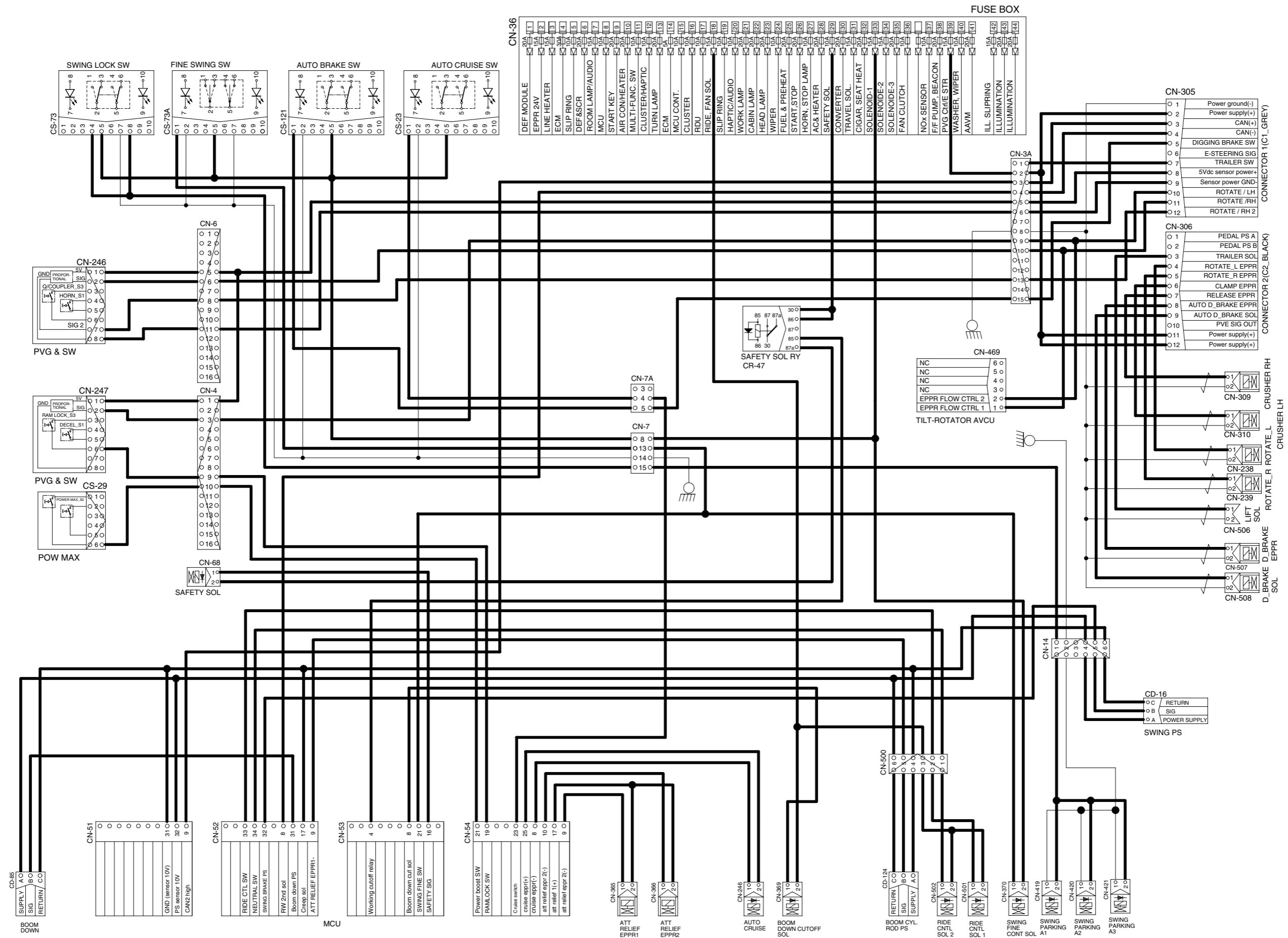


140WA4EL12

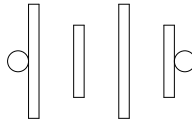
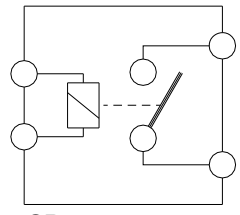
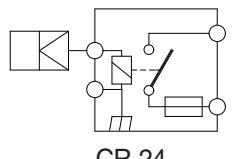
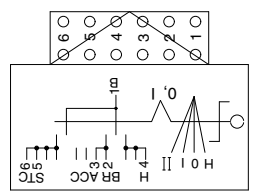
ELECTRIC CIRCUIT FOR HYDRAULIC (1/2)

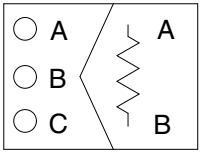
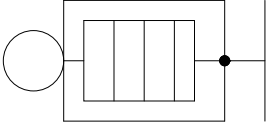
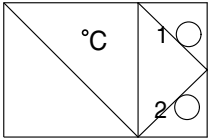
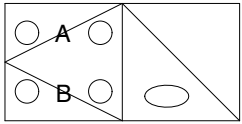
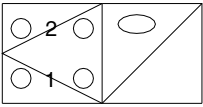
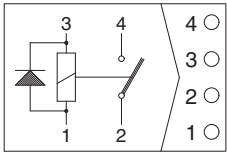


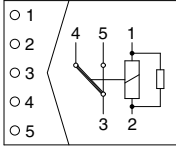
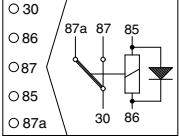
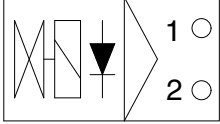
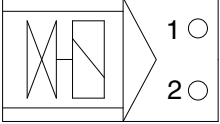
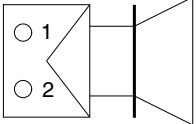
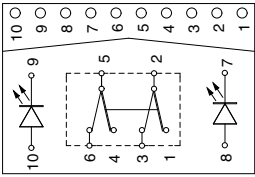
ELECTRIC CIRCUIT FOR HYDRAULIC (2/2)

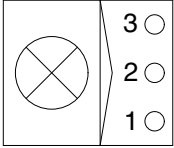
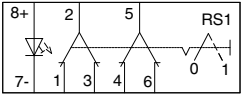
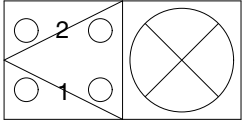
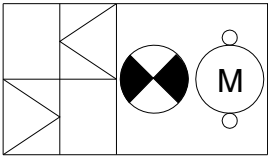
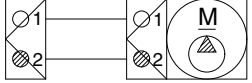
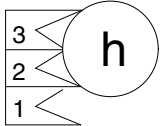


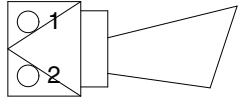
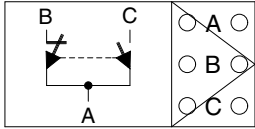
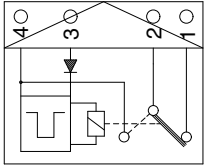
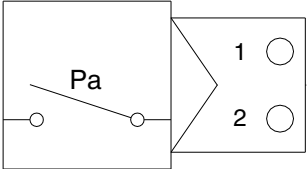
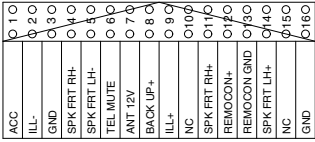
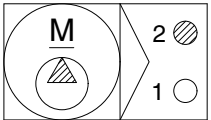
GROUP 3 ELECTRICAL COMPONENT SPECIFICATION

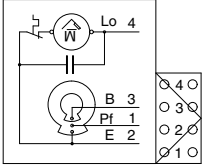
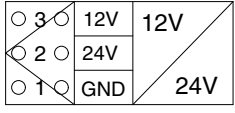
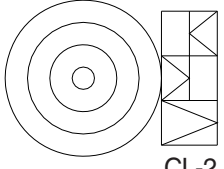
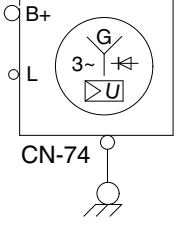
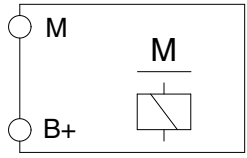
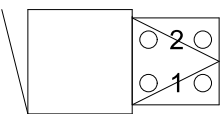
| Part name | Symbol | Specifications | Check | | | | | | |
|---------------------------|--|---|--|-----|--------|-----|--------|-------|----------------------------------|
| Battery |  | 12V × 100Ah (2EA) | ※ Check specific gravity 1.280 over : Over charged 1.280 ~ 1.250 : Normal 1.250 below : Recharging | | | | | | |
| Battery relay |  <p style="text-align: center;">CR-1</p> | Rated load : 24V 100A (continuity) 1000A (30 seconds) | ※ Check coil resistance(M4 to M4) Normal : About 50Ω ※ Check contact Normal : ∞Ω | | | | | | |
| Glow plug relay |  <p style="text-align: center;">CR-24</p> | 24V 200A | ※ Check contact Normal : 0.942Ω (For terminal 1-GND) | | | | | | |
| Start key |  <p style="text-align: center;">CS-2A</p> | B-BR : 24V 1A B-ACC : 24V 10A B-ST : 24V 40A | ※ Check contact OFF : ∞Ω (for each terminal) ON : 0Ω (for terminal 1-3 and 1-2) START : 0Ω (for terminal 1-6) | | | | | | |
| Pressure sensor | <table border="1" style="margin: auto;"> <tr><td>○ A</td><td>SUPPLY</td></tr> <tr><td>○ B</td><td>SIG</td></tr> <tr><td>○ C</td><td>RETURN</td></tr> </table> <p>CD-3 CD-5 CD-16 CD-24 CD-31 CD-32 CD-35 CD-37 CD-38 CD-39 CD-42 CD-44 CD-71 CD-73 CD-74 CD-85 CD-87 CD-90 CD-95 CD-100 CD-101 CD-102 CD-124 CD-145 CD-146 CD-156</p> | ○ A | SUPPLY | ○ B | SIG | ○ C | RETURN | 8~30V | ※ Check contact Normal : 0.1Ω |
| ○ A | SUPPLY | | | | | | | | |
| ○ B | SIG | | | | | | | | |
| ○ C | RETURN | | | | | | | | |
| Stop lamp pressure sensor | <table border="1" style="margin: auto;"> <tr><td>○ A</td><td>SUPPLY</td></tr> <tr><td>○ B</td><td>RETURN</td></tr> <tr><td>○ C</td><td>SIG</td></tr> </table> <p style="text-align: center;">CD-4</p> | ○ A | SUPPLY | ○ B | RETURN | ○ C | SIG | 8~30V | ※ Check contact Normal : 0.1Ω |
| ○ A | SUPPLY | | | | | | | | |
| ○ B | RETURN | | | | | | | | |
| ○ C | SIG | | | | | | | | |

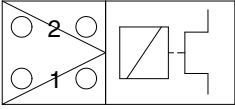
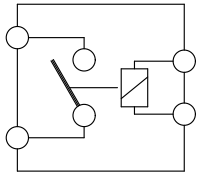
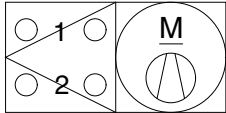
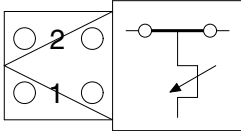
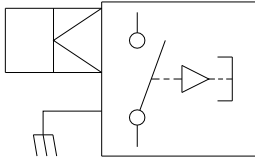
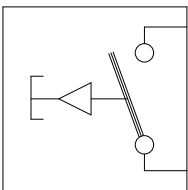
| Part name | Symbol | Specifications | Check |
|--------------------------------|--|----------------|--|
| Resistor |  <p>CN-173 CN-174</p> | 3W | ※ Check resistance A-B : 120Ω |
| Glow plug |  <p>CN-80</p> | 24V 200A | ※ Check resistance 0.25~0.12Ω |
| Temperature sensor (hydraulic) |  <p>CD-1</p> | - | ※ Check resistance 50°C : 804Ω 80°C : 310Ω 100°C : 180Ω |
| Fan speed sensor |  <p>CD-52</p> | - | - |
| Fuel level sender |  <p>CD-2</p> | - | ※ Check resistance Full : 50Ω 6/12 : 350Ω 11/12 : 100Ω 5/12 : 400Ω 10/12 : 150Ω 4/12 : 450Ω 9/12 : 200Ω 3/12 : 500Ω 8/12 : 250Ω 2/12 : 550Ω 7/12 : 300Ω 1/12 : 600Ω Empty warning : 700Ω |
| Relay (air con blower) |  | 24V 16A | ※ Check resistance Normal : About 200Ω (for terminal 1-3) 0 Ω (for terminal 2-4) |

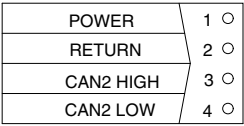
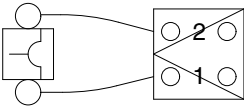
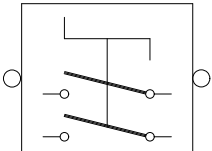
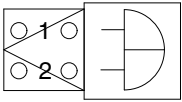
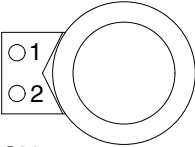
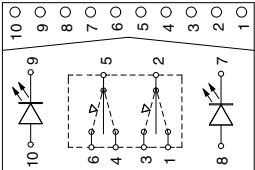
| Part name | Symbol | Specifications | Check |
|-----------------------|---|----------------|--|
| Relay |  <p>CR-2 CR-5 CR-15 CR-36 CR-39 CR-45 CR-49 CR-51 CR-69 CR-70 CR-81 CR-82 CR-83 CR-84 CR-85</p> | 24V 16A | ※ Check resistance Normal : About 160 Ω (for terminal 1-2) 0 Ω (for terminal 3-4) ∞ Ω (for terminal 3-5) |
| Relay |  <p>CR-3 CR-4 CR-7 CR-9 CR-12 CR-13 CR-14 CR-29 CR-30 CR-35 CR-44 CR-46 CR-47 CR-50 CR-52 CR-66 CR-78</p> | 24V 16A | ※ Check resistance Normal : About 160 Ω (for terminal 85-86) 0 Ω (for terminal 30-87a) ∞ Ω (for terminal 30-87) |
| Solenoid valve |  <p>CN-66 CN-68 CN-69 CN-70 CN-88 CN-122 CN-123 CN-140 CN-181 CN-197 CN-206 CN-214 CN-216 CN-218 CN-220 CN-370 CN-419 CN-420 CN-421 CN-501 CN-502 CN-506</p> | 24V 1A | ※ Check resistance Normal : 15~25 Ω (for terminal 1-2) |
| EPPR valve |  <p>CN-75 CN-75A CN-154 CN-155 CN-238 CN-239 CN-246 CN-309 CN-310 CN-365 CN-366 CN-369 CN-378 CN-503 CN-507 CN-508</p> | 700mA | ※ Check resistance Normal : 15~25 Ω (for terminal 1-2) |
| Speaker |  <p>CN-23(LH) CN-23(RH)</p> | 20W | ※ Check resistance Normal : A few Ω |
| Switch (locking type) |  <p>CS-23 CS-67 CS-73 CS-73A CS-121 CS-125</p> | 24V 1.5A | ※ Check contact Normal ON : 0 Ω (for terminal 2-3, 5-6) ∞ Ω (for terminal 1-2, 4-5) OFF : ∞ Ω (for terminal 2-3, 5-6) 0 Ω (for terminal 1-2, 4-5) |

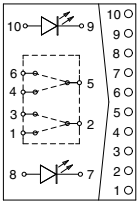
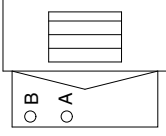
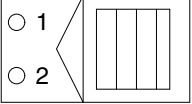

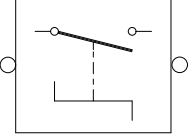
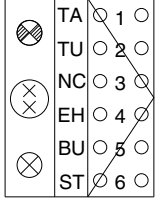
| Part name | Symbol | Specifications | Check |
|---|--|----------------------|---|
| Room lamp |  CL-1 | 24V 10W | ※ Check disconnection Normal : 1.0Ω ON : 0Ω (For terminal 1-2) ∞Ω (For terminal 1-3) OFF : ∞Ω (For terminal 1-2) 0Ω (For terminal 1-3) |
| Hazard switch |  | 24V 1.5A | ※ Check contact Normal ON : 0Ω (For terminal 2-3, 5-6) OFF : ∞Ω (For terminal 2-3, 5-6) |
| Work lamp, Cab lamp, Number plate lamp |  CL-5 CL-6 CL-8 CL-9 CL-10 CL-21 CL-32 | 24V 65W (H3 Type) | ※ Check disconnection Normal : 1.2Ω |
| Beacon lamp |  CL-7 | 21V 70W (H1 Type) | ※ Check disconnection Normal : A fewΩ |
| Fuel filler pump |  | 24V 10A 35 l /min | ※ Check resistance Normal : 1.0Ω |
| Hour meter |  CN-48 | 16~32V | ※ Check operation Supply power(24V) to terminal No.2 and connect terminal No.1 and ground |

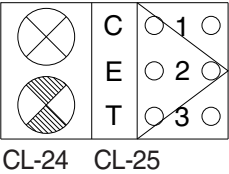
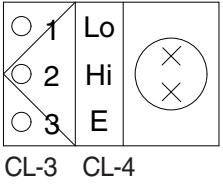
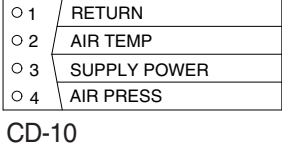

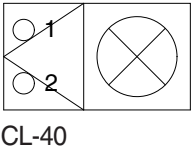
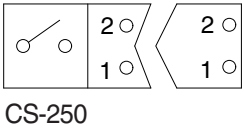
| Part name | Symbol | Specifications | Check |
|--------------------|--|-----------------------|---|
| Horn |  CN-20 CN-25 | DC22~28V 2A | ※ Check operation Supply power (24V) to each terminal and connect ground. |
| Safety switch |  CS-4 CS-20 | 24V 15A (N.C TYPE) | ※ Check contact Normal : 1.0Ω ON : 0Ω (for terminal A-B) ∞Ω (for terminal A-C) OFF : ∞Ω (for terminal A-B) 0Ω (for terminal A-C) |
| Int wiper relay |  CR-6 | - | - |
| Receiver dryer |  CN-29 | 24V 2.5A | ※ Check contact Normal : ∞Ω |
| Radio & USB player |  CN-27A | 24V 2A | ※ Check voltage 20~25V (for terminal 1-3, 3-8) |
| Washer pump |  CN-22 | 24V 3.8A | ※ Check contact Normal : 10.7Ω (for terminal 1-2) |

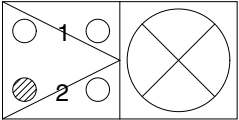
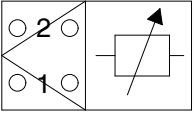
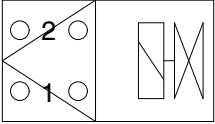
| Part name | Symbol | Specifications | Check |
|-----------------|--|----------------|---|
| Wiper motor |  <p>CN-21</p> | 24V 2A | ※ Check disconnection Normal : 7Ω (for terminal 2-4) |
| DC/DC converter |  <p>CN-138</p> | 12V 3A | ※ Check voltage 24V (for terminal 1-2) 12V (for terminal 1-3) |
| Cigar lighter |  <p>CL-2</p> | 24V 5A 1.4W | ※ Check coil resistance Normal : About 1MΩ ※ Check contact Normal : ∞Ω Operating time : 5~15sec |
| Alternator |  <p>CN-74</p> | 24V 95A | ※ Check contact Normal : 0Ω (for terminal B ⁺ -L) Normal : 24~27.5V |
| Starter |  <p>CN-45</p> | 24V 4.8kW | ※ Check contact Normal : 0.1Ω |
| Travel alarm |  <p>CN-81</p> | 24V 0.5A | ※ Check contact Normal : 5.2Ω |

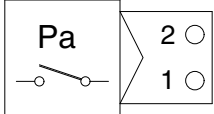
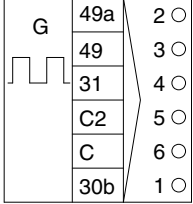
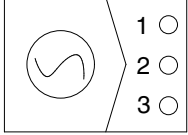
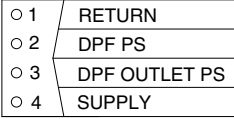
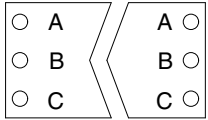
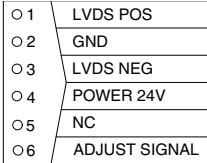
| Part name | Symbol | Specifications | Check |
|--|---|-------------------|--|
| Air conditioner compressor |  <p>CN-28</p> | 24V 79W | ※ Check contact Normal : 13.4Ω |
| Start relay |  <p>CR-23</p> | 24V 300A | ※ Check contact Normal : 0.94Ω (for terminal 1-2) |
| Blower motor |  | 24V 9.5A | ※ Check resistance Normal : 2.5Ω (for terminal 1-2) |
| Duct sensor (switch) |  | 1°C OFF 4°C ON | ※ Check resistance Normal : 0Ω (for terminal 1-2), the atmosphere temp : Over 4°C |
| Door switch |  <p>CS-1</p> | 24V 2W | ※ Check resistance Normal : About 5MΩ |
| Switch (power max, one touch decel, horn, breaker) |  | 24V 6A | ※ Check resistance Normal : ∞Ω |

| Part name | Symbol | Specifications | Check |
|--------------------|--|----------------------------|---|
| Radar |  <p>CN-441</p> | - | - |
| Circuit breaker |  <p>CN-60 CN-95</p> | CN-60 : 60A CN-95 : 90A | ※ Check disconnection Normal : 0Ω (connect ring terminal and check resist between terminal 1 and 2) |
| Master switch |  <p>CS-74B</p> | 6-36V | ※ Check disconnection Normal : 0.1Ω |
| Quick clamp buzzer |  <p>CN-113</p> | 24V 200mA 107 ± 4dB | - |
| Socket |  <p>CN-139</p> | 12V 10A | - |
| SCR switch |  <p>CS-100</p> | 24V 8A | ※ Check contact Normal OFF : ∞Ω (for terminal 2-1, 2-3, 4-5, 5-6) |

| Part name | Symbol | Specifications | Check |
|-----------------------------|---|----------------|--|
| Select switch |  <p>CS-120, CS-122, CS-123</p> | 24V 8A | ※ Check contact Normal 0 or : $\infty \Omega$ (for terminal 2-1, 2-3, 4-5, 5-6) |
| Fuel heater |  <p>CN-96</p> | - | - |
| DEF/AdBlue® line heater |  <p>CN-381 CN-382 CN-383</p> | - | - |
| WIF sensor |  <p>CD-45</p> | - | ※ Check disconnection Normal : 68.8~4.94 Ω |
| Master switch |  <p>CS-74</p> | 6 - 36V | ※ Check disconnection Normal : 0.1 Ω |
| Rear combination lamp-LH,RH |  <p>CL-15 CL-16</p> | 24V 21W×2 LED | ※ Check resistance Normal : 4.8 Ω (For terminal 1-4) Normal : 2.1 Ω (For terminal 2-4, 4-5, 4-6) |

| Part name | Symbol | Specifications | Check |
|--|--|--------------------|---|
| Front combination lamp-LH, RH |  <p>CL-24 CL-25</p> | 24V 21W 24V 10W | ※ Check resistance Normal : 4.8Ω (For terminal 1-2) Normal : 2.1Ω (For terminal 2-3) |
| Head lamp -LH, RH |  <p>CL-3 CL-4</p> | 24V 75/70W | ※ Check resistance Normal : 1.0Ω (For terminal 1-3, 2-3) Normal : 1.5Ω (For terminal 1-2) |
| Pressure temperature sensor |  <p>CD-10</p> | 5.0V 0.2A | ※ Check contact Normal 0Ω (for terminal 1-2, 47.5Ω) ∞Ω (for terminal 3-1, 1kΩ) ∞Ω (for terminal 4-1, 1kΩ) |
| Sensor (NOx, SCR, DOC) |  <p>CN-J7A CN-J7B CN-J10 CN-J17</p> | - | - |
| DEF/AdBlue® fill up warning lamp (LED) |  <p>CL-40</p> | - | - |
| Seat belt switch |  <p>CS-250</p> | - | - |

| Part name | Symbol | Specifications | Check | | | | | | | | |
|---|--|----------------|---|------|--------------|-----|----------|-----|---------|---|---|
| DEF/AdBlue® full lamp |  CL-40 | - | - | | | | | | | | |
| DEF lamp | <table border="1" data-bbox="432 593 746 712"> <tr> <td>○ 1</td> <td>NC</td> </tr> <tr> <td>○ 14</td> <td>NC</td> </tr> <tr> <td>○ 5</td> <td>DEF LAMP</td> </tr> </table> CCID | ○ 1 | NC | ○ 14 | NC | ○ 5 | DEF LAMP | - | - | | |
| ○ 1 | NC | | | | | | | | | | |
| ○ 14 | NC | | | | | | | | | | |
| ○ 5 | DEF LAMP | | | | | | | | | | |
| Air conditioner temperature sensor (incar, ambient) |  | - | - | | | | | | | | |
| EPPR valve |  CN-384 CN-J31 | 24V 700mA | ※ Check resistance Normal : 15~25Ω (For terminal 1-2) | | | | | | | | |
| DEF/AdBlue® tank level sensor | <table border="1" data-bbox="443 1420 715 1554"> <tr> <td>○ 1</td> <td>POWER</td> </tr> <tr> <td>○ 2</td> <td>RETURN</td> </tr> <tr> <td>○ 3</td> <td>CAN HIGH</td> </tr> <tr> <td>○ 4</td> <td>CAN LOW</td> </tr> </table> CN-380 | ○ 1 | POWER | ○ 2 | RETURN | ○ 3 | CAN HIGH | ○ 4 | CAN LOW | - | - |
| ○ 1 | POWER | | | | | | | | | | |
| ○ 2 | RETURN | | | | | | | | | | |
| ○ 3 | CAN HIGH | | | | | | | | | | |
| ○ 4 | CAN LOW | | | | | | | | | | |
| TBAP | <table border="1" data-bbox="424 1693 746 1821"> <tr> <td>○ 1</td> <td>AIR PRESS</td> </tr> <tr> <td>○ 2</td> <td>POWER SUPPLY</td> </tr> <tr> <td>○ 3</td> <td>AIR TEMP</td> </tr> <tr> <td>○ 4</td> <td>RETURN</td> </tr> </table> EX2B | ○ 1 | AIR PRESS | ○ 2 | POWER SUPPLY | ○ 3 | AIR TEMP | ○ 4 | RETURN | - | - |
| ○ 1 | AIR PRESS | | | | | | | | | | |
| ○ 2 | POWER SUPPLY | | | | | | | | | | |
| ○ 3 | AIR TEMP | | | | | | | | | | |
| ○ 4 | RETURN | | | | | | | | | | |

| Part name | Symbol | Specifications | Check |
|---------------------------|---|---------------------------|---|
| Dozer act pressure switch |  <p>CD-50</p> | N.O type | ※ Check resistance Normal : ∞ Ω (open) |
| Flasher unit |  <p>CR-11</p> | 24V 85~190 C/M 50dB | - |
| Speed sensor |  <p>CD-46</p> | - | - |
| DEF Dif pressure sensor |  <p>AT11A</p> | - | - |
| Smart button |  <p>CS-2B</p> | - | - |
| Camera |  <p>CN-249 CN-402 CN-403 CN-404 CN-405</p> | - | - |

GROUP 4 CONNECTORS

1. CONNECTOR DESTINATION

| Connector number | Type | No. of pin | Destination | Connector part No. | |
|------------------|-----------|------------|--|--------------------|------------------|
| | | | | Female | Male |
| CN-2 | DELPHI | 15 | I/conn (Frame harness-Engine harness) | 2-85262-1 | 368301-1 |
| CN-3 | TYCO | 12 | I/conn (Frame harness-Engine harness) | 174661-2 | 368537-1 |
| CN-3A | AMP/TYCO | 12 | I/conn (Frame harness-PVG harness) | 2-85262-1 | 368301-1 |
| CN-4 | AMP | 16 | I/conn (Console harness LH-Frame harness) | 368047-1 | S816-116002 |
| CN-5 | DEUTSCH | 60 | I/conn (Side harness RH-Frame harness) | DRB16-60SAE-L018 | DRB12-60PAE-L018 |
| CN-6 | AMP | 16 | I/conn (Console harness RH-Frame harness) | 368047-1 | S816-116002 |
| CN-7 | AMP | 15 | I/conn (Console harness RH-Frame harness) | 2-85262-1 | 368301-1 |
| CN-7A | AMP | 12 | I/conn (Console harness RH-Frame harness) | 174661-2 | 368537-1 |
| CN-8 | AMP | 10 | I/conn (Console harness RH-Frame harness) | S816-010002 | S816-110002 |
| CN-9 | DEUTSCH | 12 | I/conn (Frame harness-AAVM harness) | DT06-12S | DT04-12PA-P021 |
| CN-10 | DEUTSCH | 12 | I/conn (Cab harness-Side harness RH) | DT06-12S-EP06 | DT04-12PA-P021 |
| CN-11 | DEUTSCH | 8 | Air conditioner harness | DT06-8S-EP06 | - |
| CN-12 | DEUTSCH | 2 | I/conn (Frame harness-Boom wire harness) | DT06-2S-EP06 | DT04-2P-E005 |
| CN-14 | DEUTSCH | 6 | I/conn (Frame harness-swing parking harness) | DT06-6S-EP06 | DT04-6P-EP06 |
| CN-16 | AMP | 6 | Emergency engine start & speed control | S816-006002 | - |
| CN-16A, B | AMP | 6 | Emergency engine start & speed control | - | S816-106002 |
| CN-20 | DEUTSCH | 2 | Horn | DT06-2S-EP06 | - |
| CN-21 | DEUTSCH | 4 | Wiper motor | DT06-4S-EP06 | - |
| CN-22 | KET | 2 | Washer pump | MG640605 | - |
| CN-23 | KET | 2 | Speaker-LH | MG610070 | - |
| CN-24 | KET | 2 | Speaker-RH | MG610070 | - |
| CN-25 | DEUTSCH | 2 | Horn | DT06-2S-EP06 | - |
| CN-27A | KUM | 16 | Radio & USB player | PK145-16017 | - |
| CN-27B | AMP | 8 | USB player | - | 174984-2 |
| CN-28 | KET | 2 | Aircon compressor | MG610320 | - |
| CN-29 | KET | 2 | Receiver dryer | MG640795 | - |
| CN-31 | - | 2 | Fuse 1 | - | 174352-2 |
| CN-32 | - | 2 | Fuse 1 | - | 174352-2 |
| CN-36 | TYCO | - | Fuse box (micro relay) | - | 3-1393292-8 |
| CN-45 | RING-TERM | - | Starter motor B+ /G terminal | S820-410000 | - |
| CN-45 | RING-TERM | - | Starter motor M terminal | ST710246-2 | - |
| CN-48 | KET | 1 | Service meter | 2-520193-2 | - |
| CN-51 | TE | 34 | MCU | 2-1437285-3 | - |
| CN-52 | TE | 34 | MCU | 4-1437290-1 | - |
| CN-53 | TE | 26 | MCU | 1473416-1 | - |

| Connector number | Type | No. of pin | Destination | Connector part No. | |
|------------------|-------------|------------|--|--------------------|----------------|
| | | | | Female | Male |
| CN-54 | TE | 34 | MCU | 4-1437290-0 | - |
| CN-56A | AMP | 12 | Cluster | - | 174663-2 |
| CN-56B | AMP | 8 | Cluster | - | 174984-2 |
| CN-60 | YAZAKI | 2 | Circuit breaker | - | 7222-4220-30 |
| CN-61 | DEUTSCH | 4 | Fuel filler pump | DT06-4S-EP06 | DT04-4P |
| CN-68 | DEUTSCH | 2 | Safety solenoid | DT06-2S-EP06 | - |
| CN-69 | DEUTSCH | 2 | Ram lock solenoid | DT06-2S-EP06 | - |
| CN-70 | DEUTSCH | 2 | Travel high solenoid | DT06-2S-EP06 | - |
| CN-74 | RING-TERM | 1 | Alternator "L" terminal | MG820-105000 | - |
| CN-74 | RING-TERM | 1 | Alternator "B+" terminal | MG820-108000 | - |
| CN-74 | RING-TERM | 1 | Alternator "G" terminal | MG820-306001 | - |
| CN-75 | DEUTSCH | 2 | Main pump shift EPPR valve | S816-002002 | - |
| CN-75A | DEUTSCH | 2 | Main pump DP EPPR valve | DT06-2S-EP06 | - |
| CN-80 | RING-TERM | - | Glow plug | S820-406001 | - |
| CN-81 | DEUTSCH | 2 | Travel buzzer solenoid | DT06-2S-EP06 | - |
| CN-88 | DEUTSCH | 2 | Power max solenoid | DT06-2S-EP06 | - |
| CN-93 | DELPHI | 96 | To ECU | 13964577 | - |
| CN-95 | YAZAKI | 2 | Circuit breaker | - | 722-4220-30 |
| CN-96 | - | 2 | Fuel warmer | 1530 0027 | - |
| CN-100 | KET | 1 | Battery earth | MG640994-5 | - |
| CN-113 | KET | 2 | Quick clamp buzzer | MG651205-5 | - |
| CN-122 | DEUTSCH | 2 | Forward solenoid | DT06-2S-EP06 | - |
| CN-123 | DEUTSCH | 2 | Reverse solenoid | DT06-2S-EP06 | - |
| CN-125 | Econoseal J | 4 | GPS connector | S816-004002 | S816-104002 |
| CN-125A | DEUTSCH | 12 | GPS | DT06-12S-P021 | DT04-12PA-P021 |
| CN-125B | DEUTSCH | 8 | RMS | DT06-8S-P021 | DT04-8P |
| CN-126 | AMP | 10 | Service tool | S816-010002 | S816-110002 |
| CN-126A | DEUTSCH | 4 | RMS service tool | DT06-4S | DT04-4P |
| CN-131 | - | 6 | I/conn (Stop lamp harness-Frame harness) | S816-006002 | S816-106002 |
| CN-132 | DEUTSCH | 2 | Safety solenoid | DT06-2S-EP06 | - |
| CN-138 | FASTEN | 3 | DC/DC Converter | S810-003202 | - |
| CN-139 | FASTEN | 2 | 12V socket | 172434-2 | - |
| CN-140 | DEUTSCH | 2 | Quick clamp solenoid | DT06-2S-EP06 | DT04-2P-E005 |
| CN-150 | DEUTSCH | 2 | Auto grease solenoid | DT06-2S-EP06 | DT04-2P-E005 |
| CN-154 | DEUTSCH | 2 | Fan EPPR | DT06-2S-EP06 | - |
| CN-155 | DEUTSCH | 2 | Fan reverse solenoid | DT06-2S-EP06 | - |
| CN-156 | DEUTSCH | 60 | MTCU | DRC26-40SA | - |
| CN-156 | AMP | 2 | Air seat | - | S822-114002 |

| Connector number | Type | No. of pin | Destination | Connector part No. | |
|------------------|---------|------------|--------------------------------|--------------------|--------------|
| | | | | Female | Male |
| CN-157 | AMP | 1 | Antena power | S822-014002 | - |
| CN-168 | DEUTSCH | 12 | PVED-CLS | DT06-12S | - |
| CN-173 | DEUTSCH | 3 | Resistor | DT06-3S-EP06 | DT04-3P-EP10 |
| CN-174 | DEUTSCH | 3 | Resistor | DT06-3S-EP06 | - |
| CN-181 | DEUTSCH | 2 | Travel low speed solenoid | DT06-2S-EP06 | - |
| CN-197 | DEUTSCH | 2 | Swing brake solenoid | DT06-2S-EP06 | - |
| CN-206 | DEUTSCH | 2 | Creep solenoid | DT06-2S-EP06 | - |
| CN-214 | DEUTSCH | 2 | Front outrigger solenoid - RH | DT06-2S-EP06 | DT04-2P-E005 |
| CN-216 | DEUTSCH | 2 | Front outrigger solenoid - LH | DT06-2S-EP06 | DT04-2P-E005 |
| CN-218 | DEUTSCH | 2 | Rear outrigger solenoid - RH | DT06-2S-EP06 | DT04-2P-E005 |
| CN-220 | DEUTSCH | 2 | Rear outrigger solenoid - LH | DT06-2S-EP06 | DT04-2P-E005 |
| CN-238 | DEUTSCH | 2 | Rotate-LH (A1) | DT06-2S-EP06 | DT04-2P |
| CN-239 | DEUTSCH | 2 | Rotate-RH (A2) | DT06-2S-EP06 | DT04-2P |
| CN-246 | DEUTSCH | 2 | Cruise solenoid | DT06-2S-EP06 | - |
| CN-246 | DEUTSCH | 8 | PVG switch | DT06-8S | - |
| CN-247 | DEUTSCH | 8 | PVG signal | DT06-8S | - |
| CN-249 | DEUTSCH | 6 | Rear view camera | DT06-6S-EP06 | DT04-6P |
| CN-253 | - | 16 | Slipring | 368047-1 | - |
| CN-255 | - | 18 | Slipring | 8-1447231-1 | 8-1447231-9 |
| CN-255A | DEUTSCH | 8 | Trailer hitch | DT06-8S | DT04-8P |
| CN-255B | - | 7 | Trailer socket | - | - |
| CN-305 | DEUTSCH | 12 | PVG connector | DTM06-12SA | - |
| CN-306 | DEUTSCH | 12 | PVG connector | DTM06-12SB | - |
| CN-307 | DEUTSCH | 3 | Service tool | DT06-3S-EP06 | DT04-3P-E005 |
| CN-309 | DEUTSCH | 2 | 2 way clamp | DT06-2S-EP06 | - |
| CN-310 | DEUTSCH | 2 | 2 way release | DT06-2S-EP06 | - |
| CN-313 | DEUTSCH | 4 | Service tool | DT06-4S | - |
| CN-363 | - | 12 | Jog dial module | 174045-2 | - |
| CN-365 | DEUTSCH | 2 | Attachment relief EPPR valve 1 | DT06-2S-EP06 | - |
| CN-366 | DEUTSCH | 2 | Attachment relief EPPR valve 2 | DT06-2S-EP06 | - |
| CN-369 | DEUTSCH | 2 | Boom down cut-off solenoid | DT06-2S-E005 | DT04-2P-E005 |
| CN-370 | DEUTSCH | 2 | Swing fine control solenoid | DT06-2S-EP06 | DT04-2P-E005 |
| CN-376 | TYCO | 34 | RDU | 4-1437290-1 | - |
| CN-379 | TYCO | 12 | SCR supply module | 2-1703639-1 | - |
| CN-380 | DEUTSCH | 4 | DEF/AdBlue® tank level sensor | DT06-4S-EP06 | - |
| CN-381 | DEUTSCH | 2 | DEF/AdBlue® line heater 1 | DT06-2S-EP06 | - |
| CN-382 | DEUTSCH | 2 | DEF/AdBlue® line heater 2 | DT06-2S-EP06 | - |
| CN-383 | DEUTSCH | 2 | DEF/AdBlue® line heater 3 | DT06-2S-EP06 | - |

| Connector number | Type | No. of pin | Destination | Connector part No. | |
|------------------|-----------|------------|---|--------------------|---------------|
| | | | | Female | Male |
| CN-384 | TYCO | 2 | Coolant valve | 1-967325-3 | - |
| CN-401 | TE | 35 | AAVM controller | 776164-1 | - |
| CN-402 | DEUTSCH | 6 | Front view camera | DT06-6S-P021 | DT04-6P-P021 |
| CN-403 | DEUTSCH | 6 | Rear view camera | - | DT04-6P-EP14 |
| CN-404 | DEUTSCH | 6 | Left view camera | - | DT04-6P-EP14 |
| CN-405 | DEUTSCH | 6 | Right view camera | - | DT04-6P-EP14 |
| CN-406 | DEUTSCH | 3 | RS 232 | DT06-3S-EP06 | DT04-3P-E005 |
| CN-419 | DEUTSCH | 2 | Swing parking A1 | DT06-2S-EP06 | - |
| CN-420 | DEUTSCH | 2 | Swing parking A2 | DT06-2S-EP06 | - |
| CN-421 | DEUTSCH | 2 | Swing parking A3 | DT06-2S-EP06 | - |
| CN-427 | MOLEX | 12 | Reader | 5557-12R | 5559-12P |
| CN-430 | DEUTSCH | 12 | I/conn (Side harness RH-Aftertreatment harness) | DT06-12S-EP06 | DT06-12P-E005 |
| CN-431 | KET | 20 | Aux monitor | MG653026 | - |
| CN-441 | DEUTSCH | 4 | Radar | DT06-4S-EP06 | DT04-4P |
| CN-451 | CARLING | 9 | Trailer indicator | VC2-01 | - |
| CN-500 | DEUTSCH | 6 | Ride control solenoid connector | DT06-6S-EP06 | DT04-6P |
| CN-500 | DEUTSCH | 3 | I/conn (Frame harness-Ride control harness) | - | DT04-6P |
| CN-501 | DEUTSCH | 2 | Ride control solenoid 1 | DT06-2S-E005 | - |
| CN-502 | DEUTSCH | 2 | Ride control solenoid 2 | DT06-2S-E005 | - |
| CN-503 | DEUTSCH | 2 | Ride control solenoid 3 | DT06-2S-E005 | - |
| CN-506 | DEUTSCH | 8 | Lift solenoid | DT06-2S | DT04-2P |
| CN-506 | DEUTSCH | 2 | Lift solenoid | DT06-2S-EP06 | DT04-2P |
| CN-507 | DEUTSCH | 2 | Digging brake EPPR | DT06-2S-EP06 | - |
| CN-508 | DEUTSCH | 2 | Digging brake solenoid | DT06-2S-EP06 | - |
| CN-J7A | TYCO | 4 | DOC NOx sensor | 2-1418390-1 | - |
| CN-J7B | TYCO | 4 | SCR NOx sensor | 1-1418390-1 | - |
| CN-J10 | TYCO | 4 | SCR thermistor controller | 5-1418390-1 | - |
| CN-J17 | TYCO | 4 | DOC thermistor controller | 4-1418390-1 | - |
| CN-J31 | BOSCH | 2 | DEF/AdBlue® dosing module | 1_928_403_874 | - |
| CC1D | FCI | 14 | DEF lamp connector | 13533441 | - |
| CC8D | DEUTSCH | 4 | Engine side crossover connector | DT06-4S-EP06 | - |
| EX2B | FCI | 4 | TBAP | 54200419 | - |
| J-1 | TE | 20 | Multifunction switch | - | 1-0640514-0 |
| J-2 | TE | 20 | Multifunction switch | 1-0640524-0 | - |
| · Relay | | | | | |
| CR-1 | RING-TERM | 1 | Battery relay B+/IG terminal | ST710285-2 | - |
| CR-2 | - | 5 | Horn relay | - | - |
| CR-3 | - | 5 | Working lamp relay | - | - |

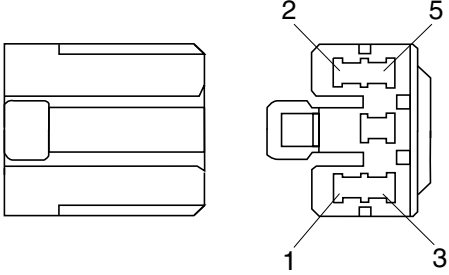
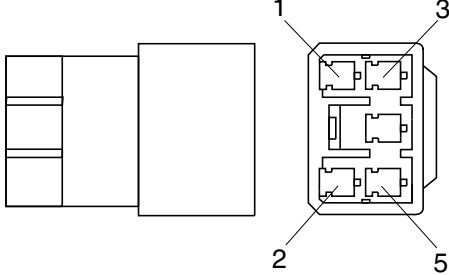
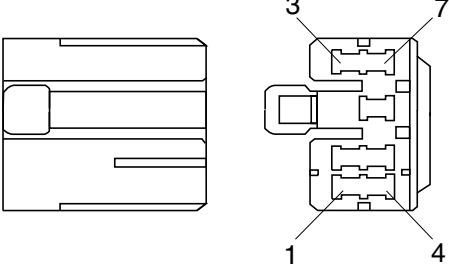
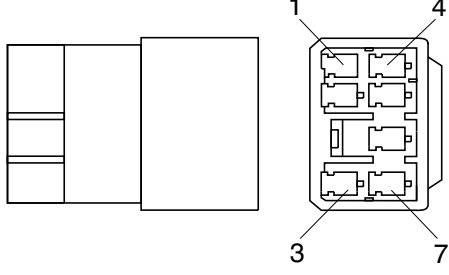
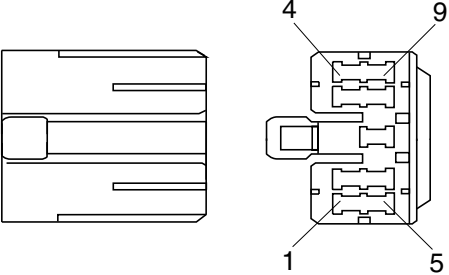
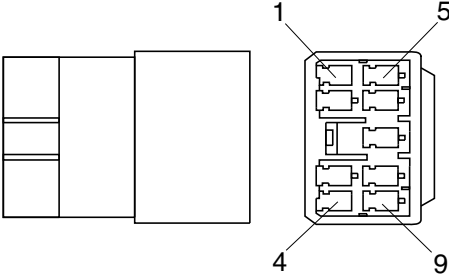
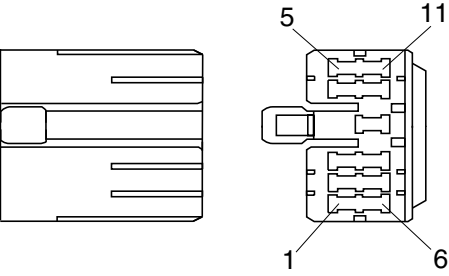
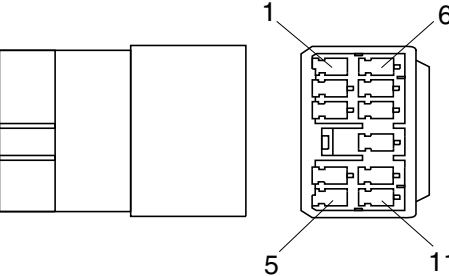
| Connector number | Type | No. of pin | Destination | Connector part No. | |
|------------------|-----------|------------|-----------------------------|--------------------|--------------|
| | | | | Female | Male |
| CR-5 | - | 5 | Anti restart relay | - | - |
| CR-6 | TE | 4 | Wiper relay | 174202-1 | - |
| CR-7 | - | 5 | Aircon compressor relay | - | - |
| CR-9 | - | 5 | Cabin lamp relay | - | - |
| CR-11 | HELLA | 6 | Flasher unit relay | 701-230-001 | - |
| CR-12 | - | 5 | Travel speed relay | - | - |
| CR-13 | - | 5 | Head lamp low relay | - | - |
| CR-14 | - | 5 | Head lamp high relay | - | - |
| CR-15 | - | 5 | Illumination relay | - | - |
| CR-23 | RINGTERM | 1 | Start relay S/G terminal | ST712089-2 | - |
| CR-23 | RINGTERM | 1 | Start relay B+/M terminal | ST710384-2 | - |
| CR-24 | RING TERM | 1 | Preheat relay B+/P terminal | S820-406001 | - |
| CR-24 | RING TERM | 1 | Preheat relay G terminal | S820-108000 | - |
| CR-24 | RING TERM | 1 | Preheat relay S terminal | S820-108000 | - |
| CR-30 | - | 5 | Travel reverse relay | - | - |
| CR-35 | - | 5 | Power relay | - | - |
| CR-36 | - | 5 | Preheat relay | - | - |
| CR-39 | - | 5 | Starter lockout relay | - | - |
| CR-44 | - | 5 | Rear work lamp relay | - | - |
| CR-45 | - | 5 | Stop lamp relay | - | - |
| CR-46 | - | 5 | Fuel warmer relay | - | - |
| CR-47 | - | 5 | Safety solenoid relay | - | - |
| CR-50 | - | 5 | NOx sensor relay | - | - |
| CR-51 | - | 5 | DEF module relay | - | - |
| CR-52 | - | 5 | Line heater relay | - | - |
| CR-62 | - | 5 | Breaker relay | - | - |
| CR-66 | - | 5 | Parking relay | - | - |
| CR-78 | - | 5 | Head lamp power relay | - | - |
| CR-81 | - | 5 | Front outrigger relay - RH | - | - |
| CR-82 | - | 5 | Front outrigger relay - LH | - | - |
| CR-83 | - | 5 | Rear outrigger relay - RH | - | - |
| CR-84 | - | 5 | Rear outrigger relay - LH | - | - |
| CR-85 | - | 5 | Beacon lamp relay | - | - |
| · Switch | | | | | |
| CS-1 | SHUR | 1 | Door switch | S822-014002 | - |
| CS-2A | WP | 6 | Start key switch | S814-006100 | - |
| CS-2B | DEUTSCH | 3 | Smart key | DT06-3S-EP06 | DT04-3P-E005 |
| CS-2C | KET | 3 | BKCU | MG651032 | - |

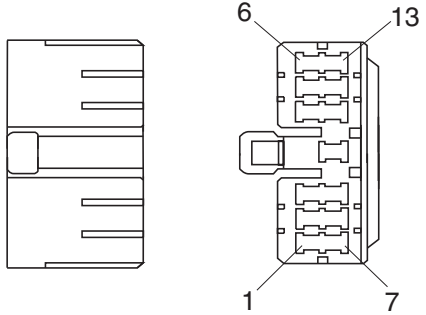
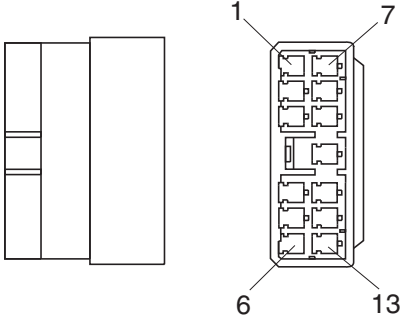
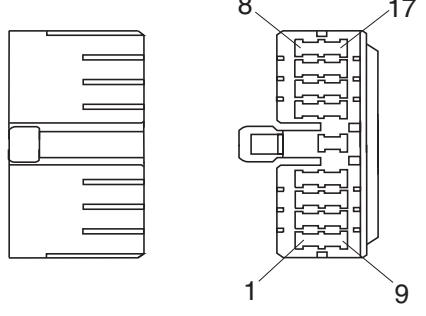
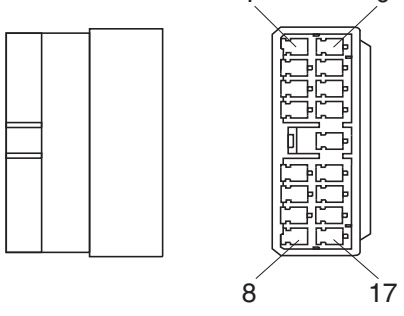
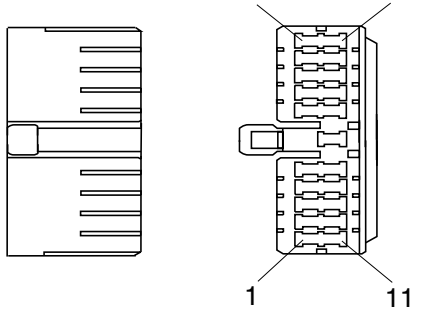
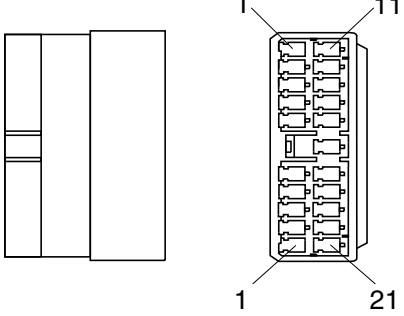
| Connector number | Type | No. of pin | Destination | Connector part No. | |
|------------------|---------|------------|----------------------------------|--------------------|-------------|
| | | | | Female | Male |
| CS-2D | KET | 3 | Button key | - | MG641035 |
| CS-4 | DEUTSCH | 3 | Safety switch | DT06-3S | - |
| CS-10 | DEUTSCH | 6 | FNR switch | DT06-6S | - |
| CS-20 | AMP | 3 | Safety switch | - | DT04-3P |
| CS-23 | CARLING | 10 | Auto cruise switch | VC2-01 | - |
| CS-29 | DEUTSCH | 6 | Power max switch | DT06-6S | - |
| CS-33 | - | 6 | Emergency engine stop switch | S816-006002 | S816-106002 |
| CS-61 | - | 2 | Boom floating switch | 174352-2 | S816-102002 |
| CS-67 | CARLING | 10 | Quick clamp switch | VC2-01 | - |
| CS-73 | CARLING | 10 | Swing lock switch | VC2-01 | - |
| CS-73A | CARLING | 10 | Fine swing switch | VC2-01 | - |
| CS-74 | AMP | 2 | Master switch | S813-030201 | - |
| CS-74B | DEUTSCH | 2 | Master switch | DT06-2S-EP06 | - |
| CS-100 | CARLING | 10 | SCR switch | VC2-01 | - |
| CS-120 | CARLING | 10 | Trailer lift switch | VC2-01 | - |
| CS-121 | CARLING | 10 | Auto digging brake switch | VC2-01 | - |
| CS-122 | CARLING | 10 | E steering & crusher switch | VC2-01 | - |
| CS-123 | CARLING | 10 | Boom float & ride control switch | VC2-01 | - |
| CS-124 | CARLING | 10 | FNR emergency switch | VC2-01 | - |
| CS-125 | CARLING | 10 | FNR select switch | VC2-01 | - |
| CS-250 | - | 2 | Seat belt switch | - | - |
| · Light | | | | | |
| CL-1 | KET | 3 | Room lamp | MG651032 | - |
| CL-2 | AMP | 1 | Cigar lighter | S822-014002 | S822-114002 |
| CL-3 | - | 3 | Head lamp-LH | S810-003702 | - |
| CL-4 | - | 3 | Head lamp-RH | S810-003702 | - |
| CL-5 | DEUTSCH | 2 | Work lamp-LH | DT06-2S-EP06 | - |
| CL-6 | DEUTSCH | 2 | Work lamp-RH | DT06-2S-EP06 | - |
| CL-7 | DEUTSCH | 2 | Beacon lamp | DT06-2S-EP06 | DT04-2P |
| CL-8 | DEUTSCH | 2 | Cab light-LH | DT06-2S-EP06 | DT04-2P |
| CL-9 | DEUTSCH | 2 | Cab light-RH | DT06-2S-EP06 | DT04-2P |
| CL-10 | DEUTSCH | 2 | Cab light-RH | DT06-2S-EP06 | DT04-2P |
| CL-15 | AMP | 6 | Rear combination lamp-LH | PB625-06027 | - |
| CL-16 | AMP | 6 | Rear combination lamp-RH | PB625-06027 | - |
| CL-21 | KET | 2 | Number plate lamp | S814-002000 | - |
| CL-24 | AMP | 3 | Front combination lamp-LH | S816-003002 | - |
| CL-24 | DEUTSCH | 2 | Rear work lamp | DT06-2S-EP06 | DT04-2P |
| CL-25 | AMP | 3 | Front combination lamp-RH | S816-003002 | - |

| Connector number | Type | No. of pin | Destination | Connector part No. | |
|------------------|----------|------------|-----------------------------------|--------------------|--------------|
| | | | | Female | Male |
| CL-40 | DEUTSCH | 2 | DEF/AdBlue® lamp | DT06-2S-EP06 | - |
| · Sensor, sendor | | | | | |
| CD-1 | AMP | 2 | Hydraulic oil temp sender | 85202-1 | - |
| CD-2 | DEUTSCH | 2 | Fuel level sender | DT06-2S-EP06 | - |
| CD-3 | DEUTSCH | 3 | Brake oil pressure sensor | DT06-3S-EP06 | - |
| CD-4 | DEUTSCH | 3 | Stop lamp pressure sensor | DT06-3S-EP06 | - |
| CD-5 | DEUTSCH | 3 | Transmission oil pressure sensor | DT06-3S-EP06 | - |
| CD-10A | SUMITOMO | 4 | Pressure temperature sensor | 6098-0144 | - |
| CD-16 | AMP | 3 | Water level sensor | 1211-0293 | - |
| CD-24 | DEUTSCH | 3 | Swing pressure sensor | DT06-3S-EP06 | - |
| CD-31 | DEUTSCH | 3 | Overload pressure sensor | DT06-3S-EP06 | DT04-3P-E005 |
| CD-32 | DEUTSCH | 3 | Boom up pressure sensor | DT06-3S-EP06 | - |
| CD-35 | DEUTSCH | 3 | Arm out pressure sensor | DT06-3S-EP06 | - |
| CD-37 | DEUTSCH | 3 | 2 piece pressure sensor | DT06-3S-EP06 | DT04-3P |
| CD-38 | DEUTSCH | 3 | Work brake pressure sensor | DT06-3S-EP06 | - |
| CD-39 | DEUTSCH | 3 | Pump load sensing pressure sensor | DT06-3S-EP06 | - |
| CD-42 | DEUTSCH | 3 | P1 pressure sensor | DT06-3S-EP06 | - |
| CD-44 | DEUTSCH | 3 | Pump option pressure sensor | DT06-3S-EP06 | - |
| CD-45 | DEUTSCH | 2 | WIF sensor | DT06-2S-EP06 | - |
| CD-46 | AMP | 3 | Speed sensor | 282087 | - |
| CD-50 | KET | 2 | Outrigger action pressure sensor | MG640975 | - |
| CD-52 | - | 2 | Fan speed sensor | 174352-2 | - |
| CD-57 | DEUTSCH | 4 | SASA S/S | DT06-4S | - |
| CD-73 | DEUTSCH | 3 | Travel forward pressure sensor | DT06-3S-EP06 | - |
| CD-85 | DEUTSCH | 3 | Boom down pressure sensor | DT06-3S-EP06 | - |
| CD-87 | DEUTSCH | 3 | Bucket out pressure sensor | DT06-3S-EP06 | - |
| CD-90 | DEUTSCH | 3 | Arm in pressure sensor | DT06-3S-EP06 | - |
| CD-95 | DEUTSCH | 3 | Bucket in pressure sensor | DT06-3S-EP06 | - |
| CD-100 | DEUTSCH | 3 | Outrigger pressure sensor | DT06-3S-EP06 | - |
| CD-101 | DEUTSCH | 3 | Load sensing pressure sensor | DT06-3S-EP06 | - |
| CD-102 | DEUTSCH | 3 | Brake pressure sensor | DT06-3S-EP06 | - |
| CD-124 | DEUTSCH | 3 | Boom rod cylinder pressure sensor | DT06-3S-E005 | - |
| CD-145 | DEUTSCH | 3 | Option RH - A | DT06-3S-EP06 | DT04-3P-E005 |
| CD-146 | DEUTSCH | 3 | Option RH - B | DT06-3S-EP06 | DT04-3P-E005 |
| CD-156 | DEUTSCH | 3 | Swing brake pressure sensor | DT06-3S-EP06 | - |

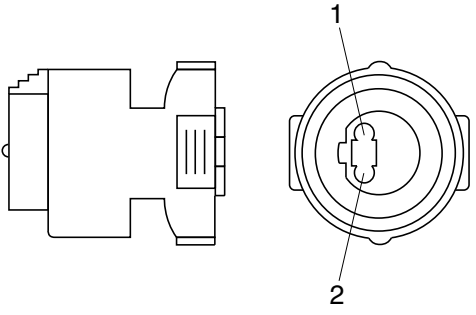
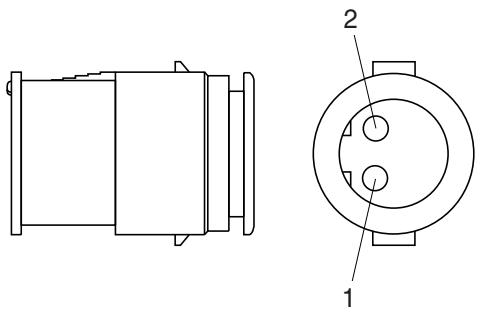
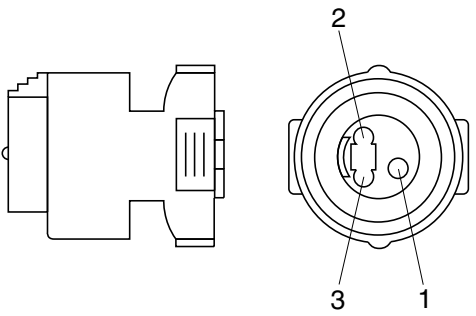
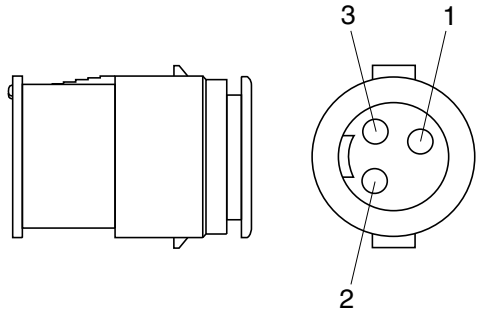
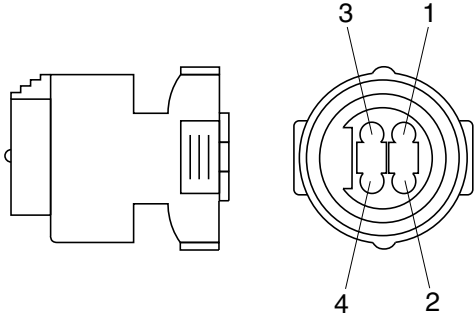
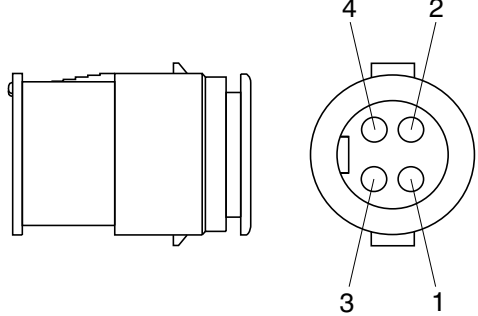
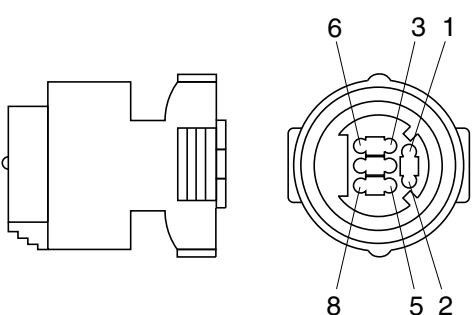
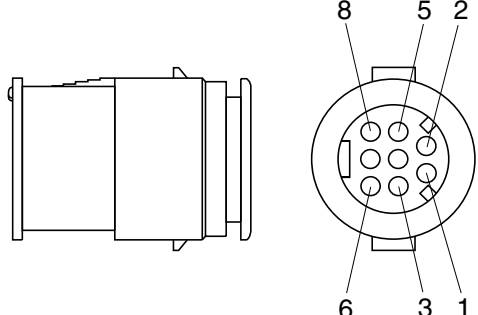
2. CONNECTION TABLE FOR CONNECTORS

1) PA TYPE CONNECTOR

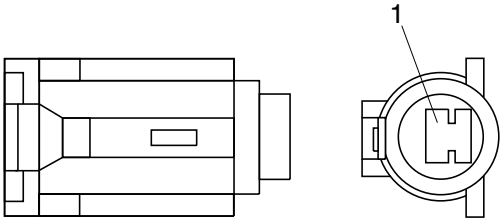
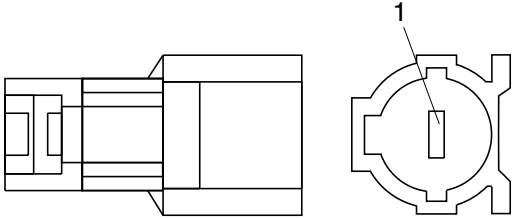
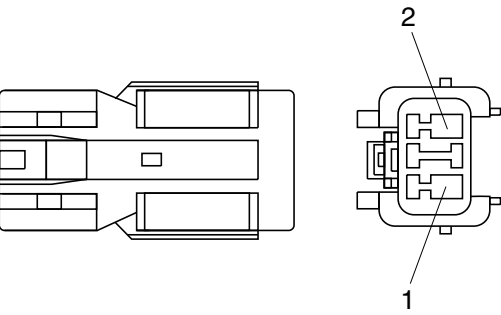
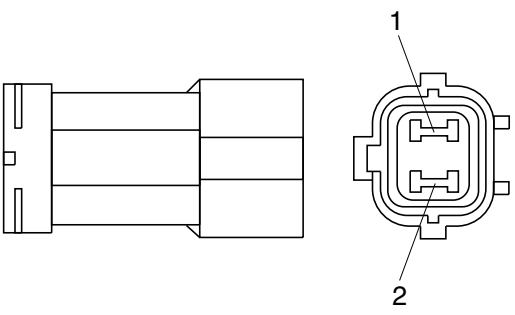
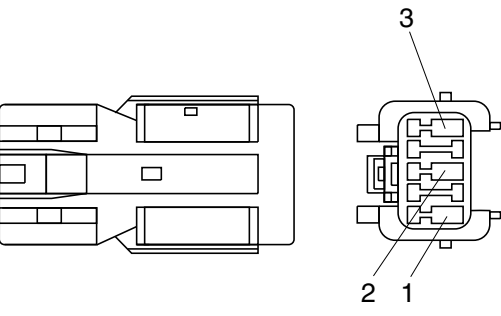
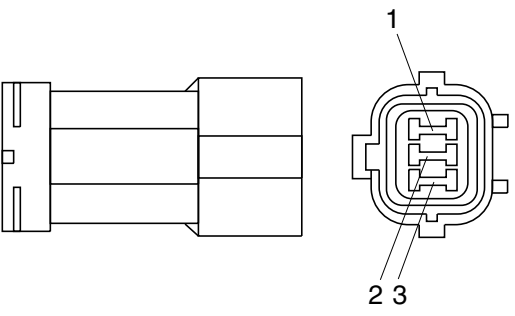
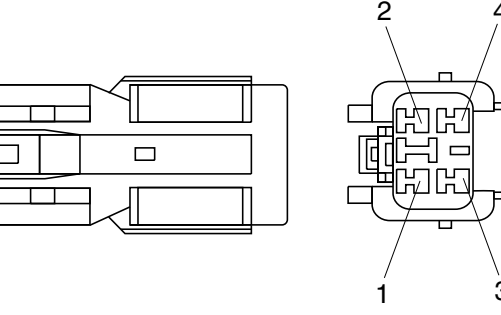
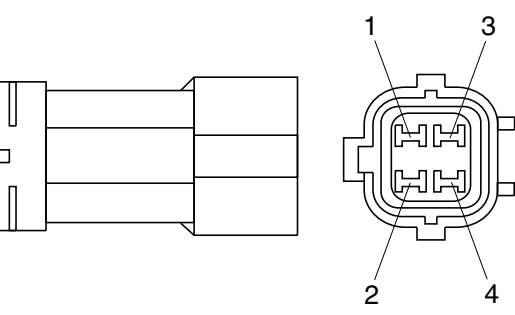
| No. of pin | Receptacle connector (female) | Plug connector (male) |
|------------|--|--|
| 5 |  <p data-bbox="687 734 836 768">S811-005002</p> |  <p data-bbox="1241 734 1390 768">S811-105002</p> |
| 7 |  <p data-bbox="687 1144 836 1178">S811-007002</p> |  <p data-bbox="1241 1144 1390 1178">S811-107002</p> |
| 9 |  <p data-bbox="687 1552 836 1585">S811-009002</p> |  <p data-bbox="1230 1552 1378 1585">3S811-109002</p> |
| 11 |  <p data-bbox="687 1960 836 1993">S811-011002</p> |  <p data-bbox="1241 1960 1390 1993">S811-111002</p> |

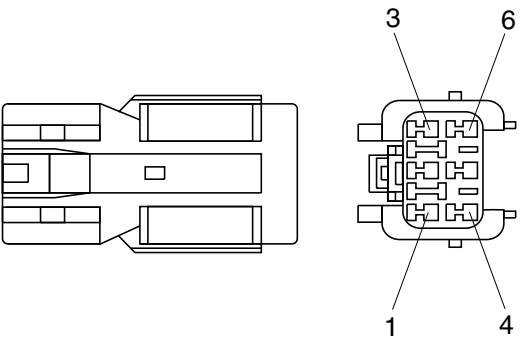
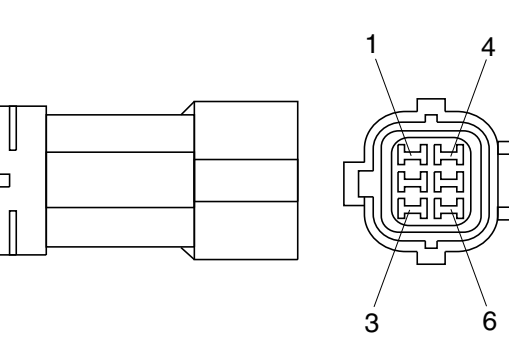
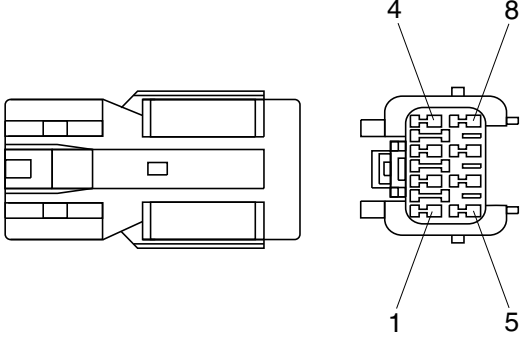
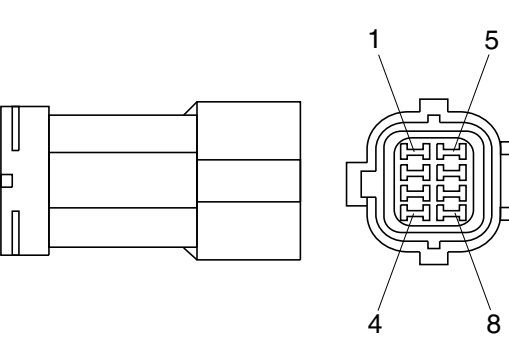
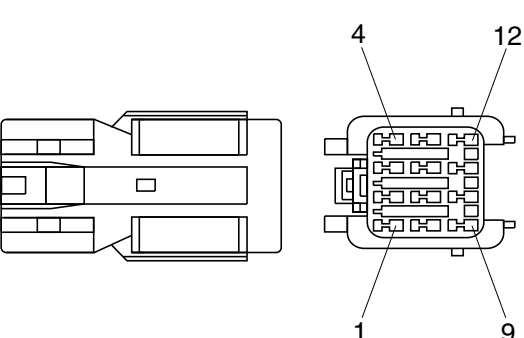
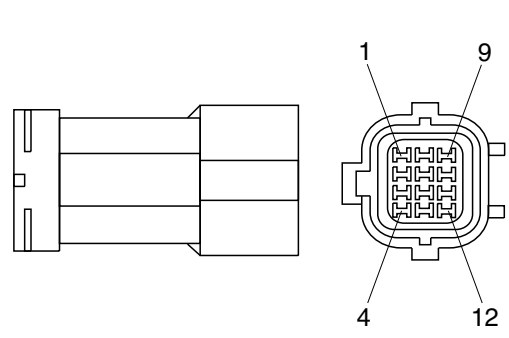
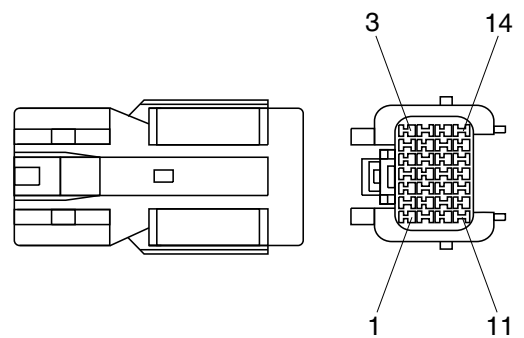
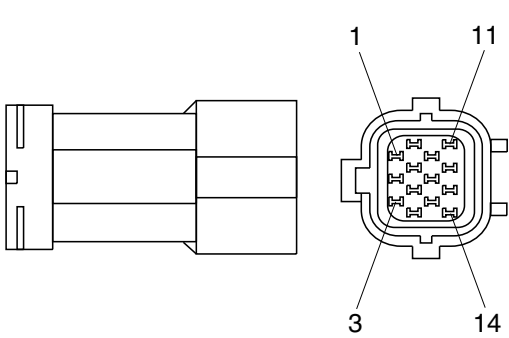
| No. of pin | Receptacle connector (female) | Plug connector (male) |
|------------|--|---|
| 13 |  <p style="text-align: center;">S811-013002</p> |  <p style="text-align: center;">S811-113002</p> |
| 17 |  <p style="text-align: center;">S811-017002</p> |  <p style="text-align: center;">S811-117002</p> |
| 21 |  <p style="text-align: center;">S811-021002</p> |  <p style="text-align: center;">S811-121002</p> |

2) J TYPE CONNECTOR

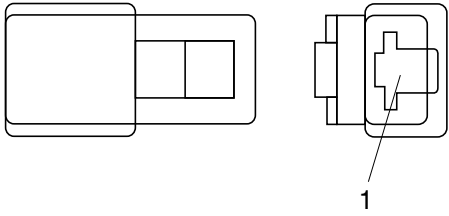
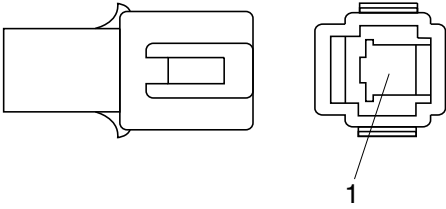
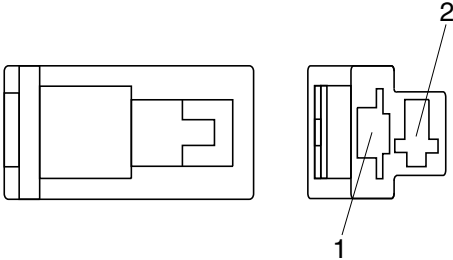
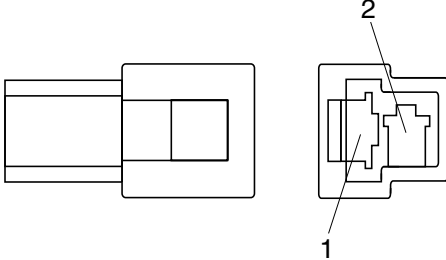
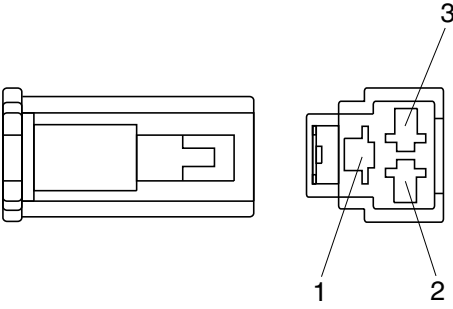
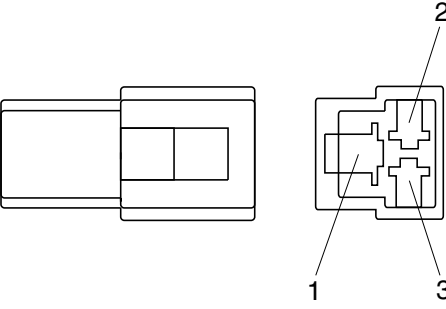
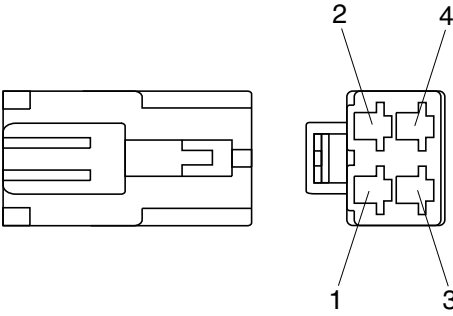
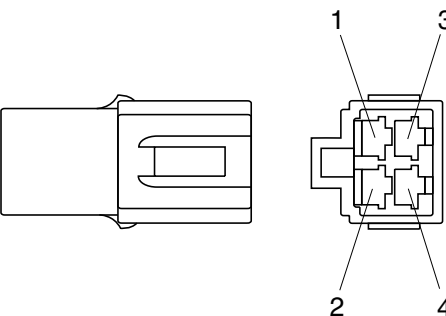
| No. of pin | Receptacle connector (female) | Plug connector (male) |
|------------|--|---|
| 2 |  <p style="text-align: center;">S816-002001</p> |  <p style="text-align: center;">S816-102001</p> |
| 3 |  <p style="text-align: center;">S816-003001</p> |  <p style="text-align: center;">S816-103001</p> |
| 4 |  <p style="text-align: center;">S816-004001</p> |  <p style="text-align: center;">S816-104001</p> |
| 8 |  <p style="text-align: center;">S816-008001</p> |  <p style="text-align: center;">S816-108001</p> |

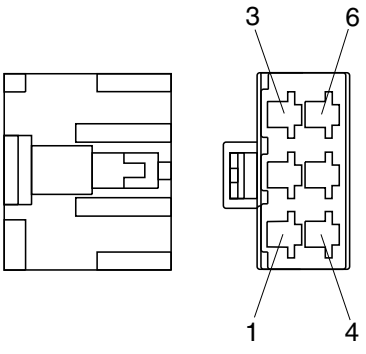
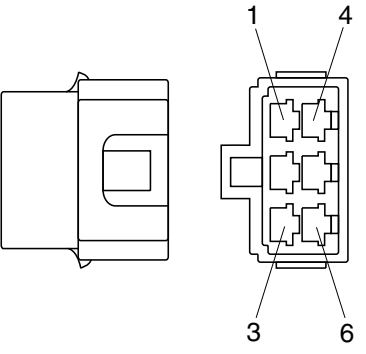
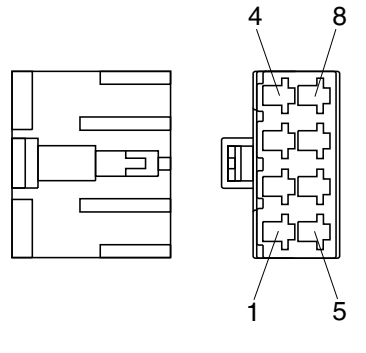
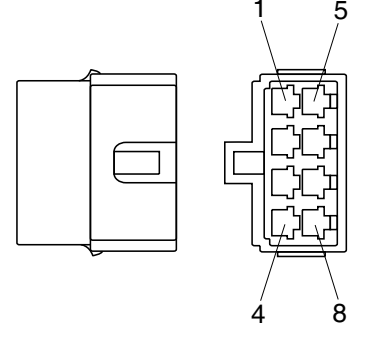
3) SWP TYPE CONNECTOR

| No. of pin | Receptacle connector (female) | Plug connector (male) |
|------------|--|---|
| 1 |  <p data-bbox="687 689 836 719">S814-001000</p> |  <p data-bbox="1241 689 1390 719">S814-101000</p> |
| 2 |  <p data-bbox="687 1093 836 1122">S814-002000</p> |  <p data-bbox="1241 1093 1390 1122">S814-102000</p> |
| 3 |  <p data-bbox="687 1498 836 1527">S814-003000</p> |  <p data-bbox="1241 1498 1390 1527">S814-103000</p> |
| 4 |  <p data-bbox="687 1904 836 1933">S814-004000</p> |  <p data-bbox="1241 1904 1390 1933">S814-104000</p> |

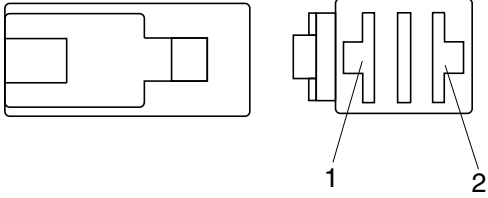
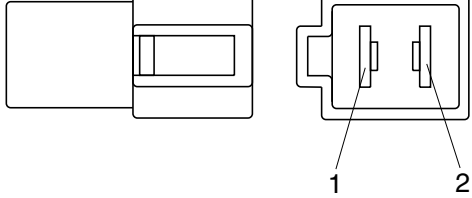
| No. of pin | Receptacle connector (female) | Plug connector (male) |
|------------|--|---|
| 6 |  <p data-bbox="694 638 837 672">S814-006000</p> |  <p data-bbox="1252 638 1396 672">S814-106000</p> |
| 8 |  <p data-bbox="694 1041 837 1075">S814-008000</p> |  <p data-bbox="1252 1041 1396 1075">S814-108000</p> |
| 12 |  <p data-bbox="694 1444 837 1478">S814-012000</p> |  <p data-bbox="1252 1444 1396 1478">S814-112000</p> |
| 14 |  <p data-bbox="694 1848 837 1881">S814-014000</p> |  <p data-bbox="1252 1848 1396 1881">S814-114000</p> |

4) CN TYPE CONNECTOR

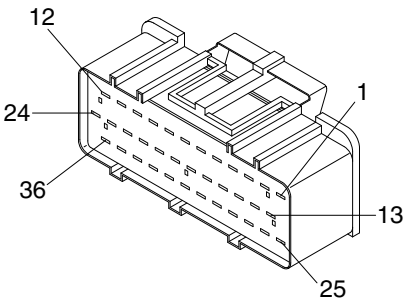
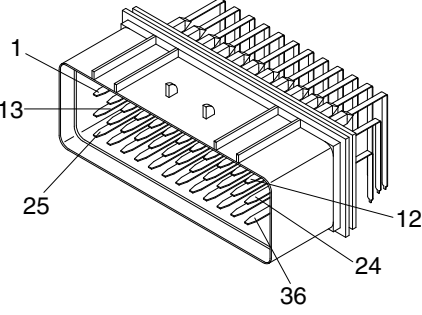
| No. of pin | Receptacle connector (female) | Plug connector (male) |
|------------|--|---|
| 1 |  <p style="text-align: center;">S810-001202</p> |  <p style="text-align: center;">S810-101202</p> |
| 2 |  <p style="text-align: center;">S810-002202</p> |  <p style="text-align: center;">S810-102202</p> |
| 3 |  <p style="text-align: center;">S810-003202</p> |  <p style="text-align: center;">S810-103202</p> |
| 4 |  <p style="text-align: center;">S810-004202</p> |  <p style="text-align: center;">S810-104202</p> |

| No. of pin | Receptacle connector (female) | Plug connector (male) |
|------------|---|--|
| 6 |  <p data-bbox="686 645 837 674">S810-006202</p> |  <p data-bbox="1244 645 1396 674">S810-106202</p> |
| 8 |  <p data-bbox="686 1059 837 1088">S810-008202</p> |  <p data-bbox="1244 1059 1396 1088">S810-108202</p> |

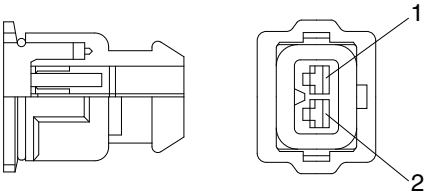
5) 375 FASTEN TYPE CONNECTOR

| No. of pin | Receptacle connector (female) | Plug connector (male) |
|------------|--|---|
| 2 |  <p style="text-align: center;">S810-002402</p> |  <p style="text-align: center;">S810-102402</p> |

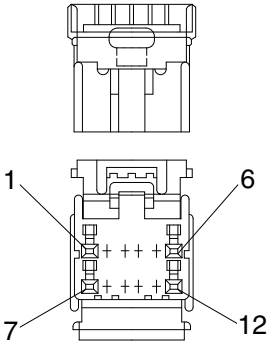
6) AMP ECONOSEAL CONNECTOR

| No. of pin | Receptacle connector (female) | Plug connector (male) |
|------------|--|---|
| 36 |  <p style="text-align: center;">344111-1</p> |  <p style="text-align: center;">344108-1</p> |

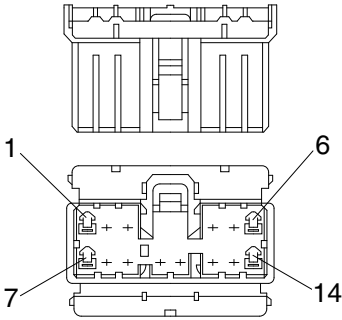
7) AMP TIMER CONNECTOR

| No. of pin | Receptacle connector (female) | Plug connector (male) |
|------------|--|-----------------------|
| 2 |  <p style="text-align: center;">85202-1</p> | |

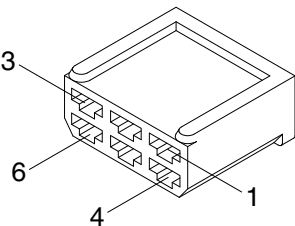
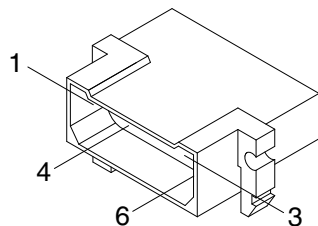
8) AMP 040 MULTILOCK CONNECTOR

| No. of pin | Receptacle connector (female) | Plug connector (male) |
|------------|--|-----------------------|
| 12 |  <p style="text-align: right;">174045-2</p> | |

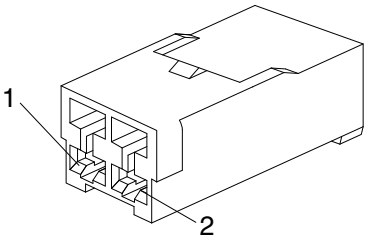
9) AMP 070 MULTILOCK CONNECTOR

| No. of pin | Receptacle connector (female) | Plug connector (male) |
|------------|---|-----------------------|
| 14 |  <p style="text-align: right;">173852</p> | |

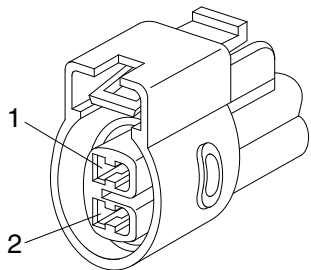
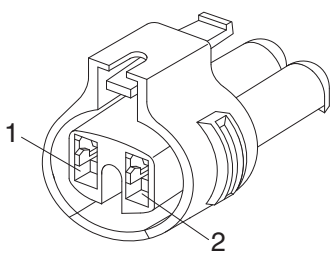
10) AMP FASTIN - FASTON CONNECTOR

| No. of pin | Receptacle connector (female) | Plug connector (male) |
|------------|--|---|
| 6 |  <p style="text-align: right;">925276-0</p> |  <p style="text-align: right;">480003-9</p> |

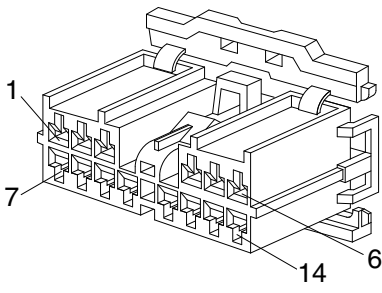
11) KET 090 CONNECTOR

| No. of pin | Receptacle connector (female) | Plug connector (male) |
|------------|--|-----------------------|
| 2 |  <p style="text-align: right;">MG610070</p> | |

12) KET 090 WP CONNECTORS

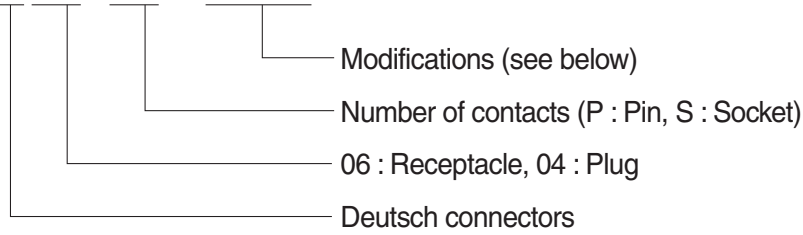
| No. of pin | Receptacle connector (female) | Plug connector (male) |
|------------|--|-----------------------|
| 2 |  <p style="text-align: right;">MG640605</p> | |
| 2 |  <p style="text-align: right;">MG640795</p> | |

13) KET SDL CONNECTOR

| No. of pin | Receptacle connector (female) | Plug connector (male) |
|------------|---|-----------------------|
| 14 |  <p data-bbox="710 683 837 705">MG610406</p> | |

14) DEUTSCH DT CONNECTORS

DT 06 - 3S - ★★☆☆



※ Modification

E003 : Standard end cap - gray

E004 : Color of connector to be black

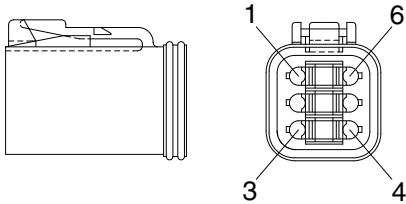
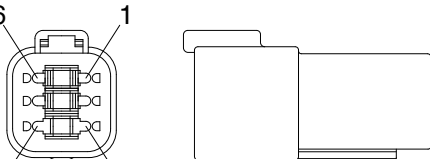
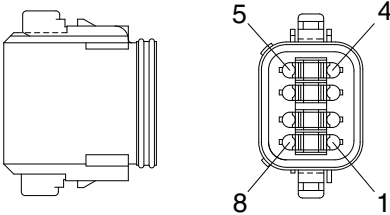
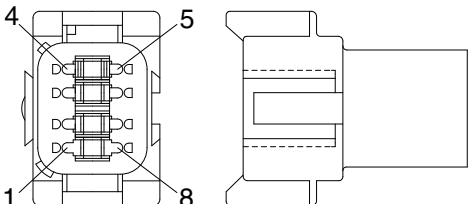
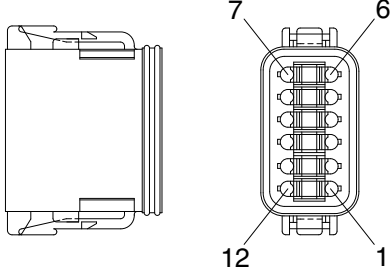
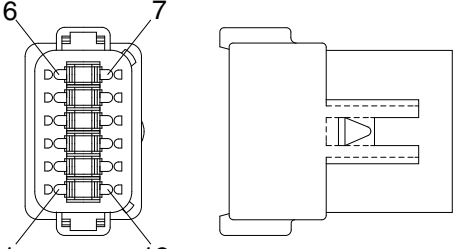
E005 : Combination - E004 & E003

EP04 : End cap

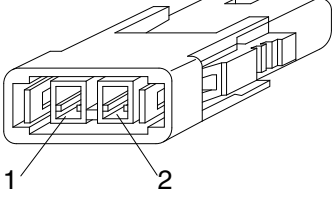
EP06 : Combination P012 & EP04

P012 : Front seal enhancement - connectors color to black for 2, 3, 4 & 6pin

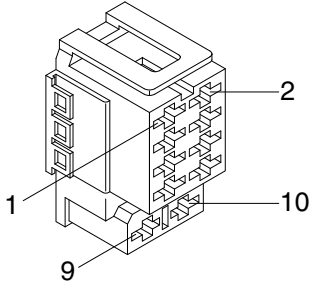
| No. of pin | Receptacle connector (female) | Plug connector (male) |
|------------|-------------------------------|-----------------------|
| 2 | <p>DT06-2S</p> | <p>DT04-2P</p> |
| 3 | <p>DT06-3S</p> | <p>DT04-3P</p> |
| 4 | <p>DT06-4S</p> | <p>DT04-4P</p> |

| No. of pin | Receptacle connector (female) | Plug connector (male) |
|------------|---|--|
| 6 |  <p style="text-align: center;">DT06-6S</p> |  <p style="text-align: center;">DT04-6P</p> |
| 8 |  <p style="text-align: center;">DT06-8S</p> |  <p style="text-align: center;">DT04-8P</p> |
| 12 |  <p style="text-align: center;">DT06-12S</p> |  <p style="text-align: center;">DT04-12P</p> |

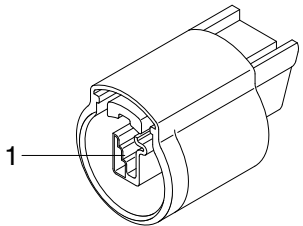
15) MOLEX 2CKTS CONNECTOR

| No. of pin | Receptacle connector (female) | Plug connector (male) |
|------------|---|-----------------------|
| 2 |  <p data-bbox="702 683 837 705">35215-0200</p> | |

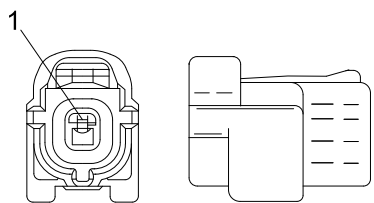
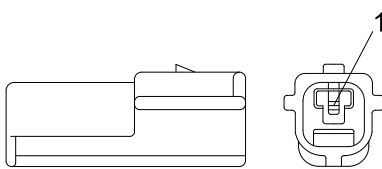
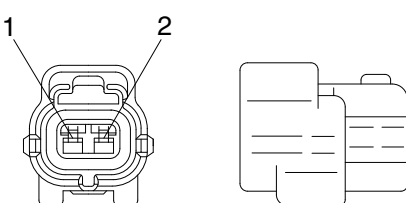
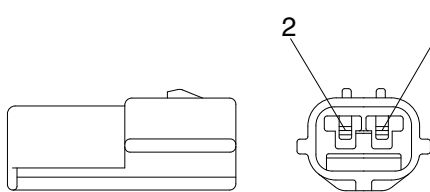
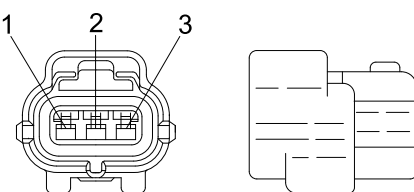
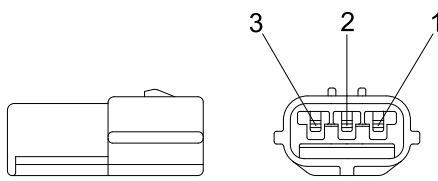
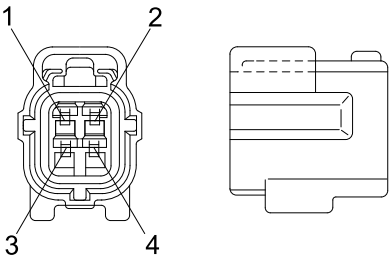
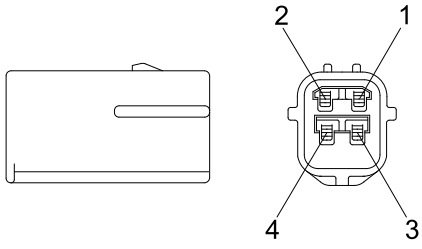
16) ITT SWF CONNECTOR

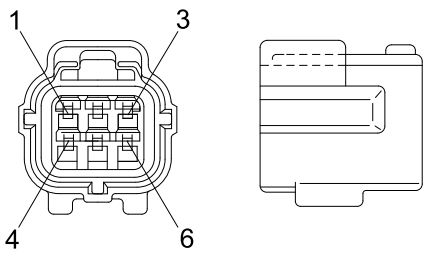
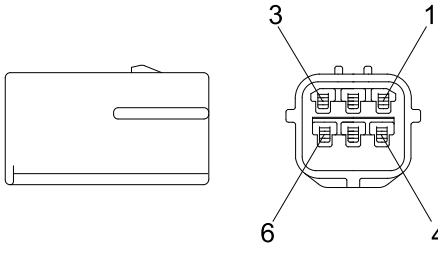
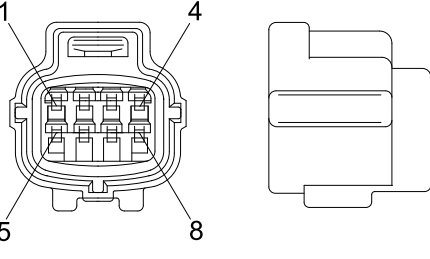
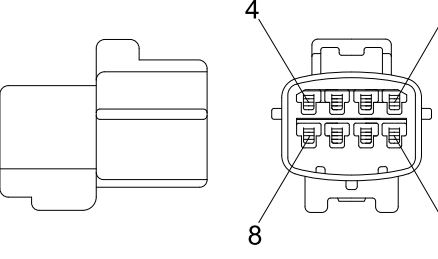
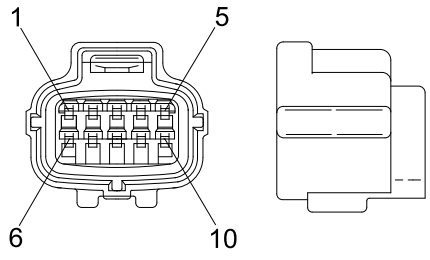
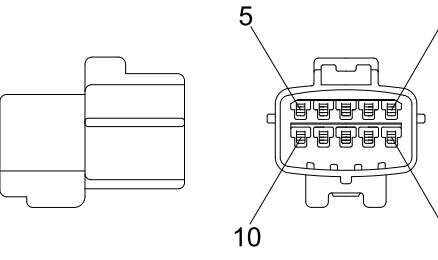
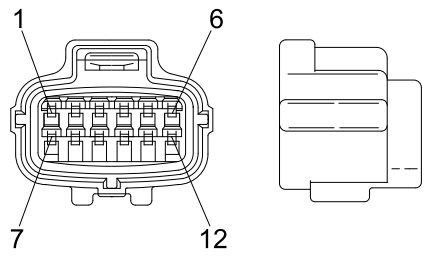
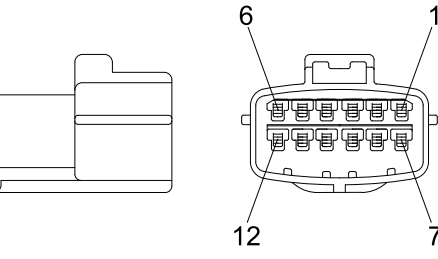
| No. of pin | Receptacle connector (female) | Plug connector (male) |
|------------|---|-----------------------|
| 10 |  <p data-bbox="694 1276 837 1299">SWF593757</p> | |

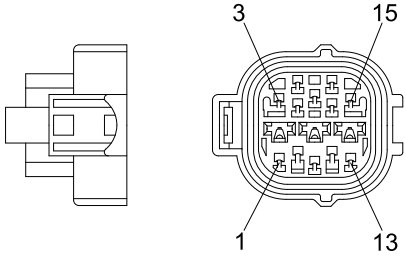
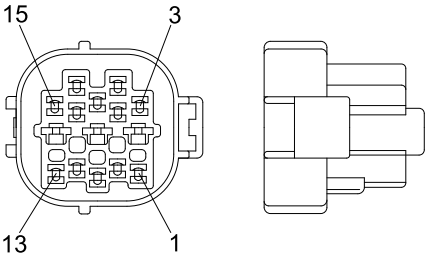
17) MWP NMWP CONNECTOR

| No. of pin | Receptacle connector (female) | Plug connector (male) |
|------------|--|-----------------------|
| 1 |  <p data-bbox="686 1892 837 1915">NMWP01F-B</p> | |

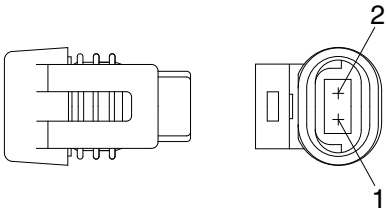
18) ECONOSEAL J TYPE CONNECTORS

| No. of pin | Receptacle connector (female) | Plug connector (male) |
|------------|--|---|
| 1 |  <p style="text-align: center;">S816-001002</p> |  <p style="text-align: center;">S816-101002</p> |
| 2 |  <p style="text-align: center;">S816-002002</p> |  <p style="text-align: center;">S816-102002</p> |
| 3 |  <p style="text-align: center;">S816-003002</p> |  <p style="text-align: center;">S816-103002</p> |
| 4 |  <p style="text-align: center;">S816-004002</p> |  <p style="text-align: center;">S816-104002</p> |

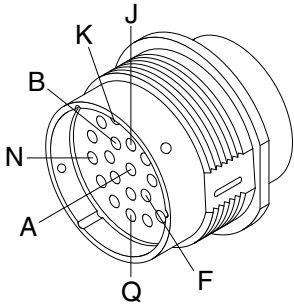
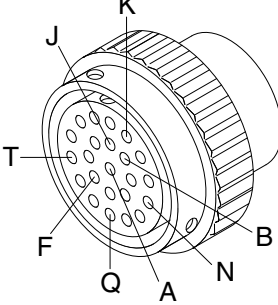
| No. of pin | Receptacle connector (female) | Plug connector (male) |
|------------|--|---|
| 6 |  <p data-bbox="686 638 837 672">S816-006002</p> |  <p data-bbox="1244 638 1396 672">S816-106002</p> |
| 8 |  <p data-bbox="686 1041 837 1075">S816-008002</p> |  <p data-bbox="1244 1041 1396 1075">S816-108002</p> |
| 10 |  <p data-bbox="686 1444 837 1478">S816-010002</p> |  <p data-bbox="1244 1444 1396 1478">S816-110002</p> |
| 12 |  <p data-bbox="686 1848 837 1881">S816-012002</p> |  <p data-bbox="1244 1848 1396 1881">S816-112002</p> |

| No. of pin | Receptacle connector (female) | Plug connector (male) |
|------------|---|---|
| 15 |  <p data-bbox="730 636 836 667">368301-1</p> |  <p data-bbox="1278 636 1383 667">2-85262-1</p> |

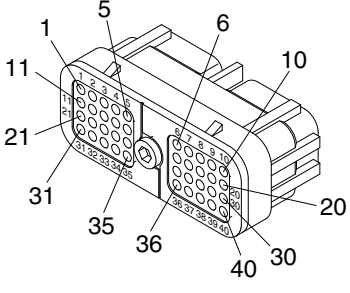
19) METRI-PACK TYPE CONNECTOR

| No. of pin | Receptacle connector (female) | Plug connector (male) |
|------------|--|-----------------------|
| 2 |  <p data-bbox="724 1240 829 1272">12040753</p> | |

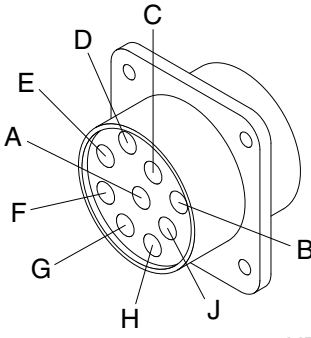
20) DEUTSCH HD30 CONNECTOR

| No. of pin | Receptacle connector (female) | Plug connector (male) |
|------------|---|--|
| 23 |  <p data-bbox="667 1839 836 1870">HD36-24-23SN</p> |  <p data-bbox="1225 1839 1394 1870">HD34-24-23PN</p> |

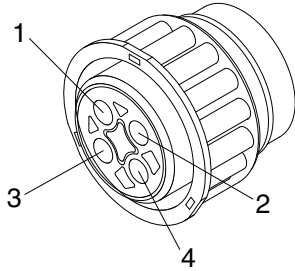
21) DEUTSCH MCU CONNECTOR

| No. of pin | Receptacle connector (female) | Plug connector (male) |
|------------|--|-----------------------|
| 40 |  <p style="text-align: right;">DRC26-40SA/B</p> | |

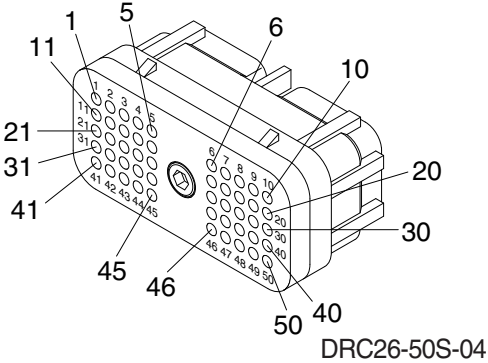
22) DEUTSCH SERVICE TOOL CONNECTOR

| No. of pin | Receptacle connector (female) | Plug connector (male) |
|------------|---|-----------------------|
| 9 |  <p style="text-align: right;">HD10-9-96P</p> | |

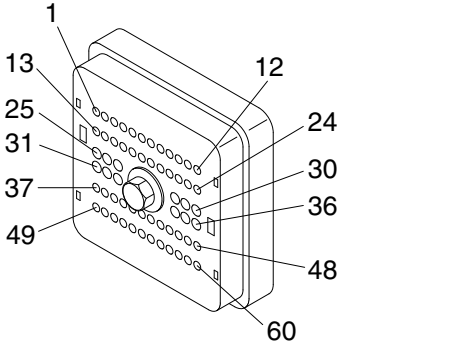
23) AMP FUEL WARMER CONNECTOR

| No. of pin | Receptacle connector (female) | Plug connector (male) |
|------------|--|-----------------------|
| 4 |  <p style="text-align: right;">2-967325-3</p> | |

24) DEUTSCH ENGINE ECM CONNECTOR

| No. of pin | Receptacle connector (female) | Plug connector (male) |
|------------|--|-----------------------|
| 50 |  <p style="text-align: right;">DRC26-50S-04</p> | |

25) DEUTSCH INTERMEDIATE CONNECTOR

| No. of pin | Receptacle connector (female) | Plug connector (male) |
|------------|---|-----------------------|
| 60 |  <p style="text-align: right;">DRB16-60SAE-L018</p> | |