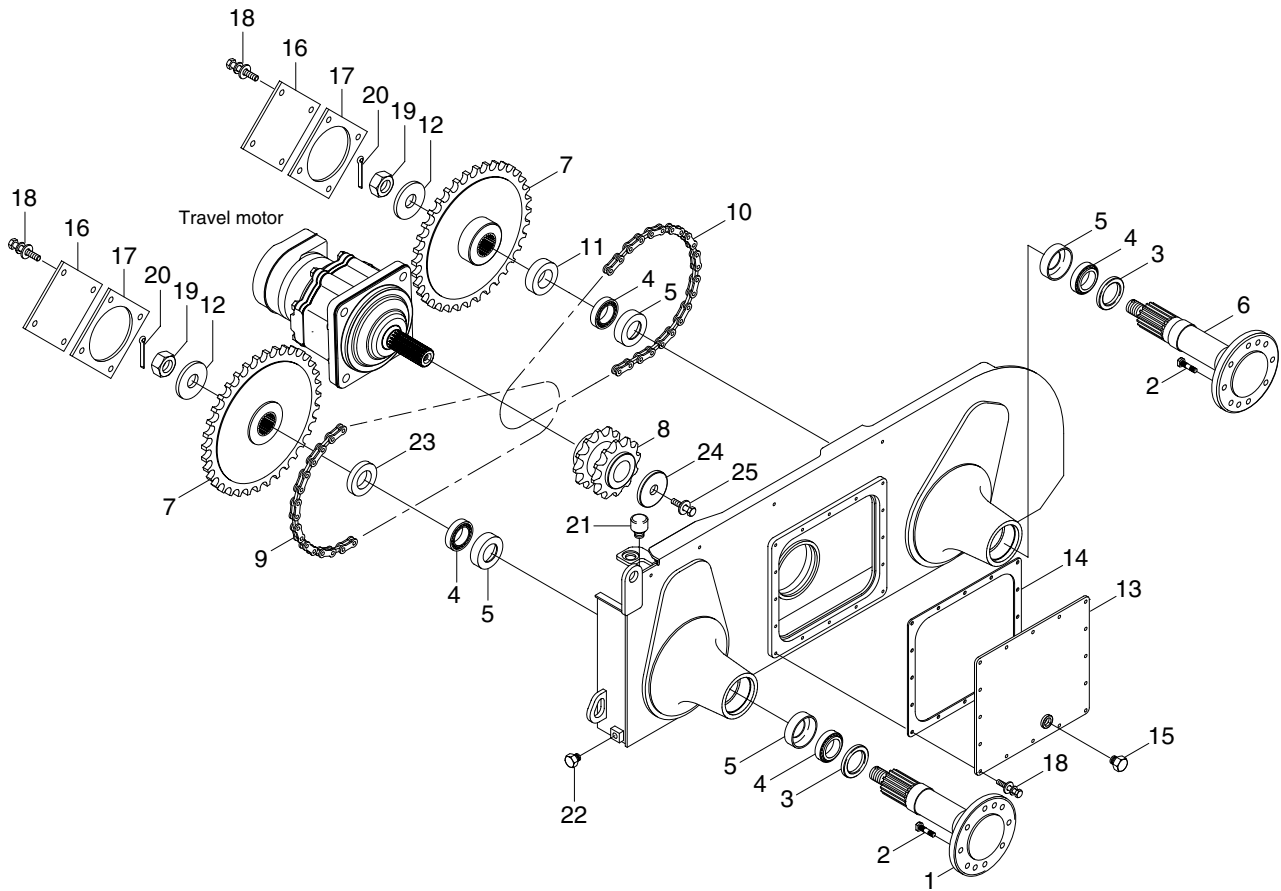


SECTION 4 POWER TRAIN

Group 1 Power train component	4-1
Group 2 Front and rear axle	4-2

SECTION 4 POWER TRAIN

GROUP 1 POWER TRAIN COMPONENT



6507APT01

- | | | | | | |
|---|----------------------|------|---------------------|----|----------------|
| 1 | Axle shaft | 9-1 | Connecting link kit | 17 | Gasket |
| 2 | Wheel bolt | 10 | Chain assy | 18 | W/Washer bolt |
| 3 | Seal | 10-1 | Connecting link kit | 19 | Castle nut |
| 4 | Taper roller bearing | 11 | Spacer | 20 | Split pin |
| 5 | Bearing cup | 12 | Washer | 21 | Breather |
| 6 | Axle shaft | 13 | Cover | 22 | Plug |
| 7 | Sprocket | 14 | Gasket | 23 | Spacer |
| 8 | Sprocket | 15 | Plug | 24 | Special washer |
| 9 | Chain assy | 16 | Cover | 25 | W/Washer bolt |