

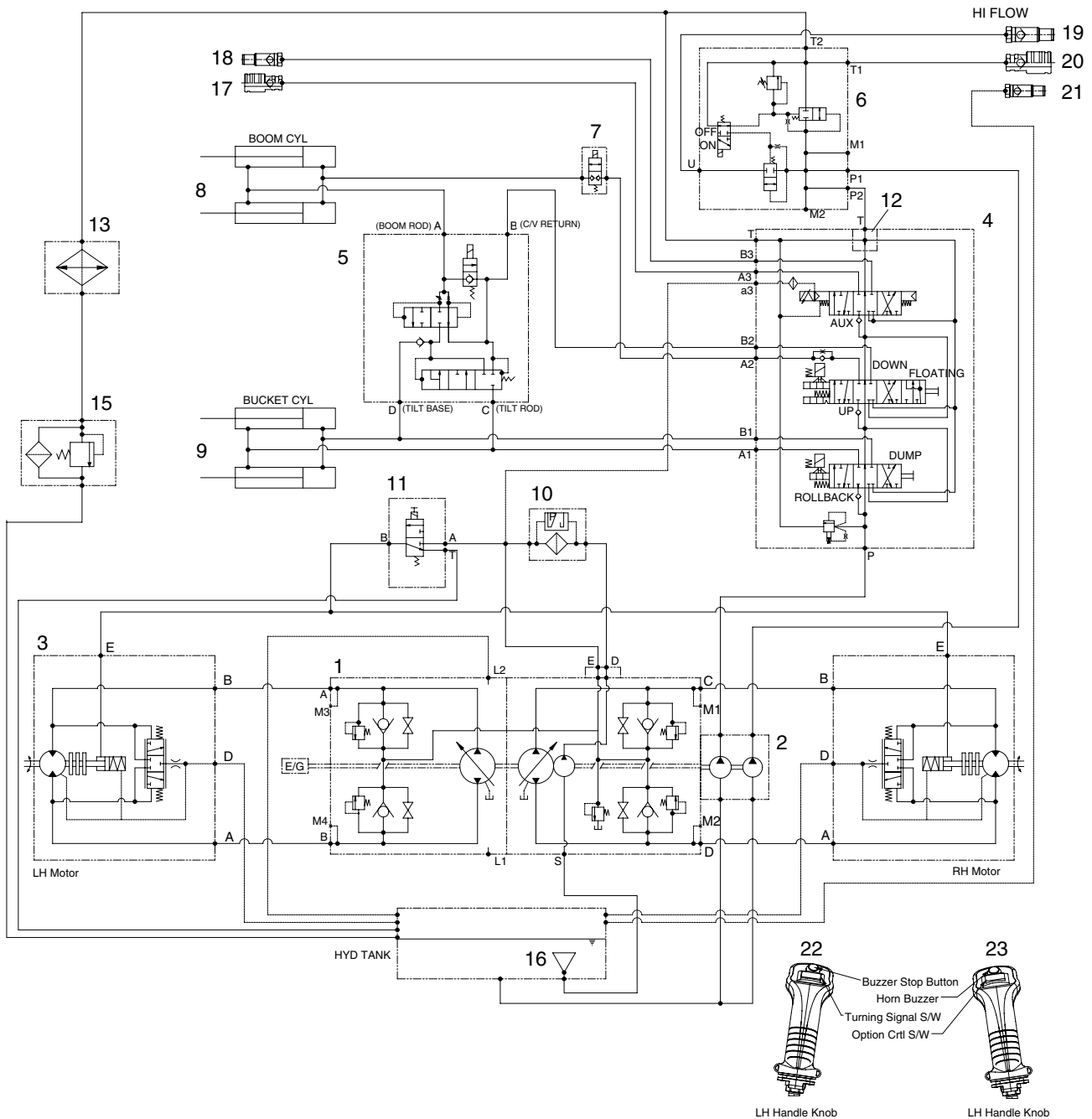
## SECTION 2 HYDRAULIC SYSTEM

Group 1	Hydraulic circuit .....	2-1
Group 2	Hydraulic component testing .....	2-3
Group 3	Self level valve(Optional) .....	2-14
Group 4	Auxiliary pump .....	2-20
Group 5	HST pump (Mechanical type) .....	2-36
Group 6	HST pump (Pilot type) .....	2-63
Group 7	Travel motor .....	2-82
Group 8	Main control valve .....	2-108
Group 9	Boom and bucket cylinder .....	2-122

# SECTION 2 HYDRAULIC SYSTEM

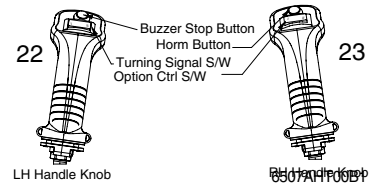
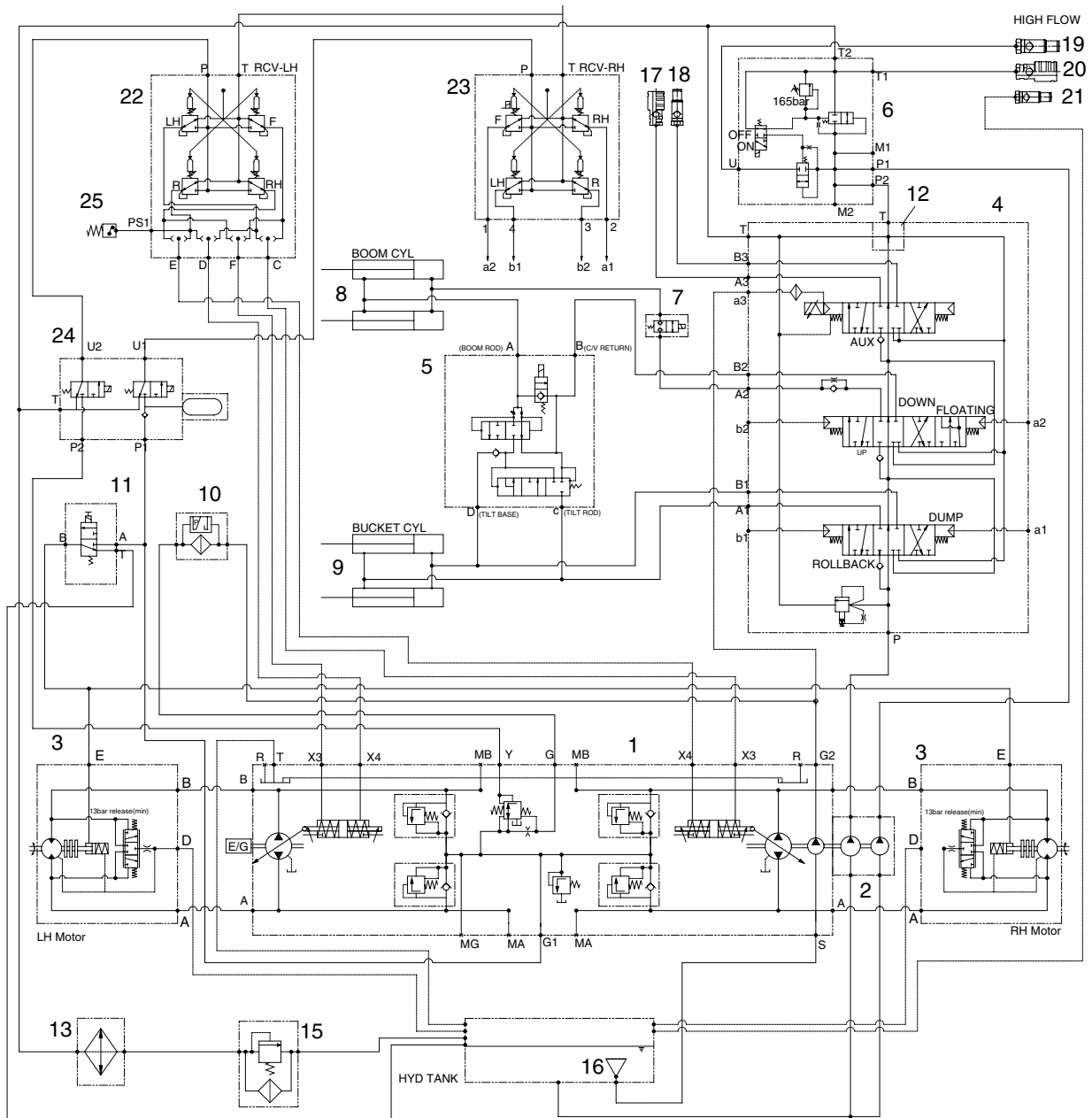
## GROUP 1 HYDRAULIC CIRCUIT

### 1. MECHANICAL TYPE



- |   |                           |    |                        |    |                                |
|---|---------------------------|----|------------------------|----|--------------------------------|
| 1 | HST pump                  | 9  | Bucket cylinder        | 18 | Quick coupler (male)           |
| 2 | Auxiliary pump            | 10 | Filter assy            | 19 | Quick coupler (female, option) |
| 3 | Travel motor              | 11 | Parking solenoid valve | 20 | Quick coupler (male, option)   |
| 4 | Main control valve        | 12 | Power beyond sleeve    | 21 | Quick coupler (male, option)   |
| 5 | Self level valve (option) | 13 | Oil cooler             | 22 | Remote control valve-LH        |
| 6 | High flow valve (option)  | 15 | Return filter          | 23 | Remote control valve-RH        |
| 7 | Safety solenoid valve     | 16 | Suction strainer       |    |                                |
| 8 | Boom cylinder             | 17 | Quick coupler (female) |    |                                |

## 2. PILOT TYPE



- |   |                           |    |                        |    |                              |
|---|---------------------------|----|------------------------|----|------------------------------|
| 1 | HST pump                  | 10 | Filter assy            | 20 | Quick coupler (male, option) |
| 2 | Auxiliary pump            | 11 | Parking solenoid valve | 21 | Quick coupler (male, option) |
| 3 | Travel motor              | 12 | Power beyond sleeve    | 22 | Remote control valve-LH      |
| 4 | Main control valve        | 13 | Oil cooler             | 23 | Remote control valve-RH      |
| 5 | Self level valve (option) | 15 | Return filter          | 24 | Pilot lock valve             |
| 6 | High flow valve (option)  | 16 | Suction strainer       | 25 | Pressure switch              |
| 7 | Safety solenoid valve     |    |                        |    |                              |
| 8 | Boom cylinder             |    |                        |    |                              |
| 9 | Bucket cylinder           |    |                        |    |                              |
|   |                           |    |                        |    |                              |
|   |                           |    |                        |    |                              |
|   |                           |    |                        |    |                              |