

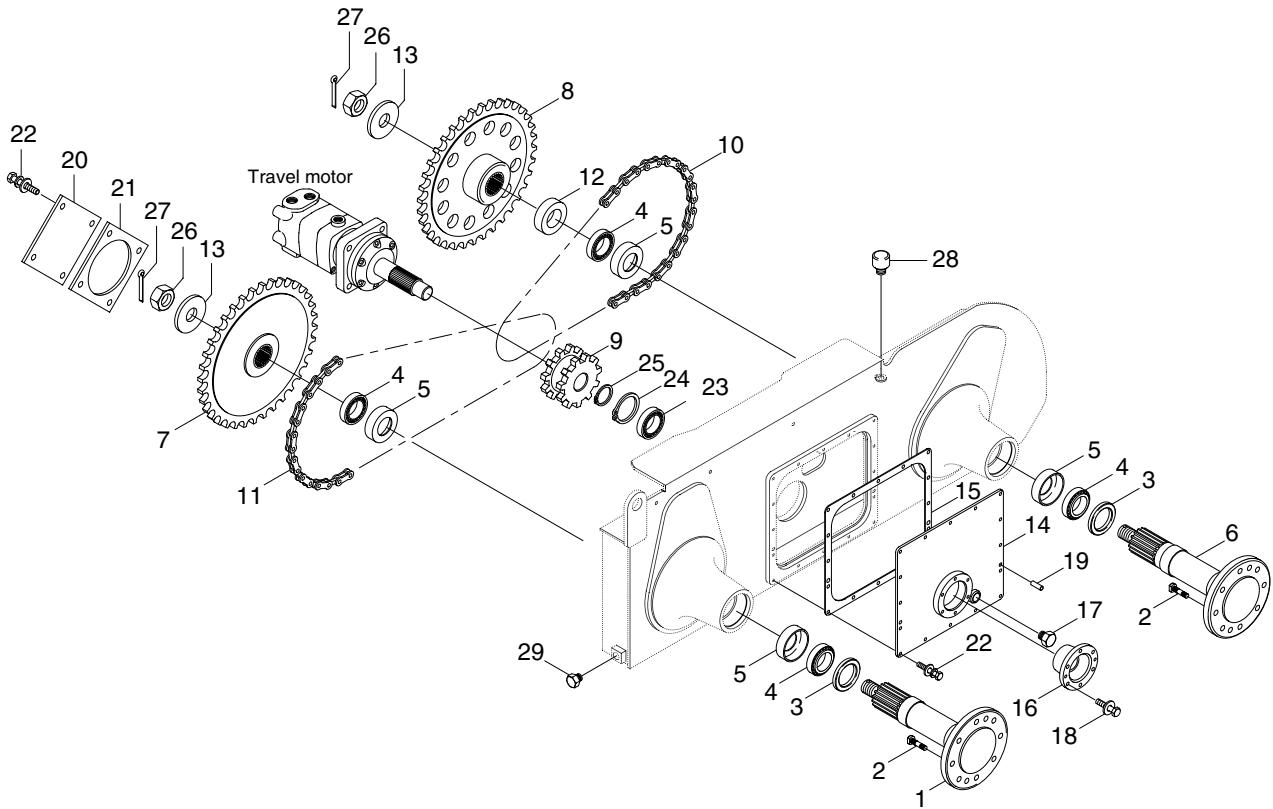
SECTION 4 POWER TRAIN



Group 1 Power train component	4-1
Group 2 Front and rear axle	4-2

SECTION 4 POWER TRAIN

GROUP 1 POWER TRAIN COMPONENT



8007PT01

1	Front axle shaft	11	Chain assembly(58 link)	21	Gasket
2	Wheel bolt	12	Rear sprocket spacer	22	Hexagon bolt
3	Seal	13	Washer	23	Roller bearing
4	Taper roller bearing	14	Cover	24	Retaining ring
5	Bearing cup	15	Gasket	25	Retaining ring
6	Rear axle shaft	16	Retainer	26	Hex slotted nut
7	Front sprocket	17	Hexagon plug	27	Split pin
8	Rear sprocket	18	Hexagon bolt	28	Air breather
9	Center sprocket	19	Dowel pin	29	Hexagon plug
10	Chain assembly(56 link)	20	Cover		