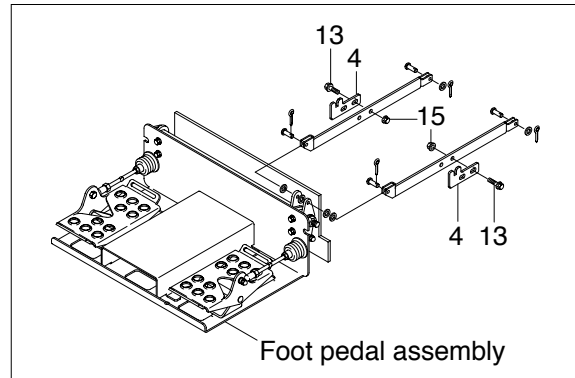


GROUP 2 FOOT CONTROL

Be sure engine turn off and boom and bucket lowered on ground before removal and installation work of foot control device.

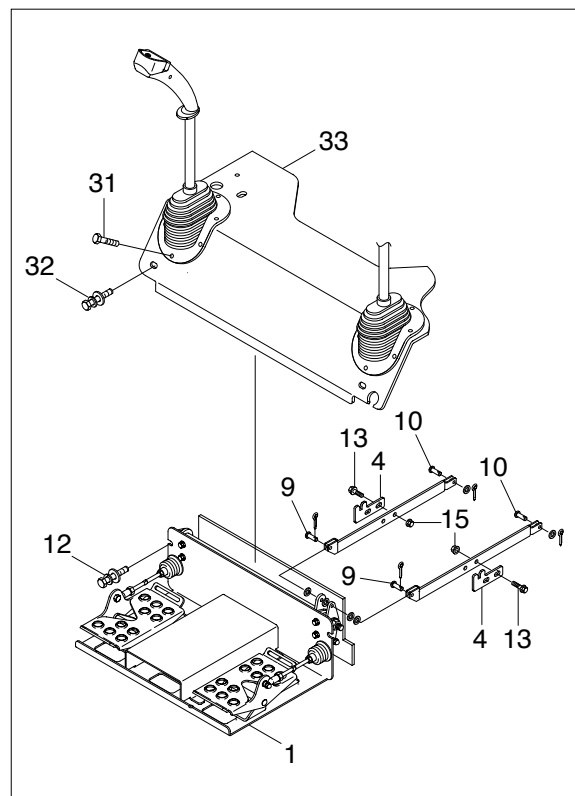
1. ADJUSTMENT

- 1) Raise operators cab to service position.
Refer to operator's manual at page 4-14.
- 2) Check pedal lock(4) by move seat bar to up and down.
- 3) Adjust pedal lock by turn lock bolt(13,15).



2. REMOVAL

- 1) Lower boom and bucket on ground and block the loader securely with four wheels clear of the ground.
- 2) Raise operators cab to service position.
Refer to operator's manual at page 4-14.
- 3) Remove bolts(31) secure to rubber boots.
- 4) Loosen front cover bolts(32) and remove front cover(33).
- 5) Remove clevis pin(9,10) from link plate.
- 6) Loosen the mounting bolts(12) and remove foot pedal assembly(1).



3. INSTALL

Carry out installation in the reverse order to removal.

- 1) Install foot pedal assembly and tighten the mounting bolt(12).
- 2) Install link plate between control valve and pedal assembly.
- 3) Adjust pedal to keep clearance of pedal lower end to 50mm by turn rod(3).
- 4) Install front cover(33).
- 5) Secure rubber boots.
- 6) Lower canopy and check pedal lock(4) by move seat bar to up and down.

