

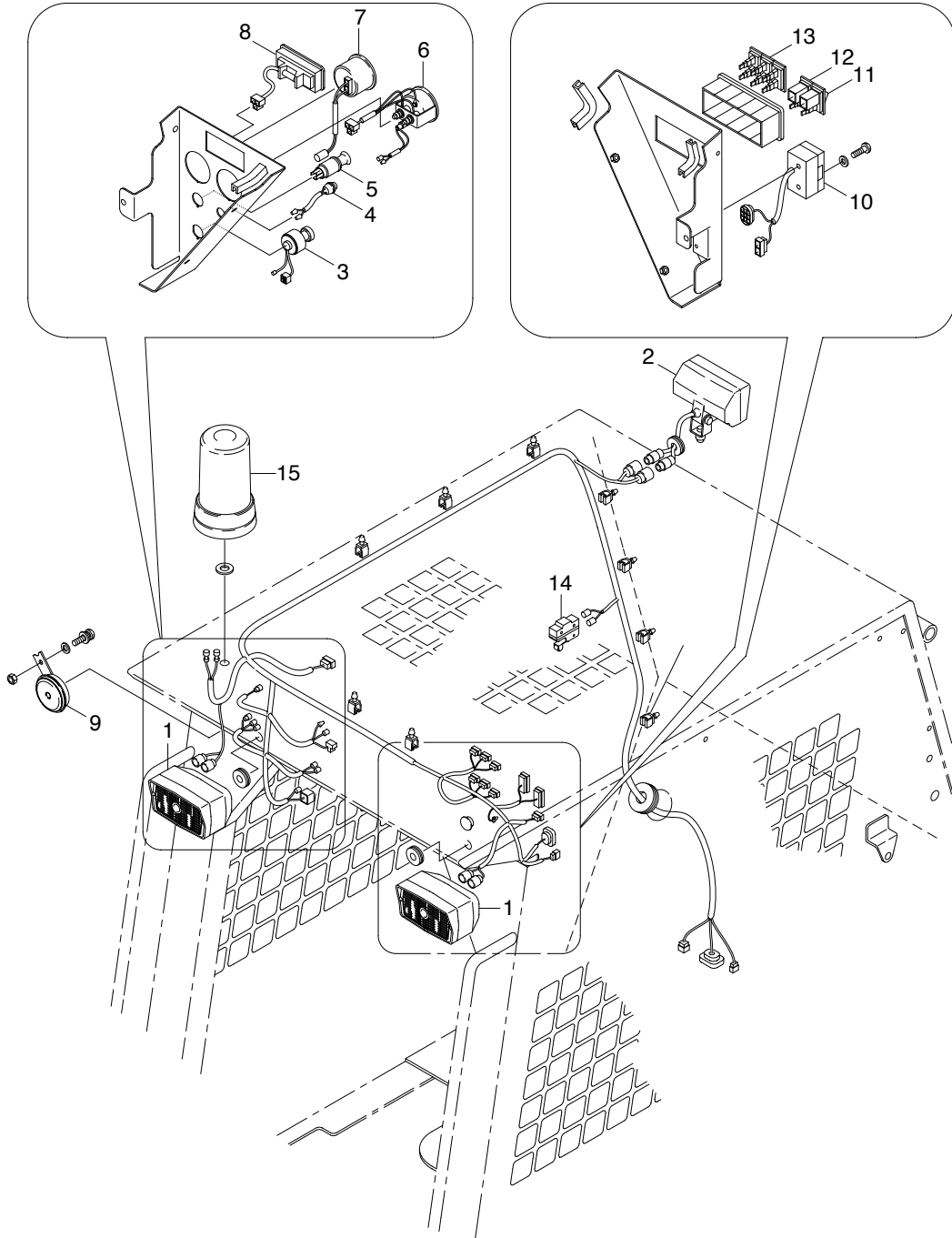
## SECTION 3 ELECTRICAL SYSTEM

Group 1 Component location .....	3-1
Group 2 Wiring diagram .....	3-3
Group 3 Electrical component specification .....	3-16
Group 4 Connector destination .....	3-18

# SECTION 3 ELECTRICAL SYSTEM

## GROUP 1 COMPONENT LOCATION

### 1. LOCATION 1



- |   |                         |    |                     |    |                         |
|---|-------------------------|----|---------------------|----|-------------------------|
| 1 | Work lamp               | 6  | Fuel gauge          | 11 | Beacon switch(Optional) |
| 2 | Rear lamp               | 7  | Hour meter          | 12 | Lamp switch             |
| 3 | Start switch            | 8  | Room lamp(Optional) | 13 | Indicators              |
| 4 | Reset switch            | 9  | Horn                | 14 | Micro switch            |
| 5 | Cigar lighter(Optional) | 10 | Fuse box            | 15 | Beacon lamp(Optional)   |