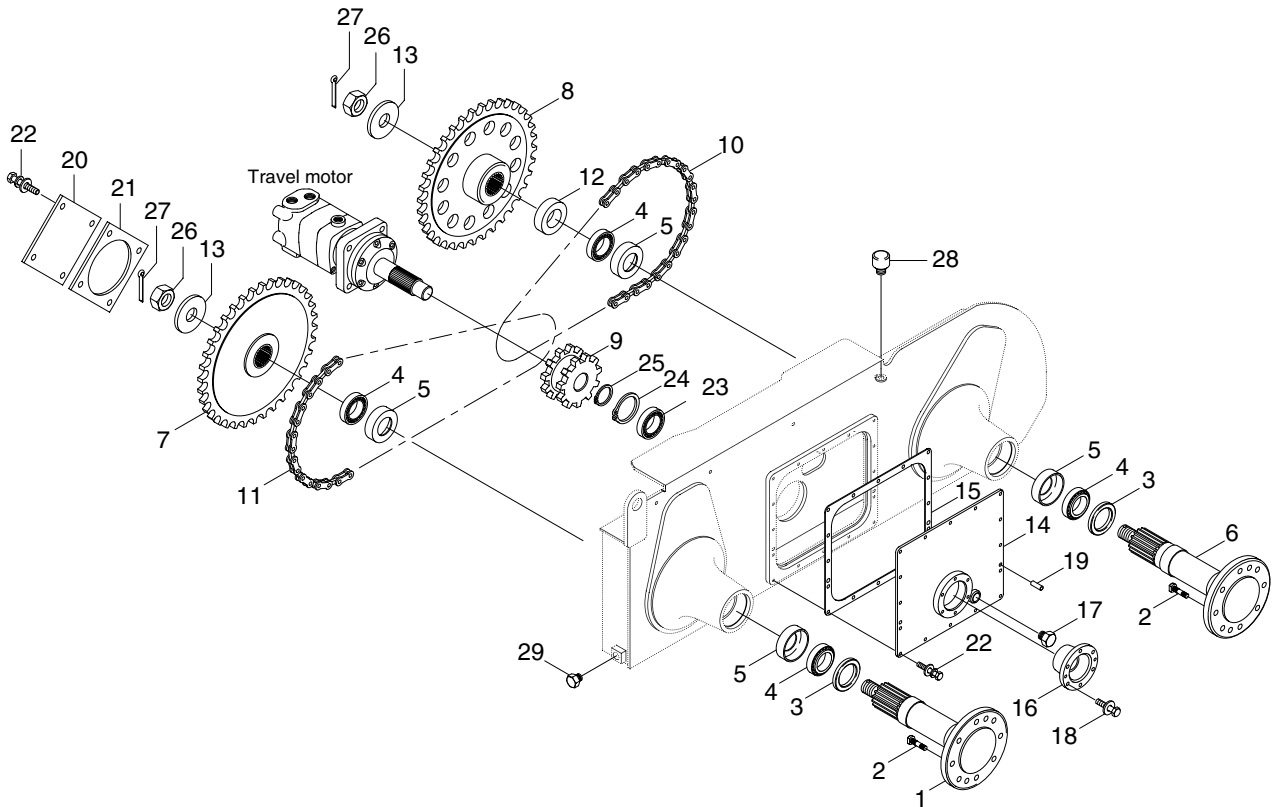


## SECTION 4 POWER TRAIN

Group 1 Power train component .....	4-1
Group 2 Front and rear axle .....	4-2

# SECTION 4 POWER TRAIN

## GROUP 1 POWER TRAIN COMPONENT



8007PT01

- |    |                         |    |                         |    |                 |
|----|-------------------------|----|-------------------------|----|-----------------|
| 1  | Front axle shaft        | 11 | Chain assembly(58 link) | 21 | Gasket          |
| 2  | Wheel bolt              | 12 | Rear sprocket spacer    | 22 | Hexagon bolt    |
| 3  | Seal                    | 13 | Washer                  | 23 | Roller bearing  |
| 4  | Taper roller bearing    | 14 | Cover                   | 24 | Retaining ring  |
| 5  | Bearing cup             | 15 | Gasket                  | 25 | Retaining ring  |
| 6  | Rear axle shaft         | 16 | Retainer                | 26 | Hex slotted nut |
| 7  | Front sprocket          | 17 | Hexagon plug            | 27 | Split pin       |
| 8  | Rear sprocket           | 18 | Hexagon bolt            | 28 | Air breather    |
| 9  | Center sprocket         | 19 | Dowel pin               | 29 | Hexagon plug    |
| 10 | Chain assembly(56 link) | 20 | Cover                   |    |                 |