

## SECTION 7 ELECTRICAL SYSTEM

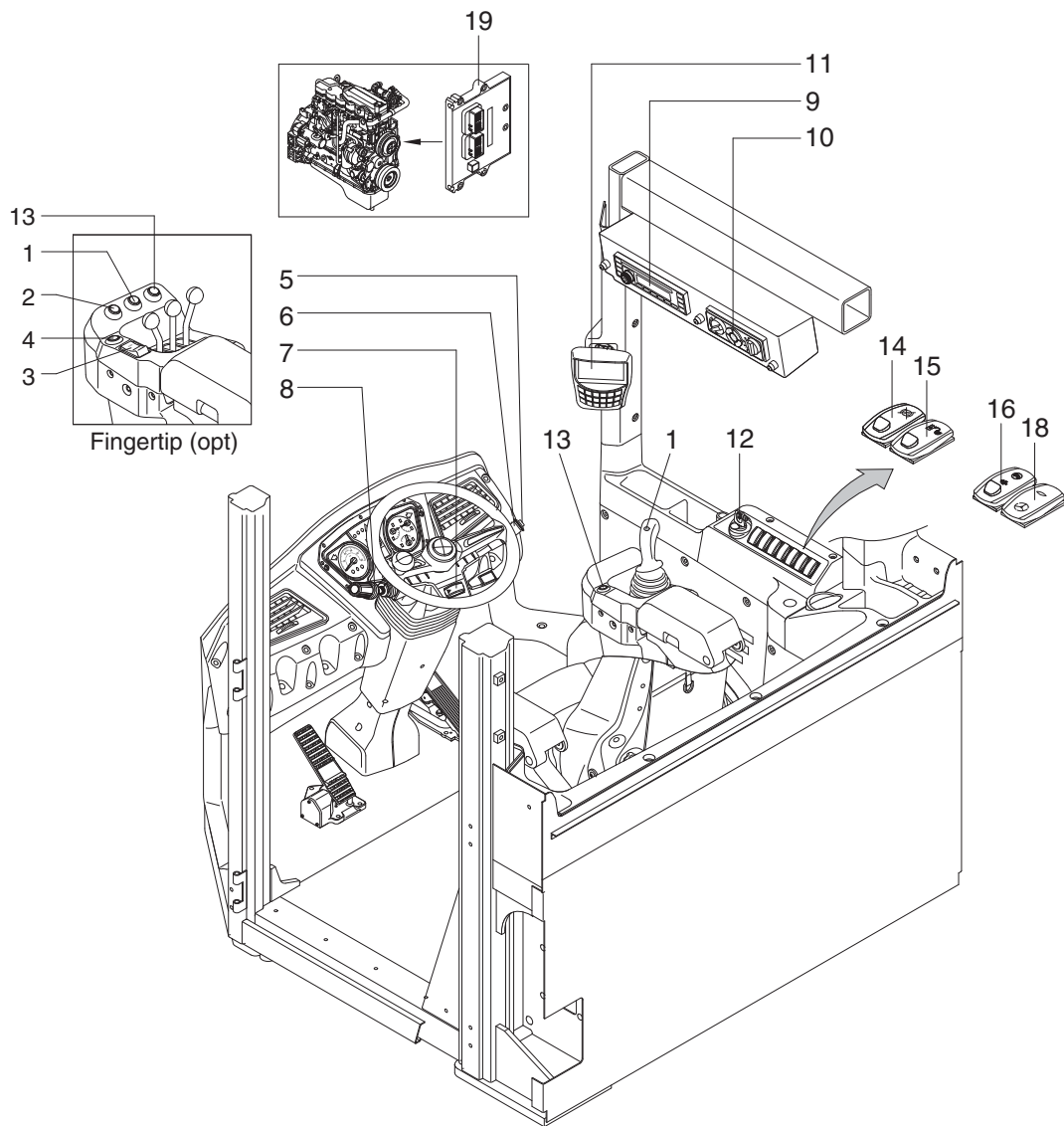
---

Group 1 Component Location .....	7-1
Group 2 Electrical Circuit .....	7-3
Group 3 Monitoring System .....	7-22
Group 4 Electrical Component Specification .....	7-69
Group 5 Connectors .....	7-76
Group 6 Troubleshooting .....	7-97

# SECTION 7 ELECTRICAL SYSTEM

## GROUP 1 COMPONENT LOCATION

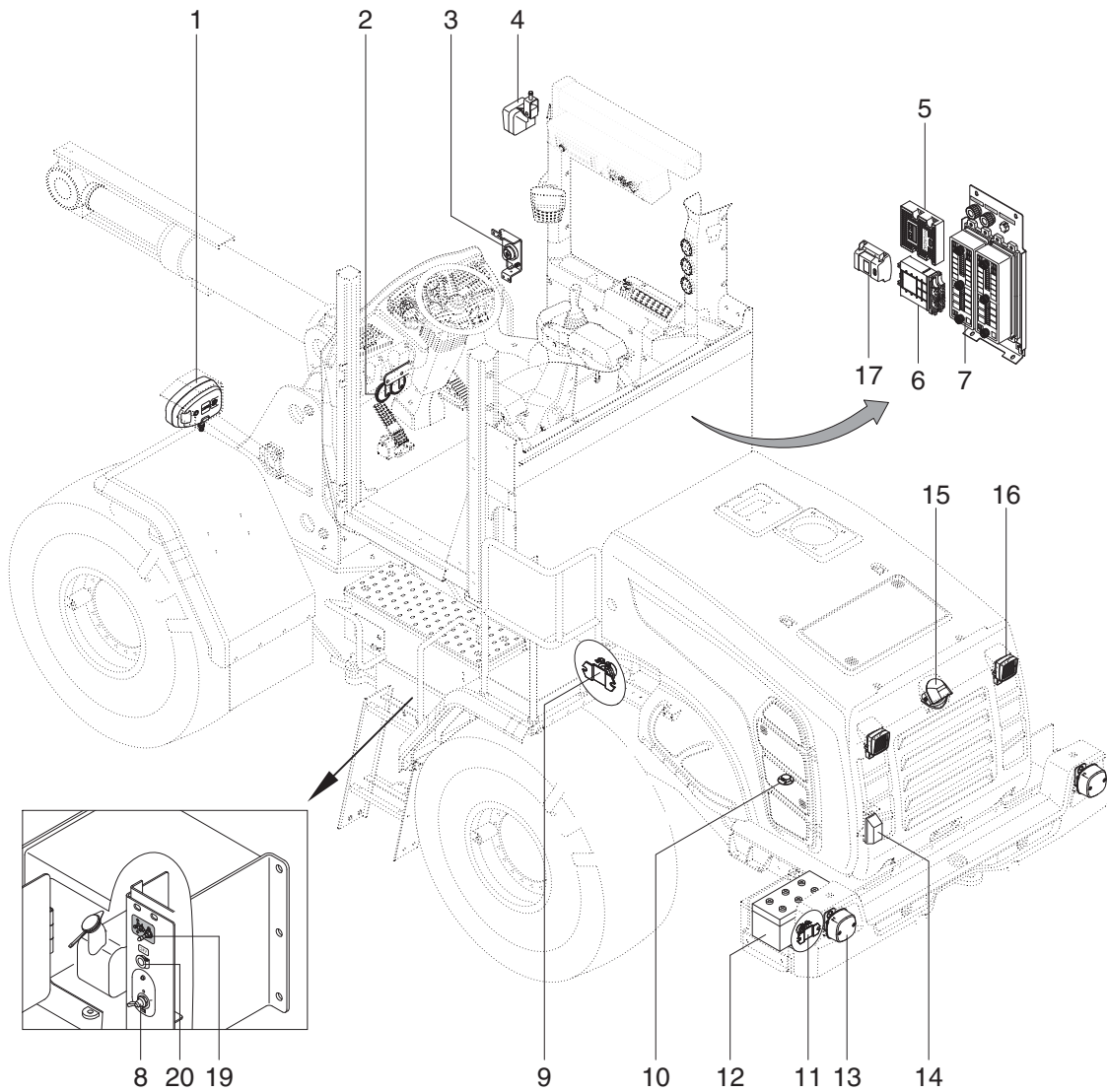
### 1. LOCATION 1



740F7EL20

- |                         |                           |                              |
|-------------------------|---------------------------|------------------------------|
| 1 Kick down button      | 8 Gear select lever       | 14 Parking brake switch      |
| 2 Horn button           | 9 Radio & USB player      | 15 Pilot cut off switch      |
| 3 FNR switch            | 10 Aircon & heater switch | 16 SCR switch                |
| 4 FNR select button     | 11 Monitor                | 18 Emergency test switch     |
| 5 Hone button           | 12 Starting switch        | 19 Engine control unit (ECU) |
| 6 Multi function switch | Starting button (opt)     |                              |
| 7 Hazard switch         | 13 Work load button       |                              |

## 2. LOCATION 2

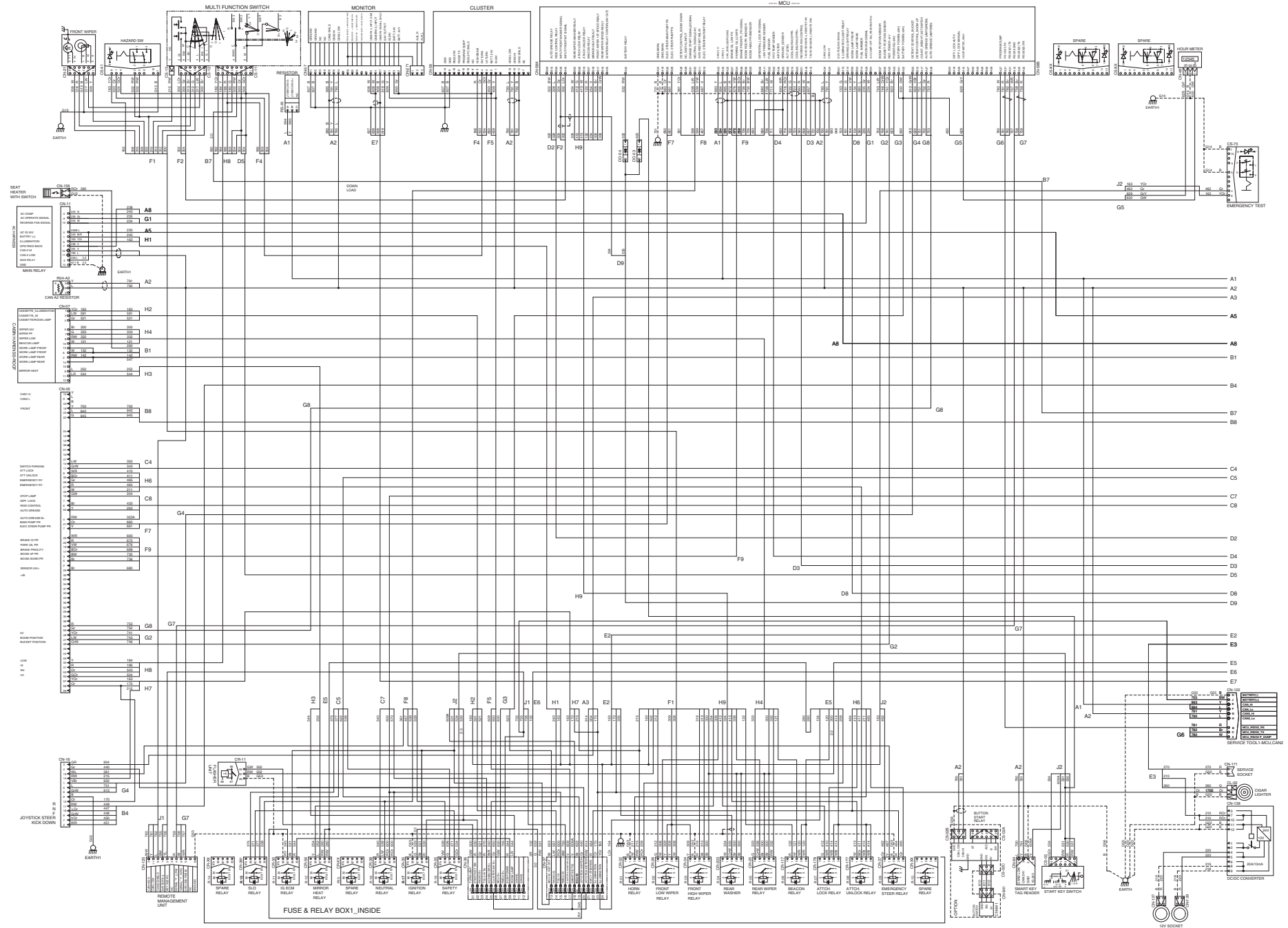


740F7EL21

- |   |                                 |    |                   |    |                         |
|---|---------------------------------|----|-------------------|----|-------------------------|
| 1 | Head lamp                       | 8  | Master switch     | 15 | Camera (opt)            |
| 2 | Horn                            | 9  | Start relay       | 16 | Work lamp               |
| 3 | Angle sensor                    | 10 | Fuel sender       | 17 | Control unit (RMCU)     |
| 4 | Work lamp                       | 11 | Battery relay     | 19 | Engine hood open switch |
| 5 | Machine control unit (MCU)      | 12 | Battery           | 20 | 24V socket              |
| 6 | Transmission control unit (TCU) | 13 | Rear combi lamp   |    |                         |
| 7 | Fuse and relay box              | 14 | Number plate lamp |    |                         |

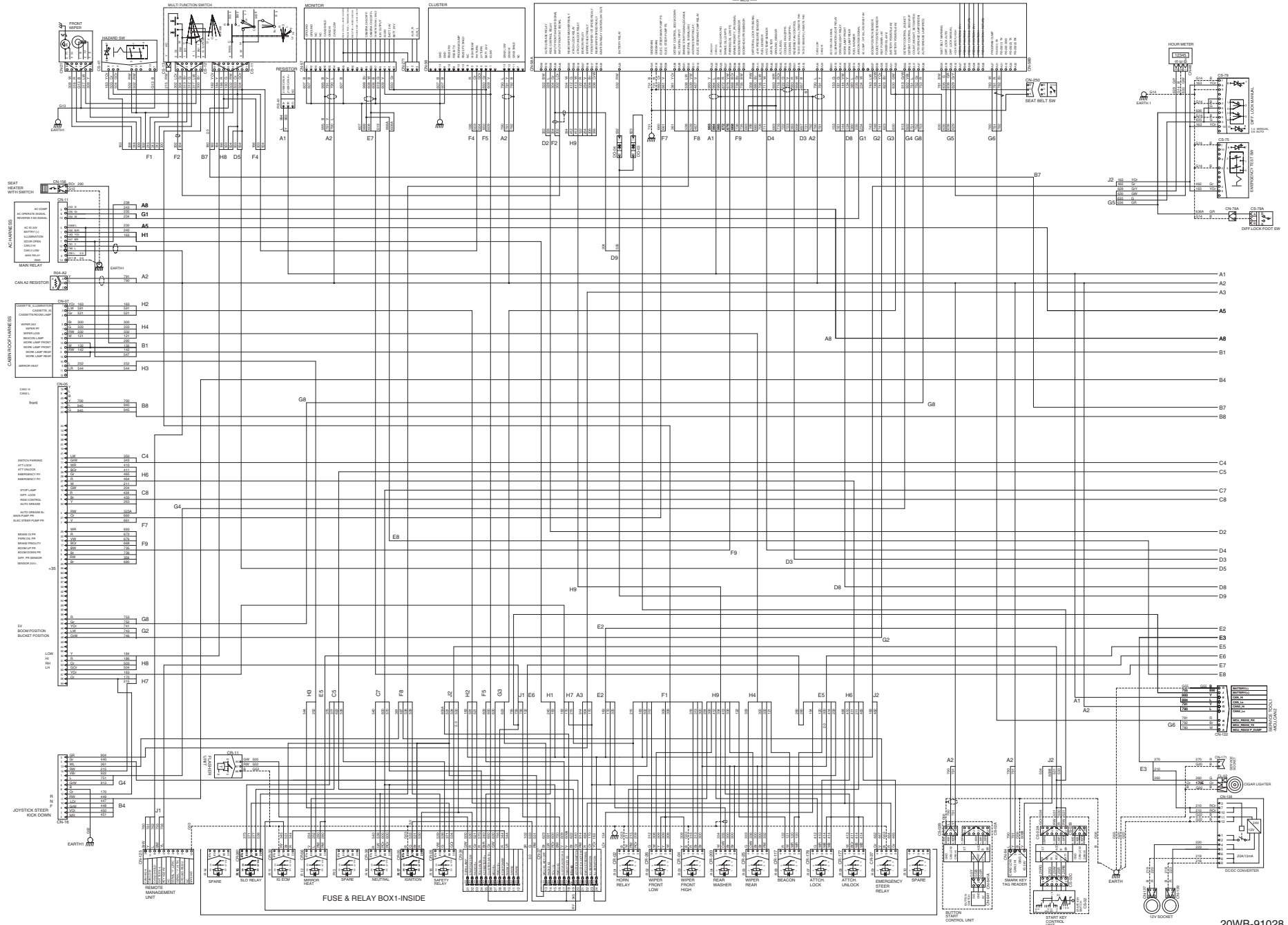
**GROUP 2 ELECTRICAL CIRCUIT**

• ELECTRICAL CIRCUIT (1/3, machine serial number : ~#0492)

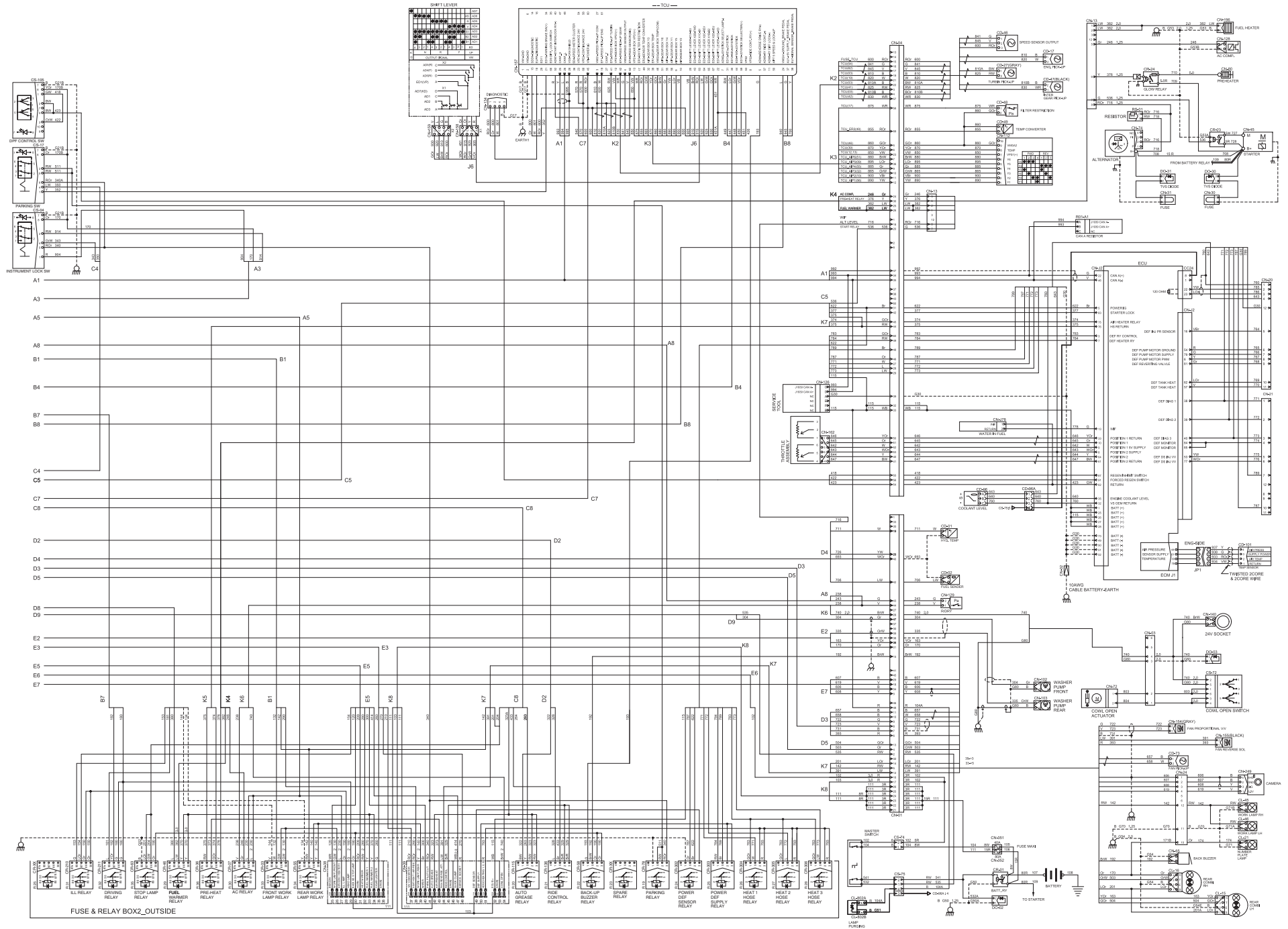


GROUP 2 ELECTRICAL CIRCUIT

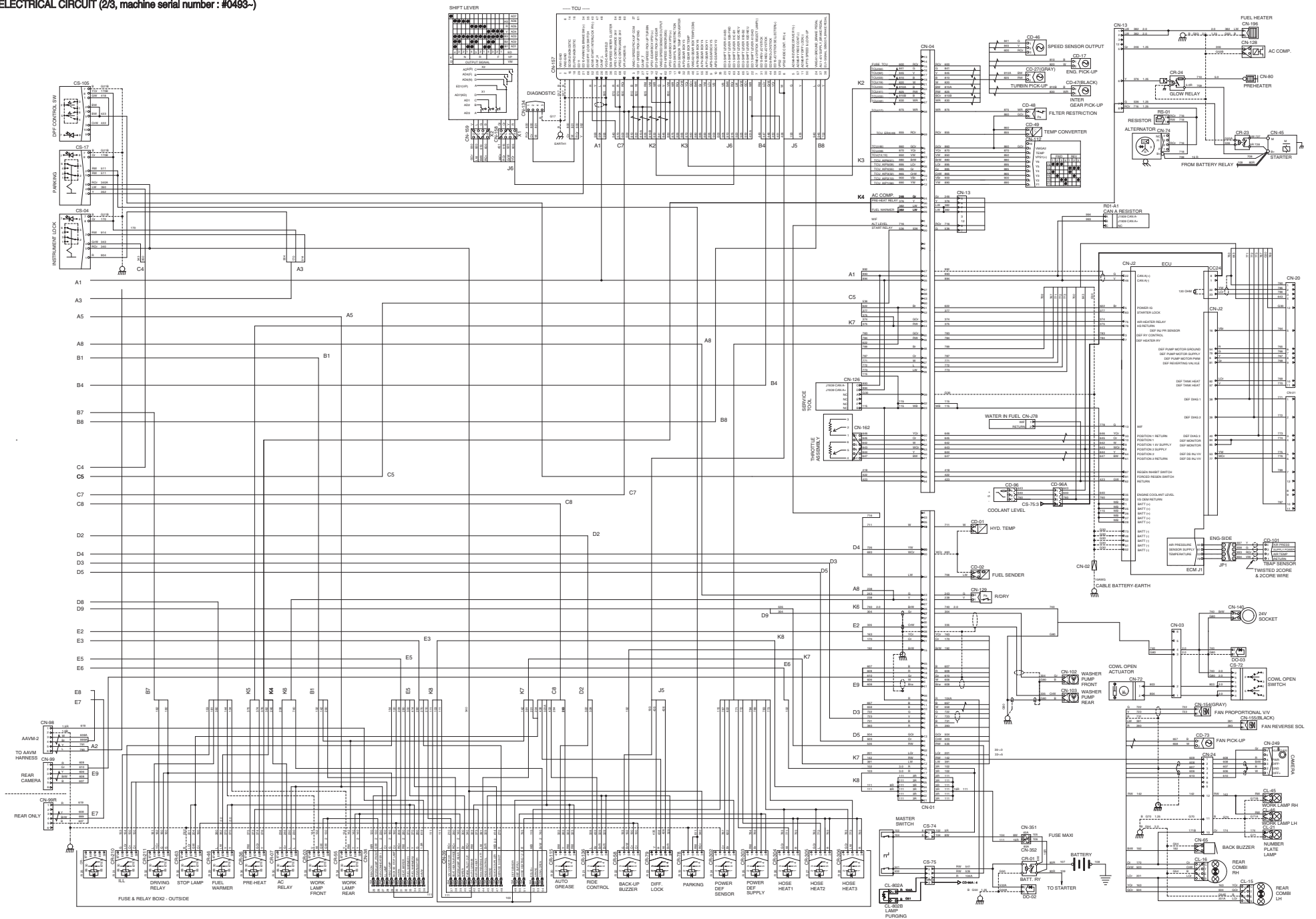
- ELECTRICAL CIRCUIT (1/3, machine serial number : #0493--)



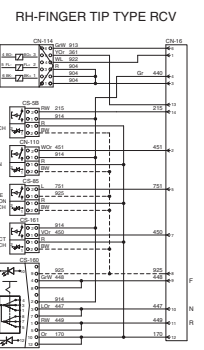
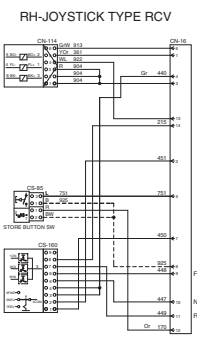
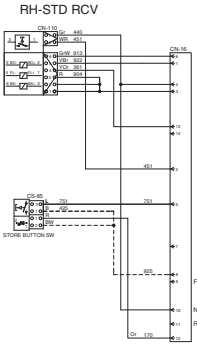
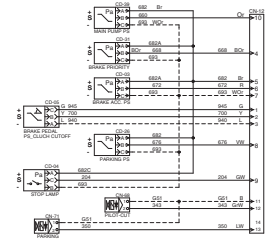
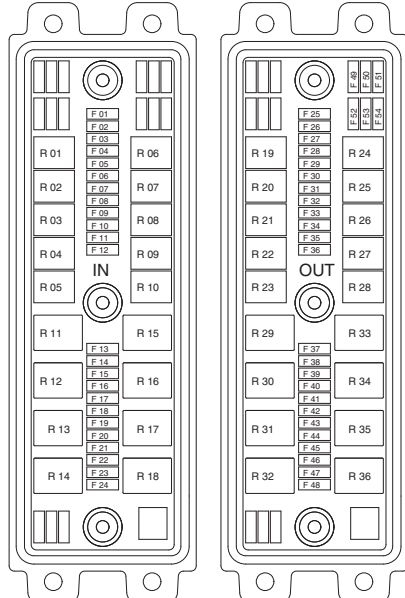
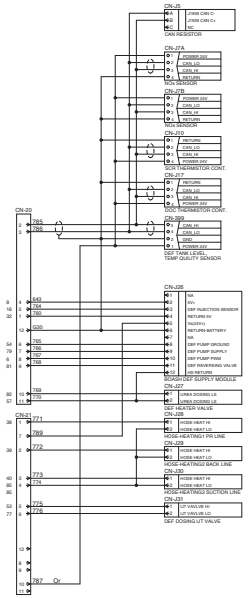
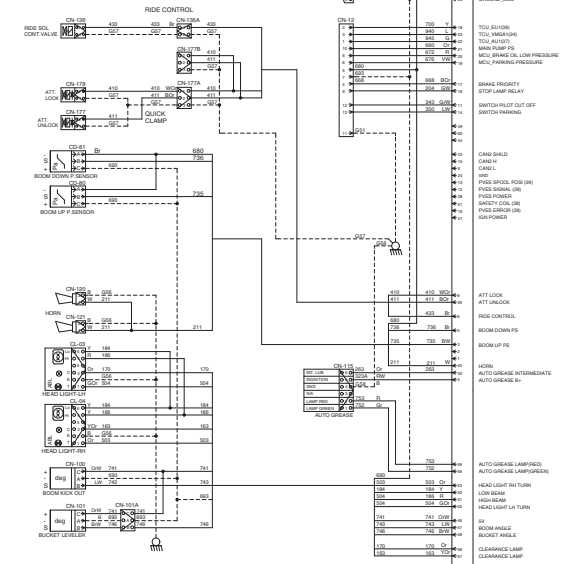
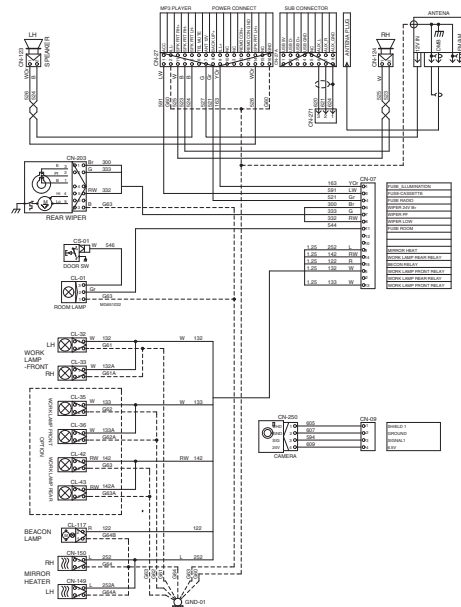
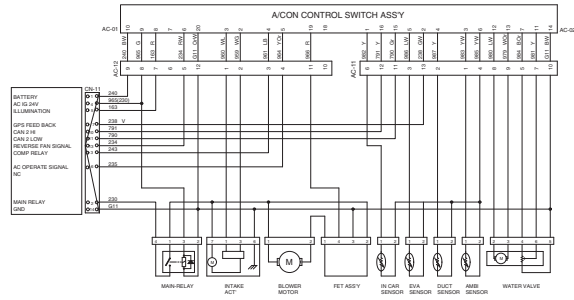
· ELECTRICAL CIRCUIT (2/3, machine serial number : ~#0492)



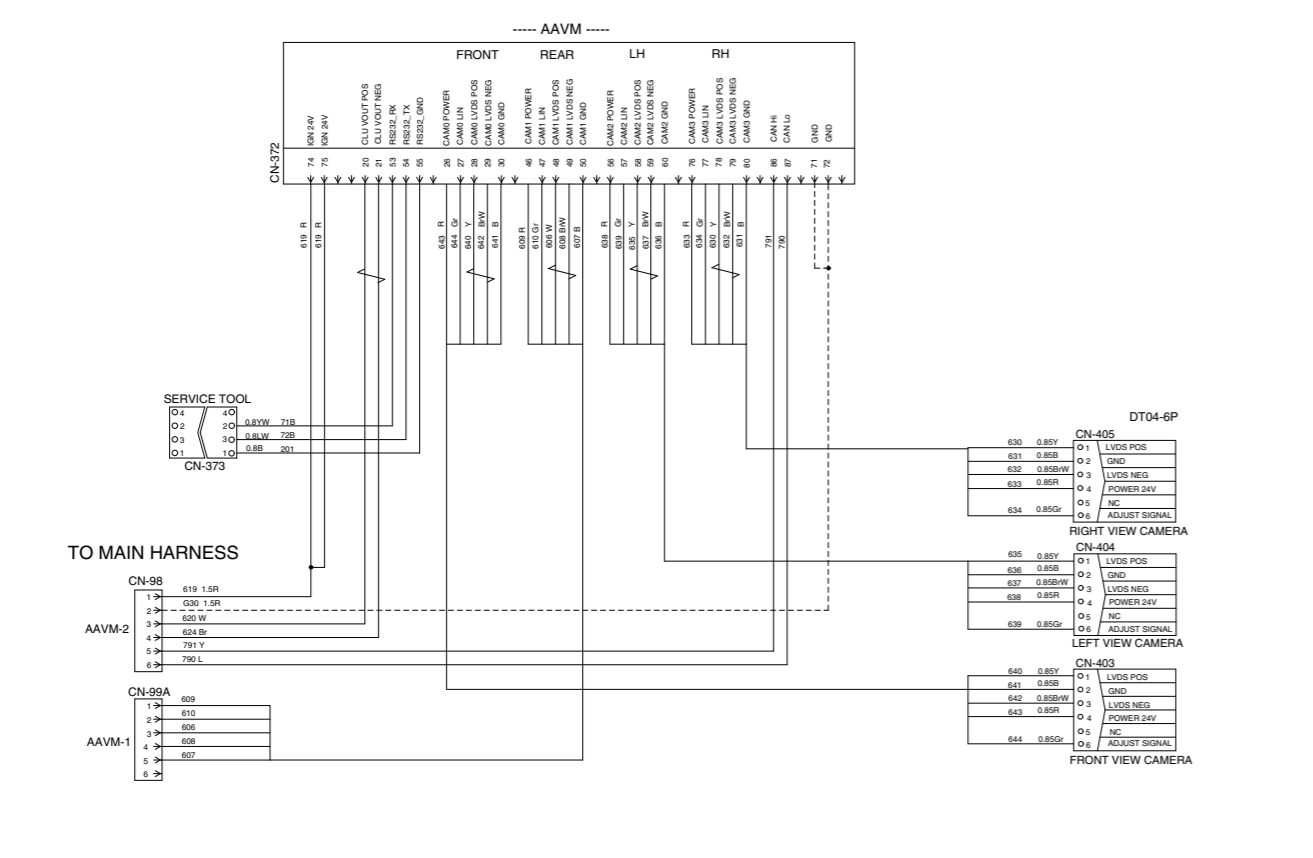
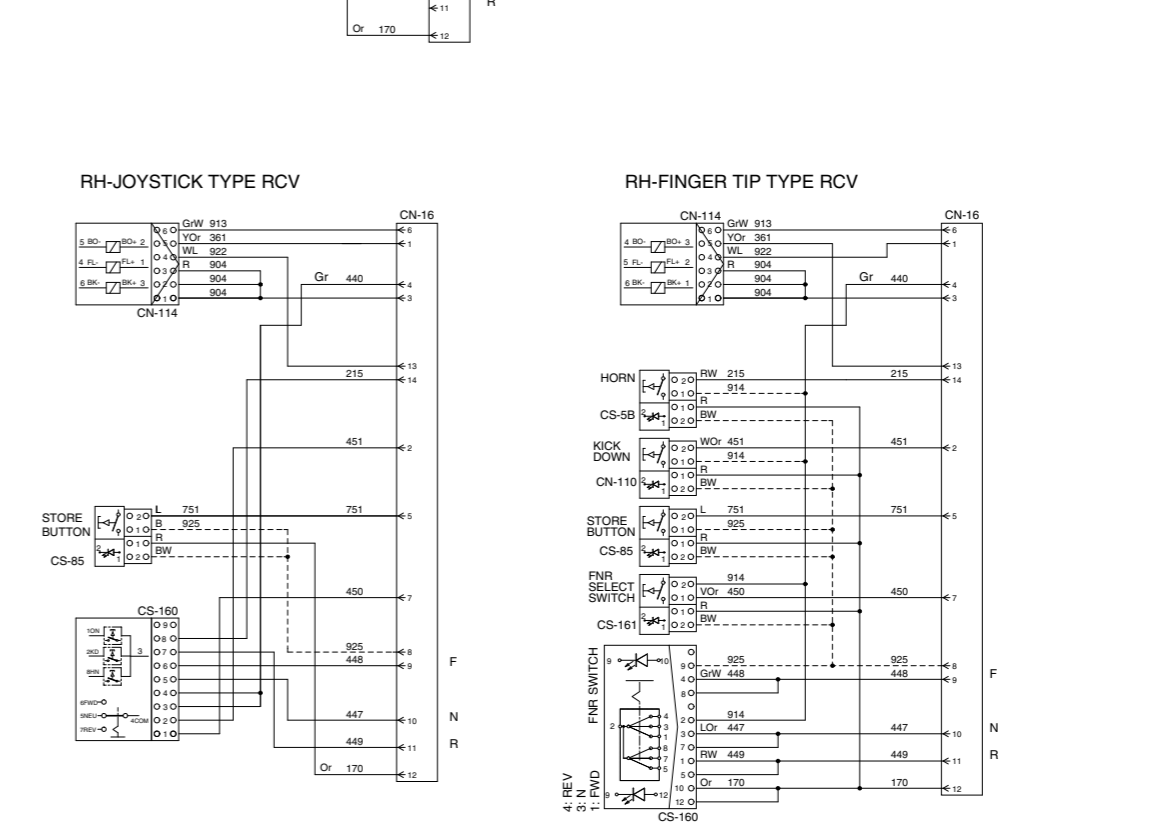
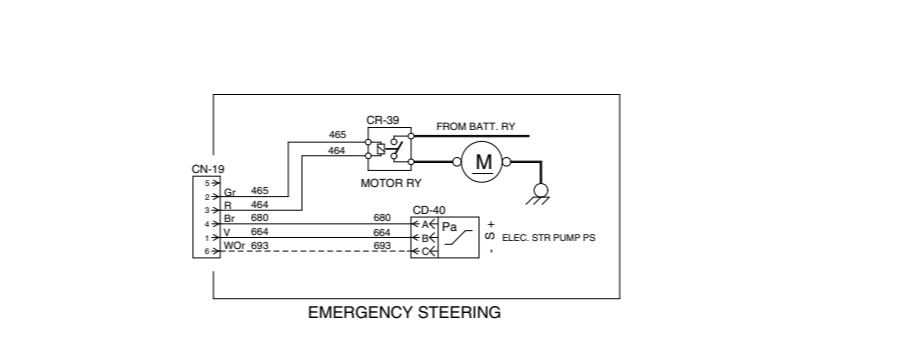
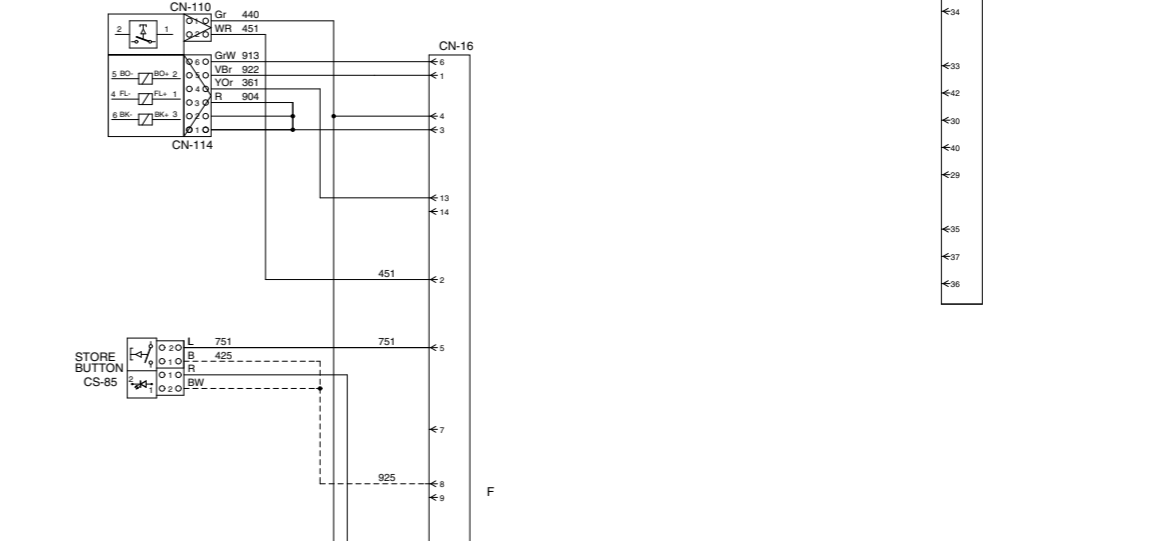
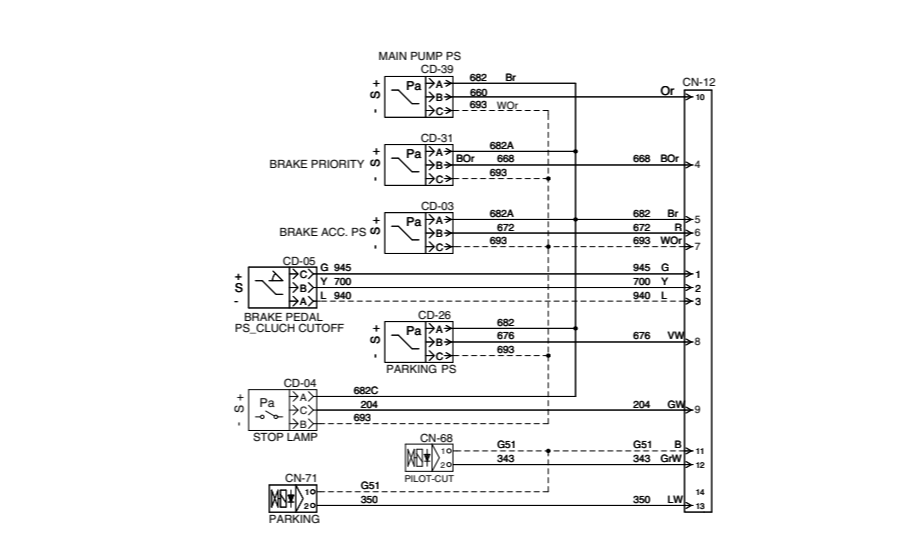
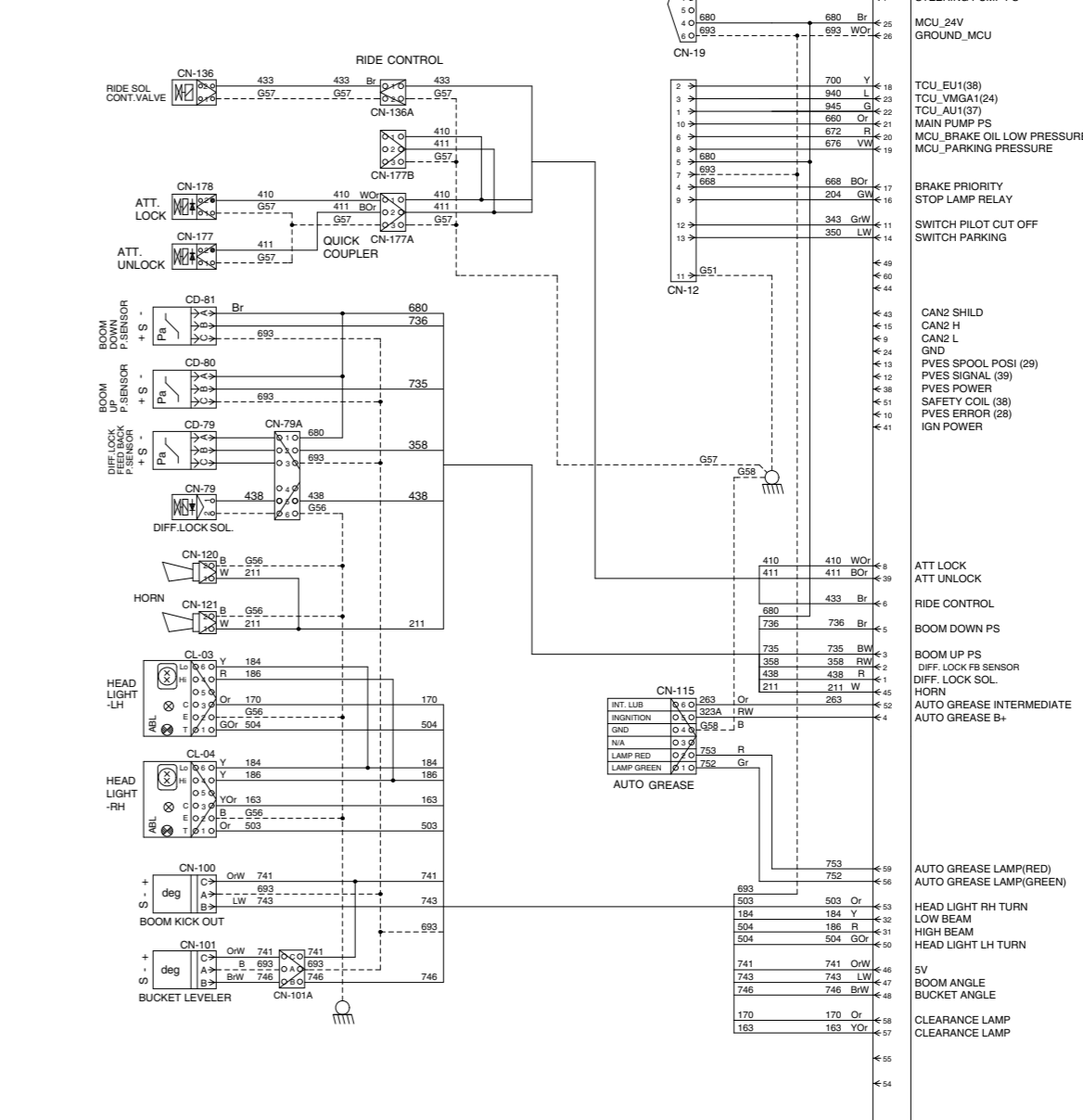
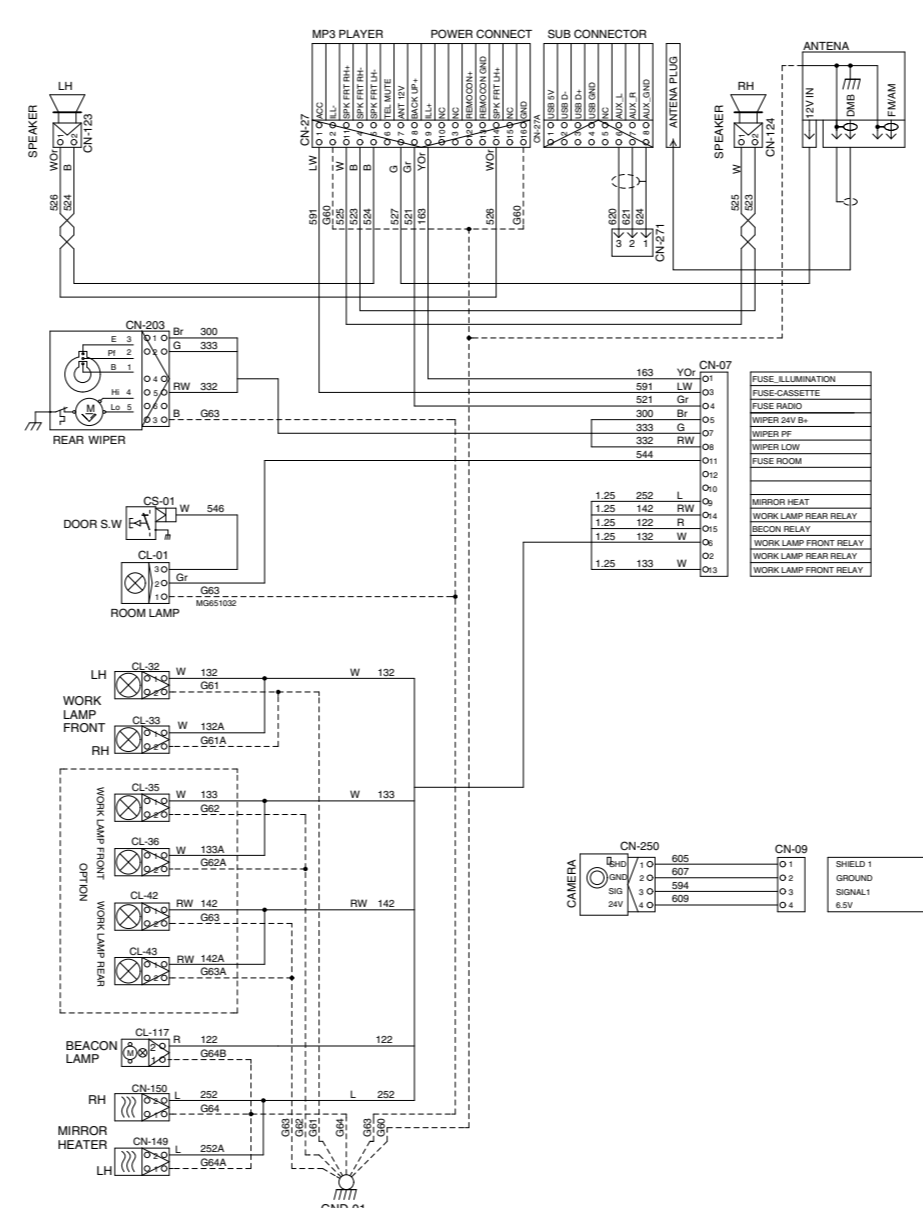
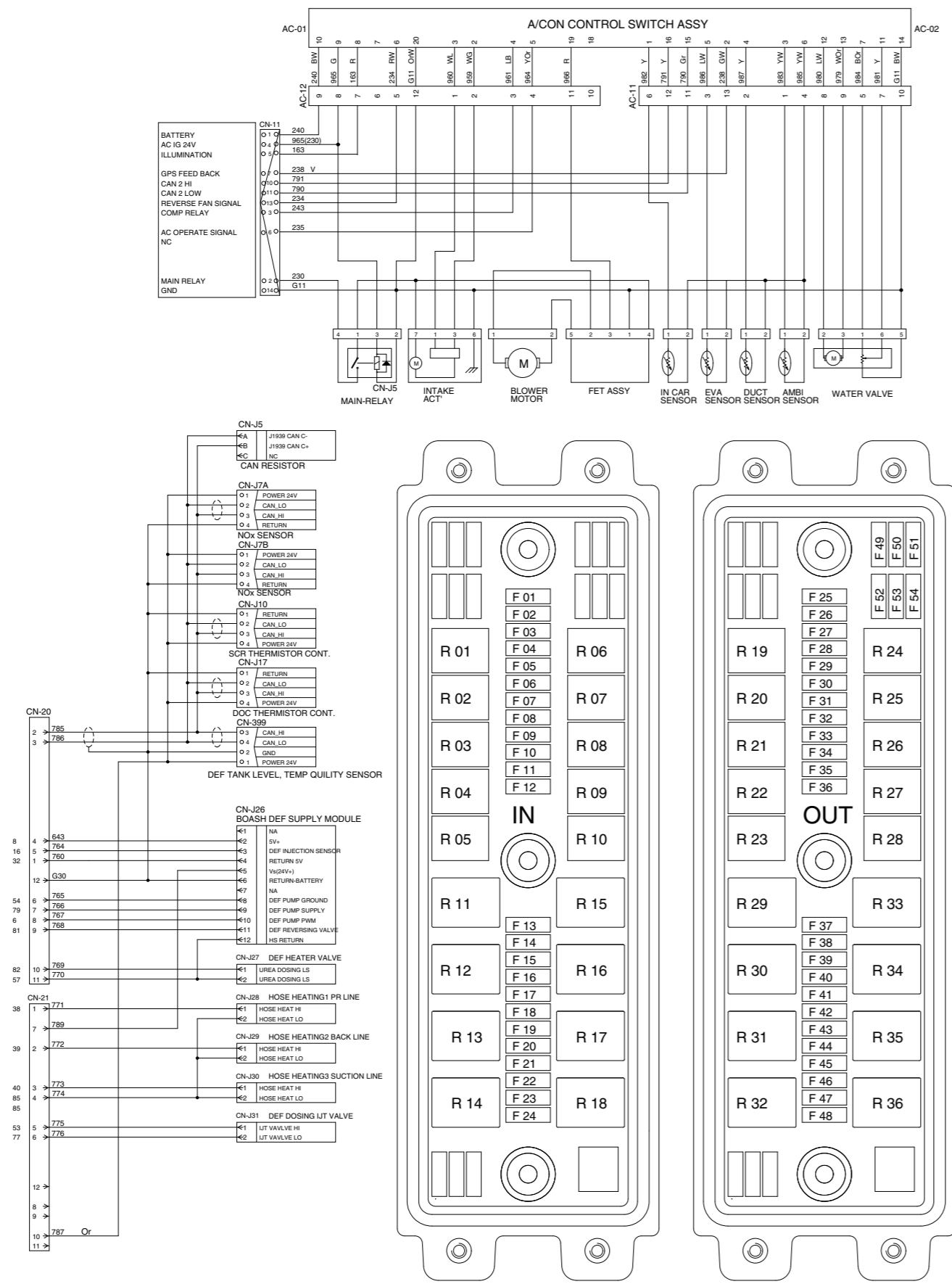
· ELECTRICAL CIRCUIT (2/3, machine serial number : #0493-)



· ELECTRICAL CIRCUIT (3/3, machine serial number : ~#0492)





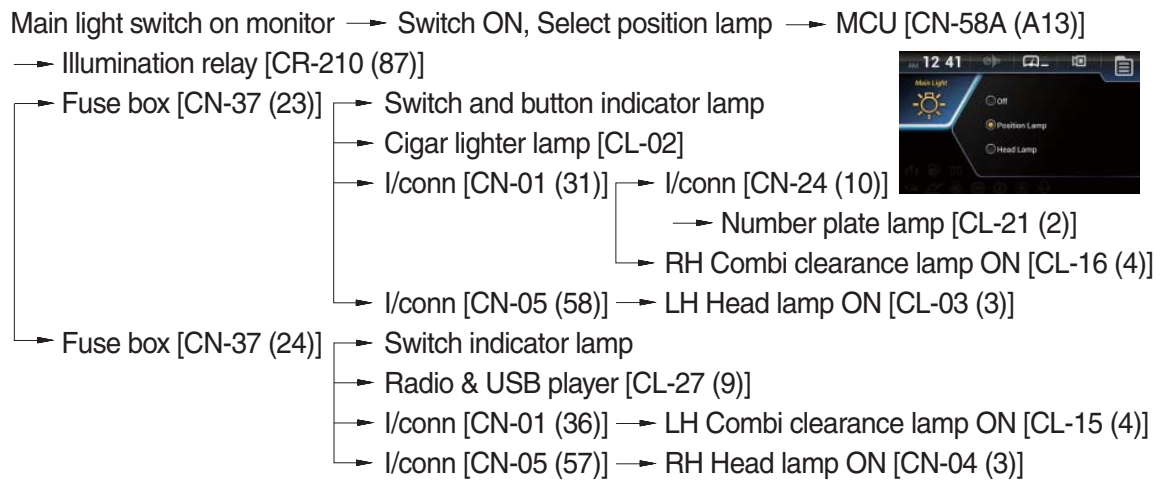


- SEERING PUMP RELAY
- SEERING PUMP RELAY
- STEERING PUMP PS
- MCU\_24V
- GROUND\_MCU
- TCU\_EU1(28)
- TCU\_VM01(24)
- TCU\_AU1(7)
- MAIN PUMP PS
- MCU\_BRAKE OIL LOW PRESSURE
- MCU\_PARKING PRESSURE
- BRAKE PRIORITY
- STOP LAMP RELAY
- SWITCH PILOT CUT OFF
- SWITCH PARKING
- CAN2 SHLD
- CAN2 H
- CAN2 L
- GND
- PVES SPOOL POSI (29)
- PVES SIGNAL (29)
- PVES POWER
- SAFETY COLD (28)
- PVES ERROR (29)
- IGN POWER
- ATT LOCK
- ATT UNLOCK
- RIDE CONTROL
- BOOM DOWN PS
- BOOM UP PS
- DIFF LOCK FB SENSOR
- DIFF LOCK SOL
- HORN
- AUTO GREASE INTERMEDIATE
- AUTO GREASE (LAMP/RED)
- AUTO GREASE (LAMP/GREEN)
- HEAD LIGHT RH TURN
- LOW BEAM
- HIGH BEAM
- HEAD LIGHT LH TURN
- SV
- BOOM ANGLE
- BUCKET ANGLE
- CLEARANCE LAMP
- CLEARANCE LAMP

**MEMORANDUM**

# 1. ILLUMINATION CIRCUIT

## 1) OPERATING FLOW

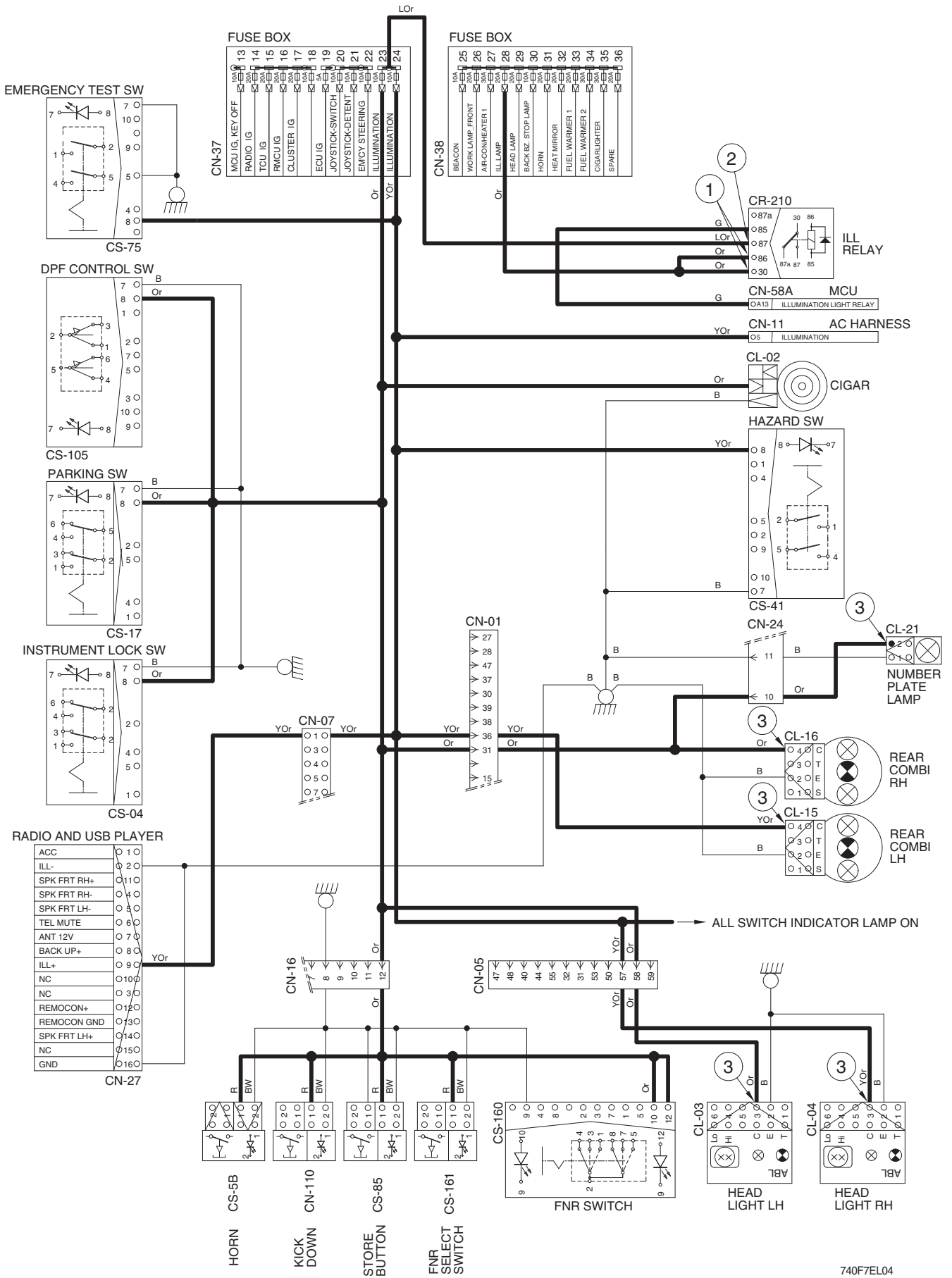


## 2) CHECK POINT

Engine	Key switch	Check point	Voltage
OFF	ON	① - GND (relay input) ② - GND (relay output) ③ - GND (to light)	20~25V

※ GND : Ground

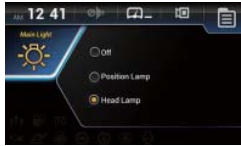
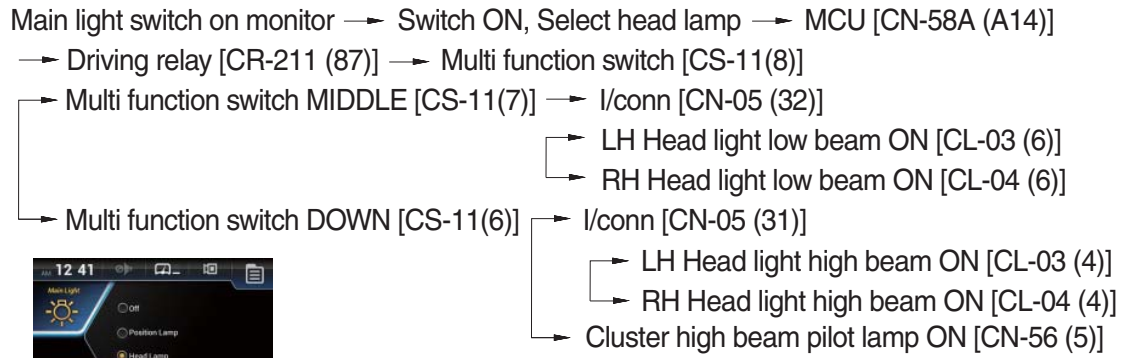
# ILLUMINATION CIRCUIT



740F7EL04

## 2. HEAD LIGHT CIRCUIT

### 1) OPERATING FLOW

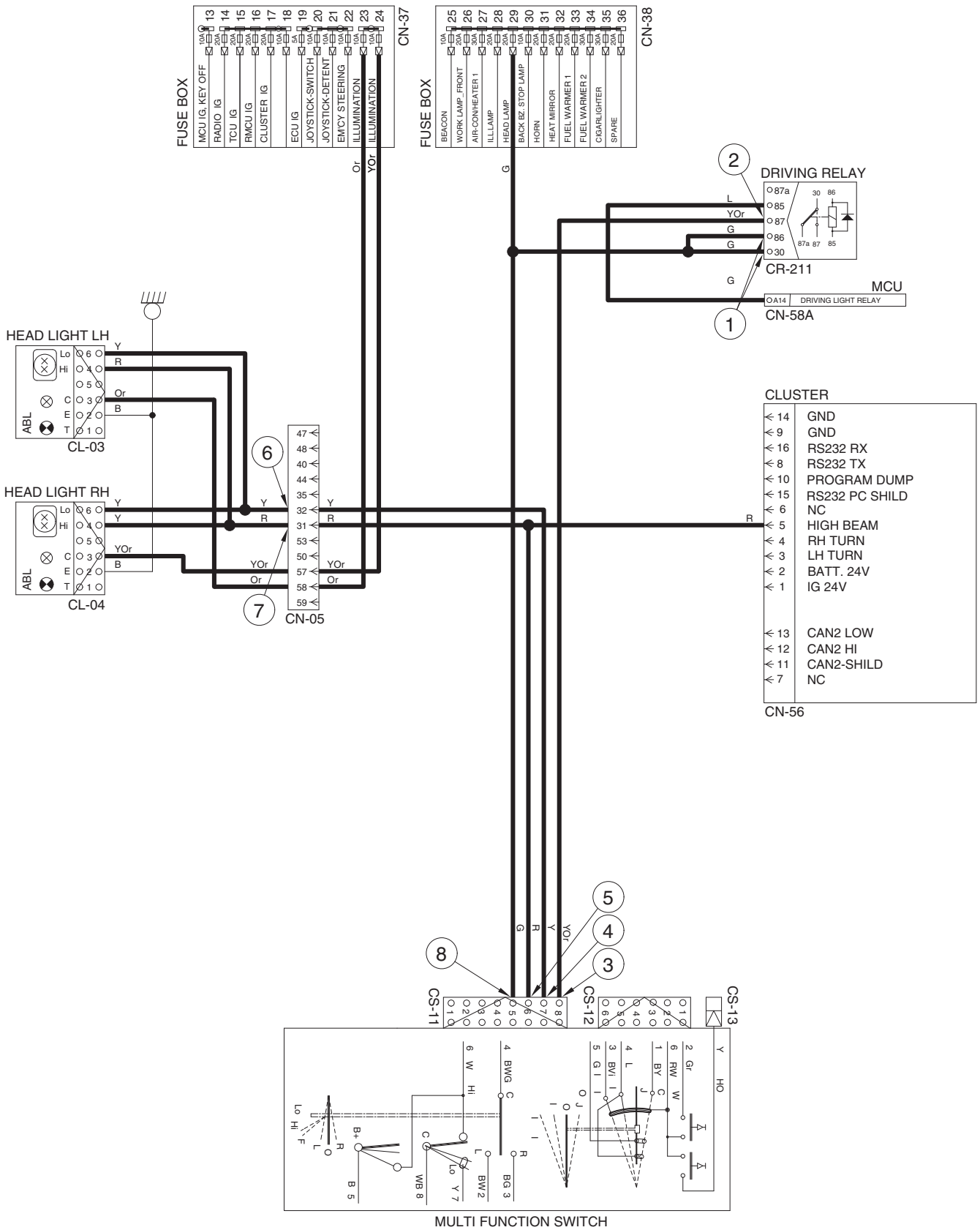


### 2) CHECK POINT

Engine	Key switch	Check point	Voltage
OFF	ON	① - GND (relay input) ② - GND (relay output) ③ - GND (multi function input) ④ - GND (multi function output) ⑤ - GND (multi function output) ⑥ - GND (low beam) ⑦ - GND (high beam) ⑧ - GND (passing B <sup>+</sup> )	20~25V

※ GND : Ground

# HEAD LIGHT CIRCUIT



### 3. WORK LIGHT SWITCH

#### 1) OPERATING FLOW

※ Main light switch on monitor : Select position lamp.

##### (1) Work lamp switch (select Front)

MCU [CN-58B (B09)] → Front work lamp relay [CR-03 (87)] → I/conn [CN-07 (06)]

- LH Front work lamp ON [CL-32 (1)]
- RH Front work lamp ON [CL-33 (1)]



##### (2) Work lamp switch (select Rear)

MCU [CN-58B (B03)] → Rear work lamp relay [CR-55 (87)] → I/conn [CN-01 (33)]

- I/conn [CN-24 (12)]
  - LH Rear work lamp ON [CL-46 (1)]
  - RH Rear work lamp ON [CL-45 (1)]

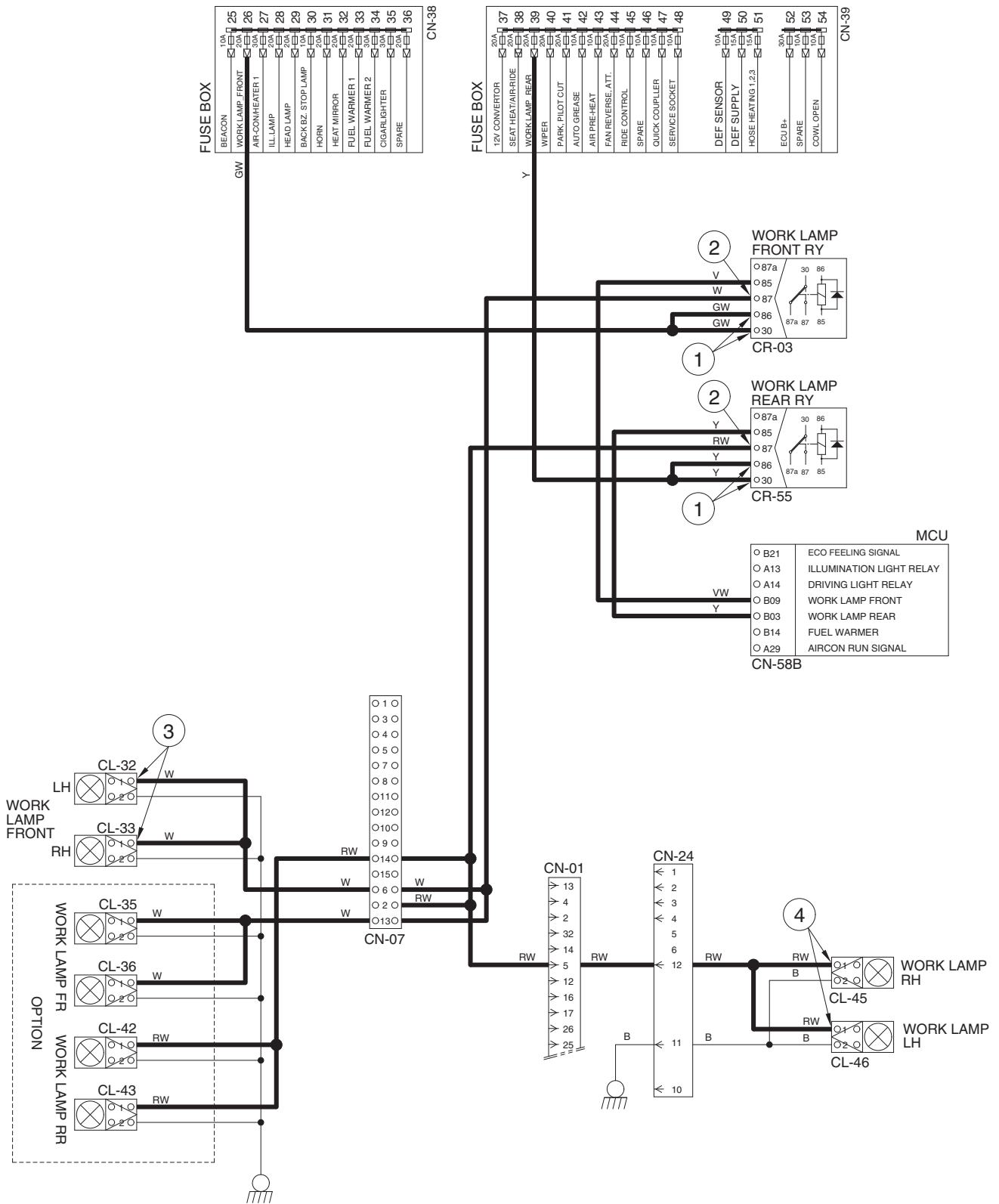


#### 2) CHECK POINT

Engine	Key switch	Check point	Voltage
OFF	ON	① - GND (work lamp power input) ② - GND (work lamp power output) ③ - GND (front work lamp) ④ - GND (rear work lamp)	20~25V

※ GND : Ground

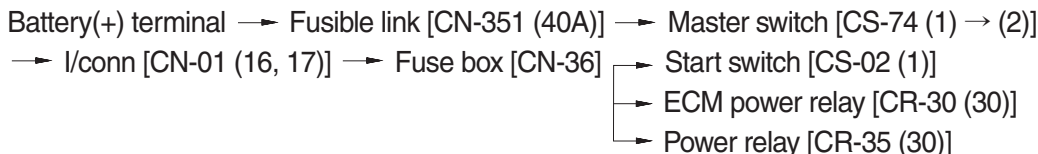
# WORK LIGHT SWITCH





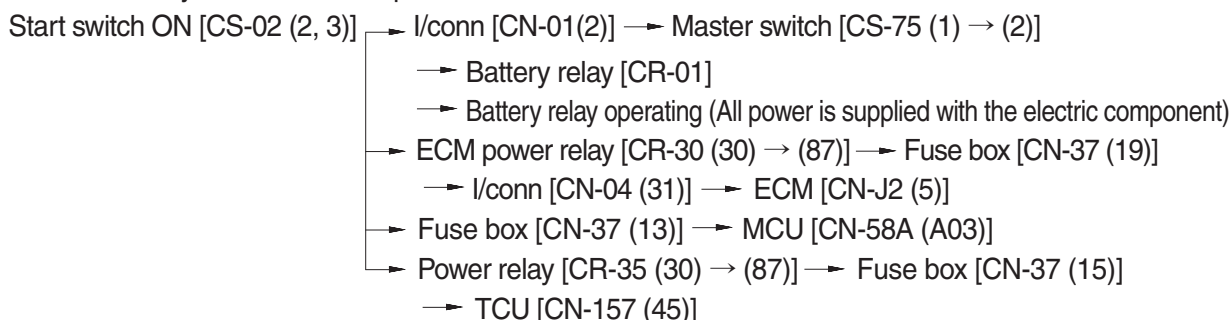
## 4. STARTING CIRCUIT

### 1) OPERATING FLOW

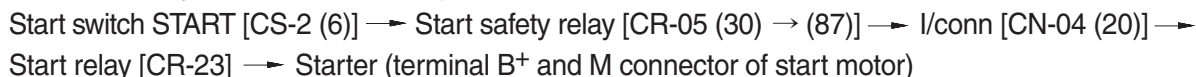


- ※ The gear selector lever is neutral position. It is necessary condition before the starting.  
The gear selector has an output signal which is activated whenever the shift lever is in the neutral position. This signal can be used to control a relay and prevent engine from starting whenever the shift lever is not in the neutral position.

#### (1) When start key switch is in ON position



#### (2) When start key switch is in START position

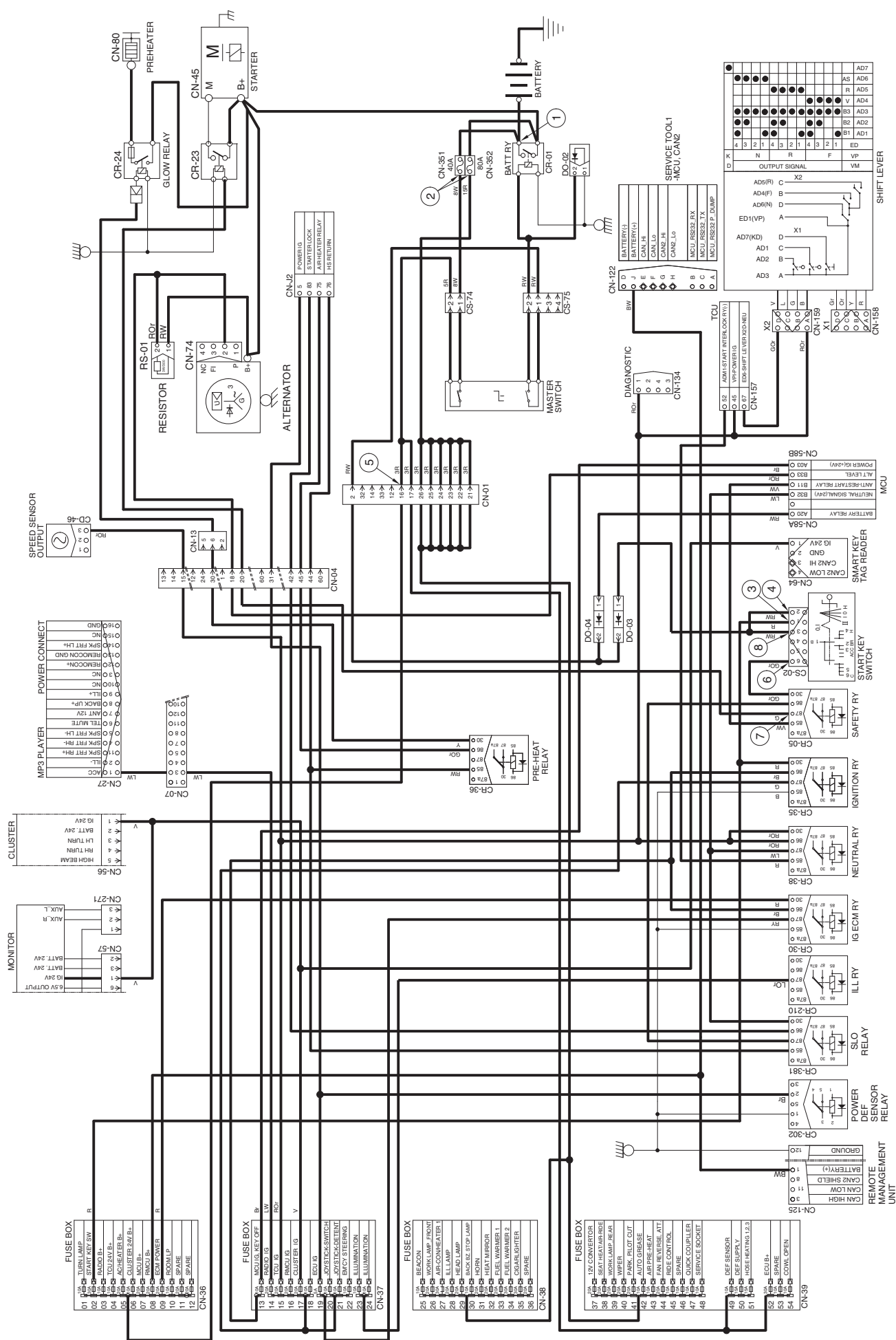


### 2) CHECK POINT

Engine	Key switch	Check point	Voltage
Running	ON	<ul style="list-style-type: none"><li>① - GND (battery B<sup>+</sup>)</li><li>② - GND (fusible link)</li><li>③ - GND (start key B terminal)</li><li>④ - GND (start key BR terminal)</li><li>⑤ - GND (i/conn CN-01 (16))</li><li>⑥ - GND (start key C terminal)</li><li>⑦ - GND (start safety relay output)</li><li>⑧ - GND (start key ACC terminal)</li></ul>	20~25 V

- ※ GND : Ground
- ※ ECM : Electronic control module
- ※ MCU : Machine control unit
- ※ TCU : Transmission control unit

# STARTING CIRCUIT



## 5. CHARGING CIRCUIT

When the starter is activated and the engine is started, the operator releases the key switch to the ON position.

Charging current generated by operating alternator flows into the battery through the battery relay (CR-01).

The current also flows from alternator to each electrical component and controller through the fuse box.

### 1) OPERATING FLOW

#### (1) Warning flow

Alternator [CN-74 (2)] → I/conn [CN-04 (18)] → MCU [CN-58B (B33)]

→ Cluster charge warning lamp ON

#### (2) Charging flow

Alternator → Starter [CN-45 (B<sup>+</sup>)] → Battery relay [CR-01]

→ Battery (+) terminal → Charging

→ Fusible link [CN-351 (40A)] → Master switch [CS-74 (1)→(2)] → I/conn [CN-01 (16, 17)]

→ Fuse box [CN-36, 39]

→ Fusible link [CN-352 (80A)] → I/conn [CN-01 (21~26)] → Fuse box [CN-38, 39]

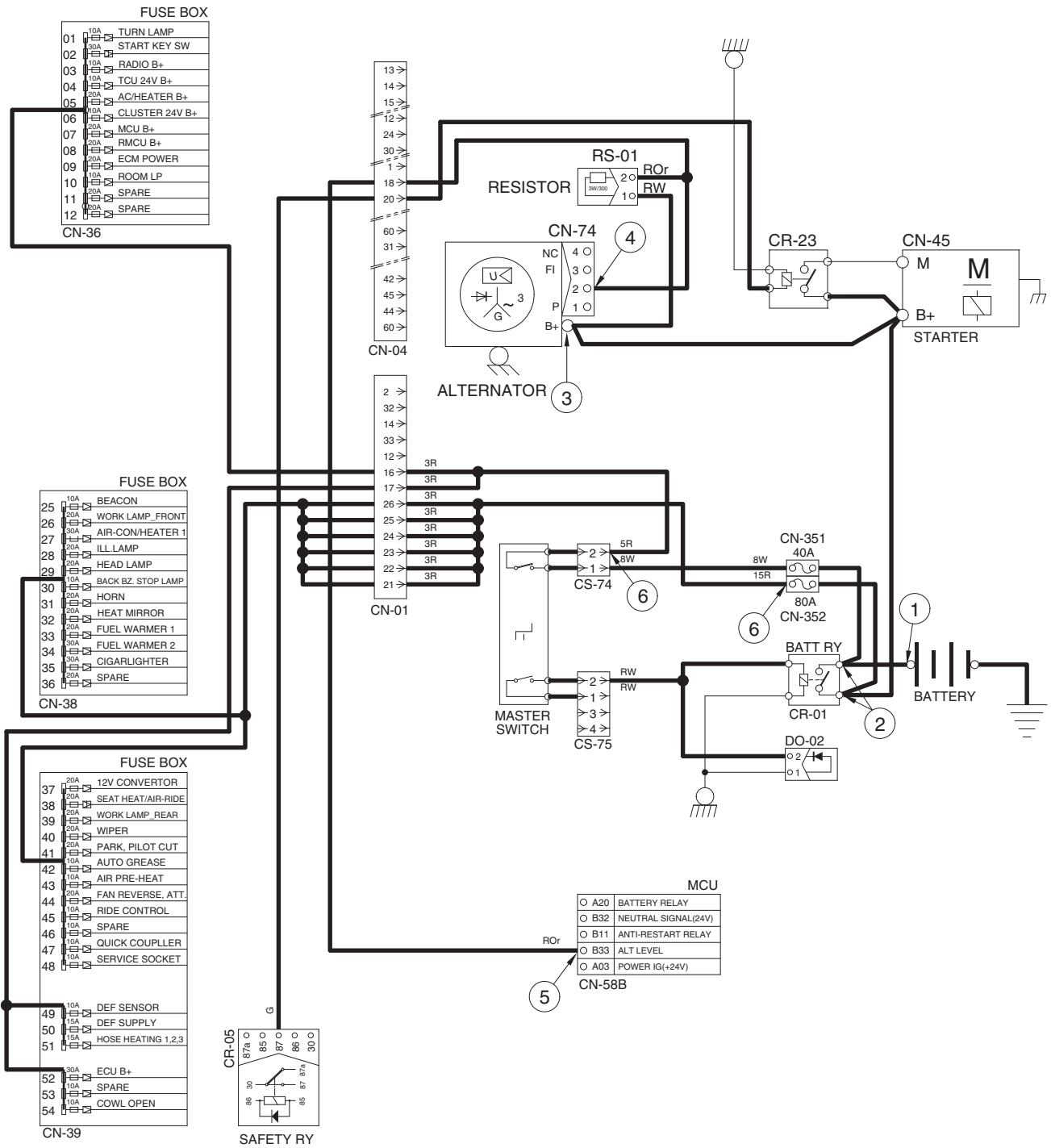
### 2) CHECK POINT

Engine	Key switch	Check point	Voltage
OFF	ON	① - GND (battery) ② - GND (battery relay) ③ - GND (alternator B <sup>+</sup> ) ④ - GND (alternator 2) ⑤ - GND (MCU) ⑥ - GND (fuse box)	20~28V

※ GND : Ground

※ MCU : Machine control unit

# CHARGING CIRCUIT

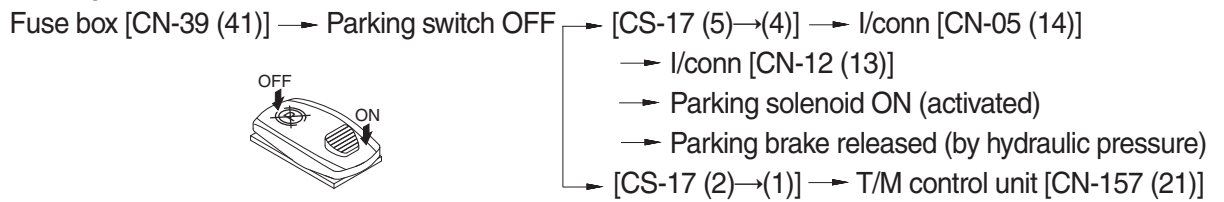


740F7EL08

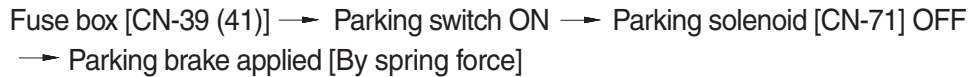
## 6. ELECTRIC PARKING, PILOT CUT OFF CIRCUIT

### 1) OPERATING FLOW

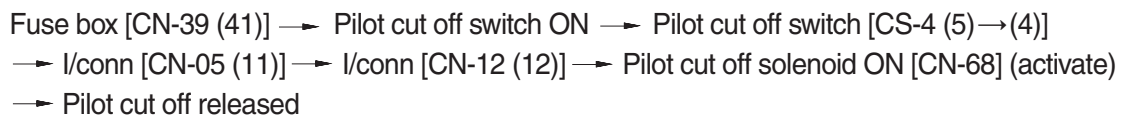
#### (1) Parking OFF



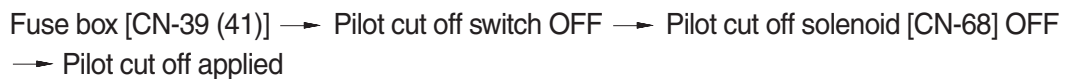
#### (2) Parking ON



#### (3) Pilot cut off ON



#### (4) Pilot cut off OFF

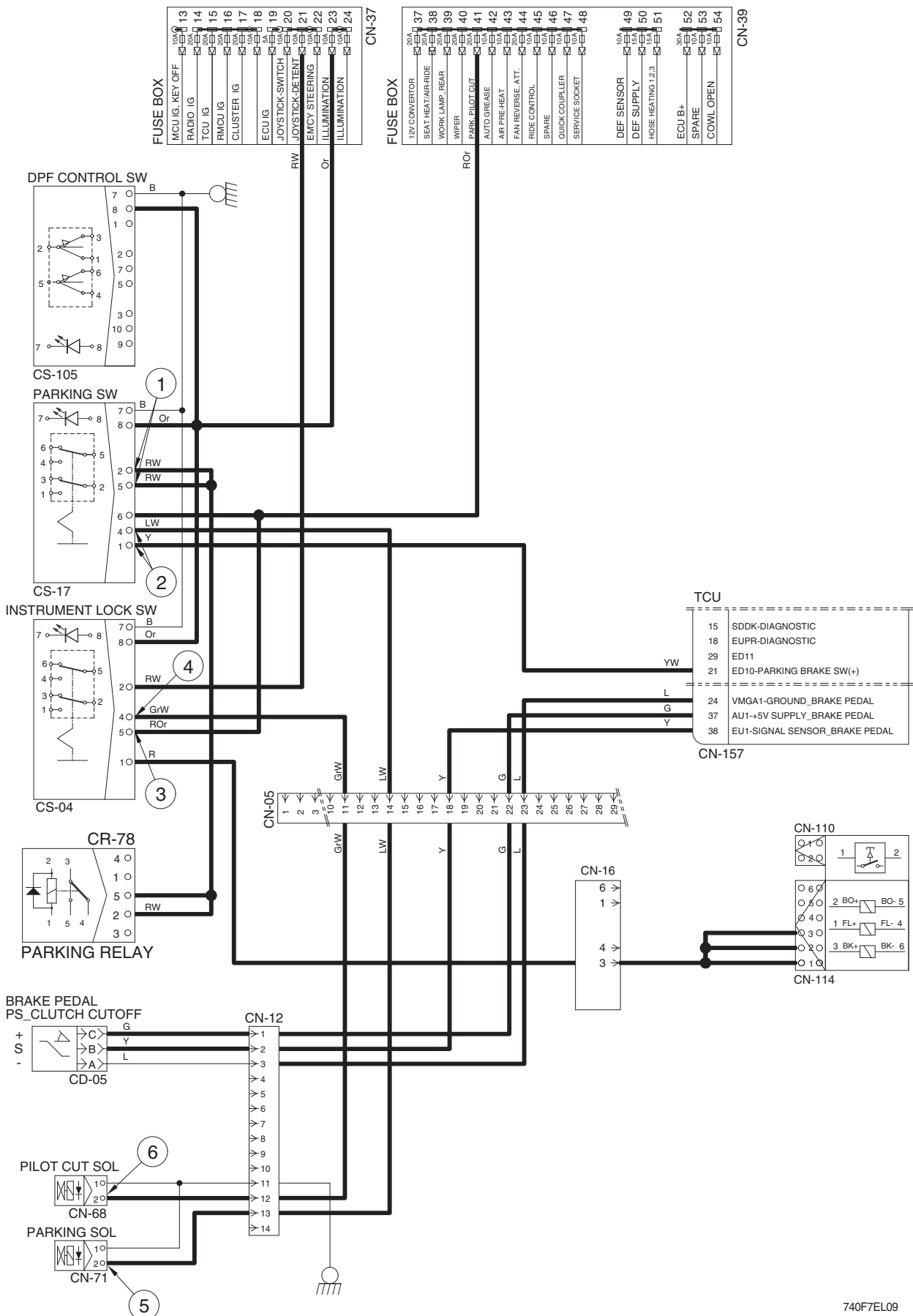


### 2) CHECK POINT

Engine	Key switch	Check point	Voltage
Running	ON	① - GND (parking switch input) ② - GND (parking switch output) ③ - GND (pilot cut off switch input) ④ - GND (pilot cut off switch output) ⑤ - GND (parking solenoid) ⑥ - GND (pilot cut off solenoid)	20~25V

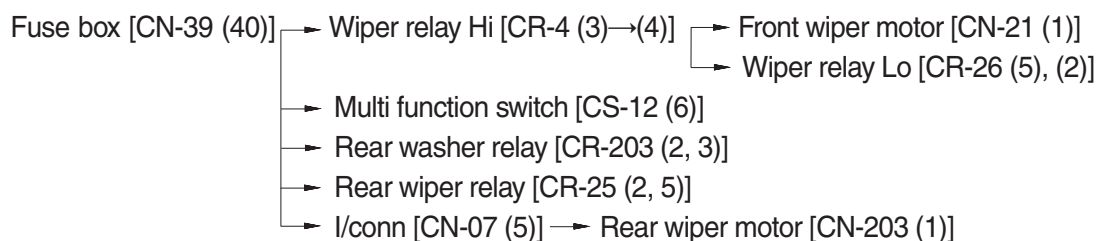
※ GND : Ground

# ELECTRIC PARKING, PILOT CUT OFF CIRCUIT

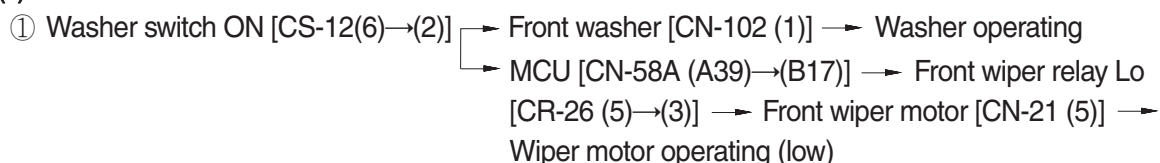


## 7. WIPER AND WASHER CIRCUIT

### 1) OPERATING FLOW

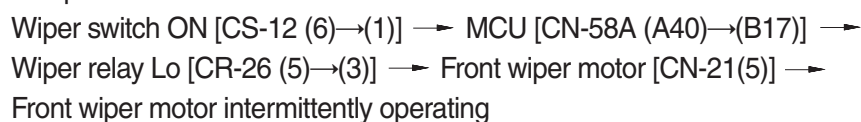


#### (1) Front washer switch ON

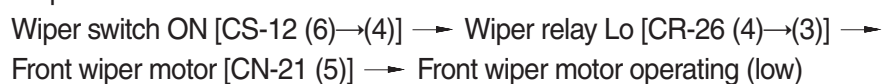


#### (2) Front wiper switch ON

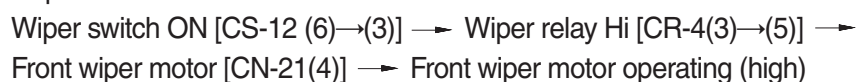
##### ① INT position



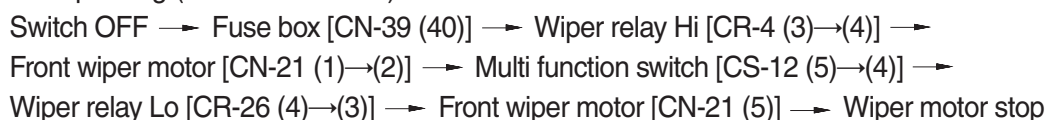
##### ② Lo position



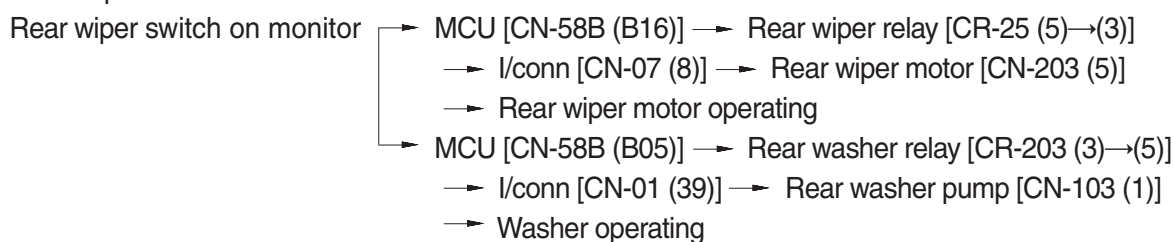
##### ③ Hi position



#### (3) Auto-parking (when switch OFF)



#### (4) Rear wiper and washer switch

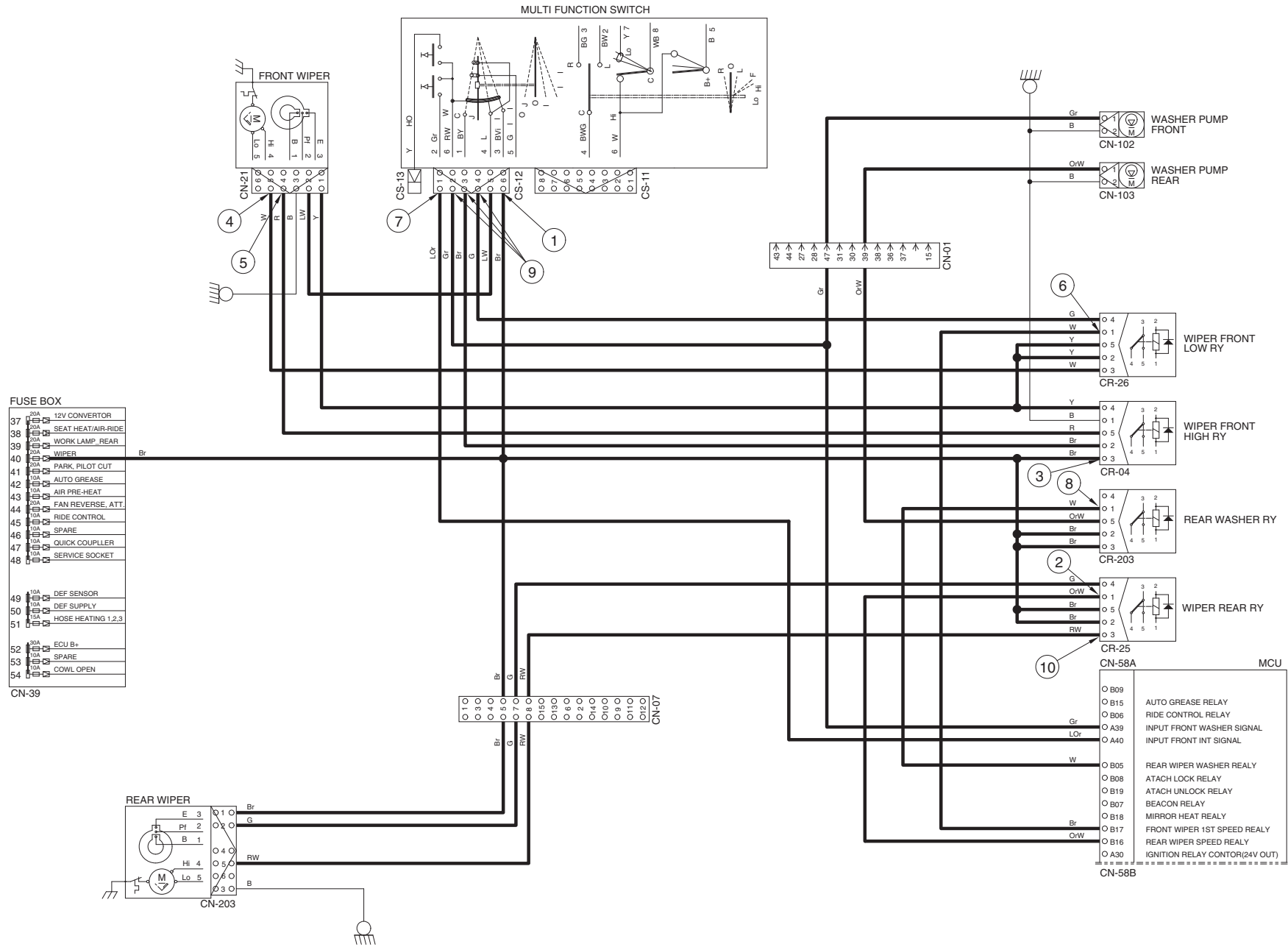


### 2) CHECK POINT

Condition	Check point	
Engine : Stop	① - GND (front wiper switch power input)	⑥ - GND (wiper relay power input)
	② - GND (rear wiper relay power input)	⑦ - GND (front washer power output)
Key switch : ON	③ - GND (wiper relay power input)	⑧ - GND (rear washer power output)
	④ - GND (front wiper motor Lo power input)	⑨ - GND (front wiper motor power output)
Voltage : 20~25V	⑤ - GND (front wiper motor High power input)	⑩ - GND (rear wiper motor power output)

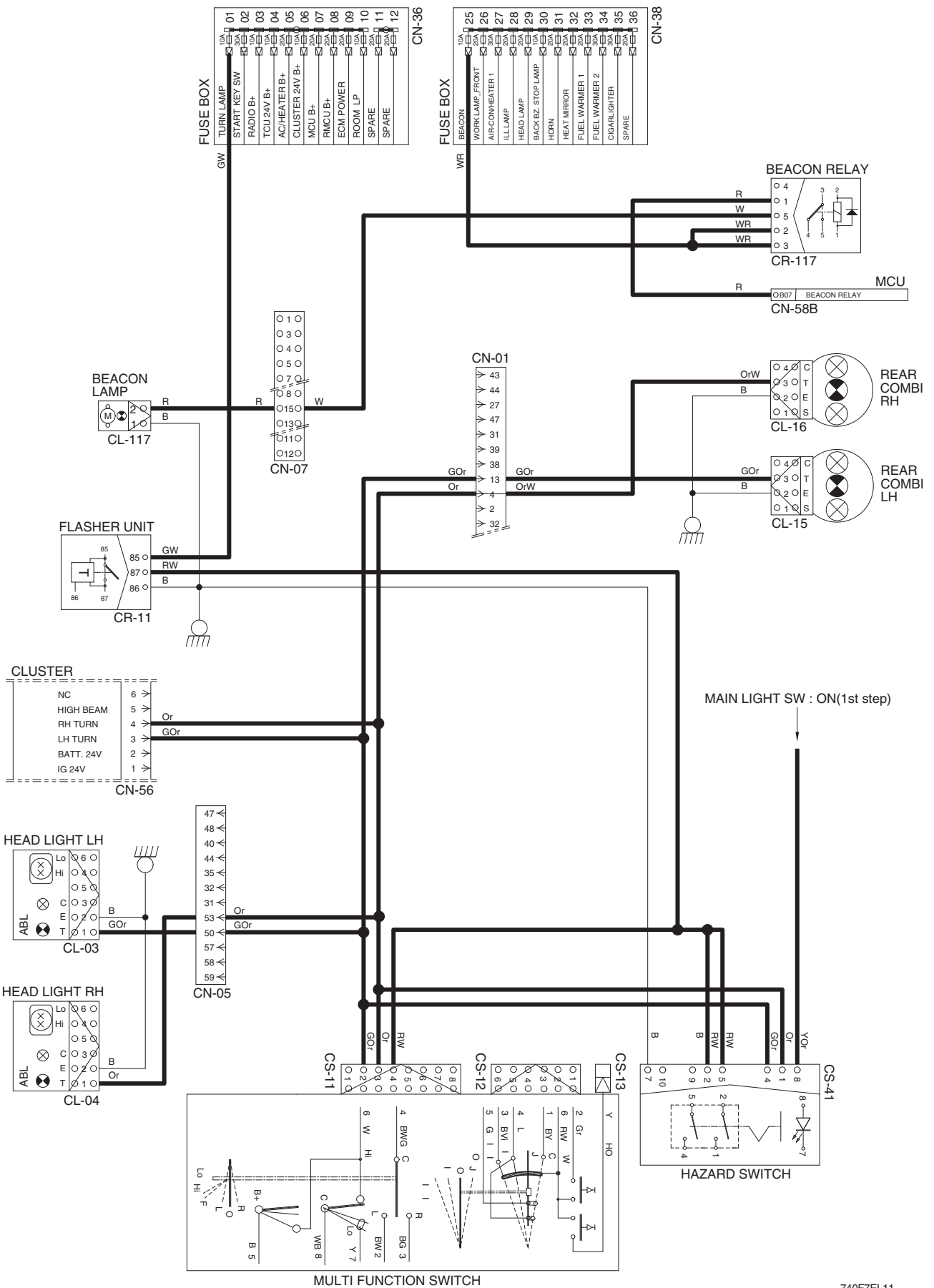
※ GND : Ground

# WIPER AND WASHER CIRCUIT





# HAZARD, TURN AND ROTARY CIRCUIT



740F7EL11

## GROUP 3 MONITORING SYSTEM

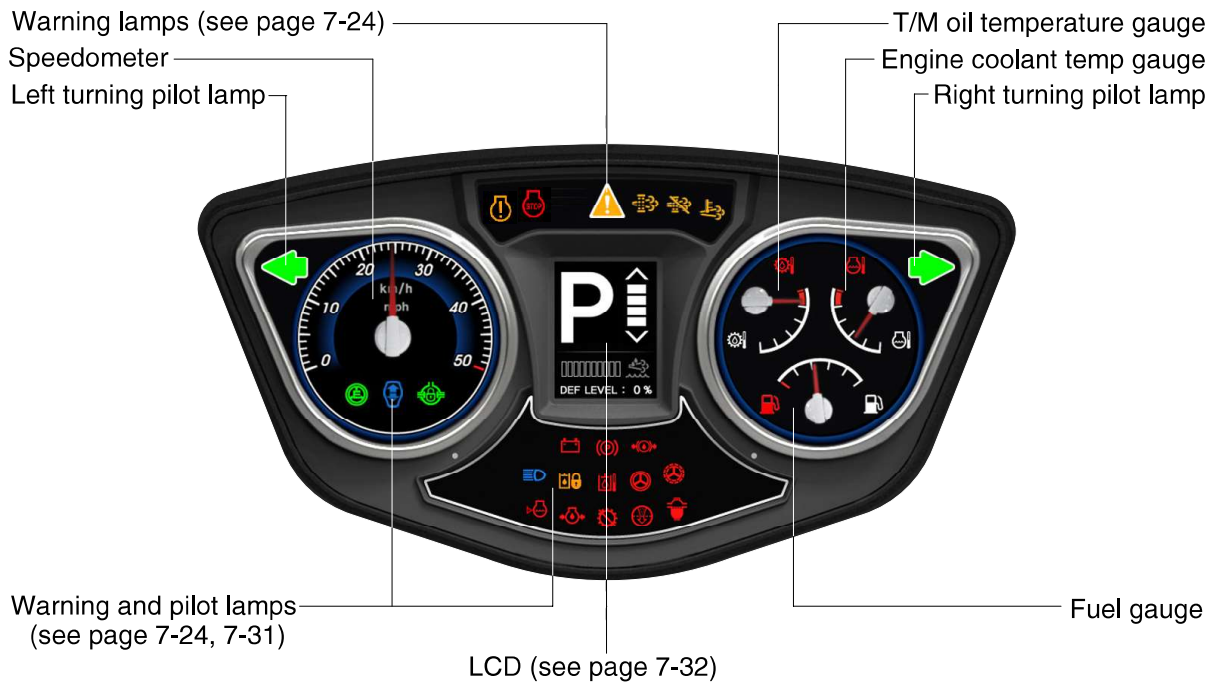
### 1. CLUSTER

#### 1) STRUCTURE

The cluster consists of gauges, lamps and LCD as shown below, to warn the operator in case of abnormal machine operation or conditions for the appropriate operation and inspection.

- Gauges : Indicate operating status of the machine.
- Warning lamps : Indicate abnormality of the machine.
- Pilot lamps : Indicate operating status of the machine.
- LCD : Indicates selected the driving speed and direction.

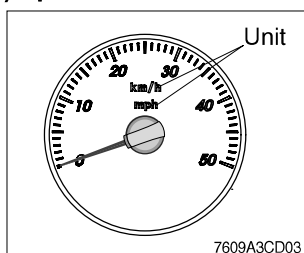
- ※ The cluster installed on this machine does not entirely guarantee the condition of the machine. Daily inspection should be performed according to chapter 6, MAINTENANCE.
- ※ When the cluster provides a warning immediately check the problem, and perform the required action.



760F7EL15

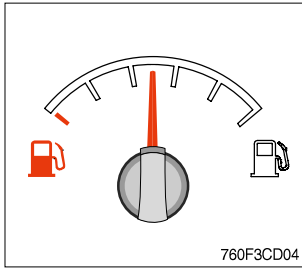
### 2) GAUGE


#### (1) Speedometer



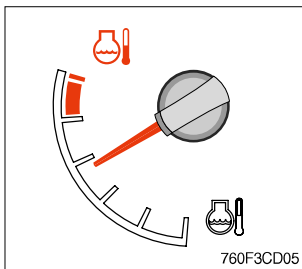
- ① The speedometer displays the speed of machine in mph and km/h.
- ※ The unit (km/h or mph) can be set by the display set up menu of the monitor and selected unit is displayed. Refer to page 7-54.


## (2) Fuel gauge



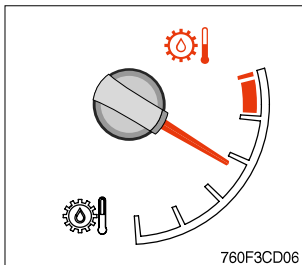
- ① This gauge indicates the amount of fuel in the fuel tank.
  - ② Fill the fuel when the indicator moves red range or  lamp blinks in red, refuel as soon as possible to avoid running out of fuel.
- ※ If the gauge indicates red range even though the machine is on the normal condition, check the electric device as that can be caused by the poor connection of electricity or sensor.


## (3) Engine coolant temperature gauge



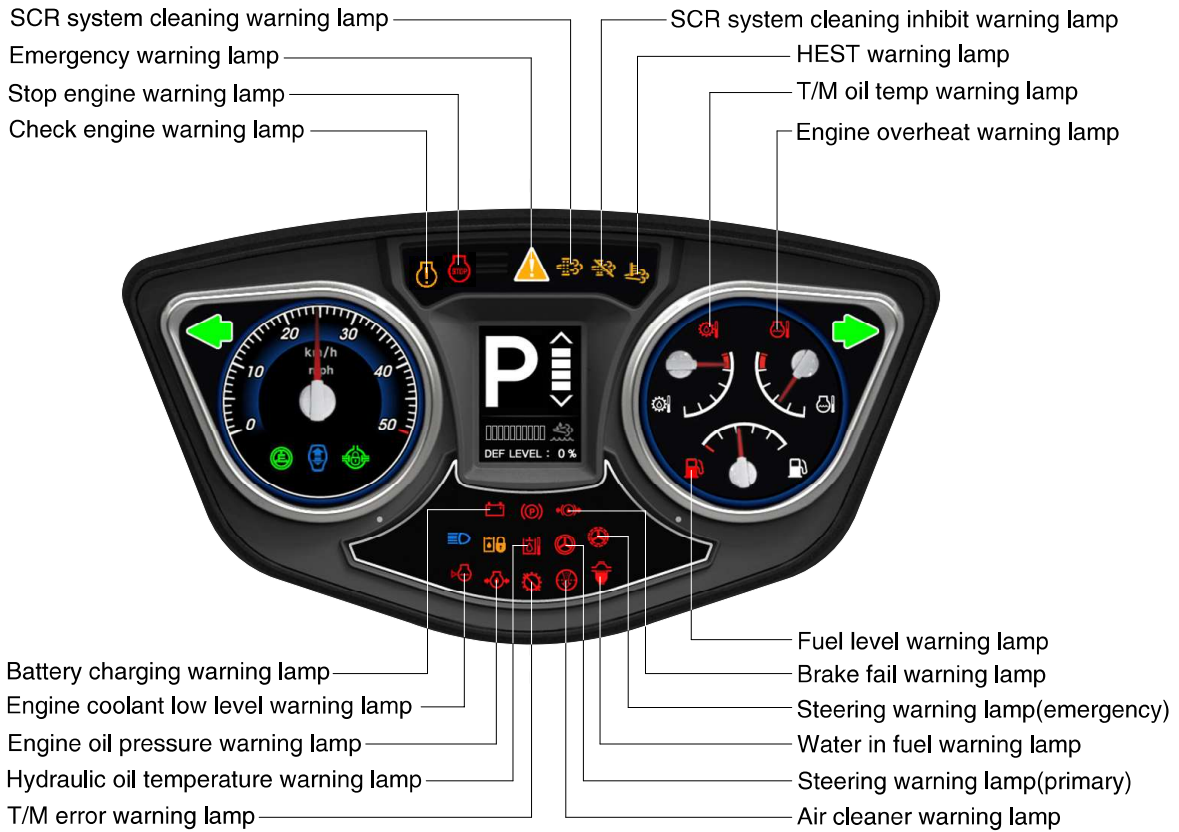
- ① This gauge indicates the temperature of coolant.
    - White range : 40~105°C (104~221°F)
    - Red range : Above 105°C (221°F)
  - ② If the indicator is in the red range or  lamp blinks in red, turn OFF the engine and check the radiator and engine.
- ※ If the gauge indicates red range even though the machine is on the normal condition, check the electric device as that can be caused by the poor connection of electricity or sensor.

## (4) Transmission oil temperature gauge



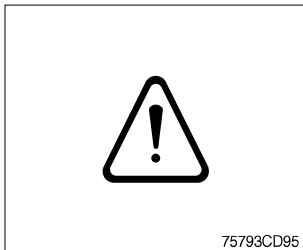
- ① This gauge indicates the temperature of transmission oil.
    - White range : 40~107°C (104~225°F)
    - Red range : Above 107°C (225°F)
  - ② If the indicator is in the red range or  lamp blinks in red, it means the transmission is overheated. Be careful that the indicator does not move into the red range.
- ※ If the gauge indicates red range even though the machine is on the normal condition, check the electric device as that can be caused by the poor connection of electricity or sensor.

### 3) WARNING LAMPS



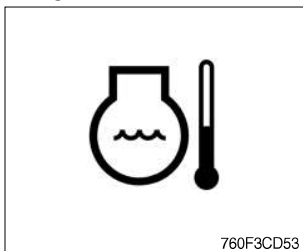
760F3CD09

#### (1) Emergency warning lamp



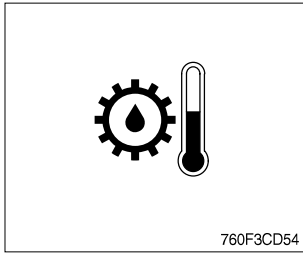
- ① This lamp blinks when each of the below warnings is happened.
  - Warning lamps light ON
  - MCU input voltage abnormal
  - Monitor communication data error
  - Engine ECM and TCU communication data error
- ② When this warning lamp blinks, machine must be checked and service immediately.

#### (2) Engine overheat warning lamp



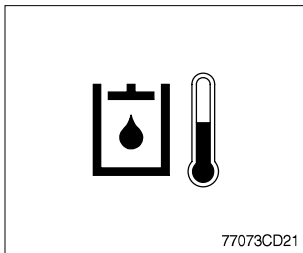
- ① This lamp is turned ON when the temperature of coolant is over the normal temperature (105°C, 221°F).
- ② Check the cooling system when the lamp is ON.


### (3) Transmission oil temperature warning lamp



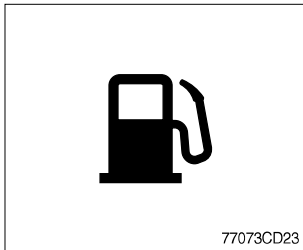
- ① This lamp is turned ON when the temperature of transmission oil is over the normal temperature (107°C, 225°F).
- ② When this lamp lights up during operation, stop the engine and check the machine.

### (4) Hydraulic oil temperature warning lamp



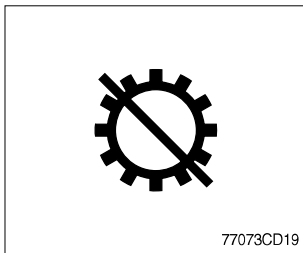
- ① This warning lamp operates and the buzzer sounds when the temperature of hydraulic oil is over 106°C (223°F).
  - ② Check the hydraulic oil level when the lamp is turned ON and the buzzer sounds.
  - ③ Check for debris between oil cooler and radiator.
- ※ If you want to stop buzzer sound, just touch the  icon.

### (5) Fuel level warning lamp



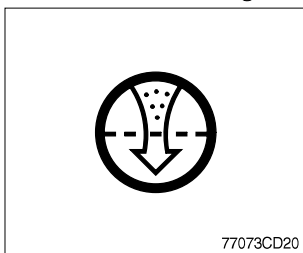
- ① This warning lamp lights ON when the fuel level is low. Refuel the machine as soon as possible.


### (6) Transmission error warning lamp



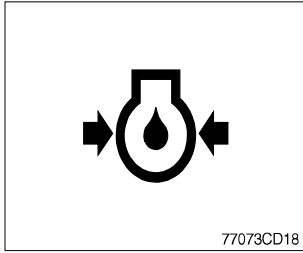
- ① This lamp lights ON and the LCD display show the error codes when an error occurs in the transmission.
  - ② Immediately pull the machine to a convenient stop. Stop the engine. Investigate the cause.
- ※ Consult a HYUNDAI dealer to investigate the cause.  
※ Do not operate until the cause has been corrected.


### (7) Air cleaner warning lamp



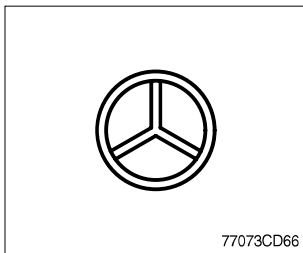
- ① This lamp lights ON and the buzzer sounds when the filter of air cleaner is clogged.
  - ② When the air cleaner warning lamp is ON and the buzzer sounds, check and clean the primary element.
- ※ If you want to stop buzzer sound, just touch the  icon.  
※ The primary element should be replaced if the warning lamp is ON after installation of a clean primary element.  
※ Replace the primary element after 4 times cleanings.

### (8) Engine oil pressure warning lamp




- ① This lamp is comes ON and the buzzer sounds after starting the engine because of the low engine oil pressure.
  - ② If the lamp comes ON and the buzzer sounds during engine operation, shut OFF engine immediately. Check engine oil level.
- ※ If you want to stop buzzer sound, just touch the  icon.

### (9) Steering warning lamp



#### ① Primary

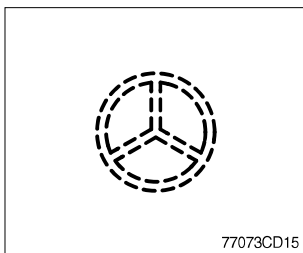
This lamp indicates that the primary steering has failed. When the indicator comes ON and the action alarm sounds, steer the machine immediately to a convenient location and stop the machine. Stop the engine and investigate the cause.

- ※ If you want to stop buzzer sound, just touch the  icon.
- ※ Do not operate the machine until the cause has been corrected.

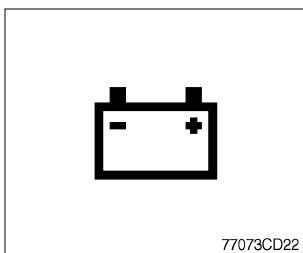
#### ② Emergency


This lamp indicates the emergency steering system is active.

- ※ Immediately pull the machine to a convenient stop and stop the engine.
- ※ The emergency steering system can be manually tested. Refer to page 7-65.

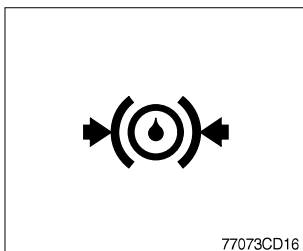



### (10) Battery charging warning lamp



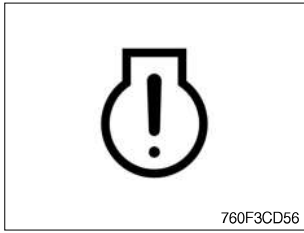
- ① This lamp is ON and the buzzer sounds when key ON, it is turned OFF after starting the engine.
  - ② Check the battery charging circuit when this lamp comes ON and the buzzer sounds, during engine operation.
- ※ If you want to stop buzzer sound, just touch the  icon.


### (11) Brake fail warning lamp



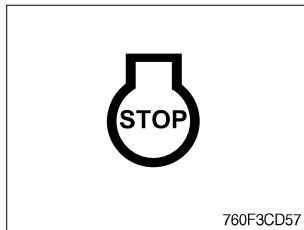
- ① The lamp lights ON and the buzzer sounds when the oil pressure of service brake drops below the normal range.
  - ② When the lamp is ON and the buzzer sounds, stop the engine and check for its cause.
- ※ If you want to stop buzzer sound, just touch the  icon.
- ※ Do not operate until any problems are corrected.

### (12) Check engine warning lamp



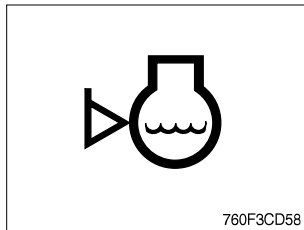
- ① This lamp lights ON and the buzzer sounds when the communication between MCU and engine ECM on the engine is abnormal, or if the cluster received specific fault code from engine ECM.
  - ② Check the communication line between them.  
If the communication line is OK, then check the fault codes on the monitor.
- ※ If you want to stop buzzer sound, just touch the  icon.

### (13) Stop engine warning lamp



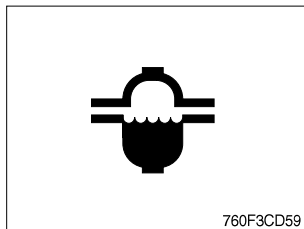
- ① This lamp lights ON when 30 minutes elapsed with empty condition of the DEF/AdBlue® tank, stop the engine immediately and check the DEF/AdBlue® tank.
- ② Fill the DEF/AdBlue® immediately in the DEF/AdBlue® tank.  
※ Refer to page 7-30.
- ③ This lamp lights ON when the stationary SCR system cleaning is not performed.  
※ Refer to page 7-28.  
※ Please contact your Hyundai service center or local dealer.

### (14) Engine coolant low level warning lamp



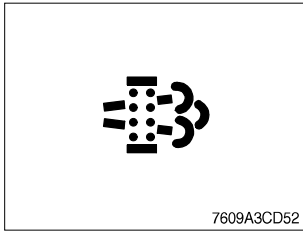
- ① This warning lamp lights ON when the level of coolant is low.
- ② Fill the coolant immediately when the lamp is ON.

### (15) Water in fuel warning lamp



- ① This warning lamp lights ON when the water separator is full of water or malfunctioning.  
※ When this lamp lights ON, stop the machine and spill water out of the separator.

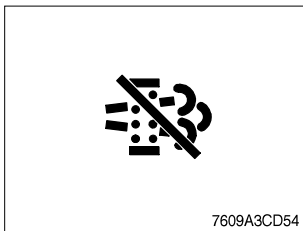
**(16) SCR (selective catalytic reduction) system cleaning warning lamp**



① This warning lamp lights ON or blinks when the SCR system cleaning is needed as table below.

Warning lamp			Description
SCR	Check engine	Stop engine	
Off	Off	Off	· Automatic SCR system cleaning
Blink	Off	Off	· The status of a manual (stationary) SCR system cleaning when the SCR system cleaning switch has been activated. * Refer to page 7-29.
On	On	Off	· The aftertreatment SCR system needs to be cleaned immediately. · Engine power will be reduced automatically if action is not taken. * The SCR system cleaning can be accomplished by : - Changing to more challenging duty cycle. - Performing a manual SCR system cleaning.
On	On	On	· These lamps will be ON when a stationary (manual) SCR system cleaning is not performed. · Stop the engine immediately. · Please contact your Hyundai service center or local dealer.

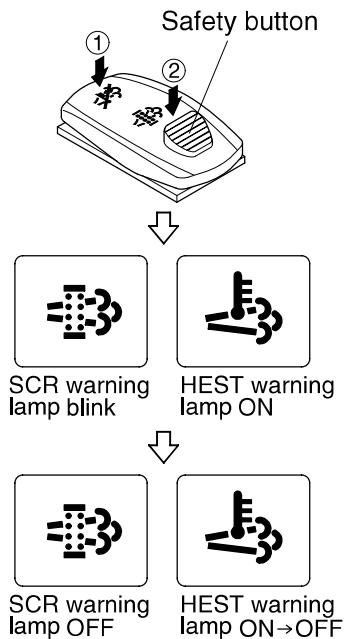
**(17) SCR system cleaning inhibit warning lamp**



① This warning lamp indicates, when illuminated, the SCR system cleaning switch is pushed inhibit position, therefore automatic and manual SCR system cleaning can not occur.  
\* Refer to the page 7-66 for the SCR system cleaning switch.



## ※ Manual SCR system cleaning



760F3CD129

※ Manual SCR system cleaning applies if the machine is in a fireproof area.

※ To stop a manual SCR system cleaning before it has completed, set to the SCR system cleaning switch to the inhibit position or turn OFF the engine.

① Stop and park the machine.

② Pull the safety button and push the switch to position ② to initiate the manual SCR system cleaning.

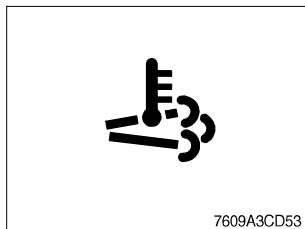
※ Refer to the page 7-66 for the SCR system cleaning switch operation.

※ The engine speed may increase to 950~1050 rpm and SCR system cleaning begins and it will take approximately 20~60 minutes.

③ The SCR system cleaning warning lamp will blink and HEST warning lamp will light ON during the SCR system cleaning is operating.

④ The SCR system cleaning and/or HEST warning lamp will light OFF when the SCR system cleaning is completed.

## (18) HEST (High exhaust system temperature) warning lamp



① This warning lamp indicates, when illuminated, that exhaust temperatures are high due to SCR system cleaning.

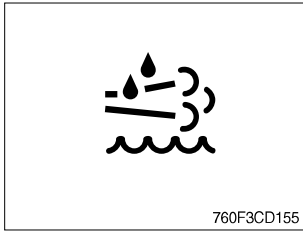
② The lamp will also illuminate during a manual SCR system cleaning.

③ When this lamp is illuminated, be sure the exhaust pipe outlet is not directed at any surface or material that can melt, burn, or explode.

▲ When this lamp is illuminated, the exhaust gas temperature could reach 800°C [1500°F], which is hot enough to ignite or melt common materials, and to burn people.

※ The lamp does not signify the need for any kind of equipment or engine service; It merely alerts the equipment operator to high exhaust temperatures. It will be common for the lamp to illuminate on and off during normal equipment operation as the engine completes SCR system cleaning.

(19) DEF/AdBlue® level warning lamp



① This warning lamp indicates when ON or blinking, that the DEF/AdBlue® level is low as table below.

※ It is recommended that the DEF/AdBlue® tank be filled completely full of the DEF/AdBlue® in order to correct any fault conditions.

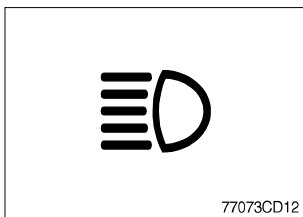
Warning lamp			Description
DEF/AdBlue® level	Check engine	Stop engine	
On	Off	Off	· The DEF/AdBlue® level has fallen below the initial warning level (10%).
Blink	Off	Off	· The DEF/AdBlue® level has fallen below the critical warning level (5%).
Blink	On	Off	· The DEF/AdBlue® level has fallen below the initial derate level (2.5%). · The engine power will be limited automatically.
Blink	On	On	· This is happened when 30 minutes elapsed with empty conditions (0%) of the DEF/AdBlue® tank. · The engine will enter the final derate level which may include low idle lock or engine shutdown with restart limitations. · In order to remove the final derate, the DEF/AdBlue® tank must be filled to above 10 percent gauge reading.

#### 4) PILOT LAMPS



740F3CD10

##### (1) High beam pilot lamp



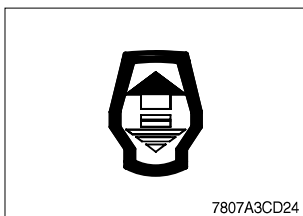
- ① This lamp works when the illuminating direction is upward.
- ② This lamp comes ON when the dimmer switch is operated, e.g., when passing another vehicle.

##### (2) Parking brake pilot lamp



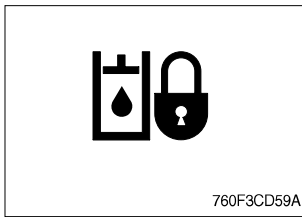
- ① When the parking brake is actuated, the lamp lights ON.
- ※ Check the lamp is OFF before driving.

##### (3) FNR select pilot lamp (option)



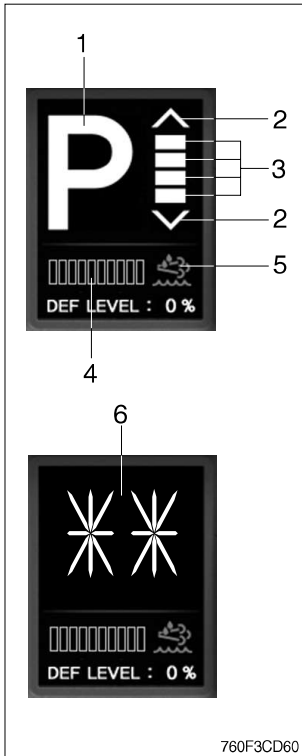
- ① The lamp comes ON when FNR select button on the optional FNR remote control lever is pressed.
- ※ Refer to page 7-67.

#### (4) Pilot cut off pilot lamp



- ① This lamp lights ON when the pilot cut off switch is pressed.  
 ※ Refer to page 7-65.

#### 5) LCD



- (1) The LCD can be used with the gear selector.

It indicates speed, driving direction, DEF/AdBlue® level and transmission warning.

No	Symbol	Meaning	Remark
1	△, ▽, N	Actual gear display	Forward, reverse, neutral
	1, 2, 3, 4, 5		Actual gear
	P		Parking brake mode active
2	^, v	Forward, reverse	^ FWD 1      v REV 1 - - - - - ^ FWD 5      v REV 5
3	≡	Gear range display	
4		DEF/AdBlue® level	Display the amount of liquid in the DEF/AdBlue® tank
5	⚠	DEF/AdBlue® level warning lamp	Fill the DEF/AdBlue® when the lamp ON or blinks in red. - ON : DEF/AdBlue® level 5~10% - Blink : DEF/AdBlue® level below 5% ※ If the lamp ON or blinks in red even though the machine is on the normal condition, check the electric device as that can be caused by the poor connection of electricity or sensor.
6	LF, LR	Limp home gear	-
	**	Oil temperature too low, no gear available	Warm up engine/transmission
	WS	Warning sump temperature	Alternate between WS and actual gear / direction while driving, in neutral only displayed WS if no fault is detected ※ Cool down transmission
	WT	Warning torque converter temperature	Alternate between WS and actual gear / direction while driving, in neutral only displayed WS if no fault is detected ※ Cool down transmission

## 2. MONITOR (7 inch touch screen)

- The monitor is adjustable.
  - Vertical : 30°
  - Horizontal : 15°



760F3CD20-1

### 1) MAIN DISPLAY

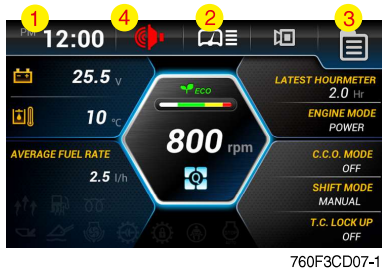
- ※ You can select or set the menu by the switches or touch screen.
- ※ Please refer to switch, page 7-59 for selection and change of menu and input value.
- ※ Display type can be changed by operator. See page 7-54 for details.



760F3CD11-1

- |   |               |    |                               |    |            |
|---|---------------|----|-------------------------------|----|------------|
| 1 | Clock         | 6  | Machine monitoring            | 11 | Engine rpm |
| 2 | Buzzer        | 7  | Fuel rate                     | 12 | Quick menu |
| 3 | Wiper speed   | 8  | Engine mode/Operation history | 13 | 10 lamps   |
| 4 | Camera screen | 9  | Transmission mode             |    |            |
| 5 | Menu          | 10 | ECO gauge                     |    |            |

## (1) Menu bar



760F3CD07-1

※ In main display, you can move to right side menu by touching each icon.

### ① Clock setting

Set the time (hour, minute and AM or PM)

### ② Wiper speed

Set the wiper speed (slow, normal, fast and very fast)

### ③ Menu

Move to main menu.

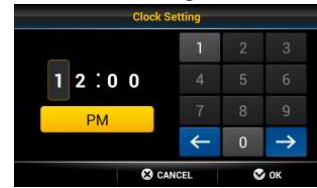
### ④ Buzzer stop

If you want to stop buzzer sound, just touch the



icon.

### ① Clock setting



760F3CD07A-1

### ② Wiper speed



760F3CD07B-1

### ③ Menu



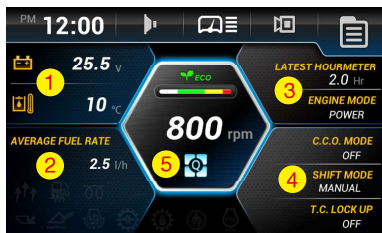
760F3CD07C-1

### ④ Buzzer stop



760F3CD07E-1

## (2) Change display information



760F3CD08-1

※ In main display, you can check the data and setup what you want by touching each window area or icon.

### ① Machine monitoring

To display the item in main display, select two items of them.

#### ※ Priority in the machine monitoring display

The priority of the weighing system is the highest.

If the weighing system is selected, the other items are not available.

To display the other items, the weighing system should not be selected.

※ **Weighing system** : see page 7-42.

### ① Machine monitoring



760F3CD08A-1

## ② Fuel rate

- Set average fuel rate or a days fuel used on main display screen.
- Refer to page 7-49.

## ② Fuel rate



760F3CD08B-1

## ③ Engine mode and operation history

- Set the engine mode (A).
- Refer to page 7-39.
- Set Hour meter / ODO meter (B).
- Refer to page 7-48.

## ③ Engine mode



A

760F3CD08D-1



B

760F3CD08K-1

## ④ Transmission mode

- Set the clutch cut off (A) and shift (B) mode.
- Refer to page 7-40.

## ④ Transmission mode



A

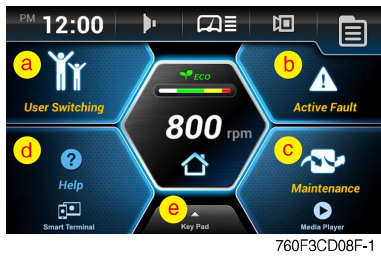
760F3CD08C-1




B

760F3CD08L-1

## ⑤ Quick menu



※ Move the quick menu screen by touching  .

### ① User switching

- When multiple users share a machine, it allows users to switch user settings of machine.
- User can apply or save the setting of monitor easily.

### ② Active fault

- Display the fault code of MCU/ECU/TCU.
- Refer to page 7-49.

### ③ Maintenance

- Elapsed time, change or replace cycle can be changed.
- Refer to page 7-51.

### ④ Help

- Read the monitor manual as a PDF file on the monitor.

### ※ Smart terminal

- The menu features a smartphone and operates the miracast.

### ① User switching



### ② Active fault




### ③ Maintenance



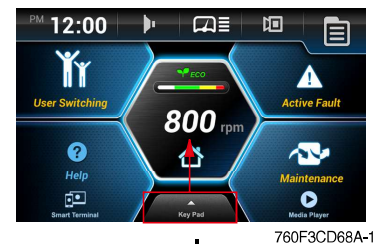
### ④ Help



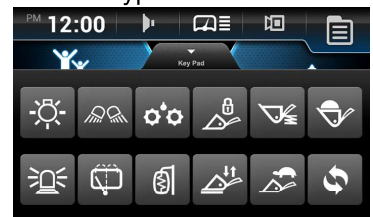
### ⑤ Virtual keypad

To display the virtual keypad, drag the button (  ) to top of the screen.

※ Refer to the page 7-59 for details.

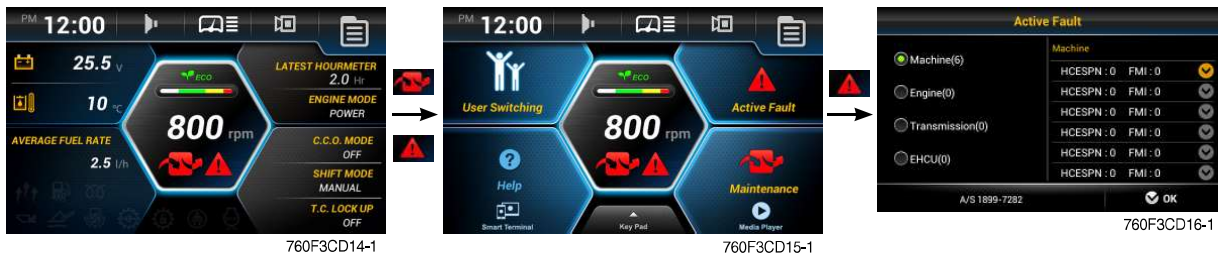


### Virtual keypad





### (3) Fault and maintenance warning



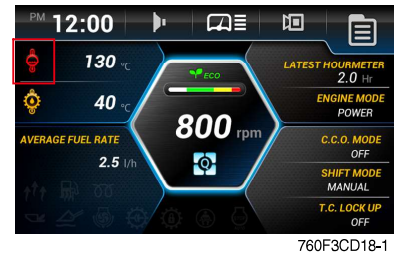
- ① If you touch the warning sign (red icon), move to the quick menu.
- ② You can check the fault message and move the maintenance screen by touching relevant area.



### (4) Machine monitoring warning

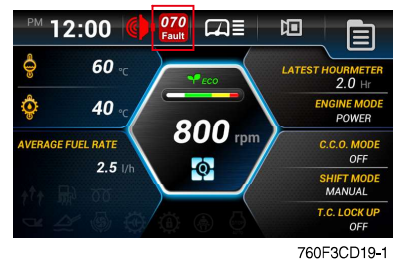
- ① Warning sign (red icon) will be shown when the temperature of hydraulic oil, cooling water, transmission oil or battery voltage is not normal state.
- ② Case of warning sign

Icon	Description
	Above 106°C of hydraulic oil temperature
	Above 105°C of cooling water temperature
	Above 107°C of transmission oil temperature
	Below 24.5 voltage of battery (for 3 minutes)



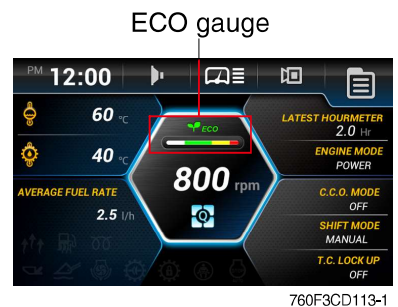
### (5) Communication error

- ① MCU could not communicate with monitor over 10 seconds, error message will be show on the screen.








### (6) Eco gauge

- ① This gauge indicates the fuel consumption rate and machine load status. So that operators can be careful with fuel economy.
- ② The fuel consumption rate or machine load is high, the segment is increased.
- ③ The color of Eco gauge indicates operation status.
  - White : Idle operation
  - Green : Economy operation
  - Yellow : Non-economy operation at a medium level.
  - Red : Non-economy operation at a high level.



## 2) MAIN AND SUB MENU

### (1) Structure

No	Main menu	Sub menu	Description
1	<p>Mode</p>  <p>760F3CD25A</p>	<p>Engine setting Kick down C.C.O mode Shift mode Work load Boom/bucket detent mode Speedometer frequency setting Cooling fan reverse mode Wiper level setting Calibration</p> <p>Engine auto shutdown</p>	<p>Engine mode, Engine speed Mode 1 (down/up), Mode 2 (down only) Clutch cut off mode (Off, L, M, H) Transmission shift mode (manual, AL, AN, AH) Weighing system, Weighing display, Error detection Boom/bucket detent ON/OFF, Save position Speedometer setting Off, Manual, Automatic Slow, Normal, Fast, Very fast Boom/bucket angle, Boom pressure, Brake pedal sensor, AEB Once, Always, Disable, ESL system setting</p>
2	<p>Monitoring</p>  <p>760F3CD25B</p>	<p>Machine monitoring Operation history Fault history Fuel consumption history</p> <p>Machine information</p>	<p>Hyd, Coolant and T/M oil temp, Battery voltage Hour meter, ODO meter Active/Logged fault (MCU, ECU, TCU) General record, Hourly record, Daily record, Mode record TCU, ECU, MCU, RMCU, Monitor, Cluster</p>
3	<p>Management</p>  <p>760F3CD25C</p>	<p>Machine security Maintenance Service menu</p> <p>Change A/S phone number Software update</p>	<p>ESL system setting, Change password, Smart key Elapsed time, Cycle, Maintenance history Sensor monitoring, Speed limit setting, Weighing system compensation Check and change of contact information Update file in USB memory</p>
4	<p>Preference</p>  <p>760F3CD25D</p>	<p>Brightness setting Clock setting Unit setting</p> <p>Display style/Language Sound output setting Camera setting</p>	<p>Manual, Automatic Clock setting Temp (° F/° C), Speed (km/h, mph), Weight (ton, lb), Pressure (bar, Mpa, kgf/m², psi) Type A, Type B, 13 multiple language Internal speaker, External speaker (Aux) Active camera, Display order, Reverse mode</p>
5	<p>Multimedia</p>  <p>760F3CD25E</p>	<p>Multimedia</p>	<p>Play video and audio files in USB.</p>

## (2) Mode

### ① Engine setting mode



- **Engine mode**

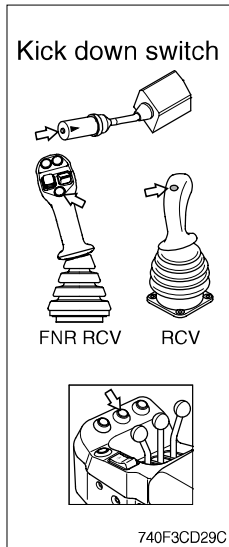
The operator can adjust the machine's performance.

- Econo : Maximum fuel efficiency for general loading.
- Standard : General digging and loading operation.
- Power : Maximum power output for hard digging operation or hill climb.

- **Engine speed**

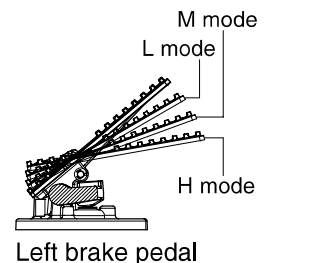
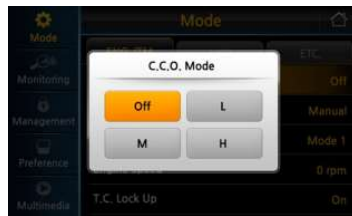
Setting engine low idle rpm.

## ② Kick down mode



- **Manual mode** (shift mode : manual)  
It is effective 2nd speed to 1st speed only and recover to 2nd speed quickly when push the switch one more time.
  - **Automatic mode** (shift mode : AL, AN, AH)
    - **Mode 1** (down/up)  
It shifts down quickly from current gear to one step lower speed by pushing the switch and recover to current speed quickly when push the switch one more time.
    - **Mode 2** (down only)  
It shifts down from current gear to one step lower speed when push the switch every time.  
The kick down function is released in only 1st speed.
- ※ **The normal autoshift function continues after the kick down switch is released.**

## ③ Clutch cut off (C.C.O) mode



- Four modes are available for operator's preference and job condition.
  - OFF : The clutch cut off function is disable.
  - L (Low) : The clutch is disengaged early for short-distance and rapid loading.
  - M (Medium) : The clutch is disengaged normally for general digging and loading operation.
  - H (High) : The clutch cut off function is automatically adjusted depending on slope angle or machine load, And inching fuction becomes possible by using the brake pedal.
- The clutch cut off functions of the left brake pedal depend on the position of the left brake pedal and the setting of the clutch cut off mode.

Positions for clutch cut off function			
Clutch cut off mode	L	M	H
Left brake pedal	L, M	M	H

#### ④ Shift mode



- Four modes are available for operator's preference and job condition.
  - Manual : Machine is operated by selected gear on lever.
  - AL (Auto Light) : Automatic shifting point is fast for long-distance transportation and fuel efficiency.
  - AN (Auto Normal) : Automatic shifting point is normal without automatic kick-down to 1st gear for general digging and loading operation.
  - AH (Auto Heavy) : Automatic shifting point is normal with automatic kick-down to 1st gear for more powerful operation.

## ⑤ Work load mode

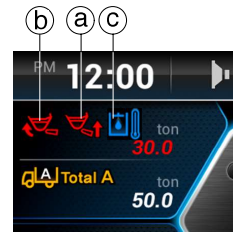


760F3CD33A



760F3CD33B-1

- Weighing system : Set the workload measurements.
- Weighing display : Set the display on main display screen.
- Initialization : Workload initialization.
- Error detection : Set error detection ON/OFF.
  - OFF : Errors are not displayed.
  - ON : ①, ② and ③ are displayed on main display screen.
    - ① The boom lift was performed too fast.
    - ② The bucket was not in the fully tilted back position while bucket was in the weigh range.
    - ③ The hydraulic temperature is low (below 40 °C).
- Boom pressure calibration : See the page 7-46 for details.

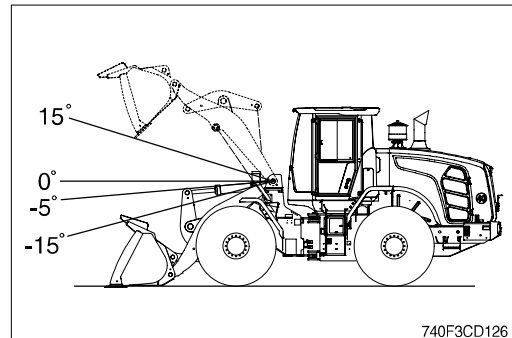


760F3CD33CK

※ Refer to page 7-62 for details.

### ※ Weighing system

- The weight indication in bucket is calculated by measuring boom position and boom pressure.
- ① The weight is '0.0 ton' when the boom is placed at below -15°.
- ② The weight is indicated when the boom is placed at the range (-5°→15°).
- ③ The weight is calculated when the boom is placed at above -5° and boom is lowered below -15° after dumping operation.



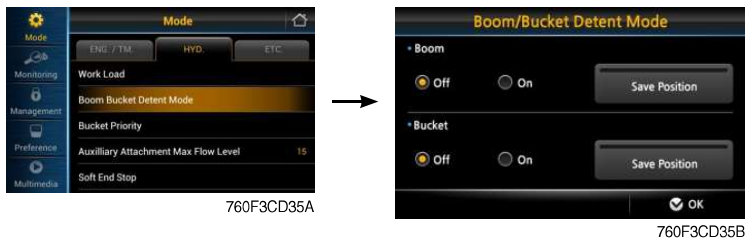
740F3CD126

In order to recheck weight, go to the ② after changing boom position (below -15°).

- Dump operation : It is checked by bucket cylinder's stroke change.  
(HL940, HL940XT : below 250 mm, HL940TM : over 250 mm)

※ The temperature for the hydraulic oil must be raised to at least 40 °C (104 °F) before operation.



## ⑥ Boom/bucket detent mode



- OFF : Detent functions are not operated.
- ON : Boom or bucket detent functions are operated.
- Save position : See page 6-56.

## ⑦ Speedometer frequency setting mode



- Press speedometer setting bar (or ) for 3 seconds.
- ※ **Only for the service person. Do not adjust arbitrary.**
- ※ **Using button**
- To change the pulse value, press ◀ or ▶.
- To change the position, press .

## ⑧ Cooling fan reverse mode



- **Manual** : Rotate the fan with reverse direction while pressing the button "Excute".
- **Automatic** : Rotate the fan with reverse direction by preset cycle.
  - Interval : 30 min ~ 5 hrs
  - Time : 30 sec ~ 5 min
- ※ **Default : Interval (60 min), time (120 sec)**



### ⑨ Wiper level setting mode



- Setting wiper speed (slow, normal, fast and very fast).



## ⑩ Calibration



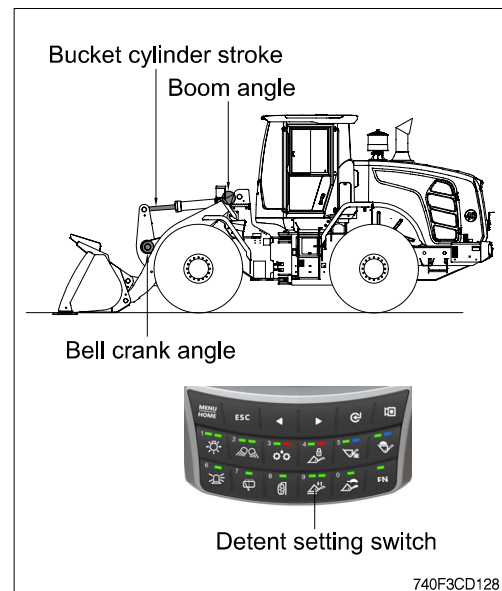
- Press NEXT button after following the instruction at each step.
- If correction is right, NEXT button will be activated, then go to next stage.
- After following each step correctly, the message "Calibration is done" will be shown. Press complete button, then process be ended.

### ※ Using switch




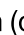
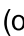
- Using  instead of NEXT, complete button.

### · Boom / Bucket angle calibration

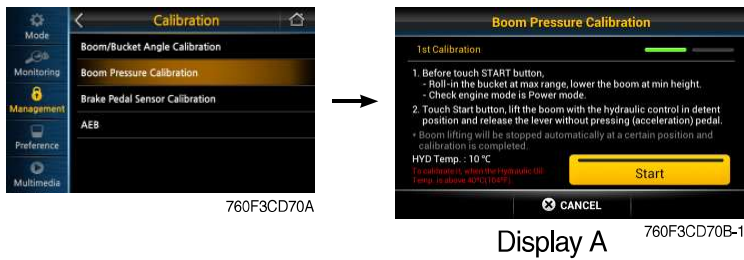
- MCU get sensing signal from boom angle and bell crank angle and calculate bucket cylinder stroke and boom link position angle from ground real time basis.
- Boom angle position and bucket cylinder stroke is set by detent setting switch on monitor.
- Individual setting position is done by lever (detent, release operation).
- Angle sensor calibration is basically carried out before delivery of the machine. When angle sensor is replaced or actual value is different compared to setting value, this function can be done.



- The calibration must be carried out as follows :

- ① Lower the boom at maximum low position and press NEXT button or  (bucket must be max tilting position).
- ② Raise boom at maximum high position and press NEXT button (or ).
- ③ Position boom at  $-5^{\circ}$  and press NEXT button (or ).
- ④ Retract bucket cylinder length (to minimum position) at  $-5^{\circ}$  boom position and press NEXT button (or ).
- ⑤ Extend bucket cylinder length (to maximum position) at  $-5^{\circ}$  boom position and press NEXT button (or ).
- ⑥ In case above steps are carried normally, "Calibration is done" message is shown. Then angle sensor calibration is finished.

· **Boom pressure calibration**



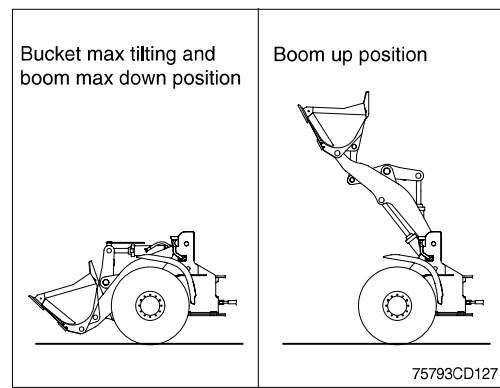
- Press START button after following the instruction.
- After a few minutes, "Calibration fail" or "Calibration success" message will be shown. Press complete button then process be ended.

※ **Using button**

- Using instead of NEXT, complete button.

· **Boom pressure calibration**

- It is used when bucket weight is changed or measured weight is inaccurate.
- The calibration must be carried out as follows :
  - ① Increase hydraulic temperature (about 40~60°C).
  - ② Select "Boom-pressure".
  - ③ Roll-in the bucket at maximum range and lower the boom at minimum height.
  - ④ Press START button.
  - ⑤ Raise boom to maximum position. Boom up must be finished before stepping advance in "display A".
  - ⑥ If it show "Calibration success" message in a moment, press complete button (or ).



- ※ **Raise hydraulic temperature enough when checking work load / boom pressure sensor calibration (recommendation : about 40 ~ 60°C).**
- ※ **Check if pressure sensor or angle sensor is in normal condition for accurate work load algorism or pressure sensor calibration [pressure sensors at boom cylinder head area and rod area, boom angle sensor (CD-80), bell crank angle sensor (CD-81)].**
- ※ **Sensor error message during pressure sensor calibration : sensor need to be checked.**

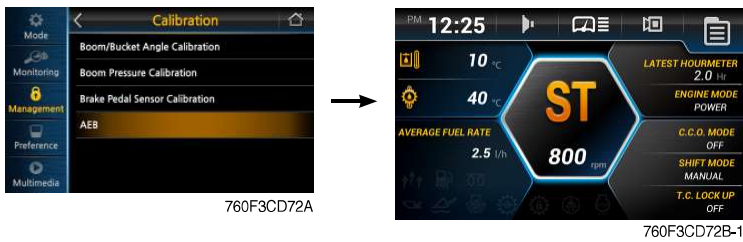
· **Brake pedal sensor calibration**






- Turn the engine OFF and turn the starting switch ON position.
- Press OK button, then calibration will be started.
- When display "IP " on main display, press slowly the brake pedal completely.
- Release the brake pedal when display "IP " on main display.
- For cancel, press MENU/HOME switch.

- ※ When the brake pedal or sensor is replaced, **brake pedal sensor calibration must be performed.**

· **AEB**



- AEB mode controls the disk clearance of the transmission, automatically.
- To start AEB setting, press AEB bar (or ) for 3 seconds.
- To cancel AEB setting, press .
- If "OK" in actual gear window, press  to complete AEB setting.
- **Display during AEB mode**

Symbol	Meaning
ST	Start AEB
K1~K4, KV, KR	Calibrating clutch K1~K4, KV or KR respectively
OK*	Calibration for all clutches finished
Spanner and Kx*	Kx couldn't be calibrated, AEB finished
△E	Engine speed too low - Raise engine speed
▽E	Engine speed too high - Lower engine speed
△T	Transmission oil temperature too low - Heat up transmission
▽T	Transmission oil temperature too high - Cool down transmission
FO*	Output speed not zero
FN*	Shift lever not in neutral position
FP*	Parking brake not applied

\* : Transmission stays in neutral, you have to restart the TCU (starting switch off/on).

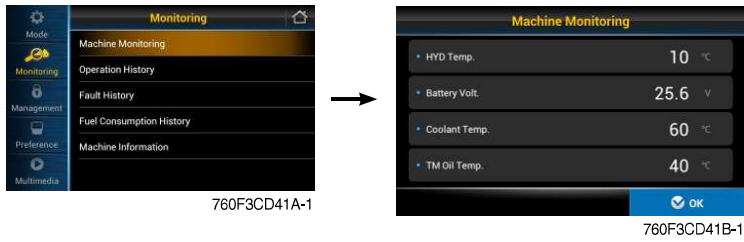
⑪ **Engine auto shutdown mode**



- The engine auto shutdown function can be activated or cancelled.
- Engine runs for the setting time (2~40 minutes) and then shuts down.

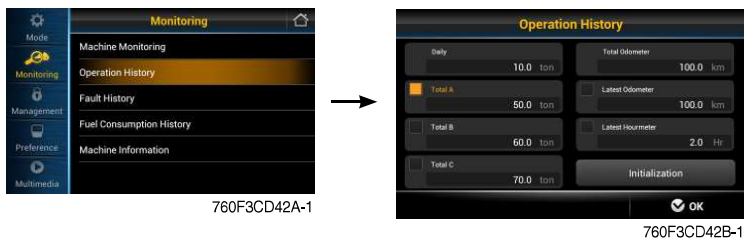
### (3) Monitoring

#### ① Machine monitoring



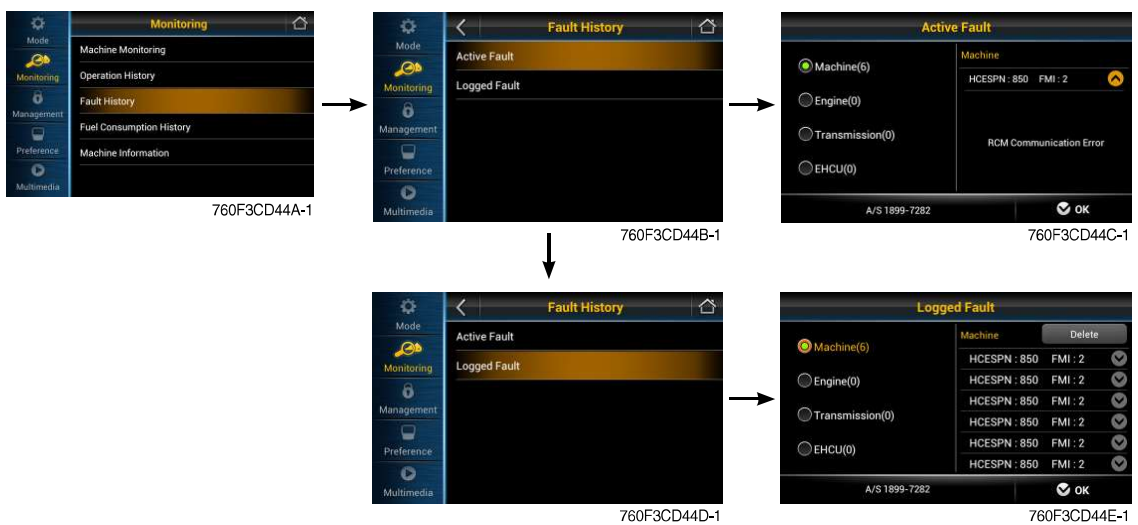
- Monitor the status of the machine.

#### ② Operation history



- **Hour meter / ODO meter**
- **Total**
  - Total distance (this item cannot be initialized).
  - Total working hour can check on service meter.
- **Latest**
  - Working hour/distance after reset.
  - If you select **Initialization**, working hour/distance start zero.
- To display the item in main display, select the item in main display. See the page 7-53.

#### ③ Fault history



- Display the fault code of MCU/ECU/TCU and delete logged fault.
- ※ Refer to service manual for HCESPN/FMI of engine and transmission.
- ※ Not define will be indicated in case of that there's no fault.

#### ④ Fuel consumption history



760F3CD141



760F3CD141A



760F3CD141C



760F3CD141E



760F3CD141G

- Display the fuel consumption history.
  - General record (average fuel rate and a days fuel used)
  - Hourly record
  - Daily record
  - Mode record

#### ⑤ Machine information



760F3CD46A-1



760F3CD46B

- Software versions of MCU, ECU, TCU, Cluster and monitor can be checked.

#### (4) Management

##### ① Machine security



##### · ESL system setting

- ESL : Engine Starting Limit
- ESL mode is designed to be a theft deterrent or will prevent the unauthorized operation of the machine.
- If the ESL mode was selected ON, the password will be required when the start switch is turned ON.
- **Disable** : Not used ESL function
- **ON, Always** : The password is required whenever the operator start engine.
- **ON, After specific time** : The password is required when the operator start engine first. But the operator can restart the engine within the specific time without inputting the password. The specific time can be set maximum 2 days.



##### · Specific time

- If set specific time to 5 minutes, ESL system is activated after 5 minutes. Therefore, the password does not need to restart engine within 5 minutes.

##### ※ Default password : 00000

##### · Change password

- Input 5 to 10 digits.

##### · Smart key (opt)

- Manage usage : Set the using or not of smart key.  
If you using smart key, ESL function always be activated.
- Manage tag : Register or delete user tag and display registered user tag.  
When delete user tag, all user tag will be deleted.

##### ※ Using smart key

##### - Verification success

Green smart key icon is displayed on the main display screen.

##### Verification failure

- Red smart key icon and password input screen is displayed.



Verification success



Verification failure

## ② Maintenance



- Replacement : The elapsed time will be reset to zero (0).  
Change cycle : The change or replace cycle can be changed in the unit of 50 hours.
- Show the maintenance history below 10.  
When history have more than 10, delete the old item.
- **Change or replace interval**

No	Item	Interval
1	Engine oil	500
2	Hydraulic oil	★ <sup>1</sup> 2000 ★ <sup>2</sup> 5000
3	Pilot line filter element	1000
4	Hydraulic oil return filter	1000
5	Engine oil filter	500
6	Fuel filter element	500
7	Fuel pre-filter	500
8	Hydraulic tank air breather	1000
9	Radiator coolant	2000
10	Transmission oil and filter	1000
11	Axle oil (front and rear)	1500
12	Aircon & heater outer filter	1000
13	Crankcase Breather filter	2000
14	DEF/AdBlue® supply module filter	4500
15	DEA/AdBlue® tank filter	4000

★<sup>1</sup> : Conventional hydraulic oil

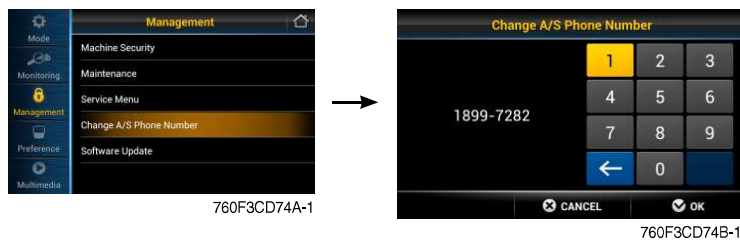
★<sup>2</sup> : Hyundai genuine long life hydraulic oil

### ③ Service menu



- **Sensor monitoring** : Display information of each sensors.
- **Speed limit setting** : 20~40 km/h (5 km/h intervals)
- **Weighing system compensation**
  - Calibration workload depending on work tool.
  - ※ **Only for the service person. Do not adjust arbitrary.**

### ④ Change A/S phone number and software update

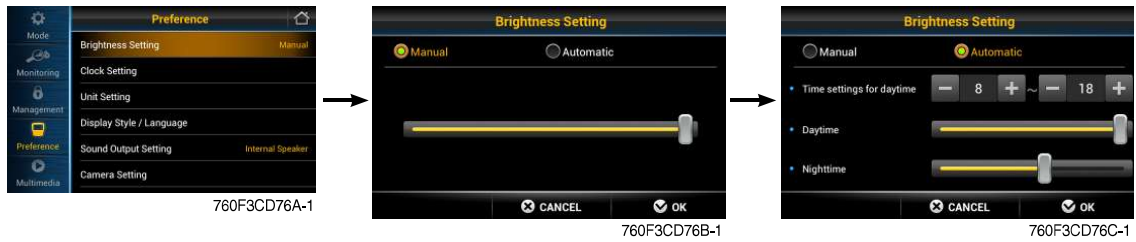


- **Change A/S phone number** : Check and change of contact information for customer service.
- **Software update** : Update file in USB memory.



## (5) Preference

### ① Brightness setting



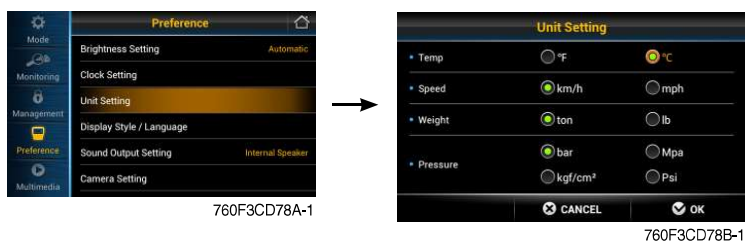
- **Manual**
  - Manual setting for LCD brightness.
- **Automatic**
  - Automatic control of LCD brightness as set level of day/night.
- **Setting day time**
  - Set the time for daylight.
  - If you set the time for daylight, the rest time will be night.
- ※ **Using button**
  - Changing brightness by ◀ or ▶ , input data by ⌂.

### ② Clock setting



- Set the time (hour, minute and AM or PM)

### ③ Unit setting



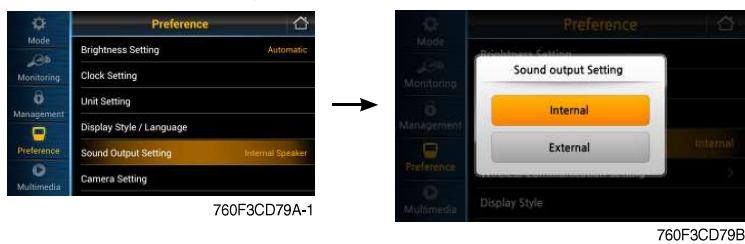
- Temperature : °C ↔ °F
- Speed : km/h ↔ mph
- Weight : ton ↔ lb
- Pressure : bar ↔ Mpa ↔ kgf/m² ↔ psi
- ※ **Using button**
  - Move to other item by ⌂.

#### ④ Display style/ Language



- Set the display type A or B.
- User can select preferable language and all display are changed the selected language.
- 13 multiple language available.



#### ⑤ Sound output setting



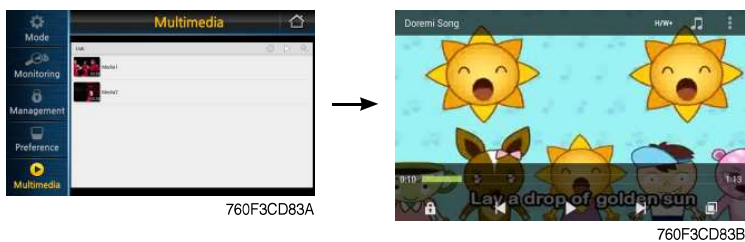
- Internal
  - Use speaker of monitor.
- External
  - Use cab speaker. User should put radio mode into Aux mode.

## ⑥ Camera setting



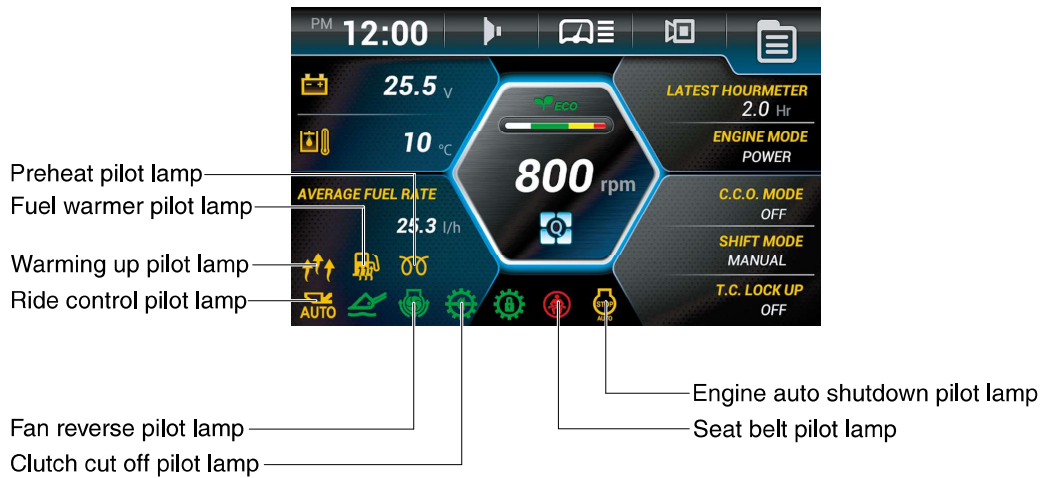
- **Active camera**
  - Four cameras can be installed on the machine.
- **Display order**
  - Set the channel sequence of each camera.
- **Active when the reverse gear is selected**
  - If transmission engages the reverse gear (R1~R3), the camera mode is displayed automatically in main display.
- If the camera was not equipped, this menu is not useful.
- In main display, if the  is touched (or  switch is pushed), the first ordered display camera will be viewed.

## (12) Multimedia



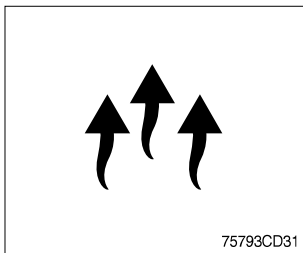
- Play video files in USB (mp4, mkv, avi, 3gp, divx, f4v, flv, mpeg, mov, vob, wmv, webm, xvid).
- Play audio files in USB (mp3, mp4, ogg, wma, wav, flac, aac).

### 3) PILOT LAMPS



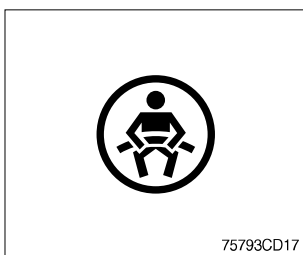
740F3CD90-1

#### (1) Warming up pilot lamp



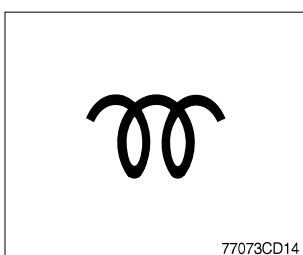
- ① This lamp lights ON when the coolant temperature is below 30°C (86°F).
- ② The automatic warming up is cancelled when the engine coolant temperature is above 30°C, or when 10 minutes have passed since starting the engine.

#### (2) Seat belt pilot lamp



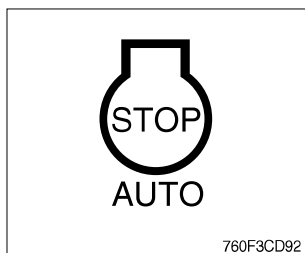
- ① This lamp lights ON for the first five seconds after starting the engine.

#### (3) Preheat pilot lamp



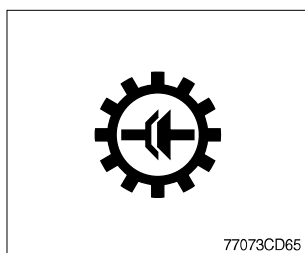
- ① This lamp lights ON when start switch is turned clockwise to the ON position. Light will turn off after approximately 5~45 seconds, depending on engine temperature, indicating that preheating is completed.
- ② When the lamp goes out the operator should start cranking the engine.

#### (4) Engine auto shutdown pilot lamp



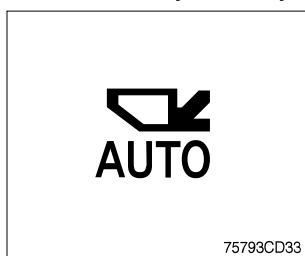
- ① This lamp lights ON when the engine auto shutdown function is activated.
- ※ Refer to page 7-47.

#### (5) Clutch cut off pilot lamp

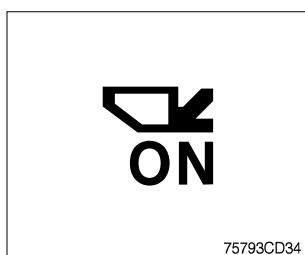


- ① This lamp lights ON when clutch cut off mode is set L, M, H.
- ※ Refer to page 7-40.

#### (6) Ride control pilot lamp (option)

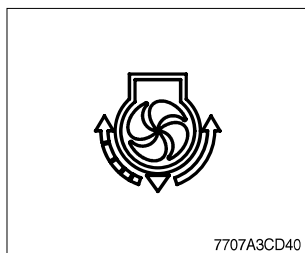


- ① **Auto ride control**  
This lamp lights ON when the automatic ride control function is activated (**ON, Conditional speed** setting).
- ※ Refer to page 7-61.



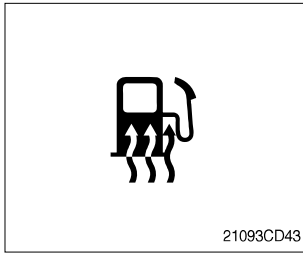
- ② **Manual ride control**  
This lamp lights ON when the manual ride control function is activated (**ON, Always** setting).
- ※ Refer to page 7-61.

#### (7) Fan reverse pilot lamp



- ① This lamp lights ON when the cooling fan reverse mode is activated.
- ※ Refer to page 7-43.

### (8) Fuel warmer pilot lamp



- ① This lamp is turned ON when the coolant temperature is below 10°C (50°F) or the hydraulic oil temperature 20°C (68°F).
- ② The automatic fuel warming is cancelled when the engine coolant temperature is above 60°C and the hydraulic oil temperature is above 45°C since the start switch was ON position.

### 3) SWITCHES



740F3CD95-1

- ※ If you push left or right switch ( ◀ ▶ ) on main display, show the select box on current time. Move to next item in order by using left / right button.  
 (① Time → ② Buzzer → ③ Wiper → ④ Camera → ⑤ Menu → ⑥ Machine monitoring → ⑦ Fuel rate → ⑧ Engine mode/Operation history → ⑨ Transmission mode → ⑩ Quick menu)
- ※ Move to selected setting screen by using enter switch ( ⏎ ).
- ※ When keypad is not pressed for 3 seconds, convert screen to main display.
- ※ If you push left and right switch ( ◀ ▶ ) at the same time, move language settings.

#### (1) Menu / Home switch



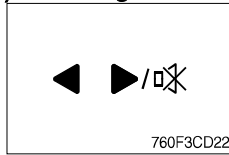
- ① Main display to main menu, main menu to main display.

#### (2) ESC switch



- ① For other menu, this is used for cancellation (move to previous menu).
- ② AEB cancel or finish button in AEB.

### (3) Left / Right move switch



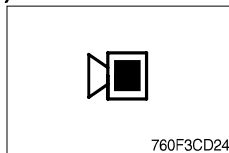
- ① Move in menu (left, up / right, down).
- ② Decrease / Increase input value.
- ③ Stop buzzer sound when sound is on.

### (4) Enter switch



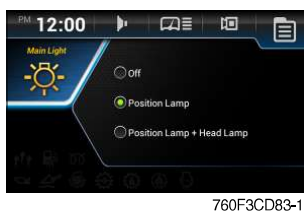
- ① Select menu (enter).

### (5) Camera switch



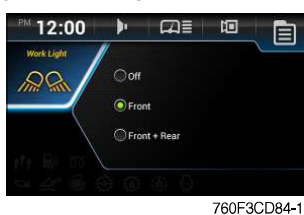
- ① Enter rear camera mode in main display.

### (6) Main light switch



- ① This switch use to operates the clearance lamp and head light.
  - **Position lamp** : Clearance lamp and cluster illumination lamp come ON. The green pilot lamp is turned ON.
  - **Head lamp + Position lamp** : Clearance lamp, cluster illumination lamp and head light come ON. The green pilot lamp is turned ON.

### (7) Work lamp switch



- ① This switch use to operates the front and rear work lamps.
  - **Front** : Front work lamp located on the cab comes ON. The green pilot lamp is turned ON.
  - **Front + Rear** : Front work lamp located on the cab and rear work lamp located on the cowl come ON. The green pilot lamp is turned ON.



## (8) Quick coupler switch (option)



### ① Locking attachment

- The quick coupler pins move in the engaged position and buzzer sounds.
- The green pilot lamp is turned ON.

### ※ Check for engagement as followings.

- a. Put down pressure on the attachment.
- b. Back up the machine and make sure that there is no movement between the quick coupler and attachment.

### ② Unlocking attachment

- The quick coupler pins move in the disengaged position and buzzer sounds.
- The red pilot lamp is turned ON.

⚠ Always check that the attachment is properly secured to the attachment quick coupler by pressing the front part of the attachment against the ground.

⚠ Never use an attachment before you have checked its mounting.

## (9) Ride control switch (option)



### ① ON, Conditional speed

- Select **ON, conditional speed** in order to turn on the automatic ride control. The automatic ride control automatically turns on when the travel speed exceeds a preset speed. (forward / backward 1~15 km/h)
- The blue pilot lamp is turned ON.

### ② ON, Always

- Select **ON, Always** in order to turn on the system for ride control regardless speed. The ride control will smooth the ride of the machine during travel.
- The green pilot lamp is turned ON.

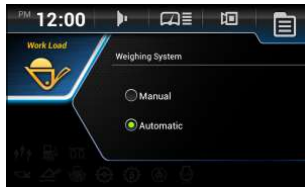
### ③ OFF

Select **OFF** in order to turn off the system for the ride control.

## (10) Work mode switch



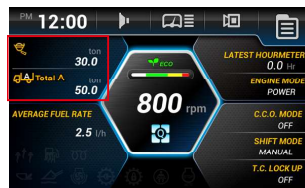
760F3CD115A-1



760F3CD115B-1



760F3CD115C-1



760F3CD115E-1



760F3CD115D-1

### ① Weighing system

#### - Manual

Accumulate the weight in memory A, B, C manually.

The green pilot lamp is turned ON.

※ Refer to the page 7-68 for workload button.

#### - Automatic

Accumulate the weight in memory A, B, C automatically.

The blue pilot lamp is turned ON.

※ Refer to the page 7-42 for weighing system.

※ Refer to the page 7-46 for boom pressure calibration.

### ② Weighing display

Selected item is shown in main display.

	Work weight (today)
	Work weight (previous day)
	Total weight accumulated in memory A, B, C individually regardless of date
	Current weight

※ Initialization daily, total A, B, C

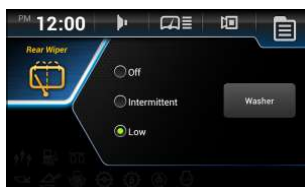
Initialize accumulated value at memory daily, A, B and C.

### ③ Error detection

Set error detection ON/OFF.

※ Refer to the page 7-42 for details.

## (11) Rear wiper and washer switch



760F3CD89-1

① This switch use to operates the rear wiper and washer.

When pressing the switch, the mode is changed sequence base.  
(OFF → intermittent → Low → OFF )

- **Intermittent** : The rear wiper operates intermittently.
- **Low** : The rear wiper is operated lower speed.
- **Washer** : The washer liquid is sprayed while long pressing the button.

② The green pilot lamp is turned ON.

(12) Beacon lamp switch (option)



760F3CD88

- ① This switch turns ON the rotary light on the cab.
- ② The green pilot lamp is turned ON.

(13) Mirror defrost switch (option)



760F3CD65

- ① **ON**
  - In condition of ON, it operates for 15 minutes. After 15 minutes, the defrost function stops automatically.
  - The green pilot lamp is turned ON.
- ② **OFF**
  - Stops defrost function.

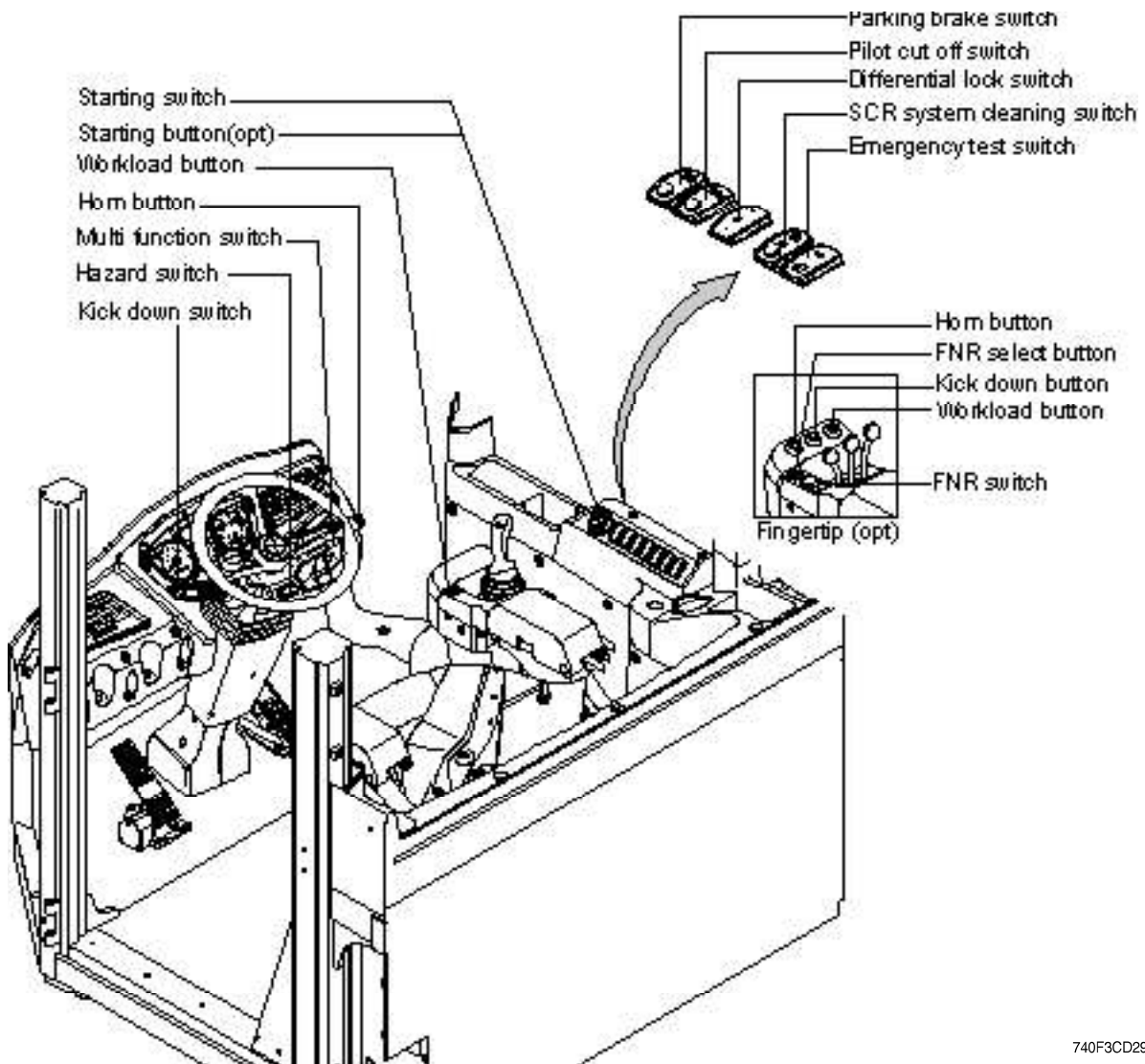
(14) Detent setting switch



760F3CD66

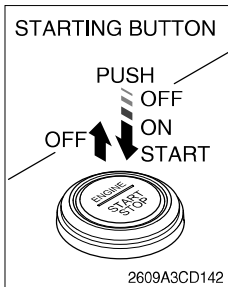
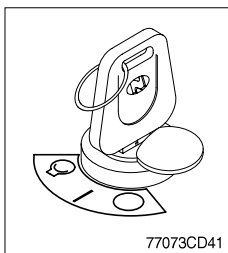
- ① **Boom and bucket**
    - Set the boom and bucket detent function ON/OFF.
  - ② **Save position**
    - Set the boom kickout and bucket leveler.
- ※ The green pilot lamps are turned ON.

### 3. SWITCHES



740F3CD29

#### 1) STARTING SWITCH & STARTING BUTTON (OPT)



Starting button with smart key tag (opt)

(1) There are three positions, OFF, ON and START.

- ○ (OFF) : None of electrical circuits activate.
- | (ON) : All the systems of machine operate.
- Ⓚ (START) : Use when starting the engine.

Release key immediately after starting.

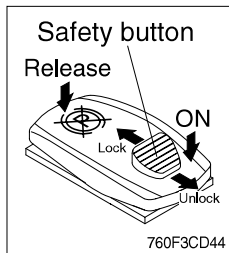
- ※ If you turn ON the starting switch in cold weather, the fuel warmer is automatically operated to heat the fuel by sensing the coolant temperature. Start the engine in 1~2 minutes after turning ON the starting switch. More time may take according to ambient temperature.
- ※ Key must be in the ON position with engine running maintain electrical and hydraulic function and prevent serious machine damage.

## 2) PILOT CUT OFF SWITCH



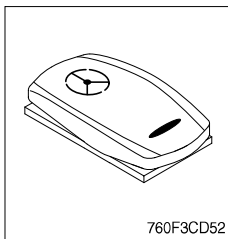
- (1) When the switch is pressed to OFF position, the hydraulic pilot line will be cut off, so the work equipment will not operate.
- (2) Press the ON position in order to unlock the hydraulic pilot line.  
※ **This switch can be set to ON or OFF position only when the safety button is pulled to the unlock position.**

## 3) PARKING BRAKE SWITCH



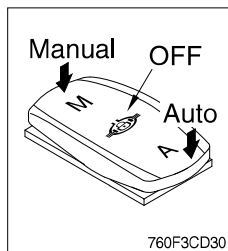
- (1) When the switch is pressed to ON position, the parking brake will start to operate and the cluster warning lamp will come ON.
  - (2) Press the release position in order to disengage the parking brake.  
※ **When operating the gear selector lever, be sure to release the parking brake. If the machine is operated with the parking brake engaged, the brake will overheat and may cause the brake system to go out of order.**
- ※ **This switch can be set to ON or Release position only when the safety button is pulled to the unlock position.**

## 4) EMERGENCY TEST SWITCH (option)



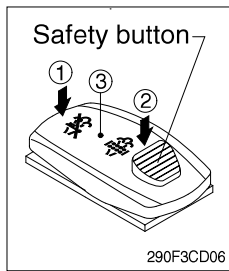
- (1) The emergency steering system can be manually tested. Push the switch in order to determine if the emergency steering and the emergency steering lamp are functional.
- (2) When the switch is pressed, the emergency steering pump motor will run. The emergency steering lamp will light. If the emergency steering lamp does not light, do not operate the machine.

## 5) DIFFERENTIAL LOCK SWITCH (option)



- (1) This switch is used to apply differential lock. The differential lock gives equal power to both front wheels and is used in conditions when traction is poor.
- (2) **Manual mode**  
Press the **M** of the switch for the manual mode of the differential lock function. You press the switch, the differential lock will engage immediately and differential lock pilot lamp lights ON. Manual mode is temporarily engaged as long as the operator pushes the switch. When the switch is released, differential lock function is disengaged and the switch returns to OFF position.
- (3) **Auto mode**  
Press the **A** of the switch for auto mode of the differential lock function. If you press the switch, the axle differential lock will automatically engage when the differential function is used.  
※ **While the axle differential lock function is operating, the differential lock pilot lamp lights ON.**

## 6) SCR (selective catalytic reduction) SYSTEM CLEANING SWITCH



(1) This switch is used to select the SCR system cleaning.

### (2) Inhibit position (①)

- ① The inhibit position disallows any automatic or manual SCR system cleaning.
- ② This may be used by operator to prevent SCR system cleaning when the machine is operating in a hazardous environment is concerned about high temperature.
- ③ It is strongly recommended that this position is only activated when high temperatures may cause a hazardous condition.

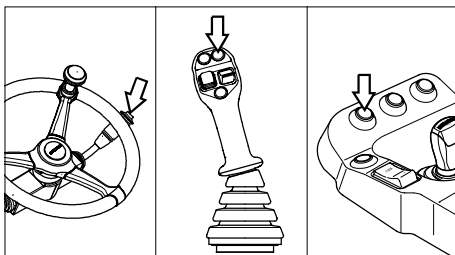
### (3) Automatic SCR system cleaning position (③)

This position will initiate a automatic SCR system cleaning.

### (4) Manual SCR system cleaning position (②)

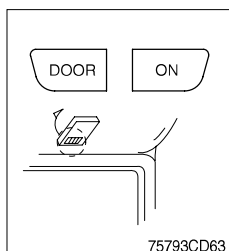
- ① This position will only initiate a manual SCR system cleaning when the machine is in non-mission condition, engine must run at low idle speed and SCR system levels are high enough to allow cleaning.
  - ② HEST lamp will be illuminated during the entire SCR system cleaning.
- ※ Refer to the page 7-29 for details.
- ※ This switch can be move to the SCR system cleaning position (②) only when the safety button is pulled to backward.
- ※ Also, this switch return to the OFF position when released the manual SCR system cleaning position (②).

## 7) HORN BUTTON



(1) If you press the button, the horn will sound.

## 8) CAB LAMP SWITCH



(1) This switch turns ON the cab room lamp.

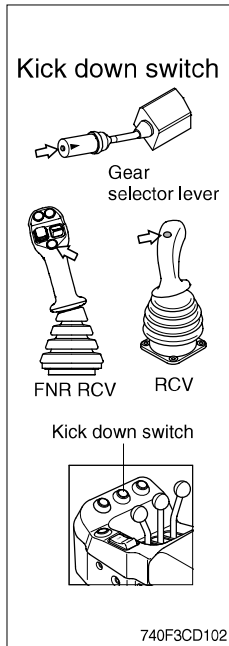
### ① DOOR

The lamp comes ON when the door is opened.  
When the door is closed the lamp is OFF.

### ② ON

This switch is used to turn the lamp ON or OFF.

## 9) KICK DOWN SWITCH



### (1) Manual mode

It is effective 2nd speed to 1st speed only and recover to 2nd speed quickly when push the switch one more time.

### (2) Automatic mode

#### ① Mode 1 (down/up)

It shifts down quickly from current gear to one step lower speed by pushing the switch and recover to current speed quickly when push the switch one more time.

#### ② Mode 2 (down)

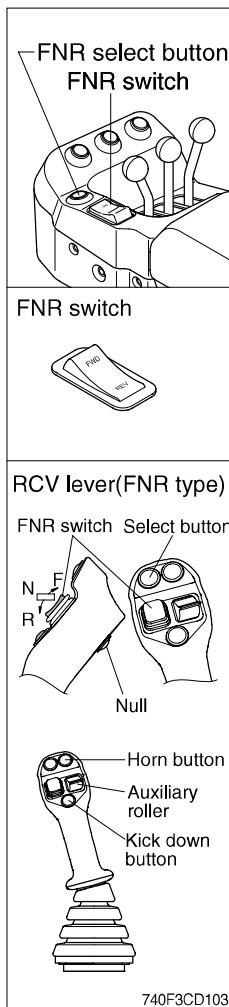
It shifts down from current gear to one step lower speed when push the switch every time.

The kick down function is released in only 1st speed.

※ Refer to page 7-40 for the kick down mode.

※ The normal autoshift function continues after the kick down switch is released.

## 10) FNR SELECT BUTTON AND SWITCH



(1) These button and switch are used for forward and backward drive.

※ Gear range can be selected by gear selector lever.

### (2) FNR select button

① If the select button is pressed, the indication lamp on the cluster will be ON and this FNR switch will start to operate.

※ When the engine is running, the machine is on standstill (0 speed), parking brake is released, gear selector lever is in the neutral position, you can use this function after pressing the select button.

### (3) FNR switch

- F : Forward drive
- N : Neutral
- R : Reverse drive

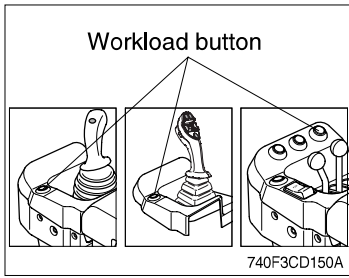
① If the upper side (F, FWD) of this switch is pushed, the machine moves forward.

② If the down side (R, REV) of this switch is pushed, the machine moves backward.

③ This function is automatically released when the engine is stopped, parking brake is ON or gear selector lever is out of neutral.

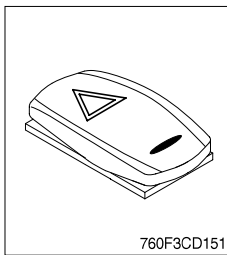
(4) Auxiliary roller : If the machine is equipped with auxiliary hydraulics, this roller is used for the attachments.

## 11) WORKLOAD BUTTON



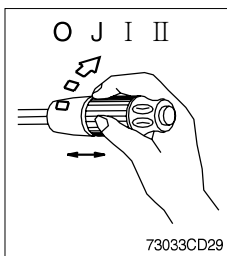
- (1) This button is used to calculate the weight manually.  
If the button is not pushed, the weight of the weighing system is not calculated.
  - (2) This button is pushed for one second more, calculated weight will be accumulated.
- ※ Refer to the page 7-42, weighing system.

## 12) HAZARD SWITCH



- (1) Use for parking or loading the machine.
  - (2) Both turn signal lights will flash simultaneously.
- ※ If the switch is left ON for a long time, the battery may be discharged.

## 13) MULTI FUNCTION SWITCH

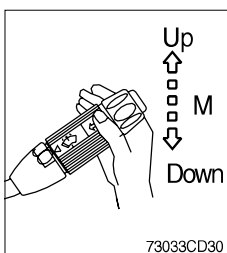


### (1) Front wiper and washer switch

- ① When the switch is in J position, the wiper moves intermittently.
- ② When placed in I or II position, the wiper moves continuously.
- ③ If you push the grip of the lever, washer liquid will be sprayed and the wiper will be activated 2-3 times.

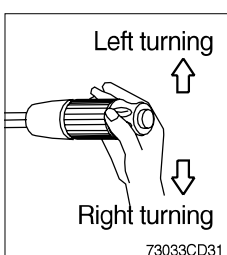
※ Check the quantity of washer liquid in the tank. If the level of the washer liquid is LOW, add the washer liquid (in cold, winter days) or water. The capacity of the tank is 1 liter.

※ If the wiper does not operate with the switch in ON (J, I, II) position, turn the switch OFF (O) immediately and check the cause. If the switch remains ON, motor failure can result.



### (2) Dimmer switch

- ① This switch is used to turn the head lights direction.
- ② Switch positions
  - Up : To flash for passing
  - Middle : Head lights low beam ON
  - Down : Head lights high beam ON
- ③ If you release the switch when it's in up position, the switch will return to middle.


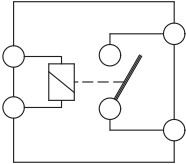
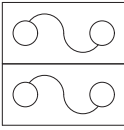
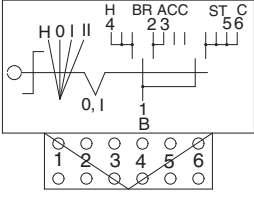
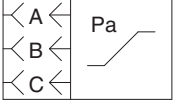
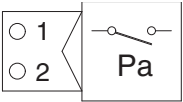


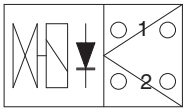
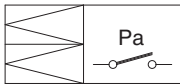

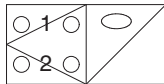
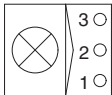
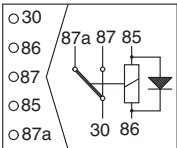
### (3) Turning switch

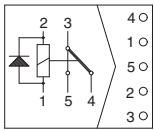
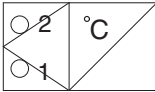
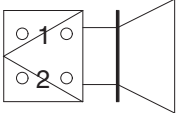
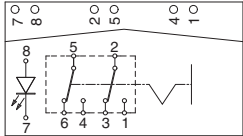
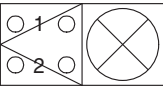
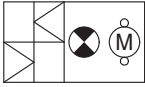
- ① This switch is used to warn or signal the turning direction of the machine to other vehicles or equipment.
- ② Push the lever up for turning left, pull the lever down for turning right.

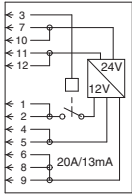
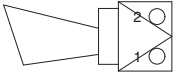
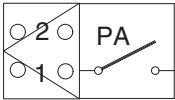
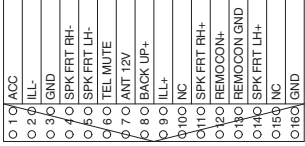
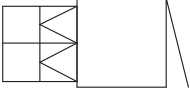
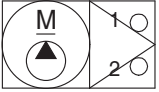


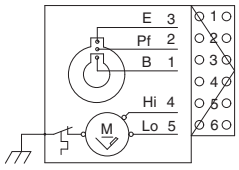
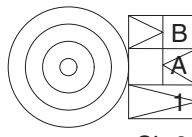
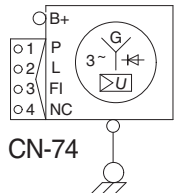
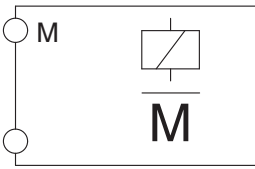
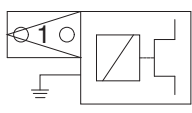
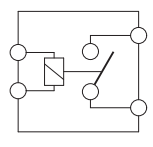
## GROUP 4 ELECTRICAL COMPONENT SPECIFICATION

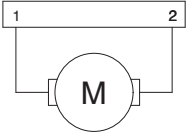
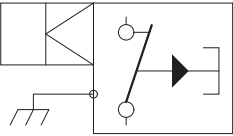
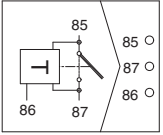
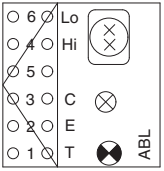
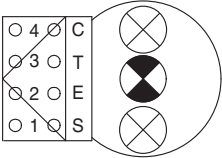
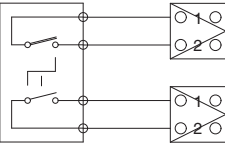
Part name	Symbol	Specifications	Check item
Battery		12V × 120Ah (2EA)	Gravity 1.280 over : over charged 1.280 ~ 1.250 : normal 1.250 below : discharged
Battery relay	 CR-1 CR-39	Rated load : 24V 100A (continuity) 1000A (30seconds)	Coil resistance broken : approx 50 Ω connected : ∞ Ω
Maxi fuse	 CN-351 (40A), CN-352 (80A)	24V	Resistance between ring terminal and each connector pin 0 Ω : normal
Start key	 CS-2	B-BR : 24V 1A B-ACC : 24V 10A B-ST : 20V 40A	Resistance between each pin Key off : ∞ Ω (for each pin) Key on : 0 Ω (for pin 1-2 & 1-3) Start : 0 Ω (for pin 1-5)
Pressure sensor	 CD-3 CD-26 CD-31 CD-39 CD-40 CD-58 CD-79 CD-80 CD-81	24V	Voltage A.C : 24V B.C : 1~5V
Pressure switch	 CD-48 CD-129	N.O Type	Resistance ∞ Ω : normal (open)

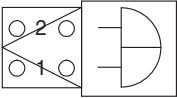
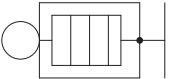
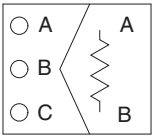
Part name	Symbol	Specifications	Check item
Pilot cut off, parking brake, attach lock, unlock solenoid	 CN-68 CN-177 CN-71 CN-178 CN-79	24V 1A	Resistance normal : 15~25 Ω
Air cleaner pressure switch	 CD-10	Max load : 6W N.O Type	Resistance ∞ Ω : normal (open)
Ride control valve / Fan sole- noid	 CN-136 CN-154 CN-155	24V 1.2A	※ Check LED lamp ※ Check resistance about 24 Ω
Fuel sender	 CD-2	-	Resistance at fuel levels full level : 200 Ω 9/12 level : 500 Ω 6/12 level : 800 Ω 3/12 level : 1100 Ω empty : 1300 Ω
Room lamp	 CL-1	24V 10W	Resistance normal : 1.2 Ω
Relay (5pin)	 CR-3 CR-5 CR-7 CR-30 CR-35 CR-36 CR-38 CR-40 CR-46 CR-55 CR-56 CR-63 CR-210 CR-211 CR-381	24V 20A	Resistance normal : about 160 Ω (for pin 85~86) 0 Ω (for pin 30~87) ∞ Ω (for pin 30~87)

Part name	Symbol	Specifications	Check item
Relay (5 pin)	 <p>CR-2 CR-4 CR-25 CR-26  CR-37 CR-58 CR-78 CR-115  CR-117 CR-136 CR-177 CR-178  CR-203 CR-302 CR-303 CR-304  CR-305 CR-306</p>	24V 20A	Resistance normal : about 160 Ω (for pin 1~2) 0 Ω (for pin 3~4) ∞ Ω (for pin 3~5)
Hydraulic, transmission temperature	 <p>CD-1 CD-49</p>	-	Resistance normal : ∞ Ω 105° C over : 0 Ω
Speaker	 <p>CN-123 (LH)  CN-124 (RH)</p>	4 Ω 20W	Resistance normal : 4 Ω
Switch (Locking type)	 <p>CS-4 CS-17  CS-75</p>	24V 8A	Resistance at switch off position ∞ Ω between pin 1-5 and 2-6 0 Ω between pin 5-7 and 6-8
Work lamp, Number plate lamp	 <p>CL-21 CL-32 CL-33  CL-35 CL-36 CL-42  CL-43 CL-45 CL-46</p>	Work lamp 24V 70W Number plate lamp 24V 10W	Resistance normal : 1.2 Ω
Beacon lamp	 <p>CL-117</p>	24V 70W (H1 TYPE)	Resistance normal : 1.1 Ω

Part name	Symbol	Specifications	Check item
DC/DC Converter	 CN-138	12V 3A	Resistance 8.8 Ω (for pin A-B) 7.7 Ω (for pin B-C)
Horn	 CN-120 CN-121	24V 2A	Operation by external power source - connct 24V power to (+) terminal - ground the (-) terminal
Receiver dryer	 CN-29	24V 2.5A	Resistance 0 Ω : $2.1 \pm 0.3 \sim 27 \pm 2 \text{kgf/cm}^2$ $\infty \Omega$ : $\sim 2.1 \pm 0.3, 27 \pm 2 \sim \text{kgf/cm}^2$
Radio & USB player	 CN-27	24V 20W+20W	Resistance Power ON : $4 \Omega + 4 \Omega$ (for pin 1-6, 4-8)
Back up buzzer	 CN-65	24V 0.5A 110dB	Resistance normal : 5.2 Ω
Washer pump	 CN-102 (FR) CN-103 (RR)	24V 2.5A	Resistance normal : 26.4 Ω (for pin1-2)

Part name	Symbol	Specifications	Check item
Wiper motor	 <p>CN-21 (FR) CN-203 (RR)</p>	<p>24V 1.5A 2-speed Auto parking</p>	-
Cigar lighter	 <p>CL-2</p>	<p>24V 5A 1.4W</p>	<p>Coil resistance normal : about 1M <math>\Omega</math></p>
Alternator	 <p>CN-74</p>	<p>Denso 24V 95A</p>	<p>Voltage normal : 24~28V</p>
Starter	 <p>CN-45</p>	<p>Denso PA90L (24V-7.8kW)</p>	<p>Operating or not</p>
Aircon compressor	 <p>CN-28</p>	<p>24V 79W</p>	<p>Resistance normal : 13.4 <math>\Omega</math></p>
Start relay	 <p>CR-23</p>	<p>24V 300A</p>	<p>Coil resistance normal : 1-2 <math>\Omega</math> Switch connection <math>\infty</math> <math>\Omega</math> at normal open position 0 <math>\Omega</math> when engaged</p>

Part name	Symbol	Specifications	Check item
Blower motor		24V 9.5A	Resistance at each switch position normal : 0.5-2 Ω
Door switch	 <p>CS-1</p>	24V 2W	Resistance normal : about 5M Ω
Flasher unit	 <p>CR-11</p>	24V 85 ~ 190 C/M 50dB	-
Head lamp	 <p>CL-3 CL-4</p>	24V 75W/70W (H4 TYPE) 24V 4W (T4W)	Resistance normal : a few Ω
Combi lamp (rear)	 <p>CL-15 CL-16</p>	24V 5W (R5W) 2 × 24V 21W (P21W)	-
Master switch	 <p>CS-74 CS-75</p>	Continuous capacity : 180Amp Push in capacity : 1000Amp	-

Part name	Symbol	Specifications	Check item
Warning buzzer	 <p>CN-26</p>	<p>24V 200mA  <math>90 \pm 5\text{dB}</math> ( l m)</p>	-
Preheater	 <p>CN-80</p>	<p>24V 200A</p>	<p>Resistance  <math>0.25 \sim 0.12 \Omega</math></p>
Resistor	 <p>R01-A1  R04-A2</p>	<p>4W</p>	<p>Resistance  A - B : <math>120 \Omega</math></p>

## GROUP 5 CONNECTORS

### 1. CONNECTOR DESTINATION

Connector number	Type	No. of pin	Destination	Connector part No.	
				Female	Male
CN-1	DEUTSCH	48	I/conn (Frame harness-Main harness)	DRB16-48SAE-L018	DRB12-48PAE-L018
CN-2	DEUTSCH	60	I/conn (Front harness-Main harness)	DRB12-60SBE-L018	DRB12-60PBE-L018
CN-3	DEUTSCH		Tool box EXT harness	DT06-6S	-
CN-4	DEUTSCH	60	I/conn (Engine harness-Main harness)	DRB16-60SAE-L018	DRB12-60PAE-L018
CN-5	DEUTSCH	60	I/conn (Front harness-Main harness)	DRB16-60SAE-L018	DRB12-60PAE-L018
CN-6	DEUTSCH	60	I/conn (Frame harness-Main harness)	DRB16-60SBE-L018	DRB12-60PBE-L018
CN-7	AMP	15	I/conn (Main harness-Cab harness)	2-85262-1	368301-1
CN-11	AMP	15	I/conn (Main harness-Aircon harness)	2-85262-1	368301-1
CN-12	AMP	15	I/conn (Front harness-Bottom harness)	2-85262-1	368301-1
CN-14	DEUTSCH	12	I/conn (Frame harness-Grill harness)	DT06-12S	DT04-12P
CN-16	KET	14	I/conn (RH console harness-Main harness)	MG651110	MG641113
CN-19	Econoseal J	6	I/conn (Emer steer harness-Frame harness)	S816-006002	S816-106602
CN-20	DEUTSCH	12	Aftertreatment harness	DT06-12S	-
CN-21	AMP	6	Front wiper motor	936257-2	-
CN-22	DEUTSCH	12	Aftertreatment harness	-	DT04-12P
CN-24	DEUTSCH	2	Grill harness	DT06-12S	-
CN-25	Molex	2	Horn	36825-0211	-
CN-27	MK II	16	Radio and USB player	PK145-16017	-
CN-27A	MK II	8	USB connector	174984-2	-
CN-31	DEUTSCH	3	Brake priority	DT06-3S	-
CN-36~39	-	-	Fuse box	21WD-12051	-
CN-45	Ring term	-	Starter	R14-12	ST 710246-2
CN-48	AMP	1	Hour meter	2-520193-2	-
CN-56	KUM	12	Cluster	KPK145-16017	-
CN-57	AMP	20	Monitor	174047-2	-
CN-58A	DEUTSCH	40	MCU	DRC26-40-SA	-
CN-58B	DEUTSCH	40	MCU	DRC26-40-SB	-
CN-64	MOLEX	4	Smart key	39012040	-
CN-65	DEUTSCH	2	Back up buzzer	DT06-2S	-
CN-68	DEUTSCH	2	Pilot cut off	DT06-2S	-
CN-71	DEUTSCH	2	Parking solenoid	DT06-2S	-
CN-72	DEUTSCH	2	Cowl open activator	DT06-2S	-
CN-74	PACKARD	4	Alternator	1218-6568	-
CN-79	DEUTSCH	2	Differential lock solenoid	-	DT06-2S-EP06
CN-79A	AMP	6	Differential lock solenoid	S816-106002	-
CN-80	-	1	Pre-heater	R14-6	-
CN-83	NMWP	2	Aircon fan	PB625-02027	-



Connector number	Type	No. of pin	Destination	Connector part No.	
				Female	Male
CN-96	AMP	4	I/conn (Frame harness-Fuel warmer harness)	-	2-967402-2
CN-96A	AMP	4	Fuel warmer	2-967325-2	-
CN-96B	AMP	3	Fuel warmer	368523-1	-
CN-100	DEUTSCH	3	Boom kick out	DT06-3S-EP06	-
CN-101	DEUTSCH	3	Bucket leveler	DT06-3S-EP06	-
CN-102	KET	2	Front washer tank	MG640605	-
CN-103	KET	2	Rear washer tank	MG640605	-
CN-110	-	6	RCV lever	1-480704-0	-
CN-112	-	16	Gear box	21L7-60290	-
CN-114	KET	6	Fingertip lever	DT06-6S	-
CN-115	DEUTSCH	6	Auto grease	DT06-6S-EP06	DT06-6P-E005
CN-120	MOLEX	2	Horn	26825-0211	-
CN-121	MOLEX	2	Horn	26825-0211	-
CN-122	DEUTSCH	9	Data link (machine)	HD10-9-96P	-
CN-123	KET	2	Speaker (LH)	7123-1520	-
CN-124	KET	2	Speaker (RH)	7123-1520	-
CN-125	DEUTSCH	12	Remote management	DT06-12S	DT04-12P
CN-126	DEUTSCH	9	Data link (engine)	HD10-9-96P	-
CN-127B	DEUTSCH	4	Service tool monitor	DT04-4P-E005	DT06-4S-EP06
CN-128	NMWP	1	Aircon compressor	PB625-01027	-
CN-129	KET	2	Receiver drier	MG640795	-
CN-134	AMP	6	Diagnostic (TCU)	1-480705-0	-
CN-136	TYCO	2	Ride control solenoid	85202-1	-
CN-136A	Econoseal J	2	I/conn (Ride control harness-Front harness)	S816-002002	S816-102002
CN-137	AMP	1	12V socket	174198-1	-
CN-138	AMP	12	DC/DC Converter	1-967622-1	-
CN-139	AMP	1	12V socket	174198-1	-
CN-140	AMP	3	I/conn (Frame harness-Quick coupler)	-	S816-103002
CN-141	TYCO	2	I/conn (Front harness-Ride control)	174352-2	-
CN-149	DEUTSCH	2	Mirror heat (LH)	DT06-2S	DT04-2P
CN-150	DEUTSCH	2	Mirror heat (RH)	DT06-2S	DT04-2P
CN-152	AMP	4	Proportional valve	2-967059-1	-
CN-154	DEUTSCH	2	Fan speed solenoid	DT06-2S	-
CN-155	DEUTSCH	2	Fan reverse solenoid	DT06-2S	-
CN-156	DEUTSCH	2	Seat heat (with switch)	DT06-2S	DT04-2P
CN-157	AMP	68	T/M control unit	962175	-
CN-158	PACKARD	4	Gear shift lever	-	1201-0974
CN-159	PACKARD	4	Gear shift lever	1201-5797	-
CN-160	CARLING	12	FNR joystick lever switch	LC3-01	-
CN-162	AMP	6	Pedal	174262-2	-

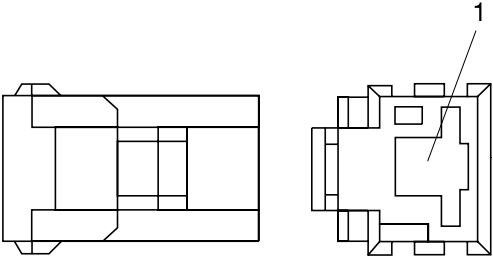
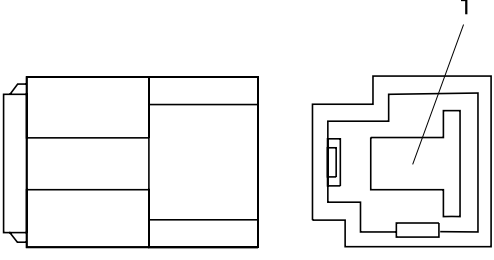
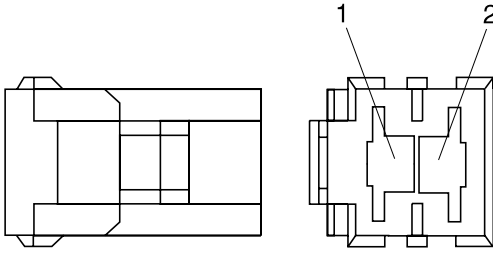
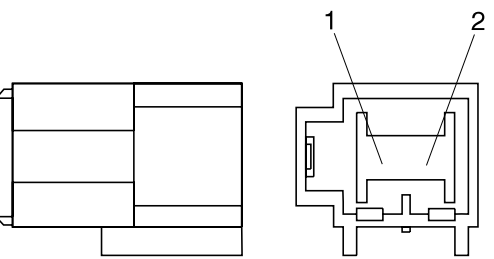
Connector number	Type	No. of pin	Destination	Connector part No.	
				Female	Male
CN-162	AMP	6	Pedal	174262-2	-
CN-163	AMP	2	ECO feeling switch	174352-2	-
CN-171	AMP	1	Service socket	174198-1	-
CN-177	DEUTSCH	2	Quick coupler unlock solenoid	-	DT06-2S-EP04
CN-177A	AMP	3	l/conn (Front harness-Quick coupler harness)	S816-003002	S816-103002
CN-177B	AMP	3	Quick coupler	S816-003002	S816-103002
CN-178	DEUTSCH	2	Quick coupler lock solenoid	-	DT06-2S-EP04
CN-196	PACKARD	4	Fuel heater	2-967325-3	-
CN-203	AMP	6	Rear wiper motor	936257-1	-
CN-246	KET	1	PTC power	-	MG620659-5
CN-249	DEUTSCH	4	Camera	DT06-4S	DT04-4P
CN-250	Econoseal J	4	Rear view camera	S816-004002	S816-104002
CN-252	TYCO	6	Differential lock	S816-006602	S816-106602
CN-271	DEUTSCH	3	AUX	DT06-3S	-
CN-351	MTA	2	Fuse maxi 40A	10.01005	07.00960
CN-352	MTA	2	Fuse maxi 80A	10.01005	07.00910
CN-399	AMP	4	DEF sensor	1-967325-1	-
CN-641	KET	3	Button start switch	-	MG641035
CN-J2	DELPHI	96	ECM	13964572	-
CN-J5	DEUTSCH	3	CAN I resister	DT04-3P-EP10	DT06-3S-E008
CN-J7A	AMP	4	Nox sensor engine inlet	2-1418390-1	-
CN-J7B	AMP	4	Nox sensor turbo pipe	1-1418390-1	-
CN-J10	AMP	4	SCR temp sensor	3-1418390-1	-
CN-J17	AMP	4	DOC temp sensor	4-1418390-1	-
CN-J26	BOSCH	12	DEF supply module	2-1703639-1	-
CN-J27	DEUTSCH	2	DEF heater valve	DT06-2S	-
CN-J28	BOSCH	2	Hose heating PR line	1-928-403-874	-
CN-J29	BOSCH	2	Hose heating back line	1-928-403-874	-
CN-J30	BOSCH	2	Hose heating suction line	1-928-403-874	-
CN-J31	BOSCH	2	DEF dosing inlet valve	1-928-403-874	-
CN-J78	DEUTSCH	2	Water in fuel	DT06-2S	-
Relay					
CR-1	Ring term	-	Battery relay	S820-104002	-
CR-2	AMP	5	Horn relay	VCFM-1002	-
CR-3	AMP	5	Front work lamp relay	VCFM-1002	-
CR-4	AMP	5	Wiper relay (Hi)	VCFM-1002	-
CR-5	HELLA	5	Safety relay	8JA003526-001	-
CR-7	AMP	5	Aircon relay	VCFM-1002	-
CR-11	250	-	Flasher unit	S810-003702	-
CR-23	Ring term	-	Start relay	ST 710289-2	ST 710384-2

Connector number	Type	No. of pin	Destination	Connector part No.	
				Female	Male
CR-24	Shur	1	Preheater relay	S822-014000	-
CR-25	AMP	5	Rear wiper relay	VCFM-1002	-
CR-26	AMP	5	Wiper relay (low)	VCFM-1002	-
CR-30	HELLA	5	ECM power relay	8JA003526-001	-
CR-36	AMP	5	Preheater relay	VCFM-1002	-
CR-39	DEUTSCH	2	Emergency steering pump relay	DT06-2S	DT06-2P
CR-40	KET	5	EHCU power relay	MG610047-1	-
CR-46	OMRON	5	Fuel warmer relay	8JA003526-001	-
CR-55	AMP	5	Rear work lamp relay	VCFM-1002	-
CR-56	KET	5	Mirror heat relay	MG610047-1	-
CR-58	AMP	5	Back up relay	VCFM-1002	-
CR-63	AMP	5	Stop lamp relay	VCFM-1002	-
Switch					
CS-1	AMP	1	Door switch	S822-014004	-
CS-2	SWP	6	Start key switch	S814-006000	-
CS-02A	AMP	6	BKCU	S814-006000	-
CS-02B	DEUTSCH	3	BKCU	DT06-3S-E008	-
CS-02C	KET	3	BKCU	MG651032	-
CS-4	VC2-01	10	Pilot cut off switch	21HN-56300	-
CS-11	SWP	8	Multi function switch	S814-008000	-
CS-12	SWP	6	Multi function switch	S814-006000	-
CS-17	VC2-01	10	Parking switch	21HN-56300	-
CS-41	VC2-01	10	Hazard switch	21HN-56300	-
CS-74	DEUTSCH	2	Master switch	DT06-2S	-
CS-75	VC2-01	10	Emergency steering test switch	21HN-56300	-
CS-85, 85L	KET	2	Workload switch	MG610070	MG620074
CS-86, 86L	KET	2	Kick down switch	MG610070	MG620074
CS-87, 87L	KET	2	Horn switch	MG610070	MG620074
CS-88, 88L	KET	2	FNR select switch	MG610070	MG620074
CS-105	VC2-01	10	DPF switch	21HN-56300	-
Light					
CL-1	KET	3	Room lamp	MG651032	-
CL-2	KET	3	Cigar lighter	S822-014000	S822-114000
CL-3	DEUTSCH	6	Head light (LH)	DT06-6S-EP06	-
CL-4	DEUTSCH	6	Head light (RH)	DT06-6S-EP06	-
CL-15	SWP	4	Combi lamp (RR, LH)	S814-004000	-
CL-16	SWP	4	Combi lamp (RR, RH)	S814-004000	-
CL-21	SWP	2	Numberplate lamp	S814-002000	-
CL-32	DEUTSCH	2	Rear work light (LH)	DT06-2S	DT04-2P
CL-33	DEUTSCH	2	Rear work light (RH)	DT06-2S	DT04-2P

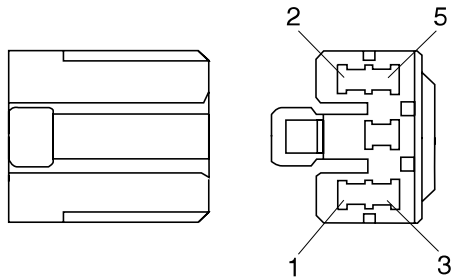
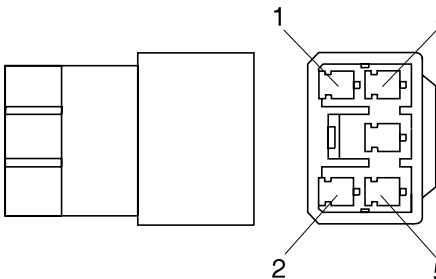
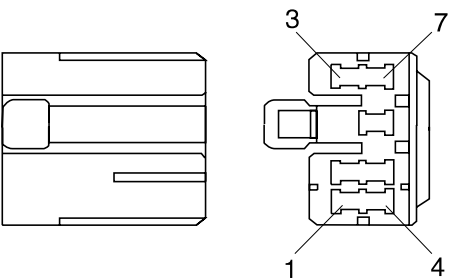
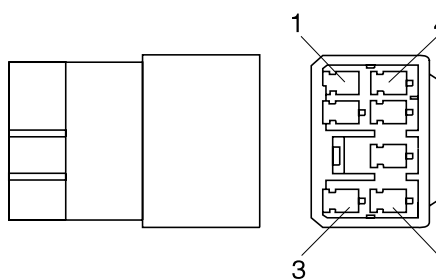
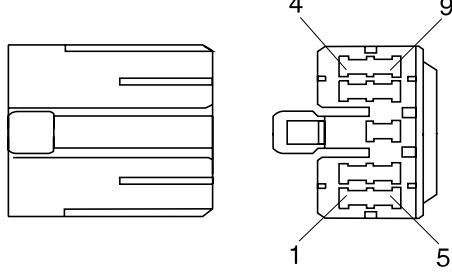
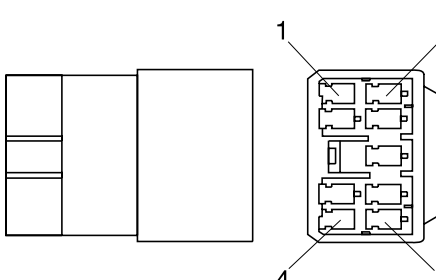
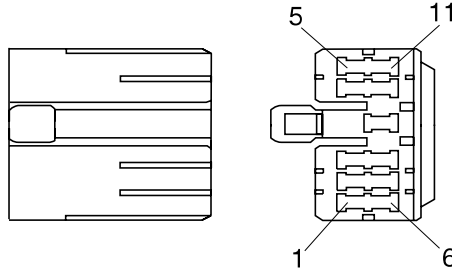
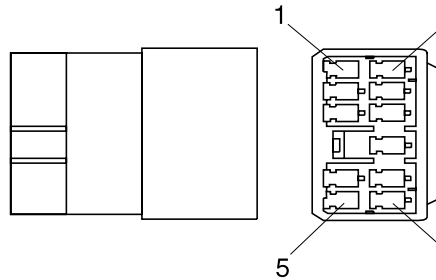
Connector number	Type	No. of pin	Destination	Connector part No.	
				Female	Male
CL-35	DEUTSCH	2	Rear work light (LH, opt)	DT06-2S	DT04-2P
CL-36	DEUTSCH	2	Rear work light (RH, opt)	DT06-2S	DT04-2P
CL-42	DEUTSCH	2	Rear work light (LH, opt)	DT06-2S	DT04-2P
CL-43	DEUTSCH	2	Rear work light (RH, opt)	DT06-2S	DT04-2P
CL-45	DEUTSCH	2	Work light (RH)	DT06-2S-EP06	-
CL-46	DEUTSCH	2	Work light (LH)	DT06-2S-EP06	-
CL-117	AMP	2	Beacon lamp	174198-2	-
Sensor, sender					
CD-1	AMP	2	Hydraulic oil temp sensor	85202-2	-
CD-2	YAZAKI	2	Fuel sensor	7123-7424	-
CD-3	DEUTSCH	3	Brake fail pressure switch	DT06-3S	-
CD-4	DEUTSCH	3	Stop lamp pressure switch	DT06-3S	-
CD-5	PACKARD	3	Clutch cut off pressure switch	-	1215793
CD-10	AMP	2	Air cleaner switch	85202-2	-
CD-17	AMP	2	Engine pick-up sensor	85202-1	-
CD-26	DEUTSCH	3	Parking pressure switch	DT06-3S	-
CD-27	AMP	2	Turbin pick up sensor	85202-1	-
CD-39	DEUTSCH	3	Main pump pressure switch	DT06-3S	-
CD-40	DEUTSCH	3	Steering pump pressure switch	DT06-3S	-
CD-43	AMP	2	Lock up proportional valve	282027	-
CD-45	DEUTSCH	2	WIF sensor	DT06-2S-EP06	-
CD-46	AMP	3	Output speed sensor	282087	-
CD-47	AMP	2	Inter gear pickup sensor	85202-5	-
CD-48	AMP	2	Oil filter restriction sensor	282080	-
CD-49	AMP	2	Converter temp sensor	85202-1	-
CD-73	AMP	2	Speed sensor	174352-2	-
CD-79	DEUTSCH	3	Diff lock feed back sensor	-	DT06-3S-EP06
CD-80	DEUTSCH	3	Boom positioner sensor (Boom up)	DT06-3S-EP06	-
CD-81	DEUTSCH	3	Boom positioner sensor (Boom down)	DT06-3S-EP06	-
CD-96	PACKARD	3	Coolant level sensor	12110293	-
CD-96A	DEUTSCH	3	Coolant level sensor (EXT harness)	DT06-4S	DT04-4P
CD-101	SUMITOMO	4	TBAT sensor	6098-0144	-
CD-112	-	16	Gear box	21L7-60290	-
Diode					
DO-02	-	2	Diode	S816-002002	21EA-50550
DO-03	-	2	Diode	S816-002002	21EA-50550
J					
JP-01	-	4	TBAP EXT	54200415	-

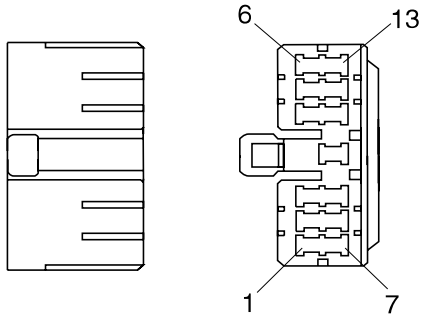
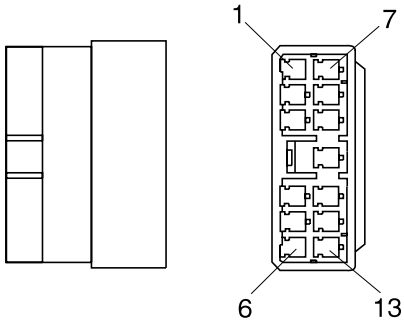
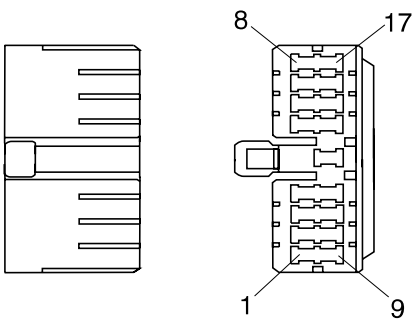
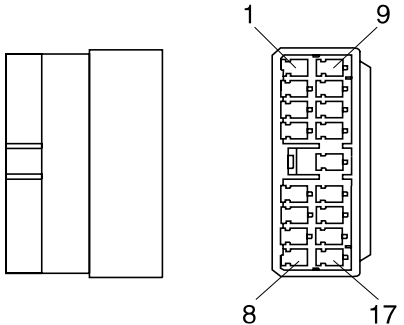
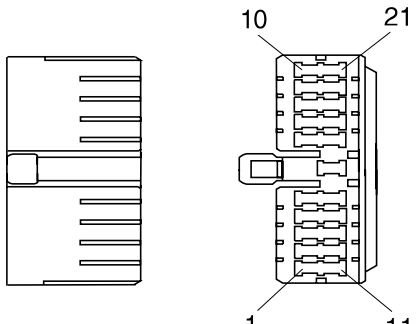
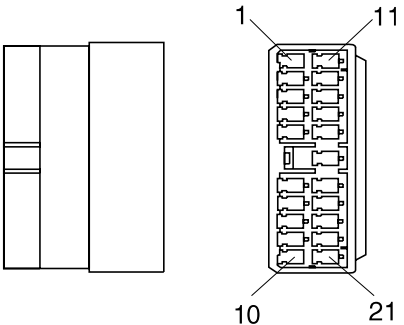
## 2. CONNECTION TABLE FOR CONNECTORS

### 1) 58-L TYPE CONNECTOR

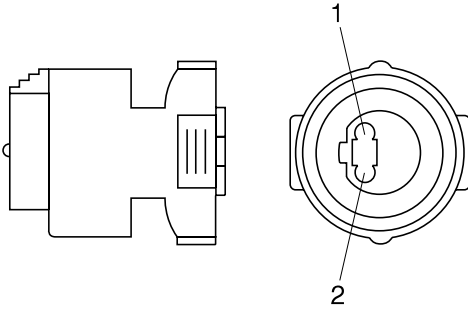
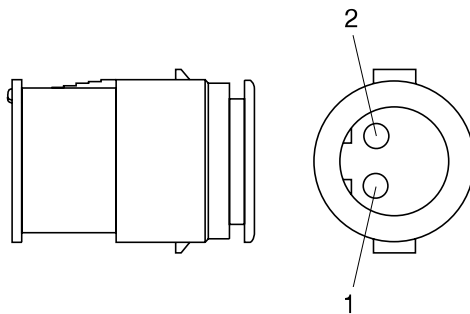
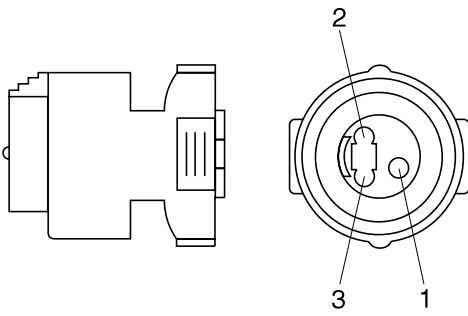
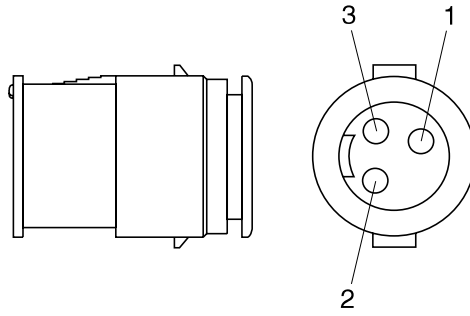
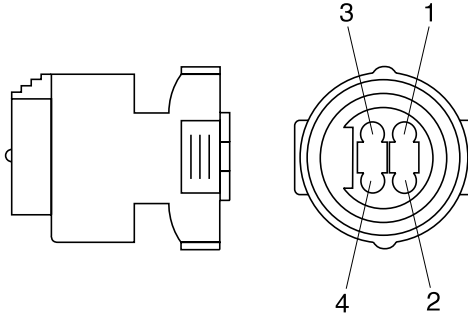
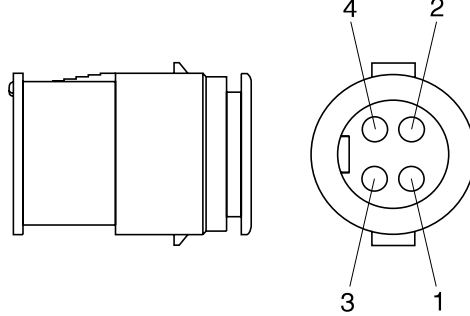
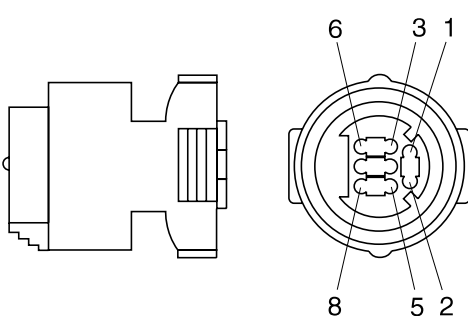
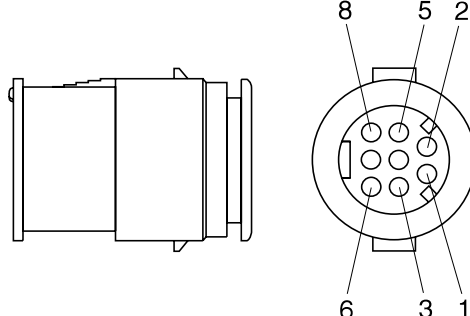
No. of pin	Receptacle connector (female)	Plug connector (male)
1	 <p data-bbox="699 730 842 757">S813-030100</p>	 <p data-bbox="1265 730 1409 757">S813-130100</p>
2	 <p data-bbox="699 1144 842 1171">S813-030200</p>	 <p data-bbox="1265 1144 1409 1171">S813-130200</p>

## 2) PA TYPE CONNECTOR

No. of pin	Receptacle connector (female)	Plug connector (male)
5	 <p data-bbox="683 672 826 698">S811-005002</p>	 <p data-bbox="1257 672 1401 698">S811-105002</p>
7	 <p data-bbox="683 1084 826 1111">S811-007002</p>	 <p data-bbox="1257 1084 1401 1111">S811-107002</p>
9	 <p data-bbox="683 1487 826 1514">S811-009002</p>	 <p data-bbox="1257 1487 1401 1514">S811-109002</p>
11	 <p data-bbox="683 1899 826 1926">S811-011002</p>	 <p data-bbox="1257 1899 1401 1926">S811-111002</p>

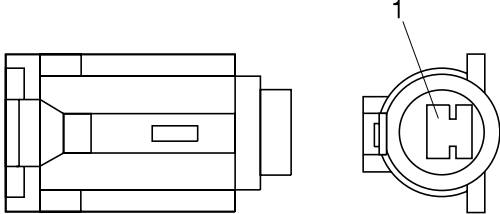
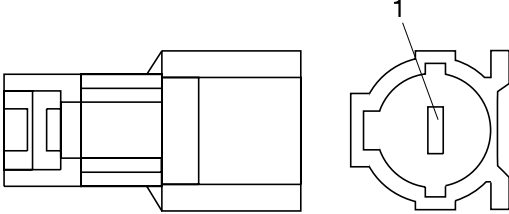
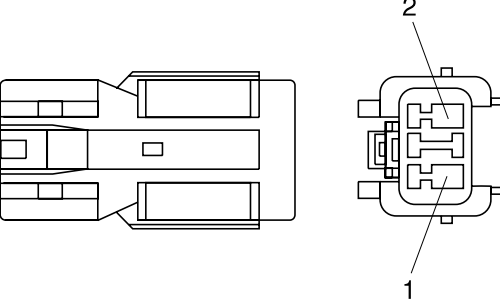
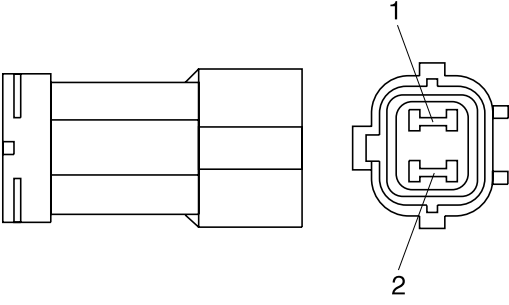
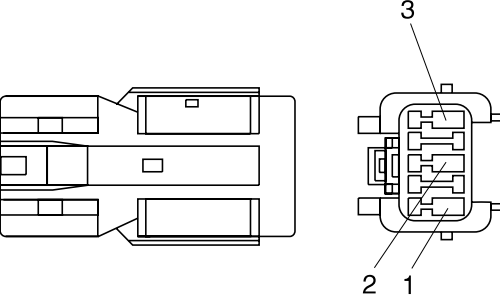
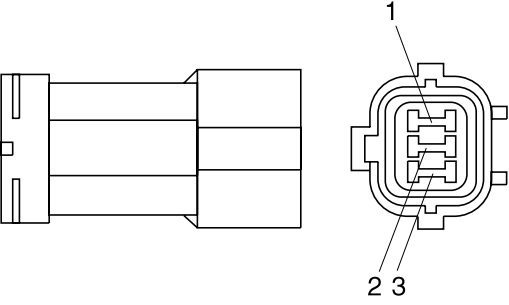
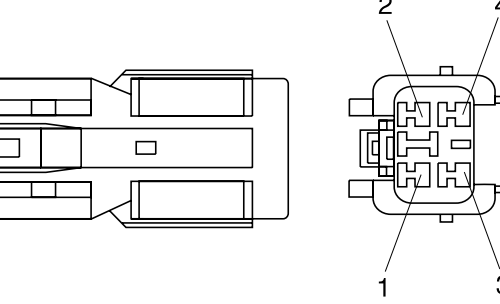
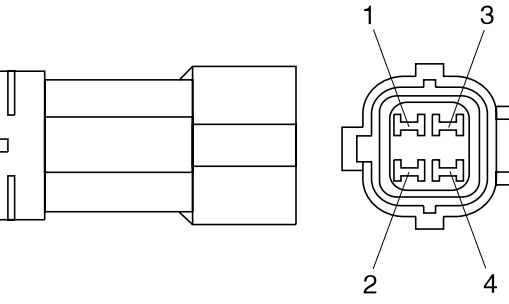
No. of pin	Receptacle connector (female)	Plug connector (male)
13	 <p data-bbox="691 633 842 663">S811-013002</p>	 <p data-bbox="1265 633 1417 663">S811-113002</p>
17	 <p data-bbox="691 1039 842 1068">S811-017002</p>	 <p data-bbox="1265 1039 1417 1068">S811-117002</p>
21	 <p data-bbox="691 1444 842 1473">S811-021002</p>	 <p data-bbox="1265 1444 1417 1473">S811-121002</p>

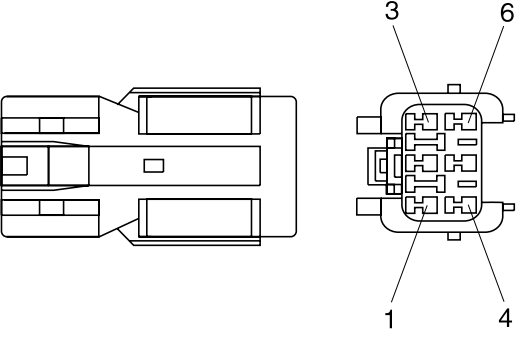
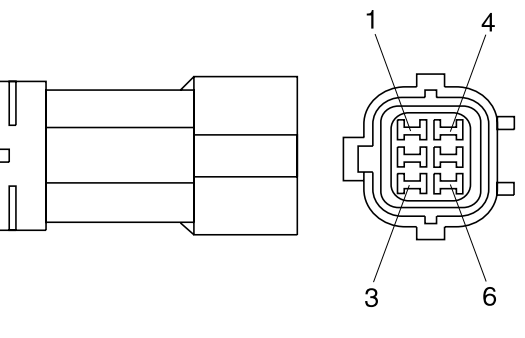
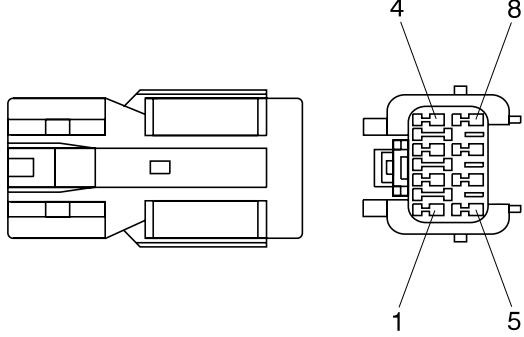
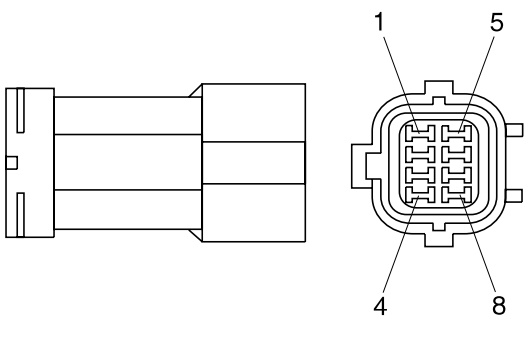
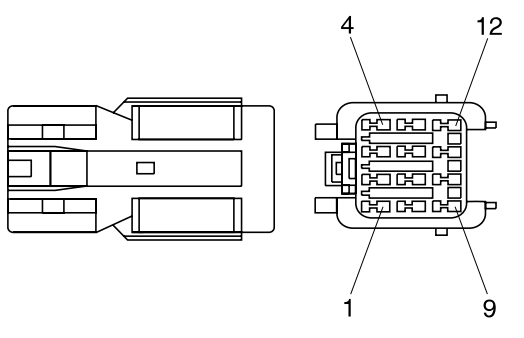
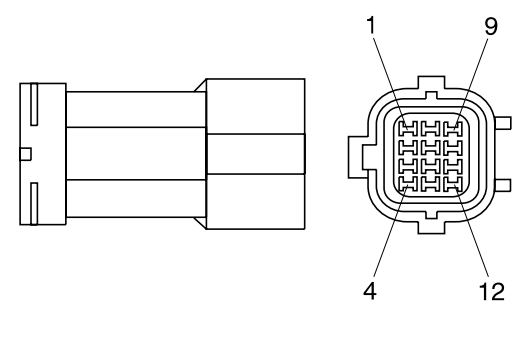
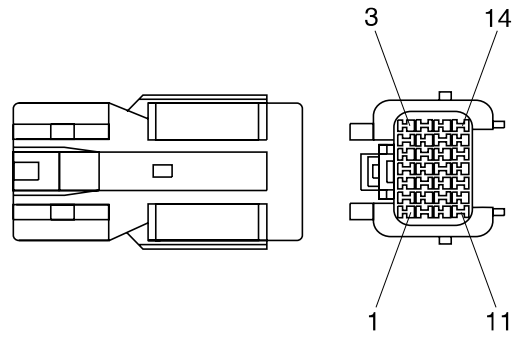
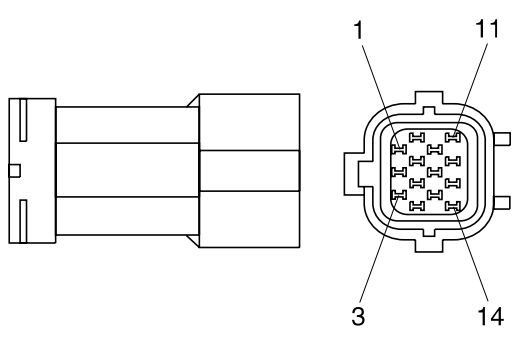
### 3) J TYPE CONNECTOR

No. of pin	Receptacle connector (female)	Plug connector (male)
2	 <p style="text-align: center;">S816-002001</p>	 <p style="text-align: center;">S816-102001</p>
3	 <p style="text-align: center;">S816-003001</p>	 <p style="text-align: center;">S816-103001</p>
4	 <p style="text-align: center;">S816-004001</p>	 <p style="text-align: center;">S816-104001</p>
8	 <p style="text-align: center;">S816-008001</p>	 <p style="text-align: center;">S816-108001</p>

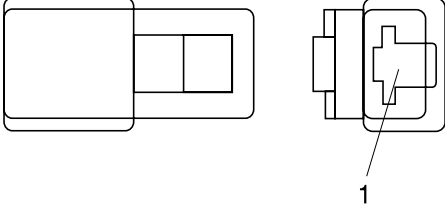
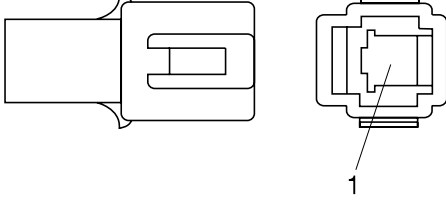
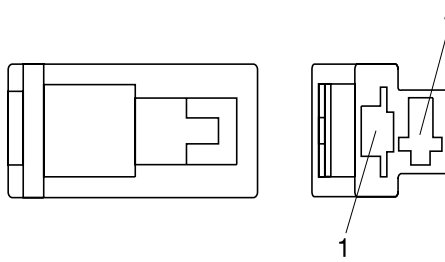
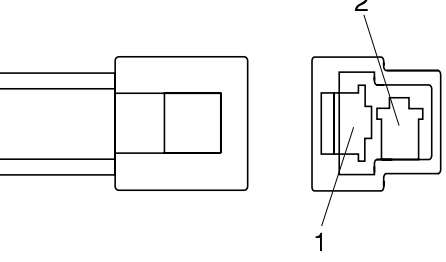
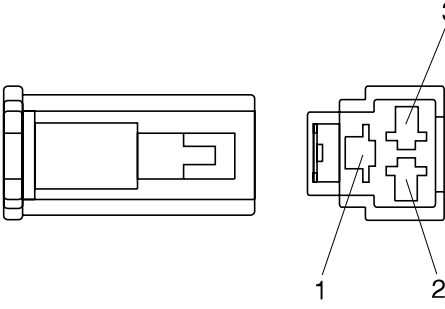
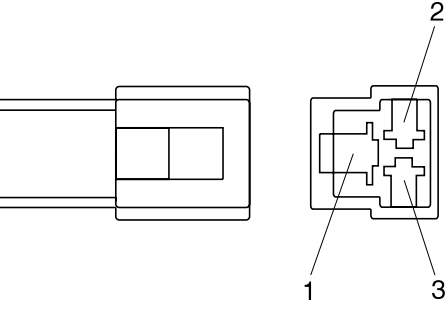
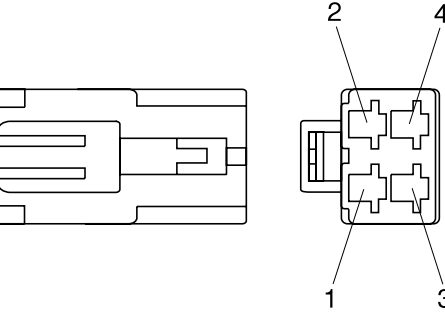
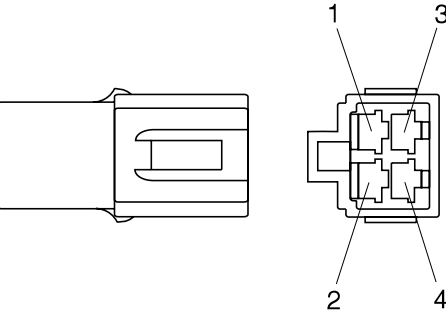


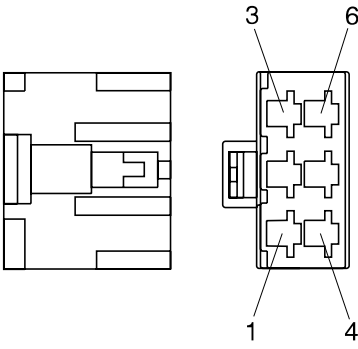
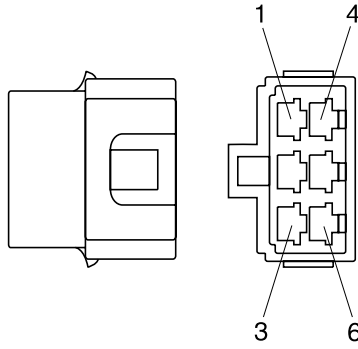
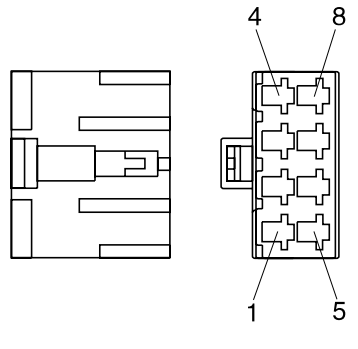
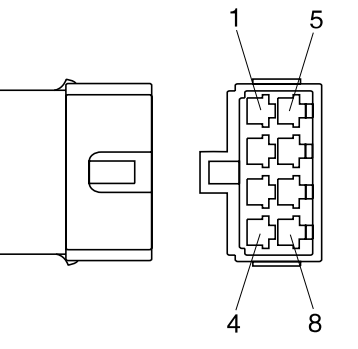
#### 4) SWP TYPE CONNECTOR

No. of pin	Receptacle connector (Female)	Plug connector (male)
1	 <p data-bbox="686 683 837 712">S814-001000</p>	 <p data-bbox="1236 683 1388 712">S814-101000</p>
2	 <p data-bbox="686 1086 837 1115">S814-002000</p>	 <p data-bbox="1236 1086 1388 1115">S814-102000</p>
3	 <p data-bbox="686 1489 837 1518">S814-003000</p>	 <p data-bbox="1236 1489 1388 1518">S814-103000</p>
4	 <p data-bbox="686 1892 837 1921">S814-004000</p>	 <p data-bbox="1236 1892 1388 1921">S814-104000</p>

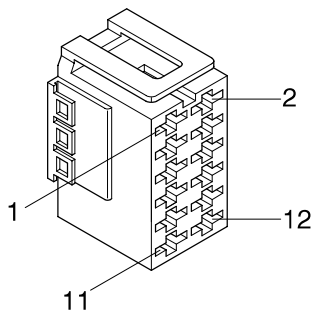
No. of pin	Receptacle connector (female)	Plug connector (male)
6	 <p data-bbox="686 627 837 660">S814-006000</p>	 <p data-bbox="1260 627 1412 660">S814-106000</p>
8	 <p data-bbox="686 1030 837 1064">S814-008000</p>	 <p data-bbox="1260 1030 1412 1064">S814-108000</p>
12	 <p data-bbox="686 1438 837 1471">S814-012000</p>	 <p data-bbox="1260 1438 1412 1471">S814-112000</p>
14	 <p data-bbox="686 1845 837 1879">S814-014000</p>	 <p data-bbox="1260 1845 1412 1879">S814-114000</p>

### 5) CN TYPE CONNECTOR

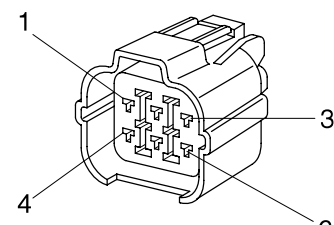
No. of pin	Receptacle connector (female)	Plug connector (male)
1	 <p data-bbox="687 678 839 707">S810-001202</p>	 <p data-bbox="1262 678 1414 707">S810-101202</p>
2	 <p data-bbox="687 1081 839 1111">S810-002202</p>	 <p data-bbox="1262 1081 1414 1111">S810-102202</p>
3	 <p data-bbox="687 1496 839 1525">S810-003202</p>	 <p data-bbox="1262 1496 1414 1525">S810-103202</p>
4	 <p data-bbox="687 1906 839 1935">S810-004202</p>	 <p data-bbox="1262 1906 1414 1935">S810-104202</p>

No. of pin	Receptacle connector (female)	Plug connector (male)
6	 <p data-bbox="686 638 837 672">S810-006202</p>	 <p data-bbox="1244 638 1396 672">S810-106202</p>
8	 <p data-bbox="686 1041 837 1075">S810-008202</p>	 <p data-bbox="1244 1041 1396 1075">S810-108202</p>

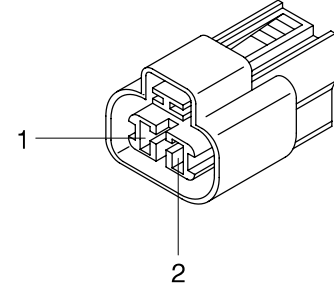
**6) ITT SWF CONNECTOR**

No. of pin	Receptacle connector (female)	Plug connector (male)
10	 <p style="text-align: right;">SWF589790</p>	

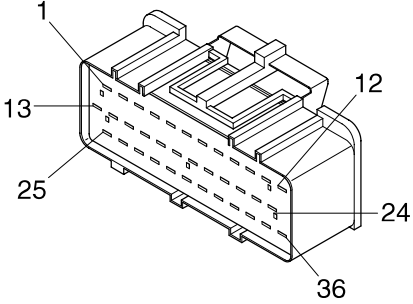
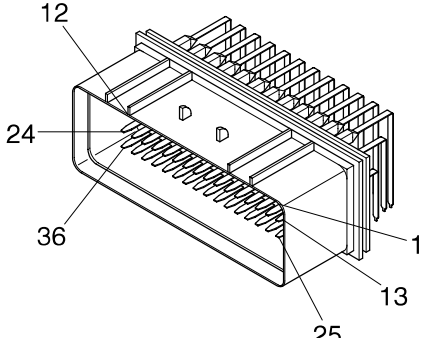
**7) HW090 SEALED CONNECTOR**

No. of pin	Receptacle connector (female)	Plug connector (male)
6	 <p style="text-align: right;">6189-0133</p>	

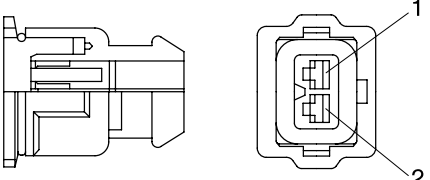
**8) MWP02F-B CONNECTOR**

No. of pin	Receptacle connector (female)	Plug connector (male)
2	 <p style="text-align: right;">PH805-02028</p>	

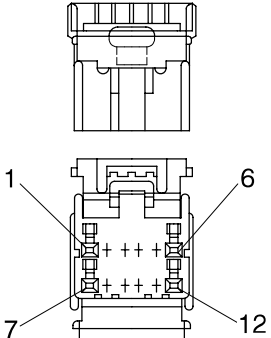
### 9) AMP ECONOSEAL CONNECTOR

No. of pin	Receptacle connector (female)	Plug connector (male)
36	 <p style="text-align: right;">344111-1</p>	 <p style="text-align: right;">344108-1</p>

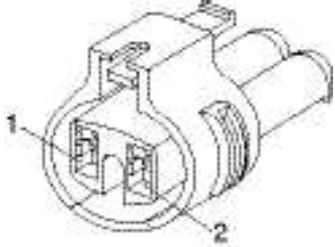
### 10) AMP TIMER CONNECTOR

No. of pin	Receptacle connector (female)	Plug connector (male)
2	 <p style="text-align: right;">85202-1</p>	

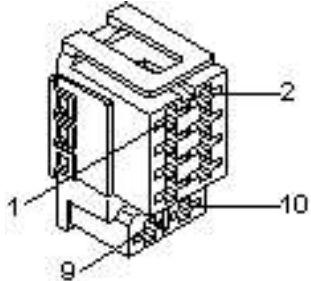
### 11) AMP 040 MULTILOCK CONNECTOR

No. of pin	Receptacle connector (female)	Plug connector (male)
12	 <p style="text-align: right;">174045-2</p>	

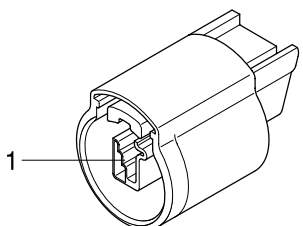
### 12) KET 090 WP CONNECTORS

No. of pin	Receptacle connector (female)	Plug connector (male)
2	 <p data-bbox="710 683 837 705">MG640795</p>	

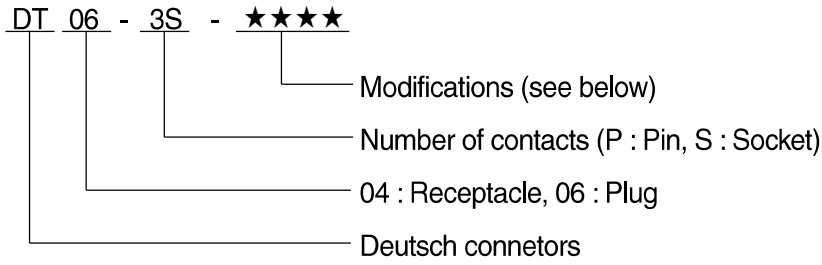
### 13) ITT SWF CONNECTOR

No. of pin	Receptacle connector (female)	Plug connector (male)
10	 <p data-bbox="694 1288 837 1310">SWF593757</p>	

### 14) MWP NMWP CONNECTOR

No. of pin	Receptacle connector (female)	Plug connector (male)
1	 <p data-bbox="686 1892 837 1915">NMWP01F-B</p>	

### 15) DEUTSCH DT CONNECTORS



※ Modification

E003 : Standard end cap - gray

E004 : Color of connector to be black

E005 : Combination - E004 & E003

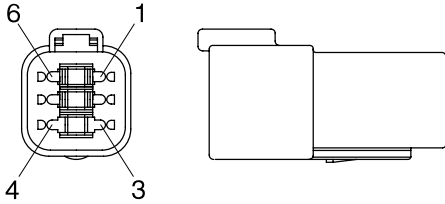
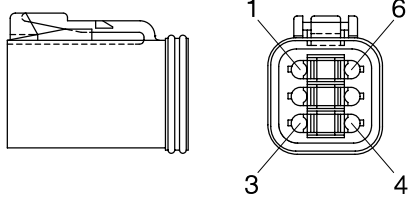
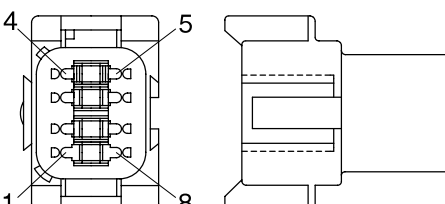
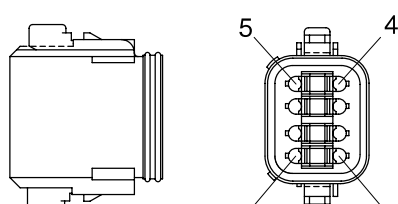
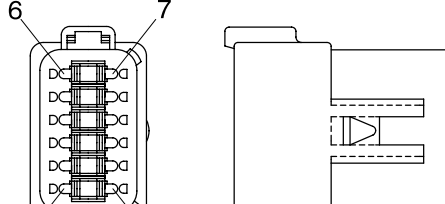
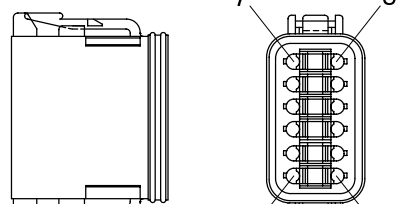
EP04 : End cap

EP06 : Combination P012 & EP04

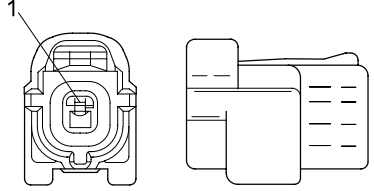
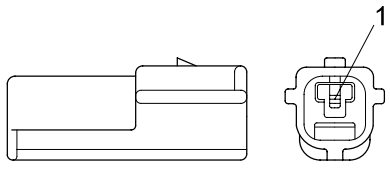
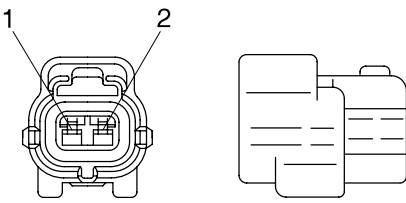
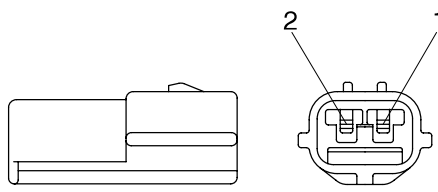
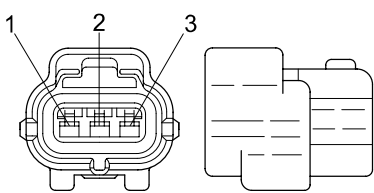
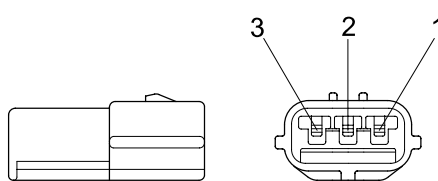
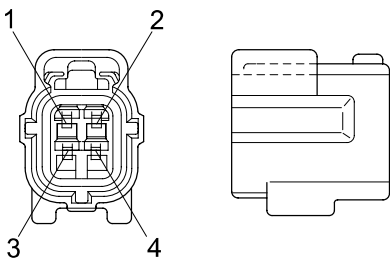
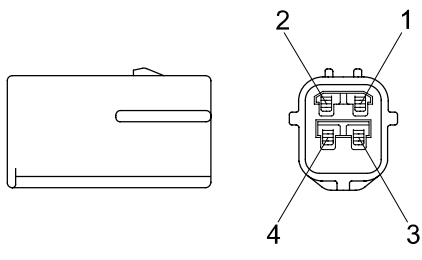
P012 : Front seal enhancement - connectors color to black for 2, 3, 4 & 6pin

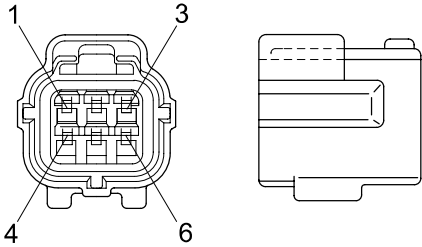
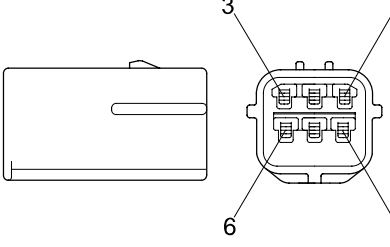
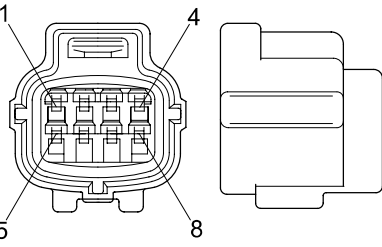
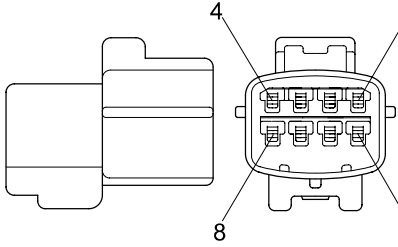
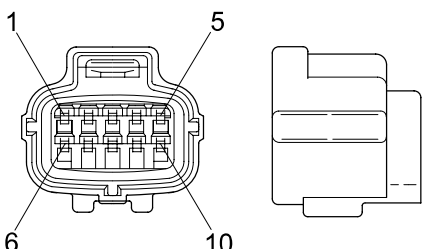
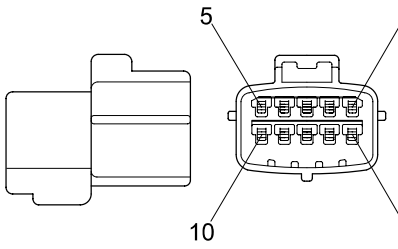
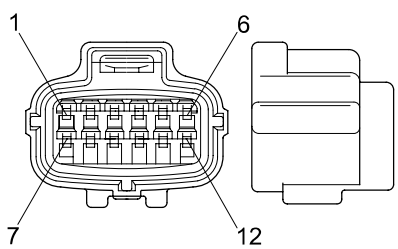
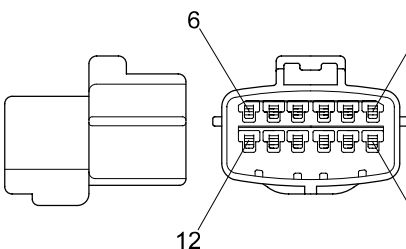
No. of pin	Receptacle connector (female)	Plug connector (male)
2	<p style="text-align: right;">DT06-2S</p>	<p style="text-align: right;">DT04-2P</p>
3	<p style="text-align: right;">DT06-3S</p>	<p style="text-align: right;">DT04-3P</p>
4	<p style="text-align: right;">DT06-4S</p>	<p style="text-align: right;">DT04-4P</p>

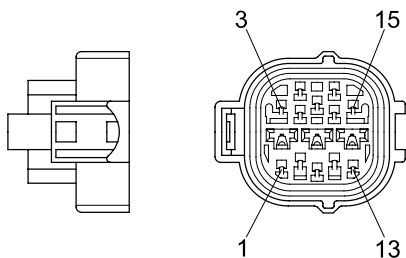
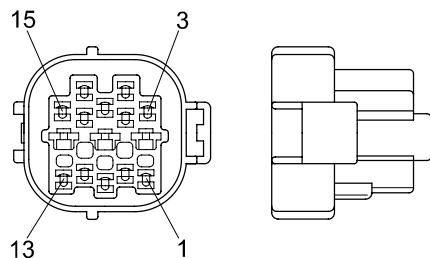


No. of pin	Receptacle connector (female)	Plug connector (male)
6	 <p style="text-align: right;">DT06-6S</p>	 <p style="text-align: right;">DT04-6P</p>
8	 <p style="text-align: right;">DT06-8S</p>	 <p style="text-align: right;">DT04-8P</p>
12	 <p style="text-align: right;">DT06-12S</p>	 <p style="text-align: right;">DT04-12P</p>

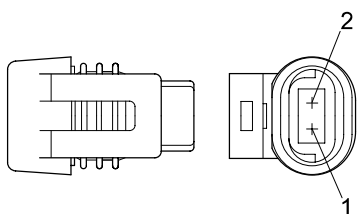
### 16) ECONOSEAL J TYPE CONNECTORS

No. of pin	Receptacle connector (female)	Plug connector (male)
1	 <p style="text-align: right;">S816-001002</p>	 <p style="text-align: left;">S816-101002</p>
2	 <p style="text-align: right;">S816-002002</p>	 <p style="text-align: left;">S816-102002</p>
3	 <p style="text-align: right;">S816-003002</p>	 <p style="text-align: left;">S816-103002</p>
4	 <p style="text-align: right;">S816-004002</p>	 <p style="text-align: left;">S816-104002</p>

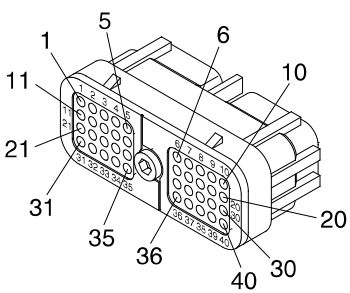
No. of pin	Receptacle connector (female)	Plug connector (male)
6	 <p data-bbox="686 638 837 672">S816-006002</p>	 <p data-bbox="1244 638 1396 672">S816-106002</p>
8	 <p data-bbox="686 1041 837 1075">S816-008002</p>	 <p data-bbox="1244 1041 1396 1075">S816-108002</p>
10	 <p data-bbox="686 1444 837 1478">S816-010002</p>	 <p data-bbox="1244 1444 1396 1478">S816-110002</p>
12	 <p data-bbox="686 1848 837 1881">S816-012002</p>	 <p data-bbox="1244 1848 1396 1881">S816-112002</p>

No. of pin	Receptacle connector (female)	Plug connector (male)
15	 <p style="text-align: right;">368301-1</p>	 <p style="text-align: right;">2-85262-1</p>

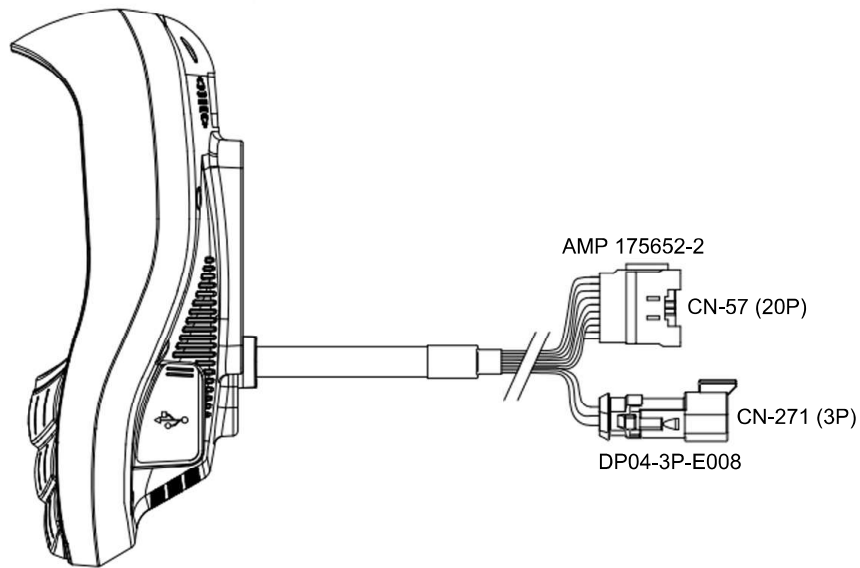
### 17) METRI-PACK TYPE CONNECTOR

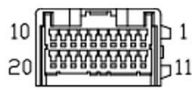
No. of pin	Receptacle connector (female)	Plug connector (male)
2	 <p style="text-align: right;">12040753</p>	

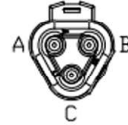
### 18) DEUTSCH MCU CONNECTOR

No. of pin	Receptacle connector (Female)	Plug connector (Male)
40	 <p style="text-align: right;">DRC26-40SA/B/C</p>	

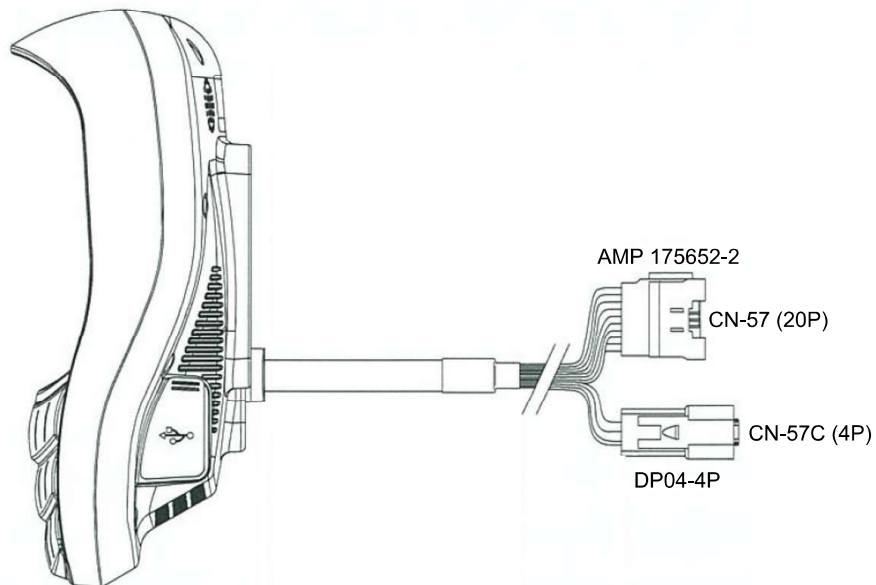
19) MONITOR CONNECTOR (21WD-11100, 21WD-11101, 21WD-11102)

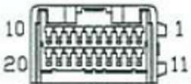


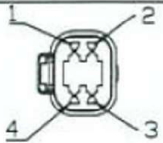
			
PART NO. : AMP 175652-2			
NO	PIN NAME	NO	PIN NAME
1	IG 24V	11	GND
2	BATTERY 24V	12	GND
3	BATTERY 24V	13	CAN1 H
4	CAMERA CH0	14	CAN2 L
5	CAMERA CH0 SIDE	15	CAN2 H
6	6.5V OUTPUT	16	CAN2 SHIELD
7	AVX LEFT	17	CAMERA SHIELD
8	AVX RIGHT	18	CAN1 LOW
9	CAMERA CH1	19	GND
10	CAMERA CH2	20	CAMERA CH3

			
PART NO. : DP04-3P-E008			
NO	PIN NAME	NO	PIN NAME
A	AUX GND	C	AUX RIGHT
B	AUX LEFT		

# MONITOR CONNECTOR (21WD-11103, 21WD-11104)



			
PART NO. : AMP 175652-2			
NO	PIN NAME	NO	PIN NAME
1	IG 24V	11	GND
2	BATTERY 24V	12	GND
3	BATTERY 24V	13	CAN1 H
4	CAMERA CH0	14	CAN2 L
5	CAMERA CH3 DIFF-	15	CAN2 H
6	6.5V OUTPUT	16	CAN2 SHIELD
7	N.C	17	CAMERA SHIELD
8	N.C	18	CAN1 L
9	CAMERA CH1	19	N.C
10	CAMERA CH2	20	CAMERA CH3 DIFF+

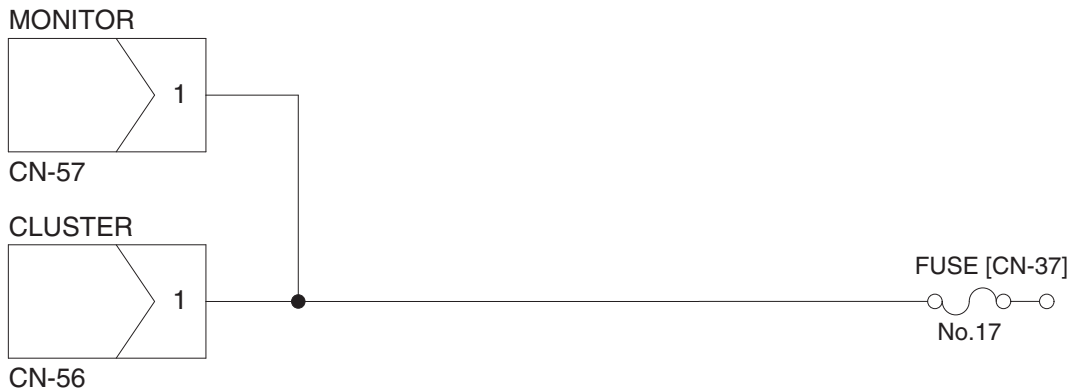
			
PART NO. : DT04-4P			
NO	PIN NAME	NO	PIN NAME
1	CAM VCC	3	CAM CH3 +
2	CAM GND	4	CAM CH3 -

## GROUP 6 TROUBLESHOOTING

### 1. WHEN STARTING SWITCH IS TURNED ON, CLUSTER AND MONITOR LAMP DOES NOT LIGHT UP

- Before carrying out below procedure, check all the related connectors are properly inserted and the fuse No.17 is not blown out and ON/OFF of bulb.
- After checking, connect the disconnected connectors again immediately unless otherwise specified.

	Cause	Remedy
Check voltage between CN-56 (1), CN-57(1) and chassis	Defective cluster	Replace
	Defective monitor	Replace
	Disconnection in wiring harness or poor contact between CN-56 (1), CN-57 (1) and fuse No. 17	Repair or replace (after clean)



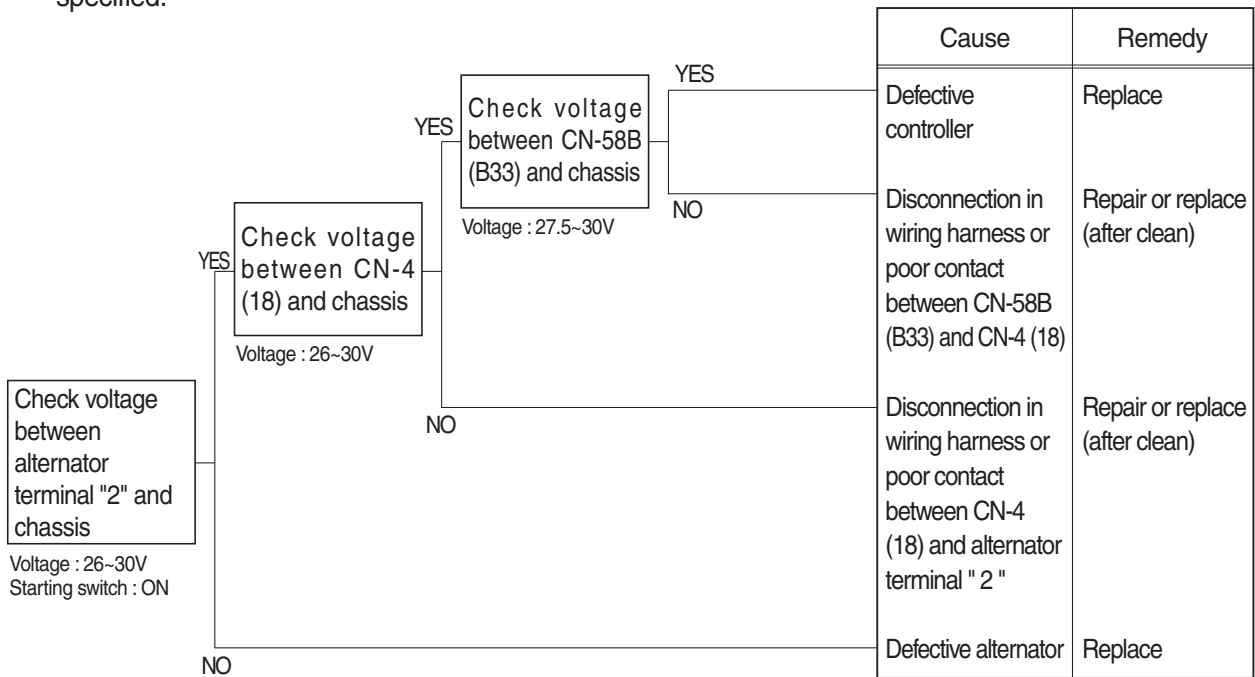
Check voltage

YES	20 ~ 30 V
NO	0 V

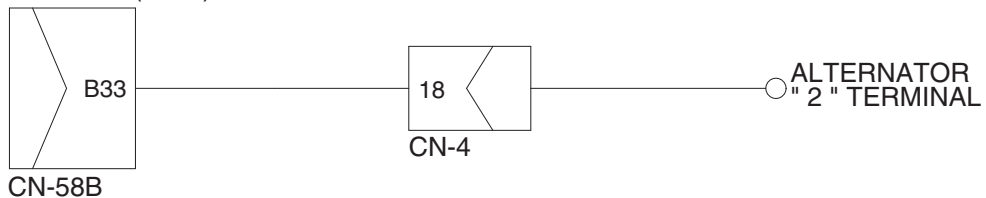
760F7EL24

2.  WHEN BATTERY LAMP LIGHTS UP (engine is started)

- Before carrying out below procedure, check all the related connectors are properly inserted.
- After checking, connect the disconnected connectors again immediately unless otherwise specified.



CONTROLLER(MCU)



Check valtage

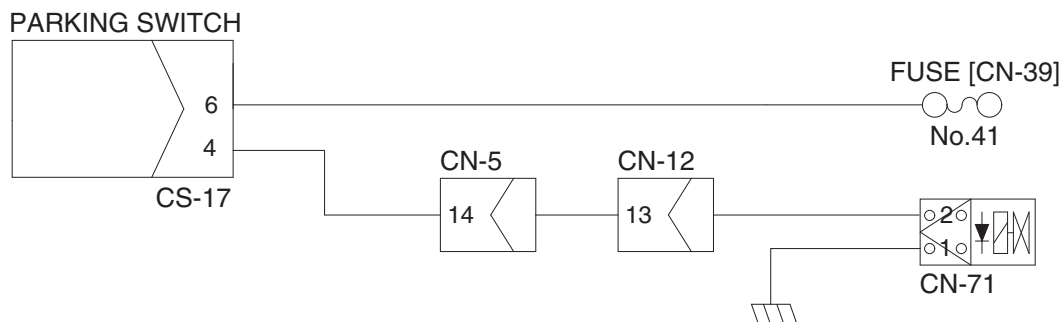
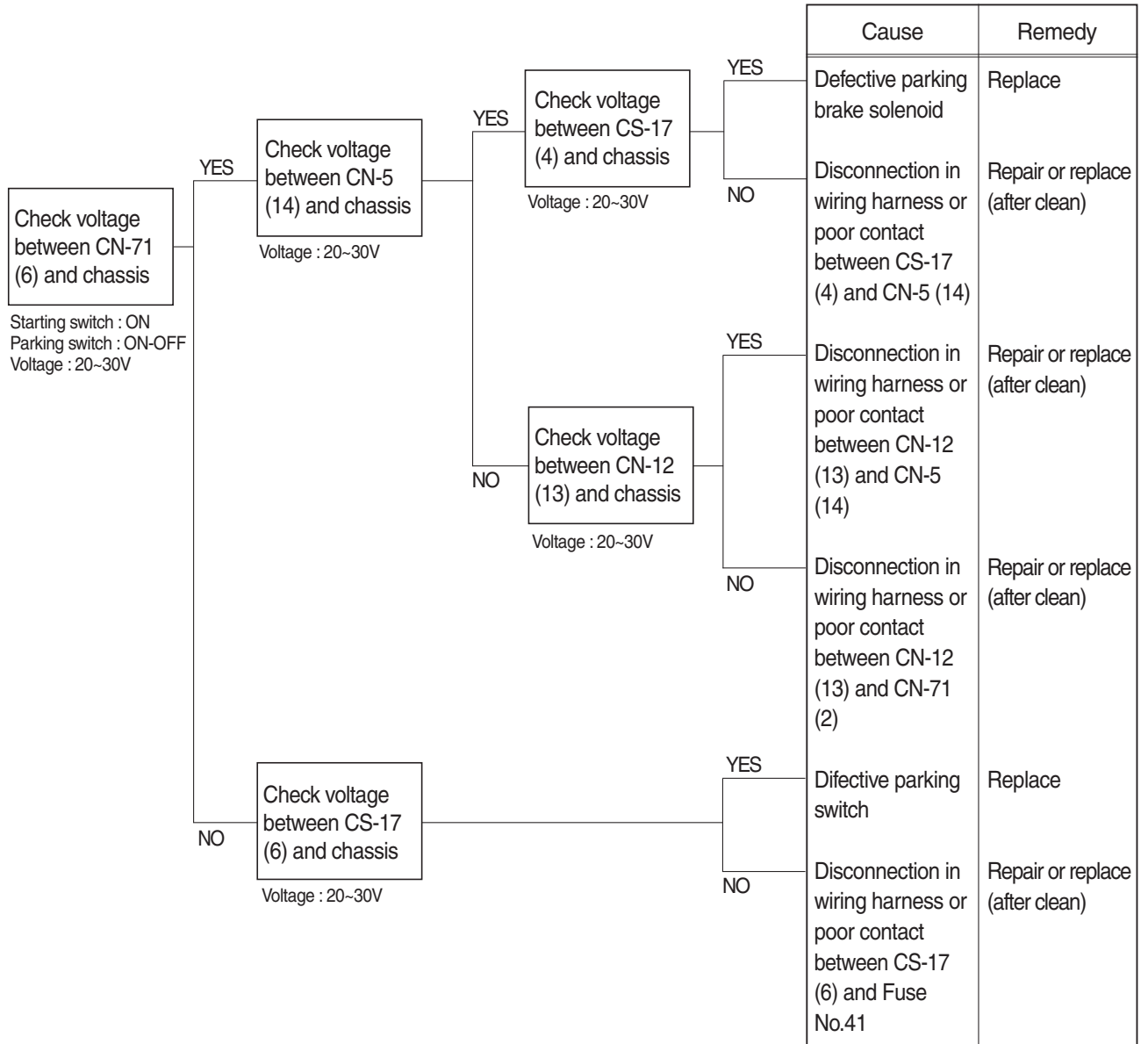
YES	20 ~ 30 V
NO	0 V

760F7EL38



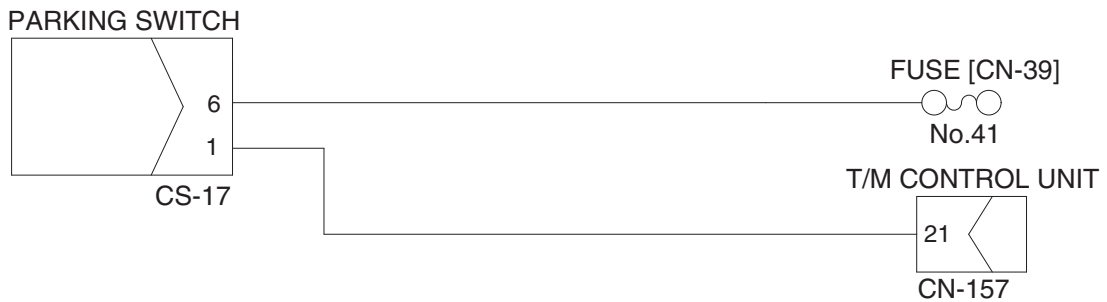
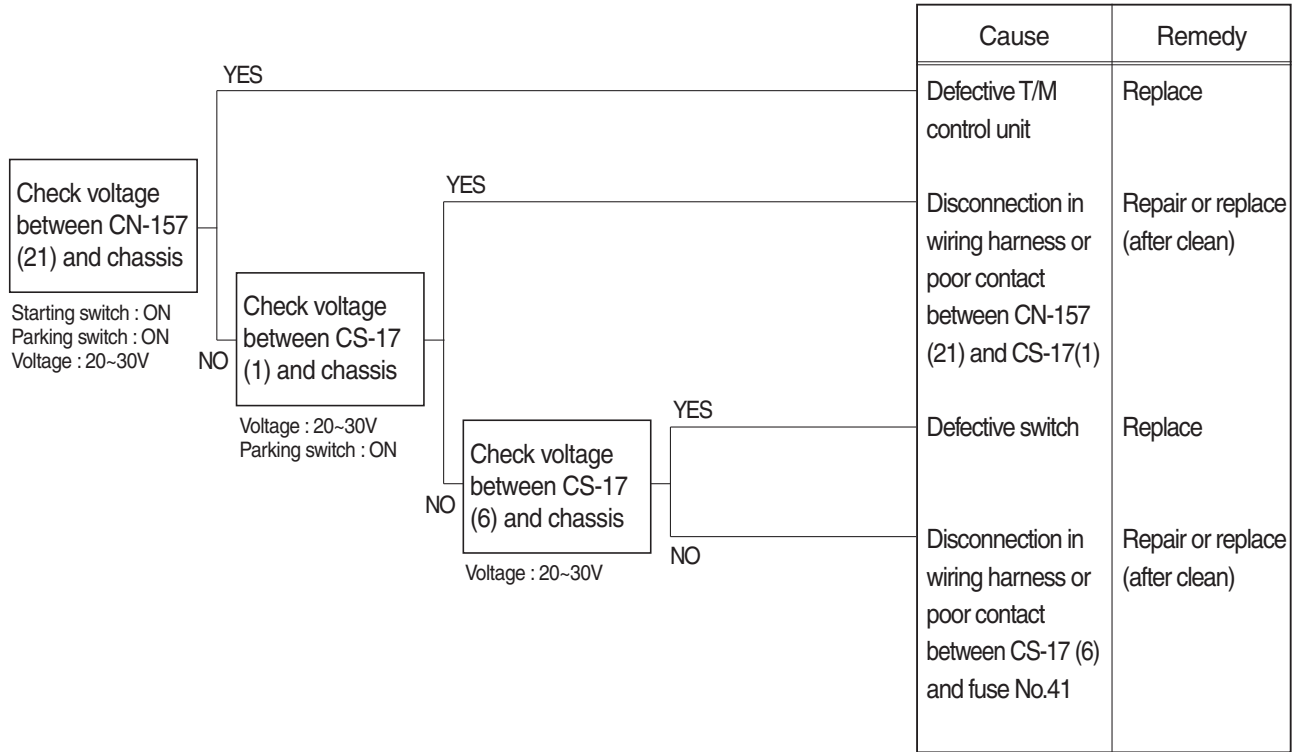
### 3. WHEN PARKING SOLENOID DOES NOT WORK

- Before carrying out below procedure, check all the related connectors are properly inserted and the fuse No.41 is not blown out.
- After checking, connect the disconnected connectors again immediately unless otherwise specified.



#### 4. TRANSMISSION IS NOT RETURNED TO NEUTRAL WHEN PARKING BRAKE IS APPLIED

- Before carrying out below procedure, check all the related connectors are properly inserted and the fuse No.15 (transmission control unit) and No.41 are not blown out.
- After checking, connect the disconnected connectors again immediately unless otherwise specified.



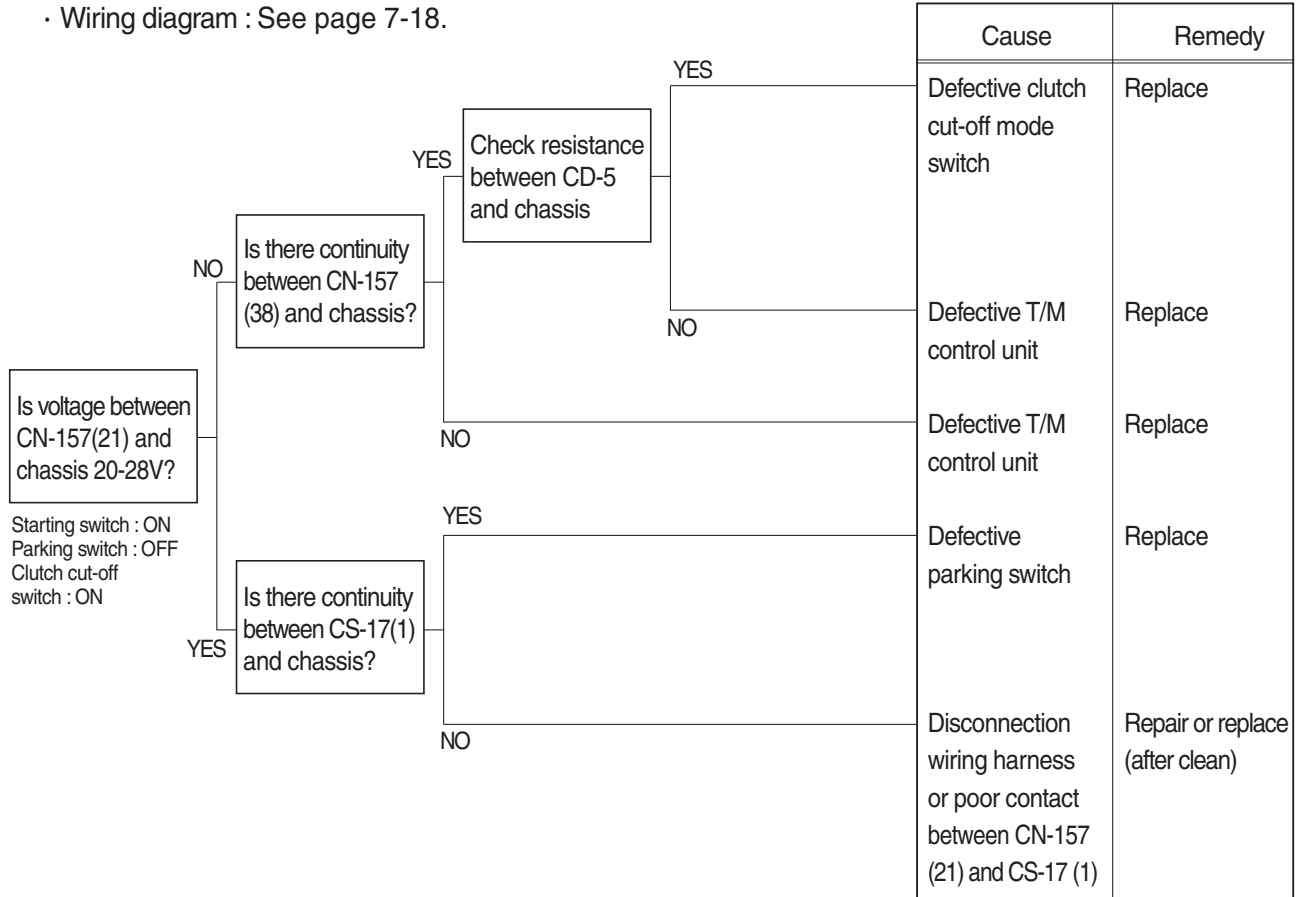
Check resistance

YES	MAX 1 Ω
NO	MIN 1M Ω

740F7EL40

## 5. MACHINE DOES NOT TRAVEL

- Before carrying out below procedure, check all the related connectors are properly inserted and the fuse No.15 (transmission control unit) is not blown out.
- After checking, connect the disconnected connectors again immediately unless otherwise specified.
- Wiring diagram : See page 7-18.

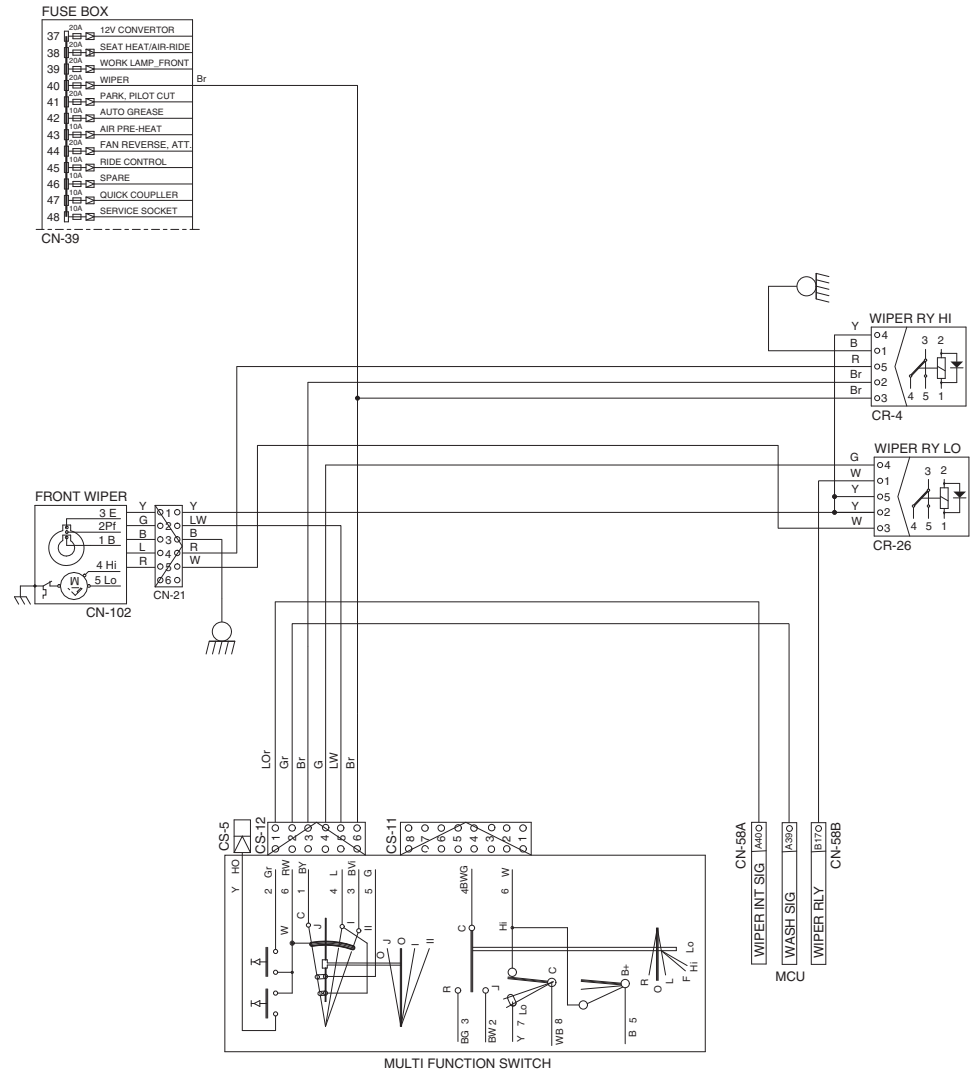
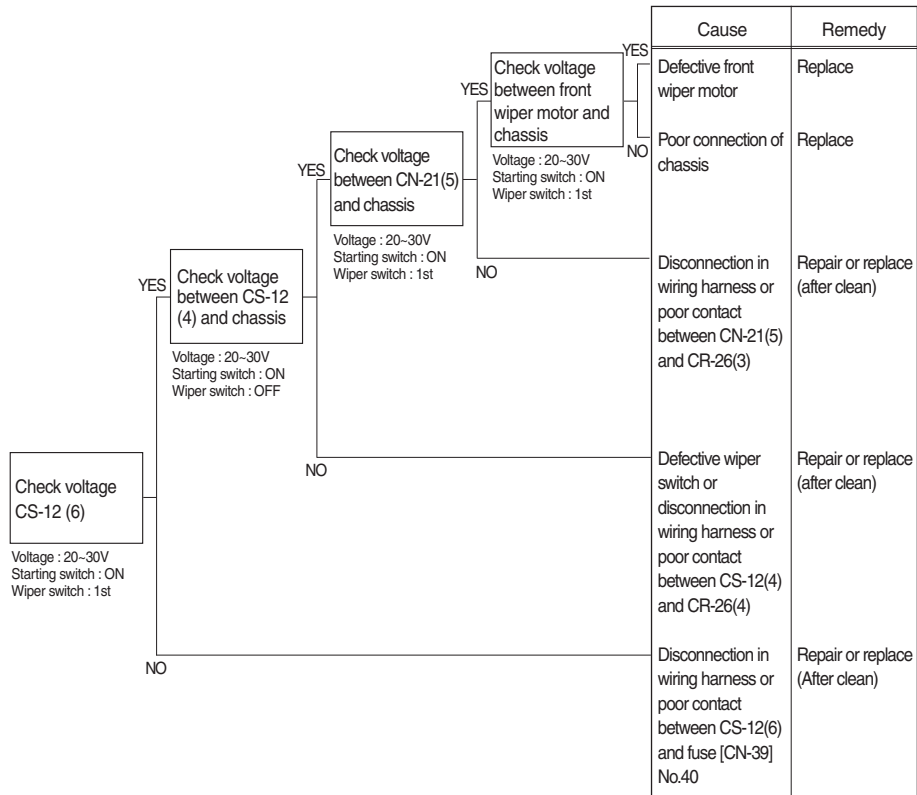


### Check resistance

YES	MAX 1 $\Omega$
NO	MIN 1M $\Omega$

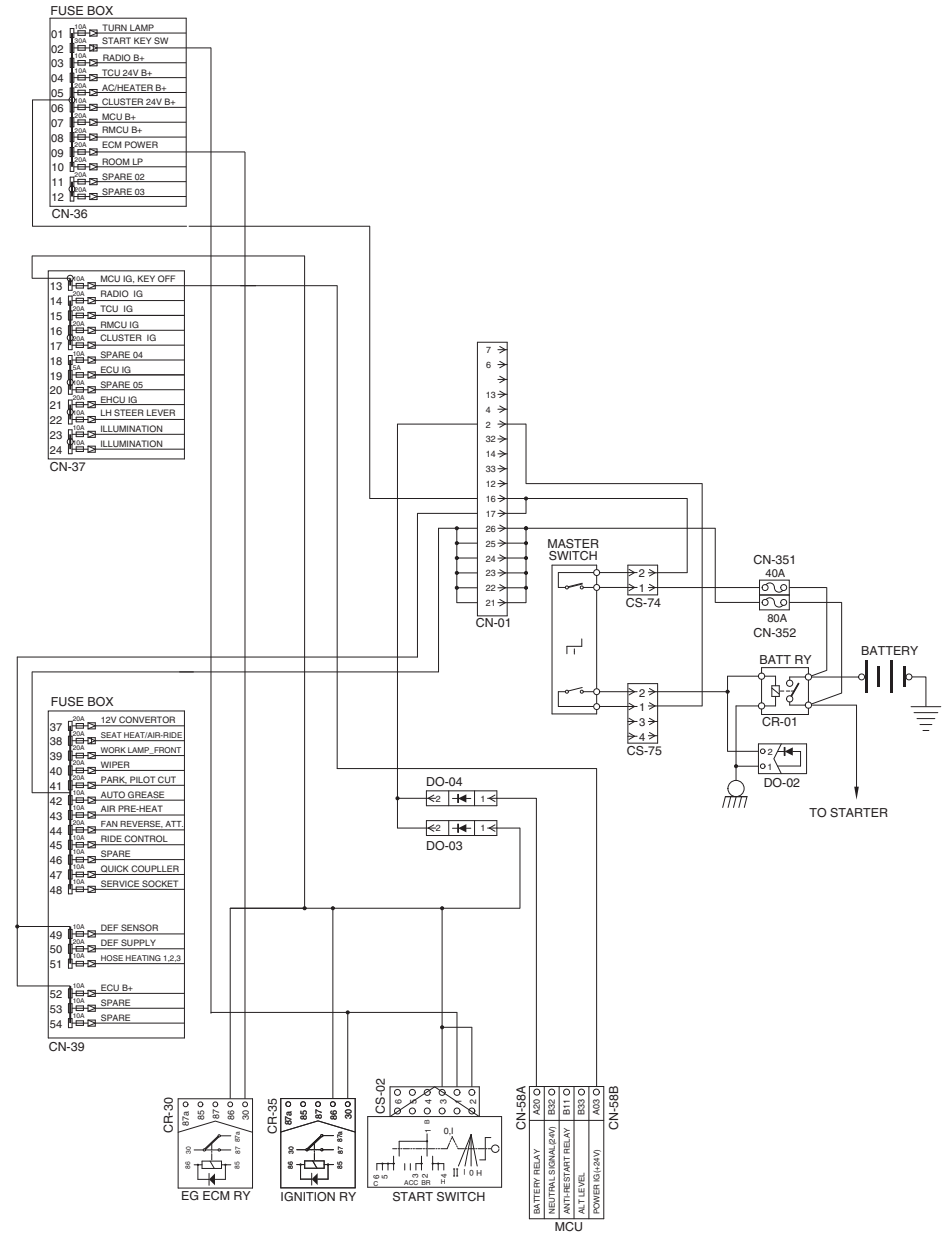
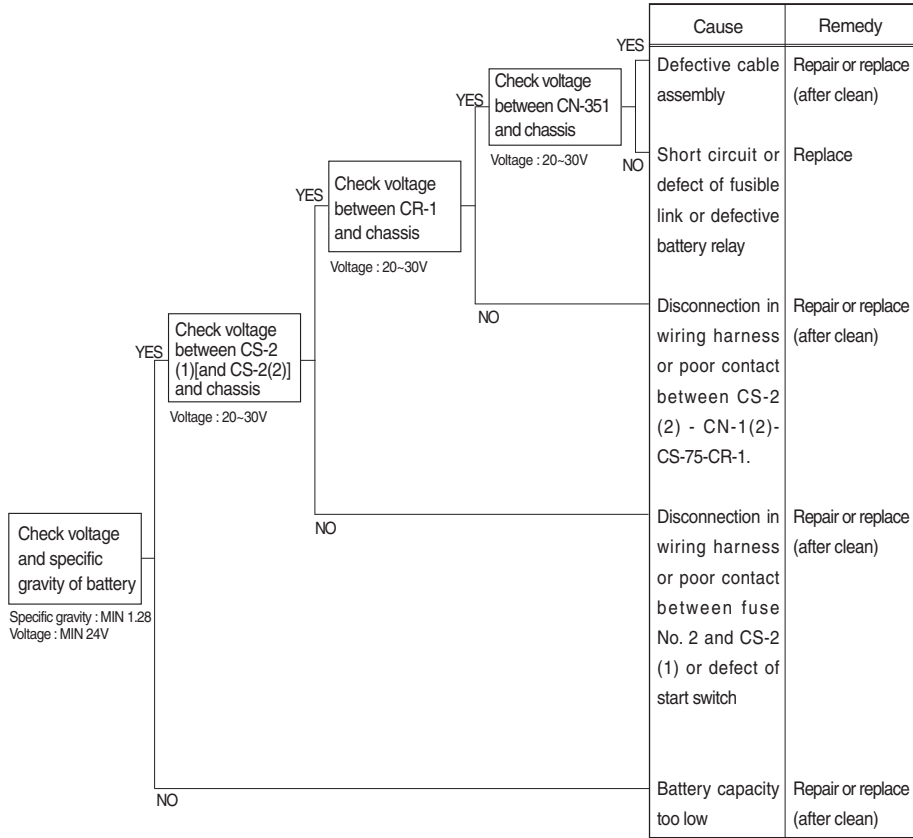
## 6. WHEN STARTING SWITCH IS TURNED ON, WIPER MOTOR DOES NOT OPERATE

- Before carrying out below procedure, check all the related connectors are properly inserted and the fuse No.40 is not blown out.
- After checking, connect the disconnected connectors again immediately unless otherwise specified.



## 7. WHEN STARTING SWITCH "ON" DOES NOT OPERATE

- Before carrying out below procedure, check all the related connectors are properly inserted the fuse No.2 is not blown out.
- After checking, connect the disconnected connectors again immediately unless otherwise specified.



## 8. WHEN STARTING SWITCH IS TURNED ON, WORK LAMP DOES NOT LIGHTS UP

- Before carrying out below procedure, check all the related connectors are properly inserted, and the fuse No.26, 39 is not blown out.
- After checking, connect the disconnected connectors again immediately unless otherwise specified.

