

## SECTION 6 WORK EQUIPMENT

Group 1 Structure and Function .....	6-1
Group 2 Operational Checks and Troubleshooting .....	6-38
Group 3 Tests and Adjustments .....	6-47
Group 4 Disassembly and Assembly .....	6-59

# SECTION 6 WORK EQUIPMENT

## GROUP 1 STRUCTURE AND FUNCTION

### 1. HYDRAULIC SYSTEM OUTLINE

The loader hydraulic system is a pilot operated, closed center system which is supplied with flow from the variable displacement piston main hydraulic pump.

The loader system components are :

- Main pump
- Main control valve
- Bucket cylinder
- Boom cylinders
- Remote control valve (Pilot control valve)
- Safety valve

The main control valve is load pressure independent flow distribution system which routes flow to the boom, bucket or auxiliary cylinders (not shown) when the respective spools are shifted.

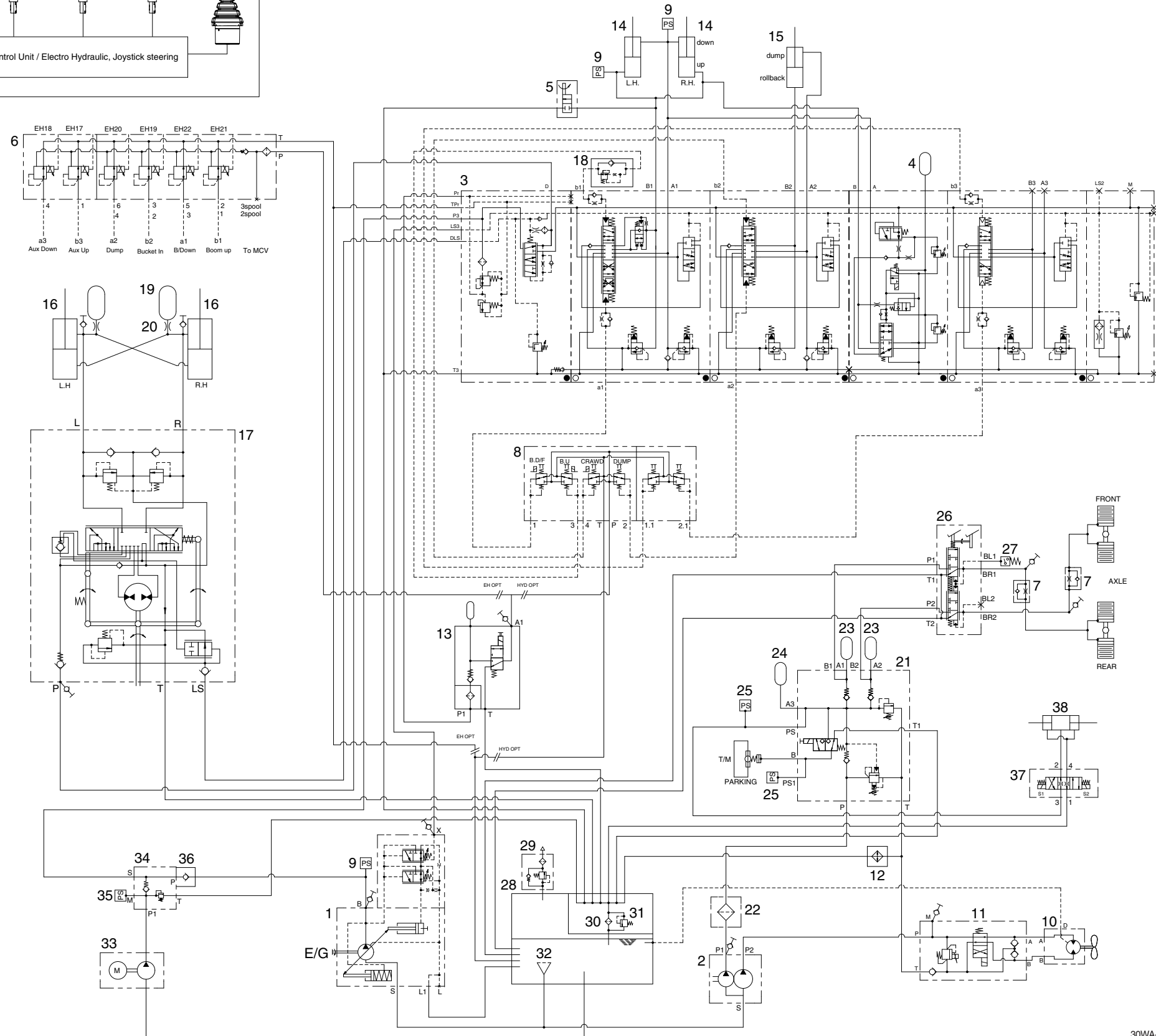
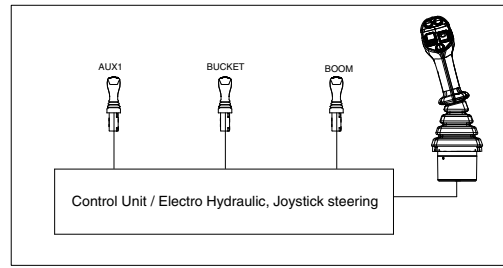
Flow from the main pump is routed to the main control valve where pump outlet pressure is reduced to pilot circuit pressure. The main control valve flow to the remote control valve.

The remote control valve routed flow to either end of each spool valve section in the main control valve to control spool stroke.

A accumulator mounted on safety valve supplies a secondary pressure source to operated remote control valve so the boom can be lowered if the engine is off.

The return circuit for the main hydraulic system have return filter inside the hydraulic tank. The return filter uses a filter element and a bypass valve. The bypass valve is located in the upside of filter.

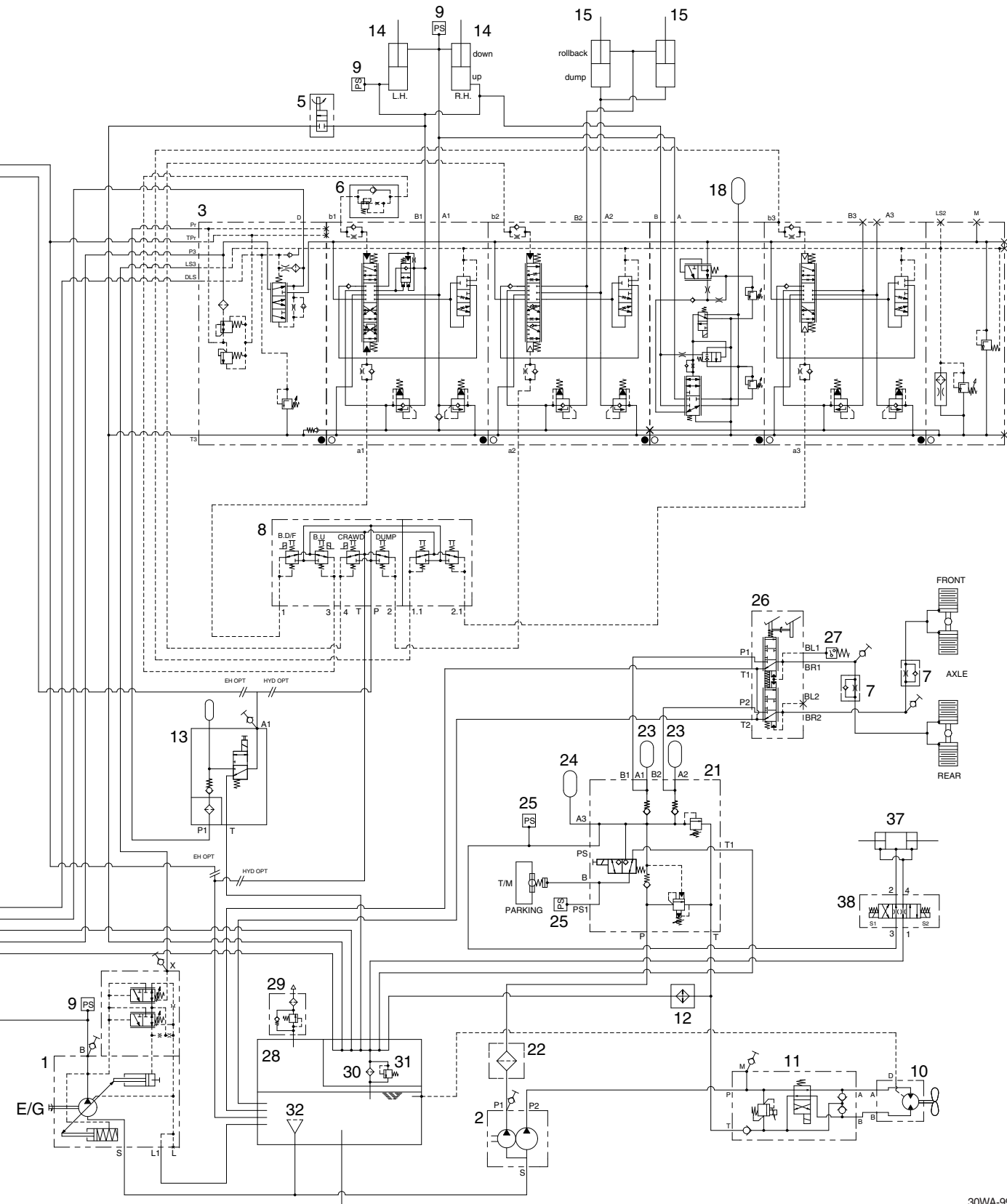
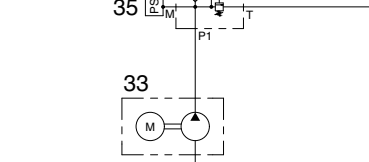
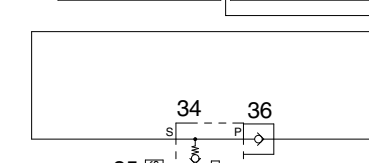
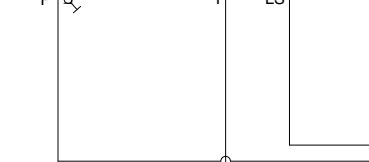
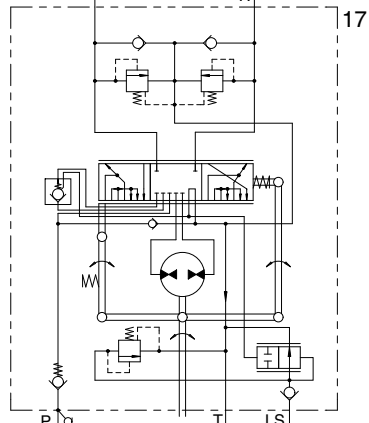
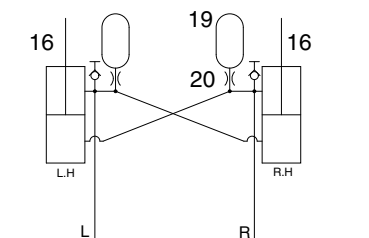
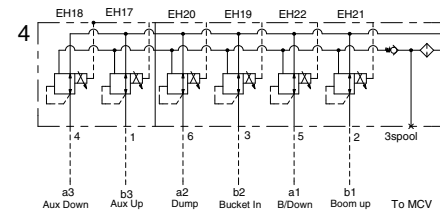
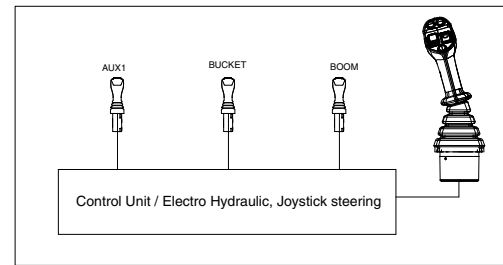
## 2. HYDRAULIC CIRCUIT (HL930A, HL930A XT)



- 1 Main pump
- 2 Fan & brake pump
- 3 Main control valve
- 4 Accumulator
- 5 Boom lowering valve
- 6 EH Control block
- 7 Orifice check valve
- 8 Remote control lever
- 9 Pressure sensor
- 10 Fan motor
- 11 Directional valve
- 12 Hyd oil cooler
- 13 Safety valve
- 14 Boom cylinder
- 15 Bucket cylinder
- 16 Steering cylinder
- 17 Steering unit
- 18 Shockless valve
- 19 Accumulator
- 20 Orifice
- 21 Cut off valve
- 22 Line filter
- 23 Accumulator
- 24 Accumulator
- 25 Pressure sensor
- 26 Brake valve
- 27 Pressure switch
- 28 Hydraulic tank
- 29 Air breather
- 30 Return filter
- 31 Bypass valve
- 32 Strainer assy
- 33 Motor pump (opt)
- 34 Check block (opt)
- 35 Pressure sensor (opt)
- 36 Check valve (opt)
- 37 Solenoid valve (opt)
- 38 Quick coupler cylinder (opt)

30WA-99500-03

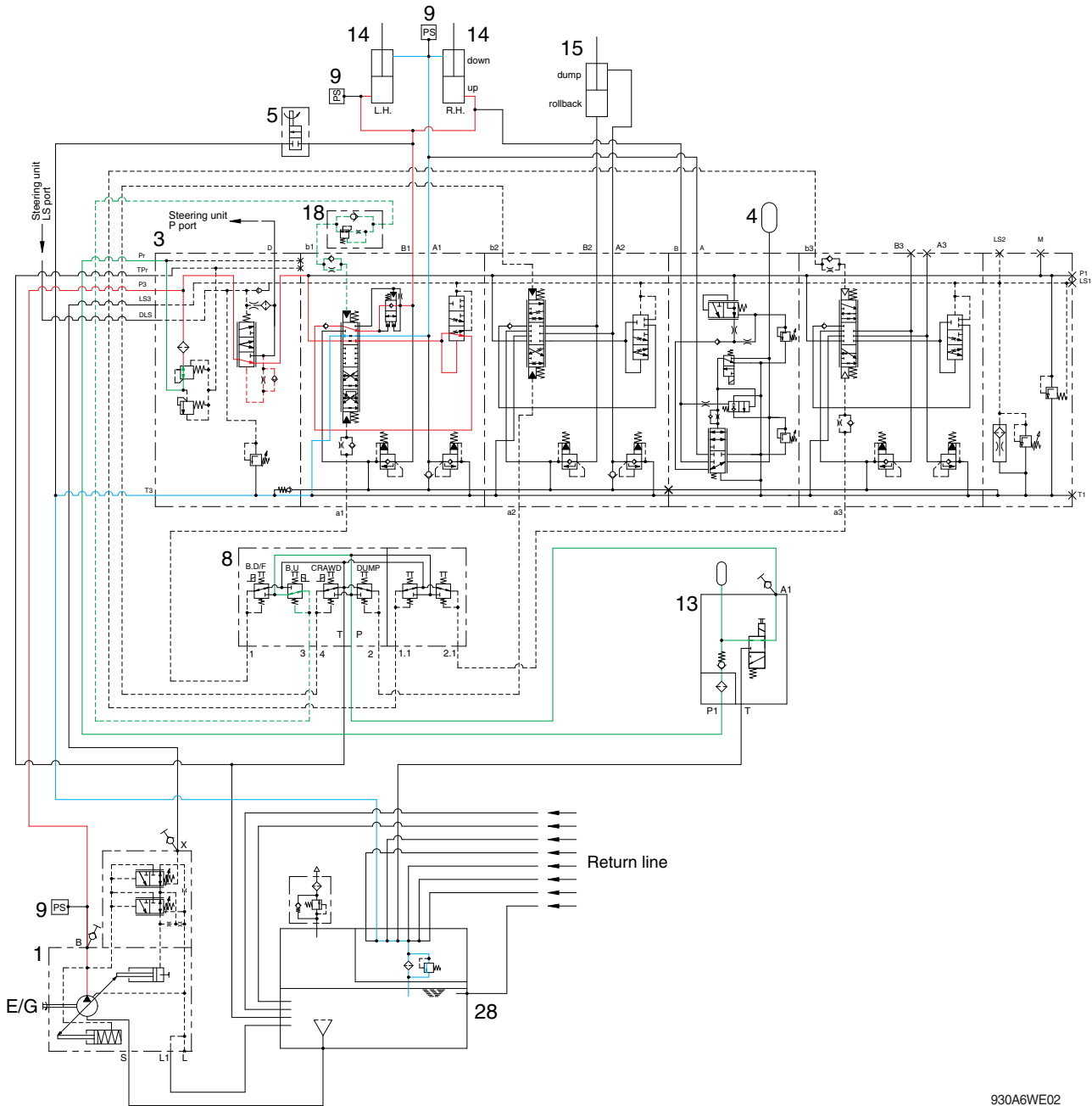
# HYDRAULIC CIRCUIT (HL930A TM)



- 1 Main pump
- 2 Fan & brake pump
- 3 Main control valve
- 4 EH control block
- 5 Boom lowering valve
- 6 Shockless valve
- 7 Orifice check valve
- 8 Remote control lever
- 9 Pressure sensor
- 10 Fan motor
- 11 Directional valve
- 12 Hyd oil cooler
- 13 Safety valve
- 14 Boom cylinder
- 15 Bucket cylinder
- 16 Steering cylinder
- 17 Steering unit
- 18 Accumulator
- 19 Accumulator
- 20 Orifice
- 21 Cut off valve
- 22 Line filter
- 23 Accumulator
- 24 Accumulator
- 25 Pressure sensor
- 26 Brake valve
- 27 Pressure switch
- 28 Hydraulic tank
- 29 Air breather
- 30 Return filter
- 31 Bypass valve
- 32 Strainer assy
- 33 Motor pump (opt)
- 34 Check block (opt)
- 35 Pressure sensor (opt)
- 36 Check valve (opt)
- 37 Solenoid valve (opt)
- 38 Quick coupler cylinder (opt)

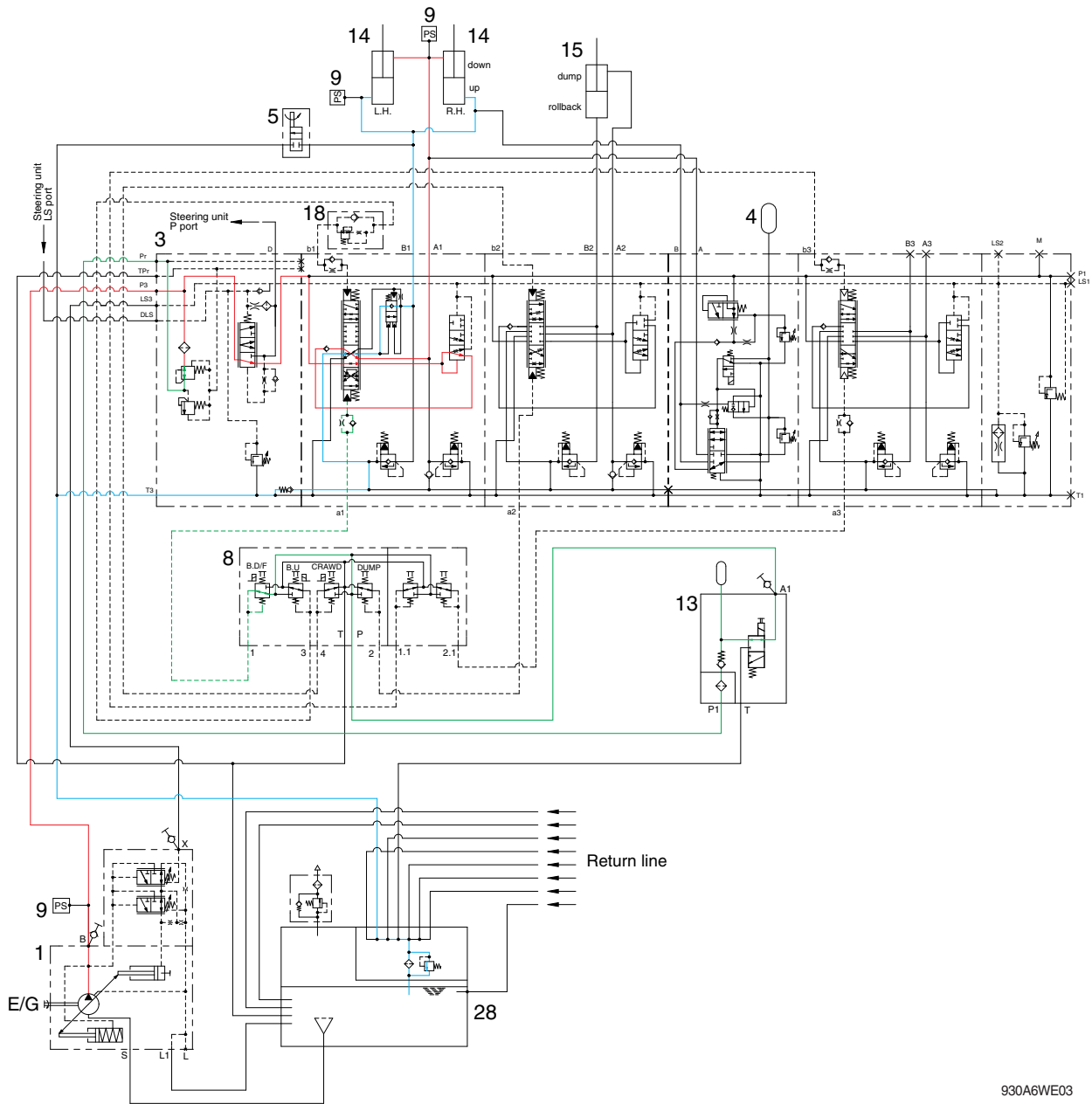
### 3. WORK EQUIPMENT HYDRAULIC CIRCUIT

#### 1) WHEN THE RCV LEVER IS IN THE RAISE POSITION



- When the RCV lever (8) is pulled back, the boom spool is moved to raise position by pilot oil pressure from port 3 of RCV.
- The oil from main pump (1) flows into main control valve (3) and then goes to the large chamber of boom cylinder (14) by pushing the load check valve of the boom spool.
- The oil from the small chamber of boom cylinder (14) returns to hydraulic oil tank (28) through the boom spool at the same time.
- When this happens, the boom goes up.

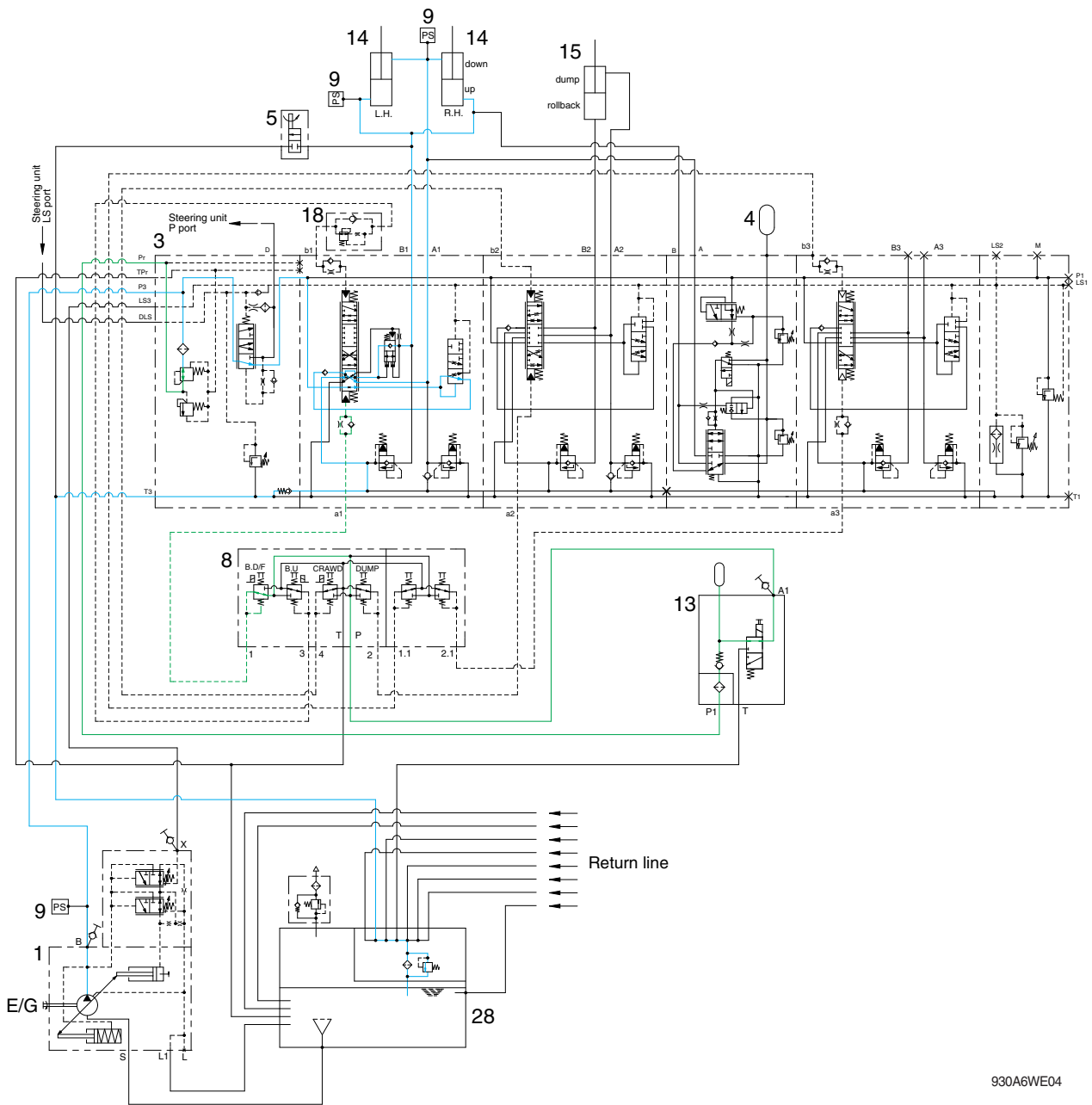
## 2) WHEN THE RCV LEVER IS IN THE LOWER POSITION



- When the RCV lever (8) is pushed forward, the boom spool is moved to lower position by pilot pressure.
- The oil from main pump (1) flows into main control valve (3) and then goes to small chamber of boom cylinder (14) by pushing the load check valve of the boom spool.
- The oil returned from large chamber of boom cylinder (14) returns to hydraulic tank (28) through the boom spool at the same time.
- When the lowering speed of boom is faster, the return oil from the large chamber of boom cylinder combines with the oil from the pump through the regeneration check valve, and flows into the small chamber of the cylinder.

This prevents cylinder cavitation by the negative pressure when the pump flow cannot match the boom down speed.

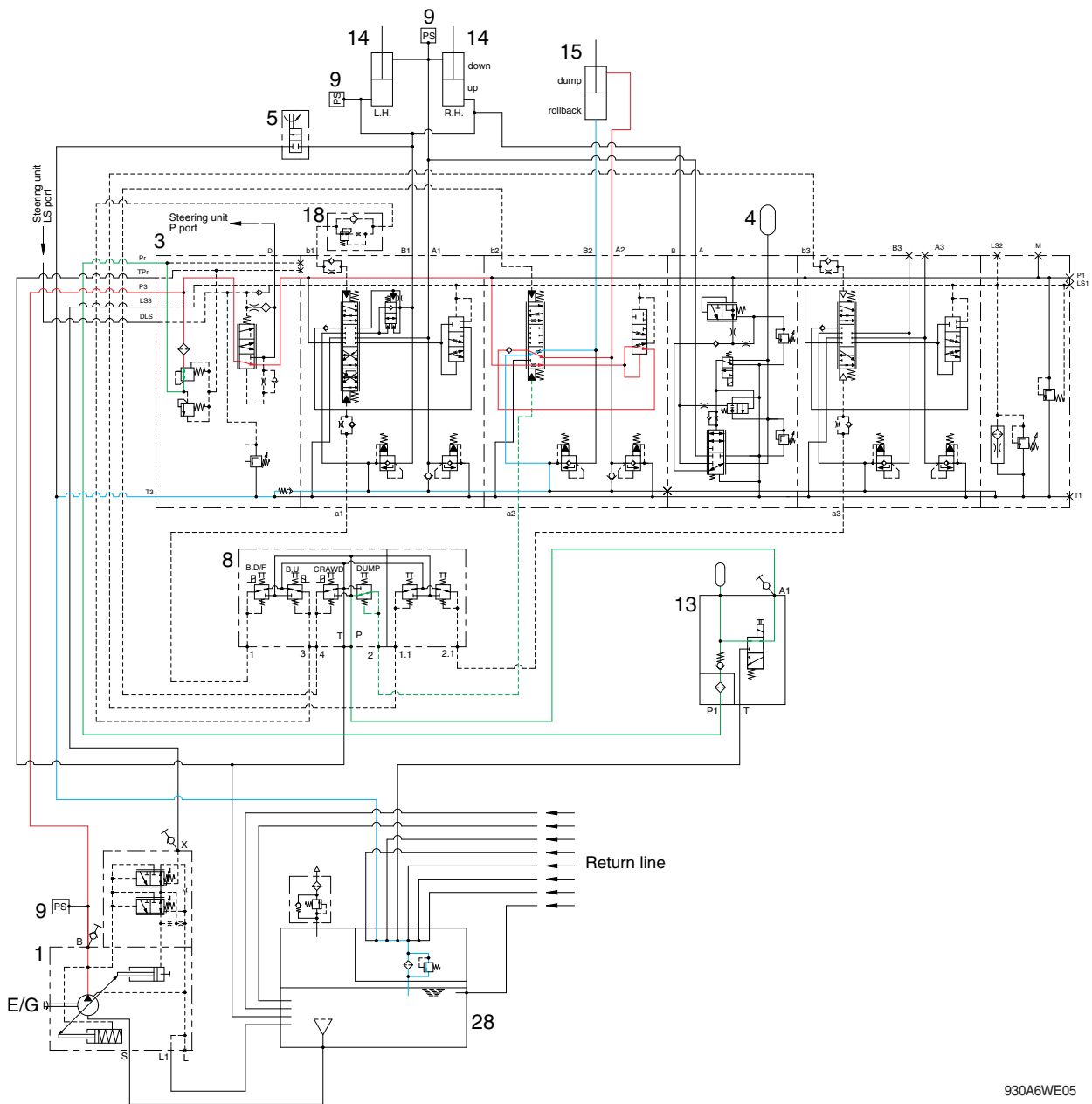
### 3) WHEN THE RCV LEVER IS IN THE FLOAT POSITION



930A6WE04

- When the RCV lever (8) is pushed further forward from the lower position, the pilot pressure reaches to 30bar, then the boom spool is moved to floating position.
- The work ports (A1), (B1) and the small chamber and the large chamber are connected to the return passage, so the boom will be lowered due to it's own weight.
- In this condition, when the bucket is in contact with the ground, it can be move up and down in accordance with the shape of the ground.

#### 4) WHEN THE RCV LEVER IS IN THE DUMP POSITION

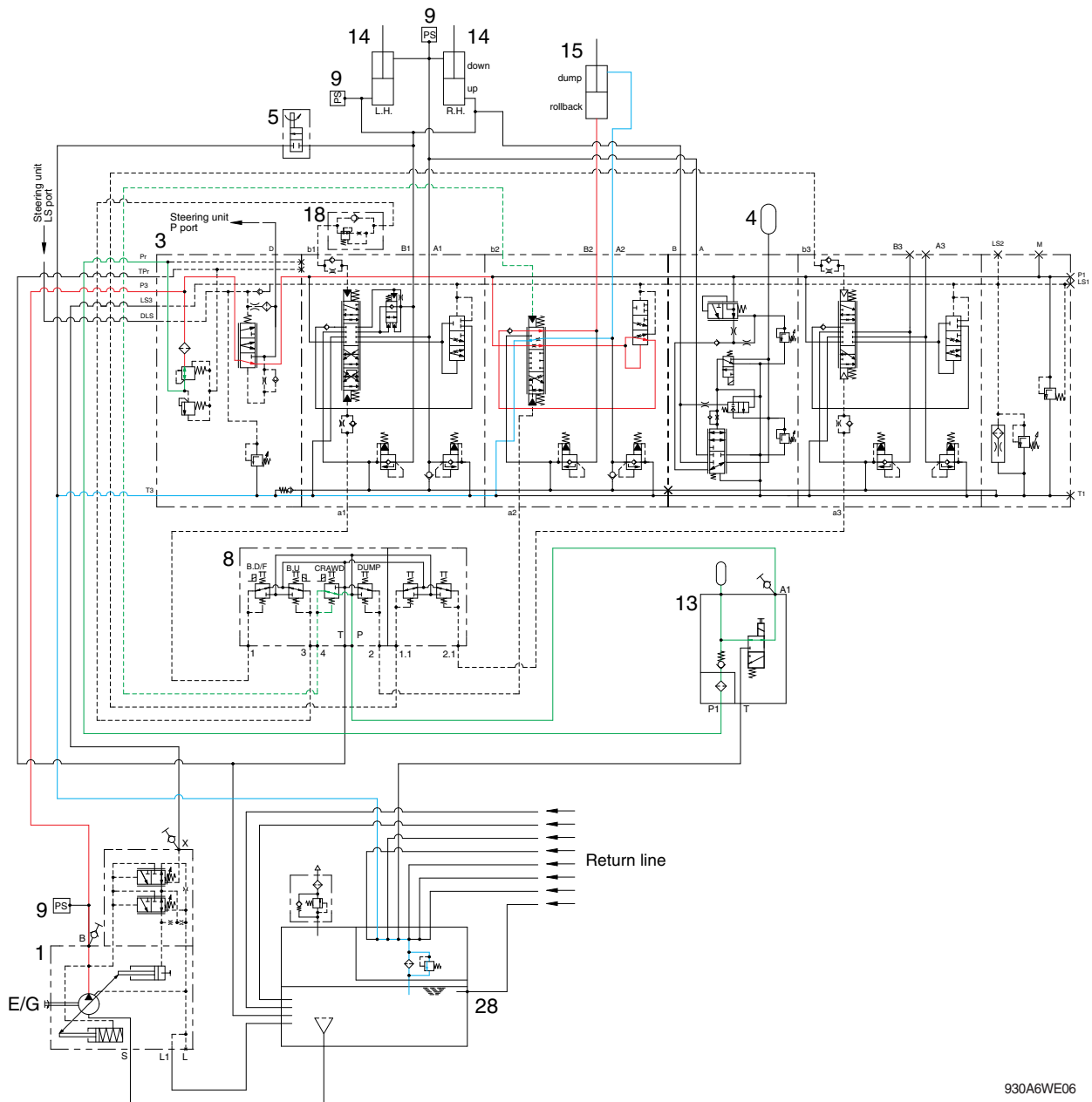


930A6WE05

- If the RCV lever (8) is pushed right, the bucket spool is moved to dump position.
- The oil from main pump (1) flows into main control valve (3) and then goes to the small chamber of bucket cylinder (15) by pushing the load check valve of the bucket spool.
- The oil at the large chamber of bucket cylinder (15) returns to hydraulic tank (28).
- When this happens, the bucket is dumped.
- When the dumping speed of bucket is faster, the oil returned from the large chamber of bucket cylinder combines with the oil from the pump, and flows into the small chamber of the cylinder. This prevents cylinder cavitation by the negative pressure when the pump flow cannot match the bucket dump speed.



## 5) WHEN THE RCV LEVER IS IN THE ROLL BACK (retract) POSITION

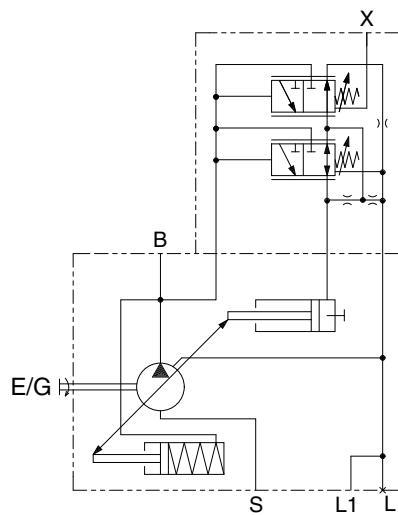
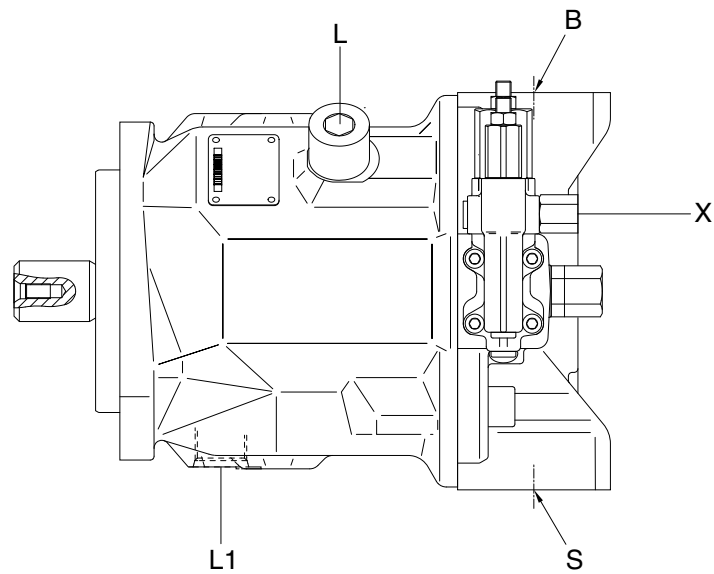


930A6WE06

- If the RCV lever (8) is pulled left, the bucket spool is moved to roll back position.
- The oil from main pump (1) flows into main control valve (3) and then goes to the large chamber of bucket cylinder by pushing the load check valve of the bucket spool.
- The oil at the chamber of bucket cylinder (15) returns to hydraulic tank (28).
- When this happens, the bucket roll back.
- When the rolling speed of bucket is faster, the return oil from the small chamber of bucket cylinder combines with the oil from the pump, and flows into the large chamber of the cylinder. This prevents cylinder cavitation by the negative pressure when the pump flow cannot match the bucket rolling port speed.

## 4. MAIN PUMP

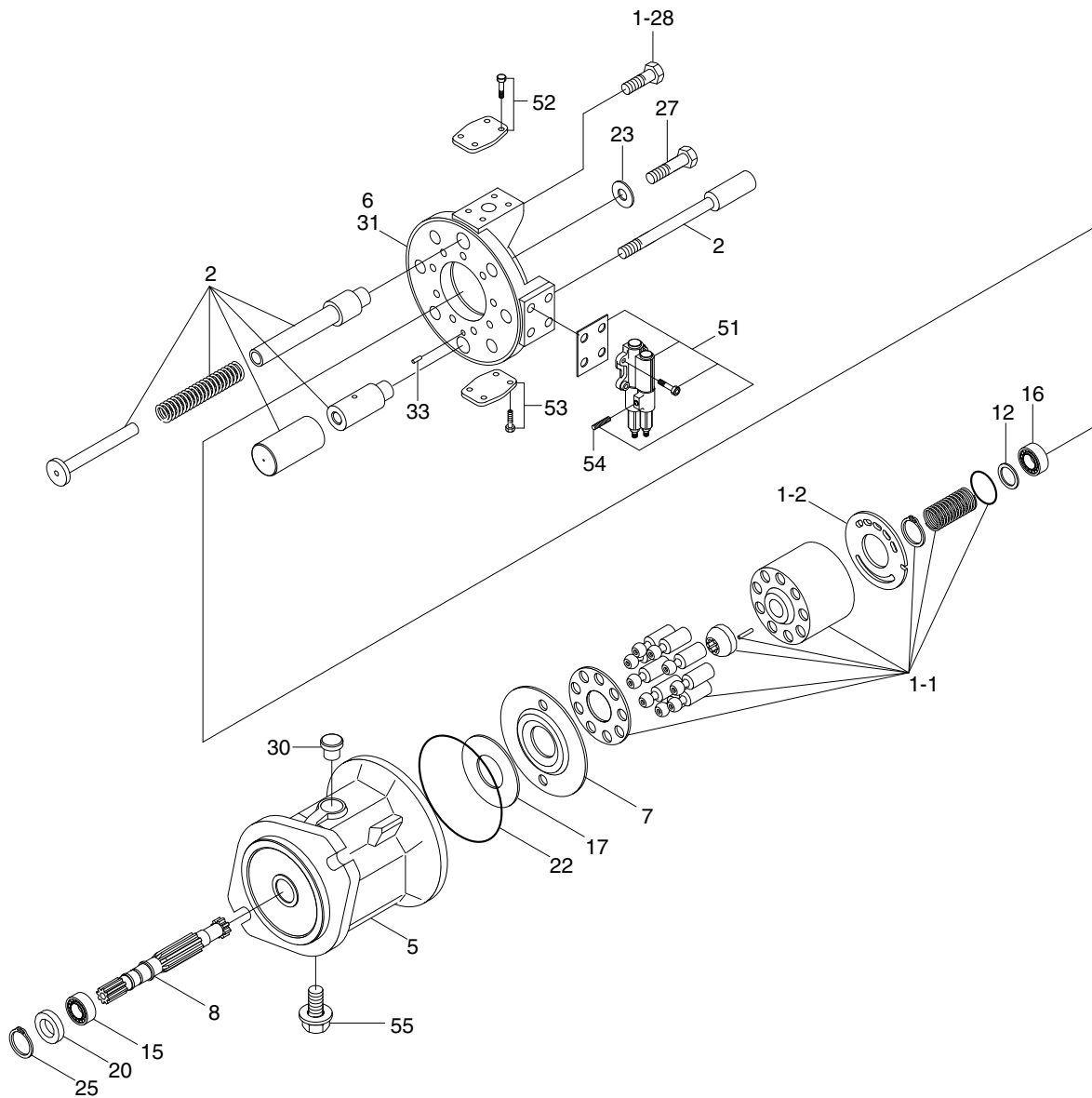
### 1) STRUCTURE (1/2)



930A6WE12

Port	Port name	Port size
B	Pressure port	SAE 1"
S	Suction port	SAE 2"
L	Case drain port	M22 x 1.5
L1	Case drain port	7/8-14UNF
X	Pilot pressure port	M14 x 1.5

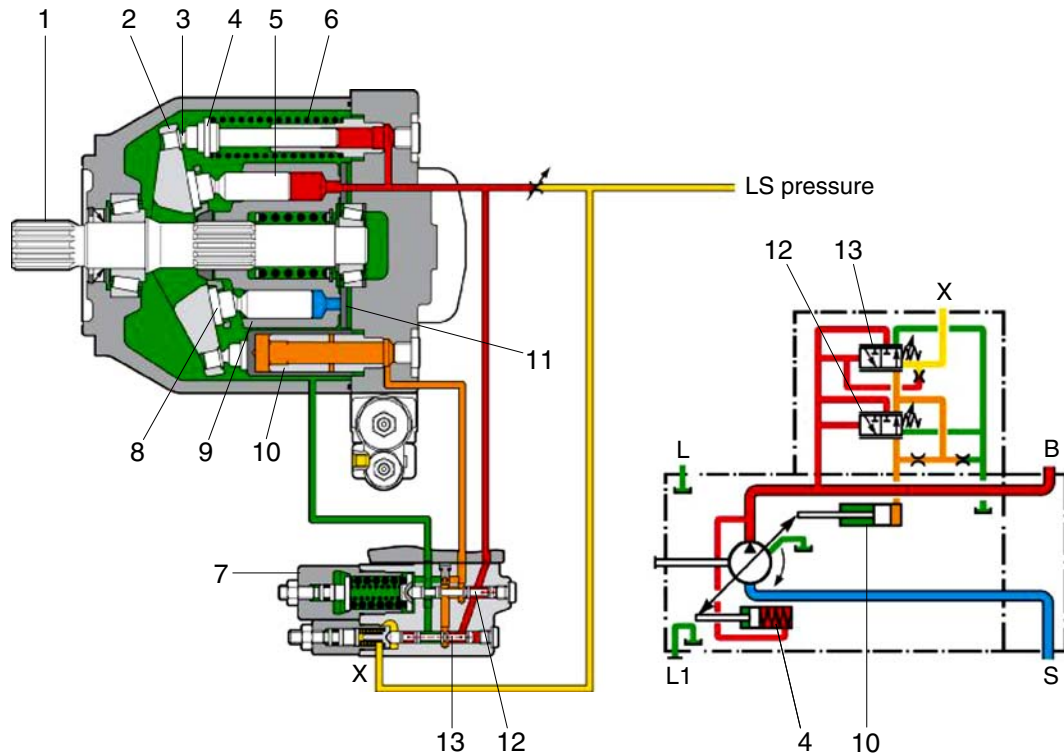
## STRUCTURE (2/2)



74096WE11

- |     |                         |    |                      |    |                      |
|-----|-------------------------|----|----------------------|----|----------------------|
| 1   | Rotary group            | 15 | Taper roller bearing | 30 | Locking screw        |
| 1-1 | High speed rotary group | 16 | Taper roller bearing | 31 | Double break-off pin |
| 1-2 | Control plate           | 17 | Bearing liner        | 33 | Cylinder pin         |
| 2   | Adjusting piece         | 20 | Shaft seal ring      | 51 | Control valve        |
| 5   | Pump housing            | 22 | O-ring               | 52 | Flange cover         |
| 6   | Port plate              | 23 | O-ring               | 53 | Flange cover         |
| 7   | Swash plate             | 25 | Retaining ring       | 54 | Seal screw           |
| 8   | Drive shaft             | 27 | Socket screw         | 55 | Seal screw           |
| 12  | Adjustment shim         | 28 | Locking screw        |    |                      |

## 2) FUNCTION



75796WE33

1	Drive shaft	6	Counter spring	11	Control plate
2	Swash plate	7	Pressure & flow compensator valve	12	Pressure compensator spool
3	Shoe plate	8	Piston shoe	13	Flow compensator spool
4	Counter piston	9	Cylinder		
5	Piston	10	Control piston		

The steering pump and loader pump are variable displacement piston pump. The steering pump and loader pump are flow controlled by LS signal. When the steering and loader are not being used, the pumps are at low pressure standby.

The load sensing pressure that is sensed from steering and loader hydraulic systems flows to flow compensator spool (13). This spool keeps the pump output at a level that is necessary to fulfill the requirements for the system flow and for the pressure.

The pressure compensator spool (12) also limits maximum system pressure. The pressure compensator spool (12) prevents damage to the steering and loader hydraulic components from excessive pressure.

The swivel angle of the pumps is controlled by counter piston (4) and control piston (10). Counter spring (6) cause swash plate (2) to move at maximum displacement or causes swash plate (2) to upstroke.

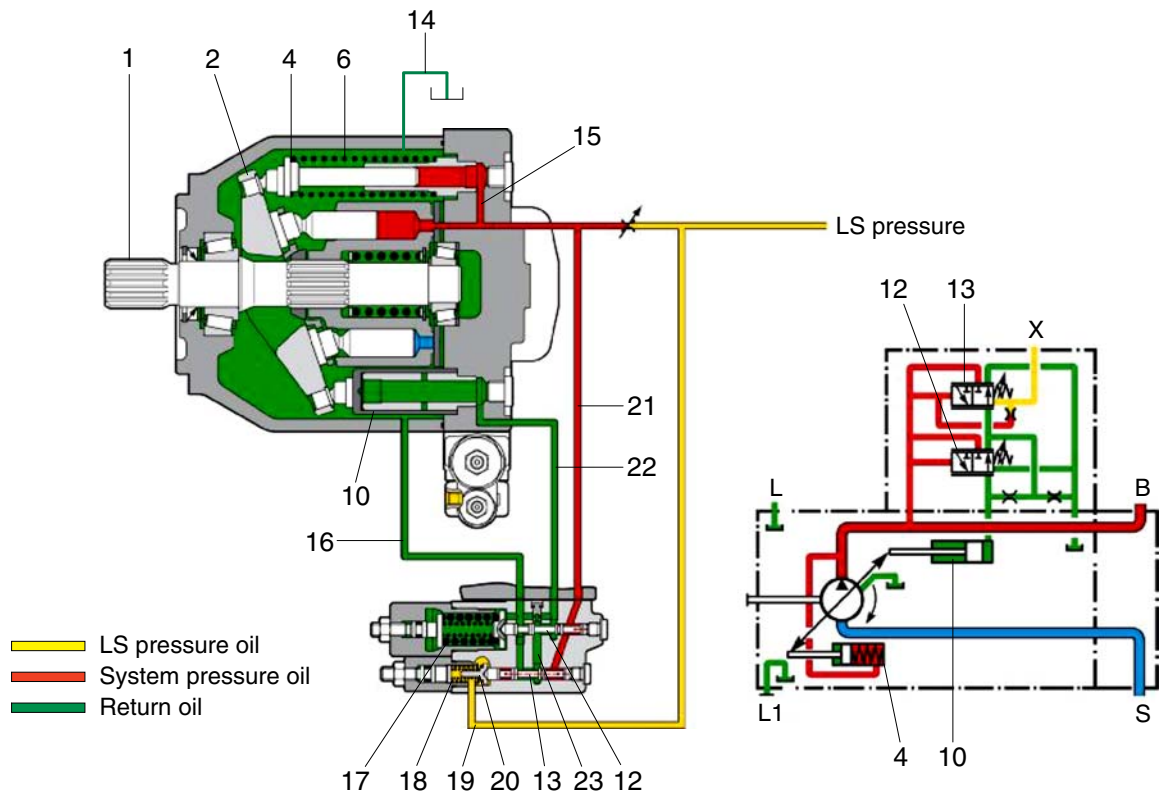
Control piston (10) has a larger area (diameter) than counter piston (4). Control piston (10) causes swash plate (2) to destroke the pump.

Flow compensator spool (13) and/or pressure compensator spool (12) changes pump output by regulating the pump discharge pressure that is acting on control piston (10).

Control piston (10) diameter is larger than counter piston (4) diameter, the oil pressure that is acting against control piston (10) overcomes the force of counter spring (6). The oil pressure then causes the pump to destroke.

Pressure and flow compensator valve (7) also controls the maximum output of pump pressure. When steering and loader pressure rises above pressure compensator setting, pressure compensator spool (12) overrides flow compensator spool (13). This causes the pump to destroke.

## (1) Upstroking



75796WE35

1	Drive shaft	13	Flow compensator spool	19	LS line from the metering pump
2	Swash plate	14	Case drain	20	Cavity
4	Counter piston	15	Passage	21	Passage
6	Counter spring	16	Passage	22	Passage
10	Control piston	17	Spring	23	Cavity
12	Pressure compensator spool	18	Spring		

Upstroking of the pump occurs as flow demand from loader and steering system.

The increased flow demand causes a LS pressure in LS line (19). The LS pressure in LS line (19) combines with the force of spring (18) in cavity (20).

The force of spring (18) causes pump pressure to be higher than the LS pressure (19).

If the combination of LS pressure and of spring force is greater than the pump discharge pressure, this difference pressure causes spool (13) to move right. As spool (13) moves right, the spool (13) blocks the flow of supply oil to control piston (10). Pump swash plate (2) is controlled by pressure and flow as much as hydraulic system requests.

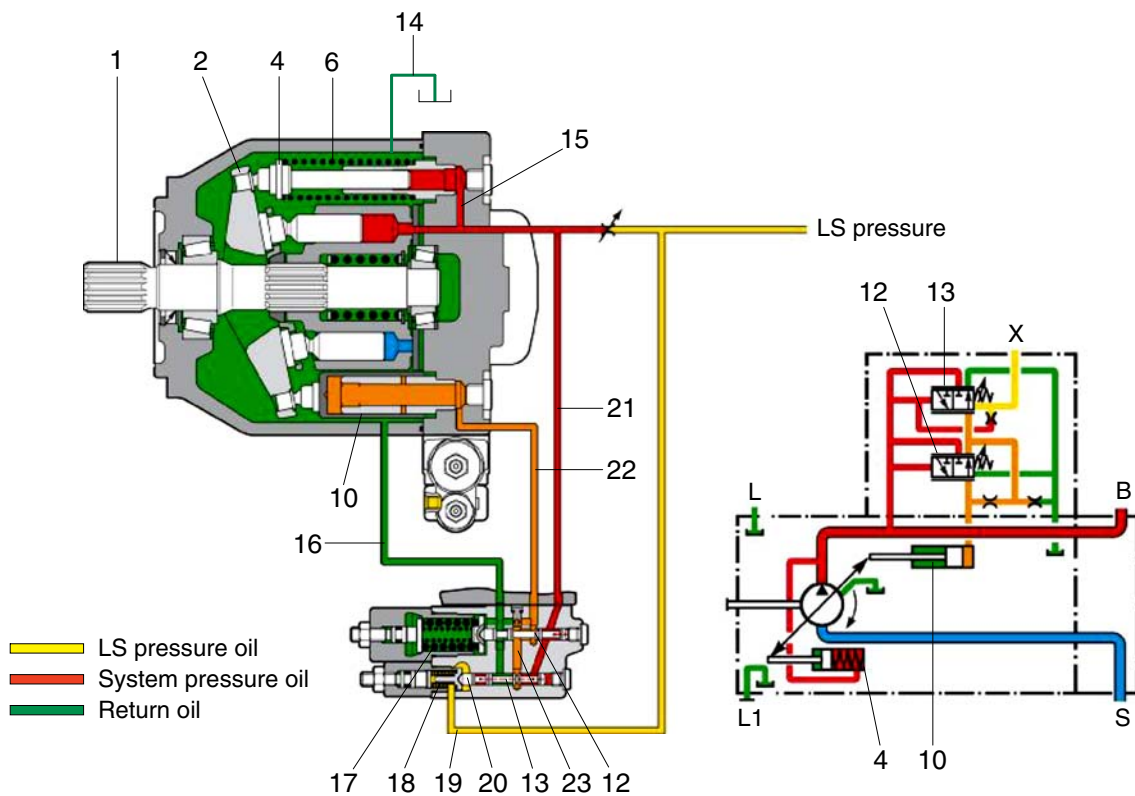
When the oil flow to control piston (10) is blocked, the pilot oil in passage (22) drains to passage (23). The oil then flows past pressure compensator spool (12) and through passage (16) into the housing and via the drain line (14) to tank.

Supply oil flows through passage (15) to counter piston (4). The oil acts against counter piston (4). The oil combines with the force of counter spring (6). This causes swash plate (2) to upstroke.

This also causes the pump flow to increase. As flow requirements are satisfied, the pump output pressure increase. The pressure increases until the pressure in passage (15) moves flow compensator spool (13) up to be satisfied with system requirement for pressure and flow.

· Pump discharge pressure = force of spring (18) + LS pressure (19)

## (2) Destroking



75796WE34

1	Drive shaft	13	Flow compensator spool	19	LS line from the metering pump
2	Swash plate	14	Case drain	20	Cavity
4	Counter piston	15	Passage	21	Passage
6	Counter spring	16	Passage	22	Passage
10	Control piston	17	Spring	23	Cavity
12	Pressure compensator spool	18	Spring		

The decreased flow demand causes a LS pressure in line (19). The LS pressure in line (19) combines with the force of spring (18) in cavity (20).

This combination of LS pressure and of spring force is less than the pump pressure in passage (21). This causes flow compensator spool (13) to move left.

Pump oil now flows through passage (15). The oil then flows past flow compensator spool (13), through passage (22), and then to control piston (10).

The pump pressure behind control piston (10) is now greater than the combined force of counter piston (4) and of counter spring (6). The angle of swash plate (2) decreases.

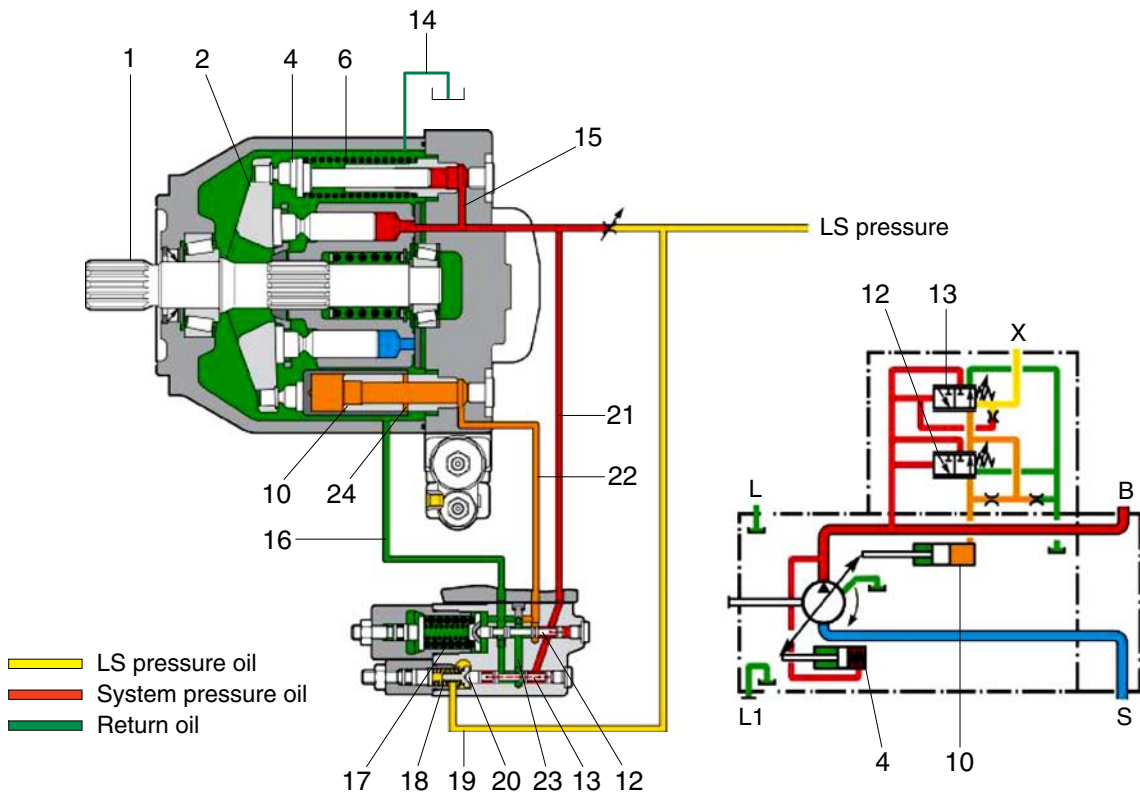
This decreases the pump output and the system pressure.

When the lower flow requirements are met, flow compensator spool (13) moves right up to the balanced position. Swash plate (2) maintains an angle that is sufficient to provide the lower required pressure. If the operator does not turn the steering wheel and does not move RCV, then the pump will return to low pressure standby.

※ Control piston → Changes pump displacement ; influenced by controller.

Counter piston → Helps to change pump displacement but no possible to control this piston.

### (3) Low pressure standby



75796WE36

1	Drive shaft	13	Flow compensator spool	19	LS line from the metering pump
2	Swash plate	14	Case drain	20	Cavity
4	Counter piston	15	Passage	21	Passage
6	Counter spring	16	Passage	22	Passage
10	Control piston	17	Spring	23	Cavity
12	Pressure compensator spool	18	Spring	24	Cross-drilled hole

Low pressure standby constitutes the following condition: a running engine and inactive steering and loader. There are no flow demands on the pump or pressure demands on the pump. Therefore, there is no LS pressure in line (19).

Before you start the engine, counter spring (6) holds swash plate (2) at the maximum angle. As the pump begins to turn, oil begins to flow and pressure increases in the system.

Because of close centered steering control valve and close centered loader hydraulic system.

As this pressure increase, the pressure pushes flow compensator spool (13) against spring (18). This causes flow compensator spool (13) to move left. This opens passage (23) in order to allow pressure oil to flow to control piston (10).

The oil acts against control piston (10) in order to overcome the force of counter spring (6). The oil causes control piston (10) to move to the left.

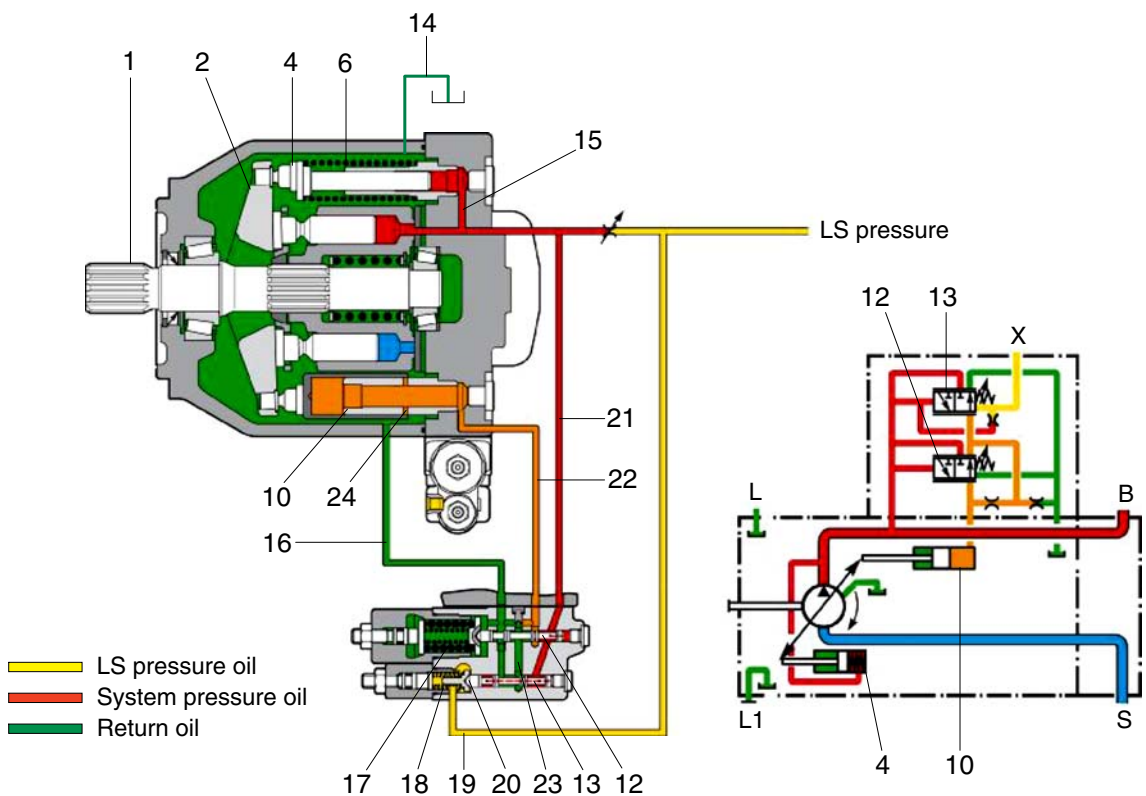
When control piston (10) moves to the left, the piston moves swash plate (2) toward the minimum angle. Control piston (10) continues to move to the left until cross-drilled hole (24) allows the oil to drain to the case.



Cross-drilled hole (24) limits the maximum travel of control piston (10) to the left. The pump supplies a sufficient amount of flow that compensates for system leakage. The pump also supplies a sufficient amount of flow that compensates for leakage to the pump case. The leakage to the pump case is a result of the cross-drilled hole. The pump maintains low pressure standby. Low pressure standby pressure should not exceed 40 bar (580 psi).

- ※ Low pressure standby will vary in the same pump as the system leakage or the pump leakage increases. The pump will upstroke slightly in order to compensate for the increasing leakage. Control piston (10) will cover more of the cross-drilled hole.

#### (4) High pressure stall



75796WE36

- |                               |                           |                                   |
|-------------------------------|---------------------------|-----------------------------------|
| 1 Drive shaft                 | 13 Flow compensator spool | 19 LS line from the metering pump |
| 2 Swash plate                 | 14 Case drain             | 20 Cavity                         |
| 4 Counter piston              | 15 Passage                | 21 Passage                        |
| 6 Counter spring              | 16 Passage                | 22 Passage                        |
| 10 Control piston             | 17 Spring                 | 23 Cavity                         |
| 12 Pressure compensator spool | 18 Spring                 |                                   |

When the hydraulic system stalls under load or when the cylinders reach the end of the stroke, the main system pressure increases. But LS pressure (19) is regulated by LS relief valve on steering system and loader system. The pressure difference between discharged pump and LS pressure equal to spring (18). It means no flow is necessary. Therefore, discharged pressure push flow compensator spool (13) left. Supply oil now flows past flow compensator spool (13) and through passage (23). The oil flows past flow compensator spool (13) and into passage (22). The oil then flows to control piston (10).

Pump swash plate (2) will be minimum displacement if the operator does not turn the steering wheel and RCV, then the pump will return to low pressure standby.

### (5) Adjustment of flow control

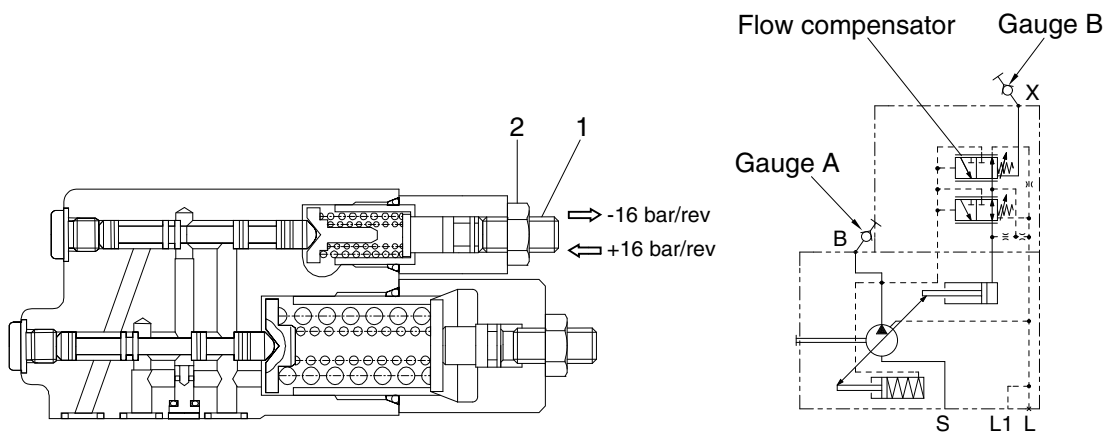
Flow compensator setting must be carried out following procedures and conditions.

#### ① Conditions

- Engine is running (at high or low idle).
- RCV is operated slowly (example : Boom up).
- Pressure gauges are installed.
- ※ Discharge pump flow should be less than max pump flow.

#### ② Procedures

- Loosening the hexagon nut (2).
- Adjusting screw (1) of flow controller by tightening or loosening the screw (1).
  - Flow setting :  $\Delta P = \text{Gauge A} - \text{Gauge B}$
  - Specification : 30 bar



75796WE37

### (6) Adjustment of pressure control

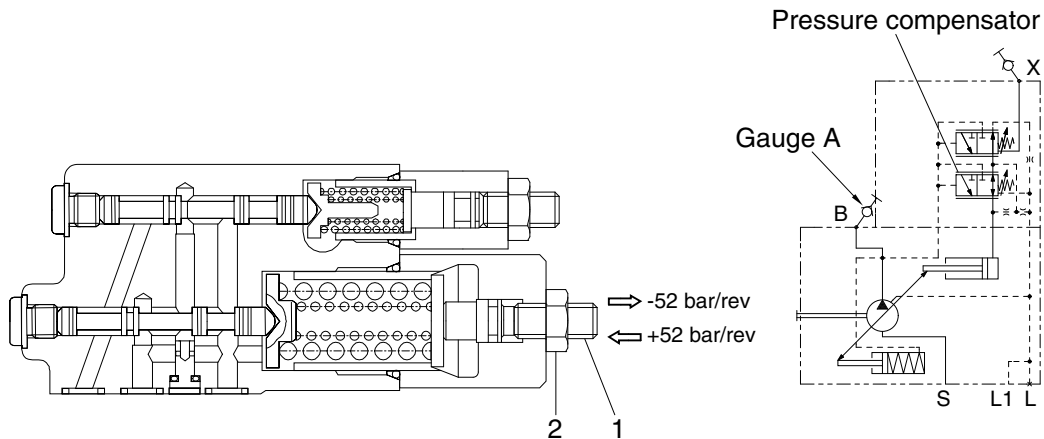
Pressure compensator setting must be carried out following procedures and conditions.

#### ① Conditions

- Engine is running.
- System is at relief condition.

#### ② Procedures

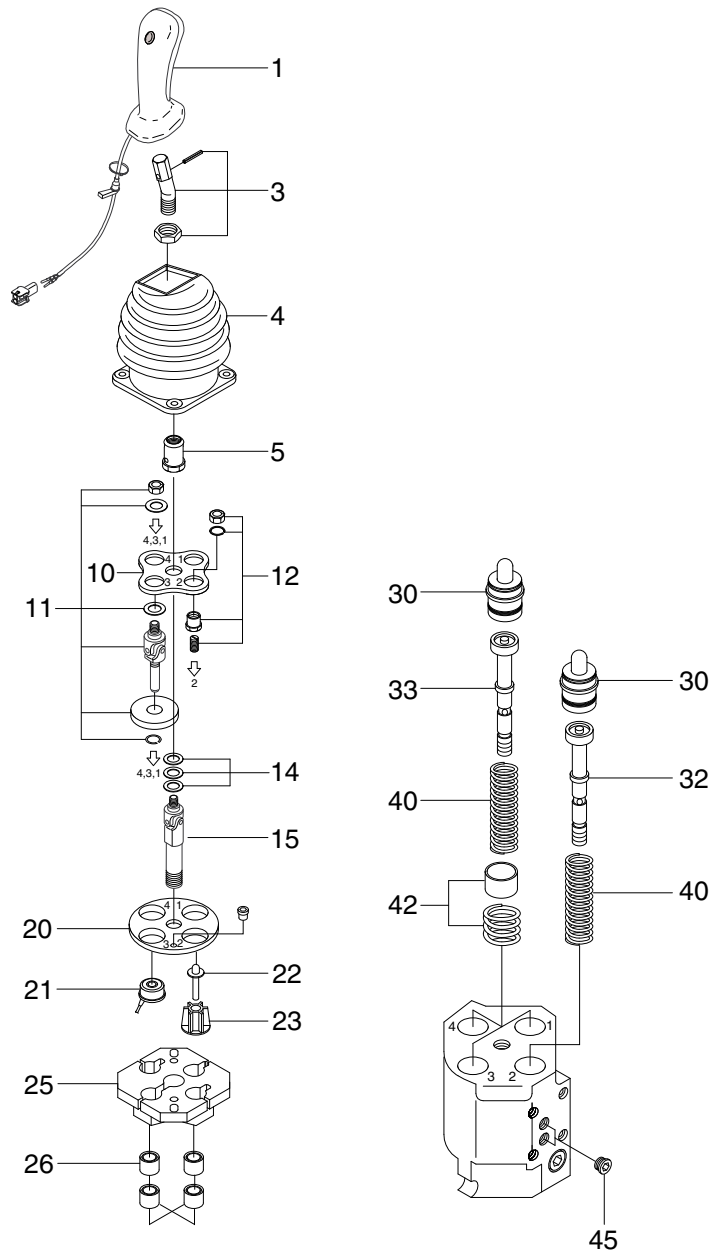
- Loosening the hexagon nut (2).
- Adjusting screw (1) of pressure controller by tightening or loosening the screw (1).
  - Maximum pressure setting = Gauge A
  - Specification : 300 bar



75796WE38

## 5. REMOTE CONTROL VALVE

### 1) STRUCTURE



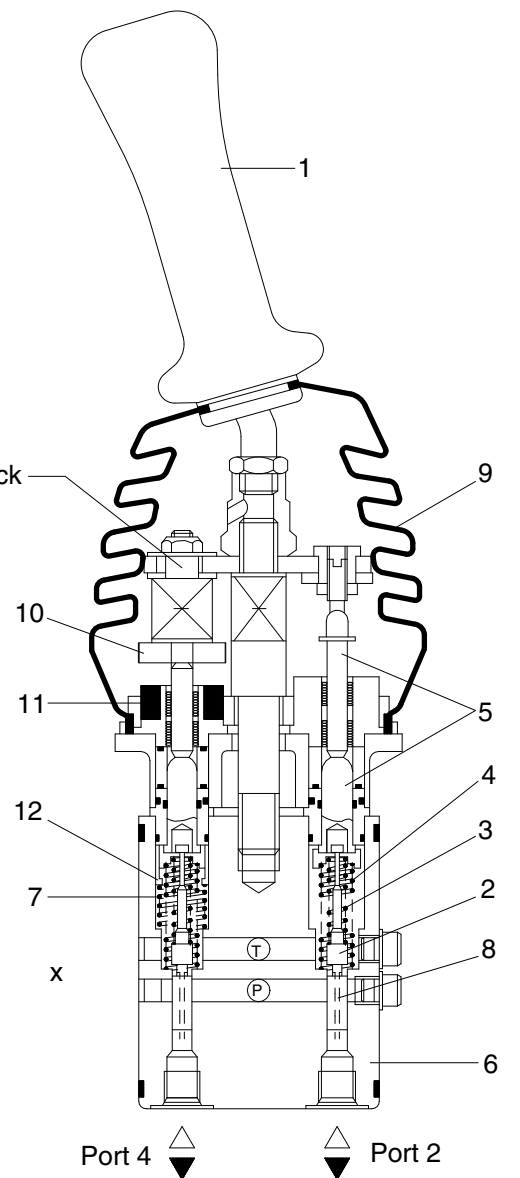
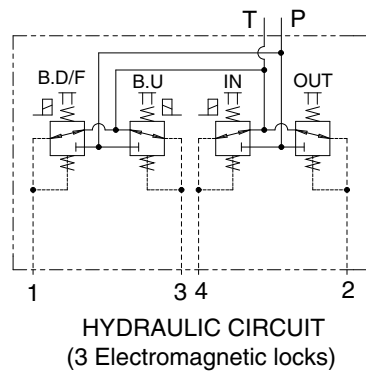
- 1 Handle
- 3 Lever kit
- 4 Bellows
- 5 Nut
- 10 Bracket
- 11 Detent kit
- 12 Plunger kit

- 14 Shim set
- 15 Joint
- 20 Flange
- 21 Solenoid complete
- 22 Plunger kit
- 23 Plunger guide
- 25 Electric bracket

- 26 Bushing kit
- 30 Plunger kit
- 32 Regulating unit
- 33 Regulating unit
- 40 Spring set
- 42 Prefeel point kit
- 45 Plug set

7707WE11

## 2) OPERATION



### (1) Hydraulic functional principle

Pilot devices with end position locks operate as direct operated pressure reducing valves.

They basically comprise of control lever (1), four pressure reducing valves, housing (6) and locks.

Each pressure reducing valve comprises of a control spool (2), a control spring (3), a return spring (4) a plunger (5).

At rest, control lever (1) is held in its neutral position by return springs (4). Ports (1, 2, 3, 4) are connected to tank port T via drilling (8).

When control lever (1) is deflected, plunger (5) is pressed against return spring (4) and control spring (3).

Control spring (3) initially moves control spool (2) downwards and closes the connection between the relevant port and tank port T. At the same time the relevant port is connected to port P via drilling (8). The control phase starts as soon as control spool (2) finds its balance between the force from control spring (3) and the force, which results from the hydraulic pressure in the relevant port (ports 1, 2, 3 or 4).

Due to the interaction between control spool (2) and control spring (3) the pressure in the relevant port is proportional to the stroke of plunger (5) and hence to the position of control lever (1).

This pressure control which is dependent on the position of the control lever and the characteristics of the control spring permits the proportional hydraulic control of the main directional valves and high response valves for hydraulic pumps.

A rubber bellows (9) protects the mechanical components in the housing from contamination.

## **(2) End position lock**

Only those control ports, for which it is necessary to hold the control lever in a deflected position are equipped with end position locks.

### Electromagnetic lock

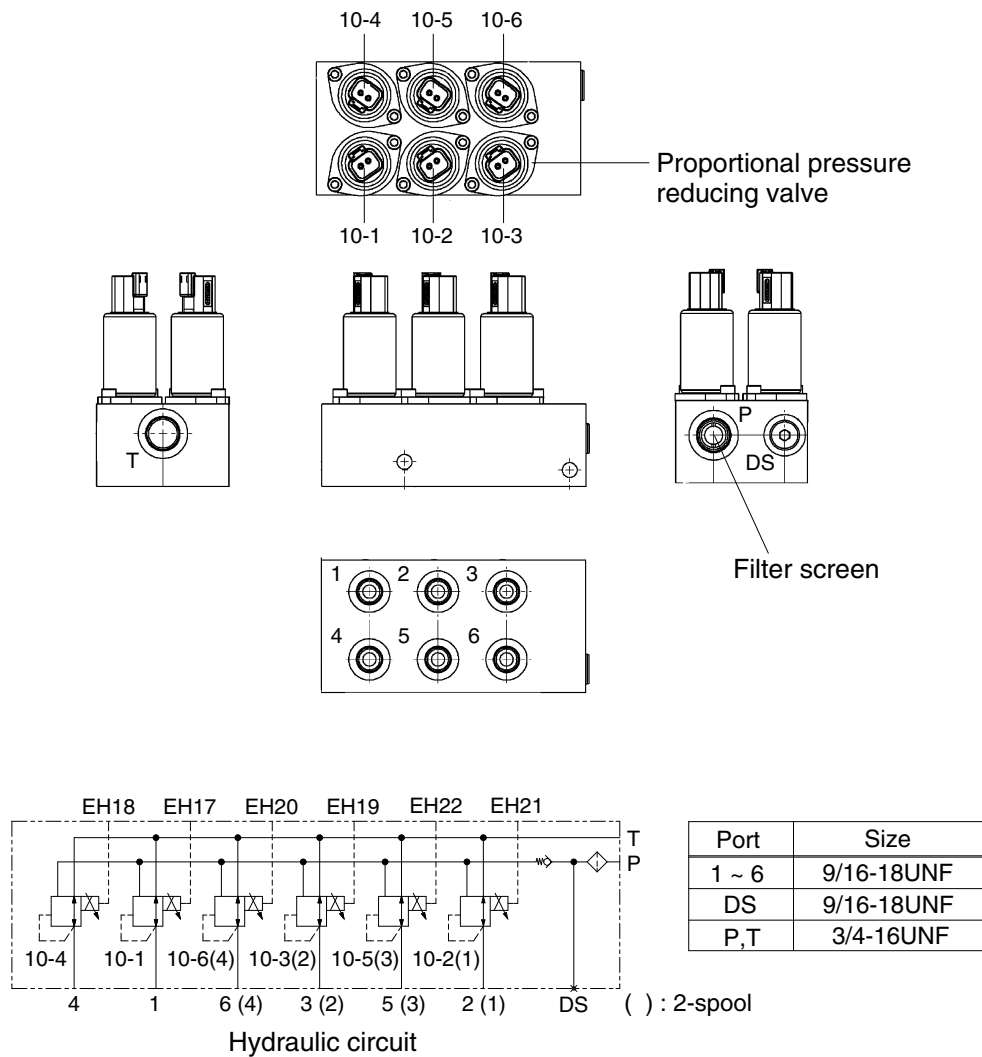
An additional spring (7), which is fitted below an additional plate (12) warns, by means of an increased force, which is required for compressing this spring, that the plunger (5) and the control lever (1) have almost reached their end position.

When this threshold is overcome, a ring (10) contacts the solenoid armature (11) ; if the solenoid is energized, then control lever (1) is held in its end position by magnetic force.

This lock is released automatically when the solenoid is deenergized.

## 6. EH (electro hydraulic) CONTROL BLOCK

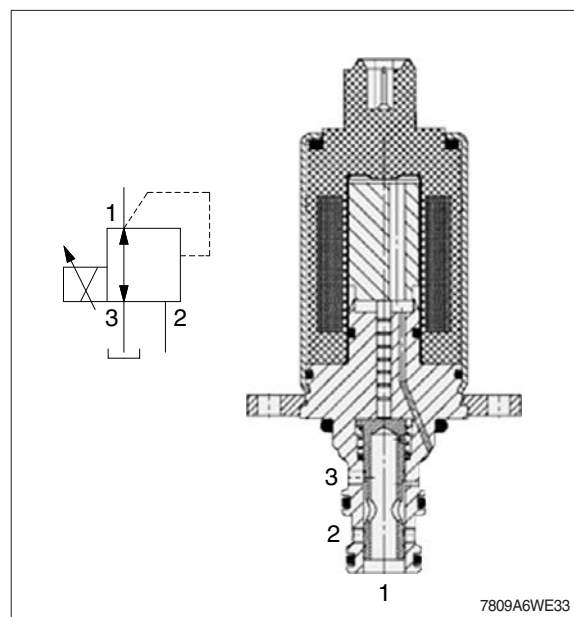
### 1) STRUCTURE



760F6WE33

### 2) OPERATION

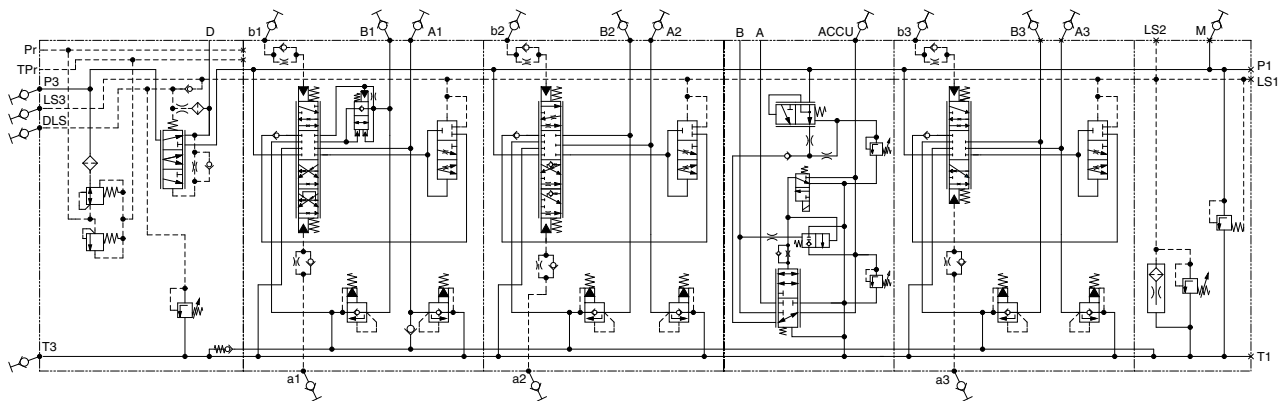
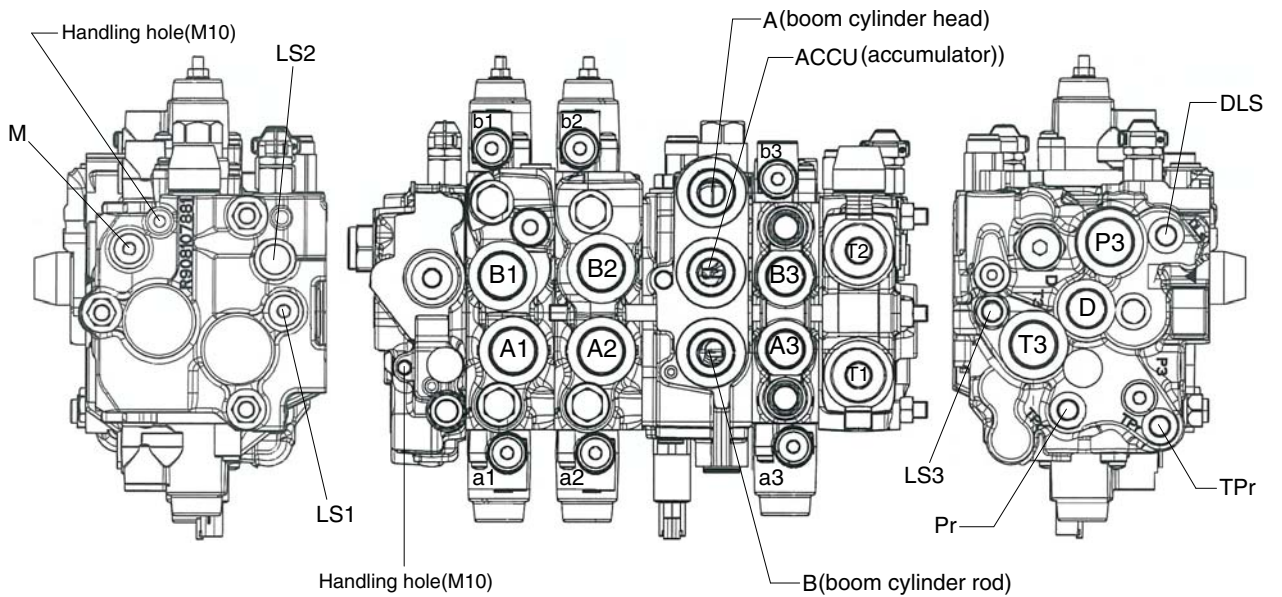
The proportional pressure reducing valve (10-1~6) is a direct-acting spool-type valve. When de-energized, port 2 is closed and port 1 (delivery) is connected to port 3 (tank). When the inlet pressure fluctuates it provides an almost constant outlet pressure depending on the energization of the coil. When the control current increases, the coil solenoid exerts a force on the control piston which is proportional to the control current and thereby defines the regulated pressure at port 1. This setting is proportional to the control current. Pressures at tank port 3 are additive to the set pressure. If, as a result of external factors, the pressure at port 1 rises above the preset pressure, the valve opens from port 1 to tank port 3.



7809A6WE33

## 7. MAIN CONTROL VALVE

### 1) STRUCTURE



Hydraulic circuit

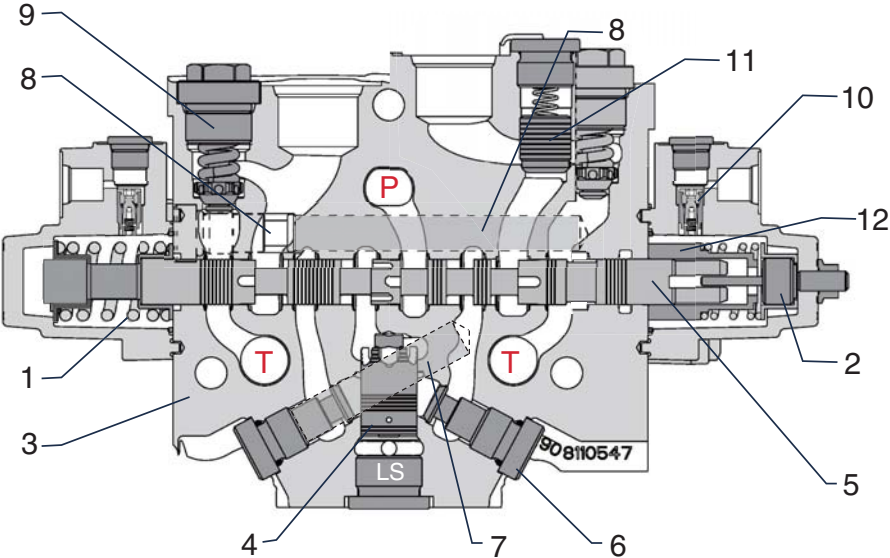
940A6WE31

Port	Port name	Port size	Port	Port name	Port size
P3	From main pump	1 5/16-12UNF	a3, b3	Auxiliary pilot port	9/16-18UNF
T3	To hydraulic tank	1 5/16-12UNF	LS3	Load sensing port	9/16-18UNF
A1, B1	To bucket cylinder port	1 5/16-12UNF	Pr	To RCV P port	-
A2, B2	To boom cylinder port	1 5/16-12UNF	DLS	To steering unit LS port	9/16-18UNF
A3, B3	To aux cylinder port	1 1/16-12UNF	D	To steering unit P port	1 1/16-12UNF
a1, b1	Bucket pilot port	9/16-18UNF	A, B, ACCU	-	1 5/16-12UNF
a2, b2	Boom pilot port	9/16-18UNF	LS1,2, M	-	Plugged



2) BOOM SECTION OPERATION

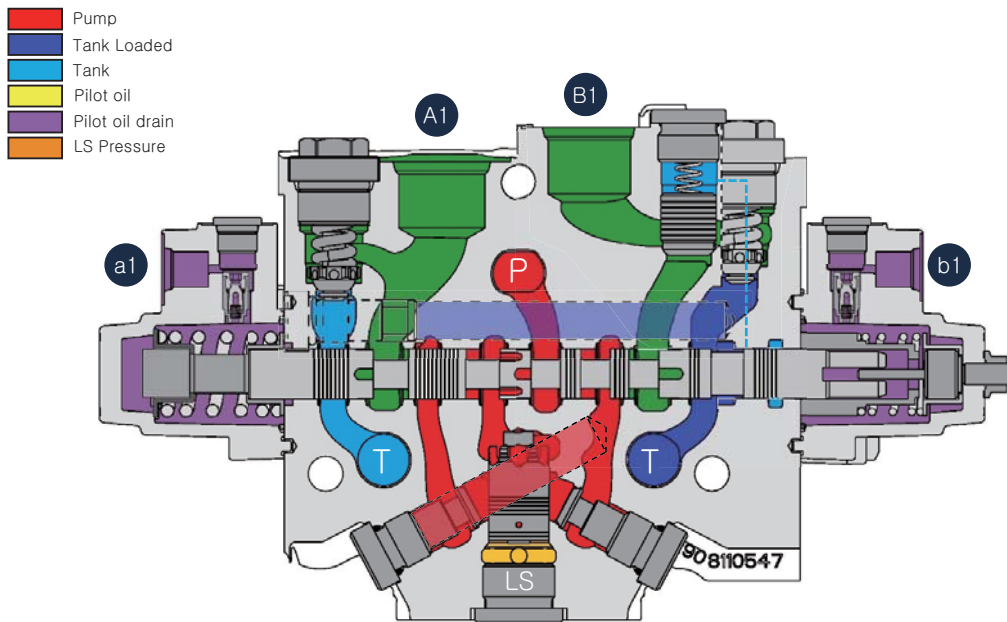
(1) Component description



940A6MI10

- |   |                            |    |                     |
|---|----------------------------|----|---------------------|
| 1 | Spring pack                | 7  | Bridge              |
| 2 | Anti-rotation device (opt) | 8  | Tankregen channel   |
| 3 | Housing                    | 9  | Relief valve        |
| 4 | Pressure compensator       | 10 | Snubber             |
| 5 | Spool                      | 11 | Low Leak poppet     |
| 6 | Check valve                | 12 | 4th position device |

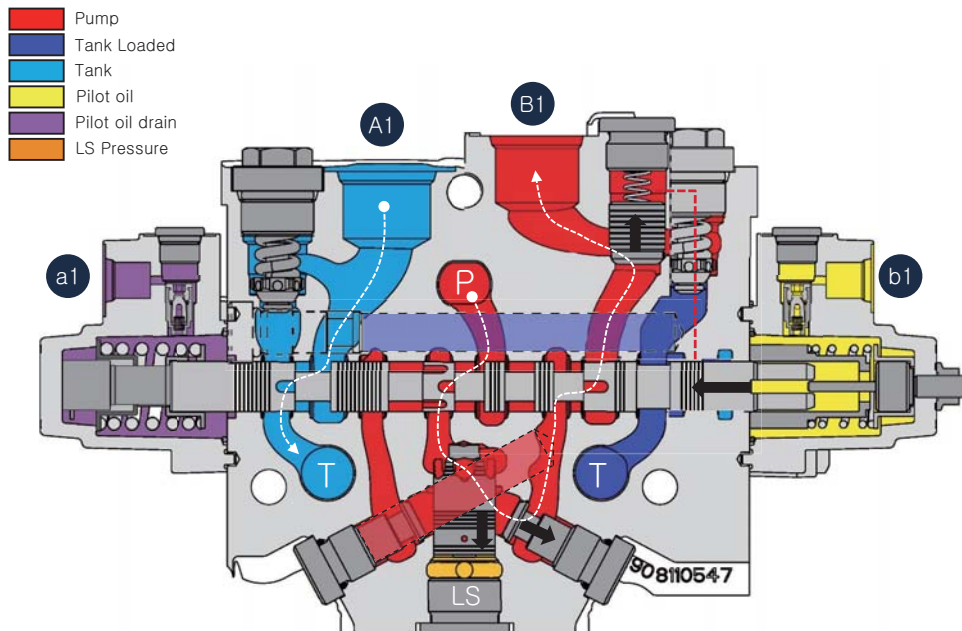
## (2) Boom neutral position



940A6WE12

The spool is in neutral position, pump is in low pressure stand-by. The A and B ports are not connected to the pumps nor the tank.

## (3) Boom raise position

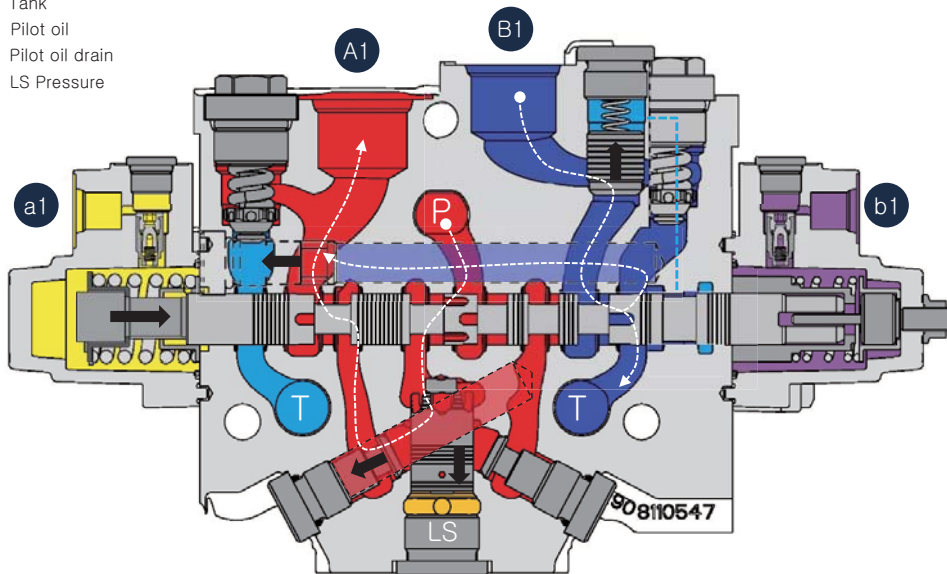


940A6WE12

When the pilot pressure is led to the port b1, the oil from the pump flows to the cylinder port B1 and oil from the cylinder flows into the tank through the cylinder port A1.

#### (4) Boom lower position

- Pump
- Tank Loaded
- Tank
- Pilot oil
- Pilot oil drain
- LS Pressure

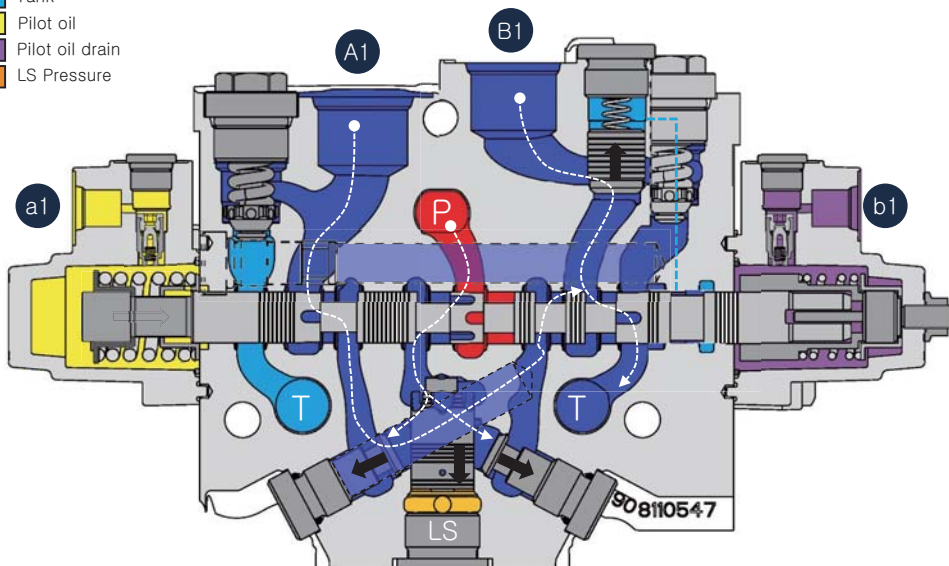


940A6WE14

When the pilot pressure is led to the port a1, the oil from the pump flows to the cylinder port A1 and oil from the cylinder flows into the tank through the cylinder port B1. If pressure in A1 becomes too low, flow from the tank avoid fullfilled A1 through tank regen channel.

#### (5) Boom float position

- Pump
- Tank Loaded
- Tank
- Pilot oil
- Pilot oil drain
- LS Pressure

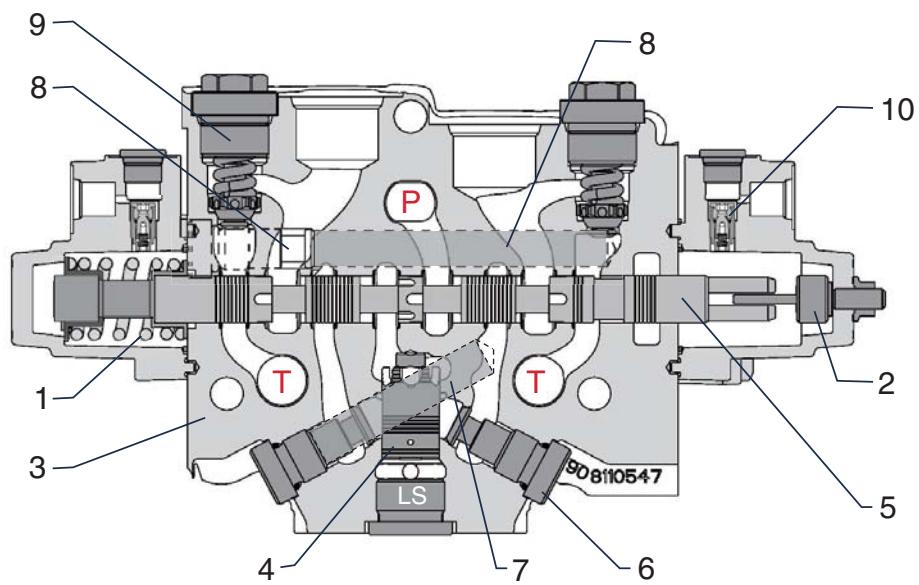


940A6WE15

When the pilot pressure is led to the port a1 in 4th position, the oil from the pump flows to the cylinder port A1 & A1 and oil from the cylinder flows into the tank through the cylinder port B1 & A1 to let cylinder free of movement.

## 2) BUCKET SECTION OPERATION

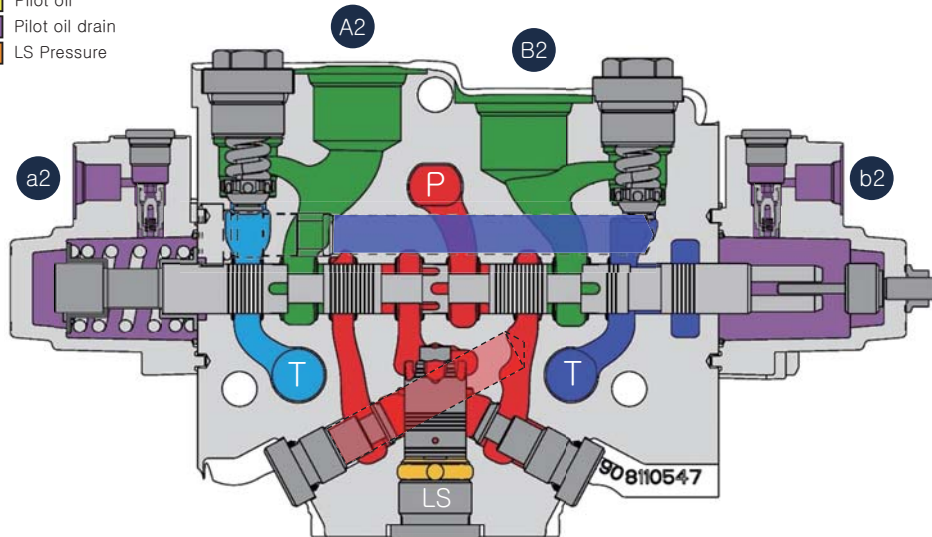
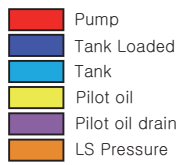
### (1) Component description



940A6MI16

- |   |                            |    |                   |
|---|----------------------------|----|-------------------|
| 1 | Spring pack                | 7  | Bridge            |
| 2 | Anti-rotation device (opt) | 8  | Tankregen channel |
| 3 | Housing                    | 9  | Relief valve      |
| 4 | Pressure compensator       | 10 | Snubber           |
| 5 | Spool                      |    |                   |
| 6 | Check valve                |    |                   |

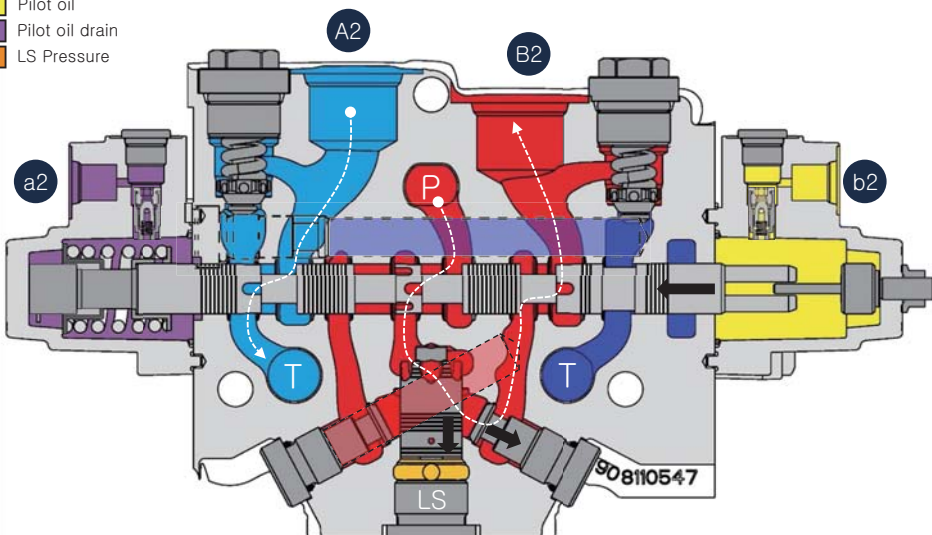
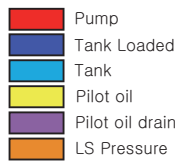
## (2) Bucket neutral position



940A6WE17

The spool is in neutral position, pump is in low pressure stand-by. The A and B ports are not connected to the pumps nor the tank.

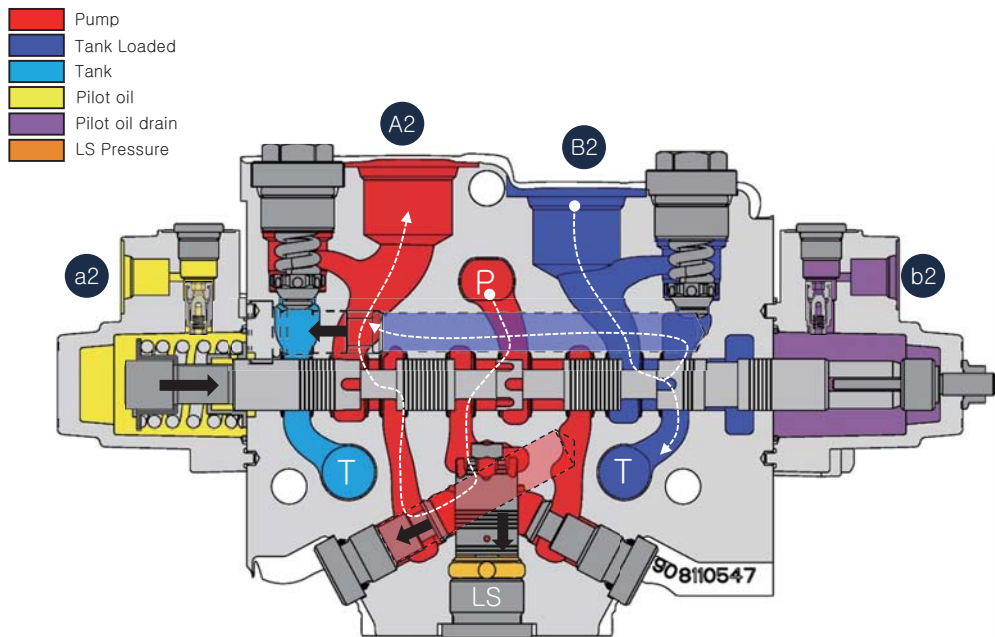
## (3) Bucket roll back (retract) position



940A6WE18

When the pilot pressure is led to the port b2, the oil from the pump flows to the cylinder port B2 and oil from the cylinder flows into the tank through the cylinder port A2.

#### (4) Bucket dump position

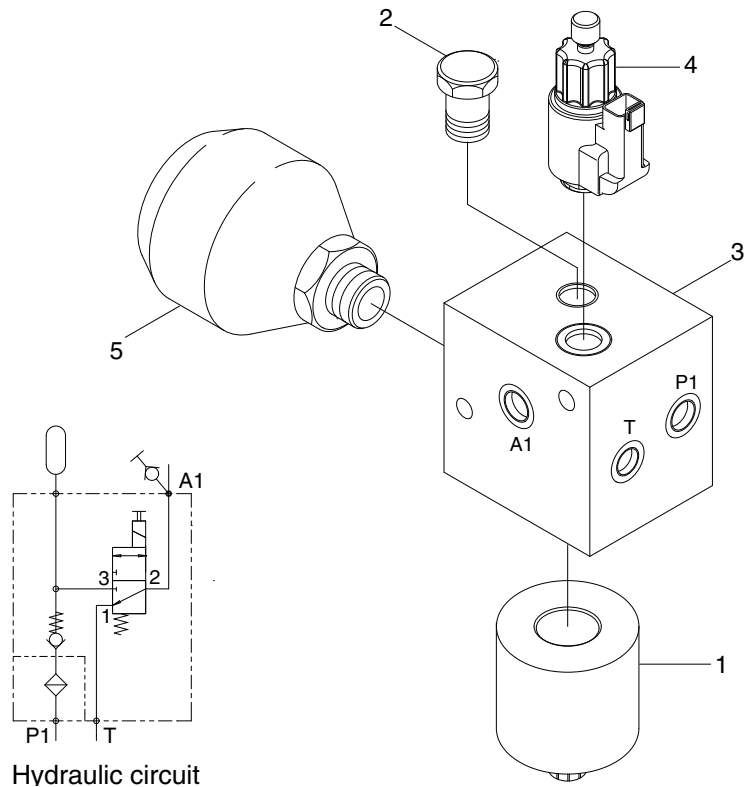


940A6WE19

When the pilot pressure is led to the port a2, the oil from the pump flows to the cylinder port A2 and oil from the cylinder flows into the tank through the cylinder port B2. If pressure in A2 becomes too low, flow from the tank fullfilled A2 through tank regen channel.

## 8. SAFETY VALVE

### 1) STRUCTURE



Port	Port name	Port size
P1	From MCU	PF 3/8"
A1	Supply to RCV lever	PF 1/4"
T	To hydraulic tank	PF 1/4"

75796WE16

- |   |                       |   |                |
|---|-----------------------|---|----------------|
| 1 | Bowl and element assy | 4 | Solenoid valve |
| 2 | Check valve           | 5 | Accumulator    |
| 3 | Cartridge             |   |                |

### 2) OPERATION

This valve is used to cut off the pilot circuit.

When the pilot cut off switch in the cab is pressed to ON position, the solenoid valve is activated and then the pilot oil flow into the pilot circuit.

The accumulator satisfied short term peak power demands and is a source of emergency power in case of main circuit pressure failures.

## 9. BOOM AND BUCKET CYLINDER

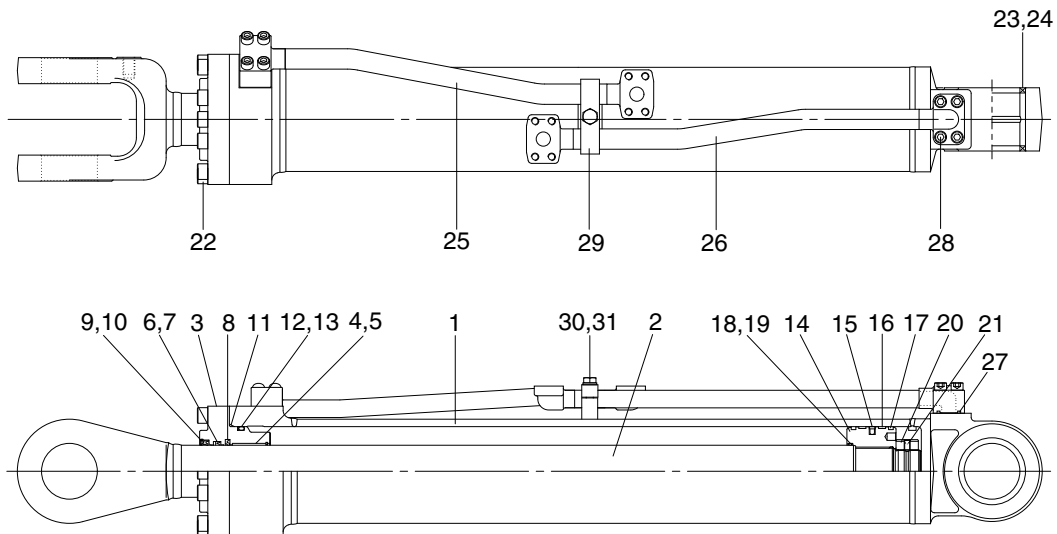
The boom cylinders are two unit and the bucket cylinder is one unit. They use a bolt on rod guide.

The piston (14) threads on to the rod (2) and is retained by a nut (20) and set screw (21).

The piston seals against the tube (1) with piston seal (15). Two wear rings (16) are located on each side of the piston seal.

The gland (3, the rod guide) seals against the tube with an O-ring (12). The cylinder thread seals against the rod with a lip type buffer ring (8) and a rod seal (5). A dust wiper (9) cleans the rod when it is retracted.

### 1) BOOM CYLINDER (HL930A, HL930A TM)

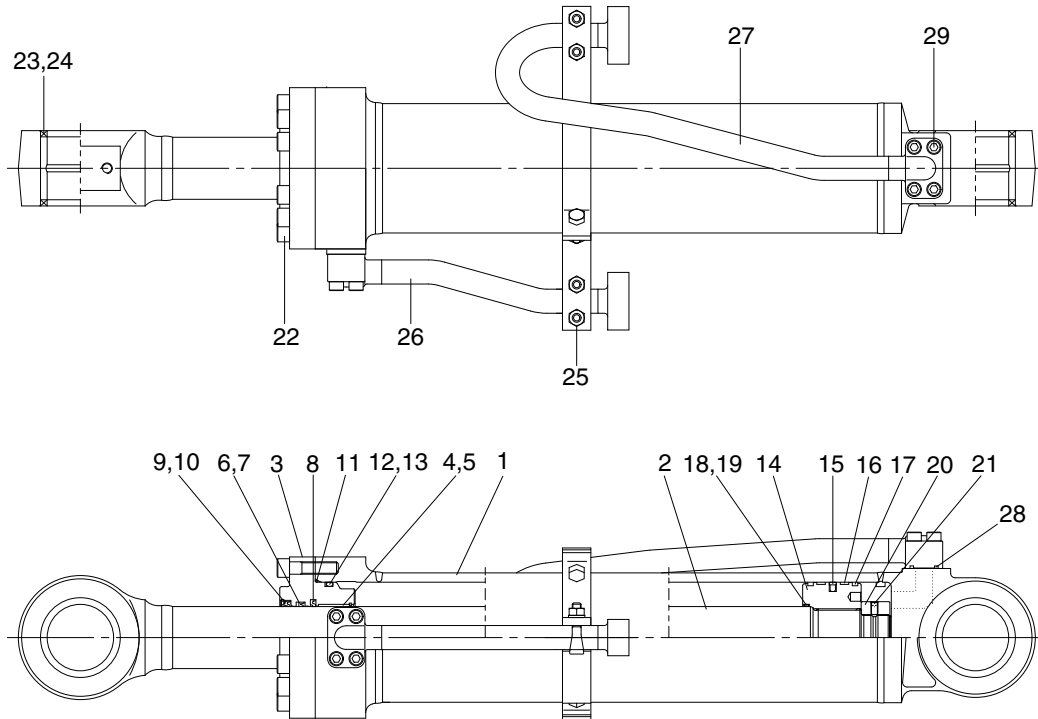


930A6WE17

1	Tube assembly	12	O-ring	23	Bushing
2	Rod assembly	13	Back up ring	24	Dust seal
3	Gland	14	Piston	25	Pipe assembly
4	Bushing	15	Piston seal	26	Pipe assembly
5	Snap ring	16	Wear ring	27	O-ring
6	Rod seal	17	Dust ring	28	Bolt
7	Back up ring	18	O-ring	29	Clamp
8	Buffer ring	19	Back up ring	30	Bolt
9	Dust wiper	20	Lock nut	31	Spring washer
10	Snap ring	21	Set screw		
11	O-ring	22	Bolt		



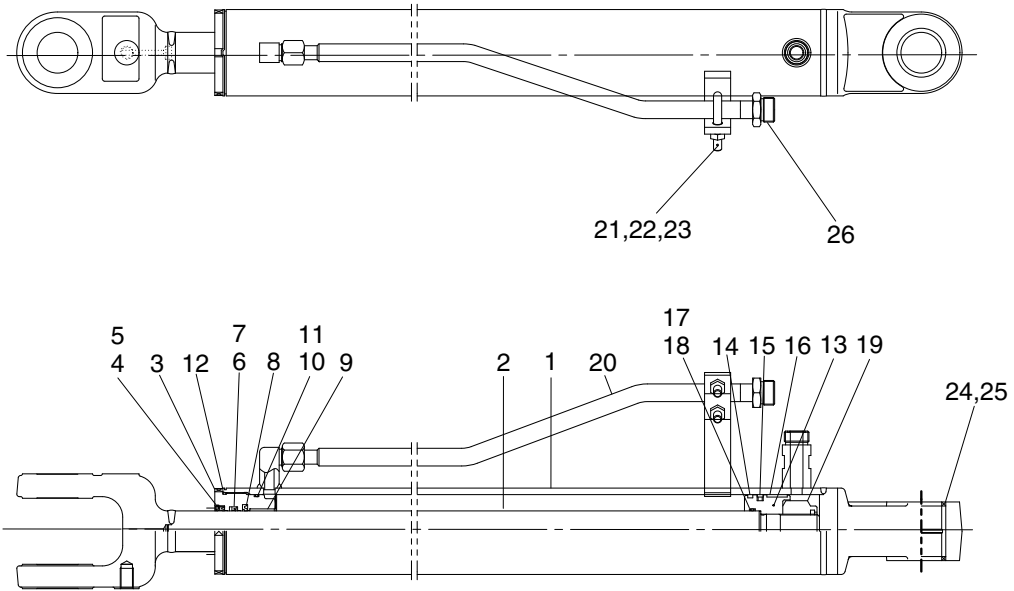
## 2) BUCKET CYLINDER (HL930A)



930A6WE22

- |    |               |    |              |    |               |
|----|---------------|----|--------------|----|---------------|
| 1  | Tube assembly | 11 | O-ring       | 21 | Set screw     |
| 2  | Rod assembly  | 12 | O-ring       | 22 | Bolt          |
| 3  | Gland         | 13 | Back up ring | 23 | Bushing       |
| 4  | Bushing       | 14 | Piston       | 24 | Dust seal     |
| 5  | Snap ring     | 15 | Piston seal  | 25 | Band assembly |
| 6  | Rod seal      | 16 | Wear ring    | 26 | Pipe assembly |
| 7  | Back up ring  | 17 | Dust ring    | 27 | Pipe assembly |
| 8  | Buffer ring   | 18 | O-ring       | 28 | O-ring        |
| 9  | Dust wiper    | 19 | Back up ring | 29 | Bolt          |
| 10 | Snap ring     | 20 | Lock nut     |    |               |

### 3) BUCKET CYLINDER (HL930A TM)



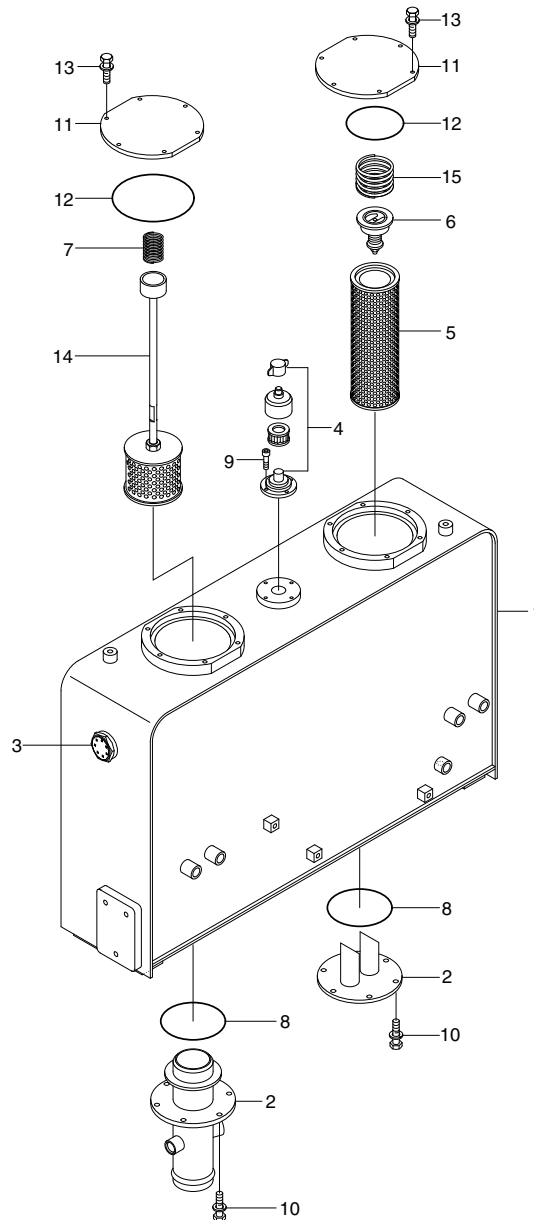
930A6WE22A

- |    |               |    |               |    |               |
|----|---------------|----|---------------|----|---------------|
| 1  | Tube assembly | 11 | Back up ring  | 21 | U-bolt        |
| 2  | Rod assembly  | 12 | O-ring        | 22 | Nut           |
| 3  | Gland         | 13 | Piston        | 23 | Spring washer |
| 4  | Dust wiper    | 14 | Dust ring     | 24 | Pin bush      |
| 5  | Retain ring   | 15 | Piston seal   | 25 | Dust seal     |
| 6  | Rod seal      | 16 | Wear ring     | 26 | O-ring        |
| 7  | Back up ring  | 17 | O-ring        |    |               |
| 8  | Buffer ring   | 18 | Back up ring  |    |               |
| 9  | Dry bearing   | 19 | Nylon nut     |    |               |
| 10 | O-ring        | 20 | Pipe assembly |    |               |

## 10. HYDRAULIC OIL TANK

### 1) STRUCTURE

- The oil from the hydraulic tank is sent from the pump through main control valve to the cylinders. In the return circuit, the oil from various parts merges.
- A part of oil is cooled in the oil cooler, passes through the hydraulic filter and returns to the hydraulic tank (1).
- If the hydraulic return oil filter becomes clogged, return filter bypass valve (6) acts to allow the oil to return directly to the hydraulic tank (1). This prevents damage to the hydraulic filter (5). The bypass valve (6) is also actuated when negative pressure is generated in the circuit.



930A6WE23

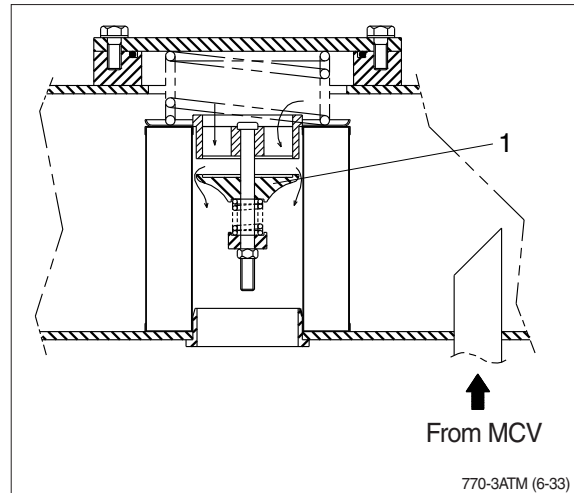
1	Hydraulic tank wa	6	Bypass valve	11	Cover
2	Pipe wa	7	Spring	12	O-ring
3	Sight gauge	8	O-ring	13	Bolt
4	Air breather	9	Socket bolt	14	Strainer
5	Element assembly	10	Bolt	15	Spring

## 2) RETURN OIL FILTER BYPASS VALVE

### (1) When the filter is clogged

Bypass valve (1) is opened and the oil returns directly to the tank without passing through the filter.

- Bypass valve set pressure : 1.36 kg/cm<sup>2</sup>  
(19.3 psi)



### 3) AIR BREATHER

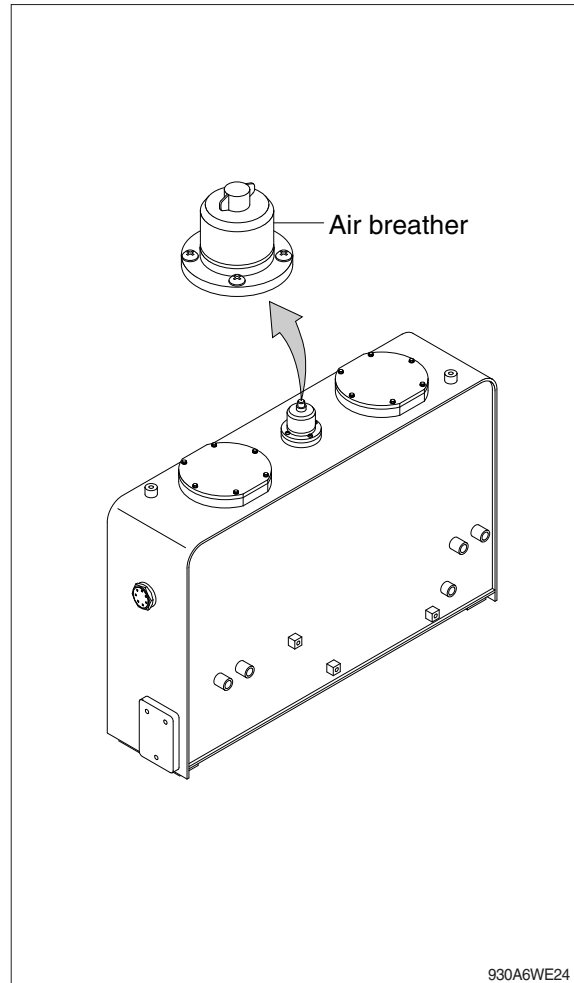
The air breather is equipped with the capacity to perform three functions simultaneously-as an air filter, breathing valve, and as a lubrication opening.

#### (1) Preventing negative pressure inside the tank

The tank is a pressurized sealed type, so negative pressure is formed inside the hydraulic tank when the oil level drops during operations. When this happens, the difference in pressure between the tank and the outside atmospheric pressure opens the poppet in the breather, and air from the outside is let into the tank or prevent negative pressure.

#### (2) Preventing excessive pressure inside the tank

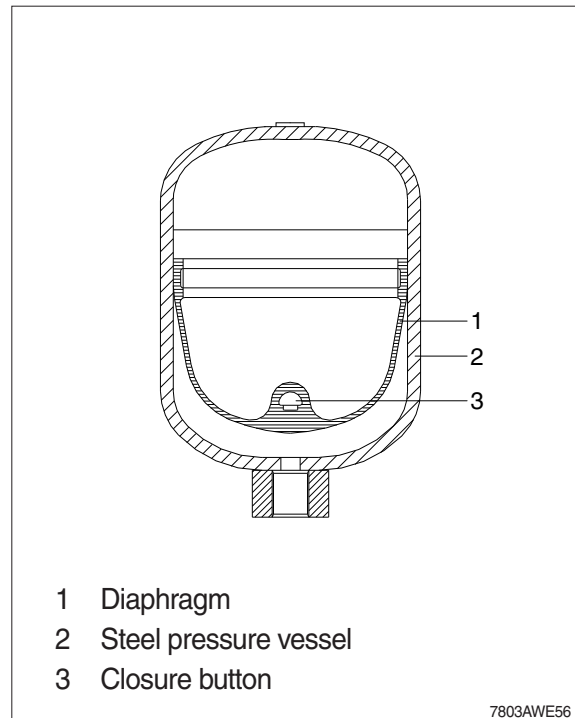
When the hydraulic cylinder is being used, the oil level in the hydraulic system increases and as temperature rises. If the hydraulic pressure rises above the set pressure, breather is actuated to release the hydraulic pressure inside the tank.



## 11. ACCUMULATOR

The accumulator is installed at the safety valve. When the boom is left the raised position, and the control levers are operated with the engine stopped the pressure of the compressed nitrogen gas inside the accumulator sends pilot pressure to the control valve to actuate it and allow the boom and bucket to come down under their own weight.

Type of gas	Nitrogen gas (N <sub>2</sub> )
Volume of gas	0.75 ℓ (0.2 U.S.gal)
Charging pressure of gas	16 kg/cm <sup>2</sup> (228 psi)
Max actuating pressure	128 kg/m <sup>2</sup> (1820 psi)



## 12. RIDE CONTROL SYSTEM (option)

### 1) ACCUMULATORS

#### (1) Pre-charging

Use an inert gas such as nitrogen for pre-charging accumulator.

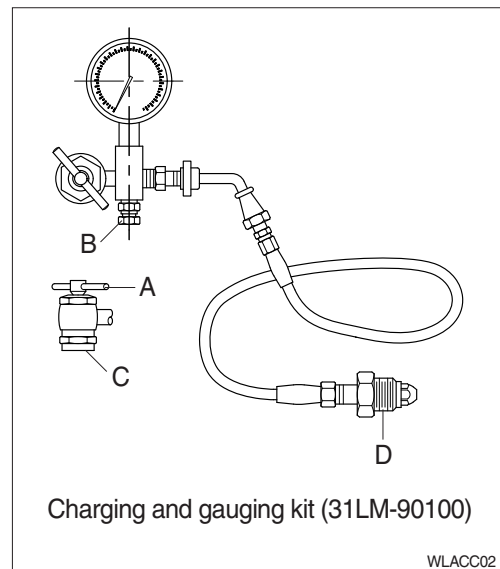
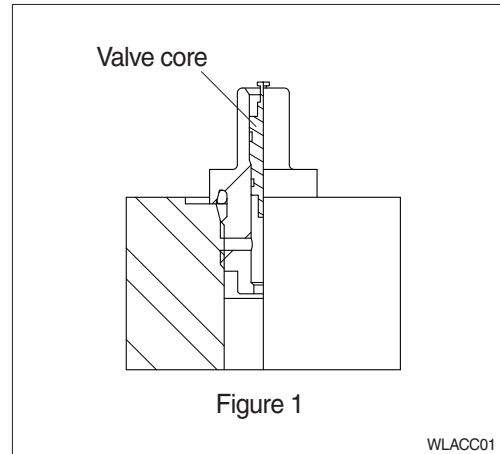
- ※ Do not use oxygen or shop air.
- ※ Nitrogen source and all components must be rated for a pressure at least as high as the nitrogen source.

#### Accumulator having gas valve as per figure 1.

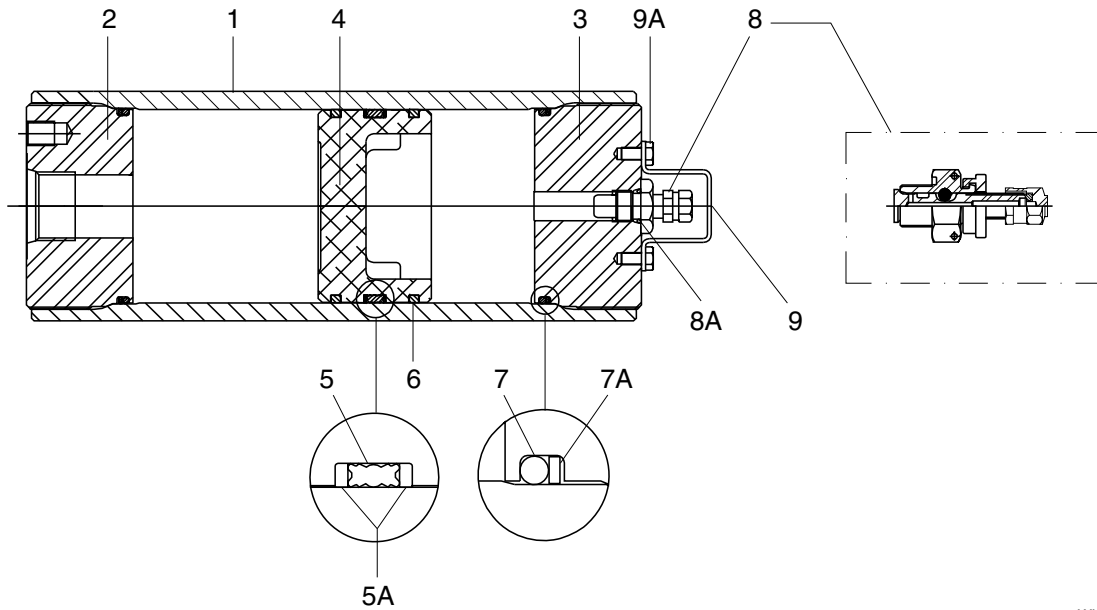
- ① Remove gas valve guard and gas valve cap.
- ② Back gas chuck "T" handle (A) all the way out (counter clockwise) before attaching charging & gauging kit to accumulator gas valve.
- ③ Close bleed valve (B).
- ④ Making sure not to loop or twist the hose, attach swivel nut (C) to gas valve and tighten 11.5~17 kgf-cm (10~15 lbf-ft).
- ⑤ Turn gas chuck "T" handle (A) until the gauge starts showing the pressure in the accumulator. Do not turn the "T" handle all the way down, as it will damage the valve core.
- ⑥ Crack open nitrogen bottle valve (D) and **slowly** fill accumulator. Shut off when gauge indicates desired pre-charge.
- ⑦ Let the pre-charge set for 10 to 15 minutes. This will allow the gas temperature to stabilize. If the desired pre-charge is exceeded, close nitrogen bottle valve (D), then slowly open bleed valve (B). Do not reduce pre-charge by depressing valve core with a foreign object. High pressure may rupture rubber valve seat.
- ⑧ When finished pre-charging accumulator, turn "T" handle (A) all the way out on gas chuck, then open bleed valve (B).
- ⑨ Hold gas valve to keep from turning, loosen swivel nut (C), remove assembly. Check for pre-charge leak using a common leak reactant.
- ⑩ Replace gas valve cap 11.5~17 kgf-cm (10~15 lbf-ft) and valve guard. (Gas valve cap serves as a secondary seal.)

#### (2) Pre-charge checking procedure

Using appropriate valve in the hydraulic system, discharge all oil from accumulator and allow piston to bottom against hydraulic end cap.



### (3) Structure



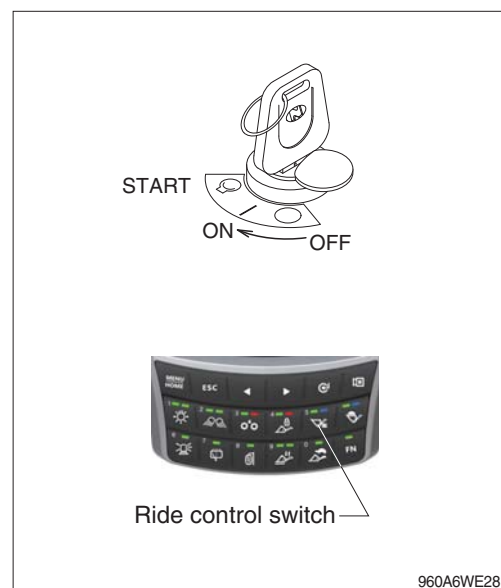
WLACC03

- |   |               |    |                          |    |                  |
|---|---------------|----|--------------------------|----|------------------|
| 1 | Body          | 5A | V-O-ring back-up washers | 8A | Gas valve O-ring |
| 2 | Hydraulic cap | 6  | Piston ring (piston)     | 9  | Gas valve guard  |
| 3 | Gas cap       | 7  | O-ring                   | 9A | Screw            |
| 4 | Piston        | 7A | O-ring back-up washer    |    |                  |
| 5 | V-O-ring      | 8  | Gas valve                |    |                  |

## 2) REMOVE FROM HYDRAULIC SYSTEM

### ⚠ Attention

- 1) Before carrying out any maintenance work the accumulators must be unloaded (zero pressure).
- 2) Bucket should be lade on the ground.
- 3) Turn the starting switch to ON position and press the ride control switch on monitor to operate ride control function.
- 4) Lower the boom to the position of down or floating to release the charged oil in accumulators.



960A6WE28



## GROUP 2 OPERATIONAL CHECKS AND TROUBLESHOOTING

### 1. OPERATIONAL CHECKS

This procedure is designed so the mechanic can make a quick check of the system using a minimum amount of diagnostic equipment. If you need additional information, read structure and function, Group 1.

A location will be required which is level and has adequate space to complete the checks.

The engine and all other major components must be at operating temperature for some checks.


Locate system check in the left column and read completely, following the sequence from left to right. Read each check completely before performing.

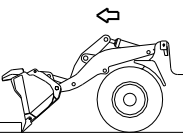
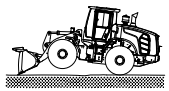
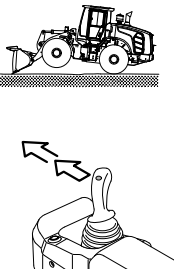
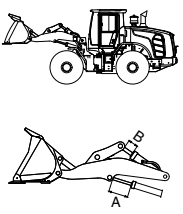
At the end of each check, if no problem is found (OK), that check is complete or an additional check is needed. If problem is indicated (NOT OK), you will be given repair required and group location.

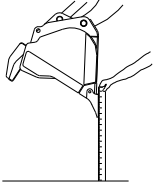
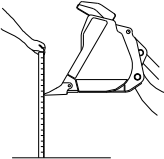
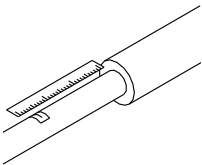
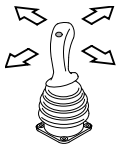
If verification is needed, you will be given next best source of information:

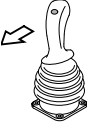
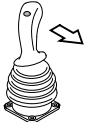
- Chapter 2 : Troubleshooting
- Group 3 : Tests and adjustments

※ Hydraulic oil must be at operating temperature for these checks (refer to page 6-51).

Item	Description	Service action
<p><b>Hydraulic system warm-up procedure</b> Run engine at high idle. Refer to page 6-51.</p>	<p>Hold a hydraulic function over relief to heat oil. (don't keep relief condition over 5 seconds at a time)</p> <p>Periodically cycle all hydraulic functions to distribute warm oil.</p> <p>Repeat procedure until oil is at operating temperature.</p> <p><b>FEEL</b> : Hydraulic reservoir must be uncomfortable to hold your hand against. (approximately 40 ~50°C)</p>	<p><b>OK</b> Check completed.</p>
<p><b>Hydraulic pump performance check</b> Heat hydraulic oil to operating temperature. Run engine at high idle.</p>	<p>With bucket flat on ground, actuate boom raise. Time how long it takes to raise boom to full height.</p> <p><b>LOOK</b> : Boom must raise to full height in less than 7 seconds.</p>	<p><b>OK</b> Check completed.</p> <p><b>NOT OK</b> Go to priority valve (in main control valve) high pressure check.</p> <p><b>IF OK</b> Do steering system leakage check at page 5-19.</p> <p><b>IF OK</b> Do main hydraulic pump flow test at page 6-52.</p>
<p><b>Control valve lift check</b> Run machine at low idle.</p>	 <p>With bucket partially dumped, lower boom to raise front of machine.</p> <p>Slowly move boom control lever (RCV lever) to boom lower position.</p> <p>Slowly move bucket control lever to bucket dump position.</p> <p><b>LOOK</b> : Boom must not raise before moving down.</p> <p>Bucket must not rollback before dumping.</p>	<p><b>OK</b> Check complete.</p> <p><b>NOT OK</b> Repair lift checks in loader control valve.</p>

Item	Description	Service action
<b>Bucket rollback circuit relief valve check</b>	 <p>Position bucket at a 45° angle against an immovable object.</p> <p>Engage transmission in 3rd speed forward.</p> <p><b>LOOK</b> : Bucket angle must not change.</p>	<p><b>OK</b> Check complete.</p> <p><b>NOT OK</b> Replace boom lower check valve.</p>
<b>Bucket dump circuit relief valve low pressure check</b>	 <p>Raise front of machine which bucket at 45° angle.</p> <p>Backdrag with bucket while observing bucket angle.</p> <p><b>LOOK</b> : Bucket must not rollback</p>	<p><b>OK</b> Go to next check.</p> <p><b>NOT OK</b> Do loader system and circuit relief valve test at page 6-53.</p>
<b>Pilot control valve float check</b> Run engine at low idle.	 <p>With the bucket partially dumped, lower boom to raise front of machine.</p> <p>Push control lever to the float detent position and release lever.</p> <p><b>LOOK</b> : Front of machine lower to the ground and valve must remain in float position when lever is released.</p>	<p><b>OK</b> Check complete.</p> <p><b>NOT OK</b> Do pilot control valve pressure test in group 3.</p>
<b>Boom cylinder and bucket cylinder drift check</b> Heat hydraulic oil to operating temperature.	 <p>Set the boom and bucket horizontal, then stop the engine.</p> <p>Stop the engine, wait for 5 minutes, then start measuring.</p> <p>Measure the amount the lift and dump cylinder rods retract during 15 minutes. (unloaded bucket)</p> <p>A : Retraction of boom cylinder rod</p> <p>B : Retraction of bucket cylinder rod</p> <p>Boom cylinder must drift less than 15 mm</p> <p>Bucket cylinder must drift less than 15mm</p>	<p><b>OK</b> Check complete.</p> <p><b>NOT OK</b> Go to next check.</p>

Item	Description	Service action
<p><b>Boom cylinder leakage check</b></p> <p>Heat hydraulic oil to operating temperature.</p>	 <p>Dump bucket until teeth or cutting edge is perpendicular to the ground.</p> <p>Raise boom until cutting edge is about 1 m (3 ft) above ground.</p> <p>Stop engine. Measure drift from tooth or cutting edge to ground for 1 minute.</p> <p>Wait 10 minutes.</p> <p>Measure drift from tooth or cutting edge to ground for 1 minute.</p> <p><b>LOOK</b> : Compare the drift rate between the first measurement and the second measurement.</p>	<p><b>OK</b></p> <p>Drift is approximately the same between first and second measurement.</p> <p>Repair loader control valve or circuit relief valve.</p> <p><b>NOT OK</b></p> <p>If drift is considerably less on second measurement, repair cylinder.</p>
<p><b>Bucket cylinder leakage check</b></p> <p>Heat hydraulic oil to operating temperature.</p>	 <p>Raise bucket about 1 m (3 ft) off ground with bucket level.</p> <p>Stop engine. Place a support under boom.</p> <p>Measure drift from tooth or cutting edge to ground for 1 minute.</p> <p>Wait 10 minutes.</p> <p>Measure drift from tooth or cutting edge to ground for 1 minute.</p> <p><b>LOOK</b> : Compare the drift rates between the first measurement and the second measurement.</p>	<p><b>OK</b></p> <p>Drift is approximately the same between first and second measurement.</p> <p>Repair loader control valve or circuit relief valve at page 6-53.</p> <p><b>NOT OK</b></p> <p>Drift is considerably less on second measurement.</p> <p>Repair cylinder.</p>
<p><b>Check valve of safety valve leakage check</b></p> <p>Heat hydraulic oil to operating temperature.</p>	 <p>Put bucket level and position about 1.2 m (4 ft) above ground.</p> <p>Place a piece of tape on cylinder rod at least 51 mm (2 in) from rod guide.</p> <p>Run engine at low idle in safety-release position.</p> <p><b>LOOK</b> : Bucket must not drift up.</p>	<p><b>OK</b></p> <p>Check complete.</p> <p><b>NOT OK</b></p> <p>Check or replace safety valve.</p>
<p><b>Pilot control valve (RCV lever) check</b></p>	 <p>Stop engine. Turn key switch to OFF position.</p> <p>Move control lever to all positions and then release.</p> <p><b>LOOK</b> : Lever must return to neutral when released from all positions.</p>	<p><b>OK</b></p> <p>Check completed.</p> <p><b>NOT OK</b></p> <p>Repair pilot control valve.</p>

Item	Description	Service action												
<p><b>Bucket leveler (positioner) check</b></p> <p>Run engine at low idle.</p>	 <p>Position bucket fully dumped just above ground level.</p> <p>Move control lever to bucket leveler detent position and release.</p> <p><b>LOOK</b> : Bucket must rollback to the level position and control lever must return to neutral.</p> <p>If bucket is in a rolled back position when key is turned ON, control lever must be returned to neutral manually if placed in the bucket leveler detent position.</p> <p>After bucket is dumped once, bucket leveler will work normally.</p>	<p><b>OK</b> Check complete.</p> <p><b>NOT OK</b> Do bucket leveler checks.</p>												
<p><b>Boom height kickout check</b></p> <p>Run engine at low idle.</p>	 <p>Position bucket flat on ground.</p> <p>Move control lever to boom raise detent position and release.</p> <p><b>LOOK</b> : Boom must raise to the set height and stop.</p> <p>Control lever must return to neutral.</p>	<p><b>OK</b> Check complete.</p> <p><b>NOT OK</b> Do boom height kickout check.</p>												
<p><b>Cycle time check</b></p> <p>Heat hydraulic oil to operating temperature. Run engine at high idle.</p>	<table border="0"> <tr> <td data-bbox="507 1057 676 1088">Function</td> <td data-bbox="724 1057 944 1088">Operating condition.</td> </tr> <tr> <td data-bbox="507 1106 632 1137">Boom raise</td> <td data-bbox="724 1106 1093 1137">Bucket flat on ground to full height.</td> </tr> <tr> <td data-bbox="507 1155 632 1187">Boom lower</td> <td data-bbox="724 1155 1008 1187">Full height to level ground.</td> </tr> <tr> <td data-bbox="507 1205 647 1236">Bucket dump</td> <td data-bbox="724 1205 935 1236">Boom at full height.</td> </tr> <tr> <td data-bbox="507 1254 673 1285">Bucket rollback</td> <td data-bbox="724 1254 935 1285">Boom at full height.</td> </tr> <tr> <td data-bbox="507 1303 676 1361">Steering [No. of turns]</td> <td data-bbox="724 1303 1002 1335">Frame stop to frame stop.</td> </tr> </table>	Function	Operating condition.	Boom raise	Bucket flat on ground to full height.	Boom lower	Full height to level ground.	Bucket dump	Boom at full height.	Bucket rollback	Boom at full height.	Steering [No. of turns]	Frame stop to frame stop.	<p>Maximum cycle time</p> <p>5.8 sec</p> <p>3.6 sec</p> <p>1.5 sec (2.0 sec)</p> <p>1.8 sec (2.6 sec)</p> <p>3.8 turns</p> <p>( ) : HL930A TM</p> <p><b>OK</b> Check complete.</p> <p><b>NOT OK</b> Go to slow hydraulic functions in group 2.</p>
Function	Operating condition.													
Boom raise	Bucket flat on ground to full height.													
Boom lower	Full height to level ground.													
Bucket dump	Boom at full height.													
Bucket rollback	Boom at full height.													
Steering [No. of turns]	Frame stop to frame stop.													

## ※ MEASURING BOOM AND BUCKET CYCLE TIME

### 1) MEASUREMENT CONDITION

- Coolant temperature : Inside operating range
- Steering position : Neutral
- Hydraulic temperature : 40~50°C
- Bucket : Unloaded
- Engine speed : High idling

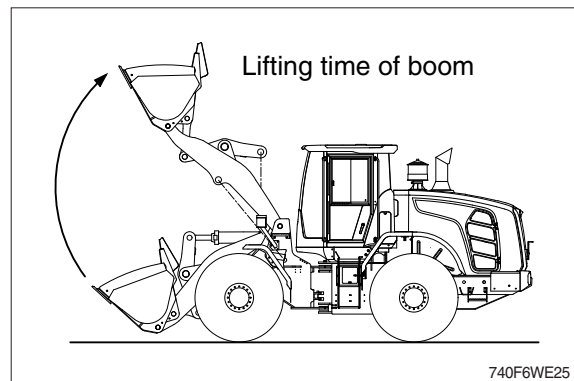
### 2) MEASURING TOOL

- Stop watch (1EA)

### 3) MEASURING PROCEDURE

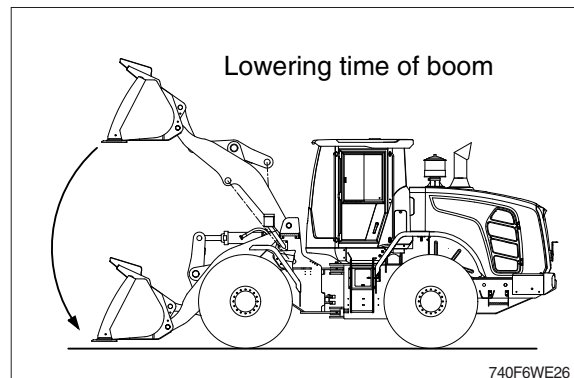
#### (1) LIFTING TIME OF BOOM

Set the bucket near the maximum tilt back position and at the lowest position on the ground. Raise the bucket and measure the time taken for bucket to reach the maximum height of the boom.



#### (2) LOWERING TIME OF BOOM

Set the bucket horizontal with the boom at the maximum height, lower the bucket and measure the taken for the bucket to reach the lowest position on the ground.

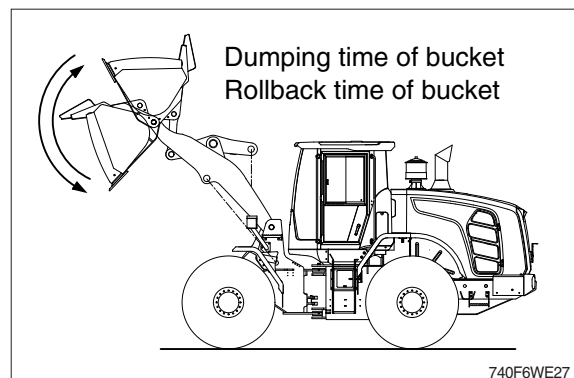


#### (3) DUMPING TIME OF BUCKET

Raise the boom to the maximum height and measure the time taken for the bucket to move from the maximum tilt back position to the maximum dump position

#### (4) ROLL BACK TIME OF BUCKET

Raise the boom to the maximum height and measure the time taken for the bucket to reach the maximum tilt back position.



## 2. TROUBLESHOOTING

※ Diagnose malfunction charts are arranged from most probable and simplest to verify, to least likely, more difficult to verify. Remember the following steps when troubleshooting a problem :

Step 1. Operational check out procedure (see section 1)

Step 2. Operational checks (see group 2)

Step 3. Troubleshooting

Step 4. Tests and adjustments (see group 3)

Problem	Cause	Remedy
<b>Noisy hydraulic pump</b>	<p>Low oil supply or wrong viscosity.</p> <p>Plugged or pinched suction line.</p> <p>Air in oil.</p> <p>Plugged suction strainer.</p> <p>Loose or missing hydraulic line clamps.</p> <p>Hydraulic lines in contact with frame.</p> <p>Worn or damaged pump.</p>	<p>Fill reservoir with recommended oil.</p> <p>Clean or replace line.</p> <p>Check for foamy oil.</p> <p>Tighten connections.</p> <p>Replace O-rings and or lines.</p> <p>Inspect and clean strainer in reservoir.</p> <p>Tighten or replace clamps.</p> <p>Inspect and repair.</p> <p>Do hydraulic pump performance check in group 2.</p> <p>Do hydraulic pump flow test in group 3.</p>
<b>No or Slow hydraulic functions</b>	<p>Failed or worn hydraulic pump.</p> <p>Cold oil.</p> <p>Slow engine speed.</p> <p>Suction line air leak.</p> <p>Low oil supply.</p> <p>Wrong oil viscosity.</p> <p>Oil leaking past cylinders or control valve.</p> <p>Blocked or damaged line.</p> <p>Binding loader control valve (MCV) spool.</p> <p>Faulty steering unit.</p>	<p>Do performance check.</p> <p>Warm oil up.</p> <p>Adjust engine speed.</p> <p>Check high idle speed.</p> <p>Check for foamy oil.</p> <p>Add recommended oil.</p> <p>Use recommended oil.</p> <p>Check cylinder drift in group 2.</p> <p>Inspect lines.</p> <p>Inspect valve.</p> <p>Check steering unit specification.</p>

Problem	Cause	Remedy
<b>No steering or hydraulic function</b>	Low oil level. Failed hydraulic pump.	Add recommended oil. Remove and inspect return filter for metal pump particles.
<b>No hydraulic functions steering normal</b>	Failed hydraulic pump.  Failed line filter. Faulty safety valve.  Stuck open port relief valve.	Remove and inspect return filter for metal pump particles, or replace the pump.  Remove and inspect line filter for RCV. Safety valve leakage test or ON, OFF function test.  Replace relief valve.
<b>Boom float function does not work</b>	Faulty pilot control valve (RCV). Loader control valve (MCV) spool binding in bore.	Replace relief valve. Do pressure reducing valve pressure test in group 3.
<b>One hydraulic function does not work.</b>	Faulty pilot control valve (RCV).  Stuck open port relief valve. Oil leaking past cylinder packings.  Blockage in oil lines or valve.  Loader control valve (MCV) spool stuck in bore.	Do pilot control valve pressure test. Inspect and repair valve.  Replace relief valve. Do boom and bucket cylinder leakage test in group 3.  Inspect lines for damage. Disconnect and inspect lines for internal blockage.  Inspect and repair valve.
<b>Low hydraulic power</b>	Leakage within work circuit. Low system relief valve (main relief valve) setting. Low port relief valve setting.  Leaking system relief valve. Worn hydraulic pump.	Do cylinder drift check in group 2. Do loader system and port relief valve pressure test in group 3. Do loader system and port relief valve pressure test in group 3.  Remove and inspect valve. Do hydraulic pump performance check in group 2.



Problem	Cause	Remedy
<b>Function drifts down</b>	Leaking cylinders. Leaking seals in circuit relief valve (port relief valve) or valve stuck open. Leaking loader control valve (MCV).	Do cylinder leakage checks in group 3. Inspect seals. Replace relief valve. Repair or replace valve section.
<b>Boom drifts up</b>	Leakage in boom down spool.	Remove and inspect boom down spool.
<b>Boom down does not work (engine off)</b>	Safety valve not operated. Stuck pilot control valve. Faulty line filter. Accumulation not operated. MCV spool stuck.	Operate valve. Inspect. Remove and inspect filter. Inspect. Inspect and repair valve.
<b>Oil overheats</b>	Low oil viscosity in hot weather. Excessive load. Holding hydraulic system over relief. Leakage in work circuit.  Plugged fins in oil cooler. Internally plugged oil cooler. Incorrect system or circuit relief valve setting. Restriction in oil lines or loader control valve (MCV). Malfunctioning steering valve.  Leaking system main relief valve.  Worn hydraulic pump (internal leakage).	Use recommended oil. Reduce load. Reduce load. Do boom and bucket cylinder leakage test in group 3. Inspect and clean oil cooler. Do hydraulic oil cooler restriction test. Do loader system and circuit relief valve pressure test in group 3. Inspect for dented or kinked lines. Do hydraulic system restriction test in group 3. Do hydraulic system restriction test in group 3. Remove and inspect valve and seals. Do hydraulic pump performance check in group 2.
<b>Function drops before raising when valve is activated</b>	Stuck open lift check valve.	Do control valve lift check in group 2.
<b>Hydraulic oil foams</b>	Low oil level. Wrong oil. Water in oil. Loose or faulty suction lines (air leak in system).	Add recommended oil. Change to recommended oil. Change oil. Tighten or install new lines.
<b>Remote control valve (RCV) leaking</b>	Leaking plunger seals.	Remove, inspect and replace plunger seals.

※ Followings are general precautions for the hydraulic system and equipment.

- 1) Every structure has its limit of strength and durability. The relief valve is installed to limit the pressure on the hydraulic equipment and protect various parts of the wheel loader from possible damage. Therefore, never change the preset pressure of the relief valve unless absolutely necessary.
- 2) Since the hydraulic equipment is built with precision, the presence of only the slightest amount of dust and / or other particles in the hydraulic circuit might cause wear and/or damage, resulting in unstable functions and/or damage, resulting in unstable functions and/or unexpected accidents. Therefore, always keep hydraulic oil clean. Periodically, check the filter in the return circuit and replace the element as necessary.
- 3) Extract about 200cc of hydraulic oil from the tank as a sample every 6 months. If possible, have it analyzed by a specialist to confirm that the oil can still be used. Never extract the oil for sampling until the oil temperature has become the normal operating temperature. Since the replacement period varies depending on operating conditions, refer to **Operator's Manual** and change oil.
- 4) Should the equipment get damaged due to the presence of metal particles and/or foreign matter in the circuit drain out the hydraulic oil and carry out flushing. Also, replace the filter element and clean the hydraulic tank. Change the hydraulic oil entirely.
- 5) When checking the filter, if found metal particles in the element, drain out the hydraulic oil entirely, flush the whole circuit, and then fill with new oil. The presence of metal particles may indicate internal damage to the equipment. In such a case, check carefully before flushing, and repair or replace as required.
- 6) To add and/or change the hydraulic oil, always use recommended oil. (Refer to the list of recommended oils and lubricants at Section 1/Group 2, **Recommended lubricants**.) Never mix oil of different makes of kinds.
- 7) To change the hydraulic oil, use a clean vessel and funnel for pouring it into the tank. Never use cloth because it might cause the presence of lint in the circuit.
- 8) When removing the hydraulic equipment, be sure to put plugs or caps on hoses, tube lines and ports. Also, enter mating marks for later identification.
- 9) Disassemble and/or assemble the hydraulic equipment only in a clean place free of dust. When disassembling, be careful about the interchangeability of parts, and clean the disassembled parts with pure and clean mineral cleansing oil. Clean the internal passages as well. After the parts have dried, wipe them off with a clean lint-free cloth.
- 10) When overhauling the hydraulic equipment replace all O-rings, backup rings, etc. with new ones. Assemble O-rings with grease or vaseline applied.
- 11) After installing the equipment, add more hydraulic oil to make up for that lost during disassembly.
- 12) Tighten joints correctly. Loose joints will cause the hydraulic oil to leak. If the oil leaks, the tank oil level drops and air gets sucked in, so the pump will break down. Also loose joints in suction lines will take air in and might cause abnormal noise, malfunction or damage to pumps.

## GROUP 3 TESTS AND ADJUSTMENTS

### 1. HYDRAULIC OIL CLEAN UP PROCEDURE USING PORTABLE FILTER CADDY

- ※ Service equipment and tool
    - Portable filter caddy
    - Two 4000 mm × 1in 100R1 Hoses
    - Quick disconnect fittings.
    - Discharge wand
    - Various size fittings.
  - ※ Brake system uses oil from hydraulic oil tank. Flush all lines in the brake, pilot, steering system and cut off system. Disassemble and clean major components for brake and steering system. Remove and clean pilot caps from main control valve.  
Brake and steering components may fail if brake and steering system is not cleaned after hydraulic oil tank contamination.
- 1) If hydraulic system is contaminated due to a major component failure, remove and disassemble steering cylinders to clean debris from cylinders.
  - 2) Install a new return filter element. Inspect filter housing before installing new element.
    - ※ For a failure that creates a lot of debris, remove access cover from hydraulic oil tank. Drain and clean hydraulic oil tank of fill the specified oil to hydraulic oil tank through upper cover.
  - 3) To minimize oil loss, pull a vacuum in hydraulic oil tank using a vacuum pump. Connect filter caddy suction line to drain port at bottom of hydraulic oil tank using connector. Check to be sure debris has not closed drain port.
  - 4) Put filter caddy discharge line into hydraulic oil tank filler hole so end is as far away from drain port as possible to obtain a thorough cleaning of oil.

5) Start the filter caddy. Check to be sure oil is flowing through the filters.

Operate filter caddy approximately 10 minutes so oil in hydraulic oil tank is circulated through filter a minimum of four  
※ times.

Hydraulic capacity :

- Tank : 90 ℓ (23.7 U.S. gal)

- Syetem : 130 ℓ (34.3 U.S. gal)

Leave filter caddy operating for the next  
6) steps.

※ Start the engine and run it at high idle.

For the most effective results, cleaning procedure must start with the smallest capacity circuit then proceed to the next  
7) largest capacity circuit.

Operate all functions, one at a time, through a complete cycle in the following order:  
Clam, steering, bucket, and boom.

Also include all auxiliary hydraulic functions.

Repeat procedure until the total system capacity has circulated through filter caddy seven times, approximately 30 minutes.

Each function must go through a minimum of three complete cycles for a through  
※ cleaning for oil.

Filtering time for machines with auxiliary hydraulic functions must be increased  
8) because system capacity is larger.

9) Stop the engine. Remove the filter caddy.

10) Install a new return filter element.

Check oil level in hydraulic oil tank ; Add oil if necessary.

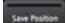
## 2. BOOM HEIGHT KICKOUT ADJUSTMENT

The bucket can be adjusted to a height desired by using the boom kick-out device.


- ▲ Park the machine on level ground and block the tires to prevent sudden movement of the machine.
- ▲ Press the parking brake switch.
- ▲ Fix the front and rear frames by using the safety lock bar.
- ▲ Do not work underneath the work equipment.

### 1) ADJUSTMENT OF THE BOOM KICKOUT AND BUCKET LEVELER


#### (1) Lift kickout position

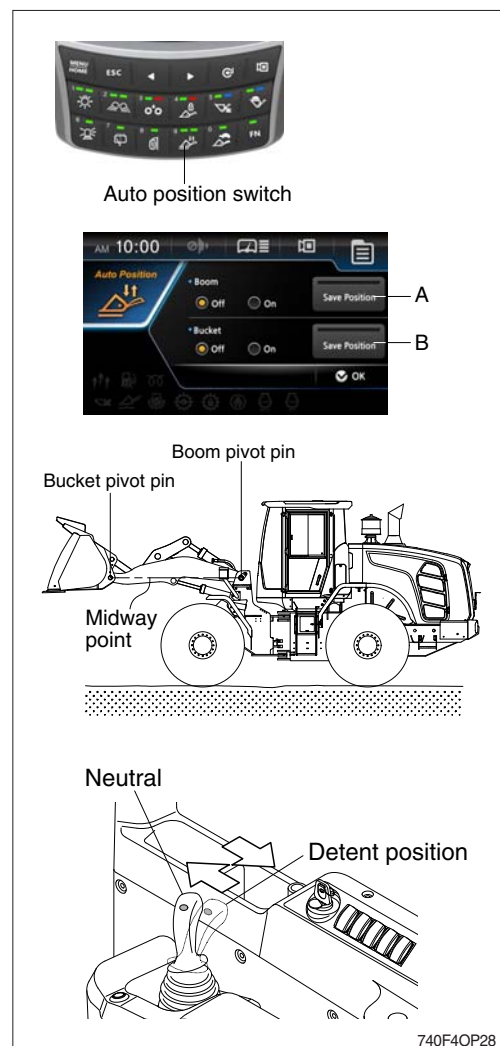
To set the lift kickout, raise the bucket to the desired position above the midway point. Then push icon (  , A) for 2~3 seconds. The boom will return to the programmed position when the raise detent is activated and the boom is below the kickout position.

#### (2) Lower kickout position

To set the lower kickout, lower the bucket to the desired position below the midway point. Then push icon (  , A) for 2~3 seconds. The boom will return to the programmed position when the float detent is activated and the boom is at least a foot above the kickout position.

#### (3) Bucket leveler position

To set the bucket leveler, roll back the bucket to the desired position. Then push icon (  , B) for 2~3 seconds. The bucket will return to the programmed position when the roll back detent is activated and the bucket is below the leveler position.



### 3. TEST TOOLS

#### 1) CLAMP-ON ELECTRONIC TACHOMETER INSTALLATION

- Service equipment and tools
- Tachometer

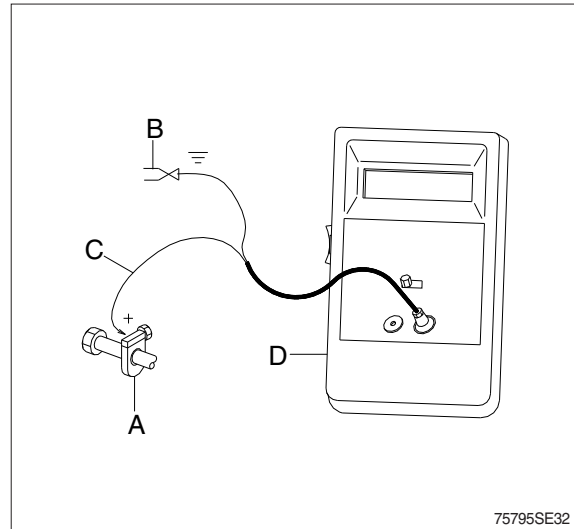
A : Clamp on tachometer.

Remove paint using emery cloth and connect to a straight section of injection line within 100 mm (4 in) of pump. Finger Tighten only-do not over tighten.

B : Black clip (-). Connect to main frame.

C : Red clip (+). Connect to transducer.

D : Tachometer readout. Install cable.



#### 2) DIGITAL THERMOMETER INSTALLATION

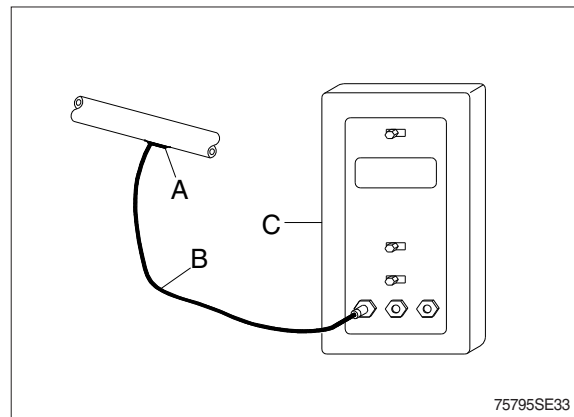
- Service equipment and tools
- Digital thermometer

A : Temperature probe.

Fasten to a bare metal line using a tie band. Wrap with shop towel.

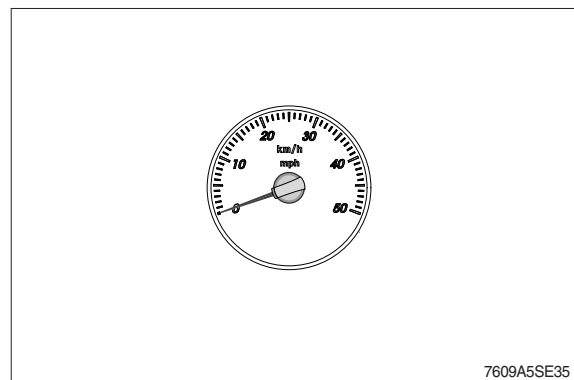
B : Cable.

C : Digital thermometer.



#### 3) DISPLAY MONITOR TACHOMETER

The display monitor tachometer is accurate enough for test work.



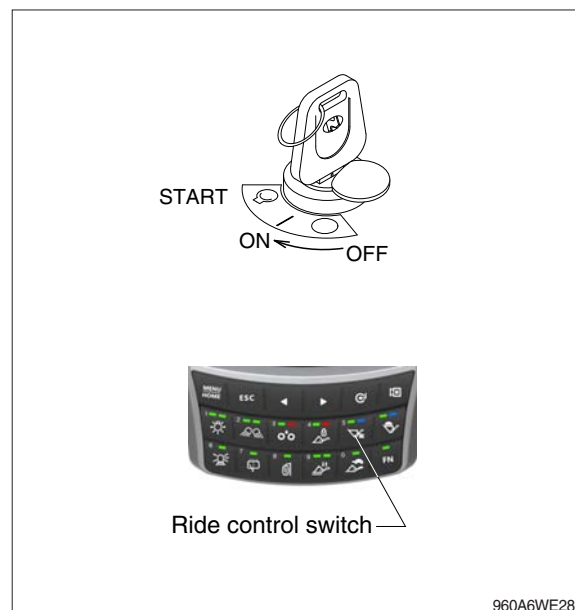
#### 4. HYDRAULIC OIL WARM UP PROCEDURE

- 1) Install temperature reader (see temperature reader installation procedure in this group).
- 2) Run engine at high idle.
- 3) Hold a hydraulic function over relief to heat the oil.
- 4) Periodically cycle all hydraulic functions to distribute warm oil.
- 5) Heat oil to test specification (approx. 45°C).

#### ※ Ride control system (option)

##### ▲ Attention

- 1) Before carrying out any maintenance work the accumulators must be unloaded (zero pressure).
- 2) Bucket should be lade on the ground.
- 3) Turn the starting switch to ON position and press the ride control switch on monitor to operate ride control function.
- 4) Lower the boom to the position of down or floating to release the charged oil in accumulators.



## 5. MAIN HYDRAULIC PUMP FLOW TEST

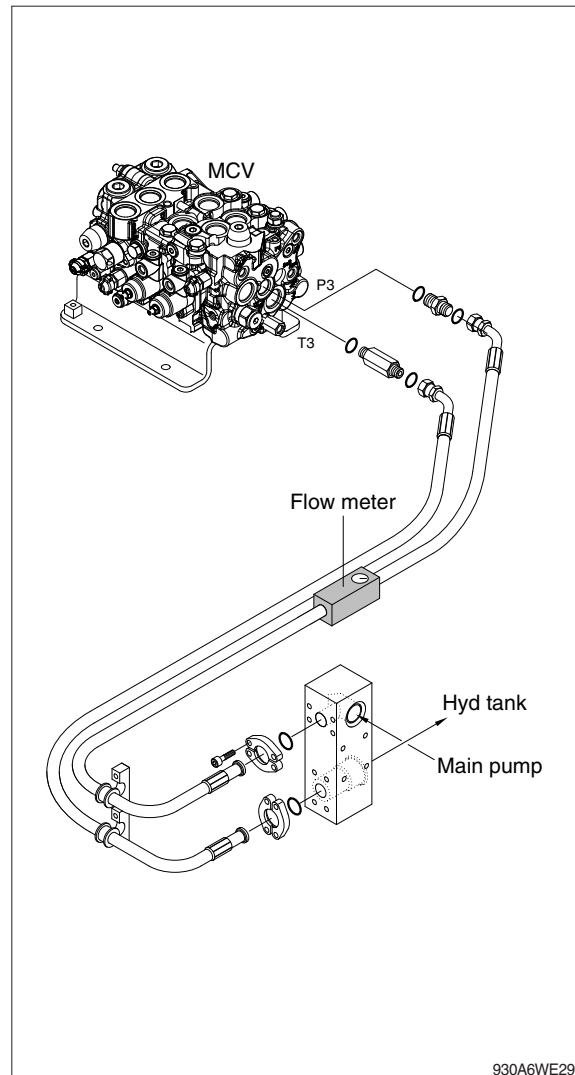
### · SPECIFICATION

Oil temperature	$45 \pm 5^{\circ}\text{C}$ ( $113 \pm 9^{\circ}\text{F}$ )
Engine speed	2230 rpm
Test pressure	$280 \pm 5$ bar (3980 psi)
Maximum pump flow	132 l / min (39.4 gpm)

### · FLOW METER GAUGE AND TOOL

Gauge	0~35 MPa (0~350 bar, 0~5000 psi)
Temperature reader	

- 1) Make test connections.
- 2) Install temperature reader.  
(see temperature reader installation procedure in this group)
- 3) Heat hydraulic oil to specifications.  
(see hydraulic oil warm up procedure in this group)
- 4) Run engine at test specifications.
- 5) Close flow meter loading valve to increase pressure to test specifications.
- 6) Read flow meter.
- 7) If flow is below specifications, check suction line and suction pressure for abnormality before removing pump.





## 6. LOADER SYSTEM AND PORT RELIEF VALVE PRESSURE TEST

### · SPECIFICATION

Oil temperature (40~50°C)

Relief valve	Engine speed	Relief pressure
System (M)	High	250 ± 5 kg/cm <sup>2</sup> (3560 ± 70 psi)
Boom raise (U) Boom down (W) Bucket rollback (R)	Low	340 ± 10 kg/cm <sup>2</sup> (4840 ± 140 psi)
Bucket dump (D)	Low	HL930A, HL930A XT 340 ± 10 kg/cm <sup>2</sup> (4840 ± 140 psi)  HL930A TM 150 ± 10 kg/cm <sup>2</sup> (2130 ± 140 psi)

### · Gauge and tool

Gauge 0~35 MPa (0~350 bar, 0~5000 psi)

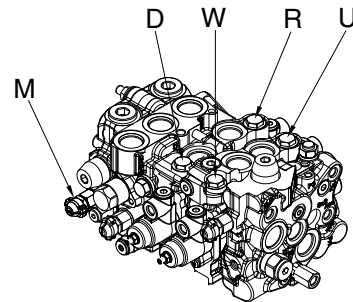
M : System (main) relief valve

R : Bucket rollback relief

D : Bucket dump relief

U/W : Boom raise/down relief

- 1) Install fitting and pressure gauge to test port in pump delivery line.
  - 2) Install temperature reader.  
(see temperature reader installation procedure in this group)
  - 3) Heat hydraulic oil to specifications.  
(see hydraulic oil warm up procedure in this group)
  - 4) To check the system relief (M), run engine at high idle. Lower boom to bottomed position.  
Slowly activate boom down function while watching pressure gauge. If pressure is not to specification, loosen lock nut on system relief valve (M) and adjust to specification.
- ※ Do not adjust the system relief valve above 280 kg/cm<sup>2</sup> (3980 psi). Damage to the pump will result from excessive pressure settings.



940A6WE30

## 7. HYDRAULIC SYSTEM RESTRICTION TEST

### · SPECIFICATION

Oil temperature  $45 \pm 5^{\circ}\text{C}$  ( $113 \pm 9^{\circ}\text{F}$ )

Engine speed High idle

Maximum pressure 1 MPa (10 bar, 145 psi) at steering unit.

Maximum pressure at main control valve

1 MPa (10 bar, 145 psi)

### · GAUGE AND TOOL

Gauge 0~7 MPa (0~70 bar, 0~1000 psi) 2EA

This test will check for restrictions in the hydraulic system which can cause overheating of hydraulic oil.

- 1) Install temperature reader.
    - Steering unit : T port (return line)
    - Main control valve : T port (return line)(see temperature reader installation procedure in this group)
  - 2) Heat hydraulic oil to specifications.  
(see hydraulic oil warm up procedure in this group)
  - 3) Connect fitting and gauge to steering valve.
  - 4) Connect fitting and gauge to main control valve.
- ▲ Do not operate steering or loader functions or test gauge may be damaged.**
- 5) Run engine at specification and read pressure gauges.

If pressure is more than specification at the loader control valve, check for a kinked, dented or obstructed hydraulic line. Check loader control valve for a binding spool.

If pressure is more than specification at the steering unit, inspect neutral condition of the steering unit for a stuck spool. Make sure orifice plugs are installed in ends of priority spool in MCV.

Check for plugged orifice in priority valve in MCV.

## 8. LOADER CYLINDER DRIFT TEST

### · SPECIFICATION

Oil temperature  $45 \pm 5^{\circ}\text{C}$  ( $113 \pm 9^{\circ}\text{F}$ )

Boom horizontal

Bucket horizontal

Bucket unloaded

Item	Standard value
Retraction of boom cylinder rod	15 mm
Retraction of bucket cylinder rod	15 mm

### GAUGE AND TOOL

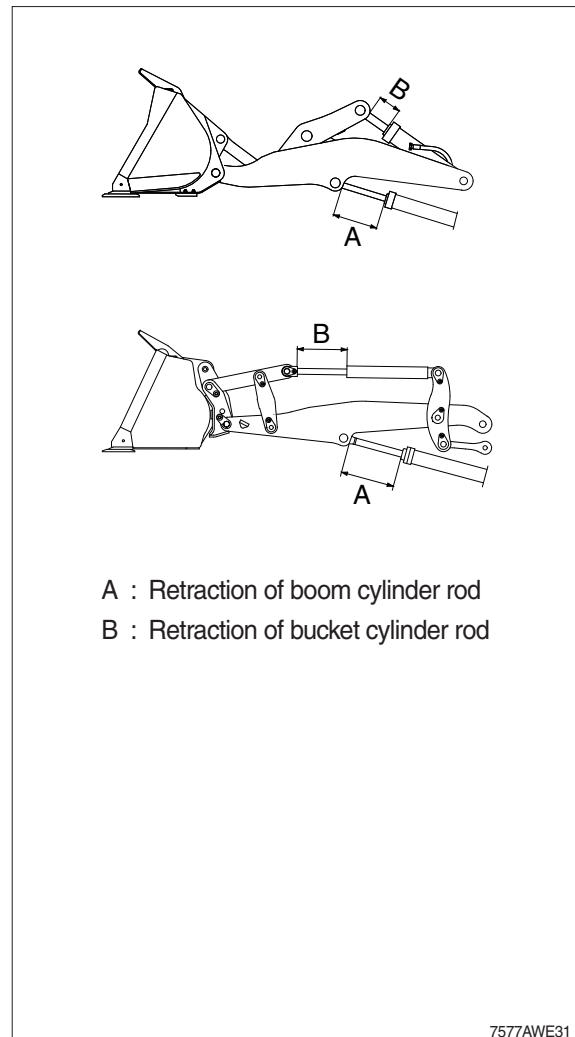
· Stop watch

Temperature reader

▲ Put the safety lock lever in the lock position.

▲ Do not go under the work equipment.

- 1) Set the boom and bucket horizontal, then stop the engine.
- 2) Stop the engine, wait for 15 minutes, then start measuring.
- 3) Measure the amount the boom and bucket cylinder rods retract during 5 minutes.



## 9. BOOM AND BUCKET CYLINDER LEAKAGE TEST

### · SPECIFICATION

Oil temperature  $45 \pm 5^{\circ}\text{C}$  ( $113 \pm 9^{\circ}\text{F}$ )  
Engine speed Low idle  
Maximum leakage 15 ml/min (1/2 oz/min)

### · GAUGE AND TOOL

Temperature reader  
Stop watch  
Measuring container

1) Fasten temperature sensor to head end port of cylinder to be tested. Cover sensor with a shop towel.

2) Heat hydraulic oil to specifications (see hydraulic oil warm up procedure in this group).

**▲ Never work under raised equipment unless it is supported with a hoist or support stands.**

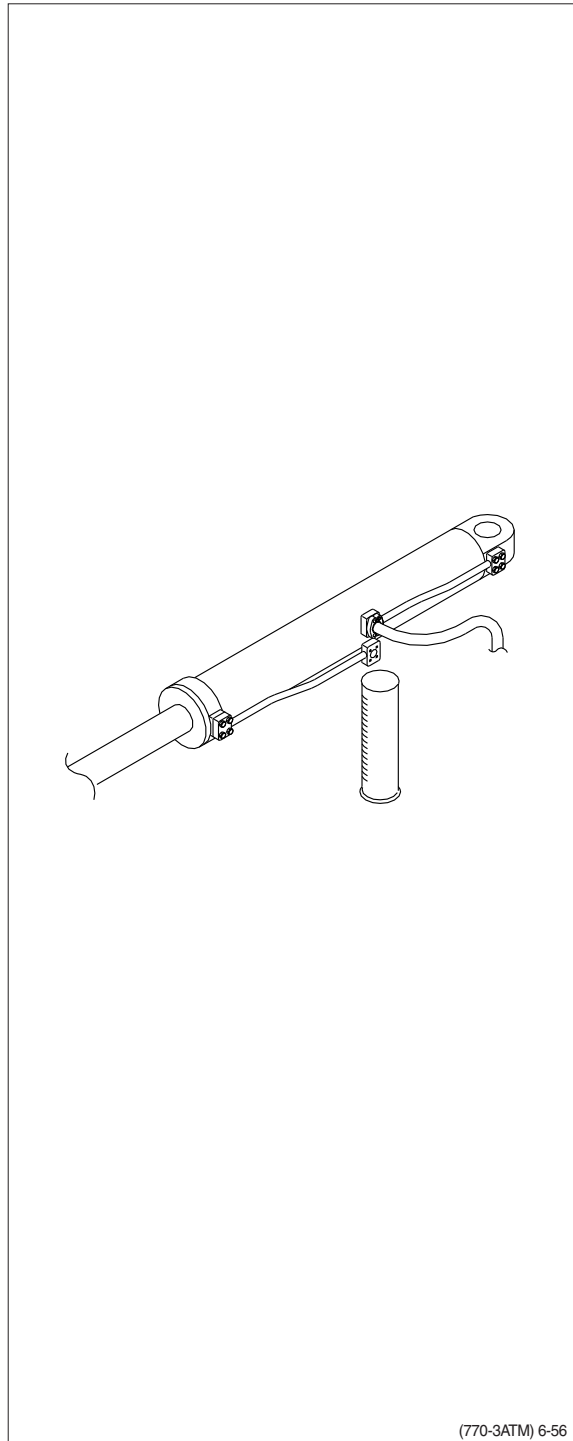
3) Full extend the cylinder to be tested. If testing the boom cylinders, restrain boom in the fully raised position using a hoist or a stand.

※ Check cylinders for leakage in the fully extended position only. In the retracted position contacts the end of the cylinder and seals off piston seal leakage.

4) Remove and plug cylinder rod end hose or line.

5) Run engine at slow idle. Activate control lever to extend cylinder for 1 minute over relief while measuring leakage for open port.

If leakage is within specification, excessive cylinder drift is caused by leakage in the loader control valve or circuit relief valve.



(770-3ATM) 6-56

## 10. CYCLE TIME TEST

### · SPECIFICATION

Oil temperature —  $45 \pm 5^{\circ}\text{C}$  ( $113 \pm 9^{\circ}\text{F}$ )

Engine speed — High idle

Function	Operating conditions	Maximum cycle time (seconds)	
		HL930A	HL930A TM
Boom raise	Bucket flat on ground to full height	5.8	
Boom lower (float)	Full height to ground level	3.6	
Bucket dump	Boom at full height	1.5	2.0
Bucket rollback	Boom at full height	1.8	2.6
Steering (number of turns)	Frame stop to stop	3.8 turns	

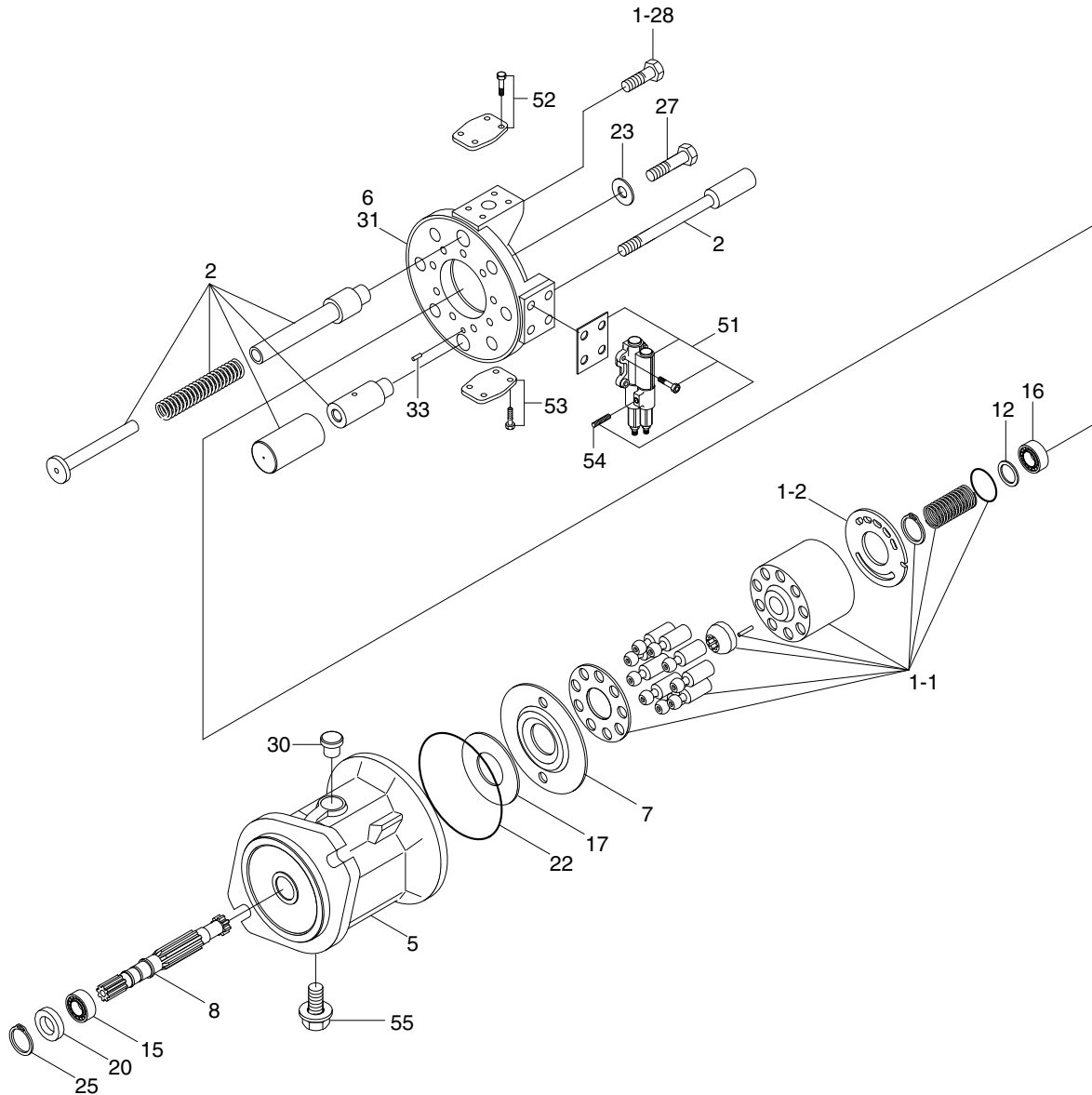
## 11. HYDRAULIC OIL FILTER INSPECTION PROCEDURE

- 1) Lower the bucket to the ground, stop the engine, move the control lever back and forth several times, and clean all over the upper surface of the hydraulic oil tank.
  - 2) Remove the bolts and take out the filter case cover and O-ring.
  - 3) Remove the spring and bypass valve.
  - 4) Remove the filter element from the tank.
  - 5) Check the element and the filter case bottom for debris. Excessive amounts of brass and steel particles can indicate a failed hydraulic pump or a pump failure in process. A rubber type of material can indicate cylinder packing or other packing failure.
- ※ The hydraulic oil filter in the filter case of the hydraulic oil tank should be replaced every 250 operating hours or more often. When the filter element is replaced, please keep as follows.
- (1) Clean the inside of the filter case.
  - (2) Place new element in the proper positions inside the filter case.
  - (3) Install the bypass valve and spring. Make sure the element stand upright, and check for complete contact of the element bottom with the filter case bottom.
  - (4) Install the O-ring and filter case covers. Tighten them with bolt. Replace the O-ring with new one if damaged.sa

## GROUP 4 DISASSEMBLY AND ASSEMBLY

### 1. MAIN PUMP

#### 1) STRUCTURE (1/2)



74096WE11

1	Rotary group	15	Taper roller bearing	30	Locking screw
1-1	High speed rotary group	16	Taper roller bearing	31	Double break-off pin
1-2	Control plate	17	Bearing liner	33	Cylinder pin
2	Adjusting piece	20	Shaft seal ring	51	Control valve
5	Pump housing	22	O-ring	52	Flange cover
6	Port plate	23	O-ring	53	Flange cover
7	Swash plate	25	Retaining ring	54	Seal screw
8	Drive shaft	27	Socket screw	55	Seal screw
12	Adjustment shim	28	Locking screw		

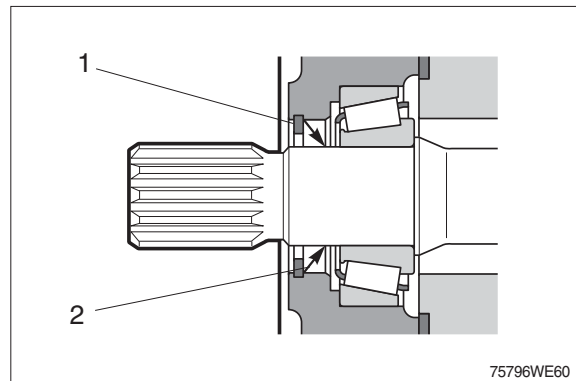
## 2) GENERAL REPAIR GUIDELINES

- ※ Observe the following guidelines when carrying out repairs on hydraulic pumps.
- (1) Close off all openings of the hydraulic unit.
- (2) Replace all of the seals.  
Use only original spare parts.
- (3) Check all sealing and sliding surfaces for wear.
- ※ Re-work of the sliding surfaces by using, for example abrasive paper, can damage the surface.
- (4) Fill the hydraulic pump with hydraulic oil before commissioning.

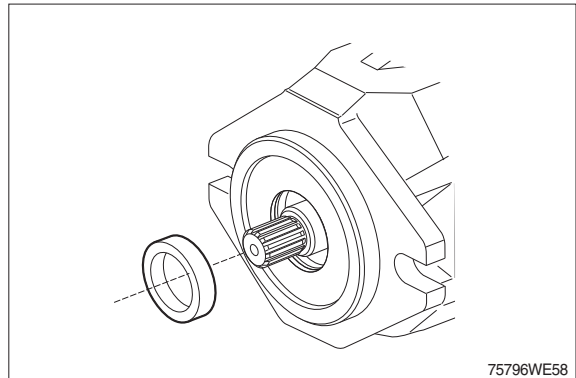
## 3) SEALING THE DRIVE SHAFT

- (1) Protect the drive shaft.  
Remove the circlip.  
Remove the shaft seal.

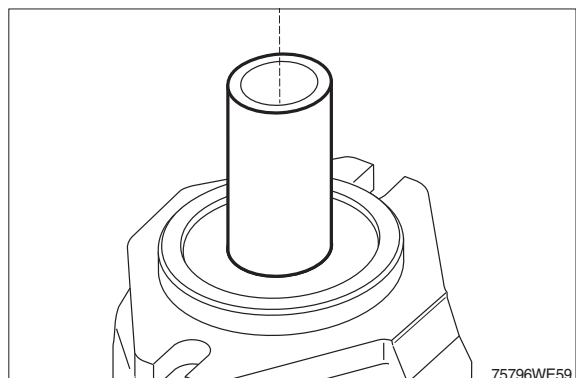
1 Circlip 2 Shaft seal



- (2) Change the shaft seal and check its sliding surface (drive shaft) and housing, grease the sealing ring.



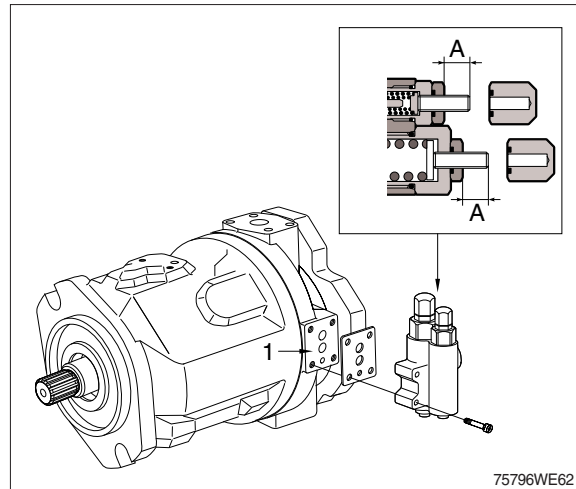
- (3) Assemble the sealing ring, fitting tool holds the correct position of the sealing ring in the pump housing.  
Assemble the circlip in the correct position.





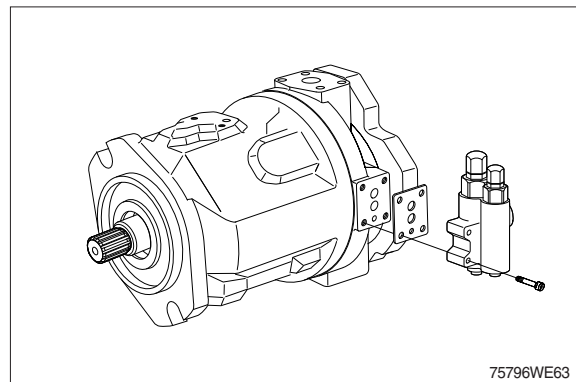
#### 4) SEALING / CLEANING THE CONTROL VALVE

- (1) Disassemble the control valve.
- ※ Measure dimension A and note down.
- Check sealing surface (1).

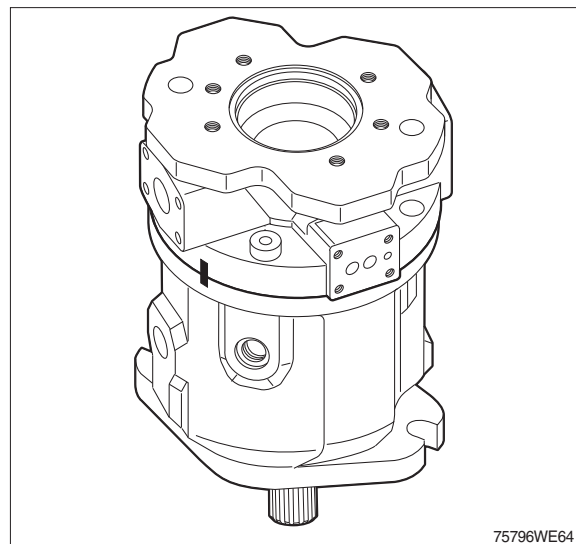


#### 5) DISASSEMBLE THE PUMP

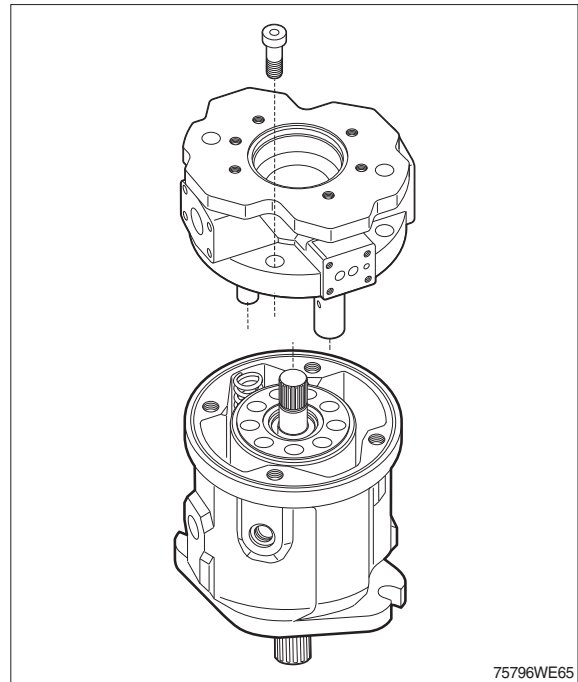
- (1) Remove the control valve.



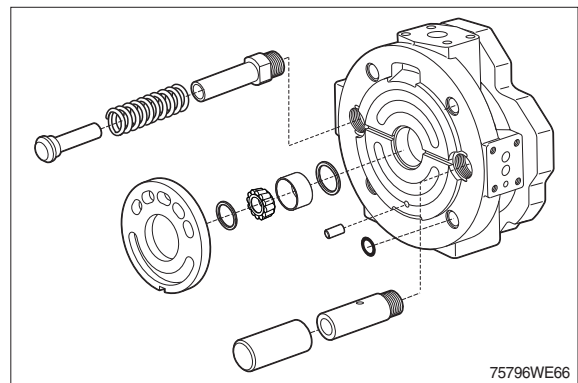
- (2) Mark the location of the connection plate on the housing.



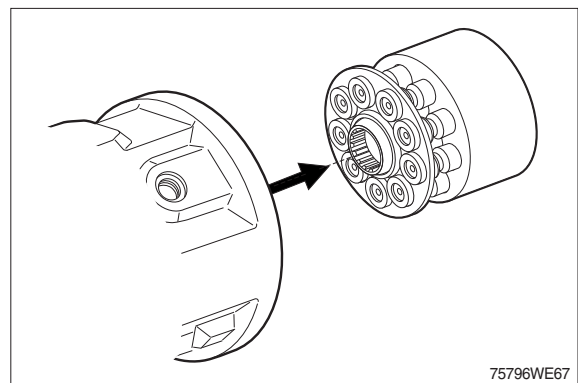
- (3) Remove the connection plate fixing bolts and the connection plate.  
※ Distributor plate and adjustment piston can drop down.



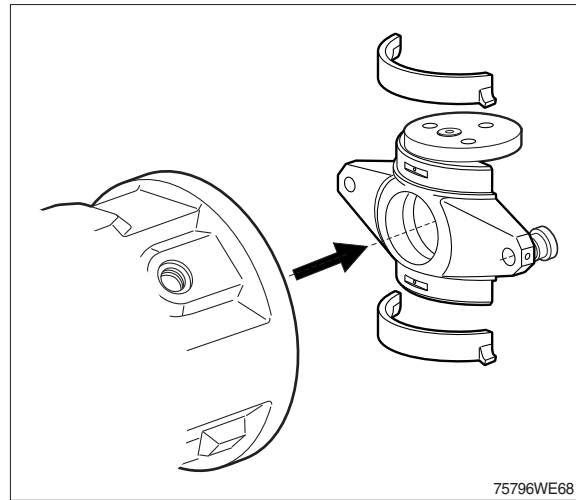
- (4) Remove distributor plate.  
Take note of the orientation.  
※ Remove bearing with withdrawal tool.  
Do not damage the sealing surface.



- (5) Remove the rotary group in a horizontal position.

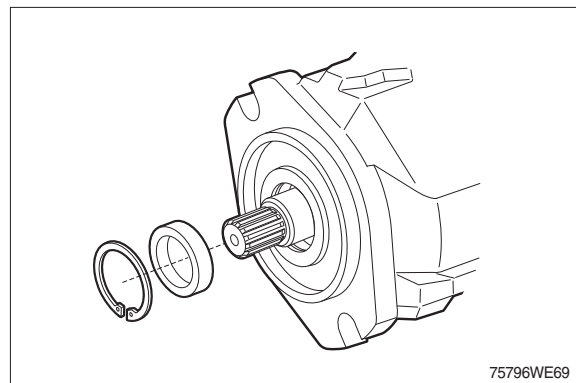


(6) Remove swash plate and bearing shells.



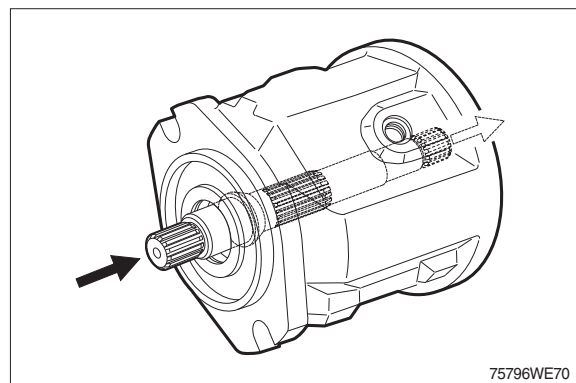
75796WE68

(7) Remove the circlip and the shaft seal.



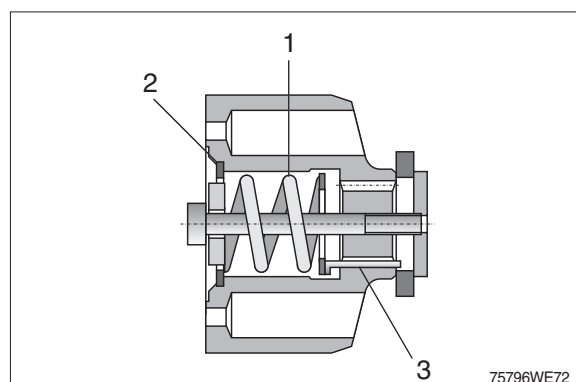
75796WE69

(8) Remove the drive shaft through rear side.



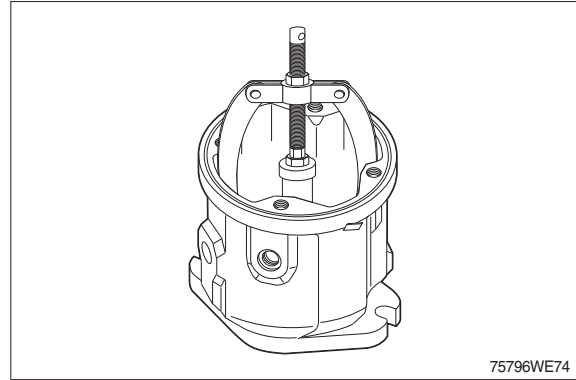
75796WE70

(9) Pre-tension the spring (1) using a suitable device.  
Remove circlip (2).  
Remove spring (1) and pressure pins (3).

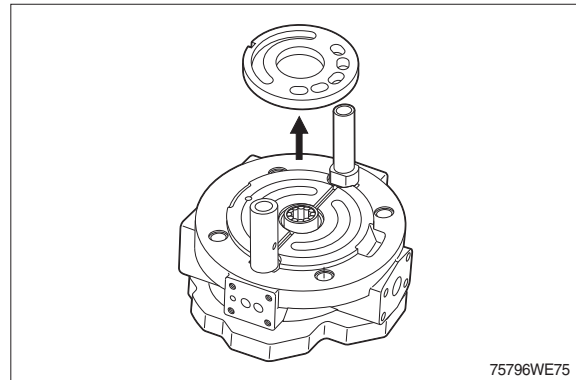


75796WE72

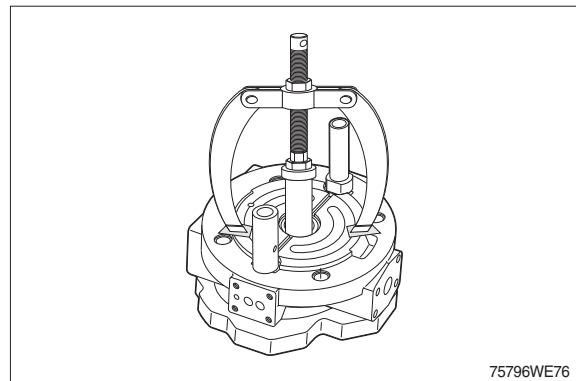
- (10) Use bearing puller to remove outer bearing race of front bearing out of housing press seat.



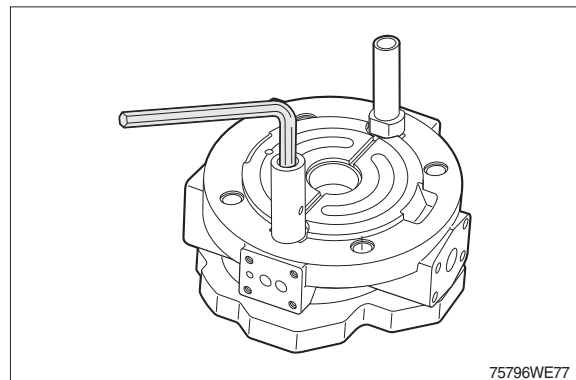
- (11) Remove the control plate.



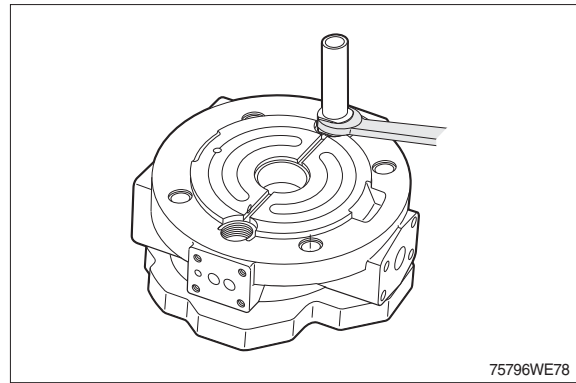
- (12) Use bearing puller to remove outer bearing race of rear bearing - press seat.



- (13) Disassemble the guide of control piston (Mounting position: pilot valve side).

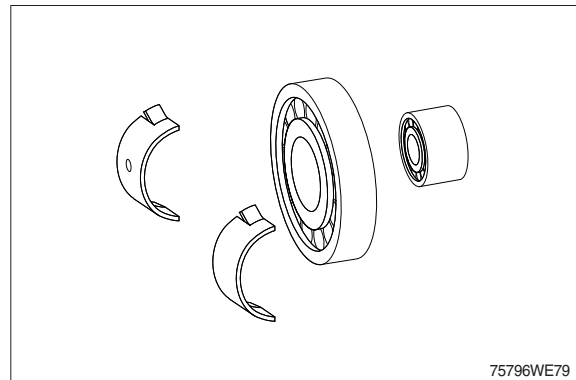


(14) Disassemble the guide of the opposite piston.



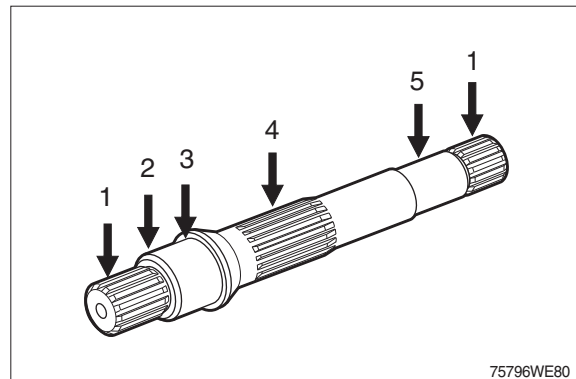
## 6) INSPECT HINTS

(1) Renew all bearings.



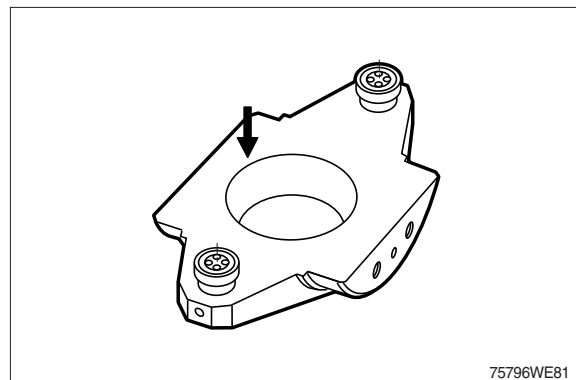
(2) Check :

- 1 Wear on splines, rust
- 2 Drive shaft seal wear grooves
- 3 Bearing seat
- 4 Splines for cylinder drive
- 5 Bearing seat

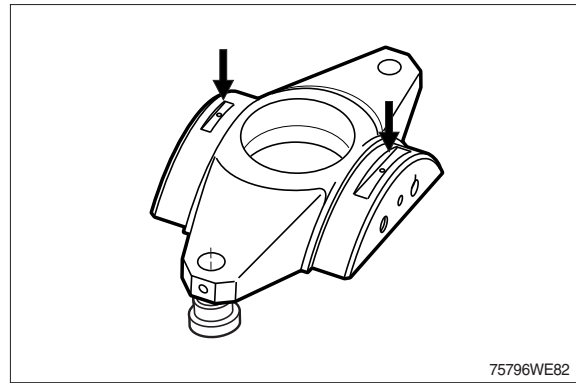


(3) Check :

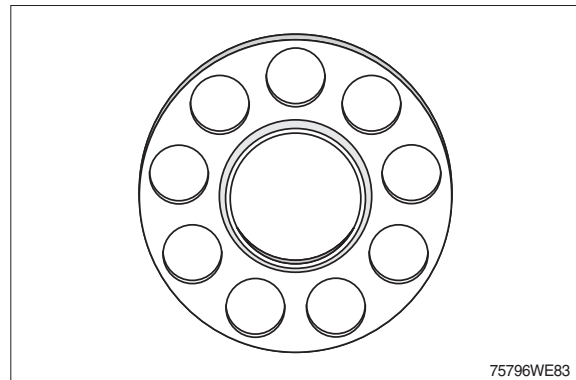
Sliding surface free of grooves.



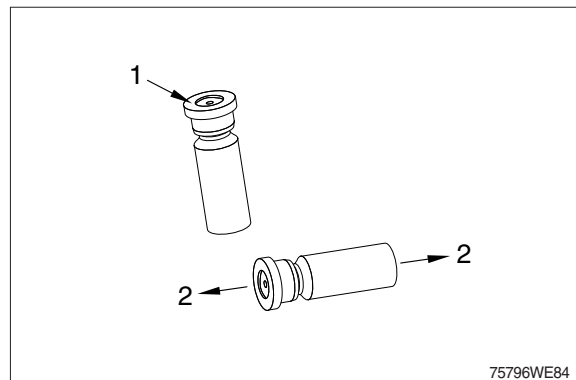
- (4) Check :  
Bearing surfaces.



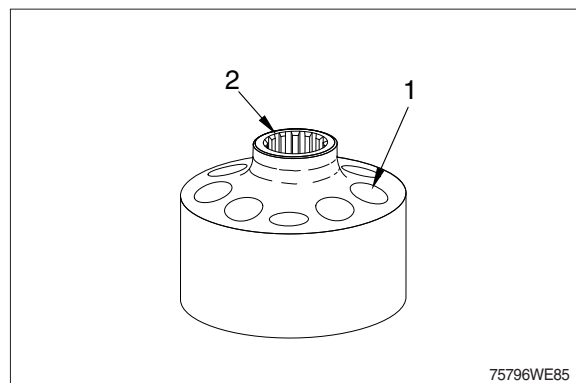
- (5) Check :  
That the retaining plate is free of grooves  
and that there is no wear in the slipper  
pad area.



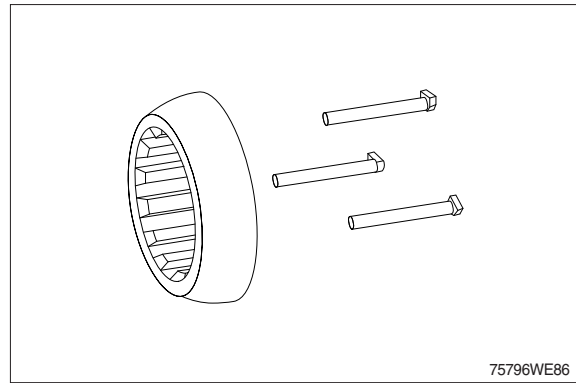
- (6) Check :  
Check to see that there are no scratches  
or metal deposits on the sliding surface  
(1) and that there is no axial play (2)  
(Pistons must only be replaced as a set).



- (7) Check :  
1 Cylinder bores  
2 Splines

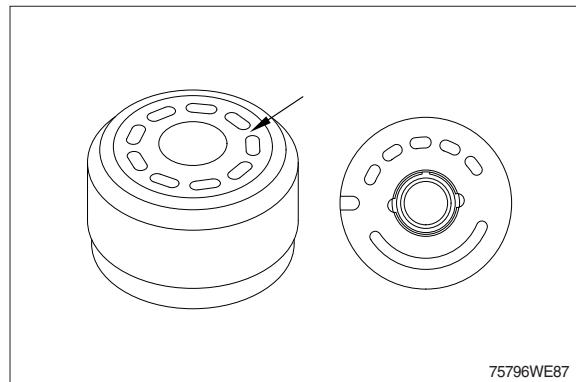


(8) Free of grooves, no signs of wear.



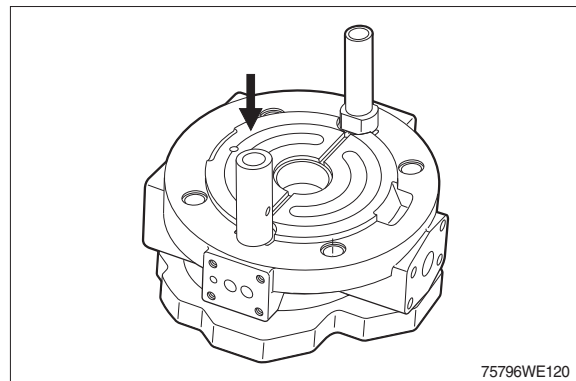
75796WE86

(9) Check :  
Cylinder sliding surface free of grooves,  
no wear, no embedded foreign particles.  
That there are no scratches on the control  
plate. (Only replace them as a set).



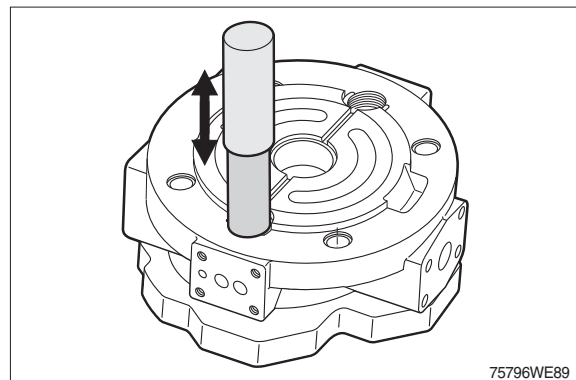
75796WE87

(10) Check :  
Mounting surface - control plate  
undamaged.



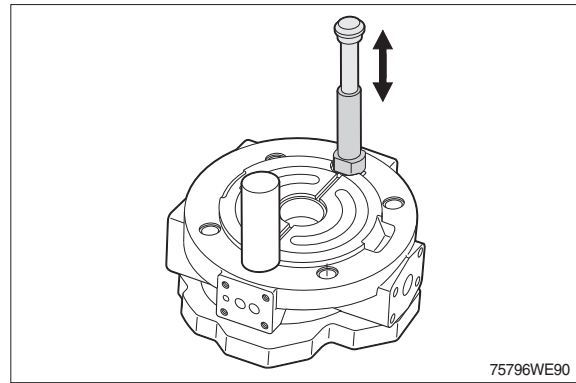
75796WE120

(11) Check :  
Check running conditions of the control  
piston.



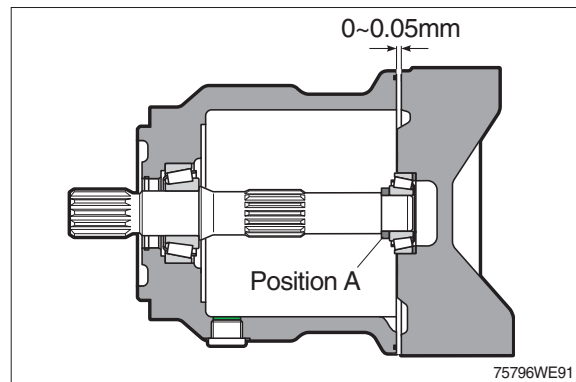
75796WE89

- (12) Check :  
 Check running conditions of the opposite piston.



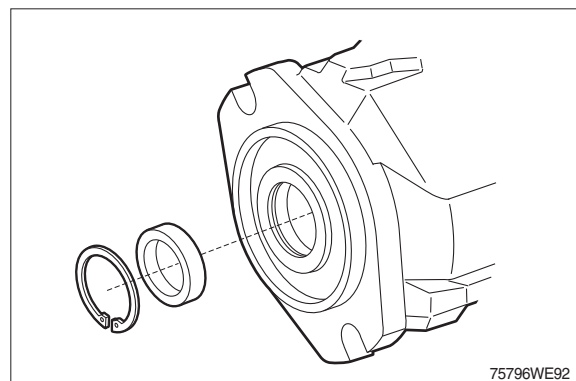
### 7) ADJUSTMENT OF TAPER ROLLER BEARING SET

- (1) Cast iron housing must have initial tension of the bearings: 0~0,05 mm, grind position A if necessary.

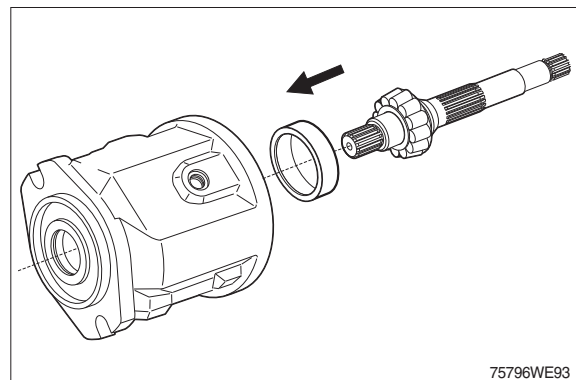


### 8) PUMP ASSEMBLY

- (1) Fit the seal into the housing.  
 Fit the circlip.

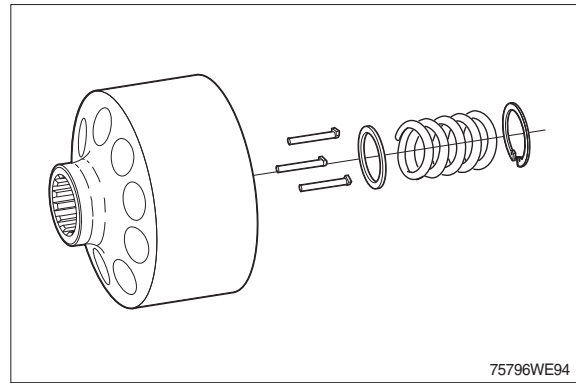


- (2) Fit the drive with bearing from rear end.  
 ※ Do not touch seal lip with edge of keyway or spline.

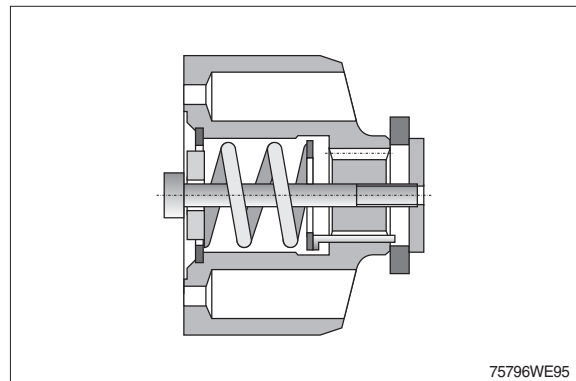




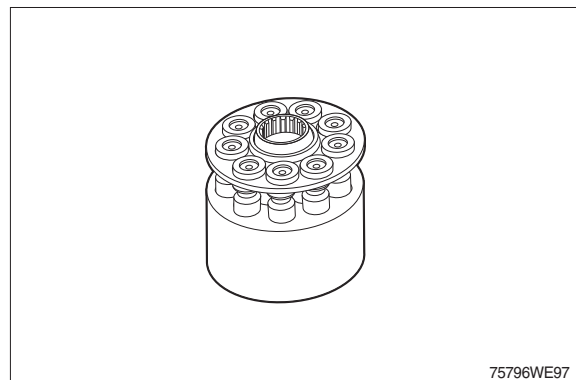
(3) Fit pressure pins using an assembly aid.



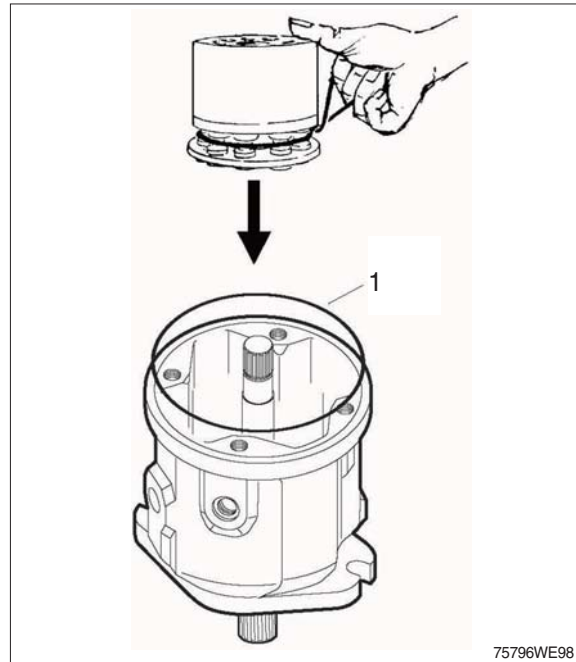
(4) Pre-tension the spring using a suitable device.



(5) Assemble piston with retaining plate.  
※ Oil piston and slipper pad.

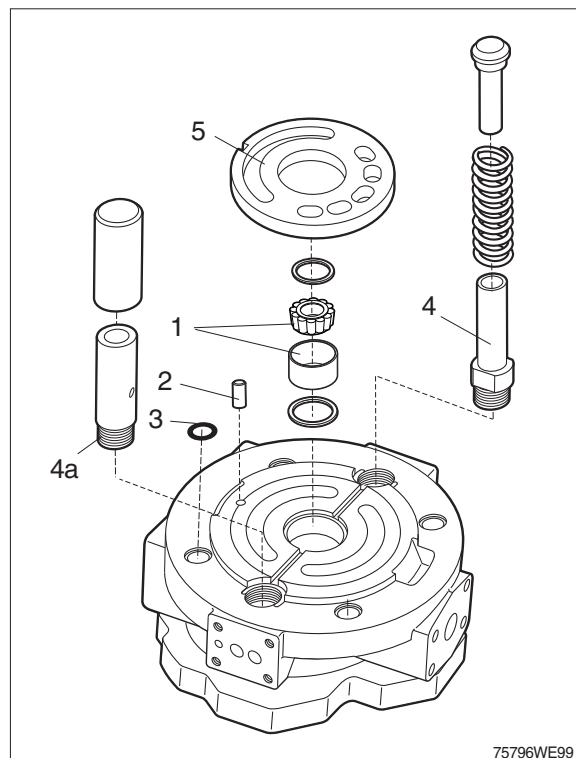


- (6) Fit rotary group.  
 ※ Hold the piston by using an O-ring.  
 Fit O-ring (1).



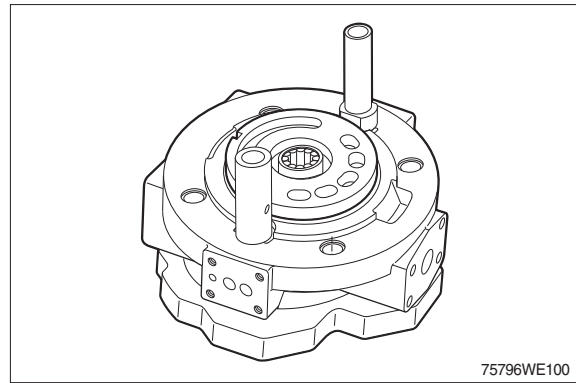
75796WE98

- (7) Fit bearing (1) in connection plate.  
 Fit cylindrical pin (2).  
 Fit O-rings (3) 4 pieces.  
 Fit adjustment spool (4) and guide piston (4a).  
 Fit distributor plate (5) (direction of rotation dependent)  
 ※ Assembly.  
 Hold the components in place with grease.

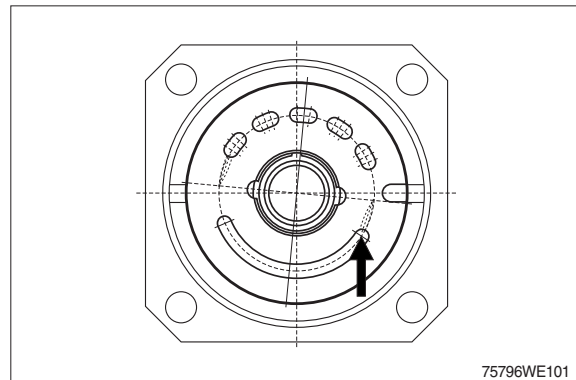


75796WE99

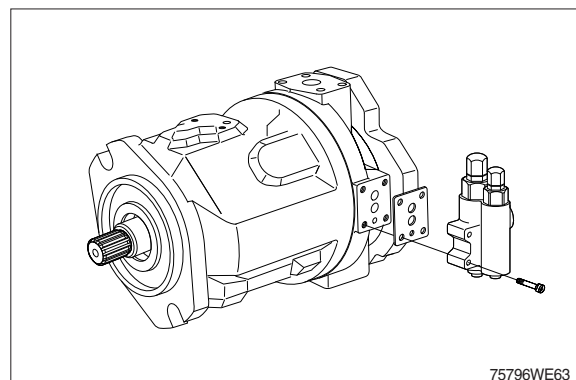
- (8) Fit distributor plate.  
※ Assembly aid : Grease



- (9) For clockwise rotation pumps the distributor plate is off-set by 4° to the right from the centre position.  
(Clockwise and anti-clockwise rotation distributor plates are not identical).

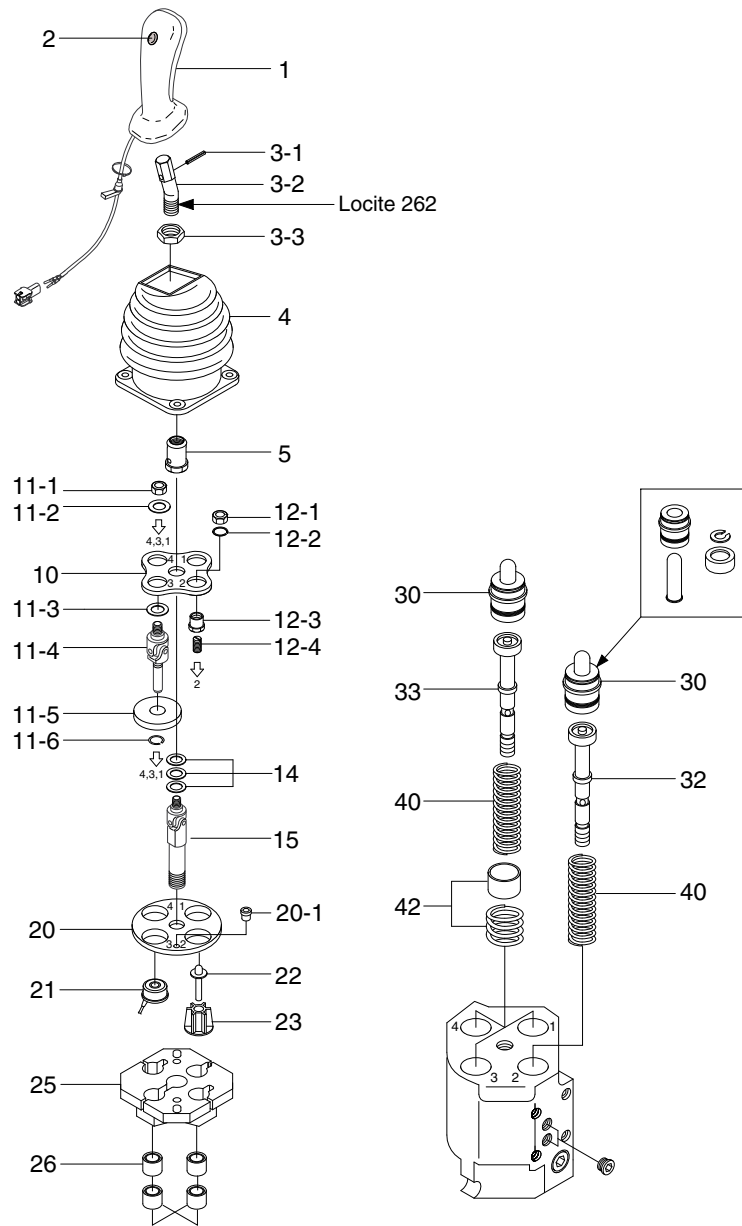


- (10) Fit connection plate and control valve.



## 2. REMOTE CONTROL VALVE

### 1) STRUCTURE



1	Handle	11-4	Cardan	22	Intermediary plunger kit
2	Push button	11-5	Armature	23	Intermediary plunger guide
3-1	Locking pin	11-6	Spring ring	25	Electric bracket
3-2	Bent lever	12-1	Counter nut	26	Bushing
3-3	Nut	12-2	Spring ring	30	Plunger kit
4	Rubber boot	12-3	Switch plate screw	32	Regulation unit
5	Locking nut	12-4	Press screw	33	Regulation unit
10	Cardan bracket	14	Shims (0.1, 0.2, 0.5 mm)	40	Return spring
11-1	Self-locking nut	15	Cardan	42	Prefeeling point kit
11-2	Washer	20	Flange		
11-3	Washer	21	Solenoid		

7707WE64

## 2) DISASSEMBLY AND ASSEMBLY

### (1) PUSH BUTTON

- ※ The remote control valve does not need to be removed from the machine to perform this operation.

Remove worn pushbutton using a small screwdriver.

The installation of new elements is performed without any special tools; the parts are simply pressed into place.

### (2) RUBBER BOOT

- ① Remove the remote control valve from the machine or free the valve by unscrewing the 4 screws fixing the plate in order to release the electrical cable.

· Assembly

Torque : 1.02 kgf · m (7.4 lbf · ft)

Hold the remote control valve using a vice or a vice-grip wrench (clamp onto the body).

- ※ The pilot unit does not need to be removed from the machine to release the cable. However, it is recommended to lift the control unit by undoing the 4 fixing screws on the arm rest.
- ※ It is unnecessary to remove the units with no electrical functions.

② Lift and turn the boot inside out.

③ Remove the grommet (7) from its emplacement to free the cable.

④ Loosen the handle mounting nut (3-3) using a 19 mm open-end wrench.

· Assembly : torque 4.08 kgf · m (29.5 lbf · ft)

⑤ Unscrew and remove the handle (1).

· Assembly

- Add loctite 262 onto the lever thread

- Torque : 4.08 kgf · m (29.5 lbf · ft)

⑥ Replace the faulty rubber boot (4) with a new one.

⑦ Replace the handle (1) following the disassembly instructions in reverse order.

### (3) HANDLE

① Clamp the threaded section of the lever (3-2) in a vice fitted with V-shaped vice clamp.

② Remove the pin (3-1) using a 5mm pin driver.

③ Replace the lever (3-2) onto the new handle (1) and secure it with the pin (3-1) using a 5mm pin driver.

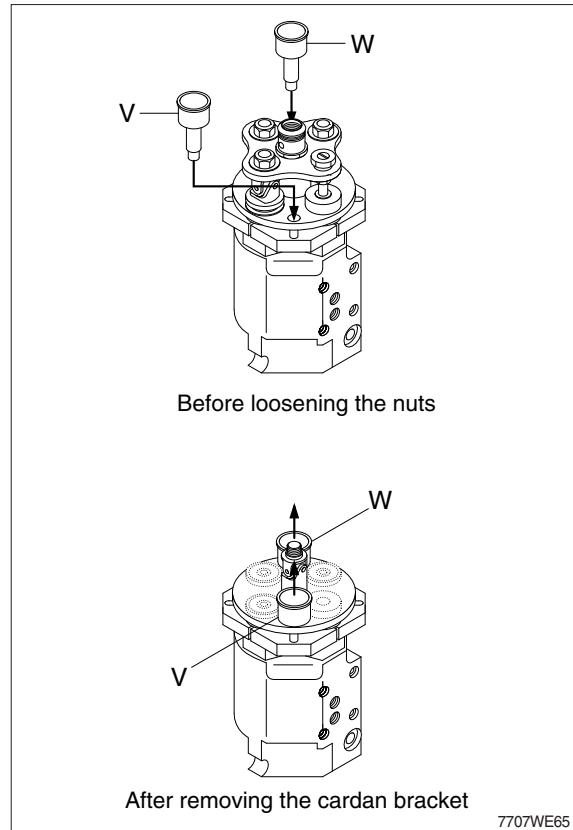
- ※ Respect the position of the curved lever to ensure that the handle is correctly oriented as indicated by the machine's technical specifications.

④ Replace the nut (3-3) on the threaded section and replace the boot (4).

#### (4) DETENT CARDAN BRACKET KIT

- ※ Remove the 2 grommets (20-1) from the flange (20).
- ※ Place centering sleeves V & W to avoid damaging the cardan knuckles while loosening the nuts.
- ※ Unscrew the locking nut (5) using a 23mm open-end wrench.
  - Assembly : Torque  $4.08 \pm 0.4$  kgf · m  
( $29.5 \pm 2.9$  lbf · ft)

- ① Unscrew the self-locking nut (11-1) using a 13mm open-end wrench.
  - Assembly
    - Torque 1.02 kgf · m (7.4 lbf · ft)
    - Place centering sleeves (V-W) to avoid damaging the cardan knuckles while screwing the nuts.
- ② Remove : - Friction washer (11-2)
  - Friction washer (11-3)
  - Cardan/armature assembly (11-4 ~ 11-6)



#### (5) NON-DETENT PLUNGER KIT

- ① Unscrew the self-locking nut (12-1) using a 13 mm open-end wrench.
  - Reassembly : - Torque 1.02 kgf · m (7.4 lbf · ft)
  - Place centering sleeves (V-W) to avoid damaging the cardan knuckles while screwing the nuts.
- ② Undo the snap ring (12-2) using a flat-end screwdriver.
- ③ Remove the screw assembly (12-3, 12-4)

#### (6) CARDAN

- ① Remove the centering sleeves V & W.
- ② Remove the cardan bracket (10) and the shims (14).
- ③ Unscrew the cardan (15) using a 17 mm open-end wrench.
  - Reassembly : - Ungrease the cardan threads
  - Add loctite 262 onto the cardan threads (both end)
  - Torque 4.08 kgf · m (29.5lbf · ft)

#### (7) SOLENOID AND CONNECTOR

- ※ It is advised to mount the connector onto the solenoid cable once the remote control valve is assembled.
- ① Remove the flange (20) and the electrical bracket (25),
  - ② Remove the protecting bushes (26) from the electrical bracket (25).
  - ③ Undo the solenoid (21) from the electric bracket (25).
  - ④ Replace the solenoid.
  - ※ Clean the polar face using a piece of cloth and pay attention not to hit them.
  - ⑤ Assembly : Place the solenoid cable in its emplacement on the electric bracket before fitting the protection bushes.

### **(8) INTERMEDIARY PLUNGER KIT**

- ① Undo the intermediary plunger guide (23).
- ② Remove and replace the intermediary plunger kit assembly (22).

### **(9) GUIDE / PLUNGER AND REGULATION UNIT**

※ Beware of the plungers that might jump out due to the spring return.

- ① Remove : - Guide/plunger assembly (30).
  - Regulation unit (32/33).
  - Return spring (40).
  - Pre-feeling point kit (42).
- ② The remote control valve is now totally disassembled.  
Assemble in reverse order following the torque specification.

### 3. MAIN CONTROL VALVE

#### 1) STARTING, MAXIMAL PRESSURE SET UP

- (1) Break the locking cover with a pair of pliers.

Decalibrate the LS pressure relief valve (19 mm open end spanner on counter nut ; 5 mm socket wrench) before starting the machine.

Maintain one of the control block spool valve in action before the linked hydraulic receiver is at the end of stroke.



H940AC6SE01

- ※ On the spool valve, the value of the secondary valve pressure must be greater than that of the LS pressure relief valve to adjust.

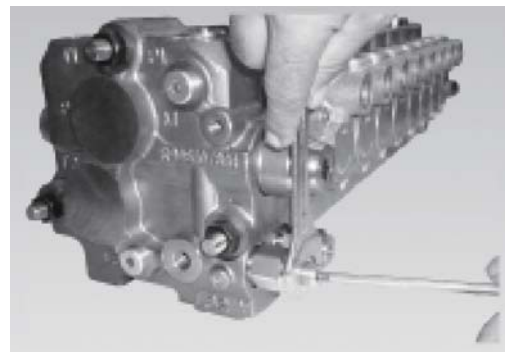
- (2) Adjust the maximum pressure measured in M using the LS pressure relief valve (19 mm open end spanner on counter nut ; 5 mm socket wrench).

Tighten the counter nut of the adjusting screw to the torque :

-  $2.55 \pm 0.25 \text{ kgf} \cdot \text{m}$  ( $18.4 \pm 1.8 \text{ lbf} \cdot \text{ft}$ )

Protect the setting by putting a new locking cover.

Fit together two half covers.



H940AC6SE02



## 2) LS PRESSURE RELIEF VALVE REPLACEMENT

The control block does not need to be removed from the machine to perform this operation.

- ▲ Place all of the machine's actuators connected to the control block in neutral position. Release stored pressure by operating all the spools.

(1) On the inlet element, unscrew the LS pressure relief valve (24 mm open end spanner).

※ Reassembly

Install the LS pressure relief valve on the inlet element.

- Torque :

$4.59 \pm 0.46 \text{ kgf} \cdot \text{m}$  ( $33.2 \pm 3.3 \text{ lbf} \cdot \text{ft}$ )

Set the LS pressure relief valve to the specified value

Fit a new appropriate locking cover



H940AC6SE03

## 3) REGULATING UNIT REPLACEMENT

(1) Unscrew the plug (12 mm socket wrench).

(2) Remove using a magnet to extract it from its bore : shims, spring, piston.

※ Clean parts to remove any attracted metal particle.

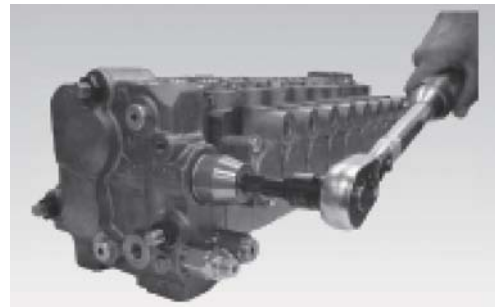
Do not use magnet for reassembly.

※ Reassembly

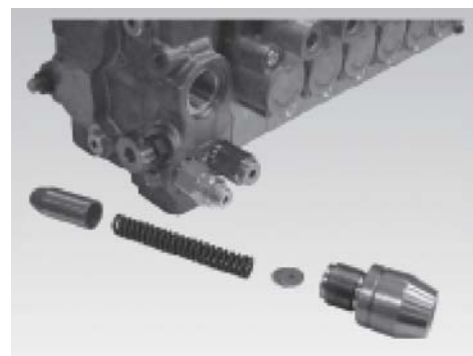
Reassemble parts in reverse order.

- Torque :

$10.2 \pm 1.02 \text{ kgf} \cdot \text{m}$  ( $73.8 \pm 7.38 \text{ lbf} \cdot \text{ft}$ )



H940AC6SE04



H940AC6SE05

#### 4) FLOW REGULATOR REPLACEMENT

(1) Unscrew the flow regulator (22 mm open end spanner).

- ※ Reassembly  
reassemble parts in reverse order.  
- Torque :  
 $2.04 \pm 0.20 \text{ kgf} \cdot \text{m}$  ( $14.8 \pm 1.48 \text{ lbf} \cdot \text{ft}$ )



H940AC6SE06



H940AC6SE07

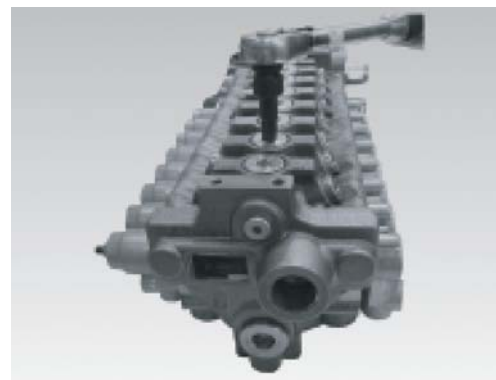
#### 5) PRESSURE COMPENSATOR REPLACEMENT

(1) Unscrew the compensator plug (12 mm socket wrench).

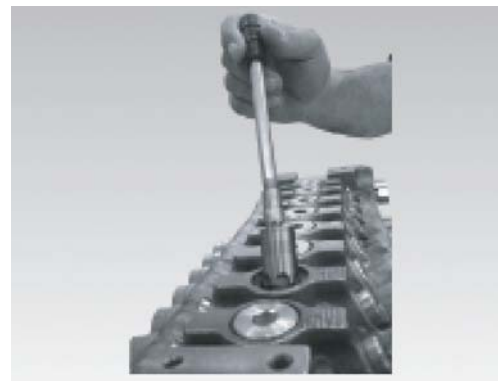
(2) Remove the compensator piston using a magnet to extract it from its bore.

- ※ Clean parts to remove any attracted metal particle.  
Do not use magnet for reassembly.

- ※ Reassembly  
reassemble parts in reverse order.  
- Torque :  
 $12.2 \pm 1.22 \text{ kgf} \cdot \text{m}$  ( $88.5 \pm 8.85 \text{ lbf} \cdot \text{ft}$ )



H940AC6SE10



H940AC6SE11



H940AC6SE12

## 6) CHECK VALVE REPLACEMENT

(1) Unscrew one of the check valves (6 mm socket wrench).

※ Reassembly

Install the check valve on the distribution element.

- Torque :

$7.14 \pm 0.71 \text{ kgf} \cdot \text{m}$  ( $51.6 \pm 5.16 \text{ lbf}\cdot\text{ft}$ )



H940AC6SE13



H940AC6SE14

## 7) REMOVAL OF THE HYDRAULIC COVER

(1) Remove the 2 mounting screws.

(2) Remove the cover and O-ring.

※ Reassembly

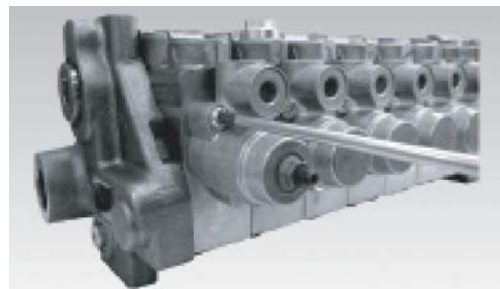
Replace the cover O-ring.

Reassemble parts in reverse order.

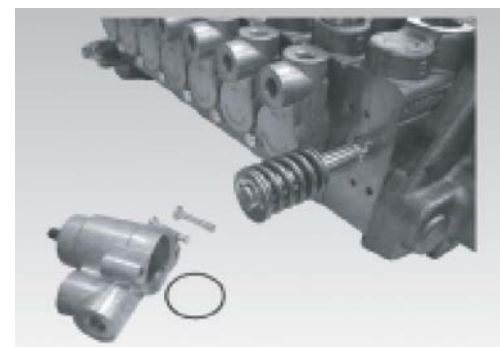
Torque for the 2 mounting screws.

- Torque :

$0.61 \pm 0.06 \text{ kgf} \cdot \text{m}$  ( $4.43 \pm 0.44 \text{ lbf}\cdot\text{ft}$ )



H940AC6SE15



H940AC6SE16

## 8) COMPLET CONTROL BLOCK DISASSEMBLY/ASSEMBLY

- (1) Remove the control block from the machine.

Remove the 3 nuts (19 mm ring wrench).



H940AC6SE18

- (2) Remove the final element.

Separate the distribution elements.



H940AC6SE19

- (3) Reassembly

- Replace the O-rings between distribution elements, initial element and final element.
- Check the cleanliness of the element faces.
- In case of tie rods reassembly, check their orientation : the shortest thread goes into the final element.
- Torque for the 3 tie rods :

$$6.12 \pm 0.25 \text{ kgf} \cdot \text{m} (44.3 \pm 4.43 \text{ lbf} \cdot \text{ft})$$

- Reassemble elements in reverse order

Place the control block horizontally on an even support area to tight the nuts.

Torque for the 3 nuts :

$$6.12 \pm 0.25 \text{ kgf} \cdot \text{m} (44.3 \pm 4.43 \text{ lbf} \cdot \text{ft})$$



H940AC6SE20