

## SECTION 7 ELECTRICAL SYSTEM

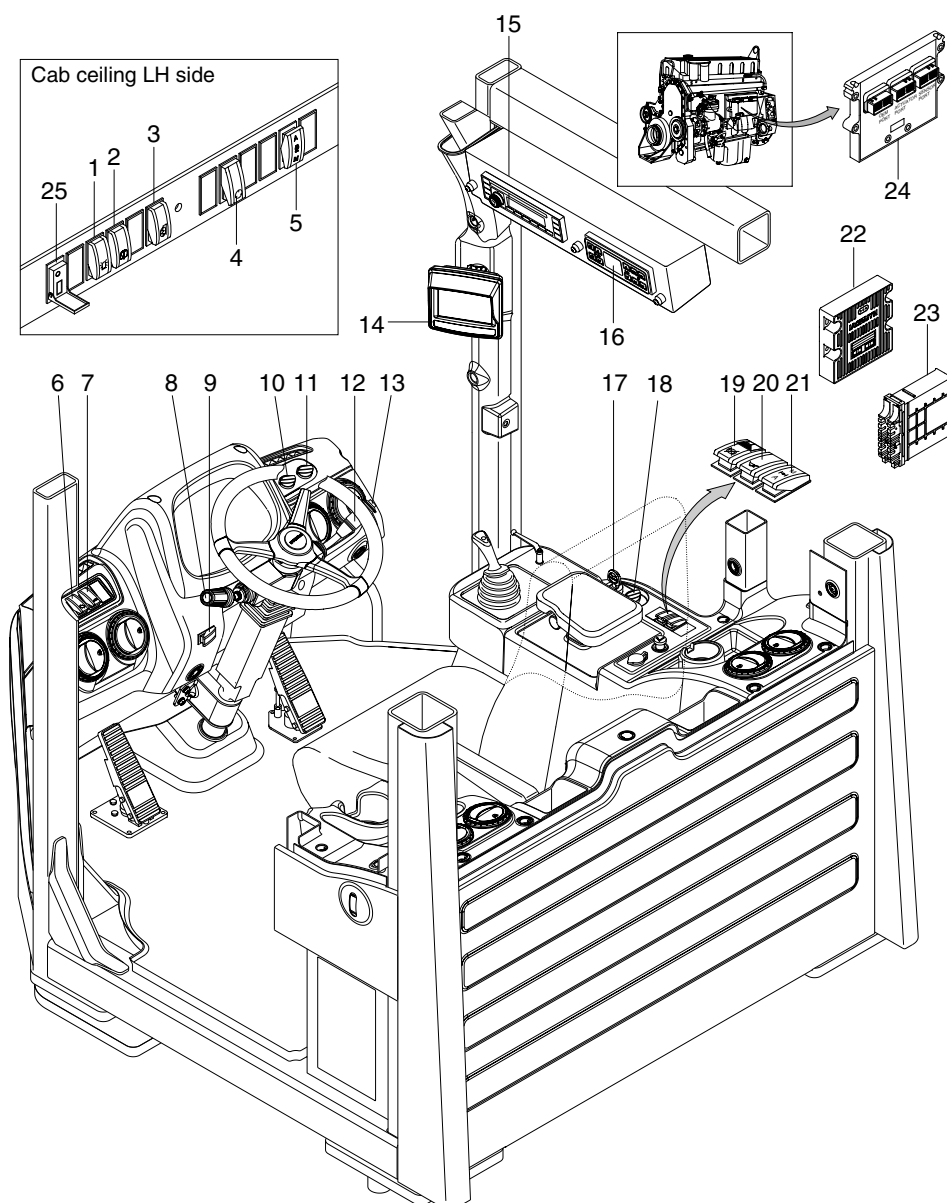
---

Group 1 Component Location .....	7-1
Group 2 Electrical Circuit .....	7-3
Group 3 Monitoring System .....	7-21
Group 4 Electrical Component Specification .....	7-52
Group 5 Connectors .....	7-59
Group 6 Troubleshooting .....	7-79

# SECTION 7 ELECTRICAL SYSTEM

## GROUP 1 COMPONENT LOCATION

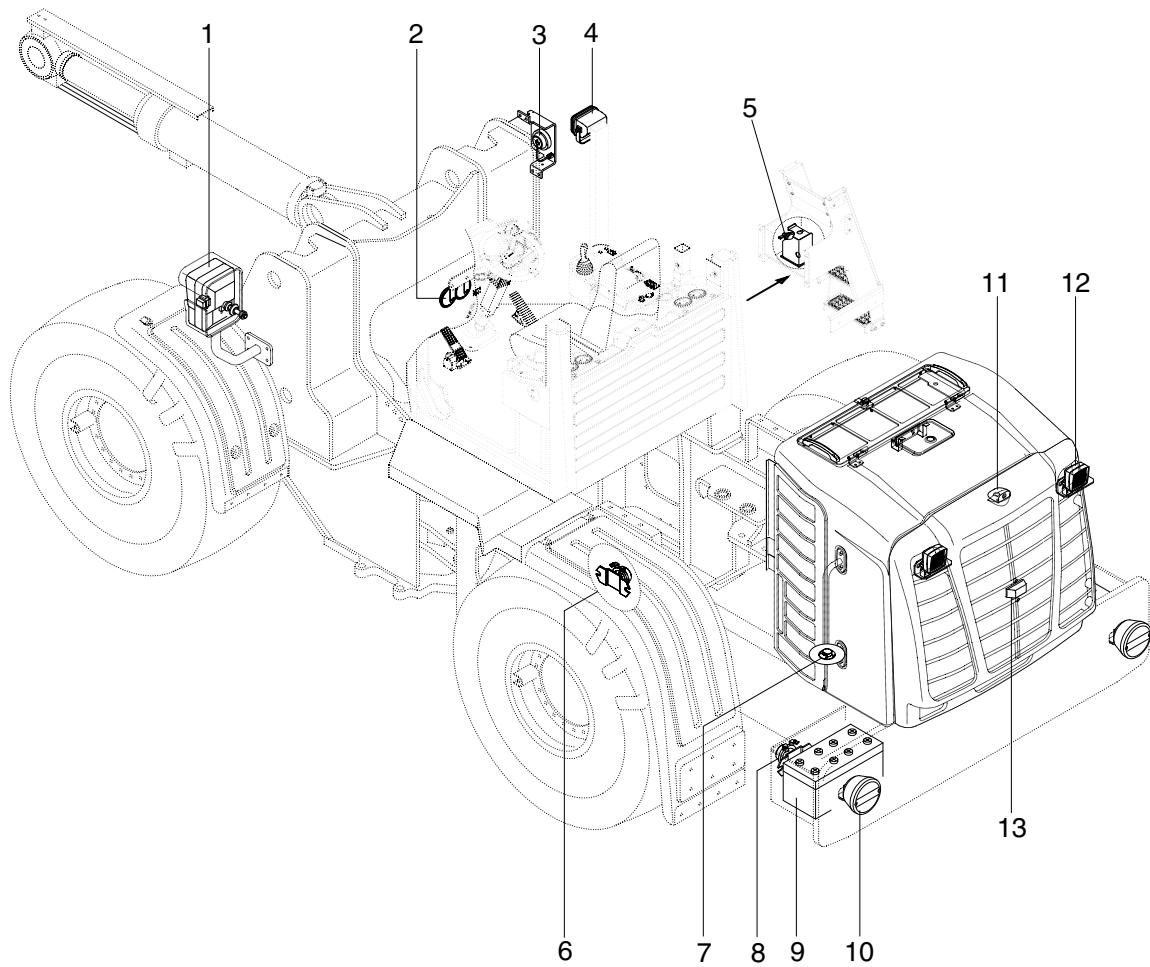
### 1. LOCATION 1



7809S7EL02

- |                               |                               |                               |
|-------------------------------|-------------------------------|-------------------------------|
| 1 Beacon switch (opt)         | 10 T/M shift mode switch      | 19 Parking brake switch       |
| 2 Rear wiper / washer switch  | 11 Clutch cut off mode switch | 20 Ride control switch (opt)  |
| 3 Mirror defrost switch       | 12 Multi function switch      | 21 Differential lock switch   |
| 4 Emergency test switch (opt) | 13 Horn switch                | 22 Machine control unit (MCU) |
| 5 Fan control switch          | 14 Monitor                    | 23 T/M control unit (TCU)     |
| 6 Main light switch           | 15 Radio & USB player         | 24 Engine control unit (ECU)  |
| 7 Work lamp switch            | 16 Aircon & heater switch     | 25 USB socket                 |
| 8 Kick down switch            | 17 Starting switch            |                               |
| 9 Hazard switch               | 18 Engine mode switch         |                               |

## 2. LOCATION 2



7809S7EL02-1

- |   |                  |    |                 |    |                   |
|---|------------------|----|-----------------|----|-------------------|
| 1 | Head lamp        | 6  | Start relay     | 11 | Camera (opt)      |
| 2 | Horn             | 7  | Fuel sender     | 12 | Work lamp         |
| 3 | Proximity switch | 8  | Battery relay   | 13 | Number plate lamp |
| 4 | Work lamp        | 9  | Battery         |    |                   |
| 5 | Master switch    | 10 | Rear combi lamp |    |                   |