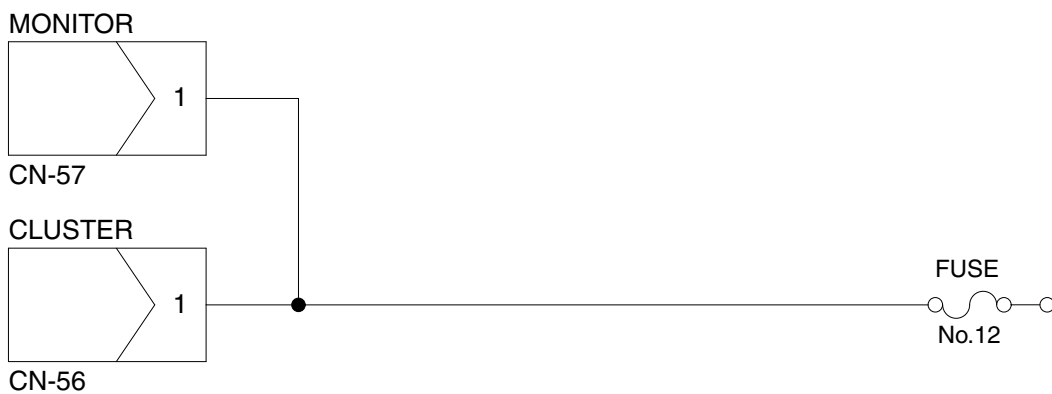


GROUP 6 TROUBLESHOOTING

1. WHEN STARTING SWITCH IS TURNED ON, CLUSTER AND MONITOR LAMP DOES NOT LIGHT UP

- Before carrying out below procedure, check all the related connectors are properly inserted and the fuse No.12 is not blown out and ON/OFF of bulb.
- After checking, connect the disconnected connectors again immediately unless otherwise specified.

Check voltage between CN-56 (1), CN-57(1) and chassis	YES	Defective cluster Defective monitor	Replace Replace
	NO	Disconnection in wiring harness or poor contact between CN-56 (1), CN-57 (1) and fuse No.12	Repair or replace (after clean)

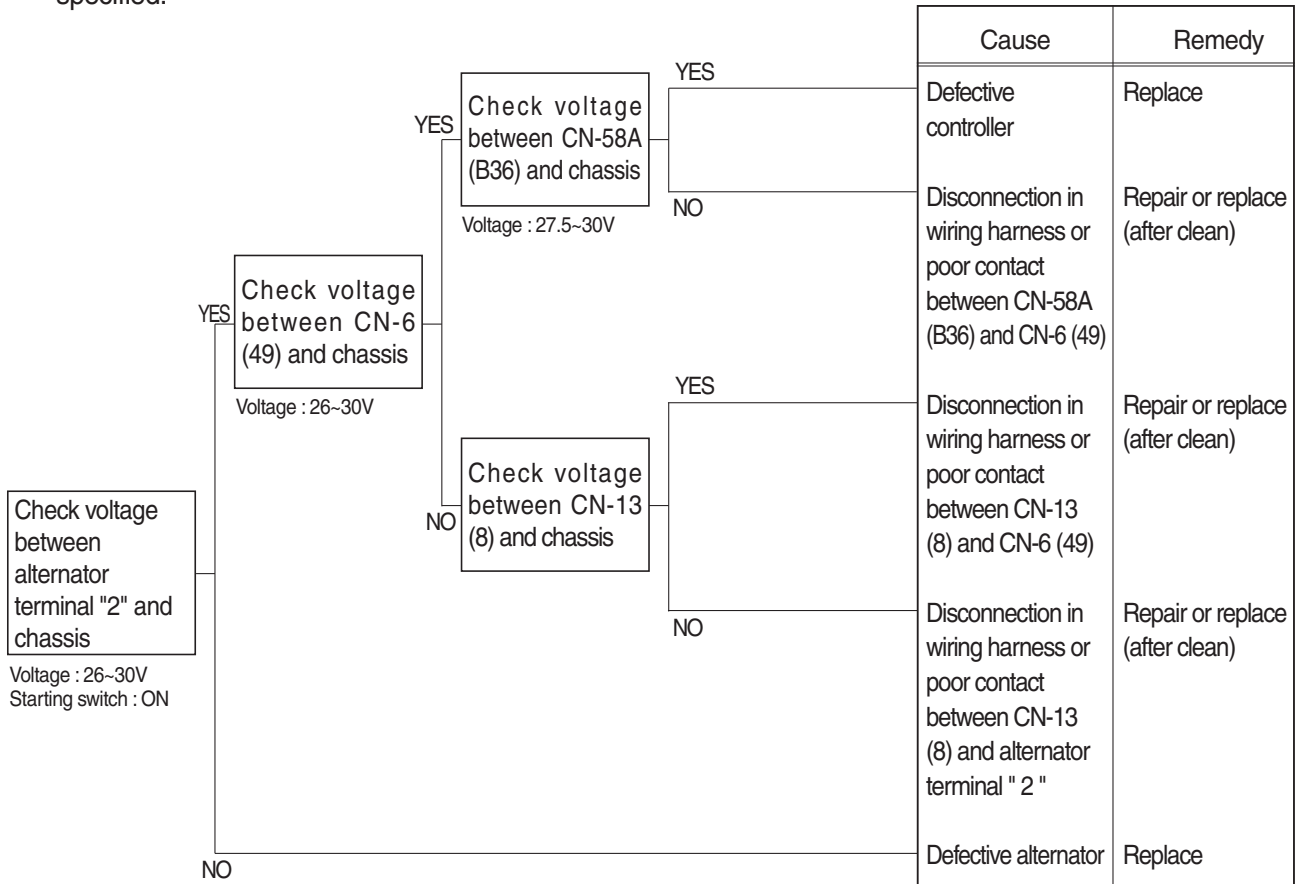


Check voltage

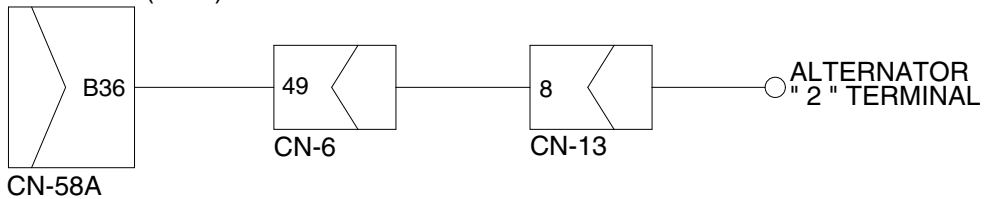
YES	20 ~ 30 V
NO	0 V

2.  **WHEN BATTERY LAMP LIGHTS UP** (engine is started)

- Before carrying out below procedure, check all the related connectors are properly inserted.
- After checking, connect the disconnected connectors again immediately unless otherwise specified.



CONTROLLER(MCU)



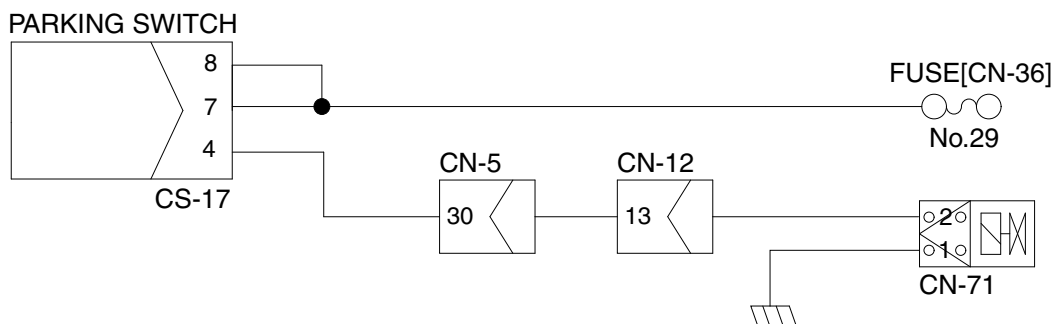
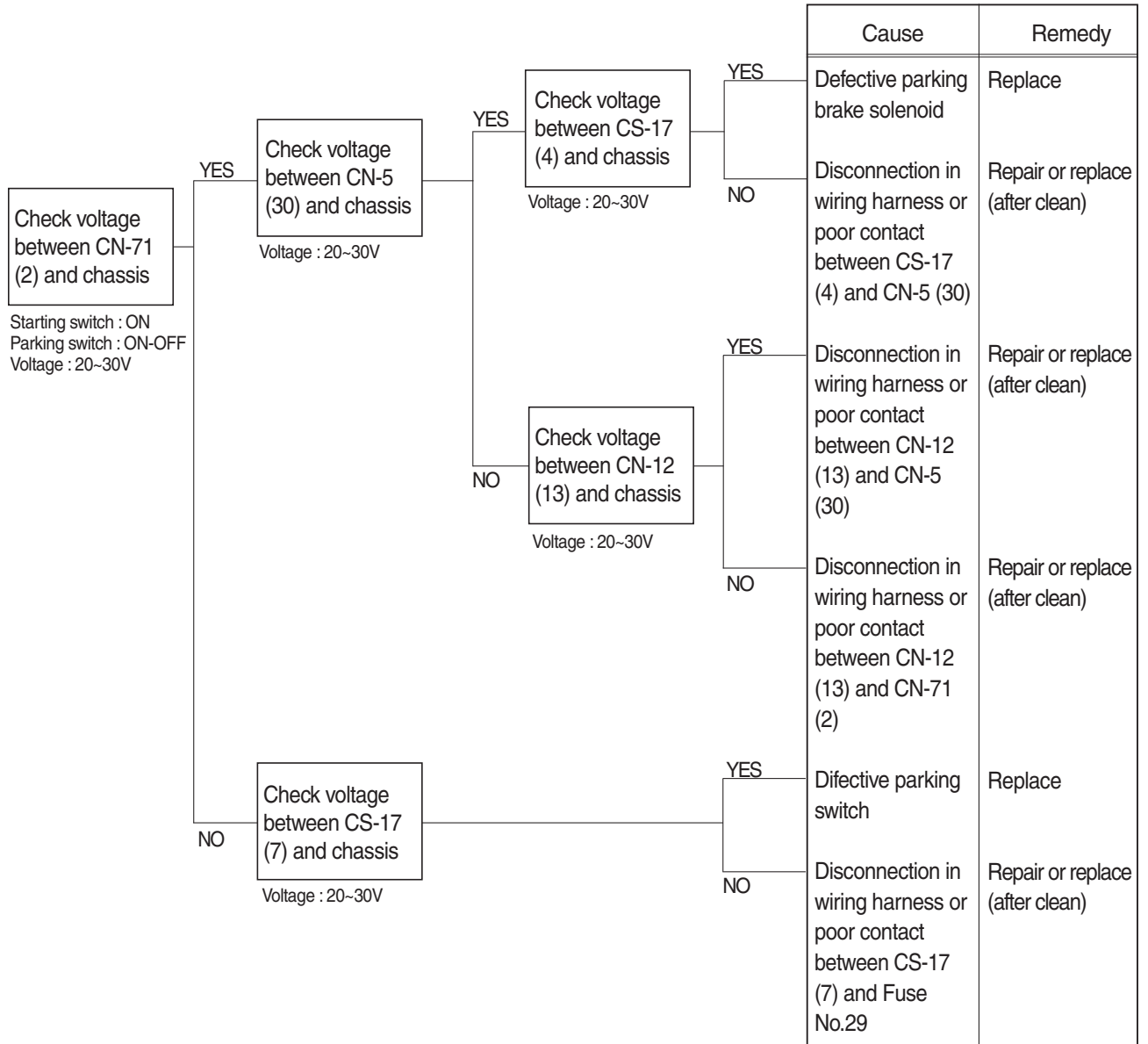
Check voltage

YES	20 ~ 30 V
NO	0 V

75797EL30

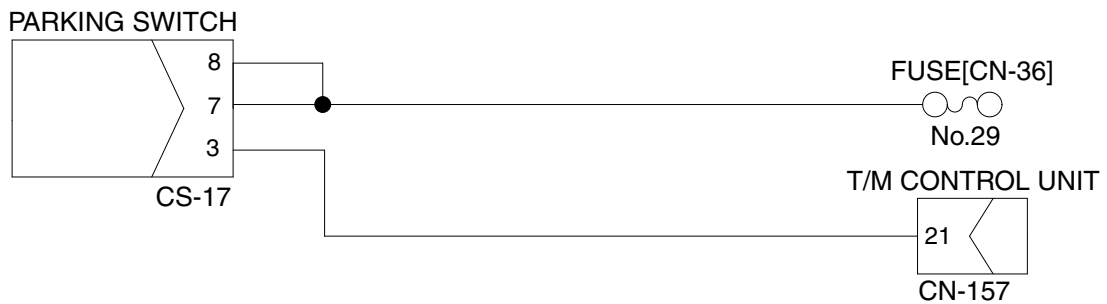
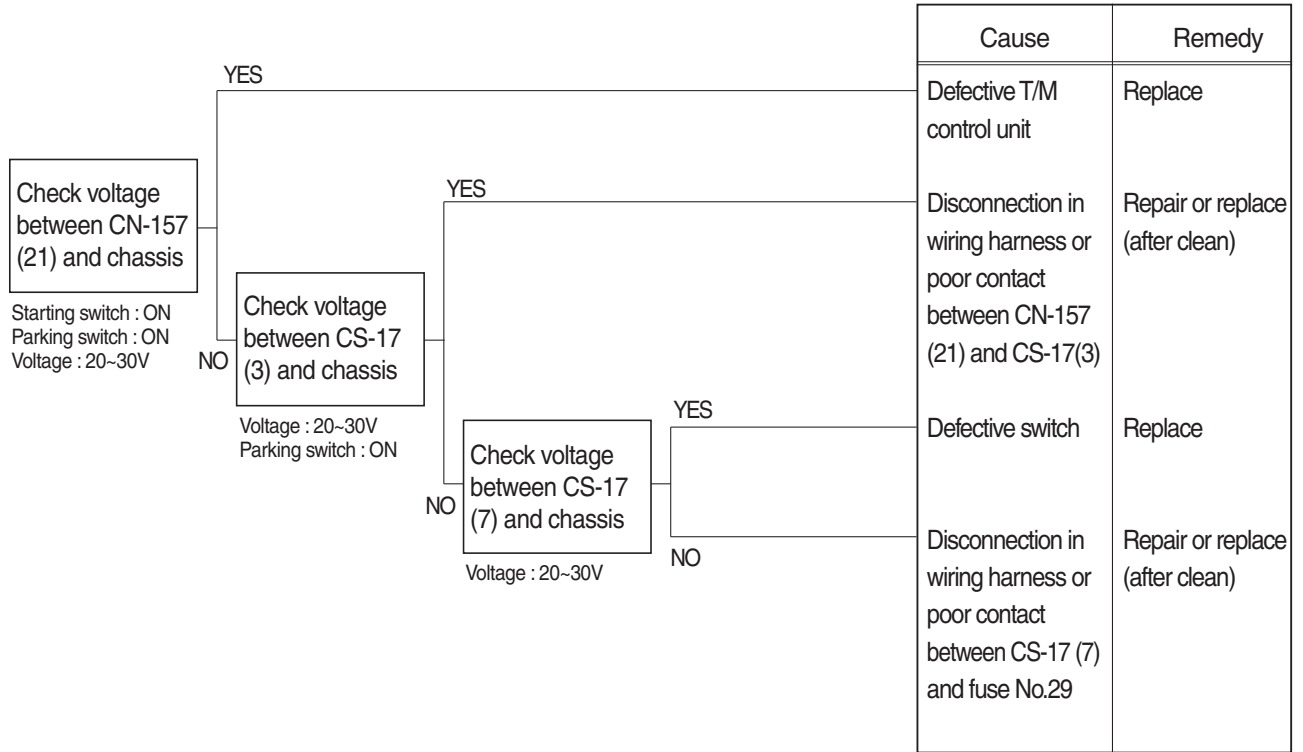
3. WHEN PARKING SOLENOID DOES NOT WORK

- Before carrying out below procedure, check all the related connectors are properly inserted and the fuse No.29 is not blown out.
- After checking, connect the disconnected connectors again immediately unless otherwise specified.



4. TRANSMISSION IS NOT RETURNED TO NEUTRAL WHEN PARKING BRAKE IS APPLIED

- Before carrying out below procedure, check all the related connectors are properly inserted and the fuse No.29 are not blown out.
- After checking, connect the disconnected connectors again immediately unless otherwise specified.



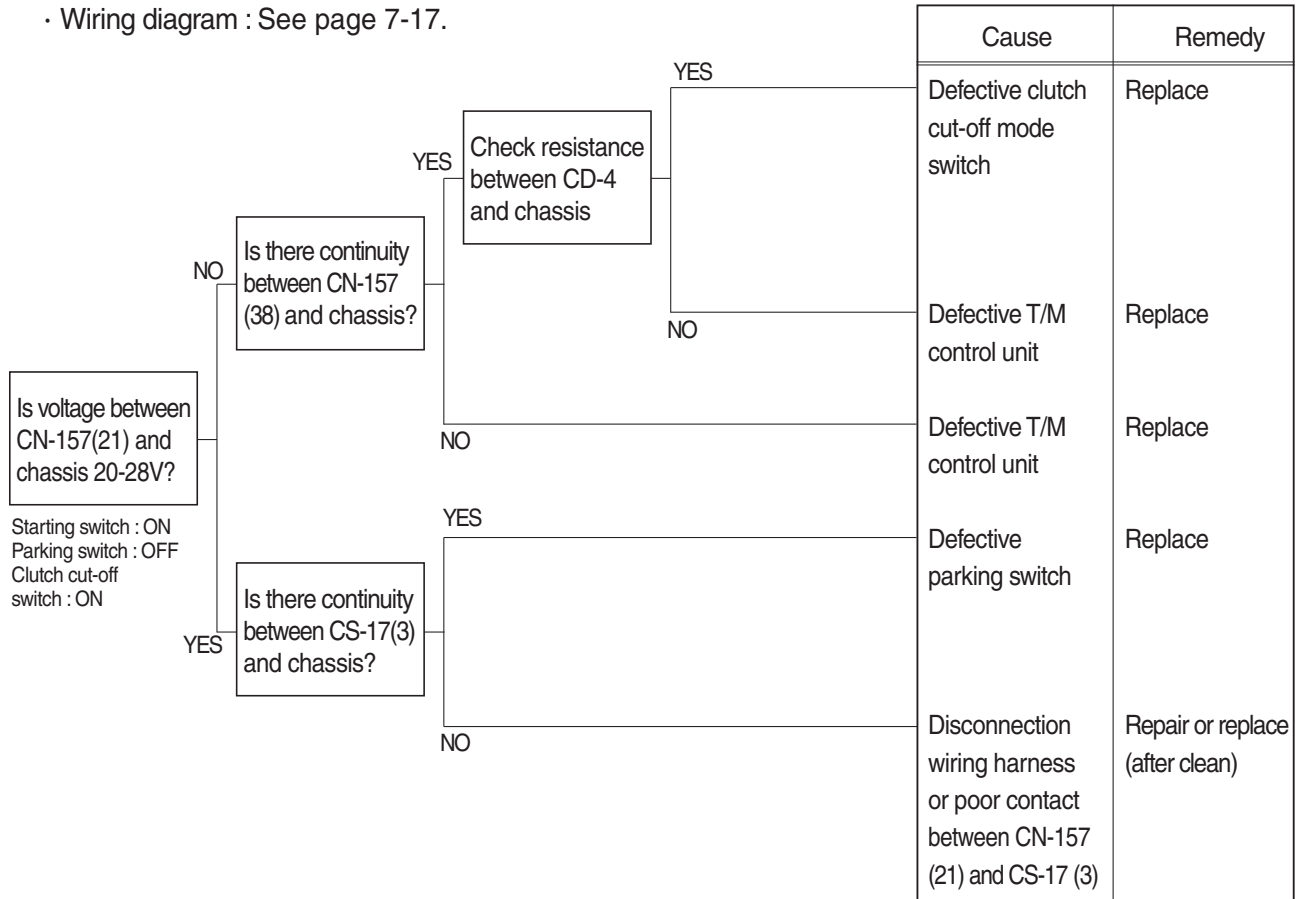
Check resistance

YES	MAX 1 Ω
NO	MIN 1M Ω

7609S7EL32

5. MACHINE DOES NOT TRAVEL

- Before carrying out below procedure, check all the related connectors are properly inserted and the fuse No.11 (transmission controller) is not blown out.
- After checking, connect the disconnected connectors again immediately unless otherwise specified.
- Wiring diagram : See page 7-17.

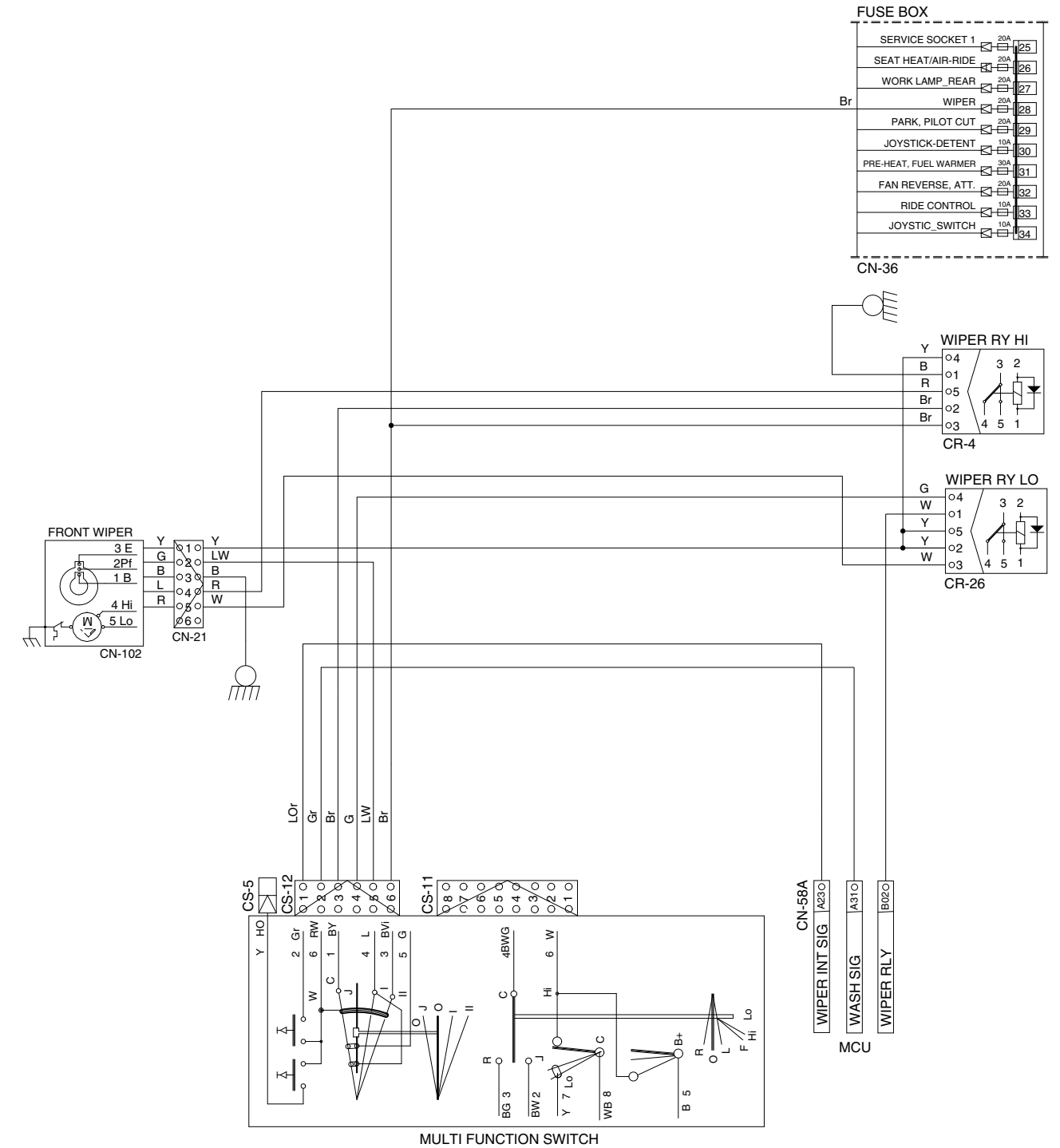
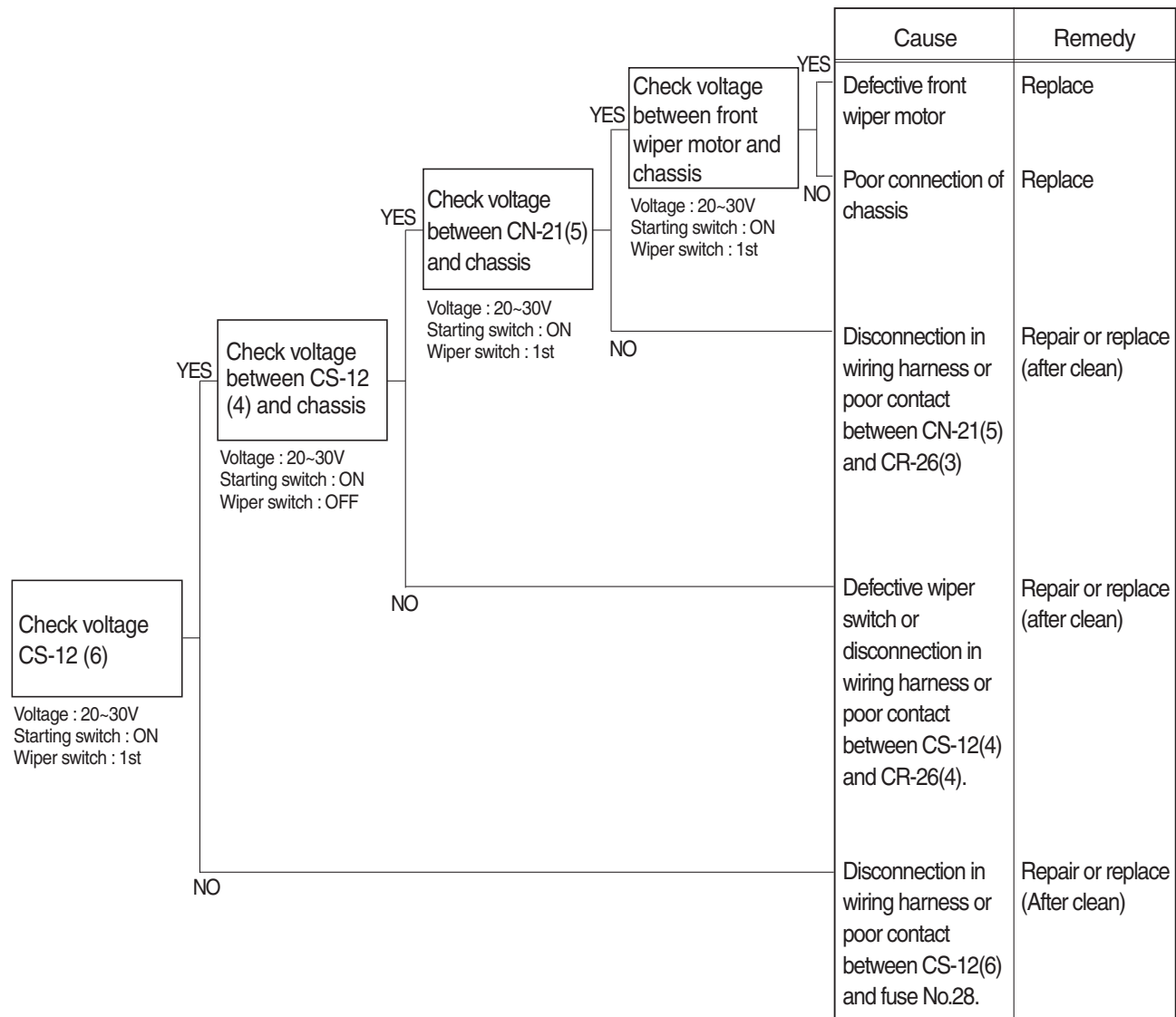


Check resistance

YES	MAX 1 Ω
NO	MIN 1M Ω

6. WHEN STARTING SWITCH IS TURNED ON, WIPER MOTOR DOES NOT OPERATE

- Before carrying out below procedure, check all the related connectors are properly inserted and the fuse No.28 is not blown out.
- After checking, connect the disconnected connectors again immediately unless otherwise specified.



8. WHEN STARTING SWITCH IS TURNED ON, WORK LAMP DOES NOT LIGHTS UP

- Before carrying out below procedure, check all the related connectors are properly inserted, and the fuse No.16, 27 is not blown out.
- After checking, connect the disconnected connectors again immediately unless otherwise specified.

