

## GROUP 5 CONNECTORS

### 1. CONNECTOR DESTINATION

Connector number	Type	No. of pin	Destination	Connector part No.	
				Female	Male
CN-1	58	2	I/conn(Frame harness-Main harness)	S813-030200	S813-130200
CN-2	SWP	12	I/conn(Frame harness-Main harness)	S814-012000	S814-112000
CN-3	SWP	8	I/conn(Frame harness-Main harness)	S814-008000	S814-108000
CN-4	SWP	12	I/conn(Frame harness-Main harness)	S814-012000	S814-112000
CN-5	SWP	8	I/conn(Cab harness-Main harness)	S814-008000	S814-108000
CN-6	SWP	12	I/conn(Gauge harness-Main harness)	S814-012000	S814-112000
CN-7	SWP	14	I/conn(Gauge harness-Main harness)	S814-014000	S814-114000
CN-8	SWP	14	I/conn(Front harness-Main harness)	S814-014000	S814-114000
CN-9	SWP	8	I/conn(T/M check hrarness-Main harness)	S814-008000	S814-108000
CN-10	SWP	4	I/conn(Rear cowl harness-Frame harness)	S814-004000	S814-104000
CN-11	SWP	6	I/conn(Frame harness-Front cowl harness)	S814-006000	S814-106000
CN-12	-	12	AC AVA assembly	S814-012000	-
CN-13	-	8	AC AVA assembly	S810-008202	-
CN-15	-	10	I/conn(Main harness-T/M harness)	6029-199-085	-
CN-16	-	10	I/conn(Main harness-T/M harness)	6029-199-085	-
CN-20	-	1	Horn	S819-010122	-
CN-21	-	6	Front wiper motor	6189-01330	-
CN-22	-	2	Front washer tank	S814-002000	-
CN-23	Shur	1	Speaker(LH)	S822-014000	S822-114004
CN-24	Shur	1	Speaker(RH)	S822-014000	S822-114004
CN-25	-	1	Horn	S819-010122	-
CN-26	Fasten	2	Warning buzzer	S810-002202	-
CN-27	PA	9	Cassette and radio	S811-009003	-
CN-28	-	2	Comp(Air-con)	0297-3407	-
CN-29	BS	2	Receiver drier	21L7-12000	-
CN-30	PA	13	Aircon controller	S811-013002	-
CN-36	-	-	Fuse box	24L1-04100	-
CN-45	Ring term	-	Starter	S820-414000	-
CN-48	-	2	Hour meter	S819-010112	-
CN-58	-	36	Check unit	344111-1	-
CN-60	58	2	Fusible link	-	S813-130200
CN-65	Shur	1	Back up buzzer	S822-014000	-
CN-71	J	2	Parking solenoid	S816-002001	-
CN-74	Ring term	-	Alternator	S820-406000	-

Connector number	Type	No. of pin	Destination	Connector part No.	
				Female	Male
CN-78	Shur	2	Ether	S822-014000	-
CN-79	Ring term	-	Fuel cut off solenoid	-	S820-105000
CN-83	-	2	Aircon fan	PH805-02028	-
CN-100	J	3	Boom kick out	S816-003001	-
CN-101	J	3	Bucket leveler	S816-003001	-
CN-102	-	6	Rear wiper motor	6189-01330	-
CN-103	-	2	Rear washer tank	S814-002000	-
CN-104	Ring term	-	Volt meter	-	S821-105000
CN-107	Ring term	-	Fuel gauge	-	S821-105000
CN-111	Buchse socket	35	Control unit	-	6029-199-004
CN-112	Buchse socket	6	Transmission WG/PW	-	6029-199-018
CN-117	Ring term	-	Water temp	-	S821-105000
CN-119	Ring term	-	Transmission temp	-	S821-105000
CN-127	-	8	Speed meter	1630070	-
CN-135	Mate-N-Lok	3	Diagnostic	-	6029-199-030
CN-136	-	2	Ride control valve	827551-2	-
CN-137	1	2	Ride control solenoid	S816-002001	-
CN-144	Fasten	8	Joy stick	S810-008202	-
<b>Relay</b>					
CR-1	Ring term	-	Battery relay	S820-104000	-
CR-2	Fasten	4	Horn relay	S810-004202	-
CR-4	Fasten	6	Wiper relay	S810-006202	-
CR-5	Fasten	2	Safety relay	S810-006202	-
CR-11	Fasten	3	Flasher unit	S810-003702	-
CR-23	J	2	Start relay	S816-002003	-
CR-30	Fasten	4	Back up relay	S810-004202	-
CR-35	Fasten	6	Ride control relay	S810-006202	-
<b>Switch</b>					
CS-2	SWP	6	Start key switch	S814-006000	-
CS-3	SWF	10	Rear wiper switch	593757	-
CS-5	Shur	1	Horn switch	S822-014000	-
CS-11	SWP	8	Multi function switch	S814-008000	-
CS-12	SWP	6	Multi function switch	S814-006000	-
CS-17	SWF	10	Parking switch	593757	-
CS-21	SWF	10	Front work lamp switch	593757	-
CS-22	SWF	10	Rear lamp switch	593757	-
CS-23	SWF	10	Beacon switch	593757	-

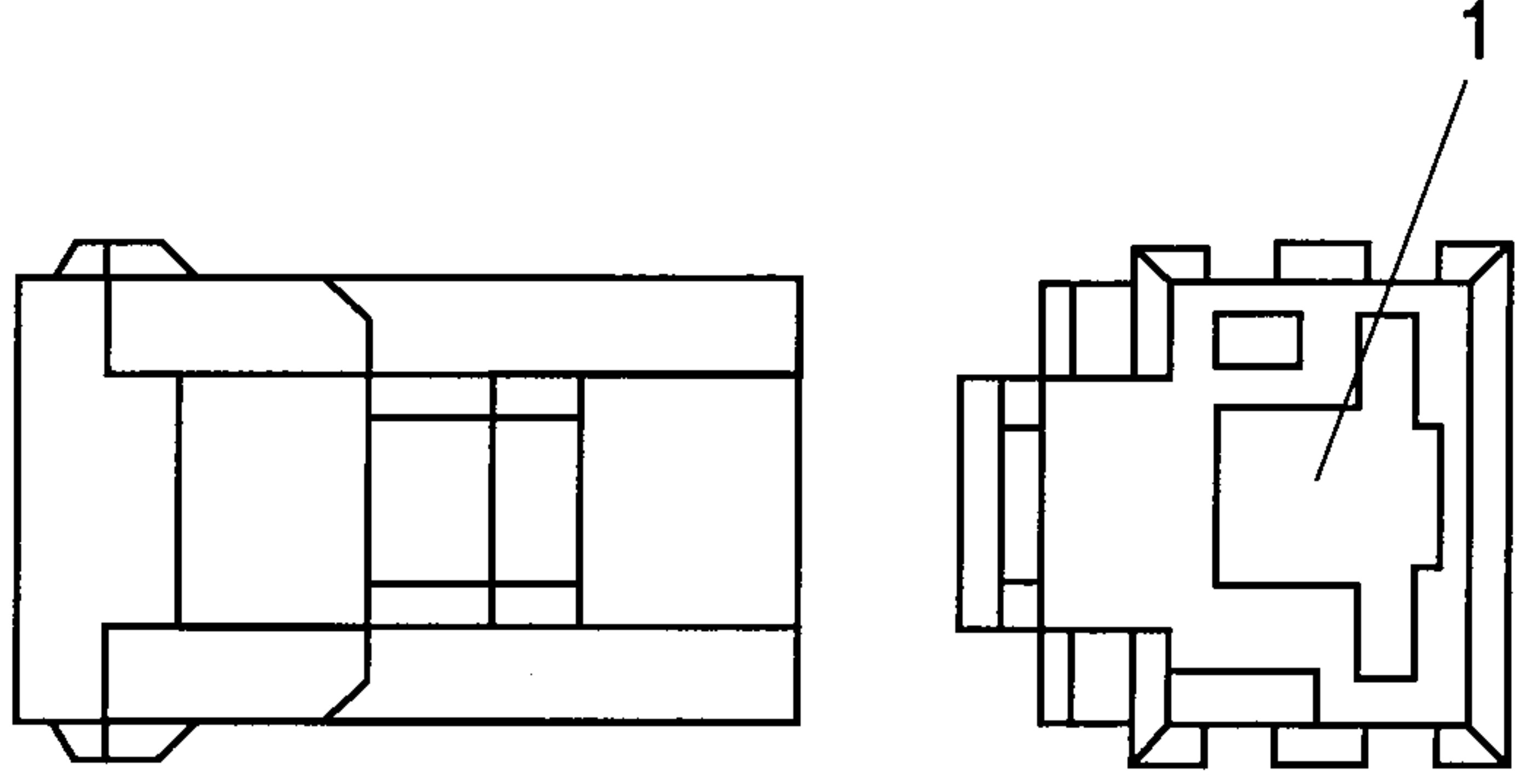
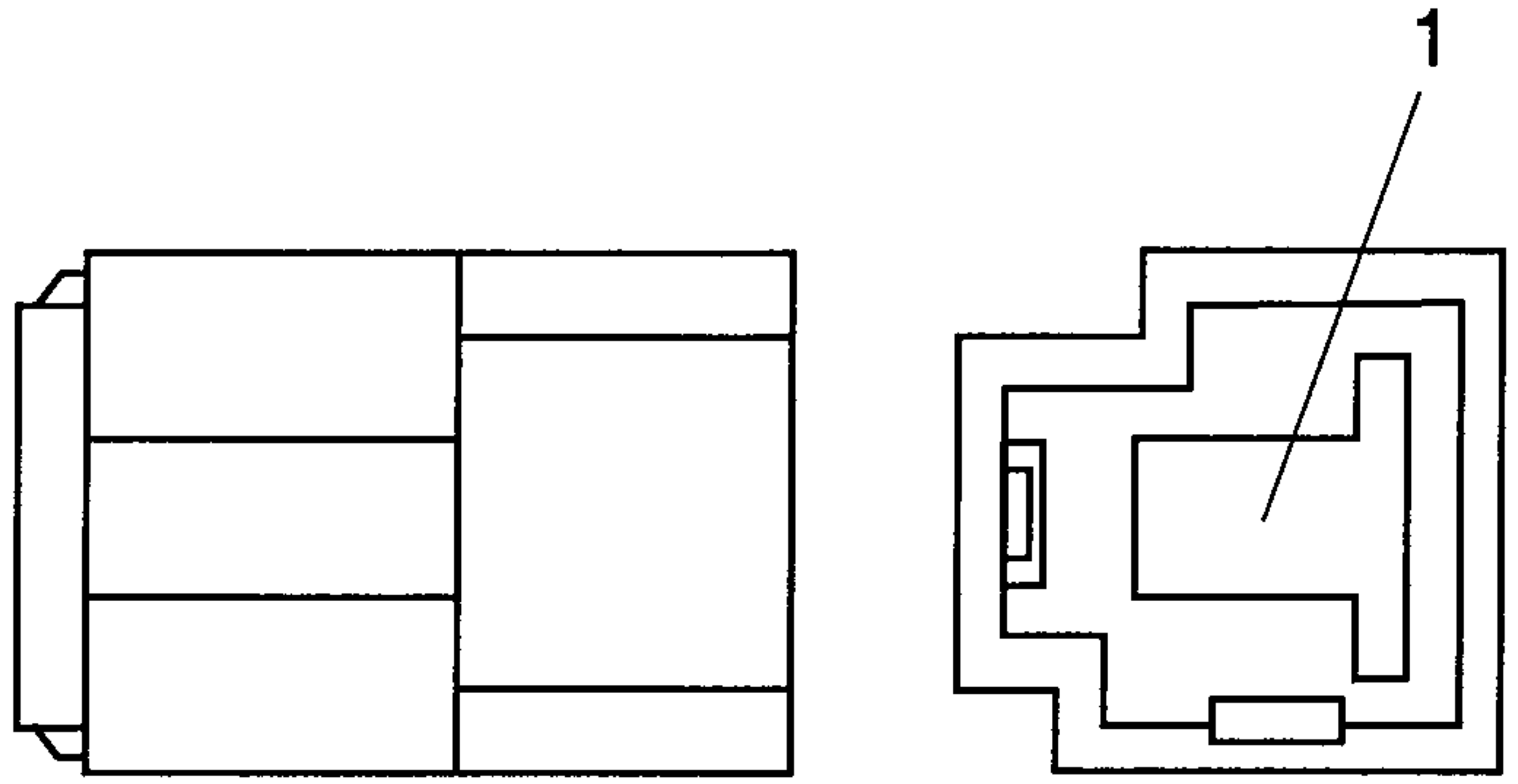
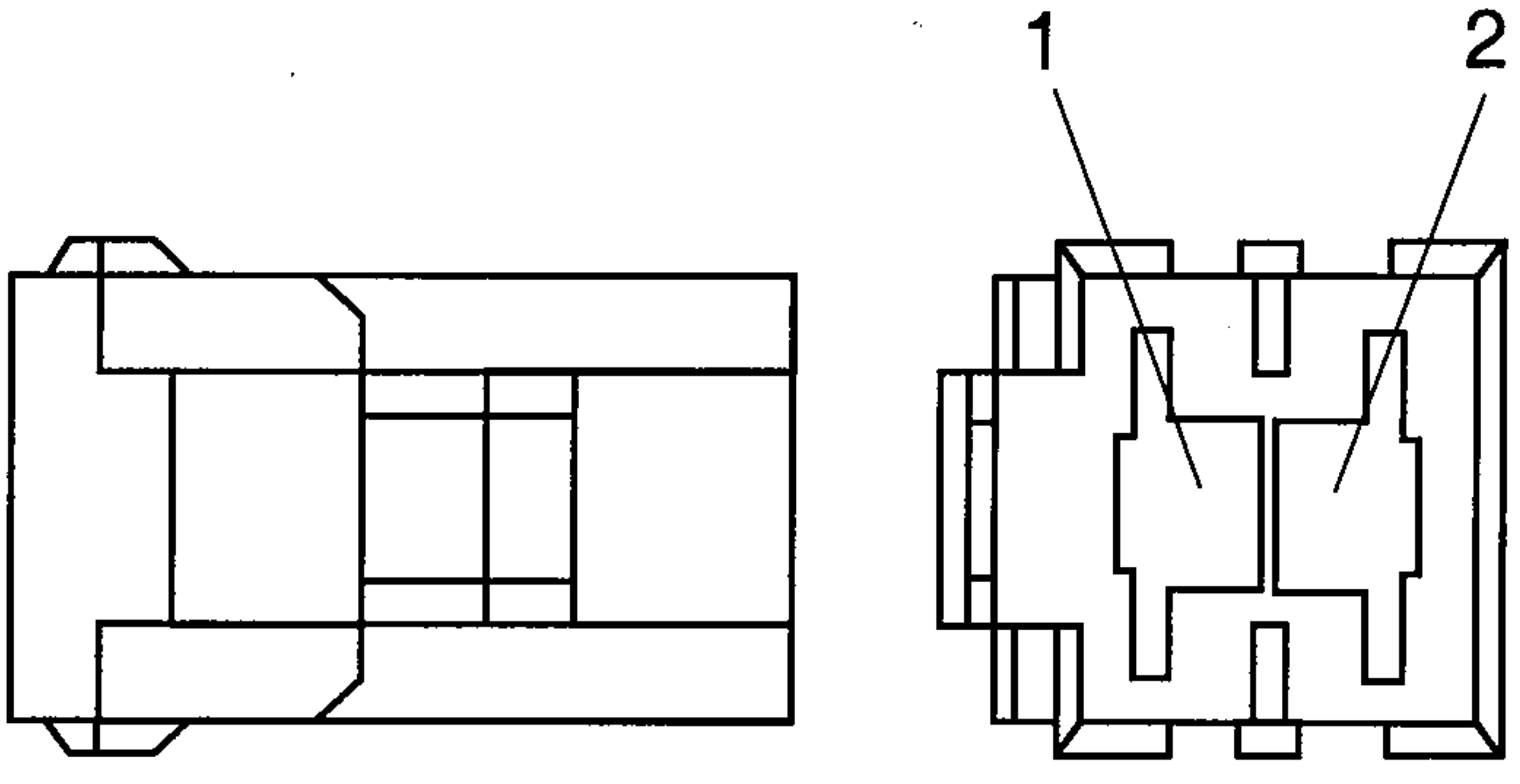
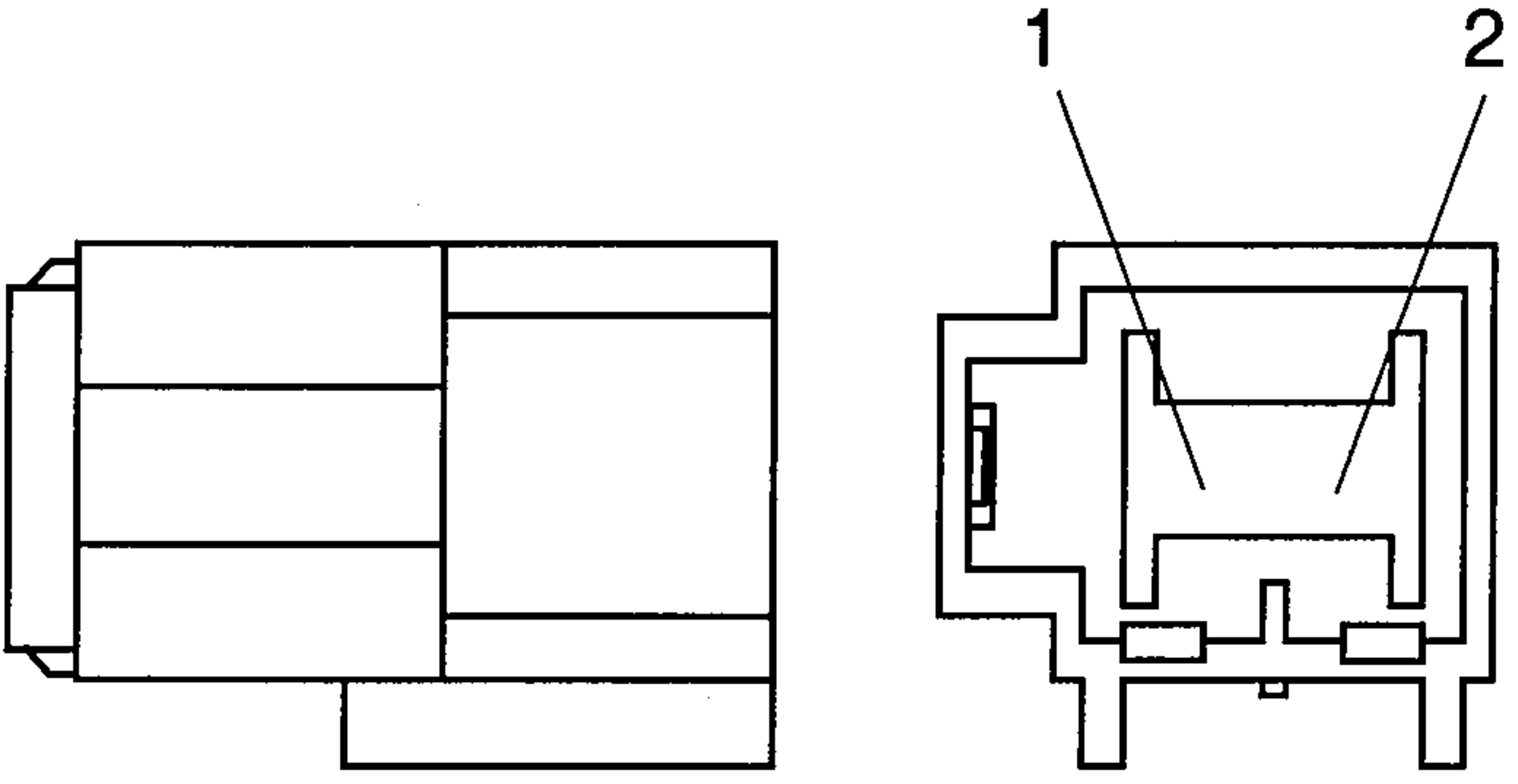


Connector number	Type	No. of pin	Destination	Connector part No.	
				Female	Male
CS-30	SWF	10	Ether	593757	-
CS-34	SWF	10	Buzzer stop switch	593757	-
CS-39	SWF	10	Illumination and head lamp switch	593757	-
CS-41	SWF	10	Hazard switch	593757	-
CS-42	SWF	10	Clutch cut off switch	593757	-
CS-50	SWF	10	Ride control switch	593757	-
CS-51	SWF	10	Auto/manual switch	593757	-
CS-54	SWF	10	Aircon switch	593757	-
CS-58	Fasten	6	Blower switch	S810-006202	-
<b>Light</b>					
CL-1	-	2	Room lamp	MG610392	-
CL-2	Faten	3	Cigar lighter	S810-003202	-
CL-3	SWP	4	Head light(LH)	S814-004000	-
CL-4	SWP	4	Head light(RH)	S814-004000	-
CL-5	SWP	2	Work light(LH)	S814-002000	-
CL-6	SWP	2	Work light(RH)	S814-002000	-
CL-7	Fasten	1	Beacon lamp	S810-001202	-
CL-15	SWP	4	Combi lamp(RR, LH)	S814-004000	-
CL-16	SWP	4	Combi lamp(RR, RH)	S814-004000	-
CL-21	SWP	2	Numberplate lamp	S814-002000	-
CL-22	SWP	2	Work light(LH)	S814-002000	-
CL-23	SWP	2	Work light(RH)	S814-002000	-
CL-24	SWP	2	Turn lamp(LH)	S814-002000	-
CL-25	SWP	2	Turn lamp(RH)	S814-002000	-
CL-41	SWF	2	Hi beam lamp(Dash board)	913328	-
CL-42	SWF	2	Turn lamp(LH, Dash board)	913328	-
CL-43	SWF	2	Turn lamp(RH, Dash board)	913328	-
CL-44	SWF	2	Parking lamp(Dash board)	913328	-
CL-45	SWF	2	Brake fail lamp(Dash board)	913328	-
CL-46	SWF	2	Charge lamp(Dash board)	913328	-
CL-47	SWF	2	Hydraulic oil lamp(Dash board)	913328	-
CL-48	SWF	2	Over heat lamp(Dash board)	913328	-
CL-49	SWF	2	Engine oil lamp(Dash board)	913328	-
CL-50	SWF	2	Air cleaner lamp(Dash board)	913328	-
CL-51	SWF	2	Transmission oil lamp(Dash board)	913328	-
CL-52	SWF	2	Transmission error lamp(Dash board)	913328	-
CL-53	SWF	2	Steering pressure lamp	913328	-
CL-54	SWF	2	Steering pump pressure lamp	913328	-

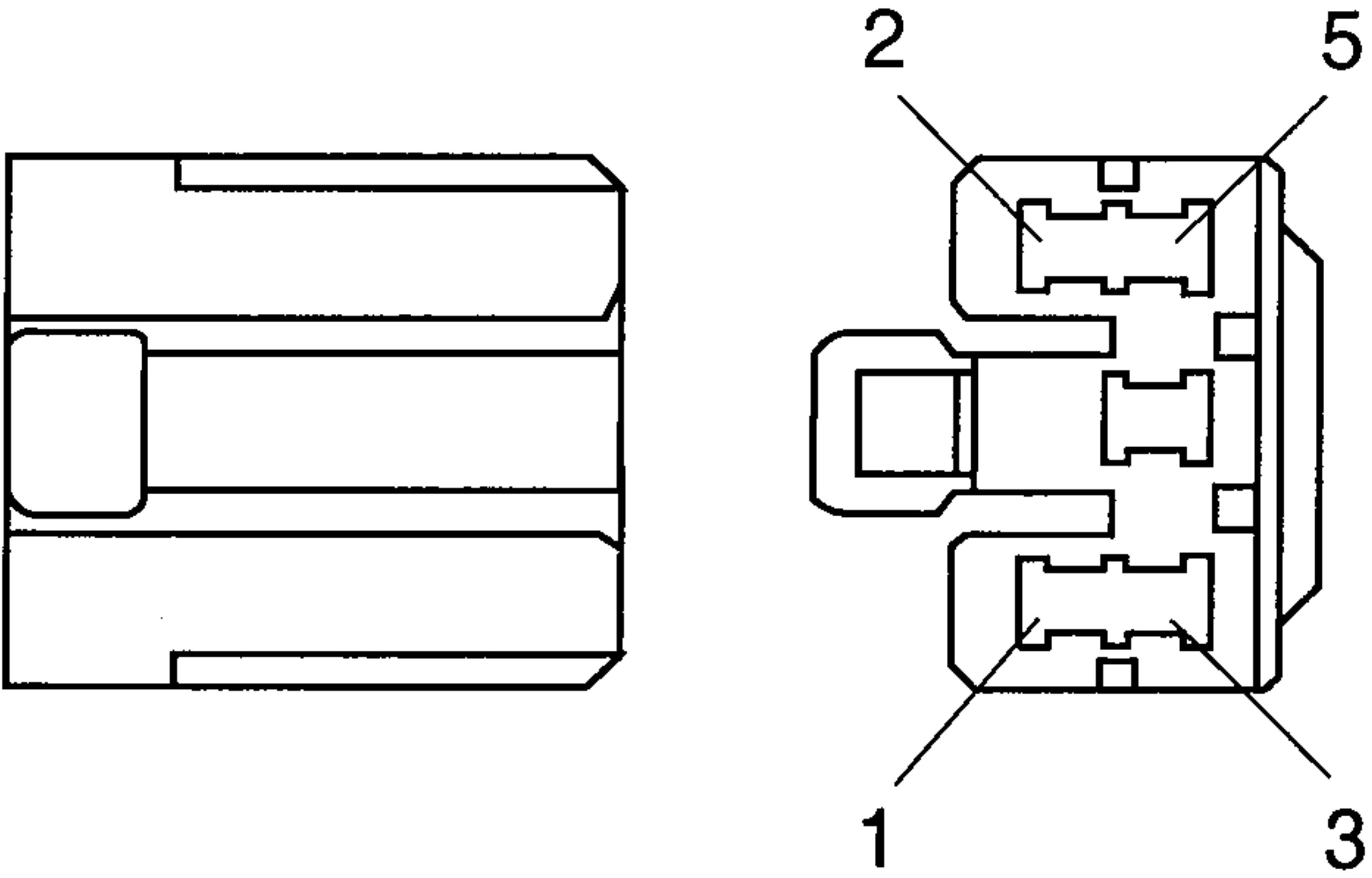
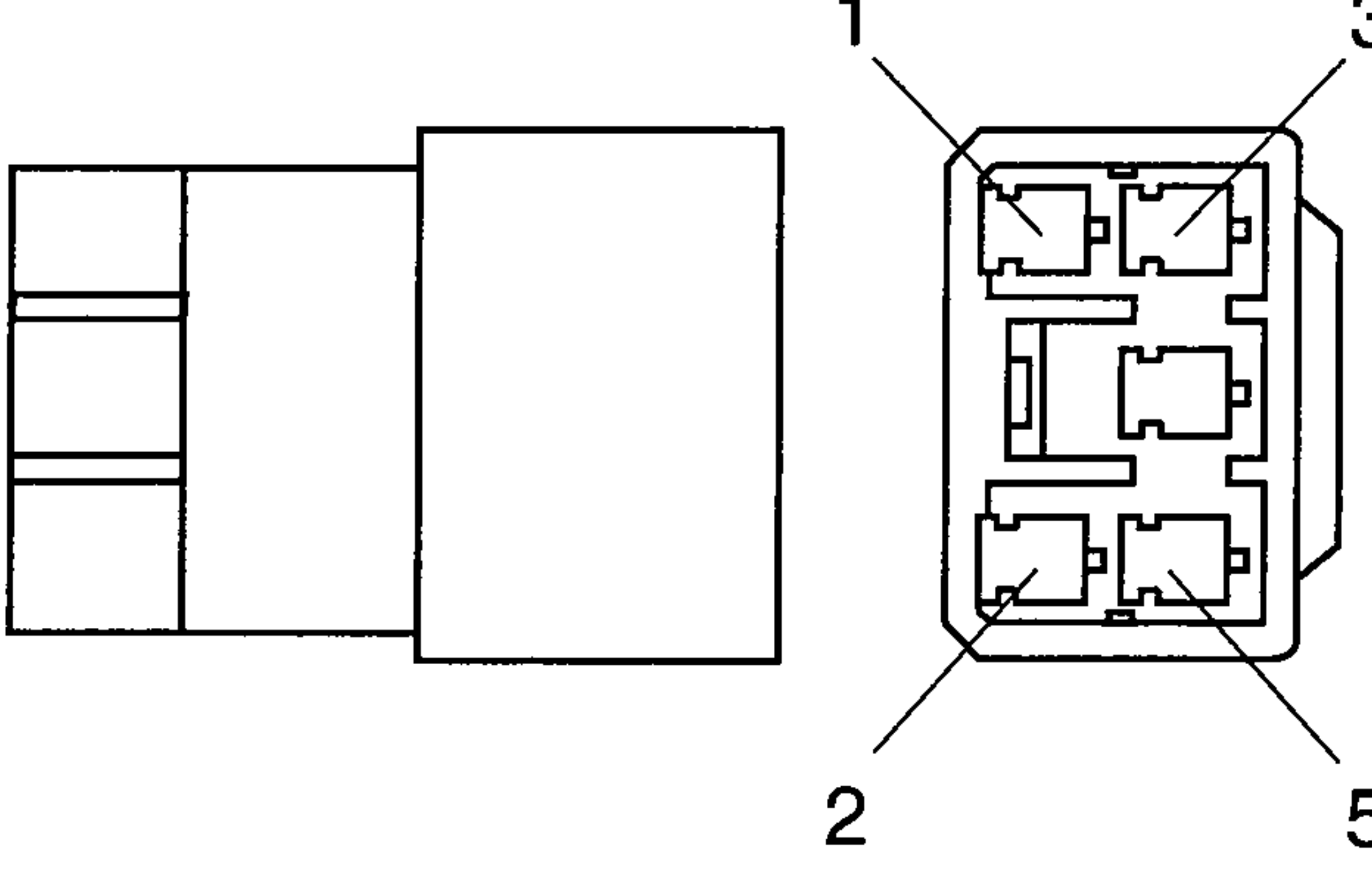
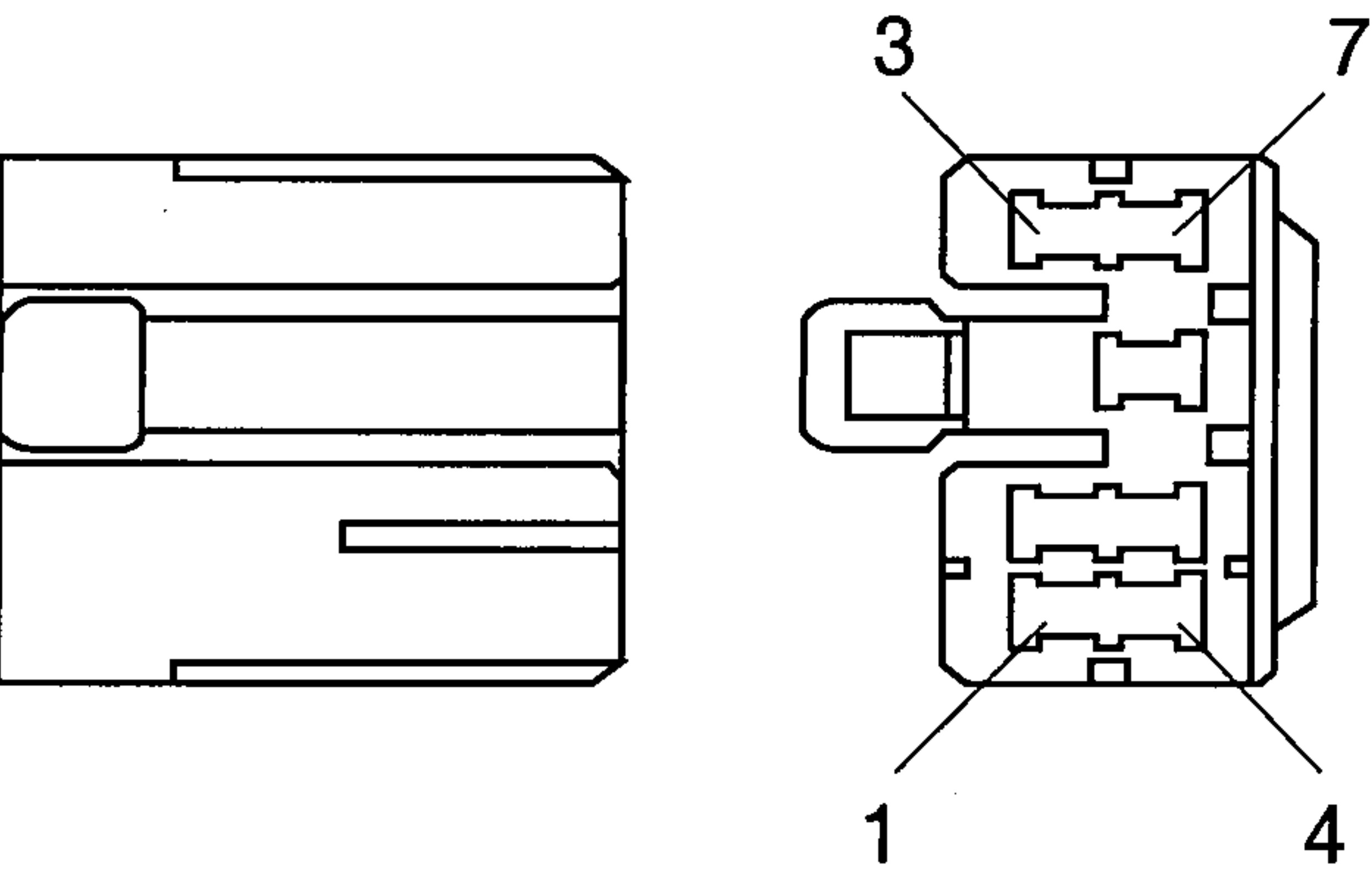
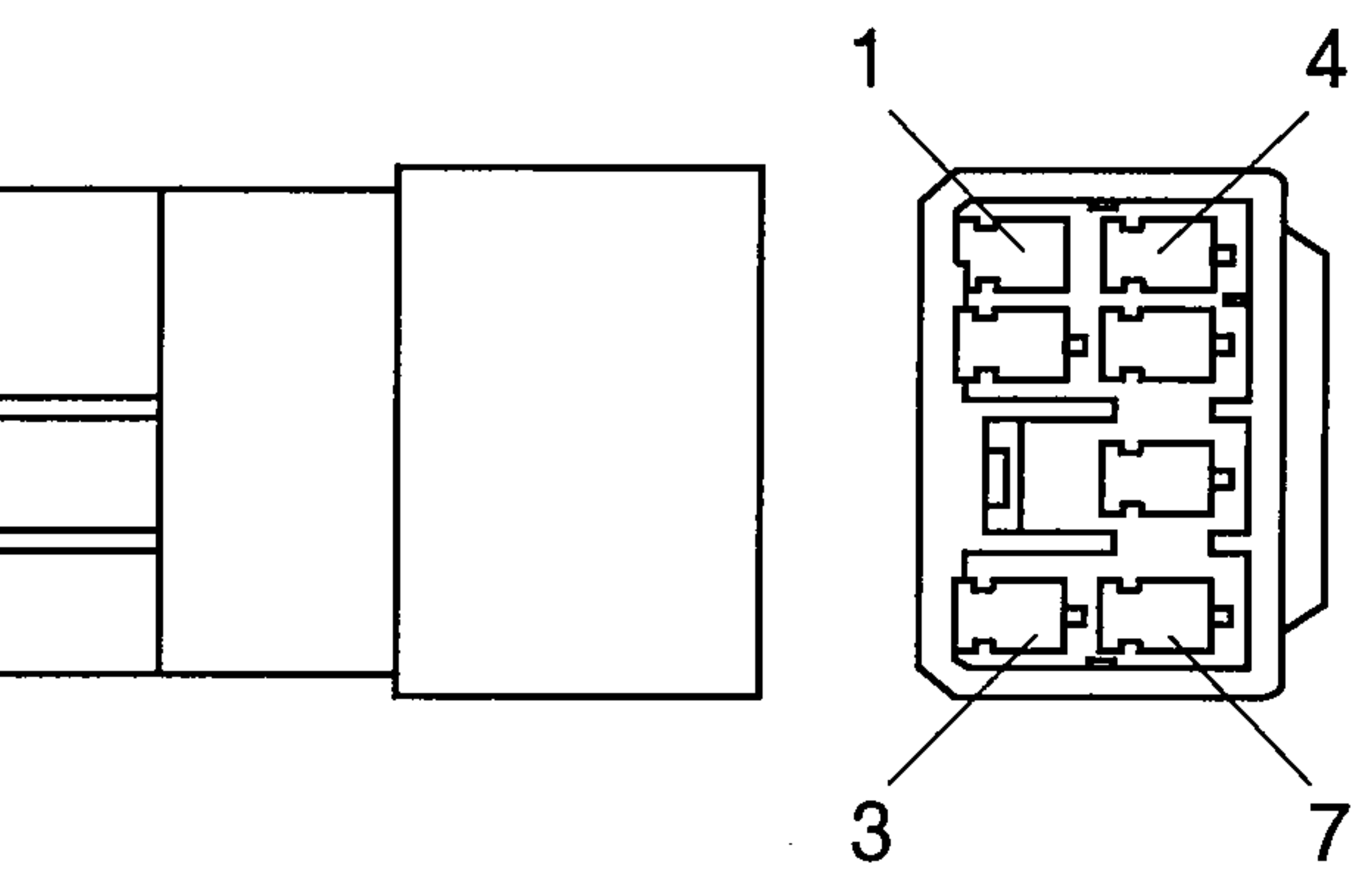
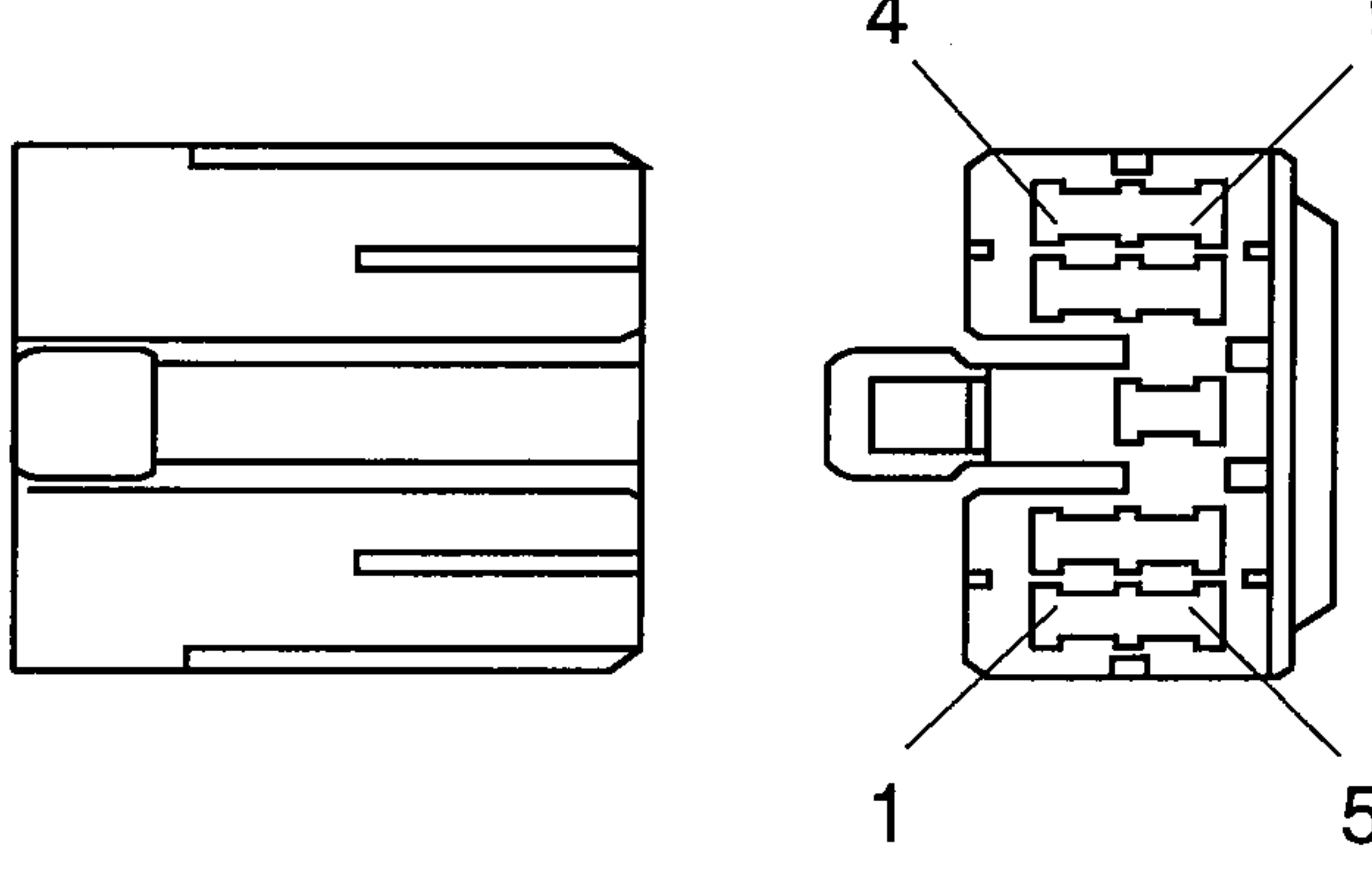
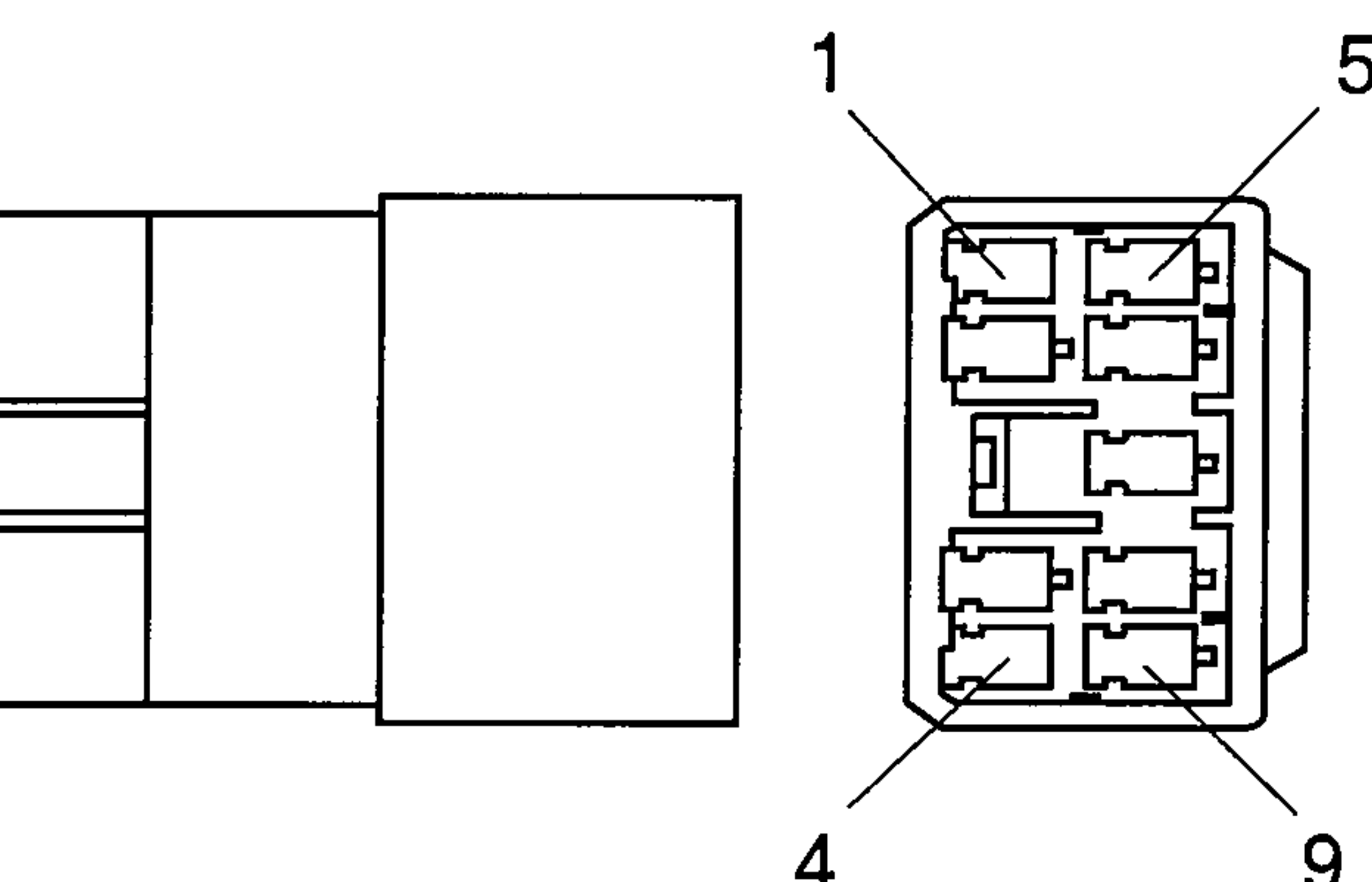
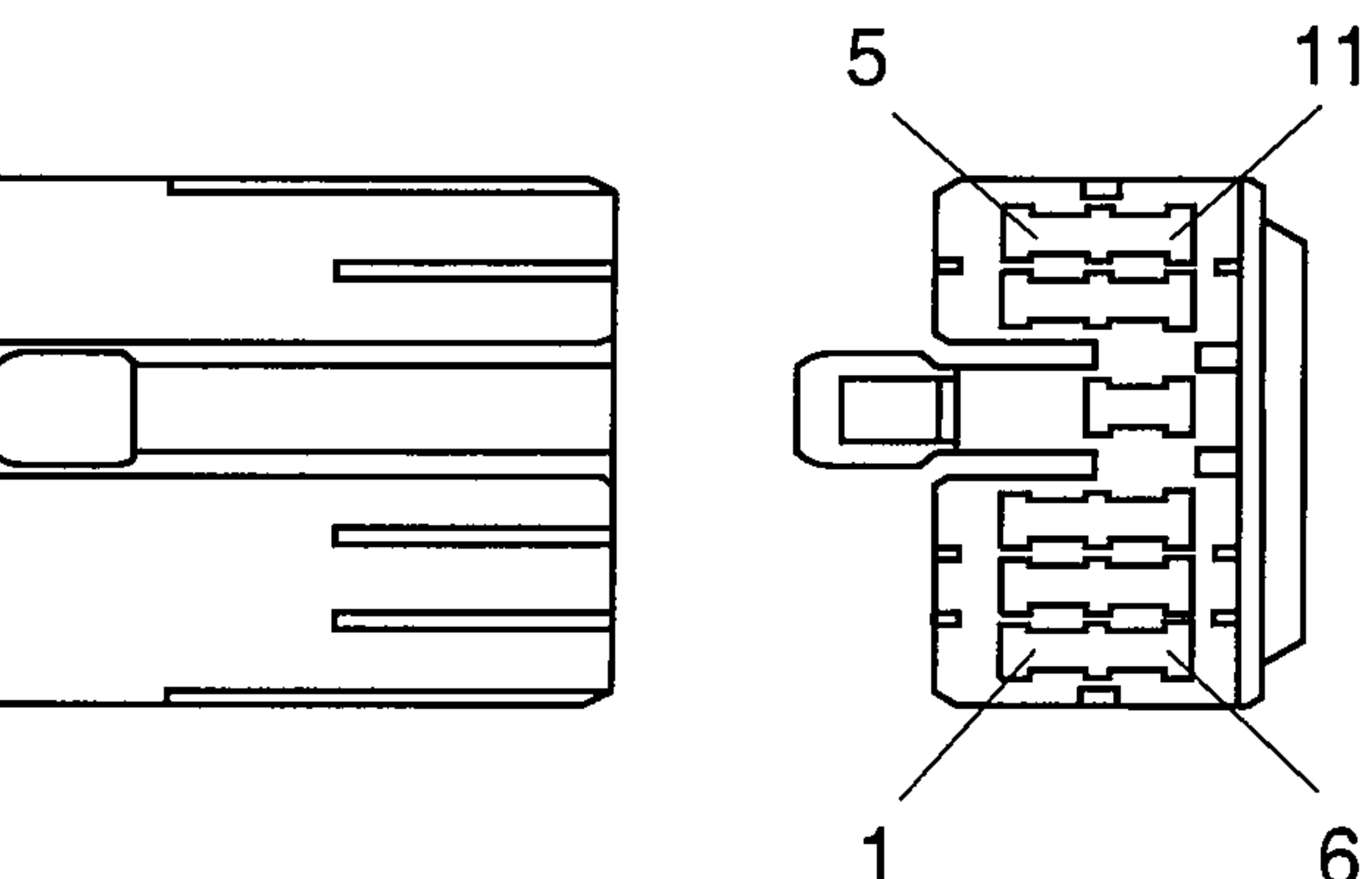
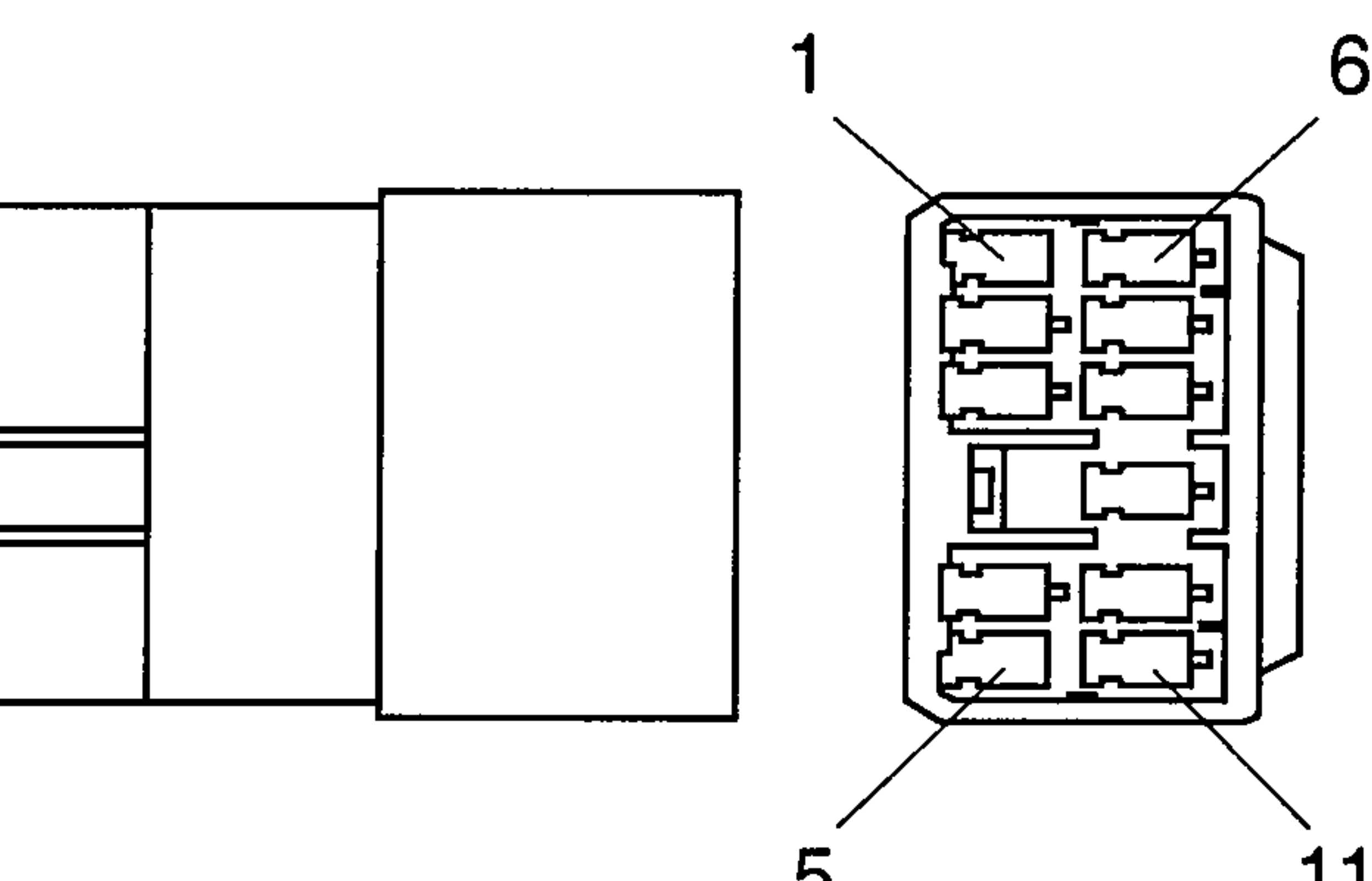
Connector number	Type	No. of pin	Destination	Connector part No.	
				Female	Male
<b>Sensor, sender</b>					
CD-1	-	1	Hydraulic oil temp sensor	1-150656	-
CD-2	SWP	2	Fuel sensor	S814-002000	-
CD-3	Rubber cap	-	Brake fail pressure switch	21EA-00310	-
CD-4	Rubber cap	-	Stop lamp pressure switch	21EA-00300	-
CD-5	Rubber cap	-	Clutch cut off pressure switch	21EA-00310	-
CD-8	Ring term	-	Water temp sensor	-	S820-105000
CD-9	-	1	Over heat switch	S819-010122	-
CD-10	Ring term	2	Air cleaner switch	S820-105000	-
CD-18	Ring term	-	Engine oil pressure switch	-	S820-105000
CD-25	-	-	Transmission oil pressure switch	S819-010122	-
CD-26	Rubber cap	-	Parking pressure switch	21EA-00310	-
CD-29	Ring term	-	Transmission temp sensor	-	S820-106000
CD-39	-	2	Steering pressure switch	S819-010122	-
CD-40	-	2	Steering pump pressure switch	S819-010122	-
CD-41	Rubber cap	-	Boom down pressure switch	21EA-00310	-

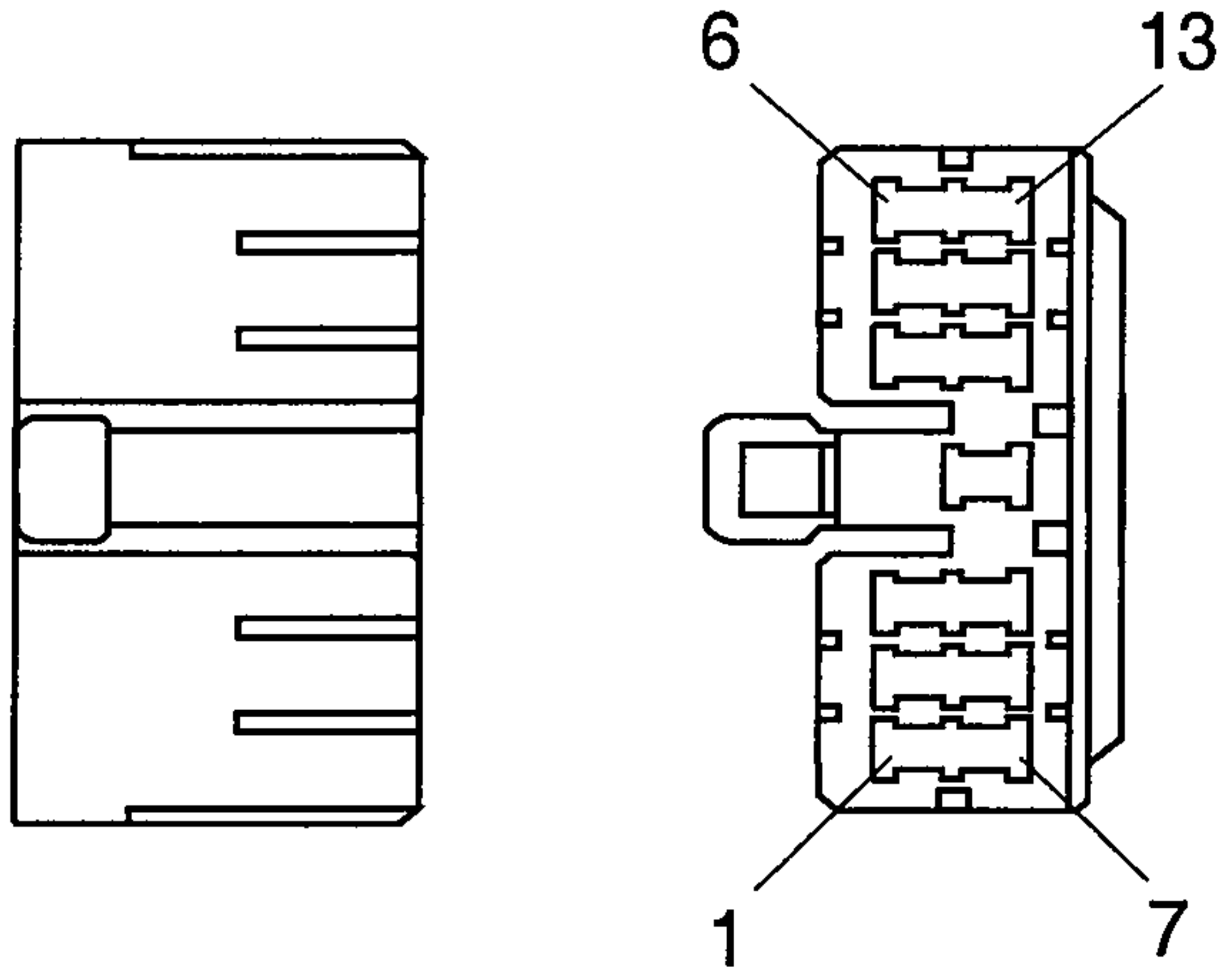
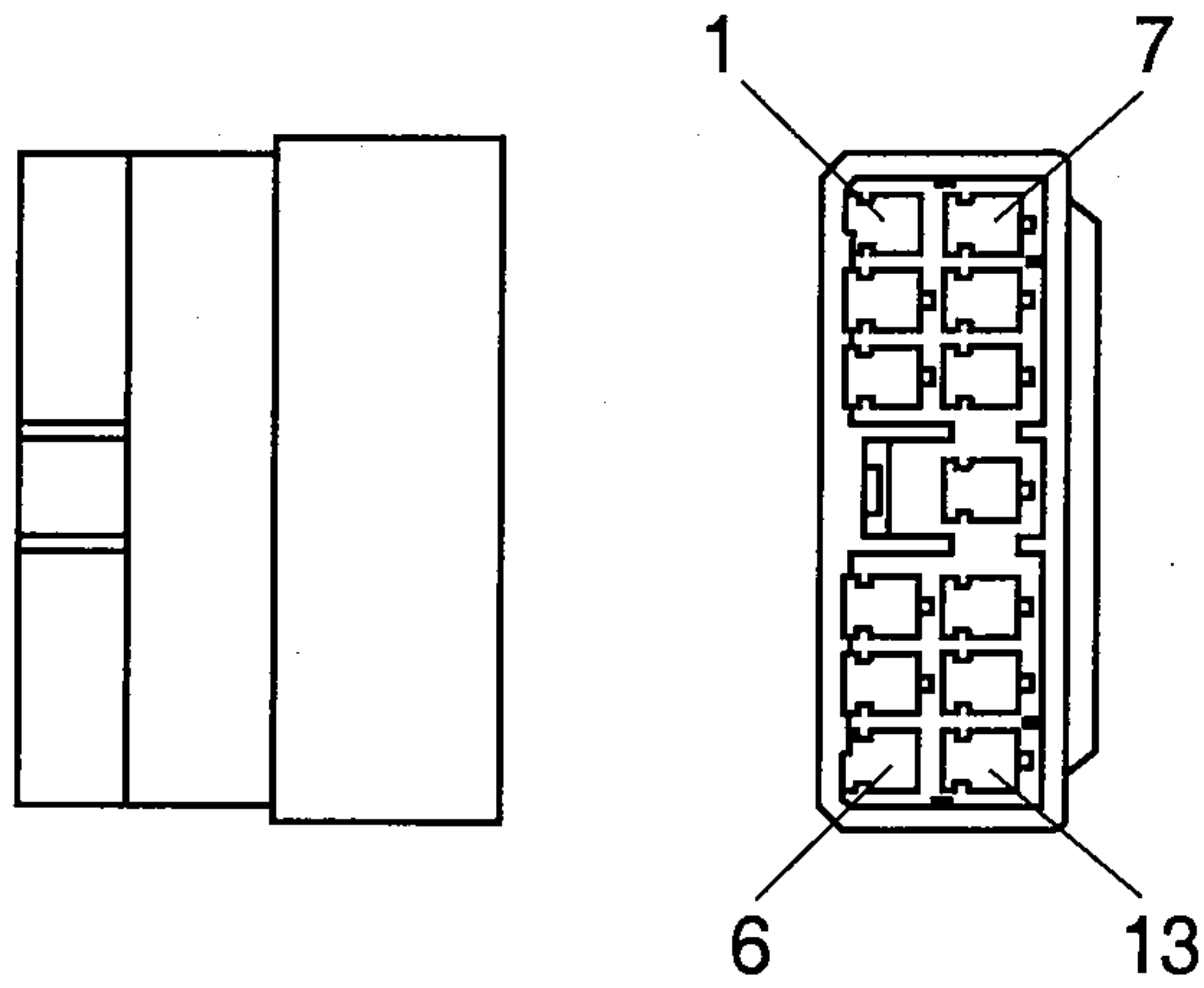
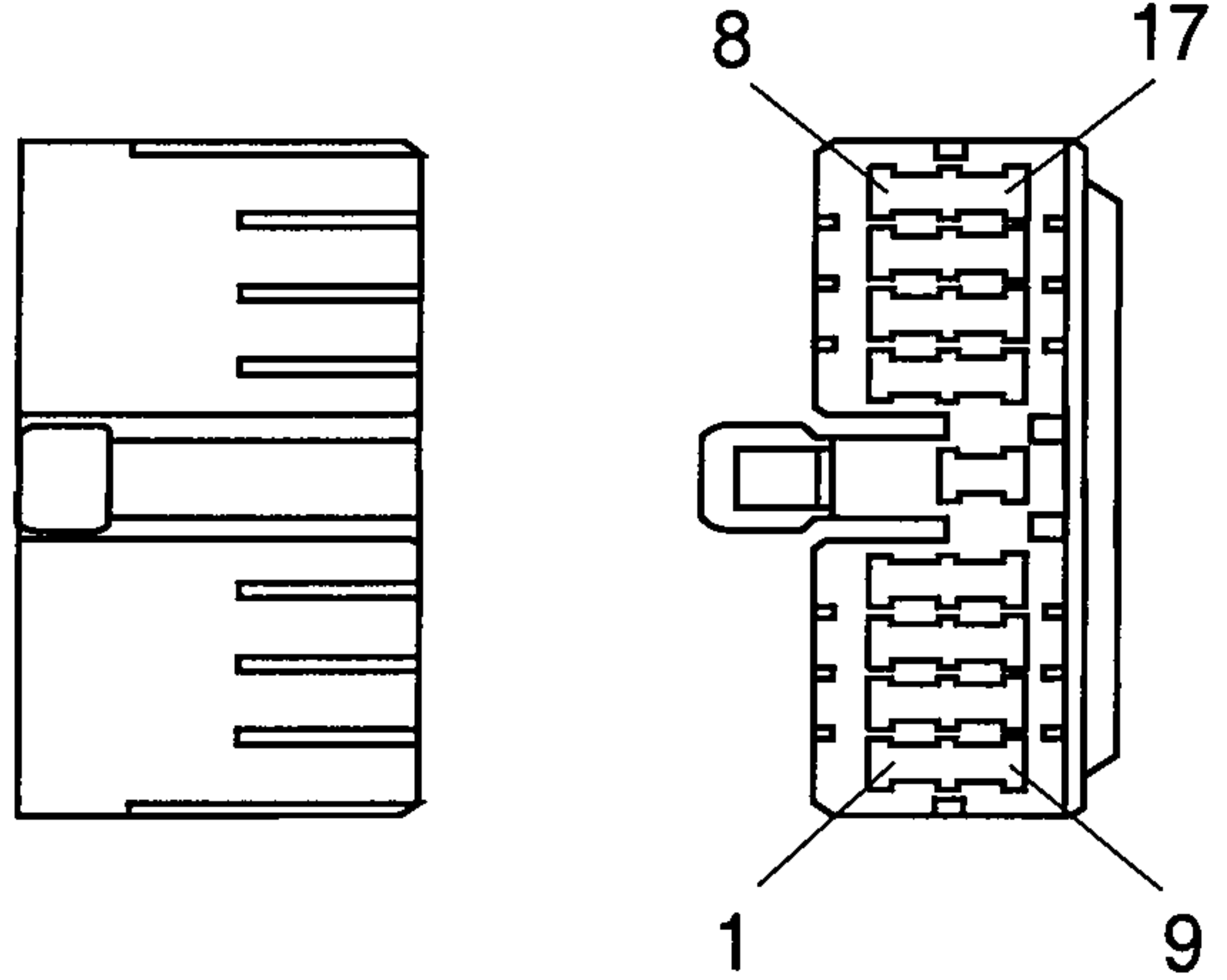
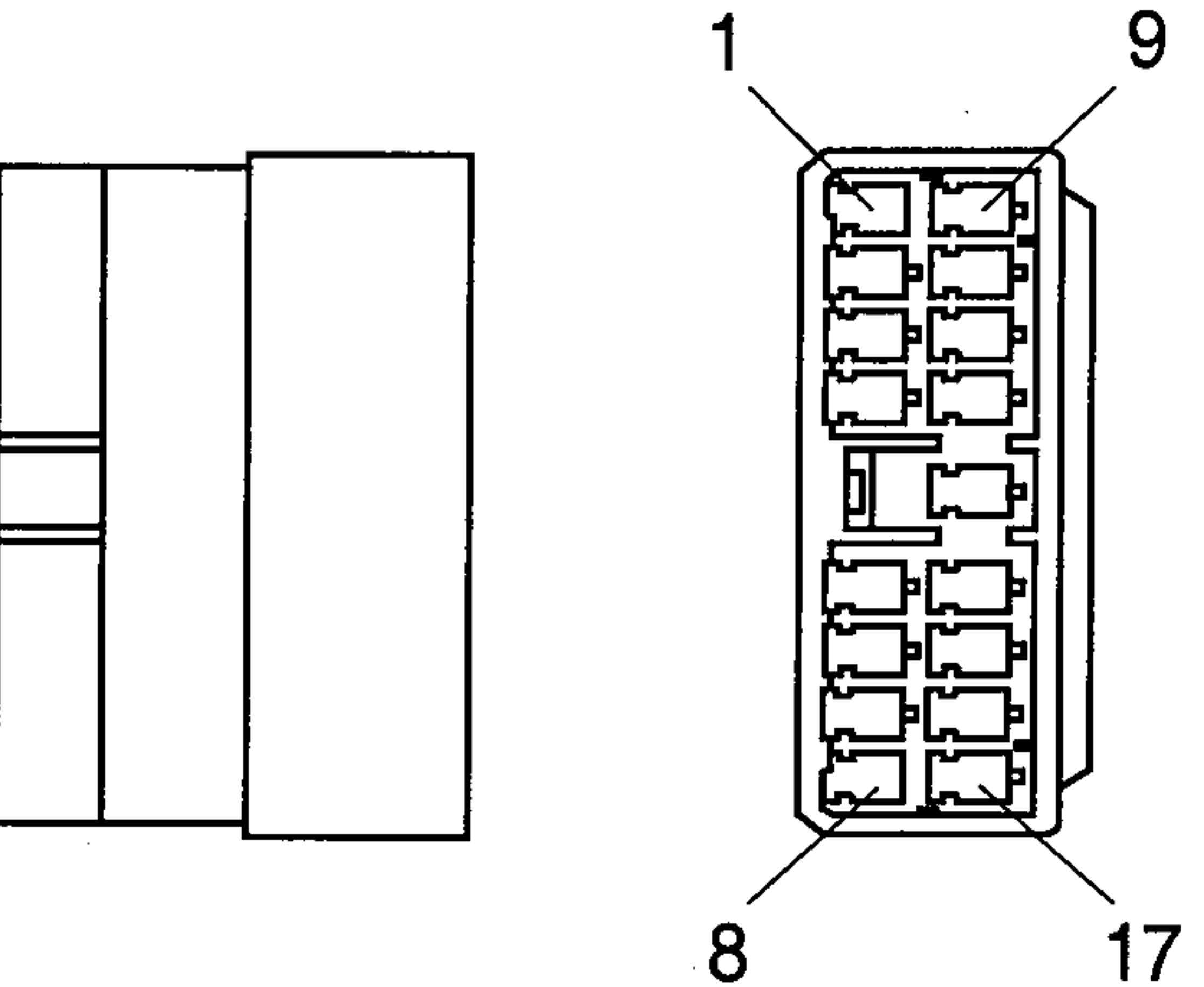
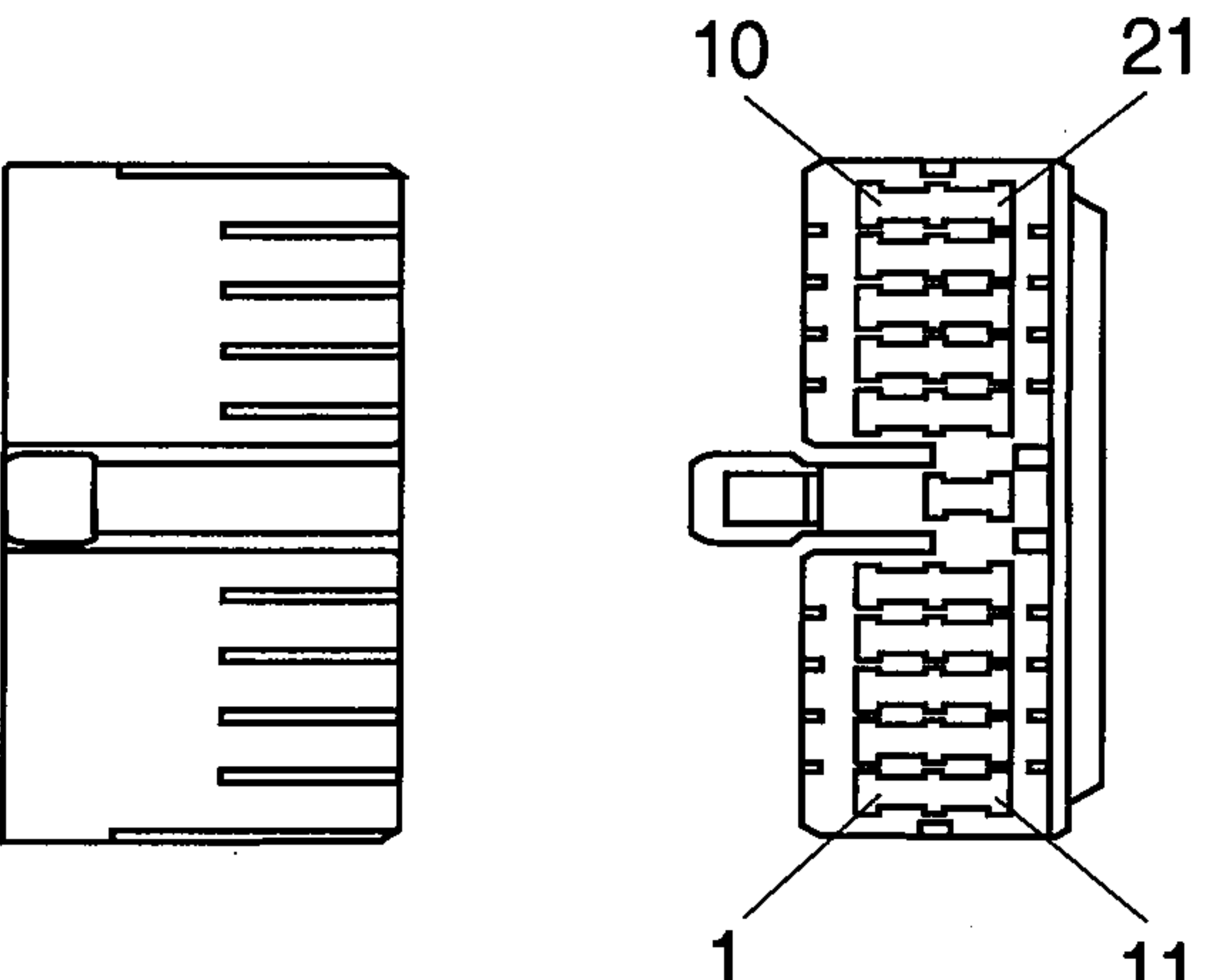
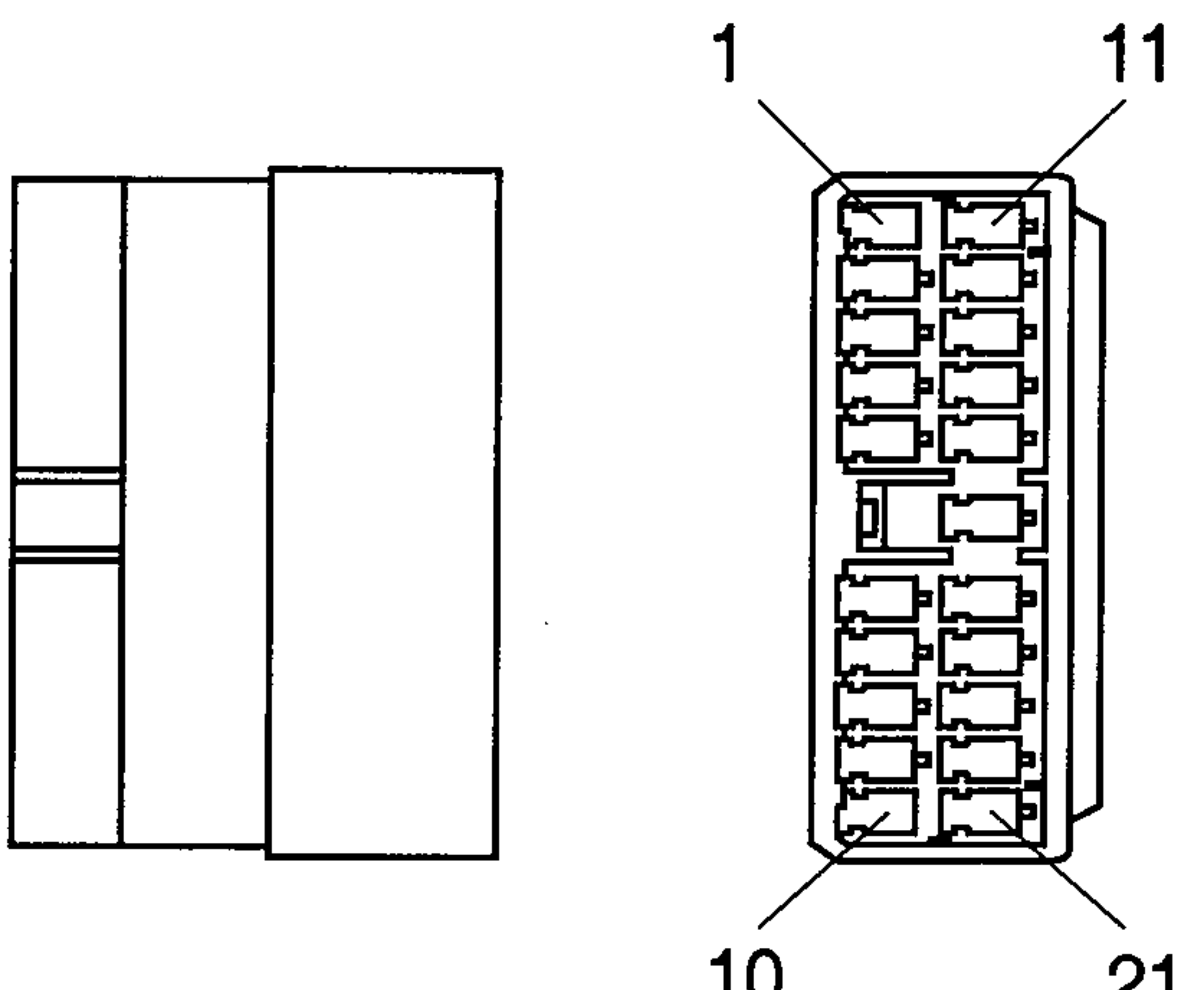
## 2. CONNECTION TABLE FOR CONNECTORS

### 1) 58-L TYPE CONNECTOR

No. of pin	Receptacle connector(Female)	Plug connector(Male)
1	 <p data-bbox="919 958 1119 997">S813-030100</p>	 <p data-bbox="1686 958 1885 997">S813-130100</p>
2	 <p data-bbox="919 1492 1119 1531">S813-030200</p>	 <p data-bbox="1686 1492 1885 1531">S813-130200</p>

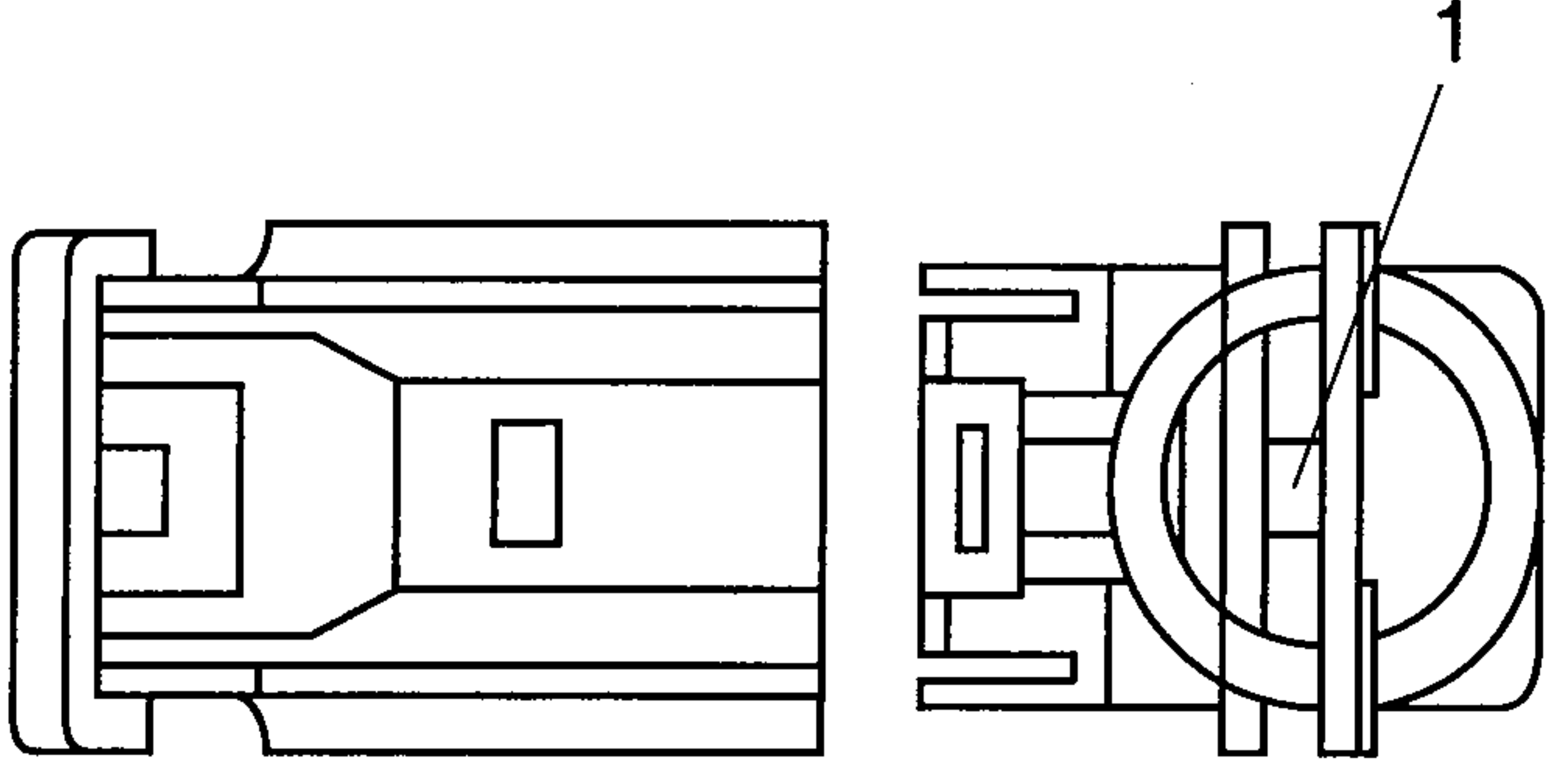
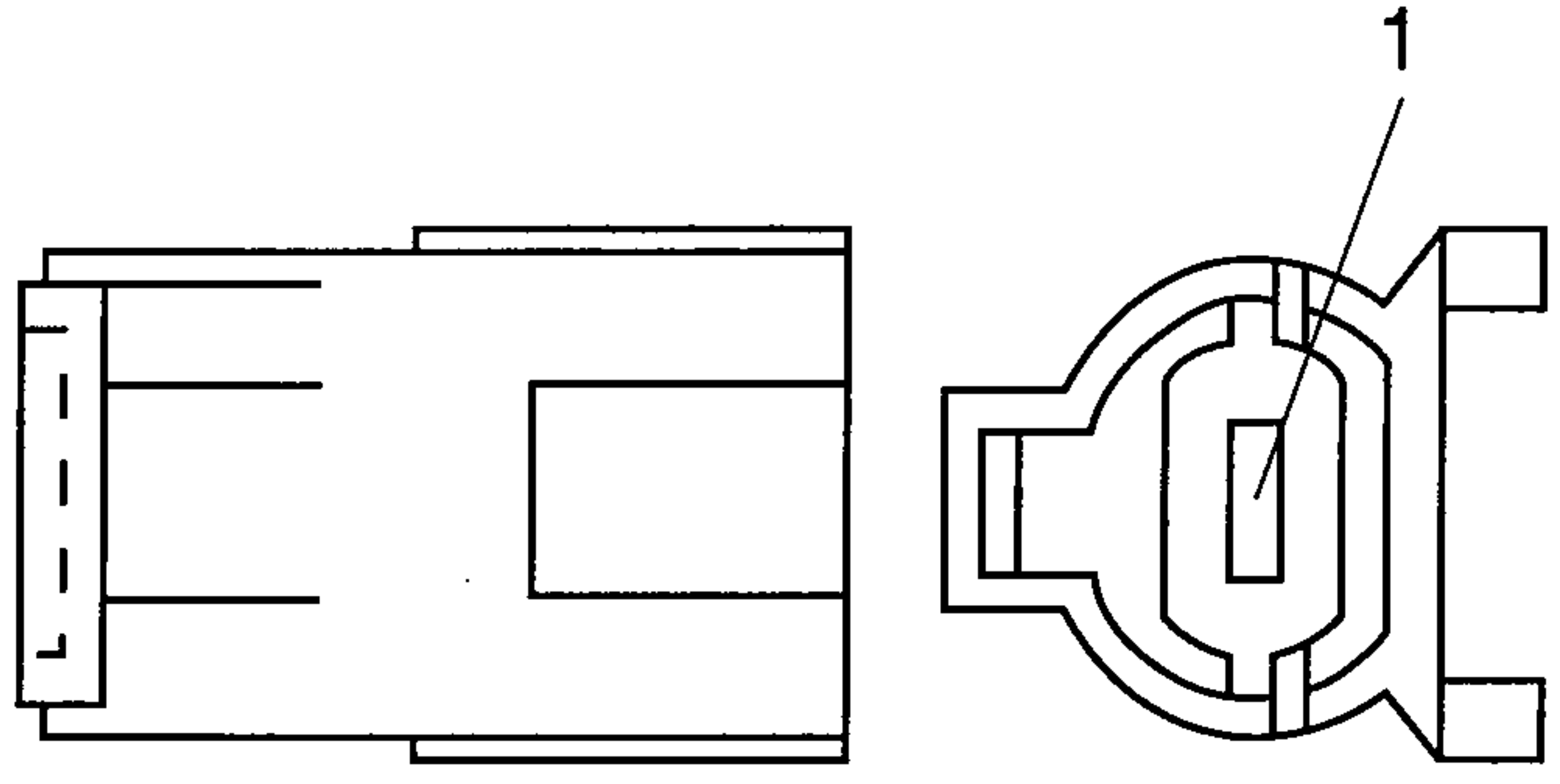
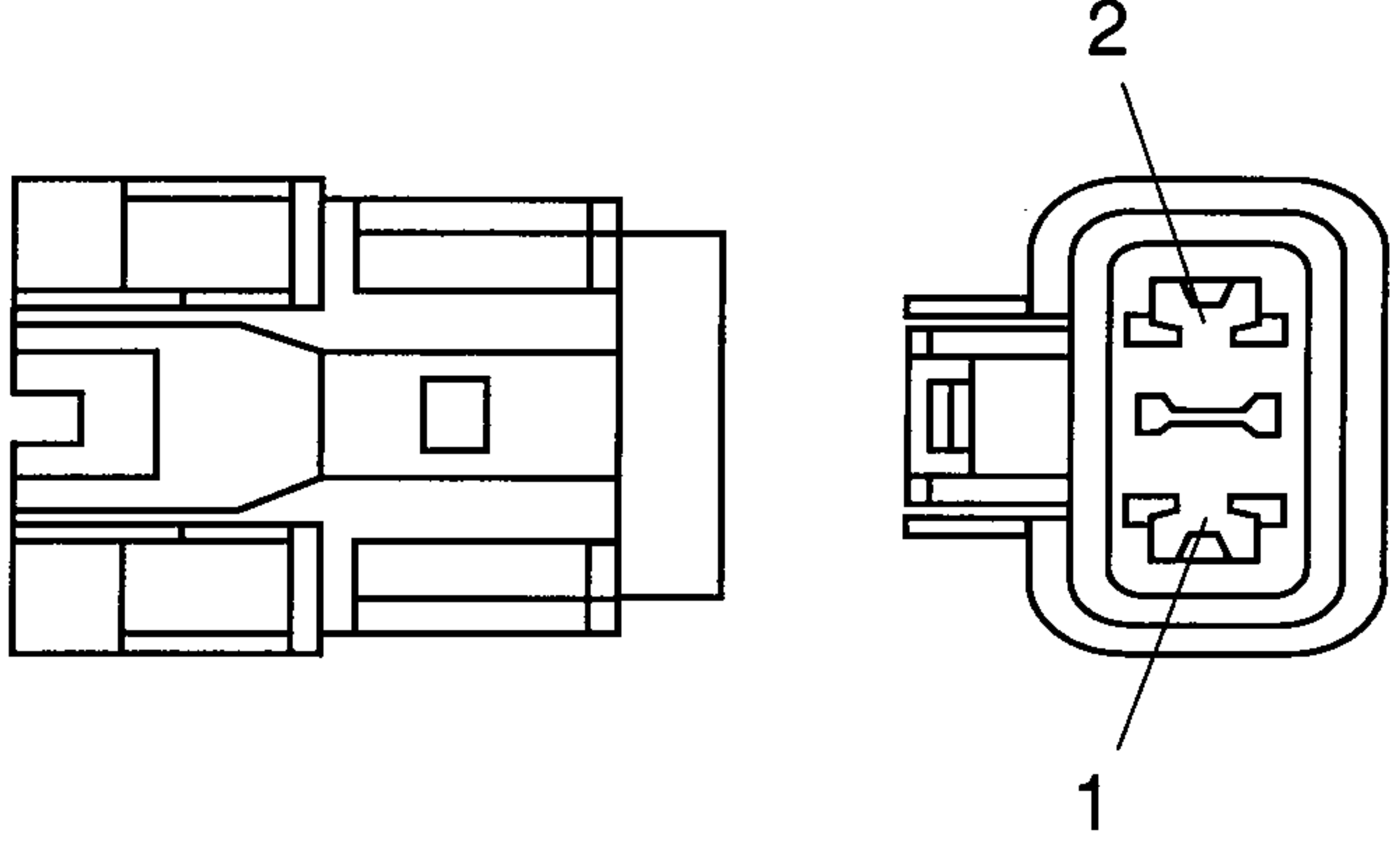
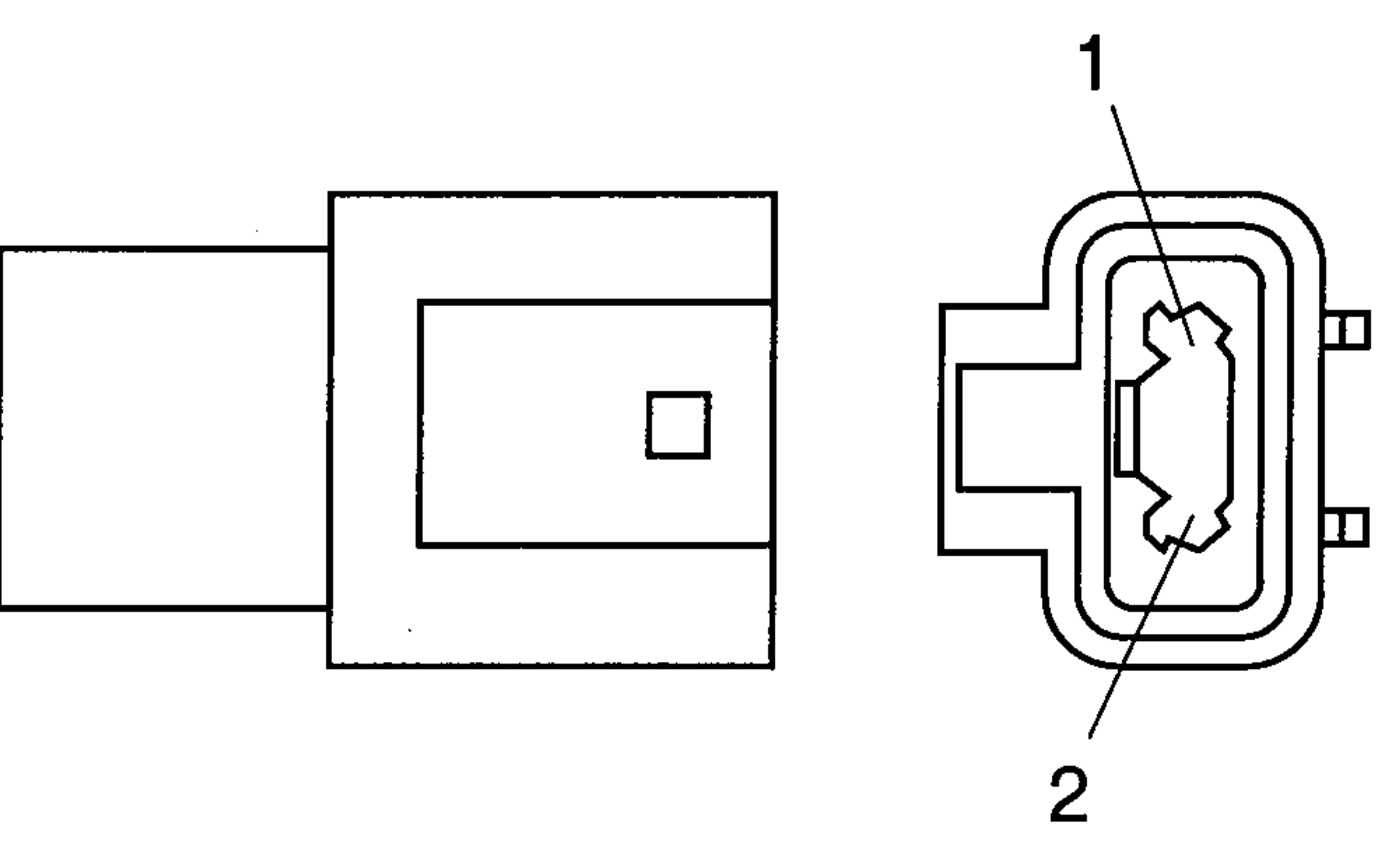
## 2) PA TYPE CONNECTOR

No. of pin	Receptacle connector(Female)	Plug connector(Male)
5	 <p style="text-align: center;">S811-005002</p>	 <p style="text-align: center;">S811-105002</p>
7	 <p style="text-align: center;">S811-007002</p>	 <p style="text-align: center;">S811-107002</p>
9	 <p style="text-align: center;">S811-009002</p>	 <p style="text-align: center;">S811-109002</p>
11	 <p style="text-align: center;">S811-011002</p>	 <p style="text-align: center;">S811-111002</p>

No. of pin	Receptacle connector(Female)	Plug connector(Male)
13	 <p style="text-align: center;">S811-013002</p>	 <p style="text-align: center;">S811-113002</p>
17	 <p style="text-align: center;">S811-017002</p>	 <p style="text-align: center;">S811-117002</p>
21	 <p style="text-align: center;">S811-021002</p>	 <p style="text-align: center;">S811-121002</p>

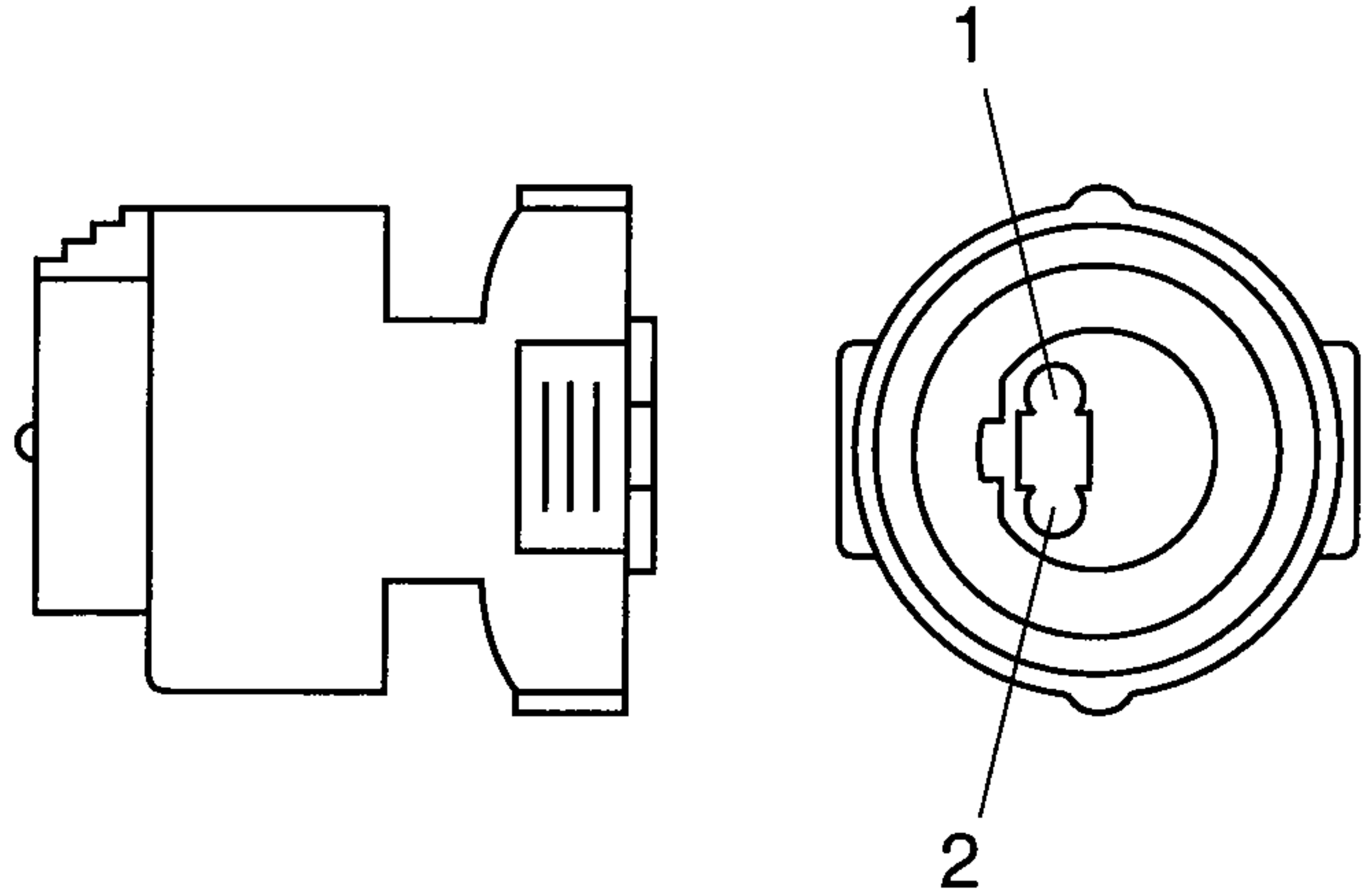
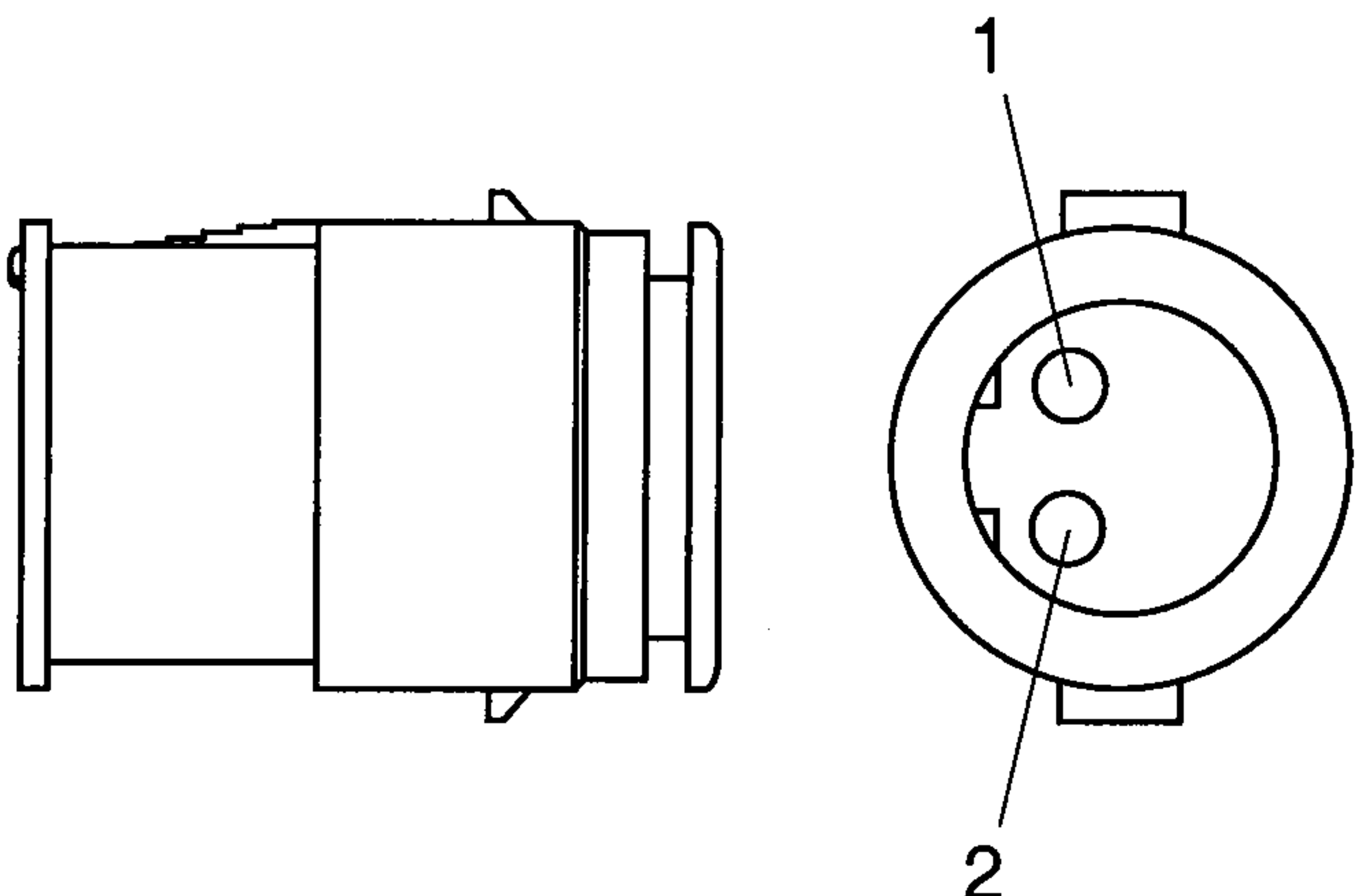
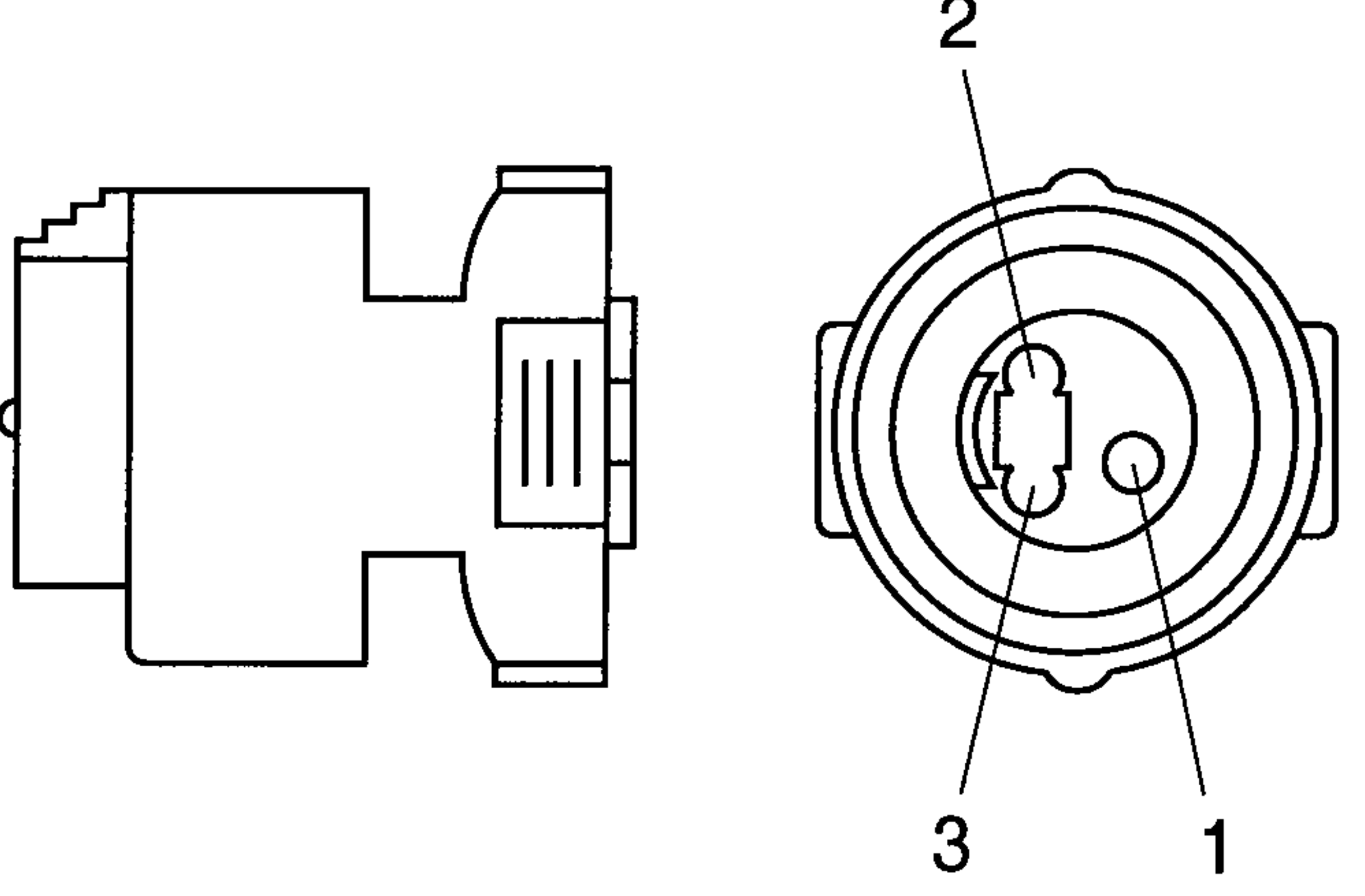
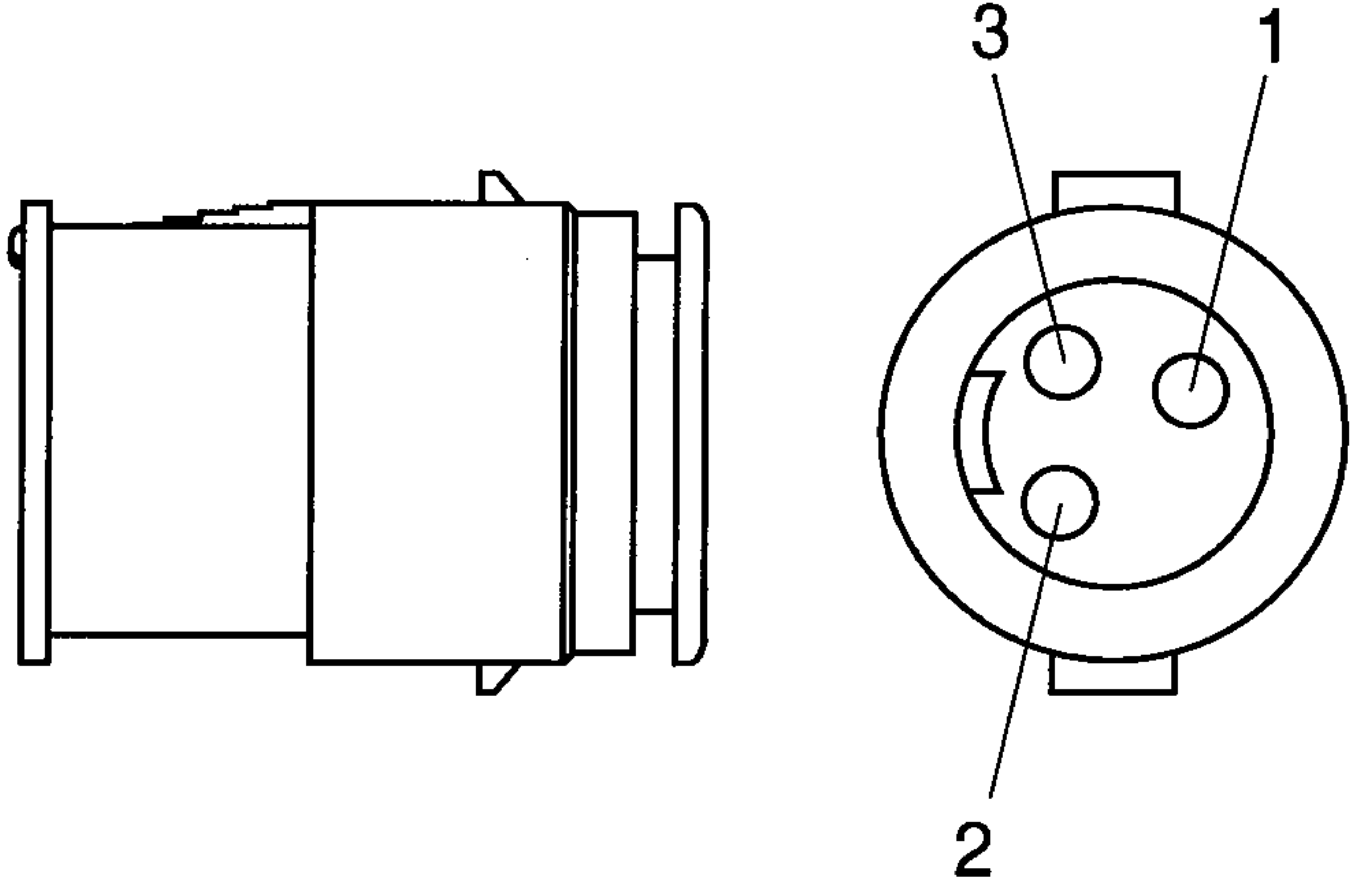


### 3) 58-X TYPE CONNECTOR

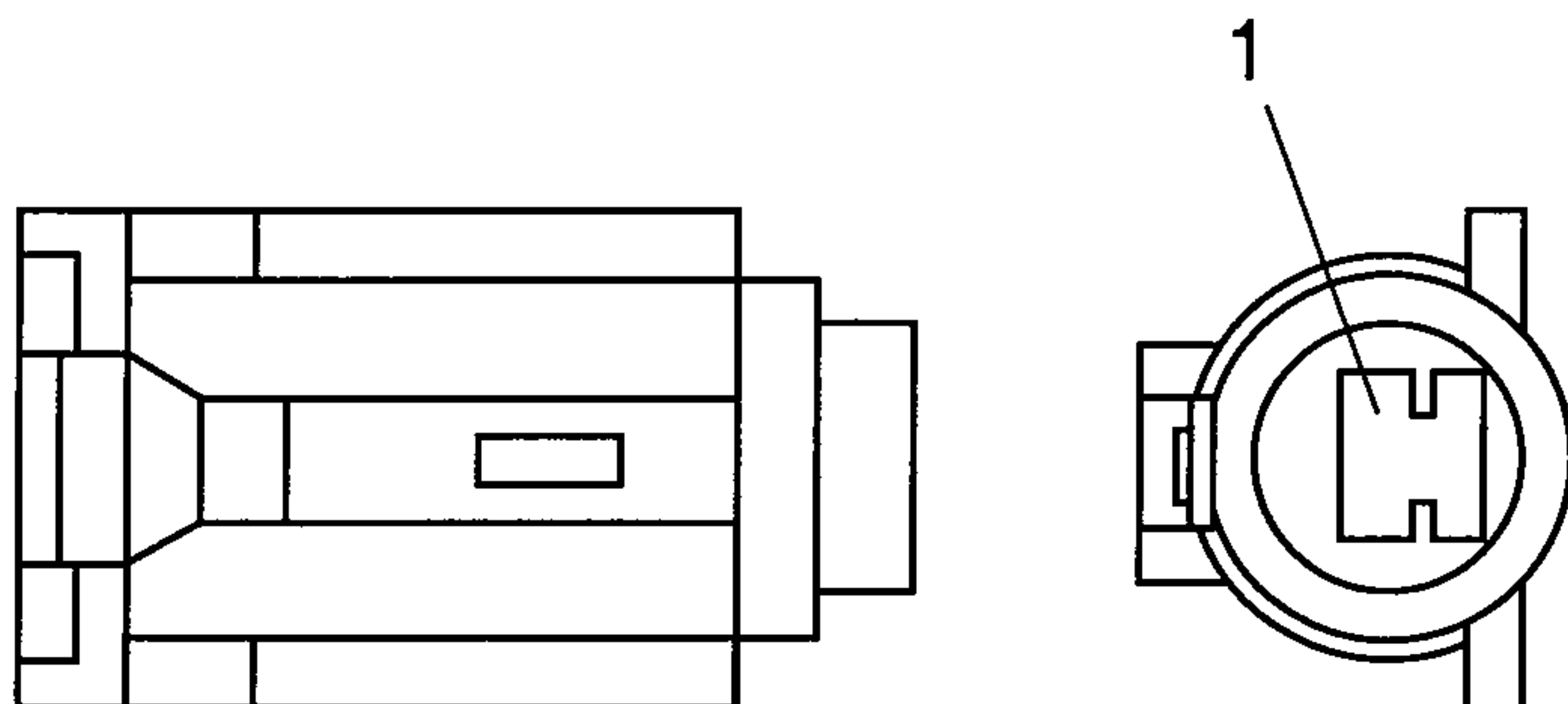
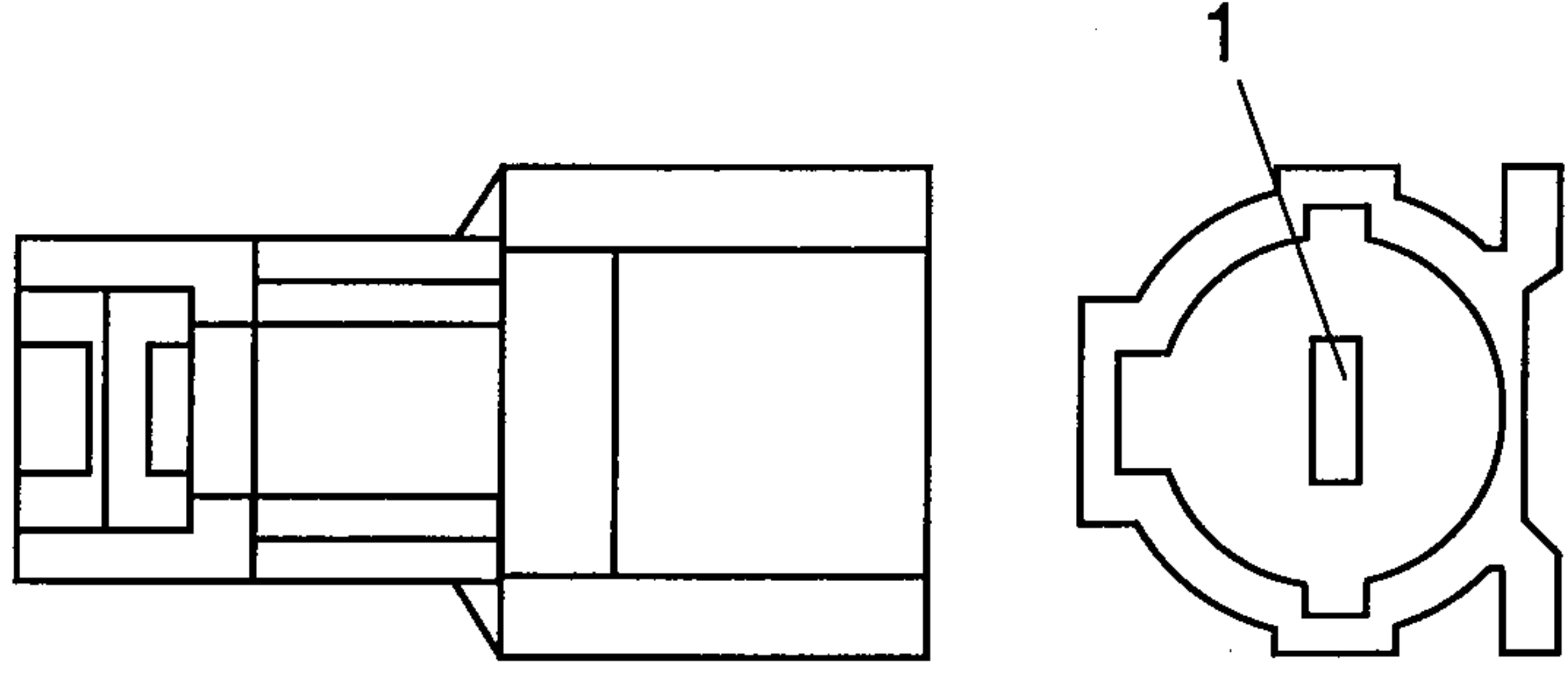
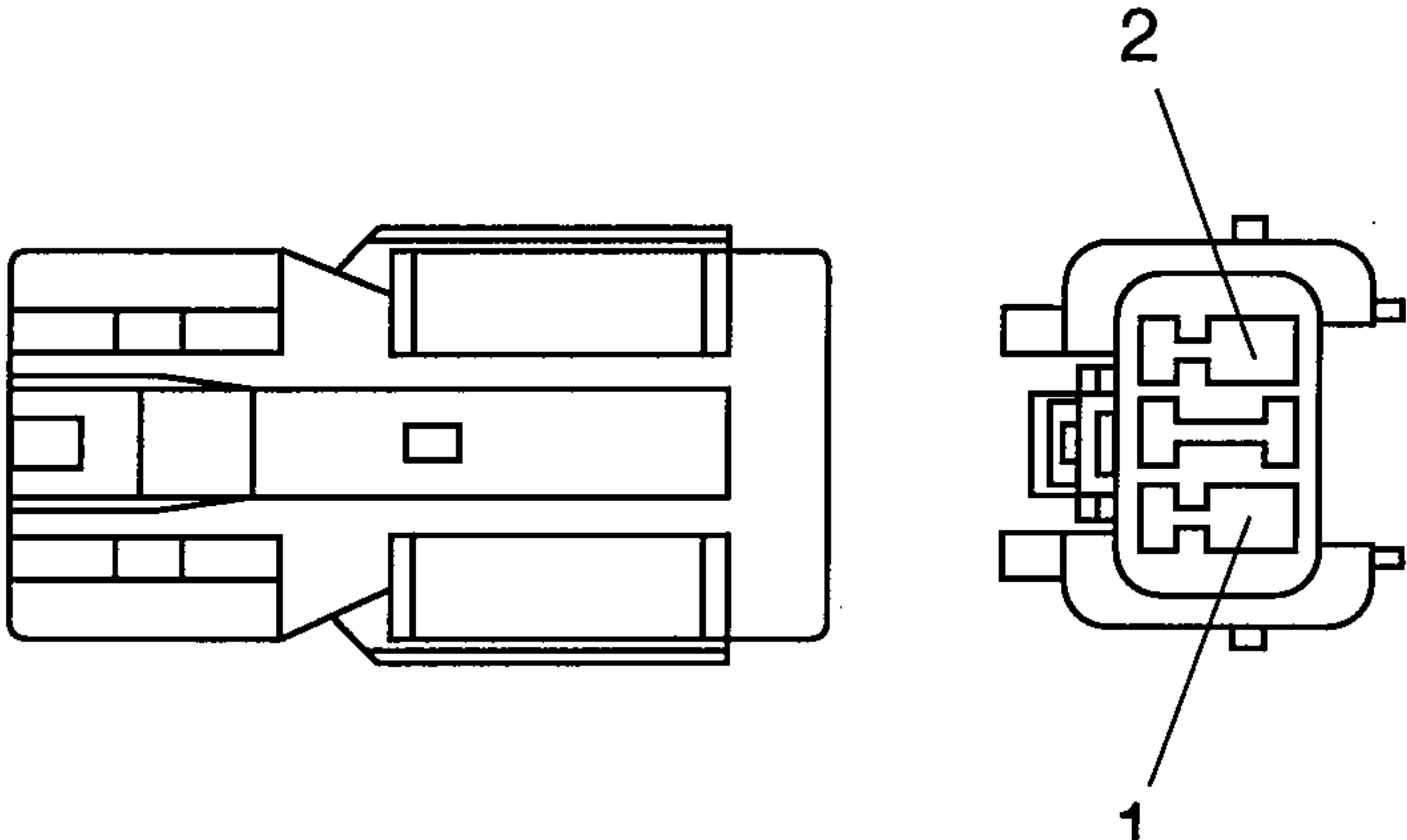
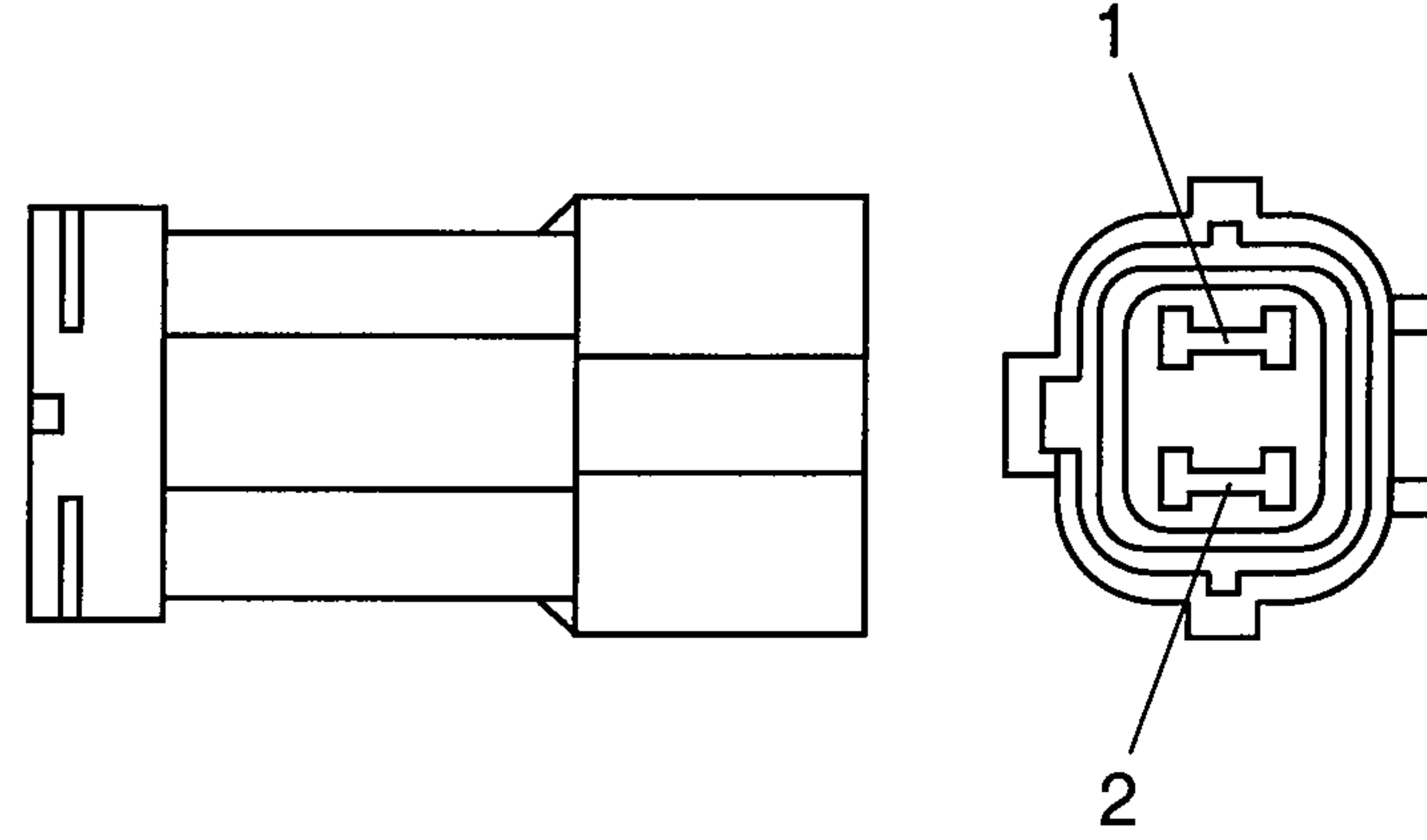
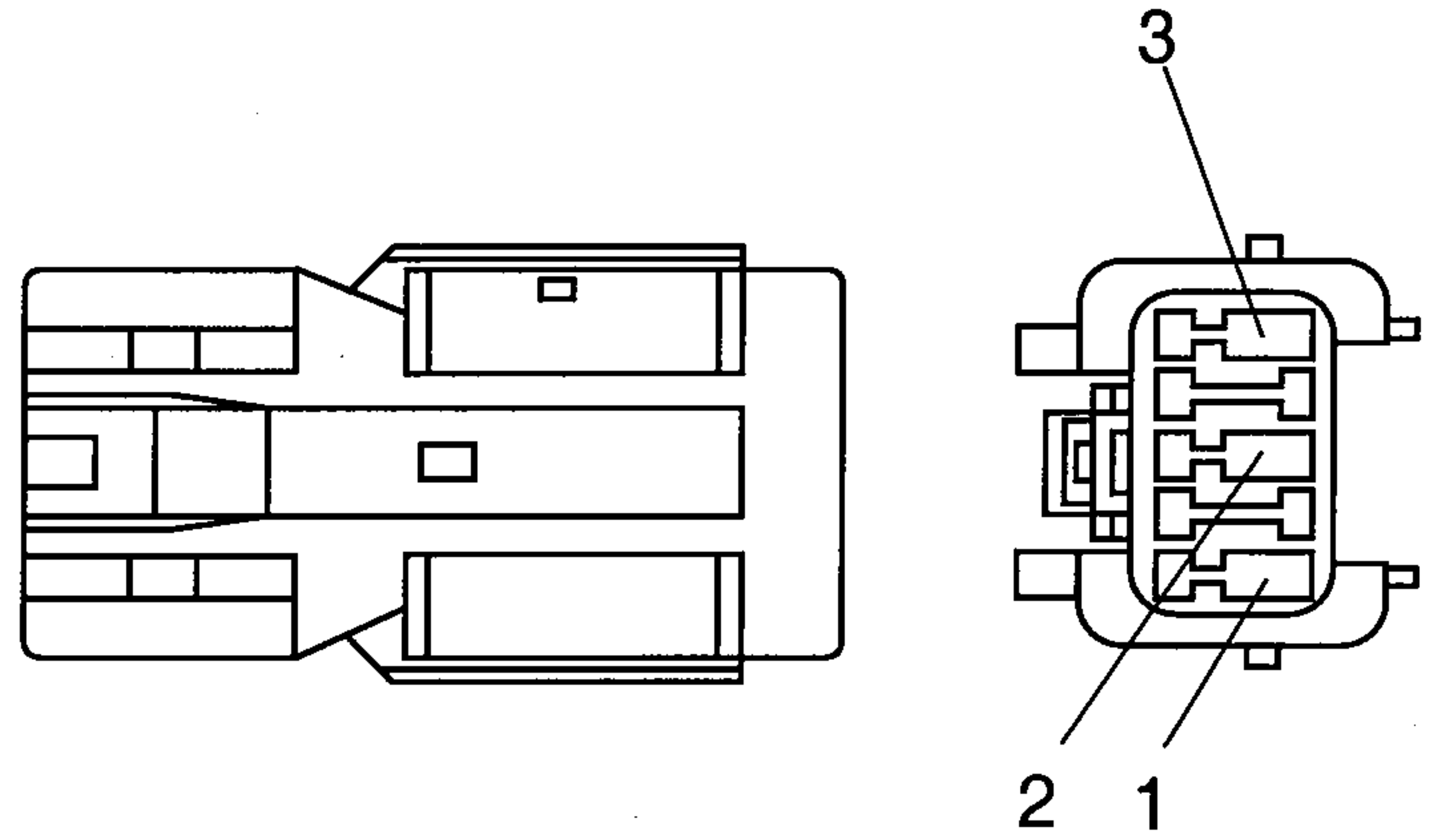
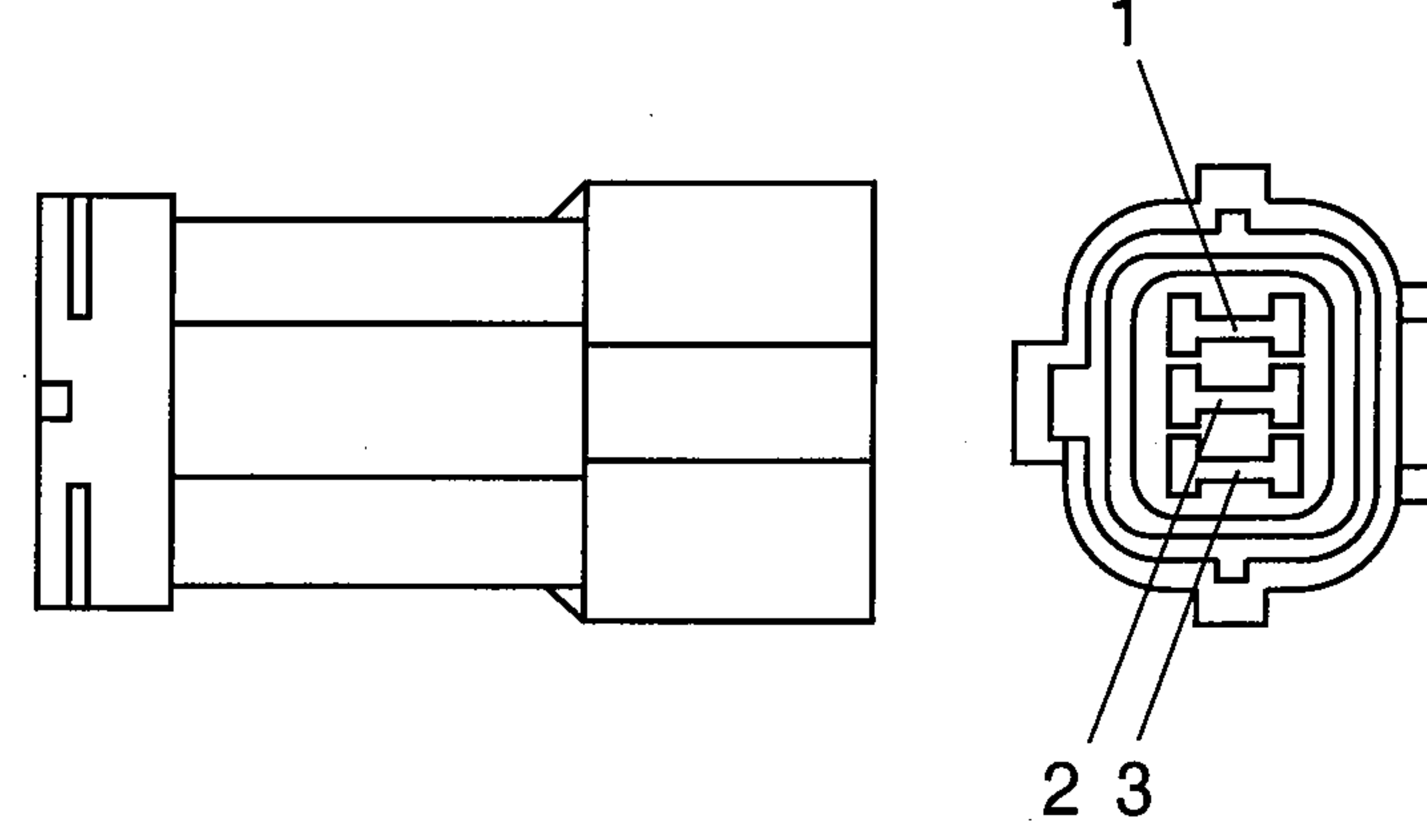
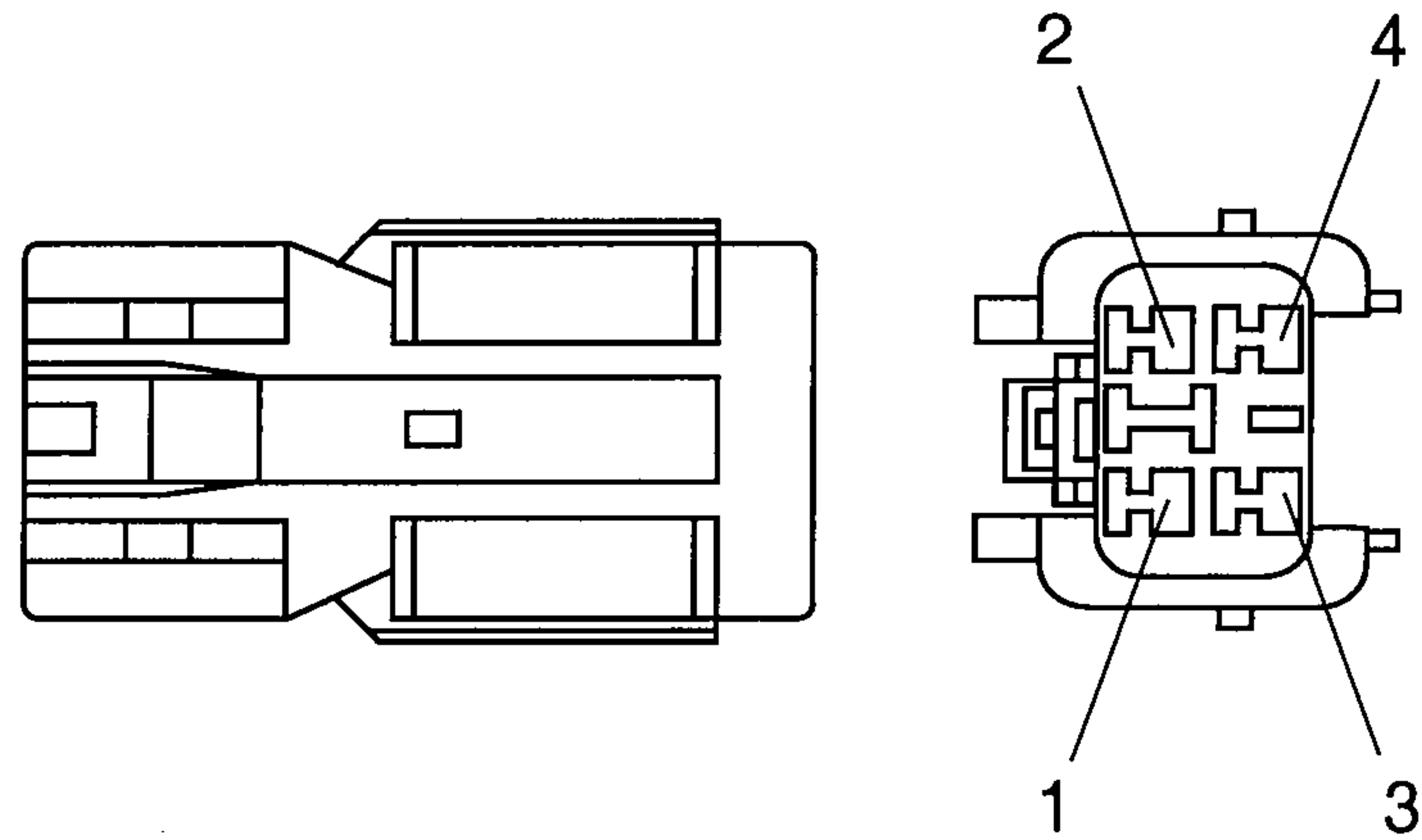
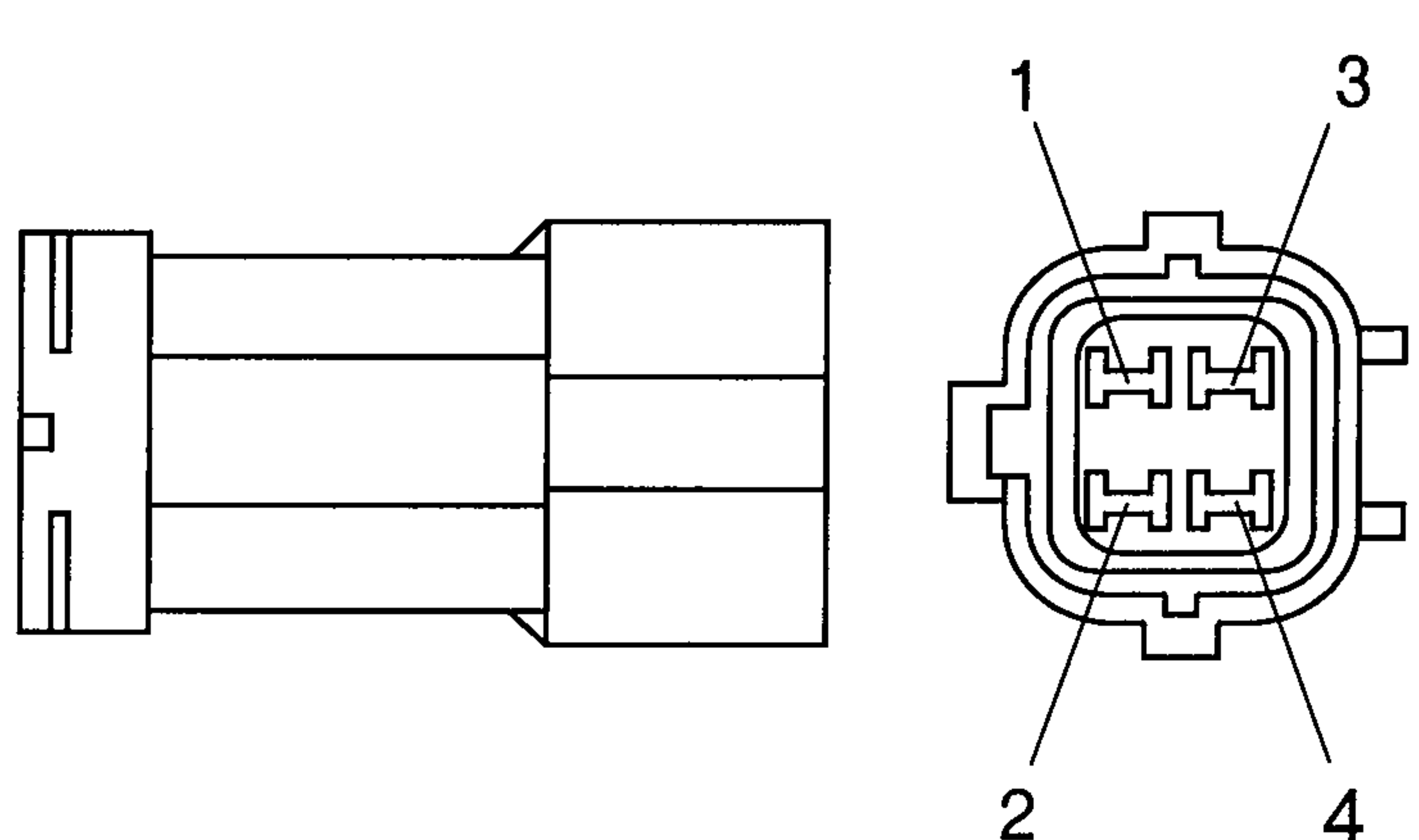
No. of pin	Receptacle connector(Female)	Plug connector(Male)
1	 <p data-bbox="926 884 1125 923">S813-060100</p>	 <p data-bbox="1682 884 1881 923">S813-160100</p>
2	 <p data-bbox="926 1418 1125 1457">S813-060200</p>	 <p data-bbox="1682 1418 1881 1457">S813-160200</p>

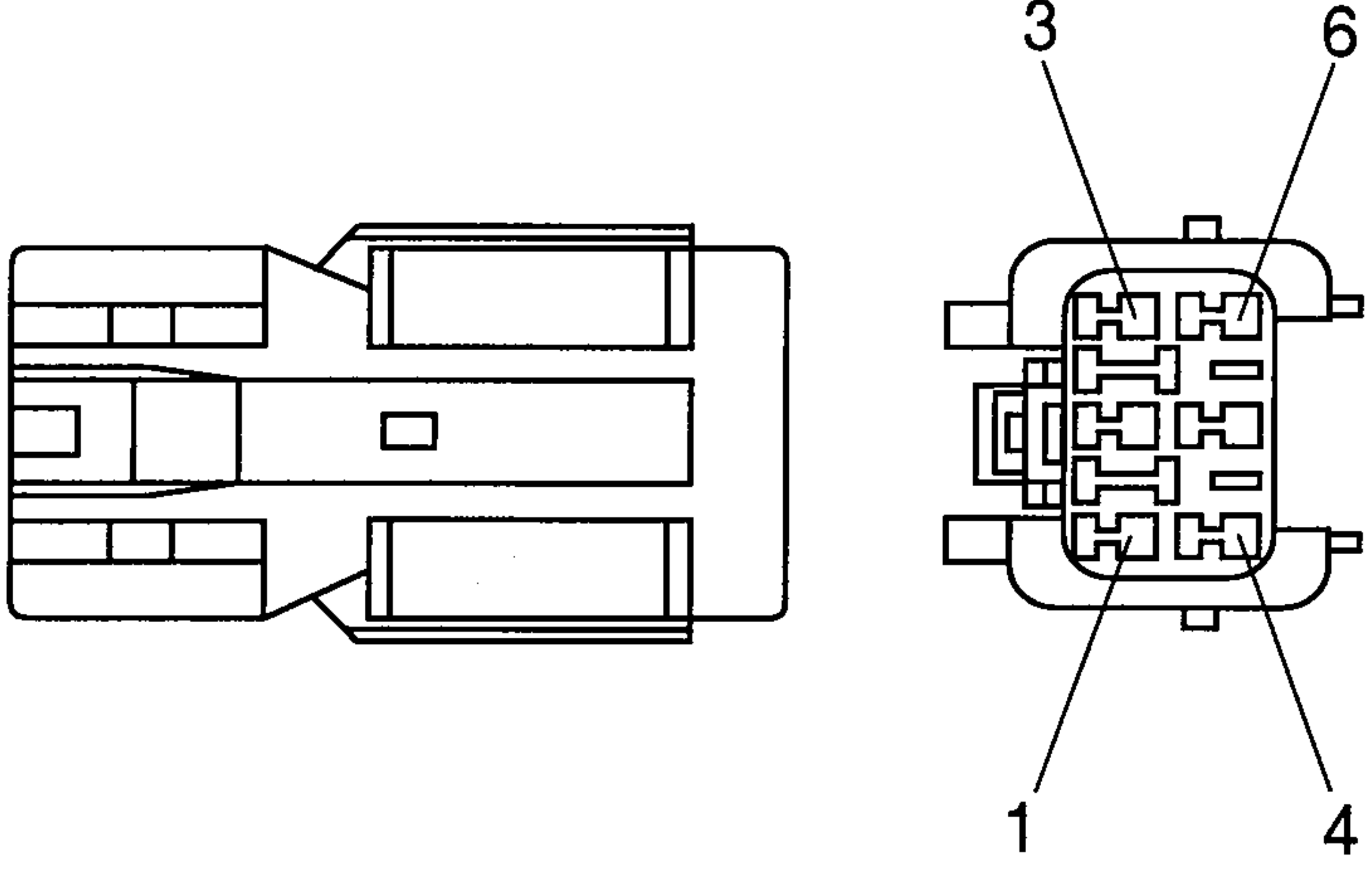
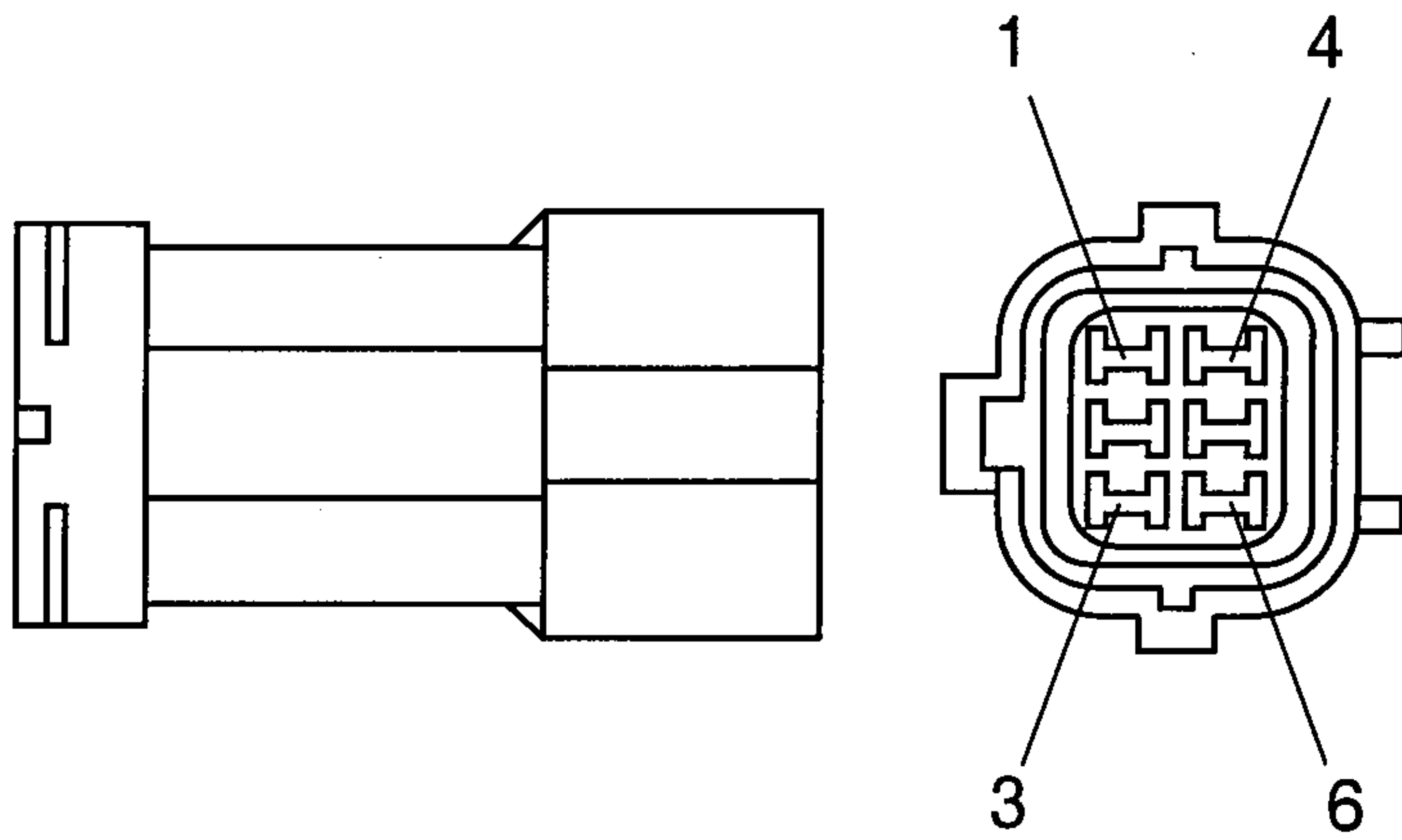
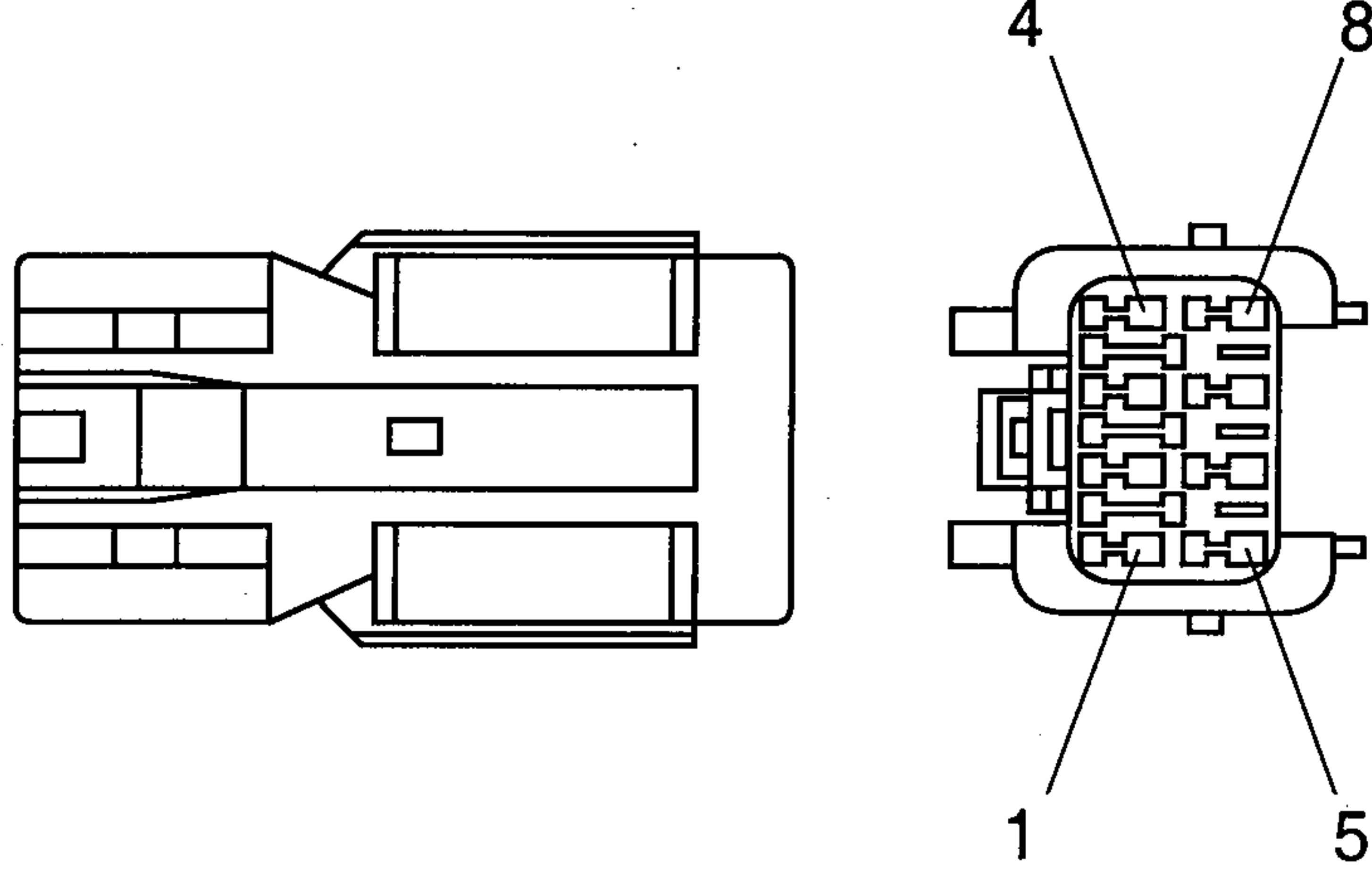
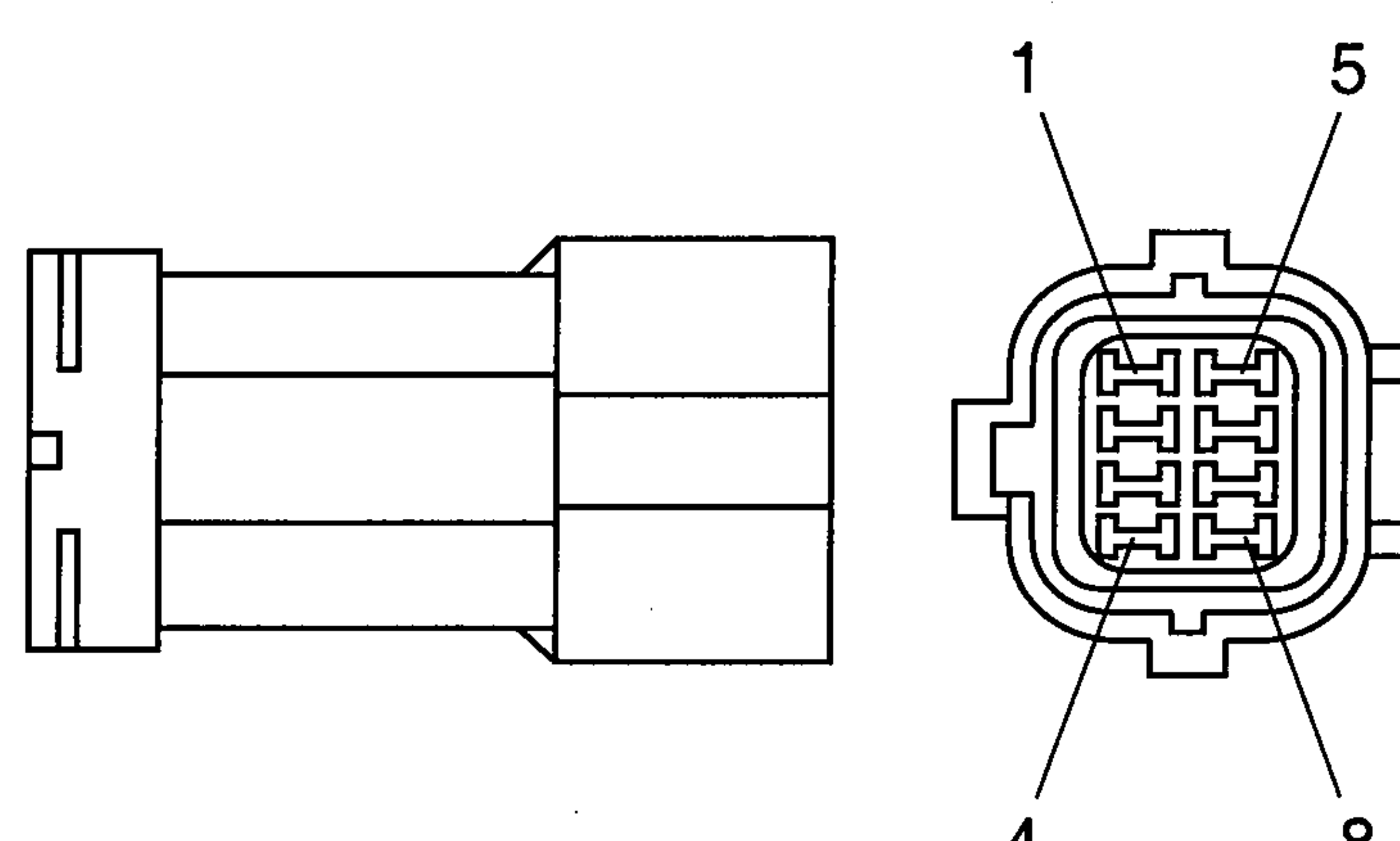
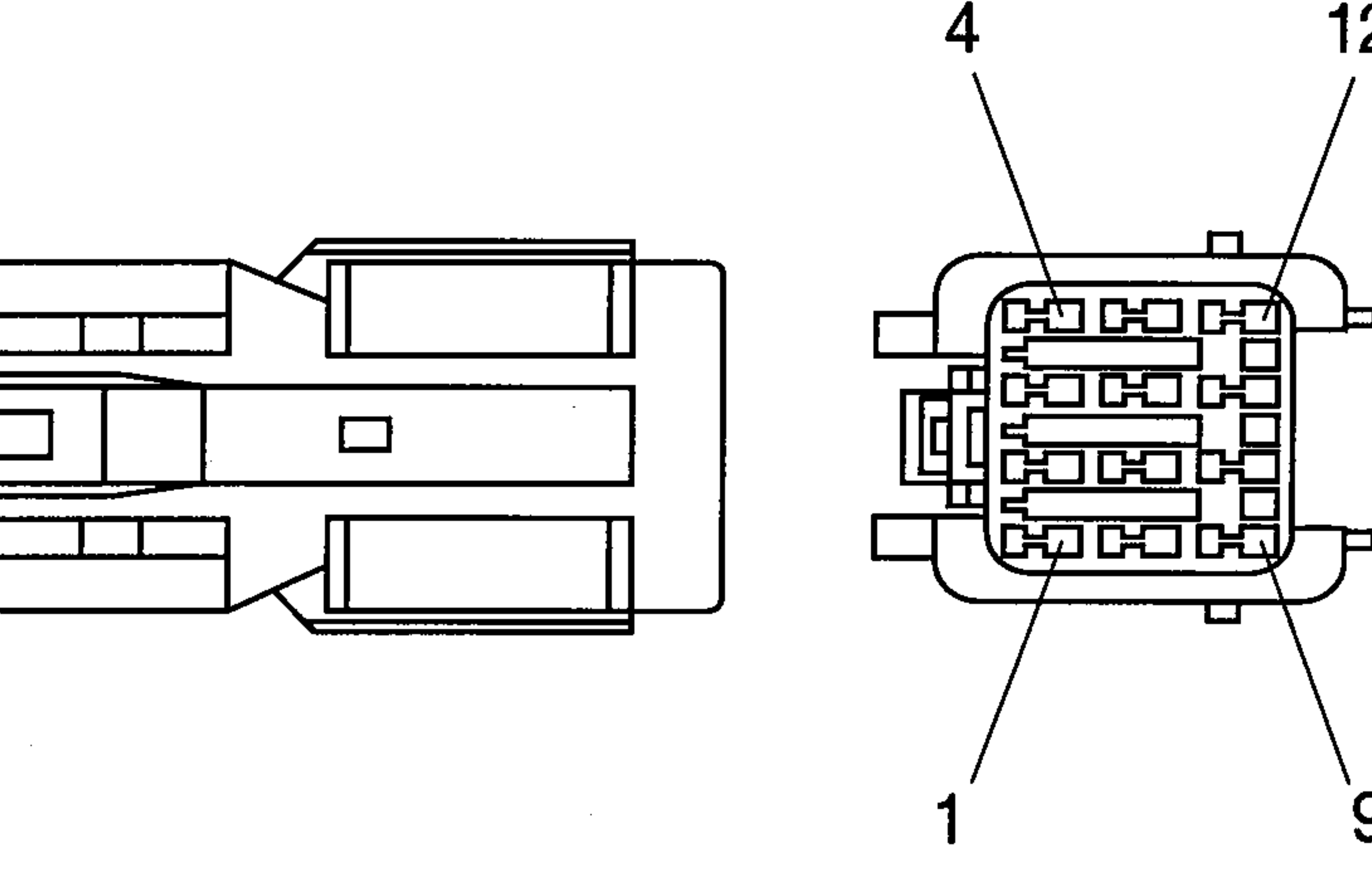
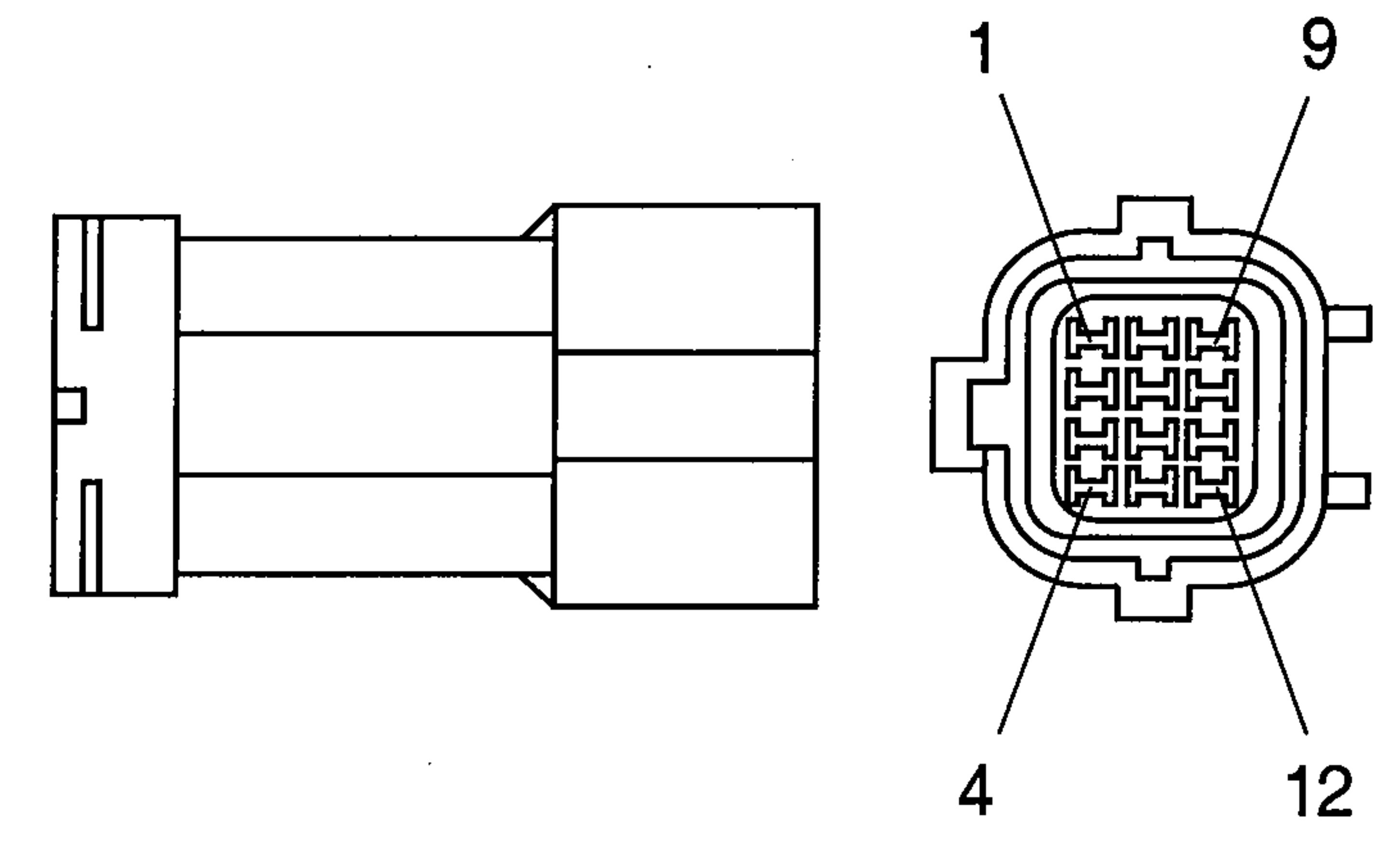
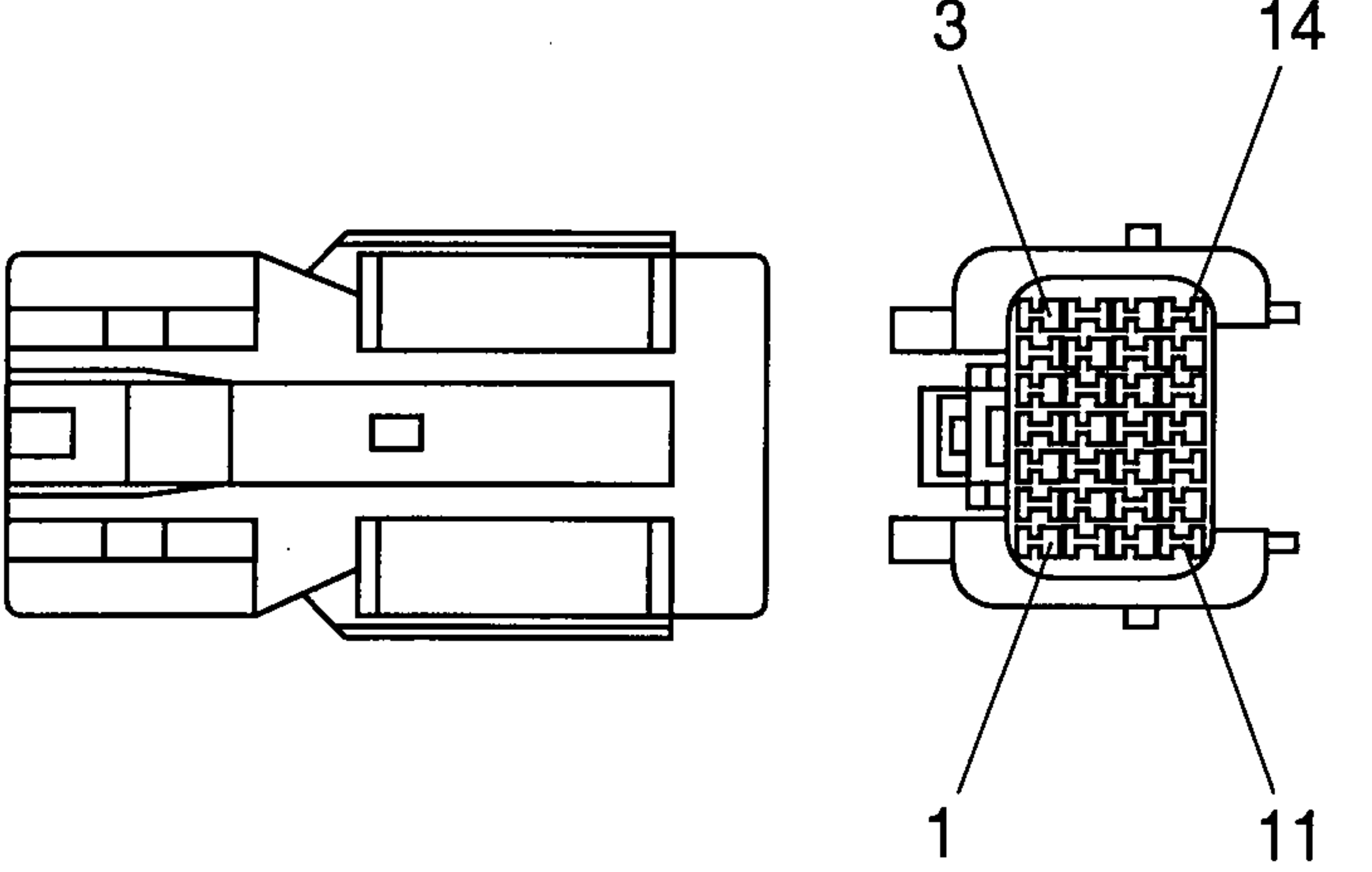
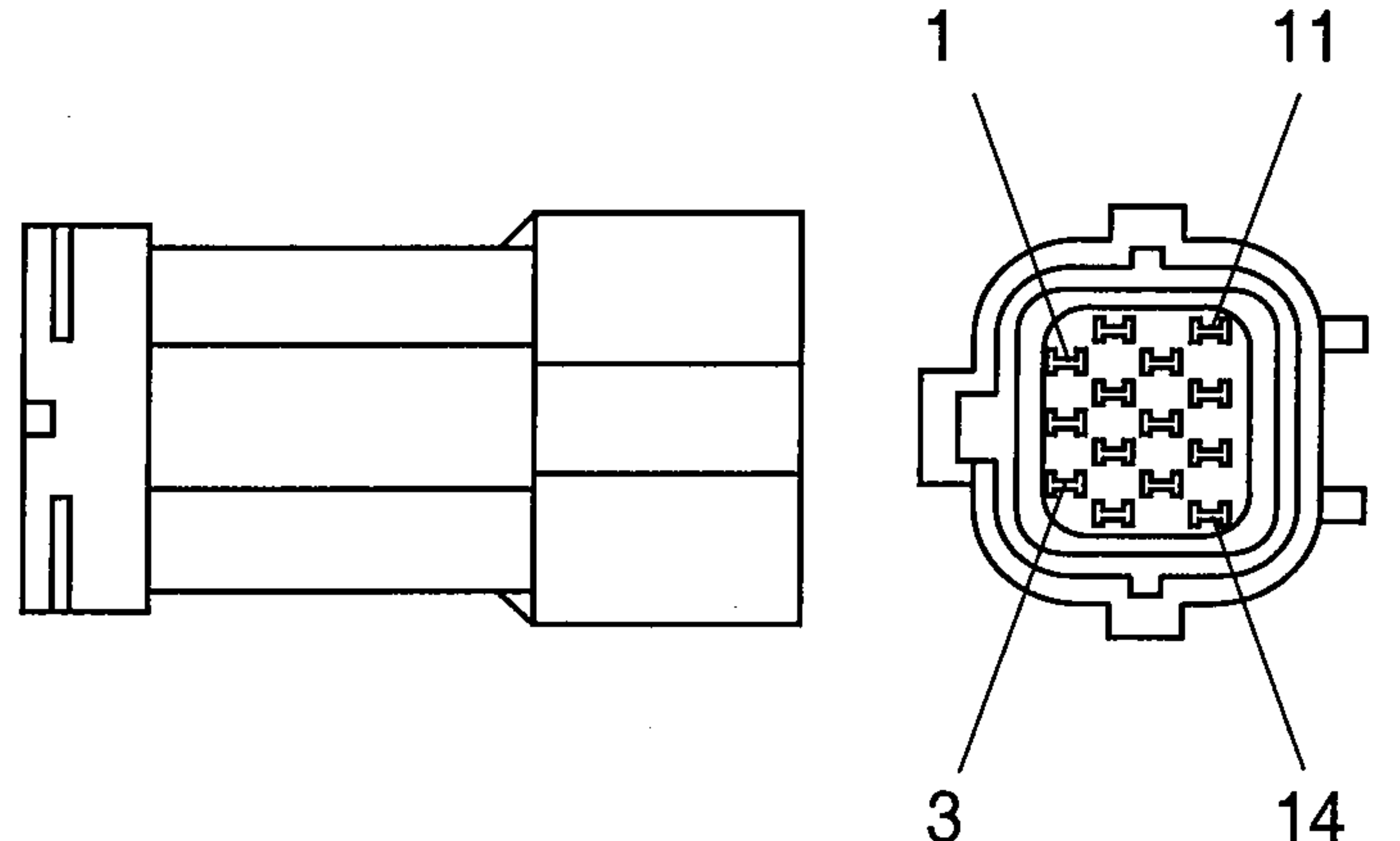


#### 4) J TYPE CONNECTOR

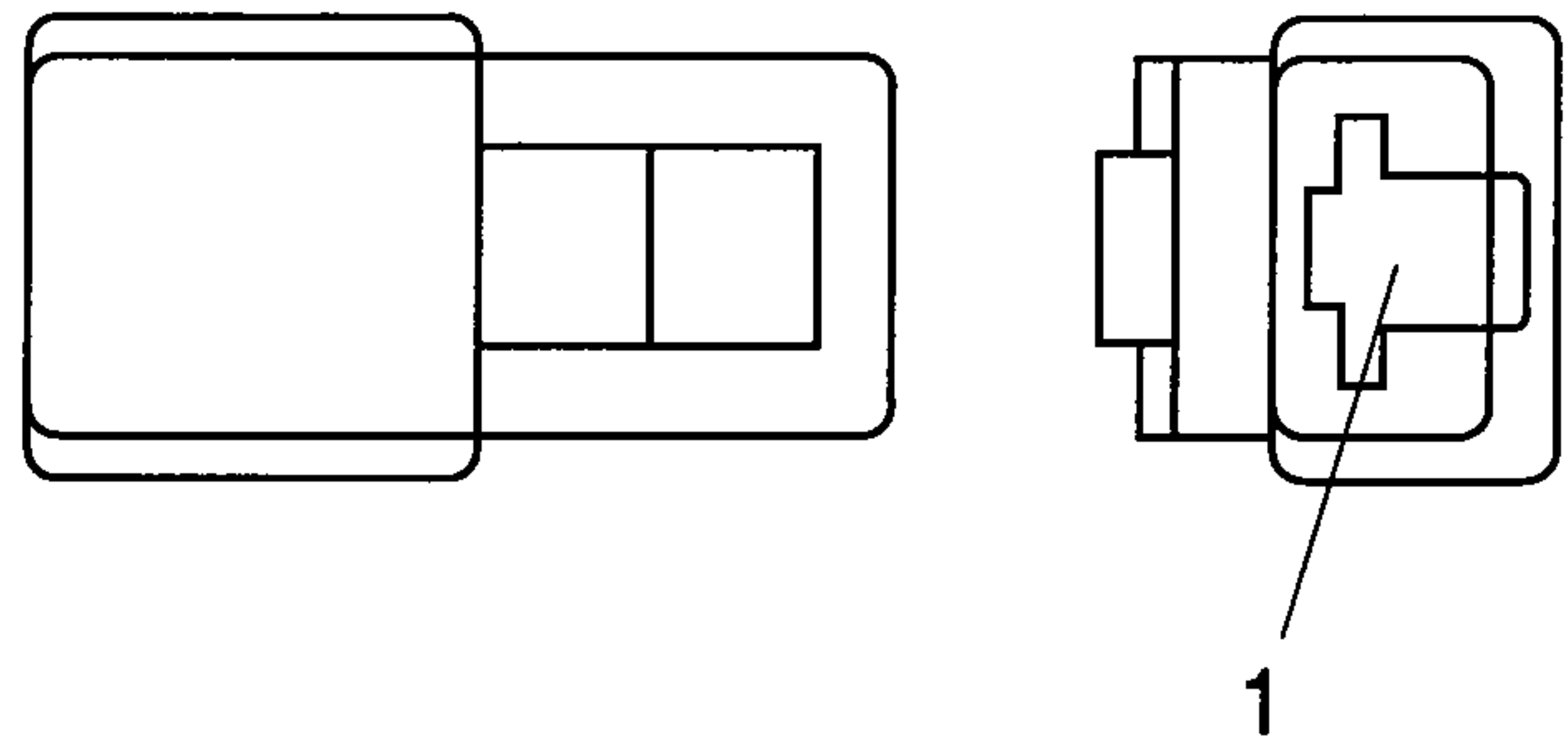
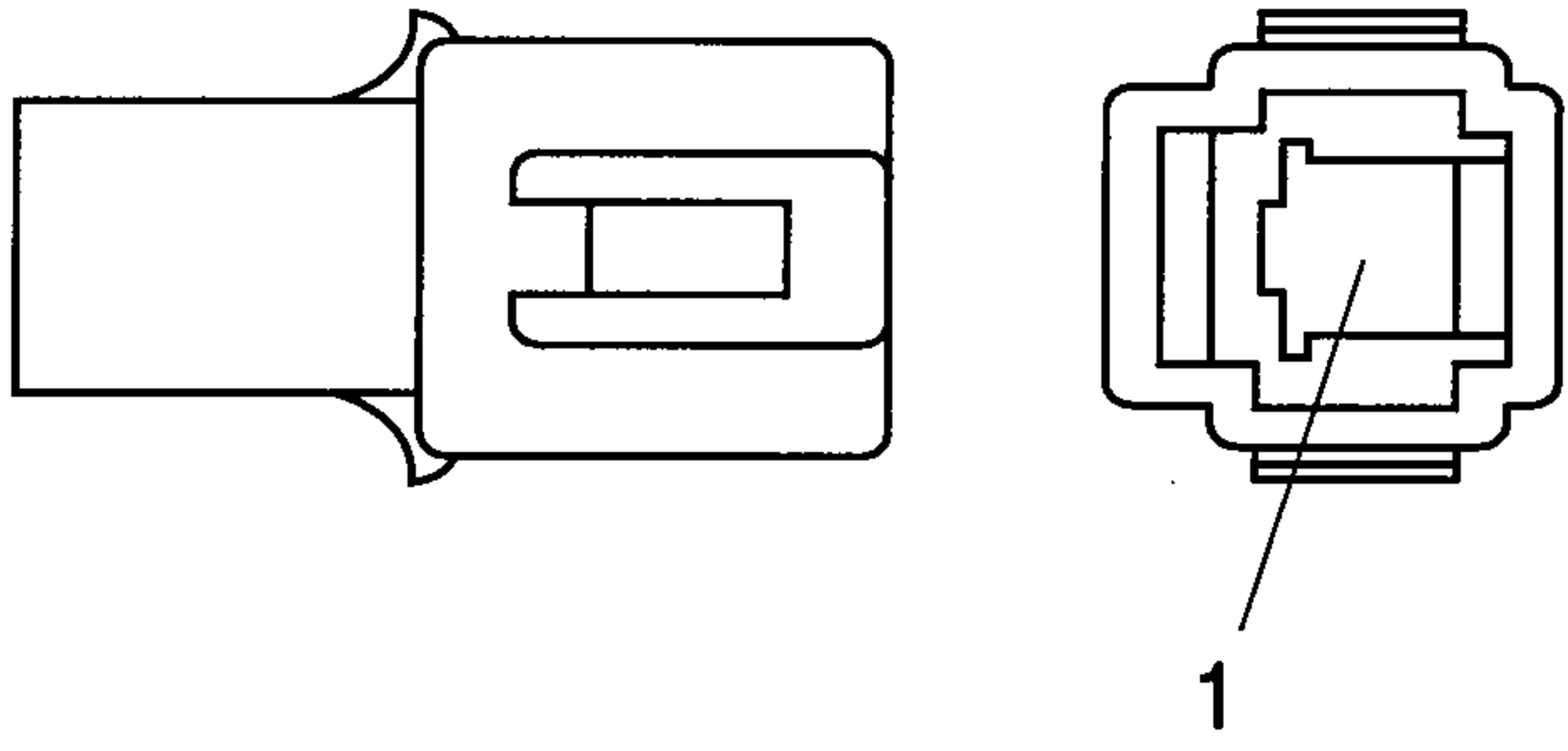
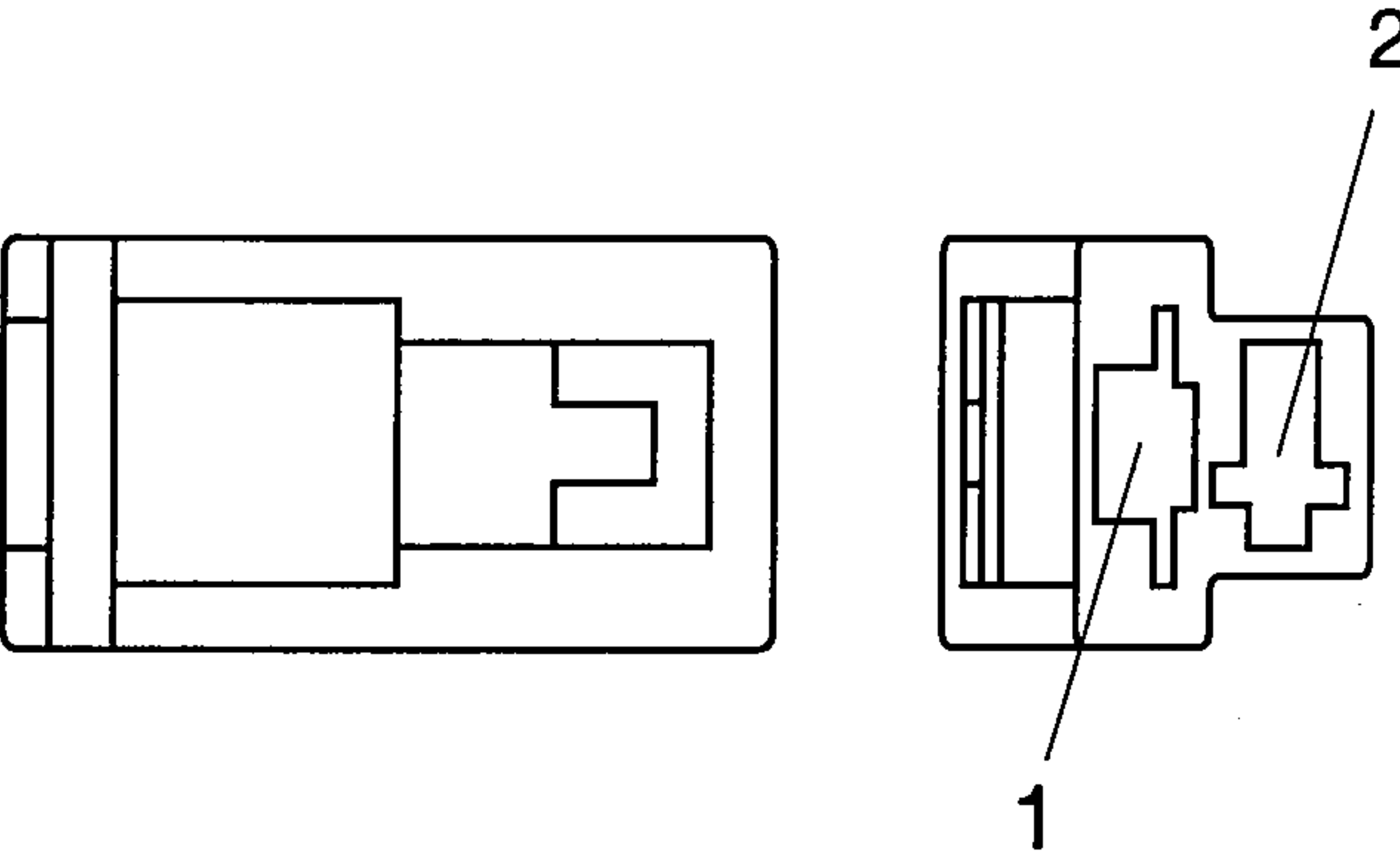
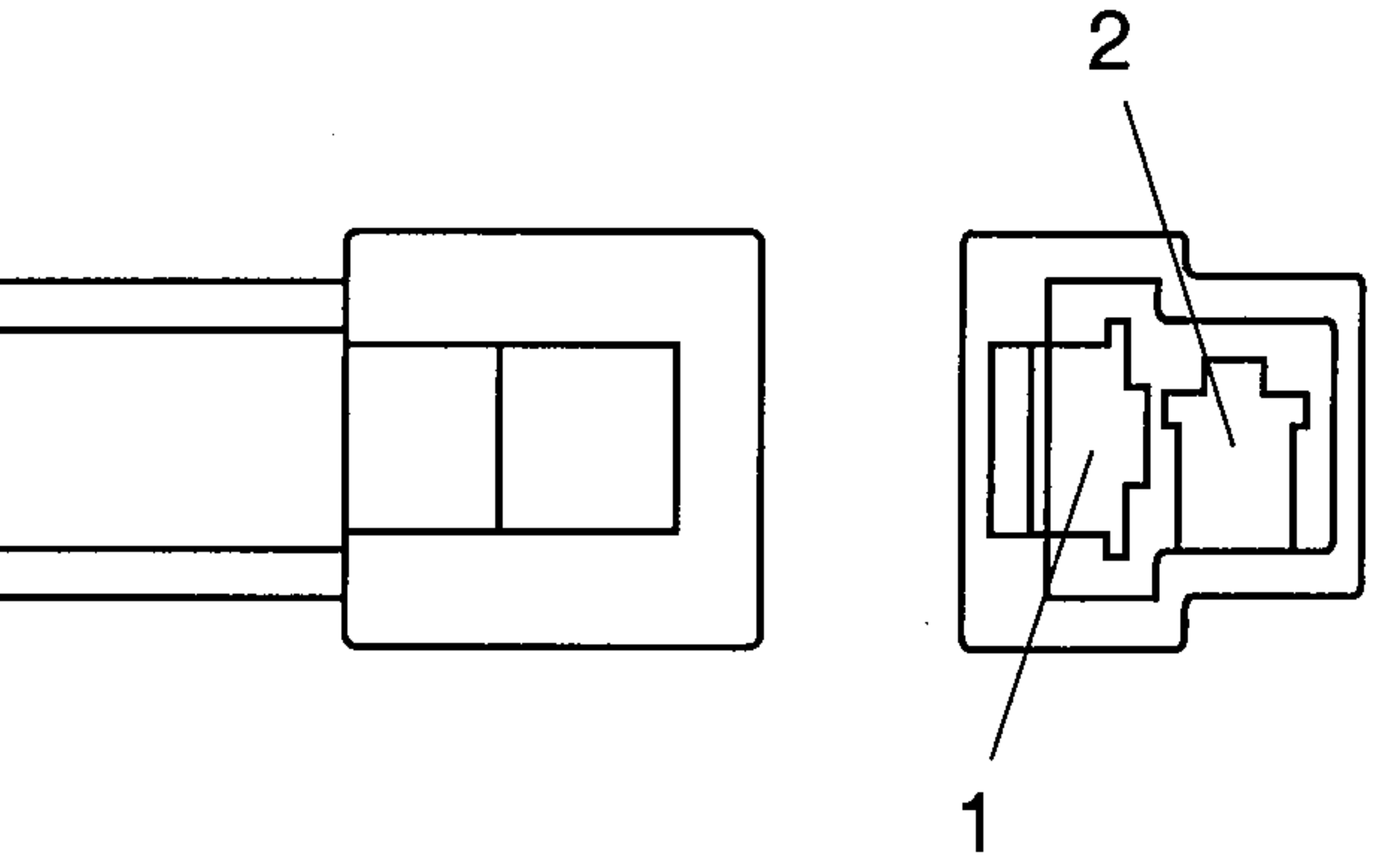
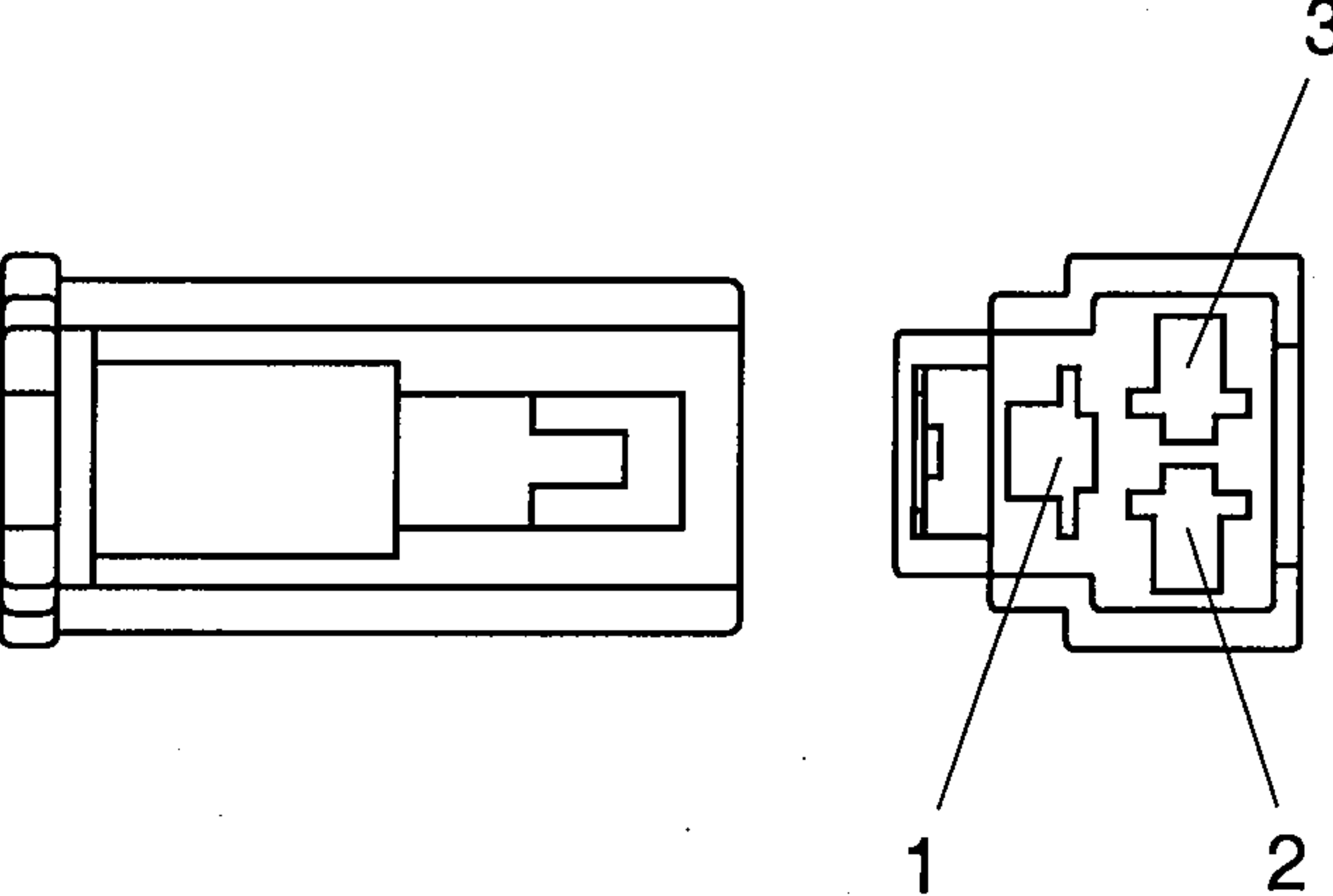
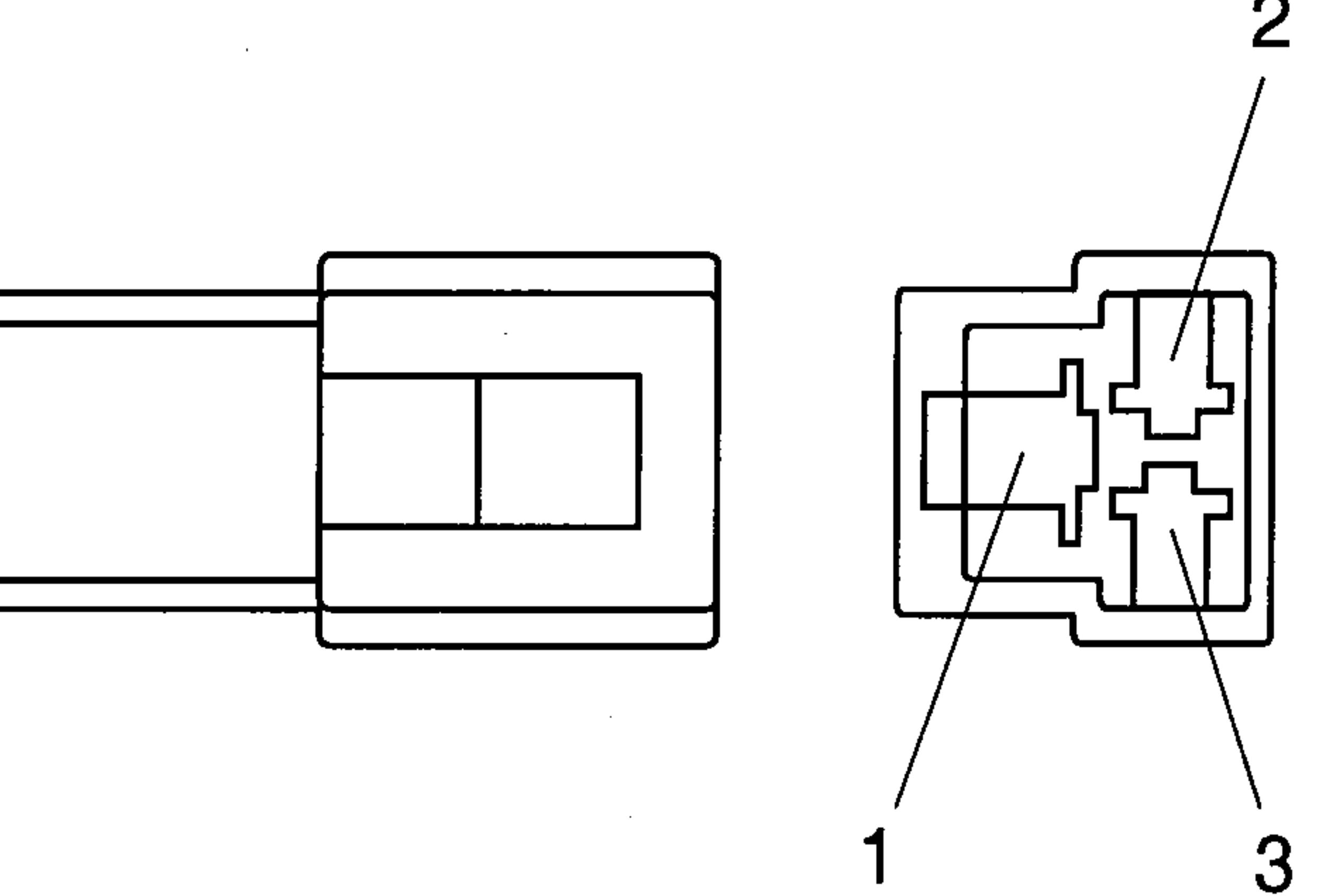
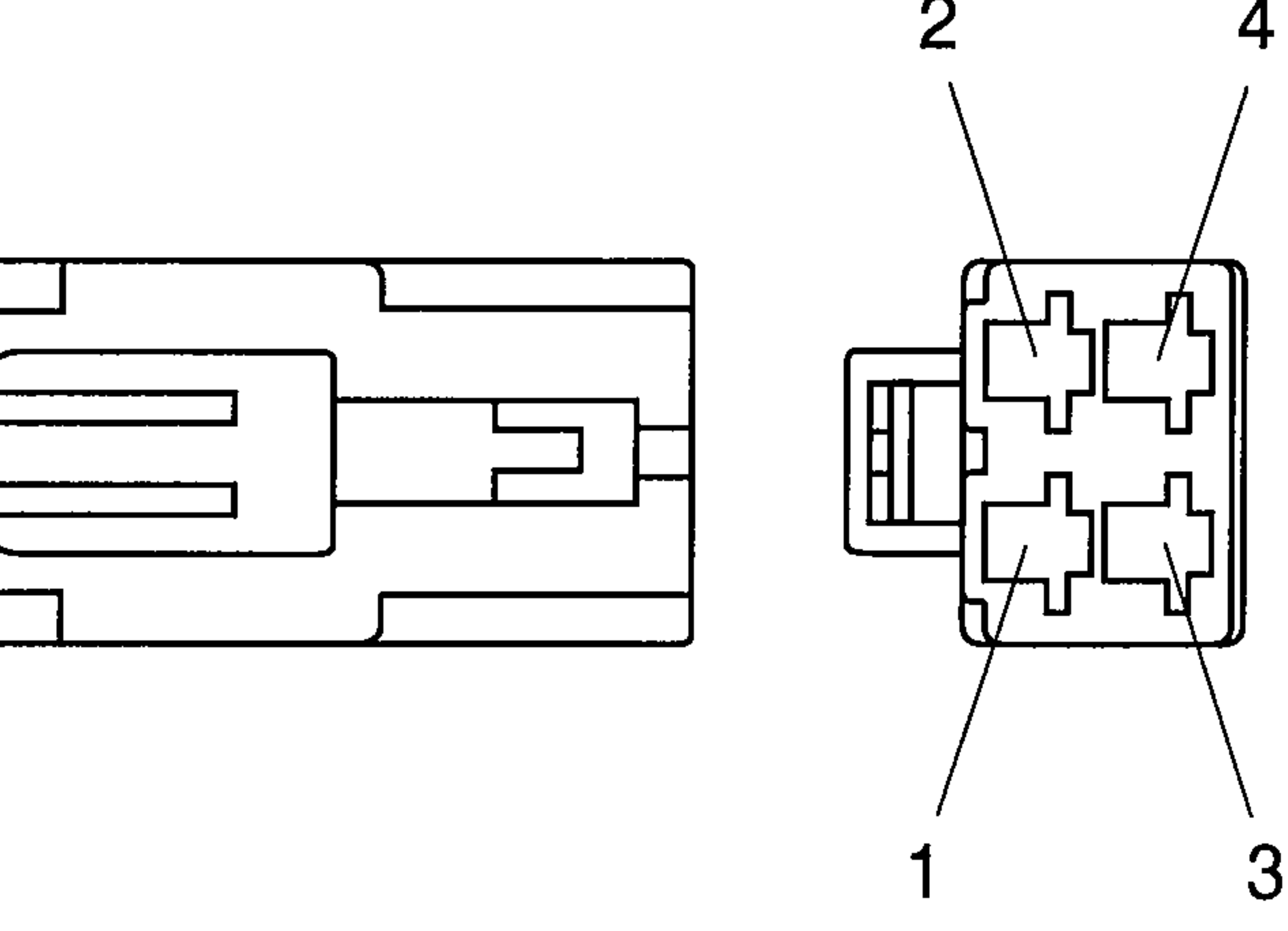
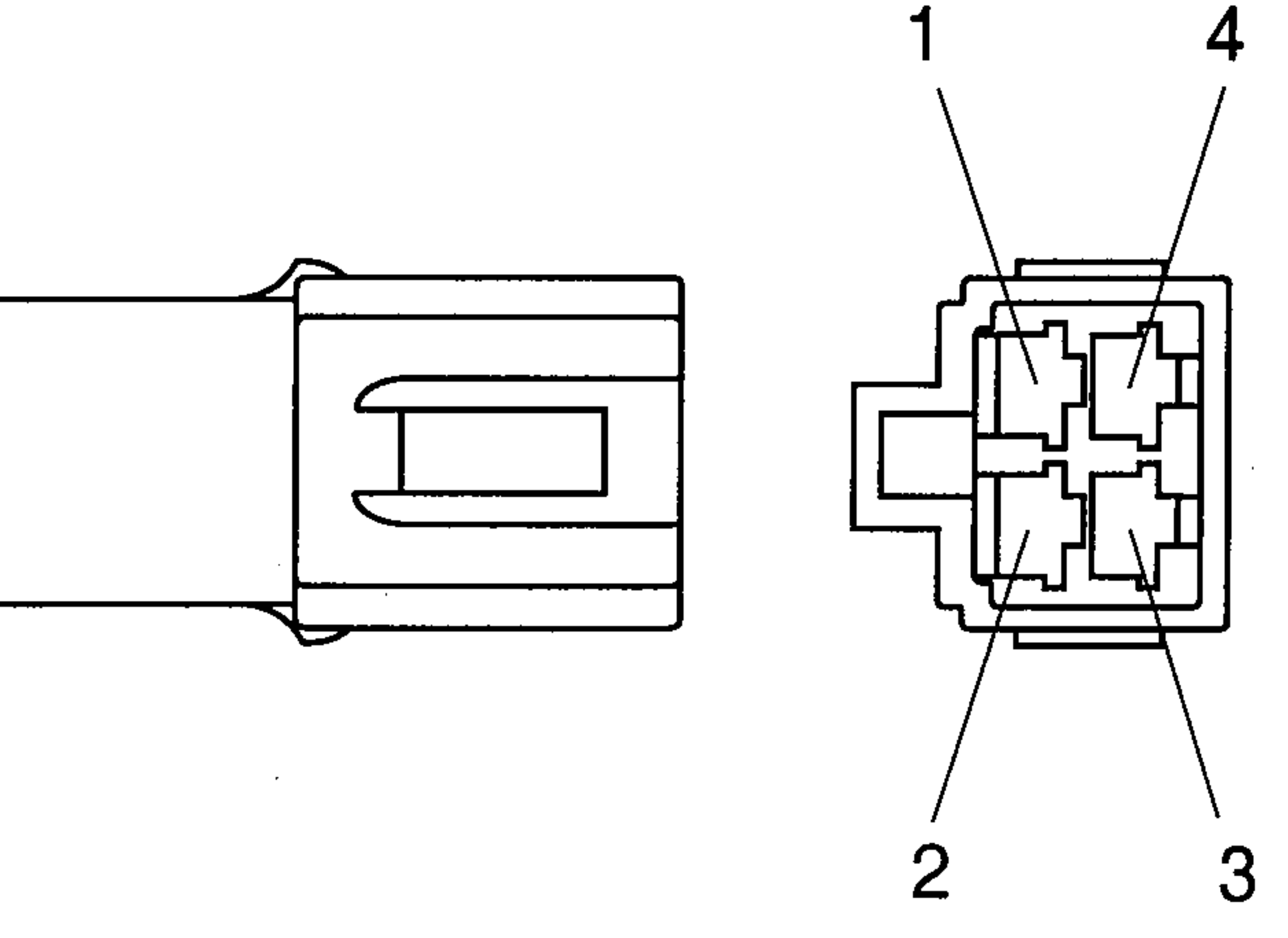
No. of pin	Receptacle connector(Female)	Plug connector(Male)
2	 <p data-bbox="926 884 1121 923">S816-002001</p>	 <p data-bbox="1686 884 1881 923">S816-102001</p>
3	 <p data-bbox="921 1418 1117 1457">S816-003001</p>	 <p data-bbox="1682 1418 1877 1457">S816-103001</p>

### 5) SWP TYPE CONNECTOR

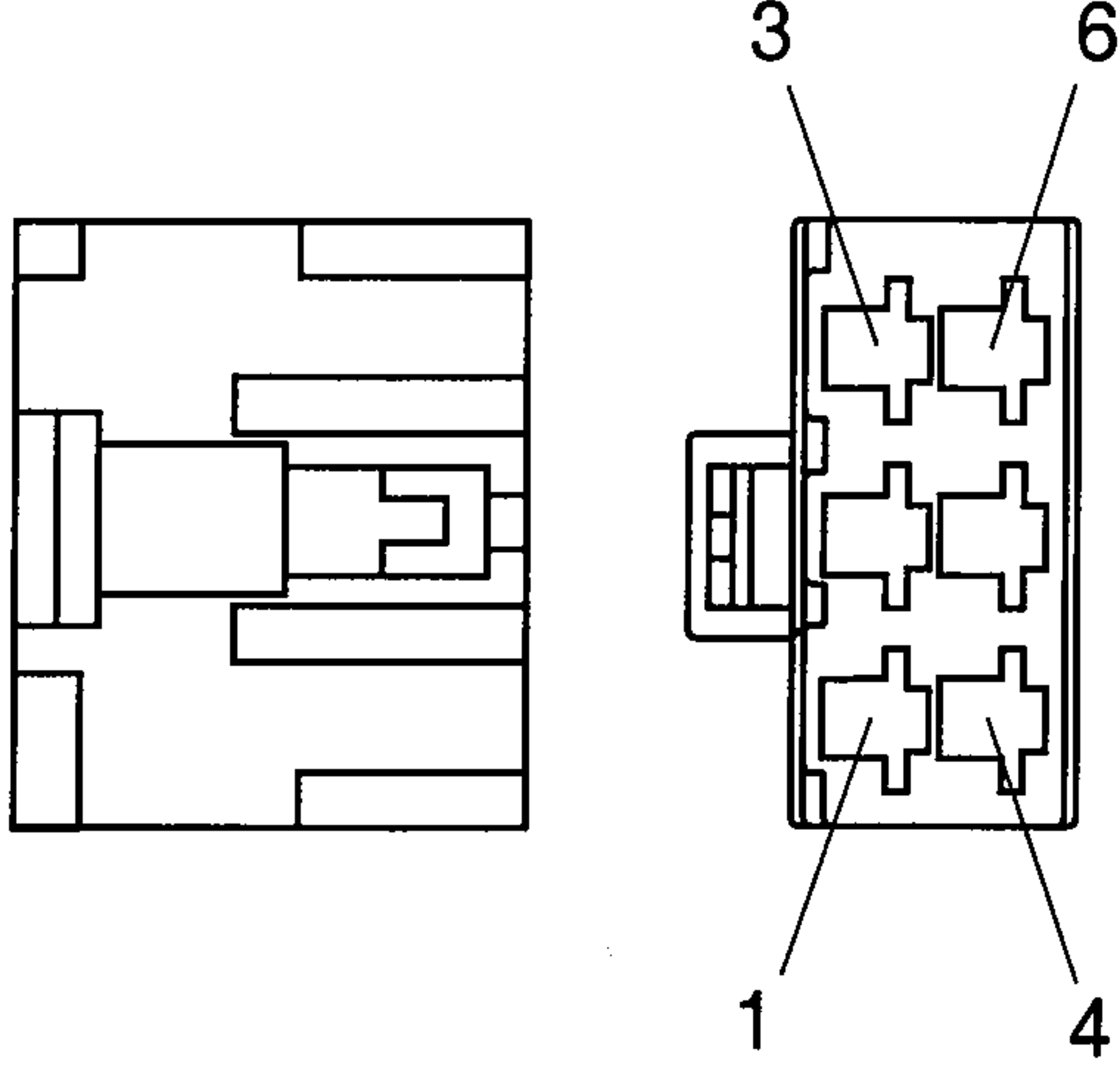
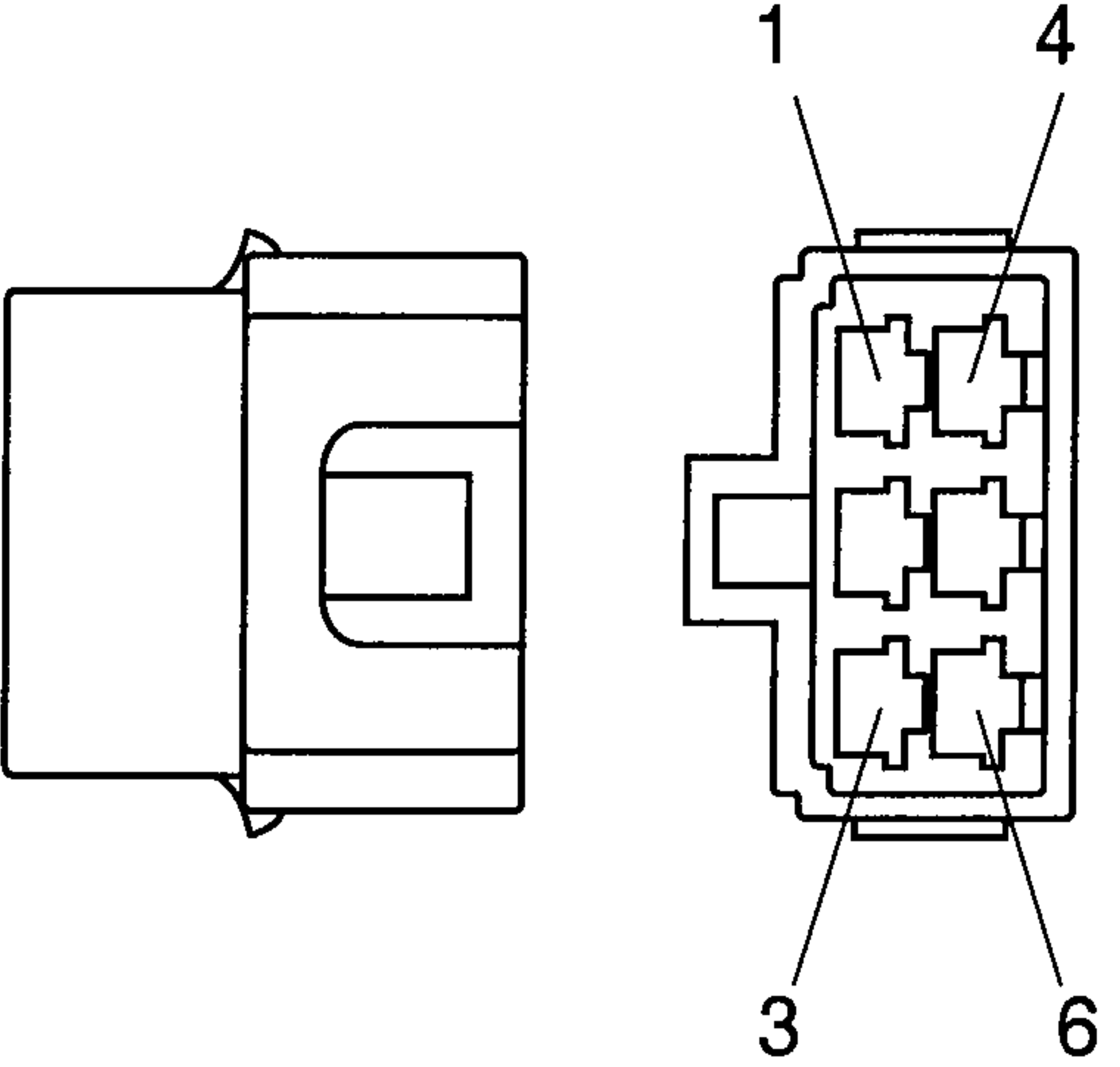
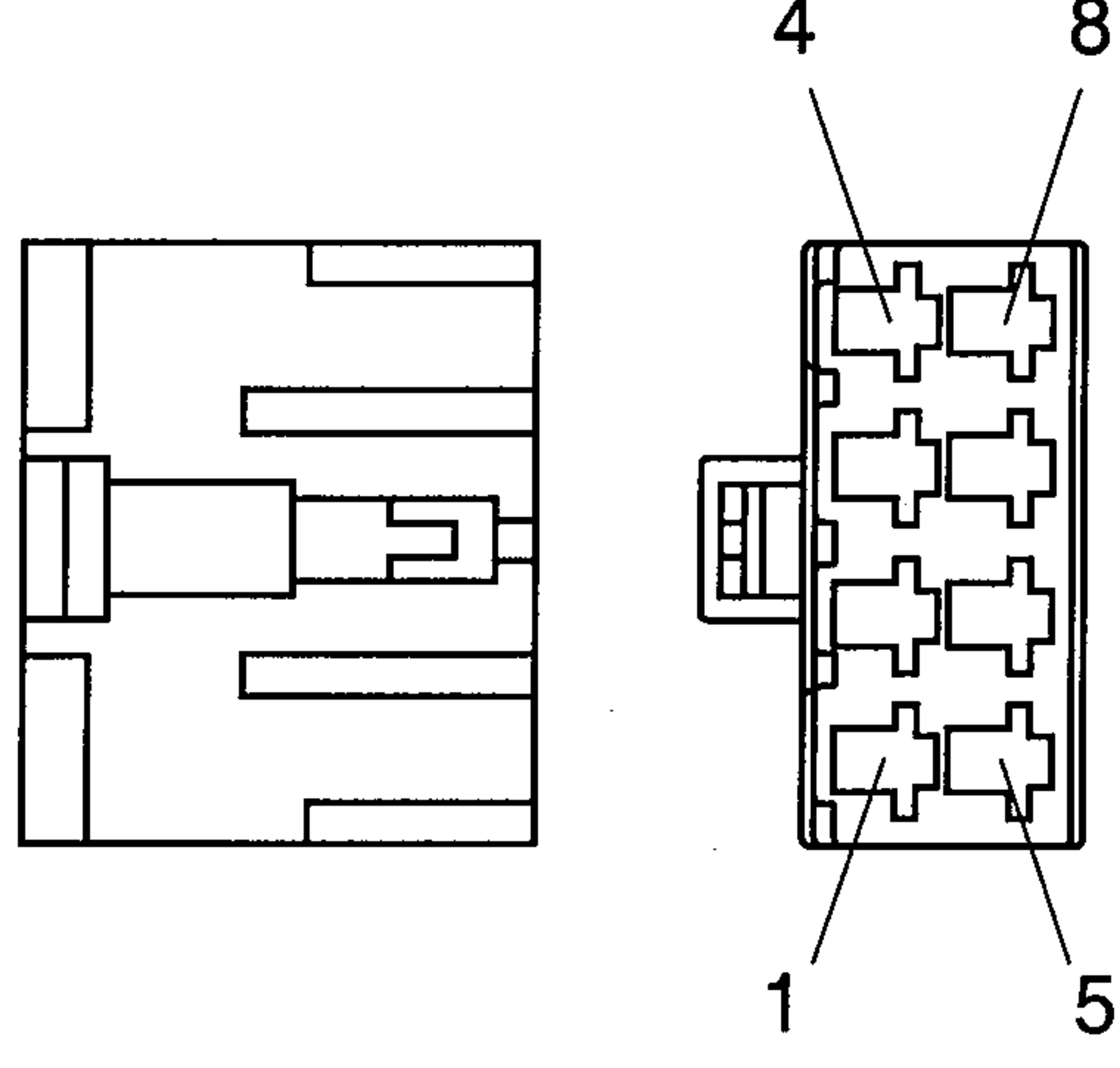
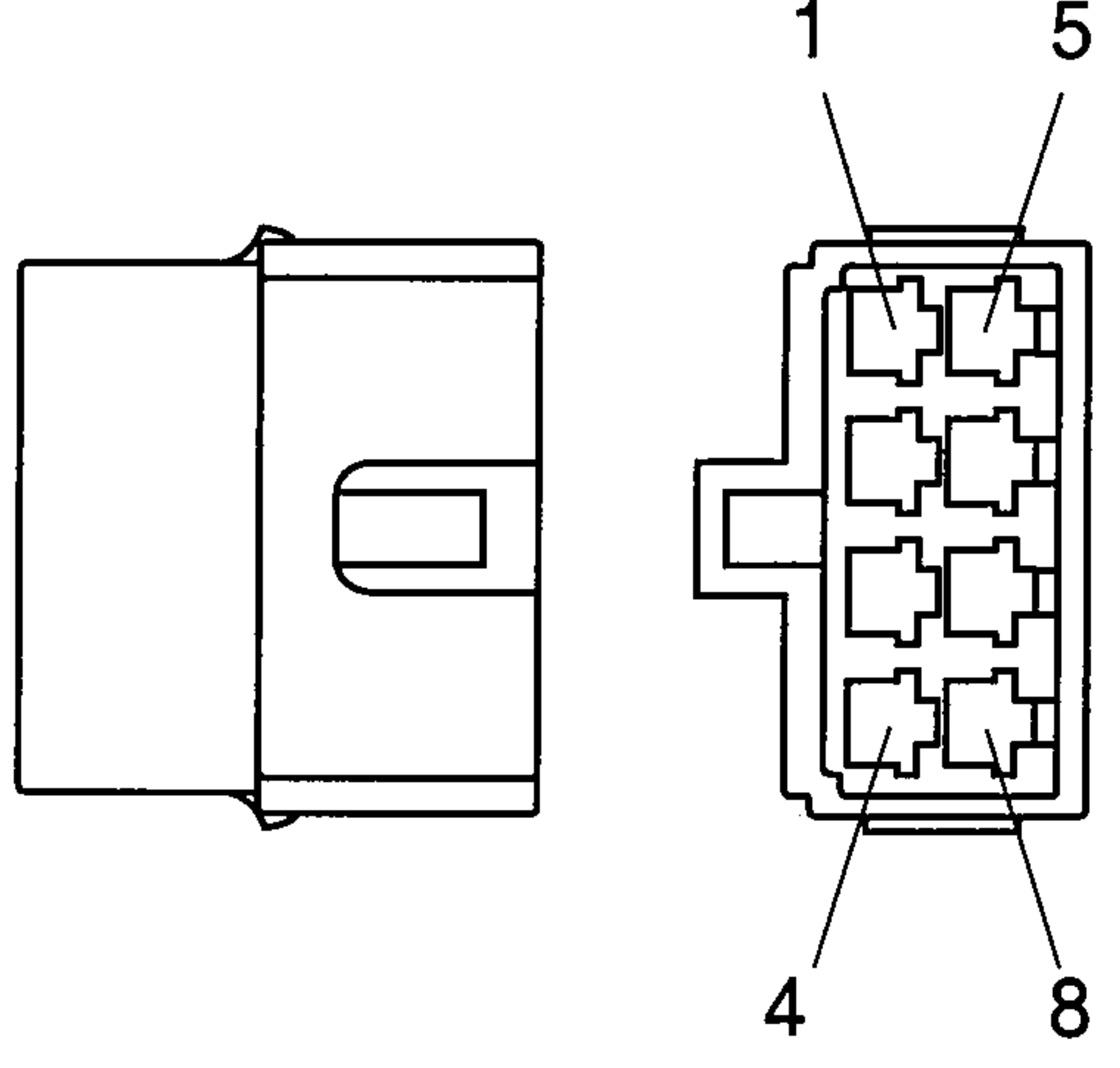
No. of pin	Receptacle connector(Female)	Plug connector(Male)
1	 <p data-bbox="924 875 1123 920">S814-001000</p>	 <p data-bbox="1680 875 1879 920">S814-101000</p>
2	 <p data-bbox="913 1409 1113 1454">S814-002000</p>	 <p data-bbox="1669 1409 1869 1454">S814-102000</p>
3	 <p data-bbox="903 1944 1102 1988">S814-003000</p>	 <p data-bbox="1659 1944 1858 1988">S814-103000</p>
4	 <p data-bbox="903 2493 1102 2537">S814-004000</p>	 <p data-bbox="1648 2493 1848 2537">S814-104000</p>

No. of pin	Receptacle connector(Female)	Plug connector(Male)
6	 <p data-bbox="919 878 1115 923">S814-006000</p>	 <p data-bbox="1675 878 1871 923">S814-106000</p>
8	 <p data-bbox="919 1421 1115 1466">S814-008000</p>	 <p data-bbox="1675 1421 1871 1466">S814-108000</p>
12	 <p data-bbox="919 1964 1115 2009">S814-012000</p>	 <p data-bbox="1675 1964 1871 2009">S814-112000</p>
14	 <p data-bbox="919 2507 1115 2552">S814-014000</p>	 <p data-bbox="1675 2507 1871 2552">S814-114000</p>

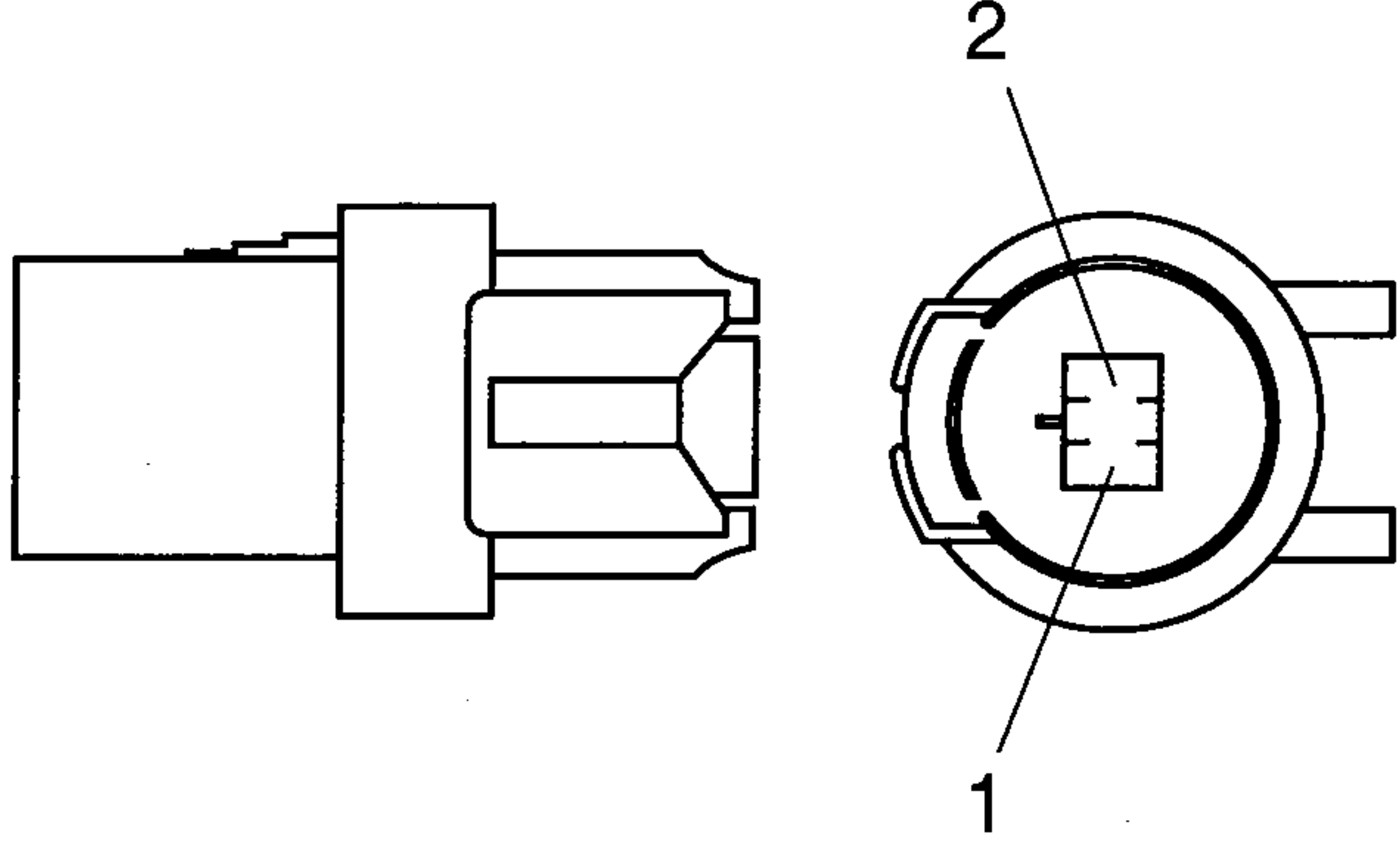
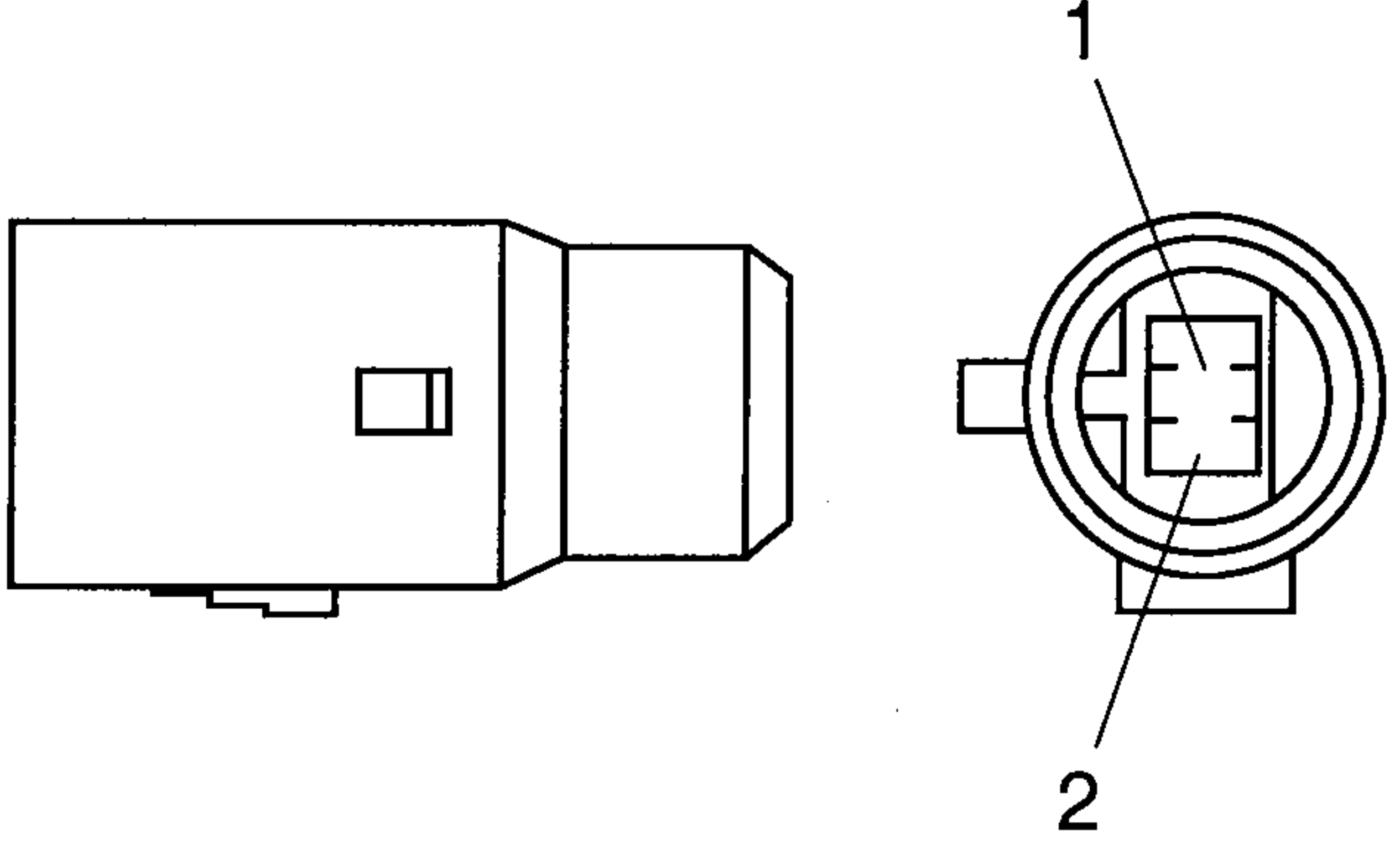
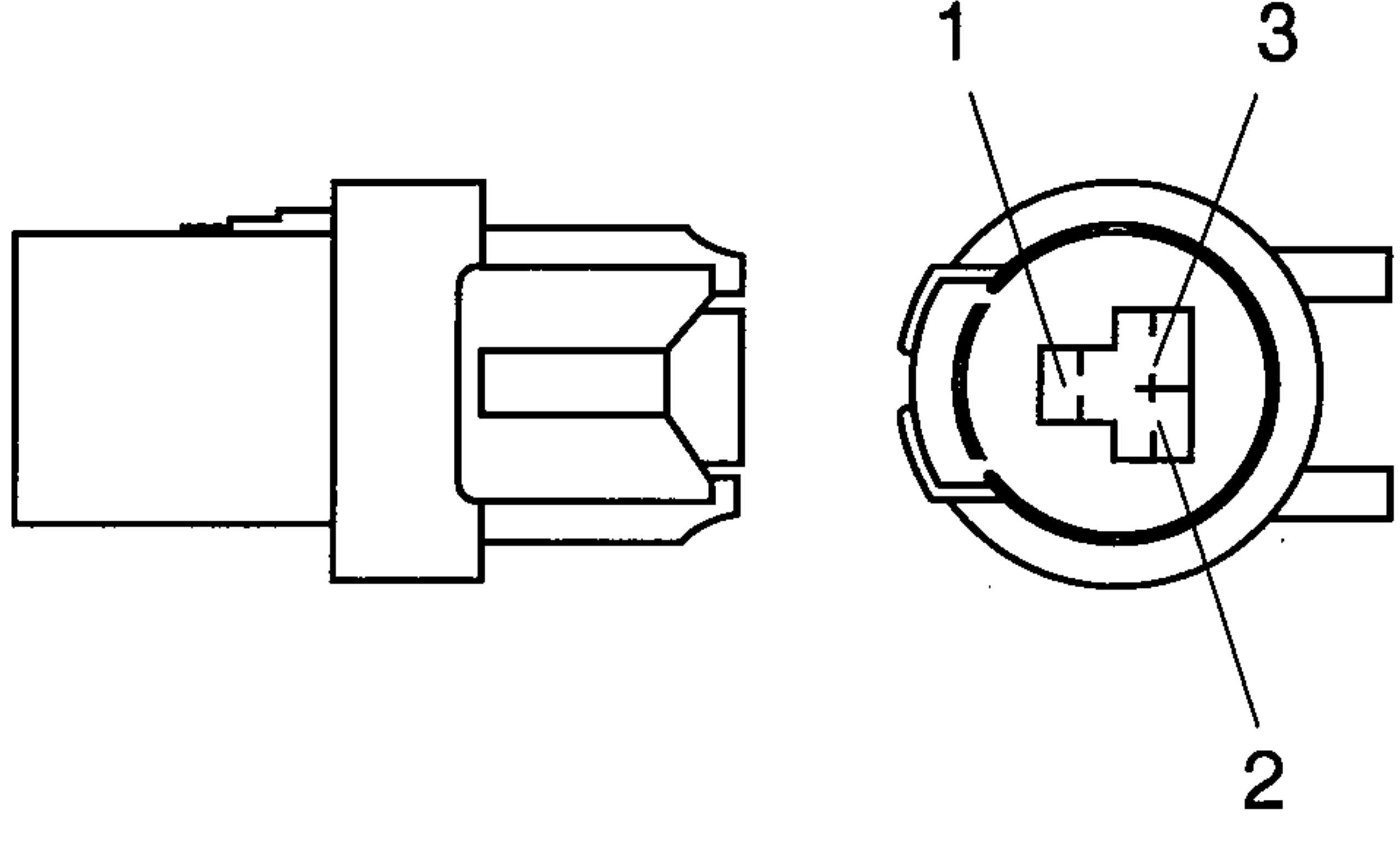
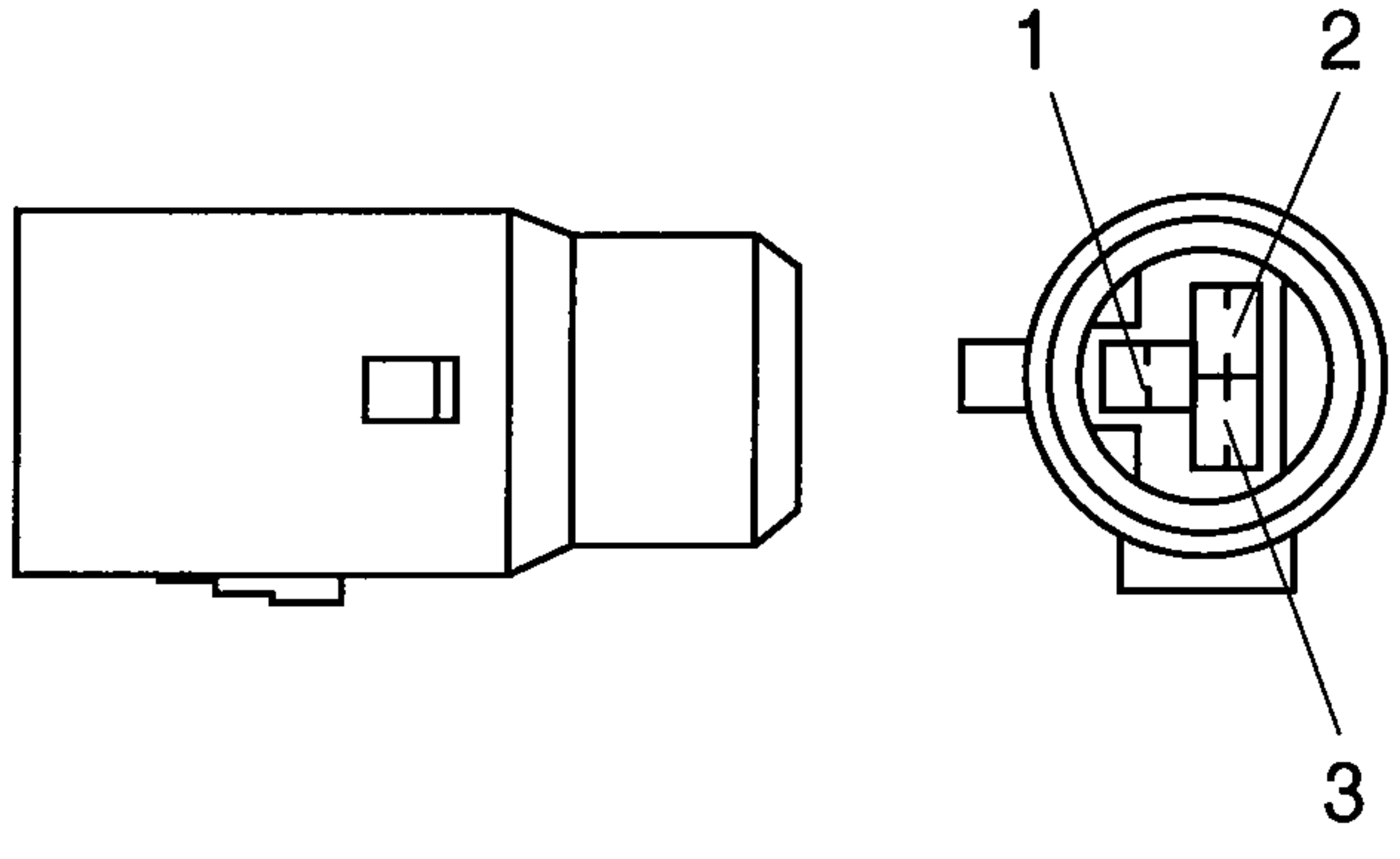
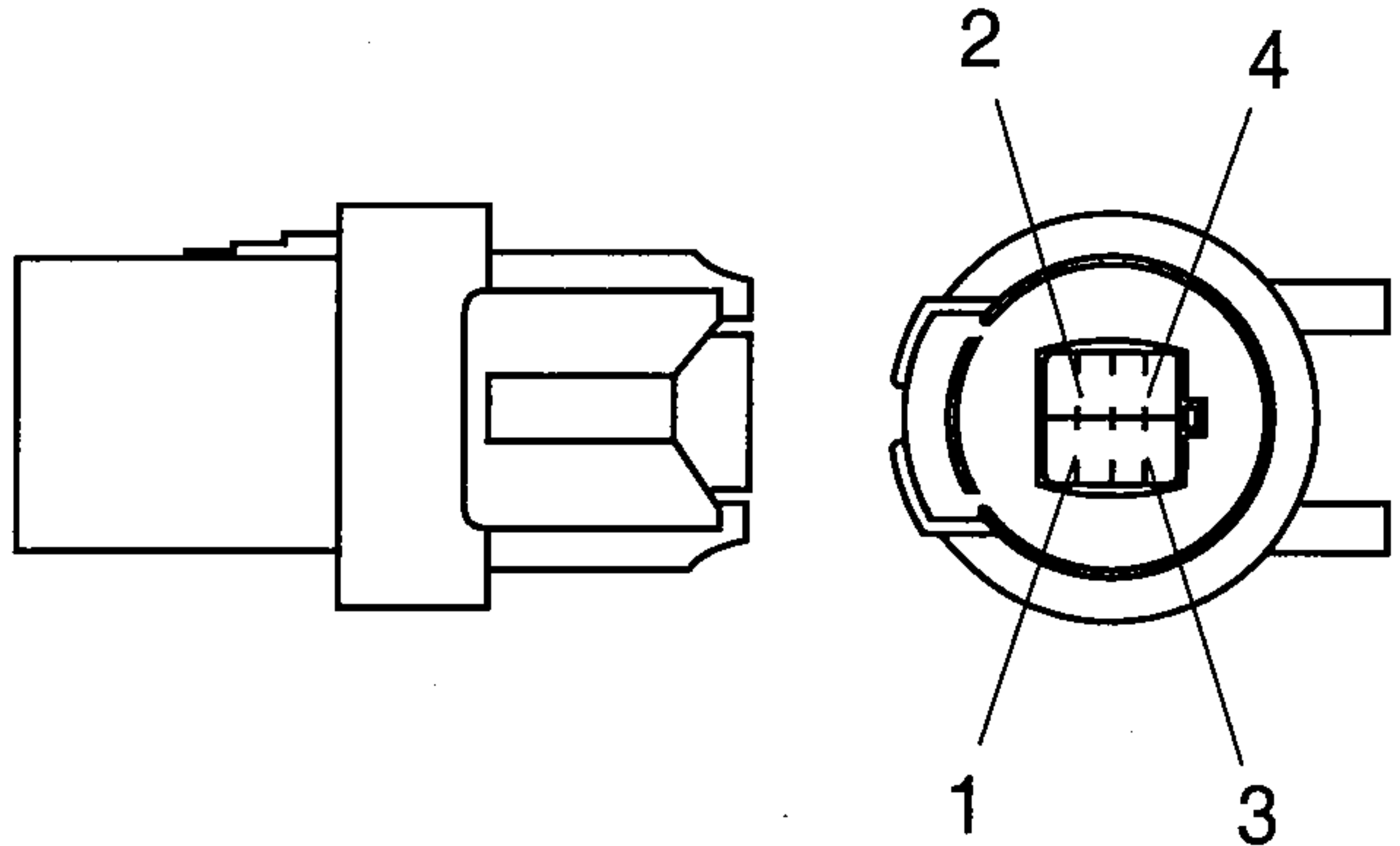
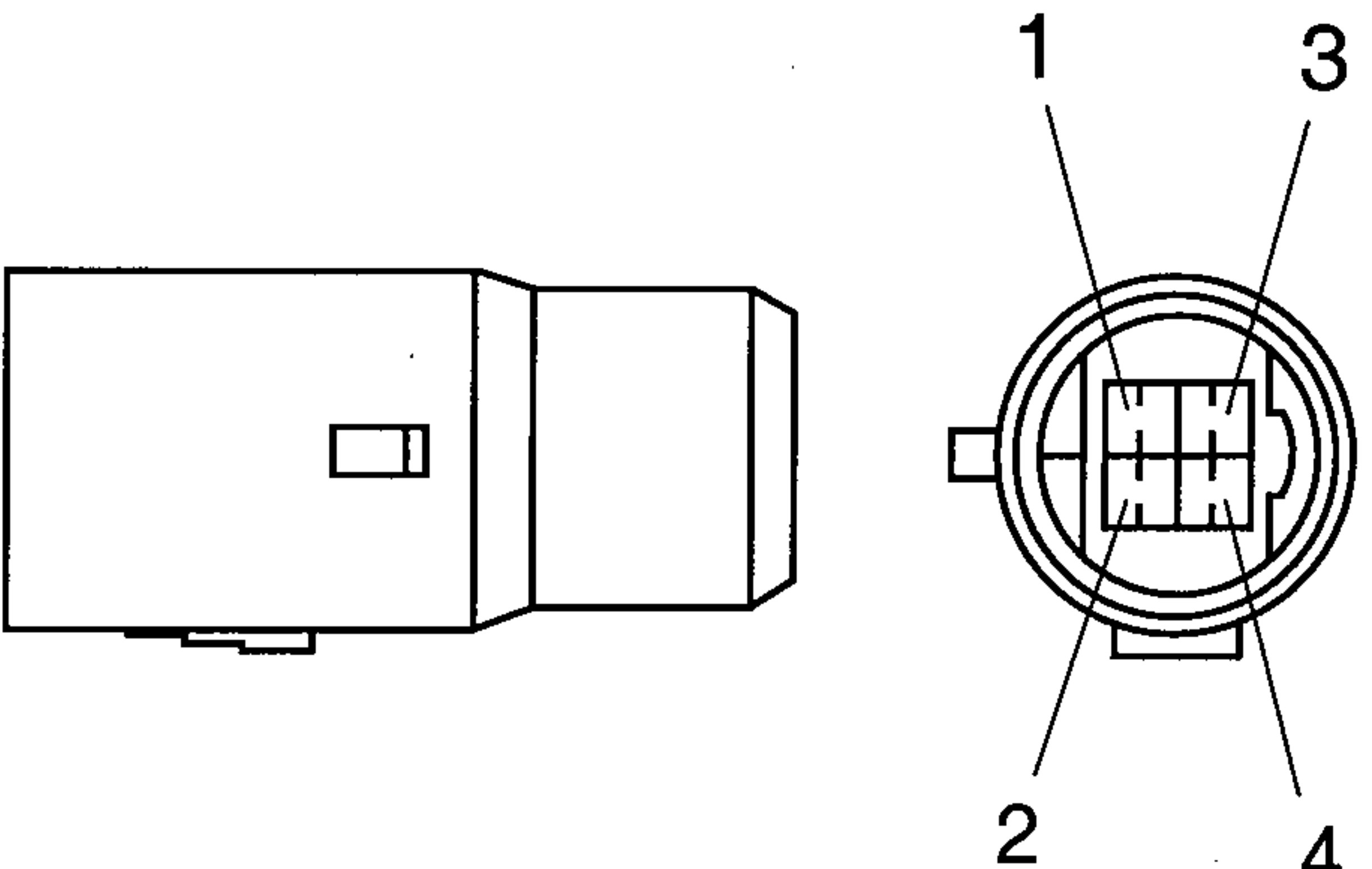
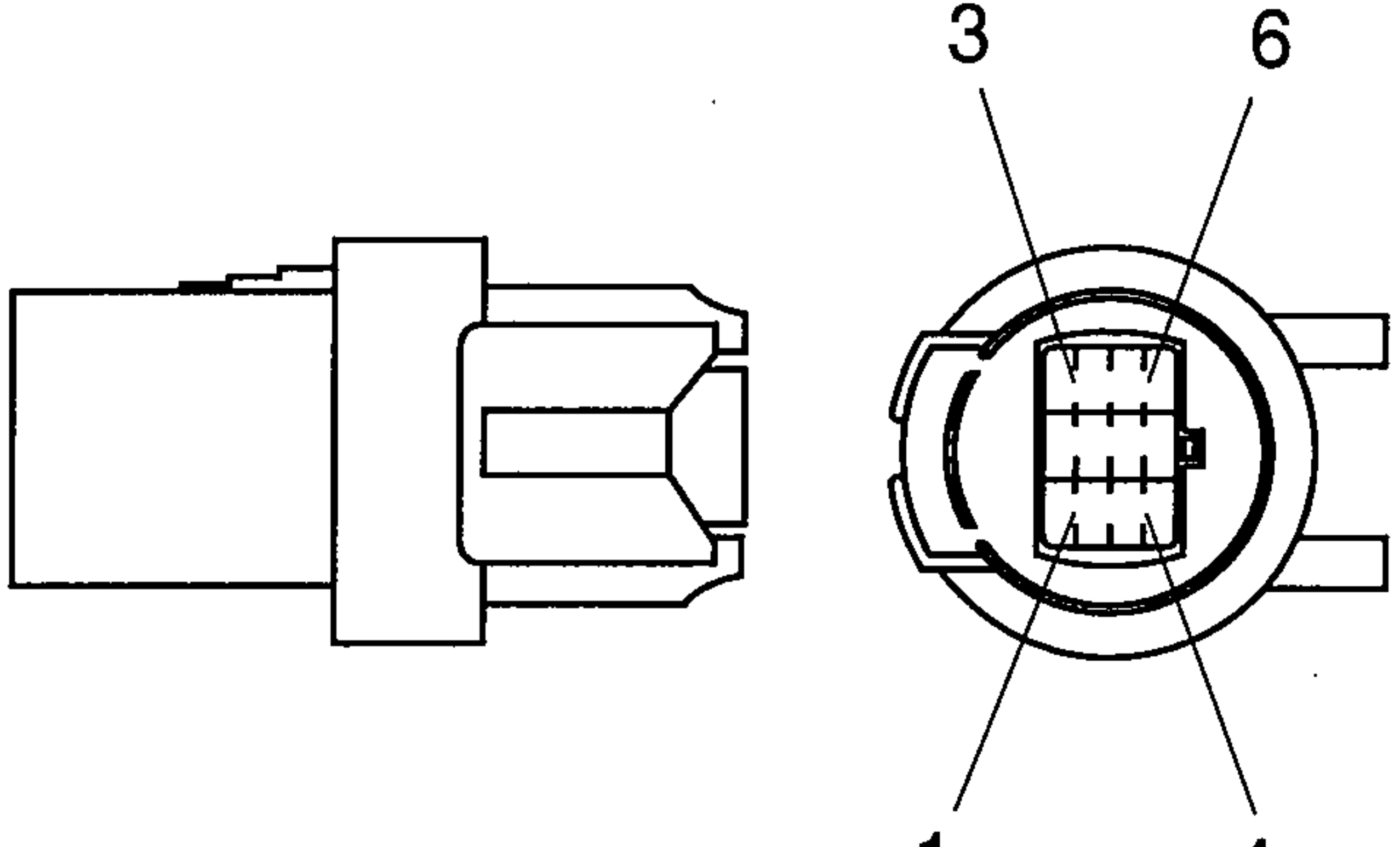
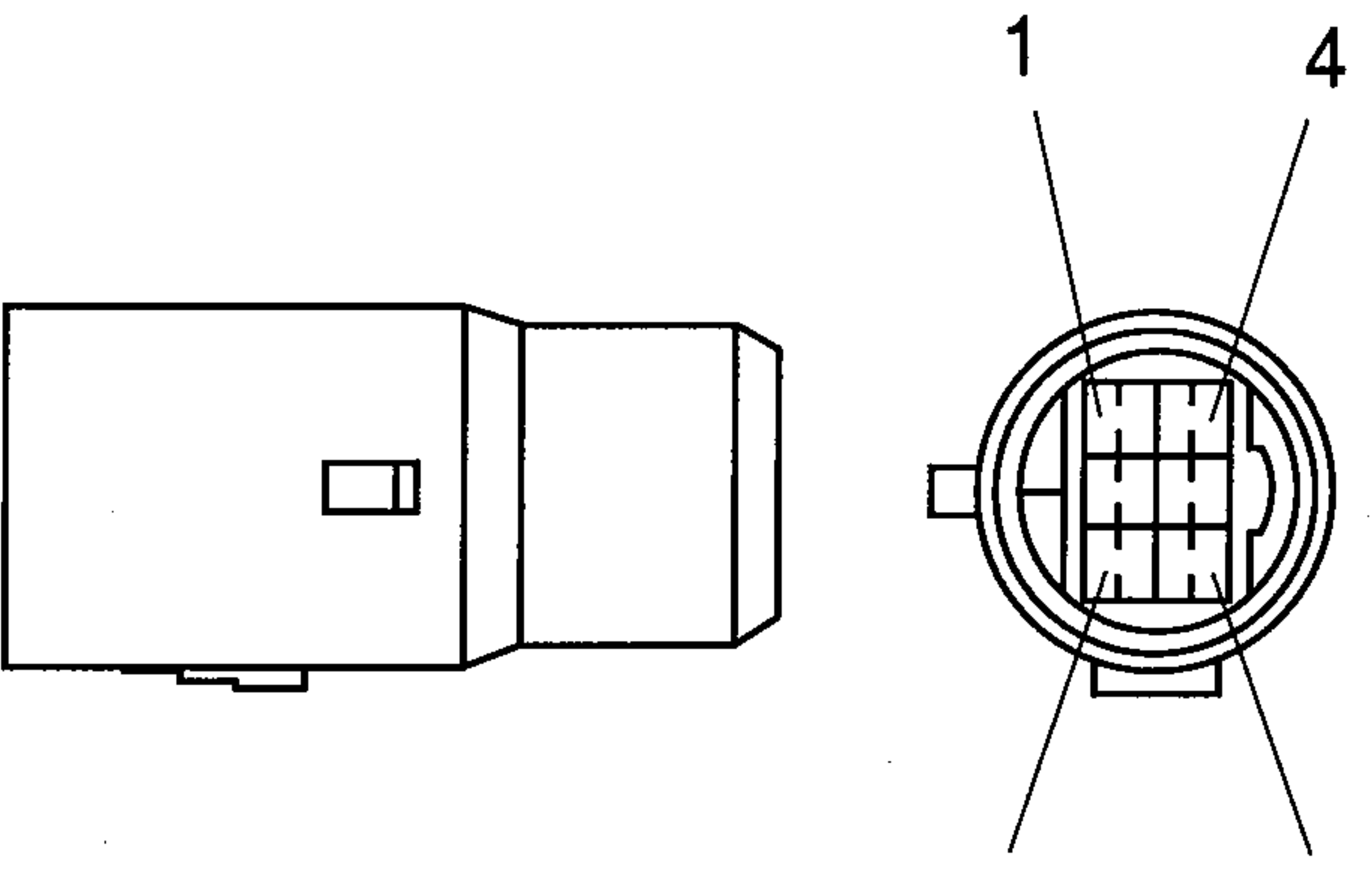
6) CN TYPE CONNECTOR

No. of pin	Receptacle connector(Female)	Plug connector(Male)
1	 <p style="text-align: center;">S810-001202</p>	 <p style="text-align: center;">S810-101202</p>
2	 <p style="text-align: center;">S810-002202</p>	 <p style="text-align: center;">S810-102202</p>
3	 <p style="text-align: center;">S810-003202</p>	 <p style="text-align: center;">S810-103202</p>
4	 <p style="text-align: center;">S810-004202</p>	 <p style="text-align: center;">S810-104202</p>

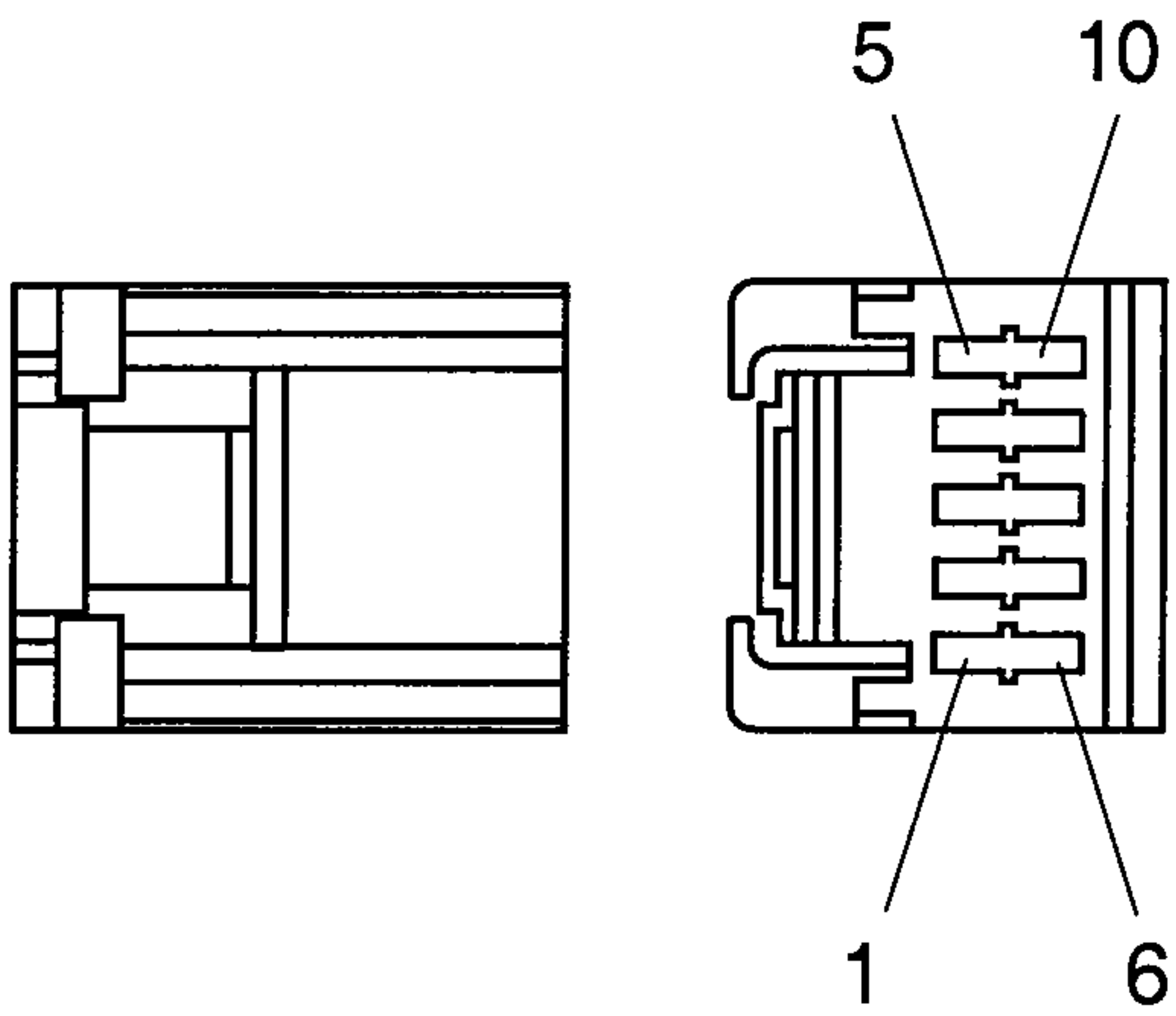
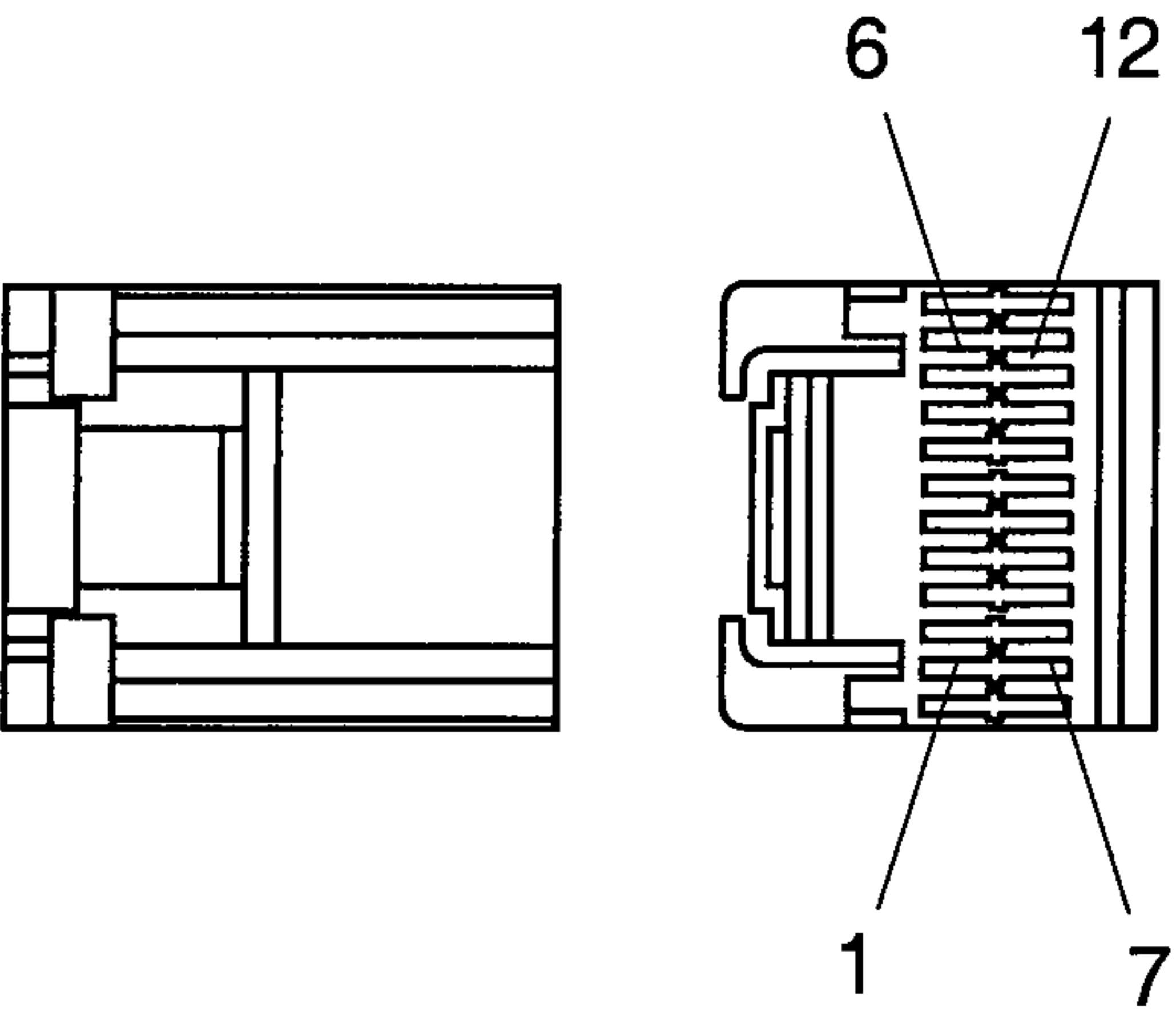
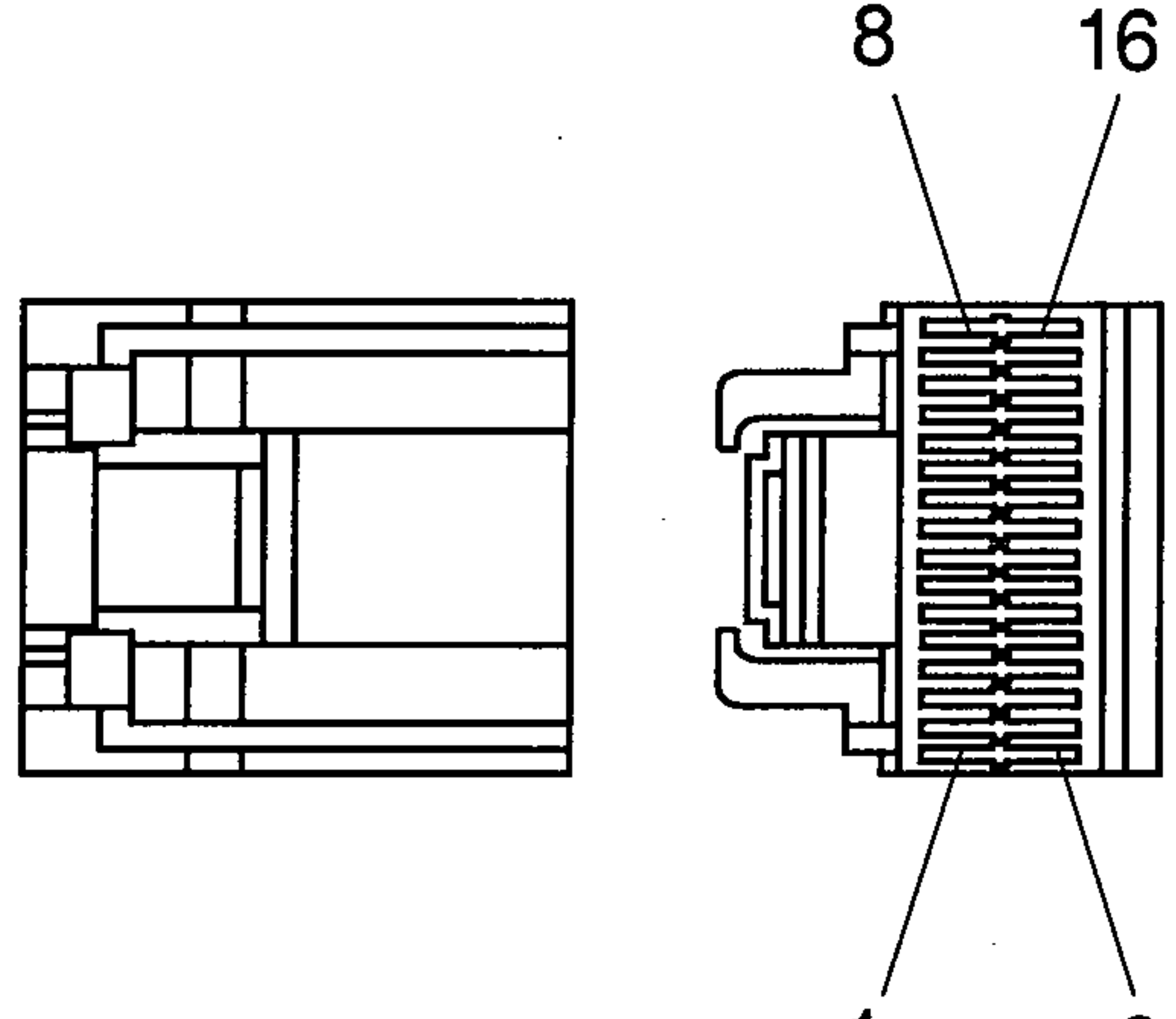
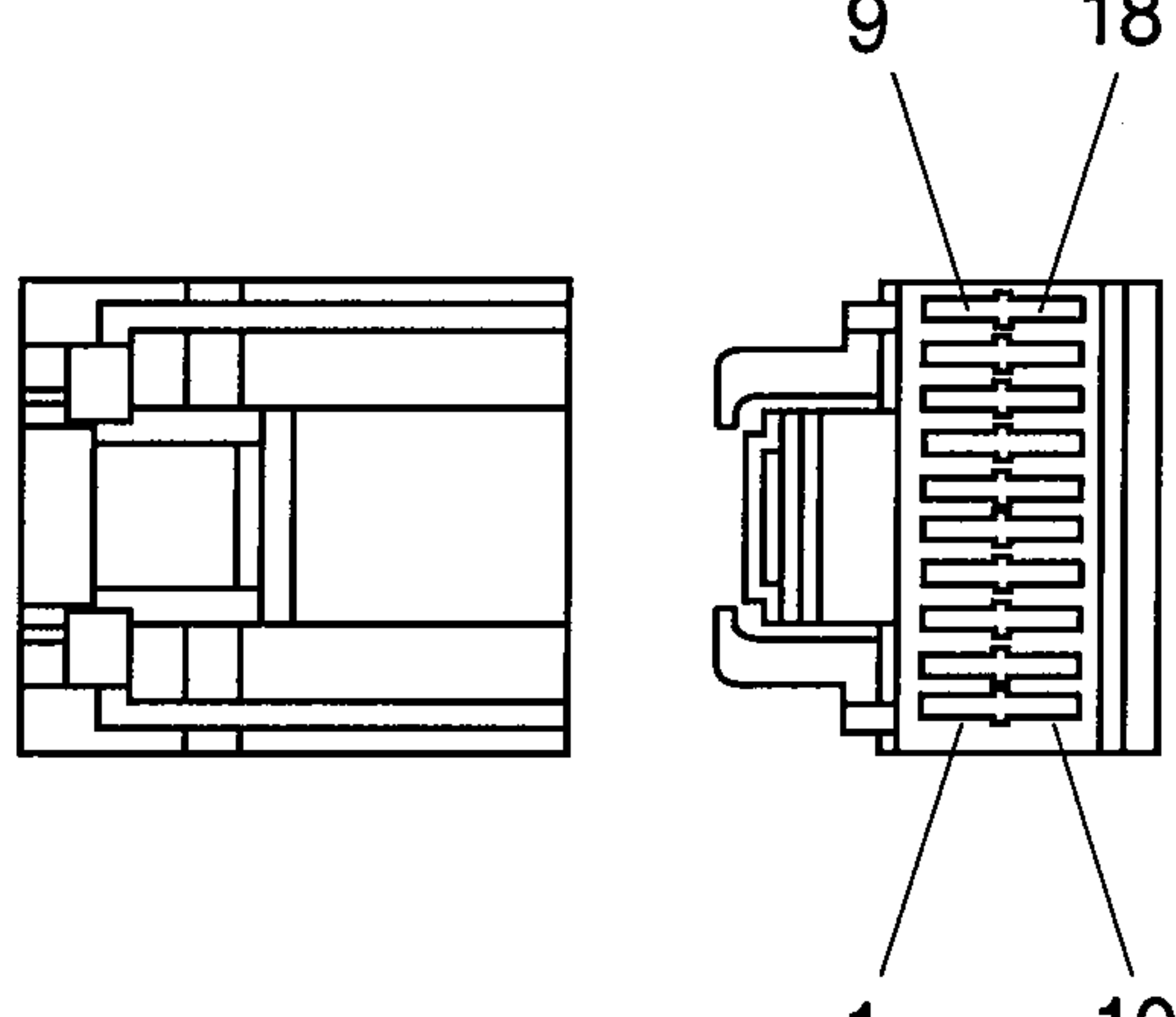


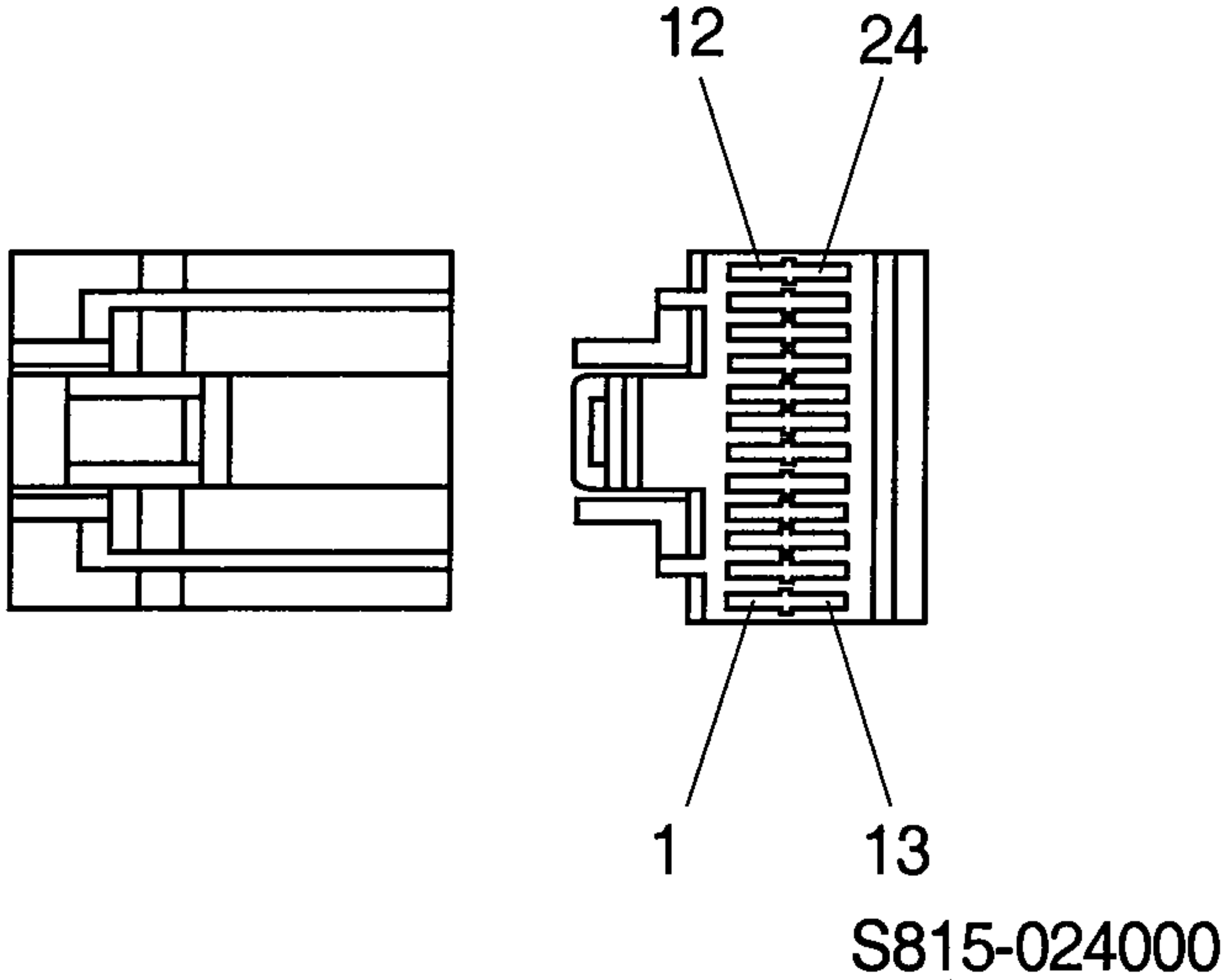
No. of pin	Receptacle connector(Female)	Plug connector(Male)
6	 <p data-bbox="930 884 1129 928">S810-006202</p>	 <p data-bbox="1686 884 1885 928">S810-106202</p>
8	 <p data-bbox="930 1421 1129 1466">S810-008202</p>	 <p data-bbox="1686 1421 1885 1466">S810-108202</p>

### 7) BS TYPE CONNECTOR

No. of pin	Receptacle connector(Female)	Plug connector(Male)
2	 <p data-bbox="926 884 1119 923">S812-002001</p>	 <p data-bbox="1682 884 1875 923">S812-102001</p>
3	 <p data-bbox="926 1418 1119 1457">S812-003001</p>	 <p data-bbox="1682 1418 1875 1457">S812-103001</p>
4	 <p data-bbox="926 1952 1119 1991">S812-004001</p>	 <p data-bbox="1682 1952 1875 1991">S812-104001</p>
6	 <p data-bbox="926 2499 1119 2537">S812-006001</p>	 <p data-bbox="1682 2499 1875 2537">S812-106001</p>

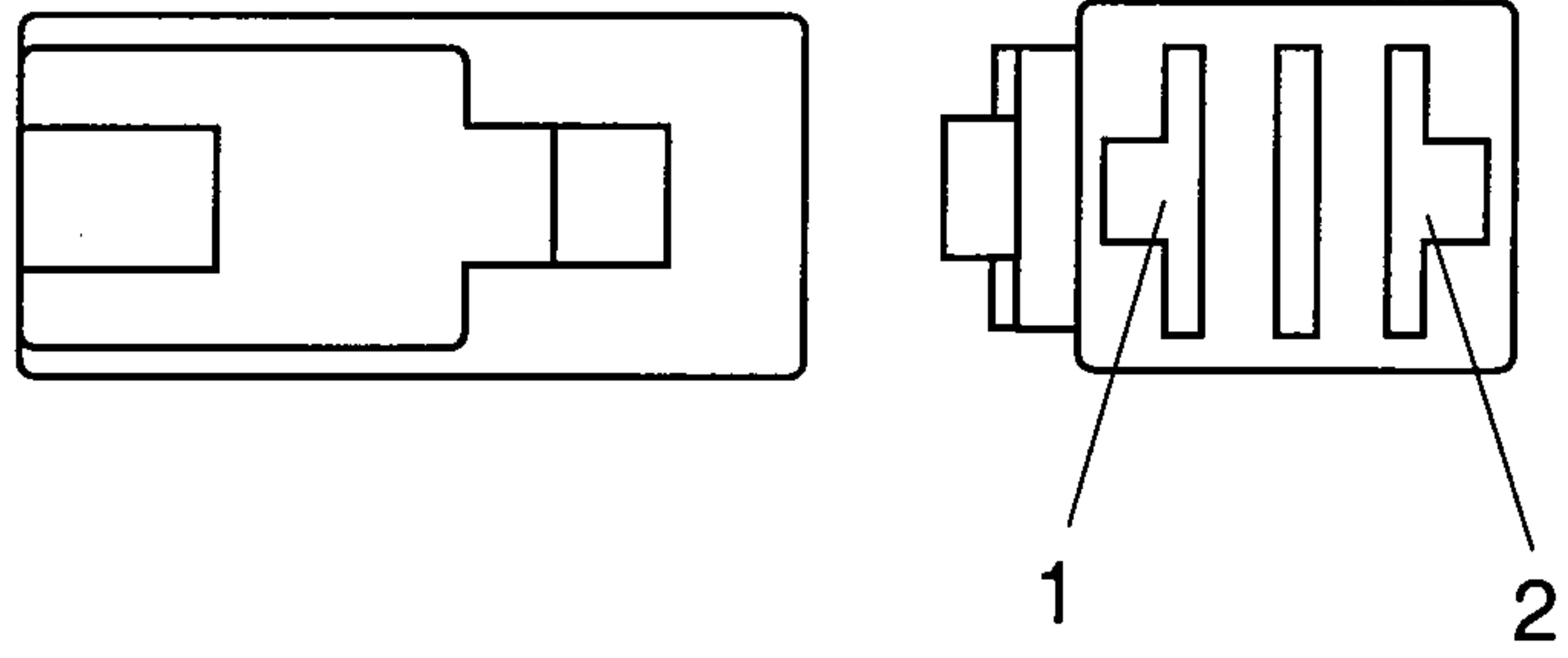
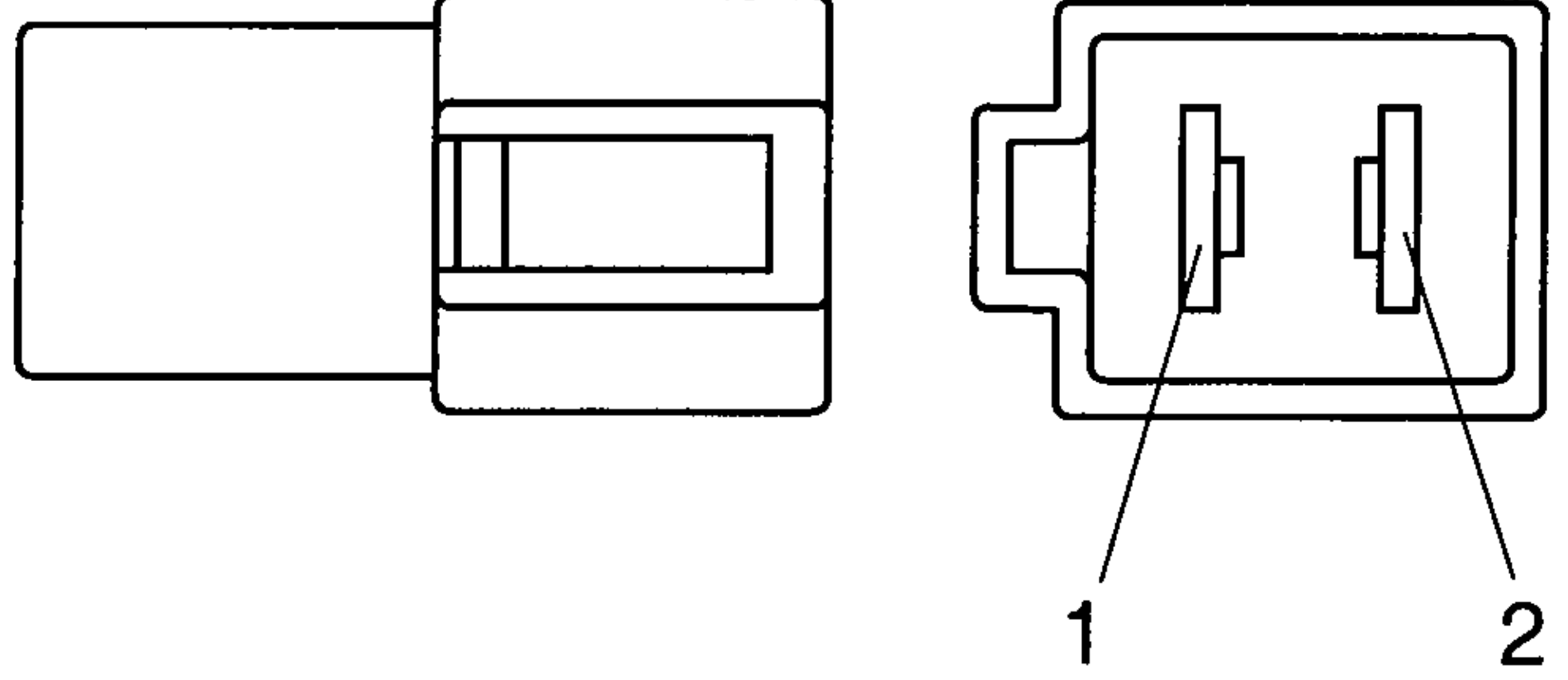
### 8) LC TYPE CONNECTOR

No. of pin	Receptacle connector(Female)	Plug connector(Male)
10	 <p style="text-align: center;">S815-010000</p>	
12	 <p style="text-align: center;">S815-012000</p>	
16	 <p style="text-align: center;">S815-016000</p>	
18	 <p style="text-align: center;">S815-018000</p>	

No. of pin	Receptacle connector(Female)	Plug connector(Male)
24	 <p style="text-align: center;">S815-024000</p>	



**9) 375 FASTEN TYPE CONNECTOR**

No. of pin	Receptacle connector(Female)	Plug connector(Male)
2	 <p style="text-align: center;">S810-002402</p>	 <p style="text-align: center;">S810-102402</p>