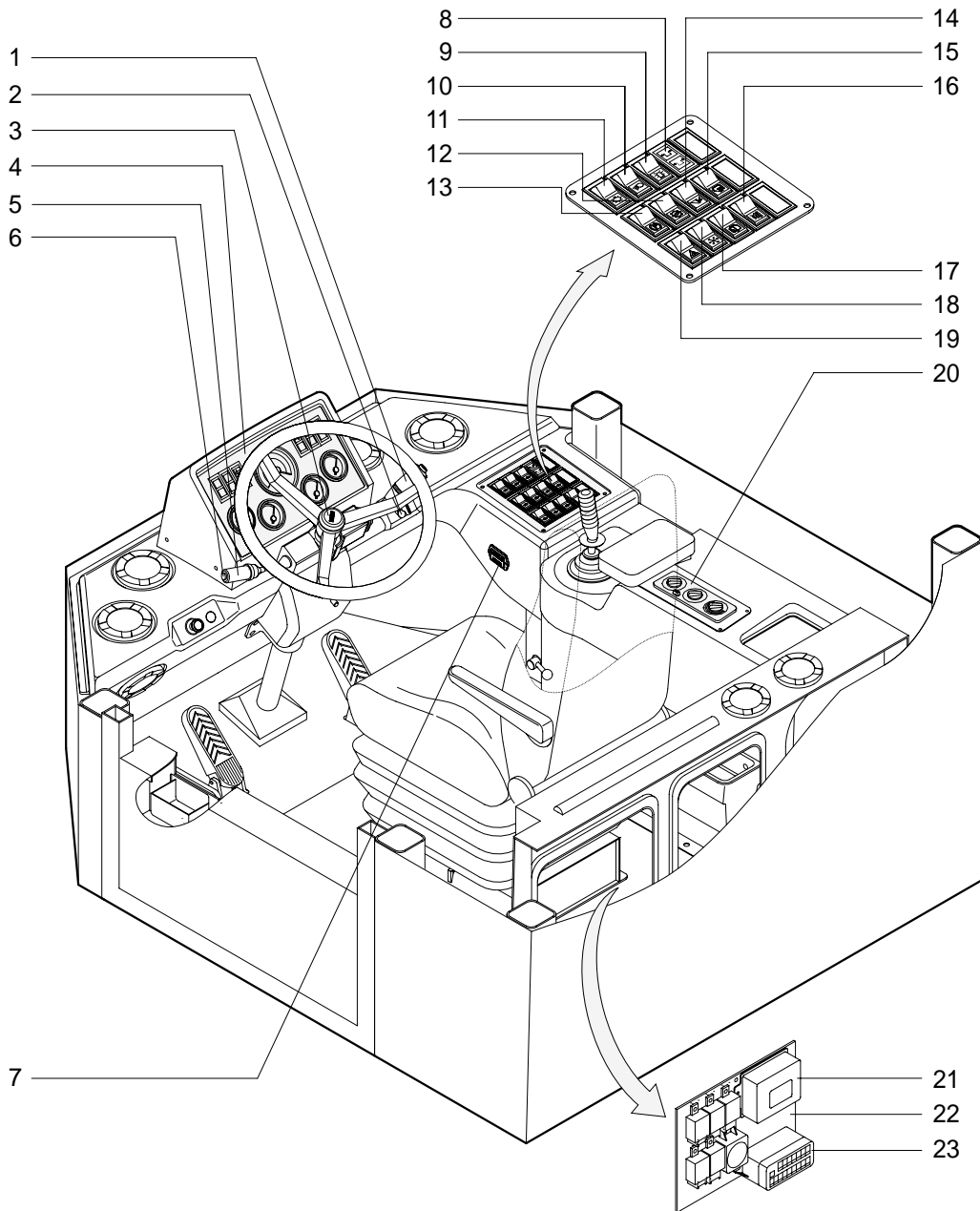


SECTION 7 ELECTRICAL SYSTEM

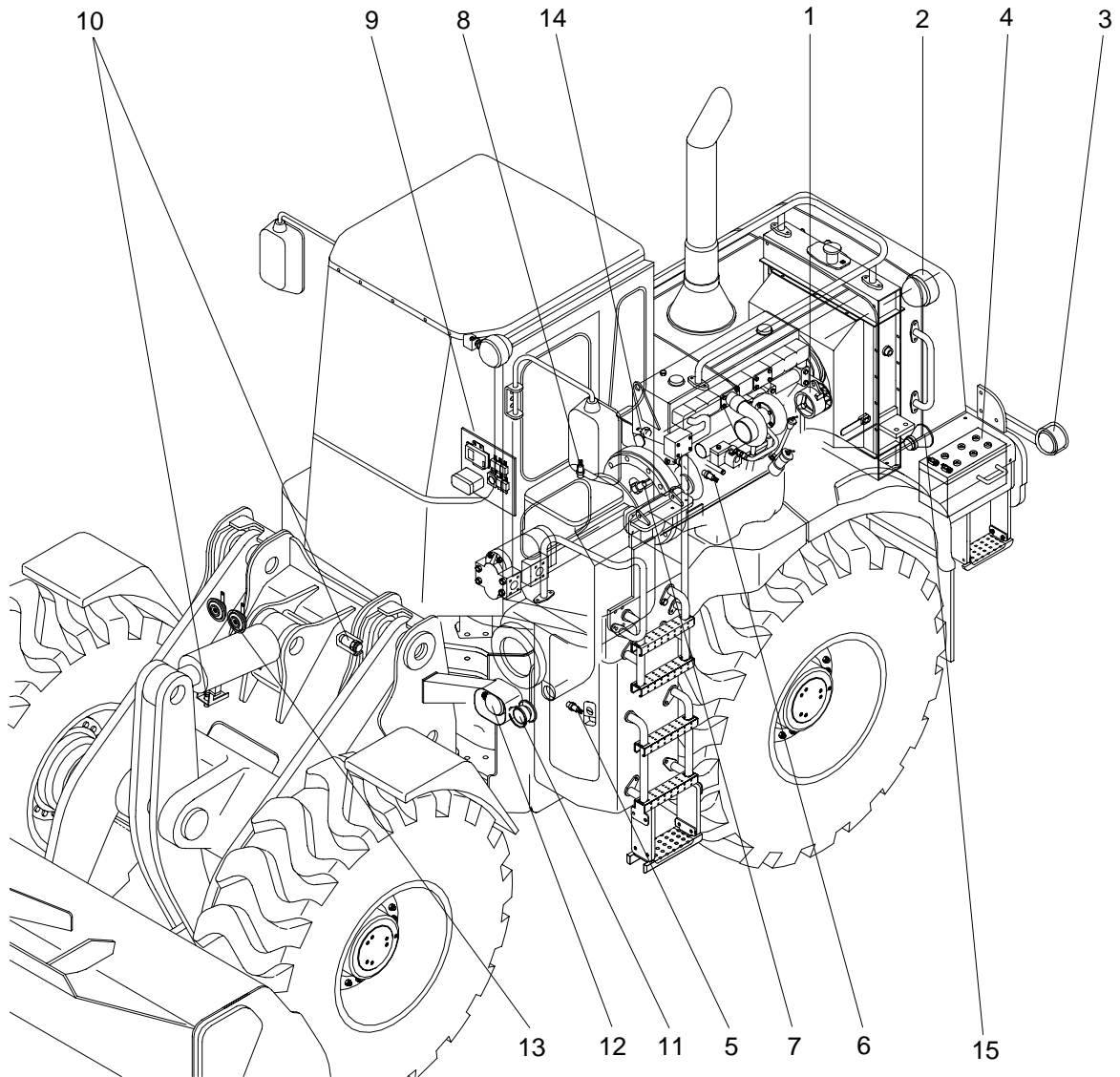
GROUP 1 COMPONENT LOCATION

1. LOCATION 1



- | | | | | | |
|---|------------------------------------|----|--------------------------|----|--------------------------|
| 1 | Multi function switch | 9 | Beacon switch(opt) | 17 | Rear wiper/washer switch |
| 2 | Starting switch | 10 | Work lamp switch | 18 | Air conditioner switch |
| 3 | Horn button | 11 | Main light switch | 19 | Hazard switch |
| 4 | Cluster | 12 | Clutch cut off switch | 20 | Aircon & heater switch |
| 5 | Gear selector lever | 13 | Parking brake switch | 21 | Check unit |
| 6 | Kick down switch | 14 | Ride control switch(opt) | 22 | Relay board |
| 7 | Service meter | 15 | Cold start switch(opt) | 23 | Fuse box |
| 8 | Emergency steering pilot lamp(opt) | 16 | Buzzer stop switch | | |

2. LOCATION 2



1 Alternator

2 Light

3 Rear combination lamp

4 Battery

5 Overheat switch

6 Temp sensor

7 T/M temp sensor

8 Pressure switch

9 Relay board

10 Proximate switch

11 Front combination lamp

12 Light

13 Air horn

14 Engine oil pressure switch

15 Back up buzzer