

## SECTION 7 ELECTRICAL SYSTEM

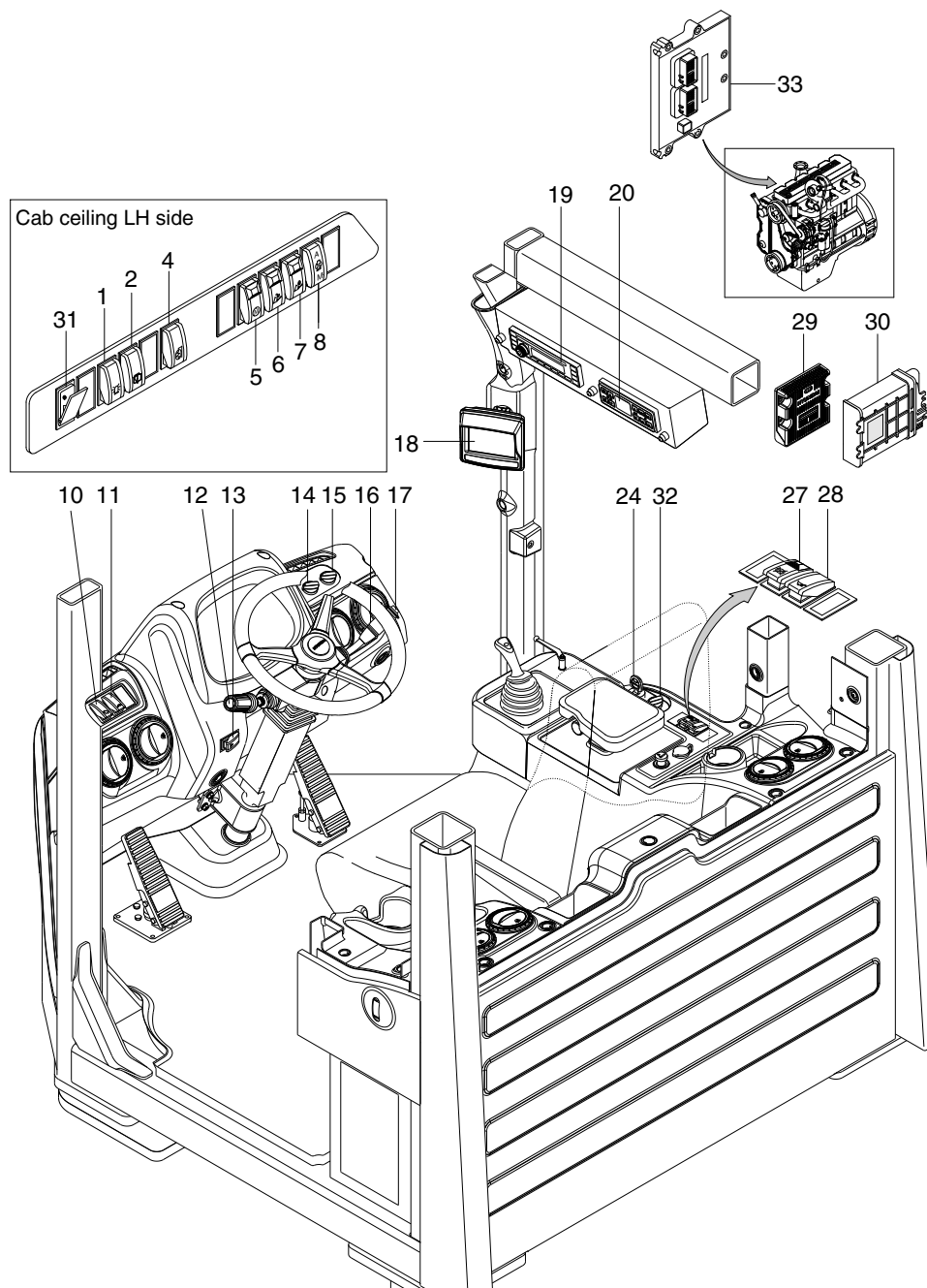
---

Group 1 Component Location .....	7-1
Group 2 Electrical Circuit .....	7-3
Group 3 Monitoring System .....	7-21
Group 4 Electrical Component Specification .....	7-48
Group 5 Connectors .....	7-56
Group 6 Troubleshooting .....	7-77

# SECTION 7 ELECTRICAL SYSTEM

## GROUP 1 COMPONENT LOCATION

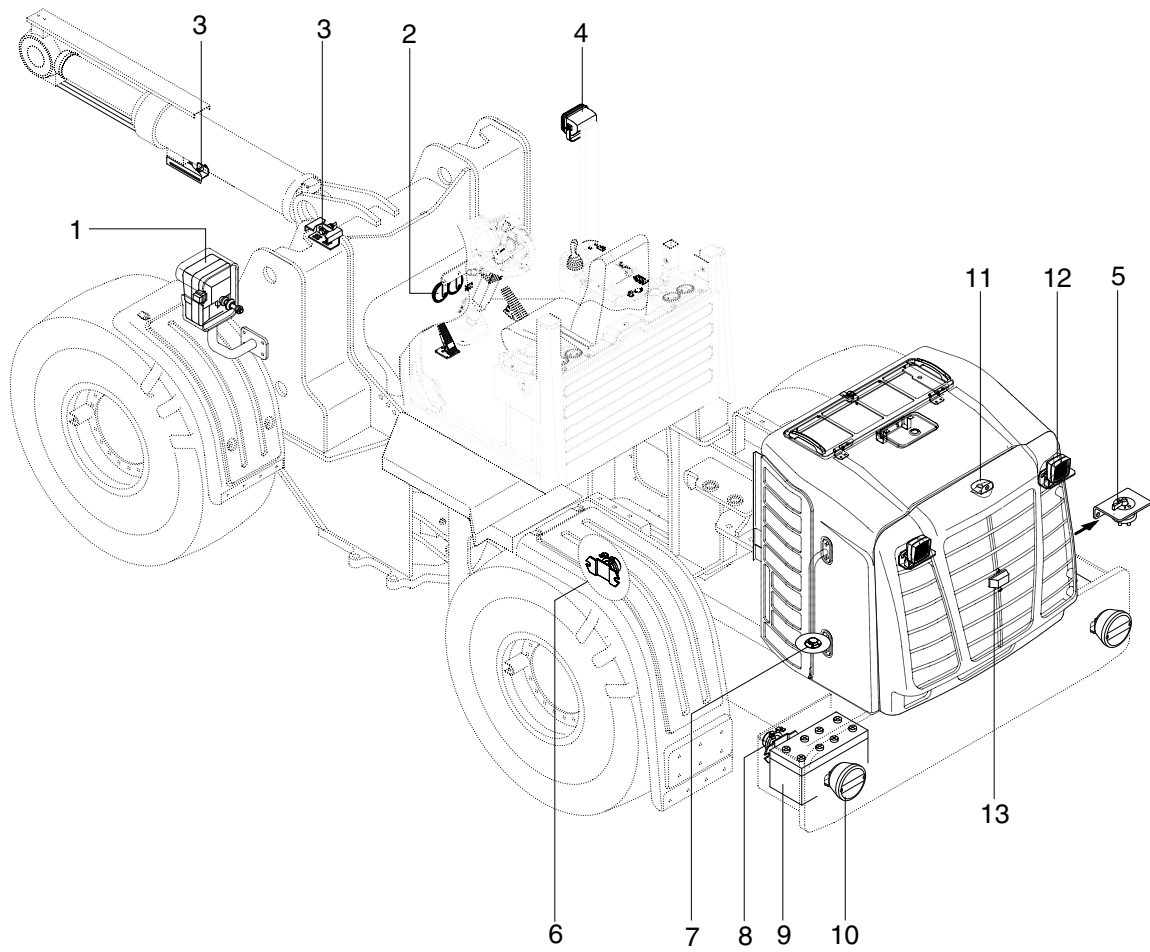
### 1. LOCATION 1



7709S7EL02A

- |                                  |                               |                               |
|----------------------------------|-------------------------------|-------------------------------|
| 1 Beacon switch (opt)            | 12 Kick down switch           | 24 Starting switch            |
| 2 Rear wiper / washer switch     | 13 Hazard switch              | 27 Parking brake switch       |
| 4 Mirror defrost switch          | 14 T/M shift mode switch      | 28 Ride control switch (opt)  |
| 5 Emergency test switch (opt)    | 15 Clutch cut off mode switch | 29 Machine control unit (MCU) |
| 6 Attachment lock switch (opt)   | 16 Multi function switch      | 30 T/M control unit (TCU)     |
| 7 Attachment unlock switch (opt) | 17 Horn switch                | 31 USB socket                 |
| 8 Fan control switch             | 18 Monitor                    | 32 Engine mode switch         |
| 10 Main light switch             | 19 Radio & USB player         | 33 Engine control unit (ECU)  |
| 11 Work lamp switch              | 20 Aircon & heater switch     |                               |

## 2. LOCATION 2



7609S7EL02-1

- |   |                  |    |                 |    |                   |
|---|------------------|----|-----------------|----|-------------------|
| 1 | Head lamp        | 6  | Start relay     | 11 | Camera (opt)      |
| 2 | Horn             | 7  | Fuel sender     | 12 | Work lamp         |
| 3 | Proximity switch | 8  | Battery relay   | 13 | Number plate lamp |
| 4 | Work lamp        | 9  | Battery         |    |                   |
| 5 | Master switch    | 10 | Rear combi lamp |    |                   |