

## SECTION 7 ELECTRICAL SYSTEM

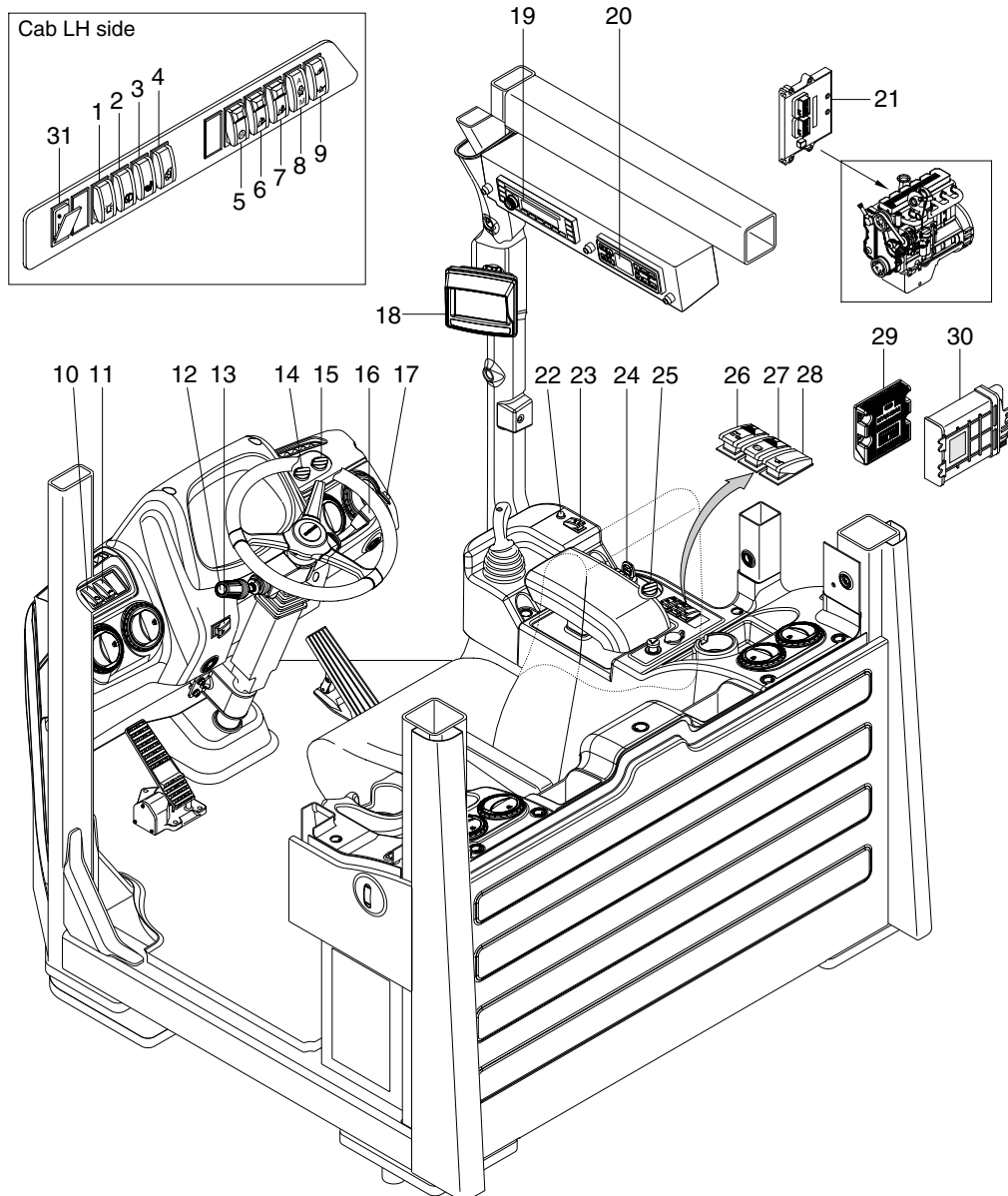
---

Group 1 Component Location .....	7-1
Group 2 Electrical Circuit .....	7-3
Group 3 Monitoring System .....	7-21
Group 4 Electrical Component Specification .....	7-51
Group 5 Connectors .....	7-58
Group 6 Troubleshooting .....	7-78

# SECTION 7 ELECTRICAL SYSTEM

## GROUP 1 COMPONENT LOCATION

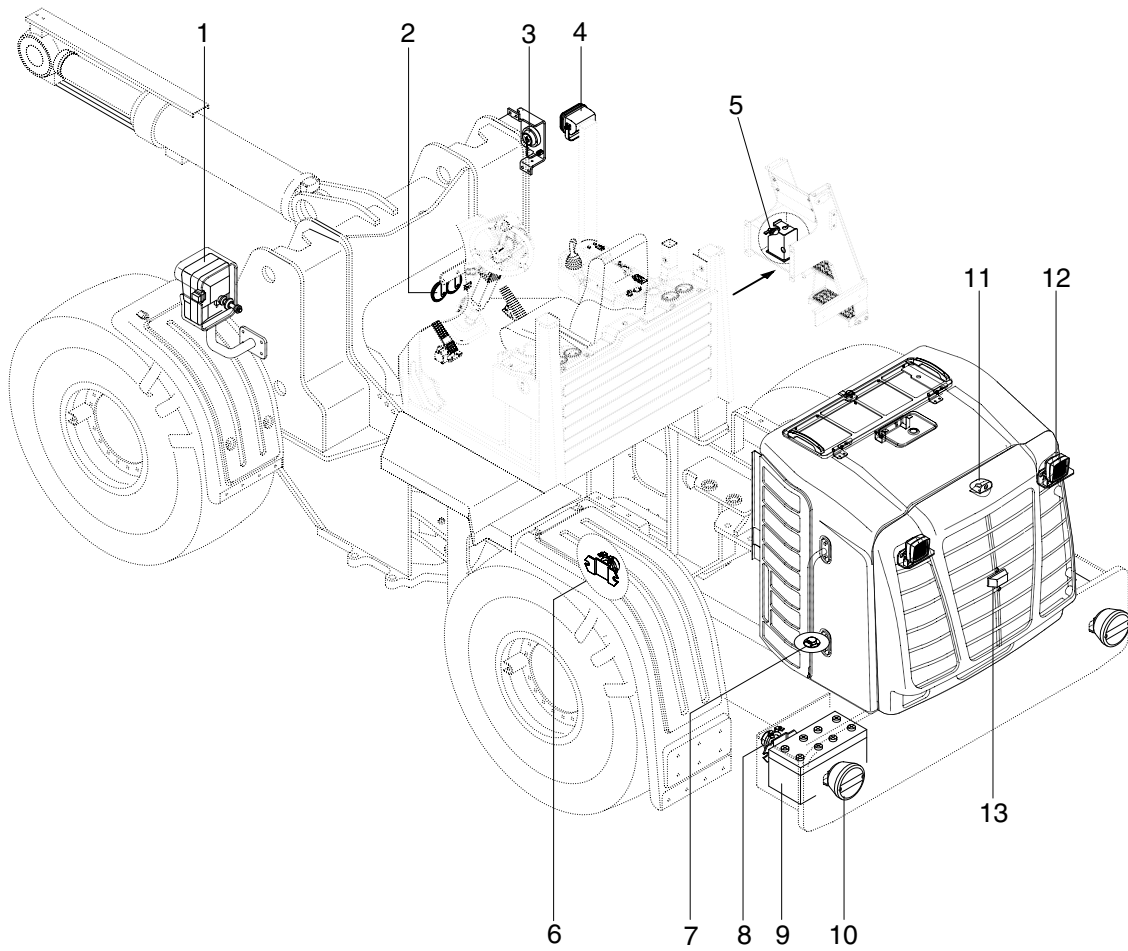
### 1. LOCATION 1



77097EL02

- |  |                               |                               |
|--|-------------------------------|-------------------------------|
| 1 Beacon switch (opt)                      | 11 Work lamp switch           | 22 Workload button            |
| 2 Rear wiper / washer switch               | 12 Kick down switch           | 23 Detent enable switch       |
| 3 Heated seat switch                       | 13 Hazard switch              | 24 Starting switch            |
| 4 Mirror defrost switch                    | 14 T/M shift mode switch      | 25 Engine mode switch         |
| 5 Emergency test switch (opt)              | 15 Clutch cut off mode switch | 26 Pilot cut off switch       |
| 6 Attachment unlock switch (opt)           | 16 Multi function switch      | 27 Parking brake switch       |
| 7 Attachment lock switch (opt)             | 17 Horn switch                | 28 Ride control switch (opt)  |
| 8 Fan control switch                       | 18 Monitor                    | 29 Machine control unit (MCU) |
| 9 Boom kickout & bucket leveler set switch | 19 Radio & USB/MP3 player     | 30 T/M control unit (TCU)     |
| 10 Main light switch                       | 20 Aircon & heater switch     | 31 USB socket                 |
|  | 21 Engine control unit (ECU)  |                               |

## 2. LOCATION 2



77097EL02-1

- |   |               |    |                 |    |                   |
|---|---------------|----|-----------------|----|-------------------|
| 1 | Head lamp     | 6  | Start relay     | 11 | Camera (opt)      |
| 2 | Horn          | 7  | Fuel sender     | 12 | Work lamp         |
| 3 | Angle sensor  | 8  | Battery relay   | 13 | Number plate lamp |
| 4 | Work lamp     | 9  | Battery         |    |                   |
| 5 | Master switch | 10 | Rear combi lamp |    |                   |