

GROUP 5 CONNECTORS

1. CONNECTOR DESTINATION

Connector number	Type	No. of pin	Destination	Connector part No.	
				Female	Male
CN-1	58	2	I/conn(Frame harness-Main harness)	S813-030200	S813-130200
CN-2	Econoseal J	12	I/conn(Main harness-Frame harness)	S816-012002	S816-112002
CN-3	AMP	15	I/conn(Frame harness-Main harness)	2-85262-1	368301-1
CN-4	AMP	15	I/conn(Main harness-Frame harness)	2-85262-1	368301-1
CN-5	AMP	15	I/conn(Frame harness-Main harness)	2-85262-1	368301-1
CN-6	AMP	15	I/conn(Main harness-Frame harness)	2-85262-1	368301-1
CN-7	AMP	15	I/conn(Main harness-Cab harness)	2-85262-1	368301-1
CN-8	Econoseal J	8	I/conn(Main harness-Cab harness)	S816-008002	S816-108002
CN-9	Econoseal J	12	I/conn(Main harness-Front harness)	S816-012002	S816-112002
CN-10	AMP	15	I/conn(Main harness-Front harness)	2-85262-1	368301-1
CN-11	DEUTSCH	8	I/conn(Main harness-Aircon harness)	DT06-8S	-
CN-12	AMP	15	I/conn(Frame harness-Engine harness)	2-85262-1	368301-1
CN-13	Econoseal J	15	I/conn(Frame harness-Engine harness)	S816-012002	S816-112002
CN-18	Econoseal J	4	I/conn(Front harness-Ride control harness)	S816-004002	S816-104002
CN-20	Molex	2	Horn	36825-0212	-
CN-21	HW090 sealed	6	Front wiper motor	6189-0133	-
CN-22	SWP	2	Front washer tank	S814-002000	-
CN-23	KET	2	Speaker(LH)	7123-1520	-
CN-24	KET	2	Speaker(RH)	7123-1520	-
CN-25	Molex	2	Horn	36825-0212	-
CN-26	250	2	Warning buzzer	S810-002202	-
CN-27	PA	9	Cassette and radio	S811-009003	-
CN-28	MWP	1	Comp(Air-con)	NMWP01F-B	-
CN-29	KET	2	Receiver drier	MG640795	-
CN-45	Ring term	-	Starter	S820-414000	-
CN-56	AMP	20	Cluster	174047-2	-
CN-58	Econoseal III	36	Controller	344111-1	-
CN-59	AMP	23	Controller	770680-1	-
CN-65	DEUTSCH	2	Back up buzzer	DT06-2S-EP06	-
CN-71	DEUTSCH	2	Parking solenoid	DT06-2S-EP06	-
CN-74	PACKARD	4	Alternator	1218-6568	-
CN-83	NMWP	2	Aircon fan	PB625-02027	-
CN-93	DEUTSCH	50	ECM	DRC26-50S-01	-
CN-94	DEUTSCH	4	ECM	DTP06-4S-E003	-

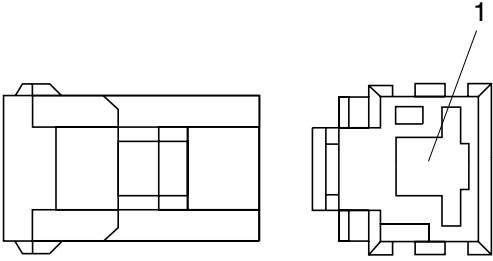
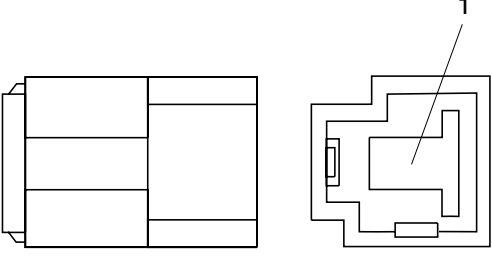
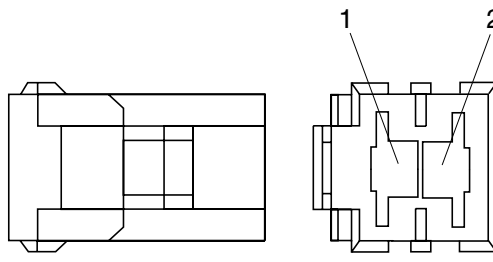
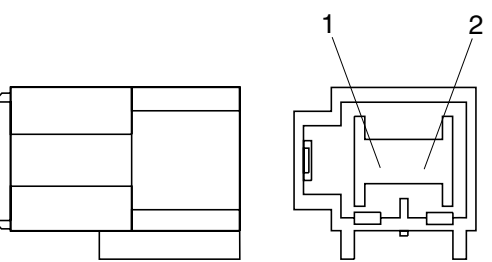
Connector number	Type	No. of pin	Destination	Connector part No.	
				Female	Male
CN-96	PACKARD	2	Fuel heater	1530-0027	-
CN-99	DEUTSCH	2	Resister	DT04-3P-EP10	-
CN-100	Autonics	-	Boom kick out	21L6-20020	-
CN-101	Autonics	-	Bucket leveler	21L6-20020	-
CN-102	HW090 sealed	6	Rear wiper motor	6189-01330	-
CN-103	SWP	2	Rear washer tank	S814-002000	-
CN-112	-	16	Gear box	21L7-60290	-
CN-114	Econoseal J	12	Joy stick	-	S816-112002
CN-136	DEUTSCH	2	Ride control solenoid	DT06-2S-EP06	-
CN-137	DEUTSCH	2	Control valve solenoid	DT06-2S-EP06	-
CN-138	DEUTSCH	3	DC/DC Converter	DT06-3S-EP06	-
CN-139	DEUTSCH	2	12V socket	-	DT04-2P
CN-154	AMP	2	Fan clutch	85202-1	-
CN-157	AMP	68	T/M control unit	962175	-
CN-158	PACKARD	4	Gear shift lever	-	1201-0974
CN-159	PACKARD	4	Gear shift lever	1201-5797	-
CN-162	Econoseal J	6	Pedal	S816-006002	-
Relay					
CR-1	Ring term	-	Battery relay	S820-104000	-
CR-2	250	4	Horn relay	S810-004202	-
CR-3	250	4	Front work lamp relay	S810-004202	-
CR-4	250	6	Wiper relay(Hi)	S810-006202	-
CR-5	250	2	Safety relay	S810-006202	-
CR-7	250	4	Aircon relay	S810-004202	-
CR-11	250	3	Flasher unit	S810-003702	-
CR-23	SWP	2	Start relay	-	S814-102001
CR-24	Shur	1	Preheater relay	S822-014000	-
CR-36	250	4	Preheater relay	S810-004202	-
CR-46	250	4	Fuel warmer relay	S810-004202	-
CR-55	250	4	Rear work lamp relay	S810-004202	-
CR-58	250	1	Back up relay	S810-004202	-
Switch					
CS-1	Shur	1	Door switch	S822-014004	-
CS-2	SWP	6	Start key switch	S814-006000	-
CS-5	Shur	1	Horn switch	S822-014000	-
CS-11	SWP	8	Multi function switch	S814-008000	-
CS-12	SWP	6	Multi function switch	S814-006000	-

Connector number	Type	No. of pin	Destination	Connector part No.	
				Female	Male
CS-17	SWF	10	Parking switch	593757	-
CS-21	SWF	10	Main light switch	593757	-
CS-23	SWF	10	Beacon switch	593757	-
CS-35	SWF	10	Rear wiper	593757	-
CS-36	SWF	10	Work lamp switch	593757	-
CS-41	SWF	10	Hazard switch	593757	-
CS-42	SWF	10	Clutch cut off switch	593757	-
CS-55	SWF	10	Ride control switch	593757	-
CS-59	SWF	10	Auto/manual switch	593757	-
CS-74	Ring term	1	Master switch	S820-210002	-
CS-75	SWF	10	Steering pump switch	593757	-
CS-76	SWF	10	Mirror heater	593757	-
CS-82	SWF	10	Seat heater	593757	-
Light					
CL-2	250	3	Cigar lighter	S810-003202	-
CL-3	DEUTSCH	4	Head light	DT04-4P-E005	-
CL-4	DEUTSCH	4	Head light	DT04-4P-E005	-
CL-5	DEUTSCH	2	Work light(LH)	-	DT04-2P-E005
CL-6	DEUTSCH	2	Work light(RH)	-	DT04-2P-E005
CL-7	AMP	2	Beacon lamp	S822-014004	S822-114004
CL-15	SWP	4	Combi lamp(RR, LH)	S814-004000	-
CL-16	SWP	4	Combi lamp(RR, RH)	S814-004000	-
CL-21	SWP	2	Numberplate lamp	S814-002000	-
CL-22	DEUTSCH	2	Work light(LH)	-	DT04-2P-E005
CL-23	DEUTSCH	2	Work light(RH)	-	DT04-2P-E005
CL-24	SWP	2	Turn lamp(LH)	S814-002000	-
CL-25	SWP	2	Turn lamp(RH)	S814-002000	-
CL-30	KET	2	Room lamp	MG610392	-
CL-32	DEUTSCH	2	Rear work light(RH)	-	DT04-2P-E005
CL-33	DEUTSCH	2	Rear work light(LH)	-	DT04-2P-E005
Sensor, sender					
CD-1	AMP	2	Hydraulic oil temp sensor	85202-1	-
CD-2	SWP	2	Fuel sender	S814-002000	-
CD-3	Rubber cap	-	Brake fail pressure switch	21EA-003100	-
CD-4	Rubber cap	-	Stop lamp pressure switch	21EA-003100	-
CD-5	Rubber cap	-	Clutch cut off pressure switch	21EA-003100	-
CD-10	Ring term	2	Air cleaner switch	S820-105000	-

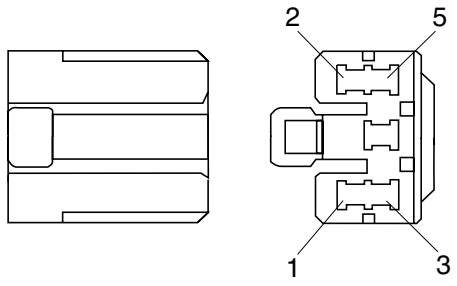
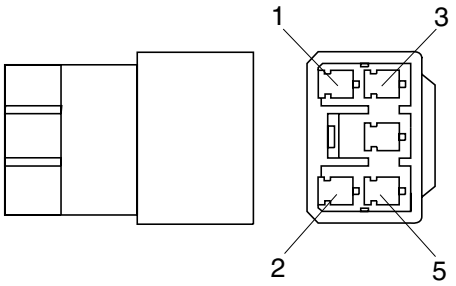
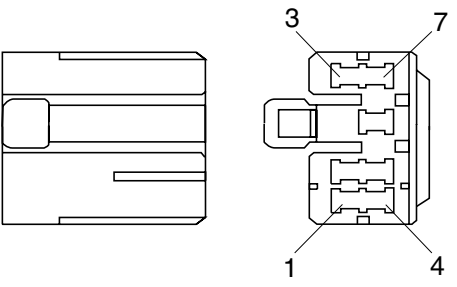
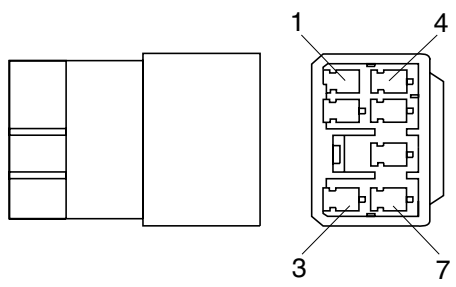
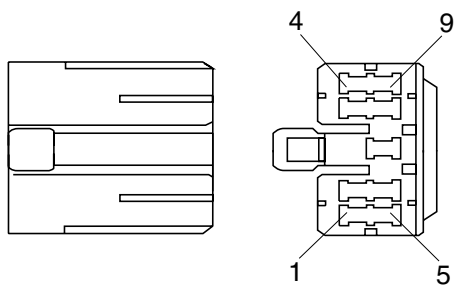
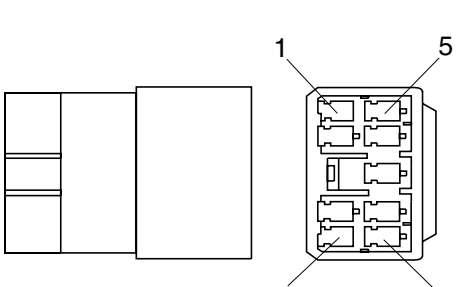
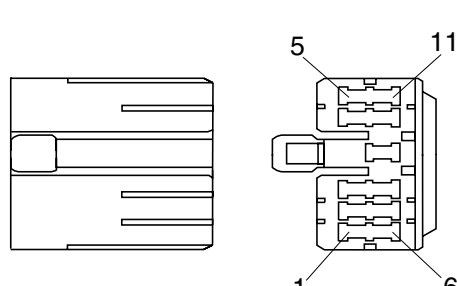
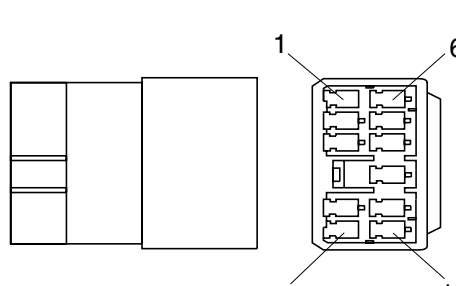
Connector number	Type	No. of pin	Destination	Connector part No.	
				Female	Male
CD-17	AMP	2	Engine pick-up sensor	85202-1	-
CD-26	Rubber cap	-	Parking pressure switch	21EA-003100	-
CD-27	AMP	2	Turbin pick up sensor	85202-1	-
CD-35	PACKARD	2	Fuel filter	1204-0753	-
CD-39	Rubber cap	2	Main pump pressure switch	21EA-00310	-
CD-40	Rubber cap	2	Steering pump pressure switch	21EA-00310	-
CD-41	Rubber cap	2	Boom down pressure switch	21EA-00310	-
CD-46	AMP	3	Output speed sensor	282087	-
CD-47	AMP	2	Gear chain sensor	85202-1	-
CD-48	AMP	2	Oil filter	282080	-
CD-49	AMP	2	Converter sensor	85202-1	-

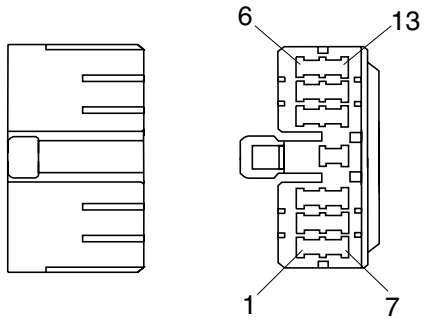
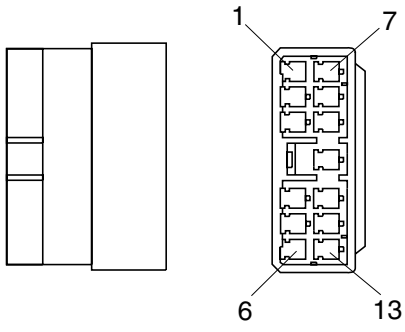
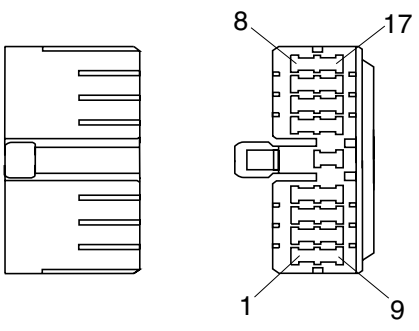
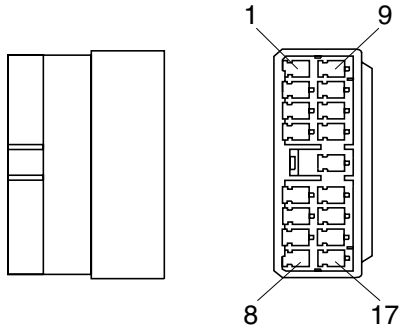
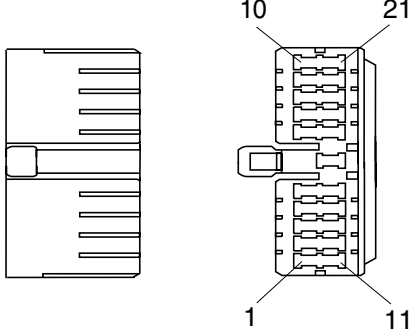
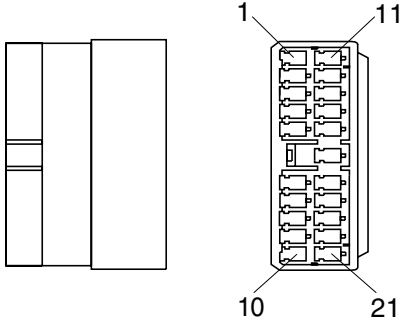
2. CONNECTION TABLE FOR CONNECTORS

1) 58-L TYPE CONNECTOR

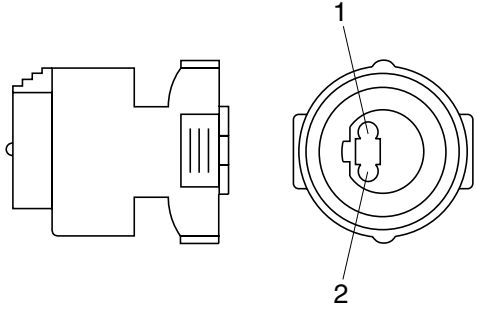
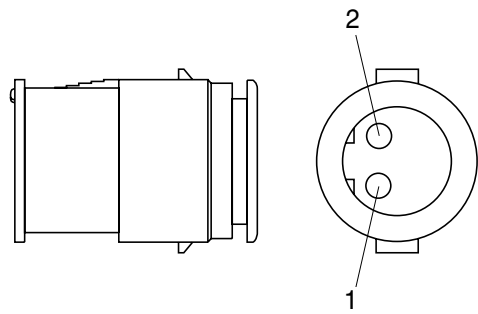
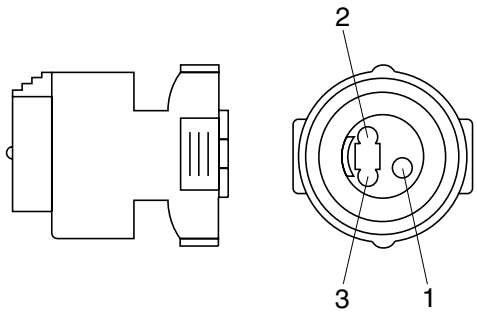
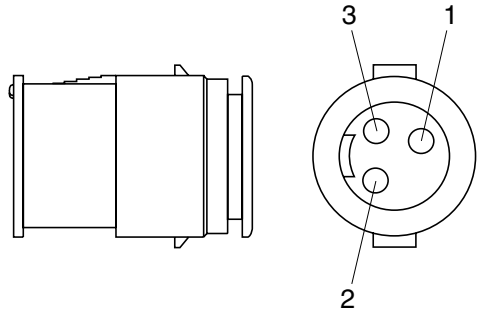
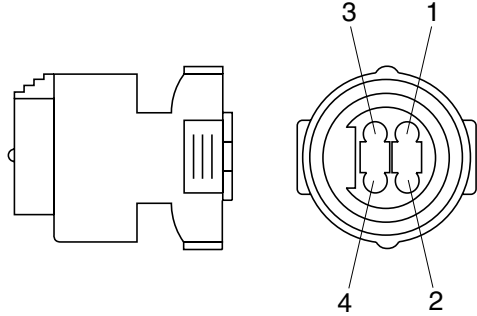
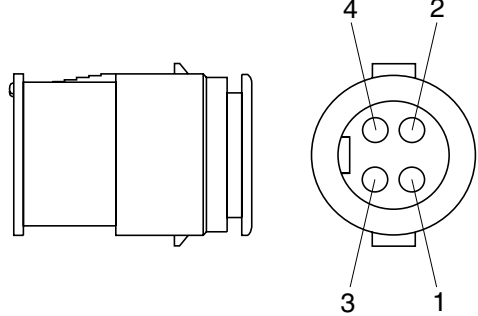
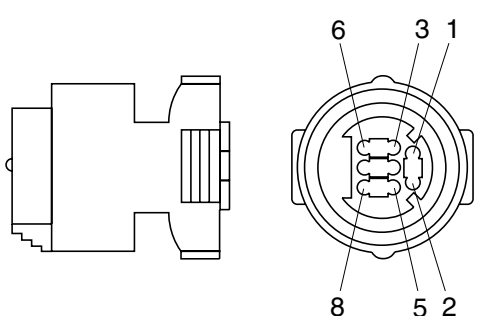
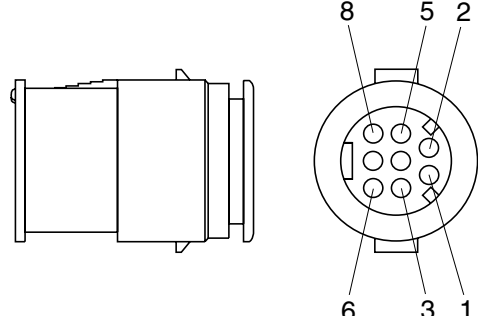
No. of pin	Receptacle connector(Female)	Plug connector(Male)
1	 <p data-bbox="683 725 836 757">S813-030100</p>	 <p data-bbox="1257 725 1410 757">S813-130100</p>
2	 <p data-bbox="683 1128 836 1160">S813-030200</p>	 <p data-bbox="1257 1128 1410 1160">S813-130200</p>

2) PA TYPE CONNECTOR

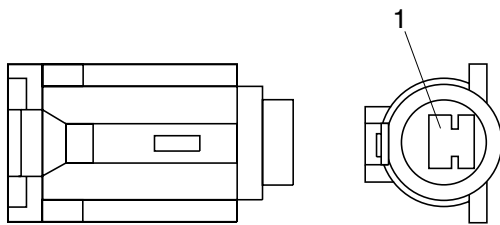
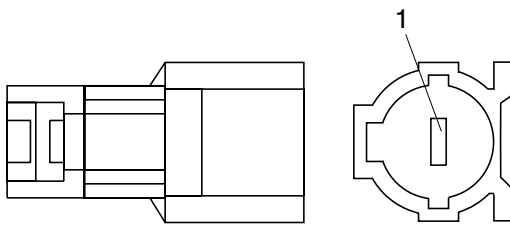
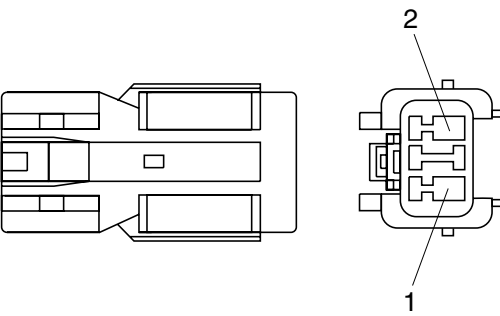
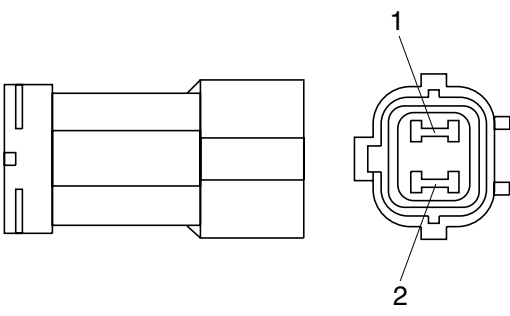
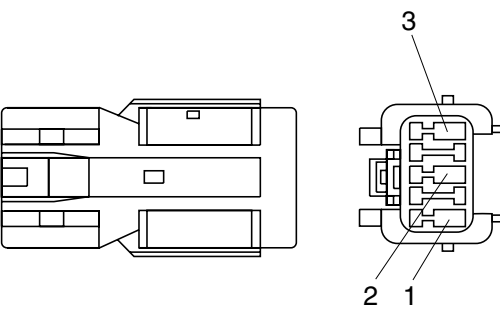
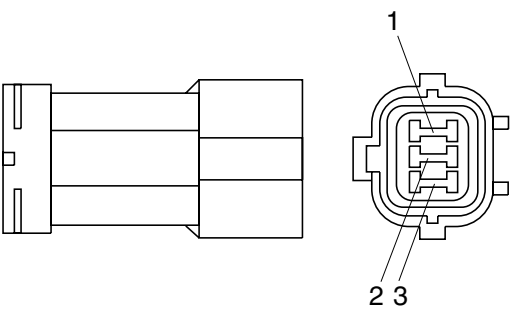
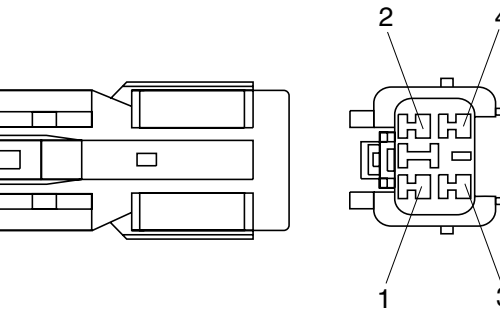
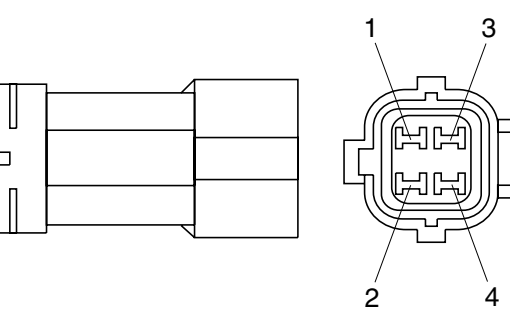
No. of pin	Receptacle connector(Female)	Plug connector(Male)
5	 <p data-bbox="686 667 837 698">S811-005002</p>	 <p data-bbox="1260 667 1412 698">S811-105002</p>
7	 <p data-bbox="686 1077 837 1108">S811-007002</p>	 <p data-bbox="1260 1077 1412 1108">S811-107002</p>
9	 <p data-bbox="686 1482 837 1514">S811-009002</p>	 <p data-bbox="1260 1482 1412 1514">S811-109002</p>
11	 <p data-bbox="686 1888 837 1919">S811-011002</p>	 <p data-bbox="1260 1888 1412 1919">S811-111002</p>

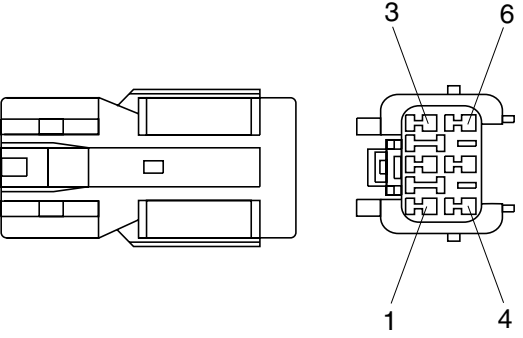
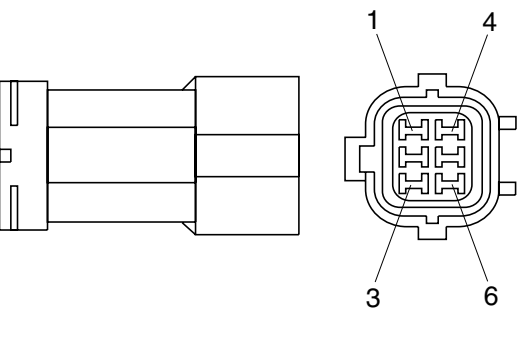
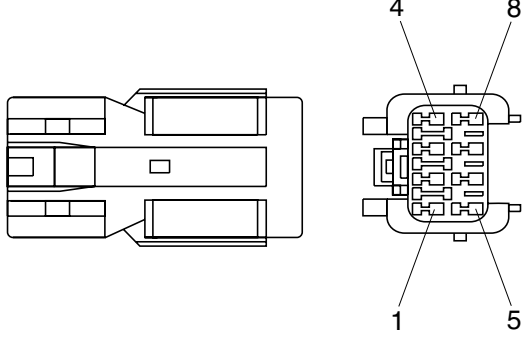
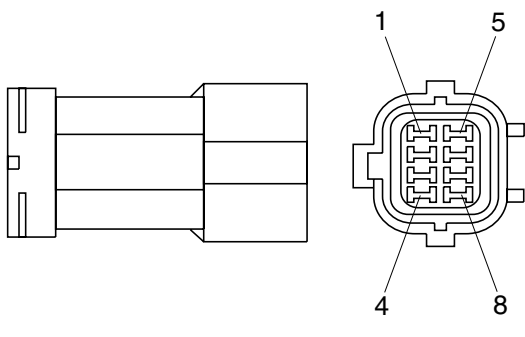
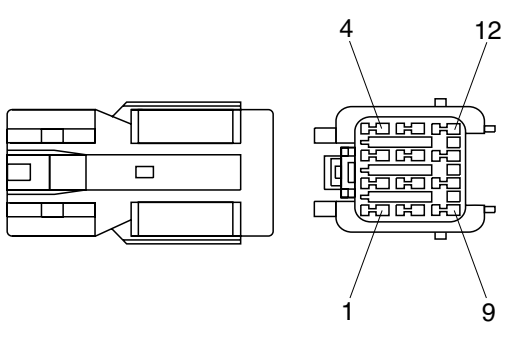
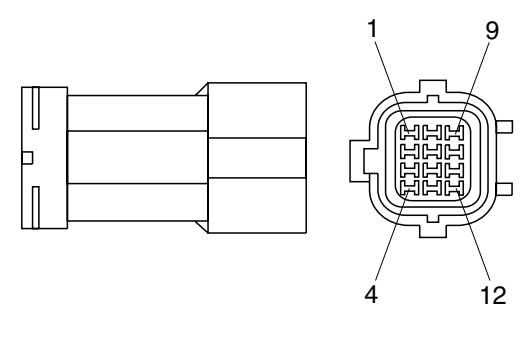
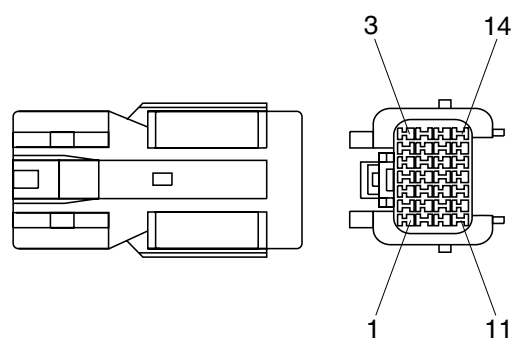
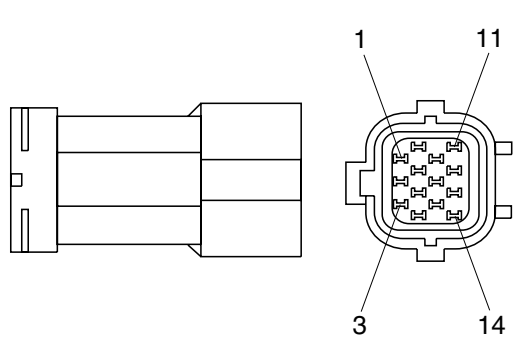
No. of pin	Receptacle connector(Female)	Plug connector(Male)
13	 <p style="text-align: center;">S811-013002</p>	 <p style="text-align: center;">S811-113002</p>
17	 <p style="text-align: center;">S811-017002</p>	 <p style="text-align: center;">S811-117002</p>
21	 <p style="text-align: center;">S811-021002</p>	 <p style="text-align: center;">S811-121002</p>

3) J TYPE CONNECTOR

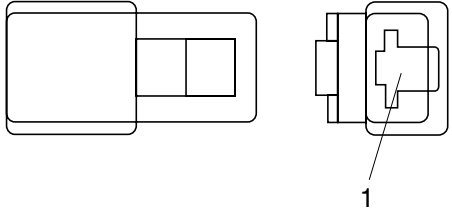
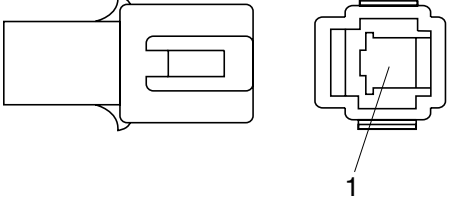
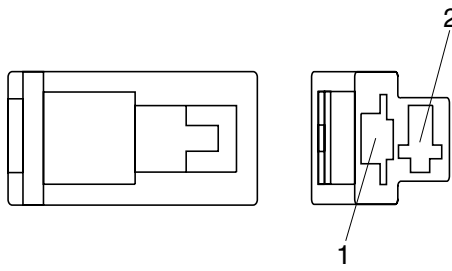
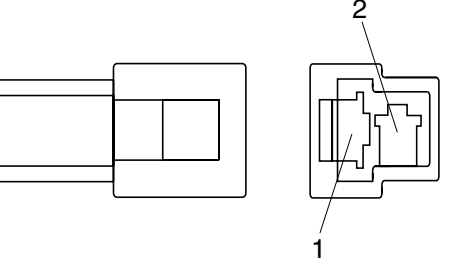
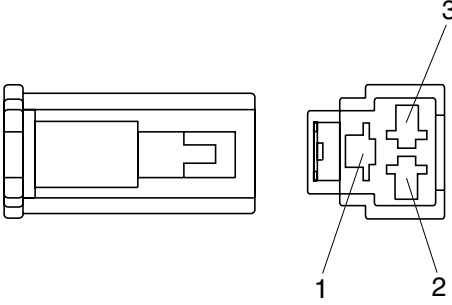
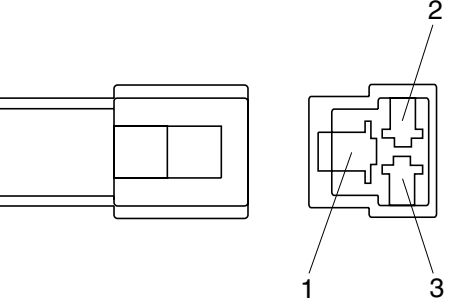
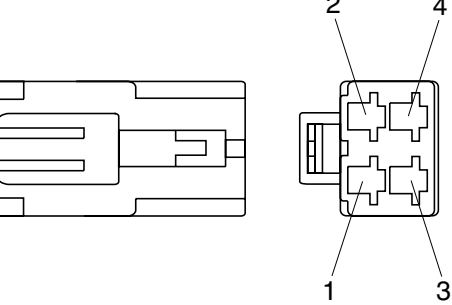
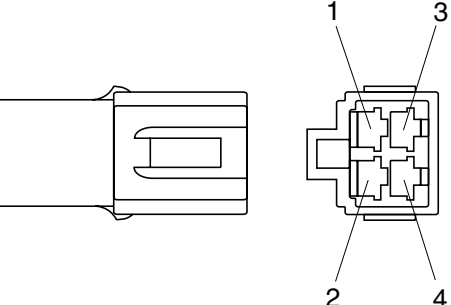
No. of pin	Receptacle connector(Female)	Plug connector(Male)
2	 <p style="text-align: center;">S816-002001</p>	 <p style="text-align: center;">S816-102001</p>
3	 <p style="text-align: center;">S816-003001</p>	 <p style="text-align: center;">S816-103001</p>
4	 <p style="text-align: center;">S816-004001</p>	 <p style="text-align: center;">S816-104001</p>
8	 <p style="text-align: center;">S816-008001</p>	 <p style="text-align: center;">S816-108001</p>

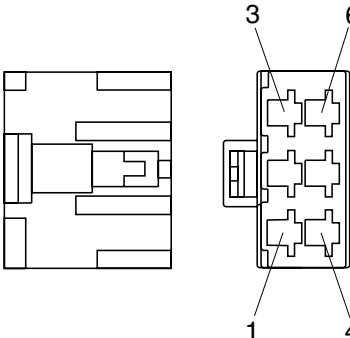
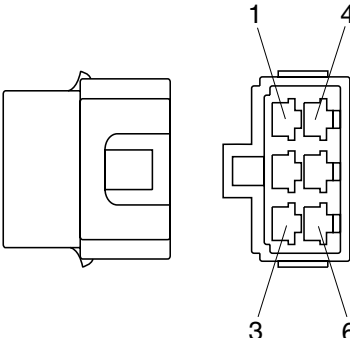
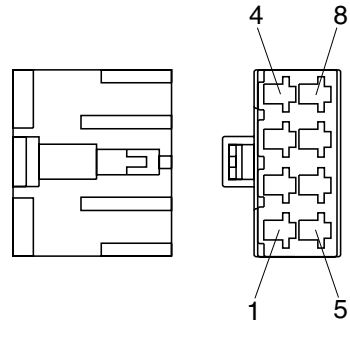
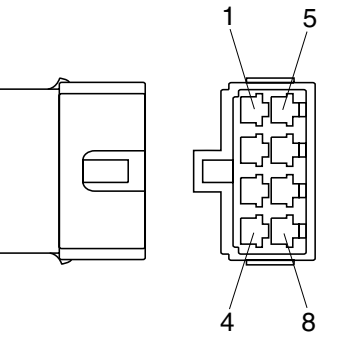
4) SWP TYPE CONNECTOR

No. of pin	Receptacle connector(Female)	Plug connector(Male)
1	 <p data-bbox="686 672 837 705">S814-001000</p>	 <p data-bbox="1236 672 1388 705">S814-101000</p>
2	 <p data-bbox="686 1075 837 1108">S814-002000</p>	 <p data-bbox="1236 1075 1388 1108">S814-102000</p>
3	 <p data-bbox="686 1478 837 1512">S814-003000</p>	 <p data-bbox="1236 1478 1388 1512">S814-103000</p>
4	 <p data-bbox="686 1881 837 1915">S814-004000</p>	 <p data-bbox="1236 1881 1388 1915">S814-104000</p>

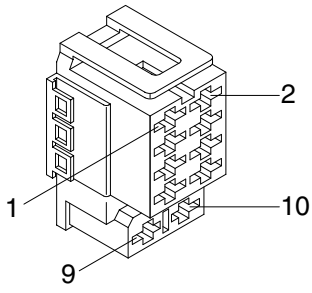
No. of pin	Receptacle connector(Female)	Plug connector(Male)
6	 <p data-bbox="686 627 837 660">S814-006000</p>	 <p data-bbox="1260 627 1412 660">S814-106000</p>
8	 <p data-bbox="686 1030 837 1064">S814-008000</p>	 <p data-bbox="1260 1030 1412 1064">S814-108000</p>
12	 <p data-bbox="686 1433 837 1467">S814-012000</p>	 <p data-bbox="1260 1433 1412 1467">S814-112000</p>
14	 <p data-bbox="686 1836 837 1870">S814-014000</p>	 <p data-bbox="1260 1836 1412 1870">S814-114000</p>

5) CN TYPE CONNECTOR

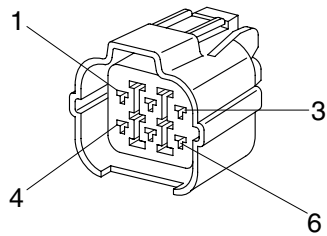
No. of pin	Receptacle connector(Female)	Plug connector(Male)
1	 <p data-bbox="687 674 839 703">S810-001202</p>	 <p data-bbox="1262 674 1414 703">S810-101202</p>
2	 <p data-bbox="687 1077 839 1106">S810-002202</p>	 <p data-bbox="1262 1077 1414 1106">S810-102202</p>
3	 <p data-bbox="687 1491 839 1520">S810-003202</p>	 <p data-bbox="1262 1491 1414 1520">S810-103202</p>
4	 <p data-bbox="687 1895 839 1924">S810-004202</p>	 <p data-bbox="1262 1895 1414 1924">S810-104202</p>

No. of pin	Receptacle connector(Female)	Plug connector(Male)
6	 <p data-bbox="686 627 837 660">S810-006202</p>	 <p data-bbox="1244 627 1396 660">S810-106202</p>
8	 <p data-bbox="686 1041 837 1075">S810-008202</p>	 <p data-bbox="1244 1041 1396 1075">S810-108202</p>

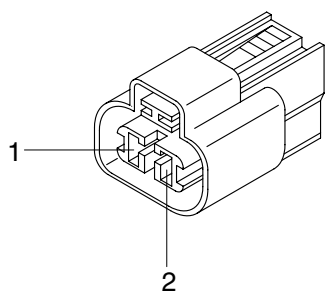
6) ITT SWF CONNECTOR

No. of pin	Receptacle connector(Female)	Plug connector(Male)
10	 <p style="text-align: right;">SWF593757</p>	

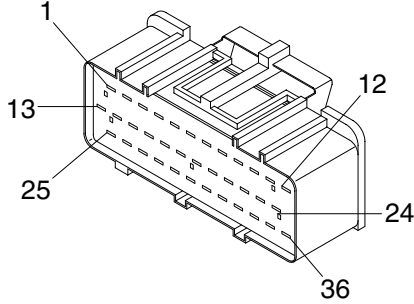
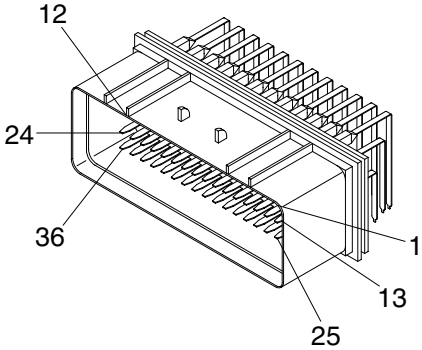
7) HW090 SEALED CONNECTOR

No. of pin	Receptacle connector(Female)	Plug connector(Male)
6	 <p style="text-align: right;">6189-0133</p>	

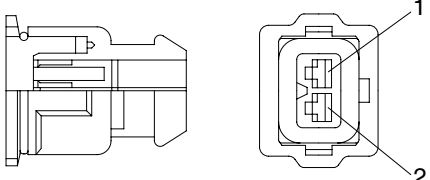
8) MWP02F-B CONNECTOR

No. of pin	Receptacle connector(Female)	Plug connector(Male)
2	 <p style="text-align: right;">PH805-02028</p>	

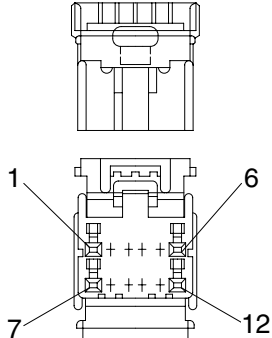
9) AMP ECONOSEAL CONNECTOR

No. of pin	Receptacle connector(Female)	Plug connector(Male)
36	 <p style="text-align: right;">344111-1</p>	 <p style="text-align: right;">344108-1</p>

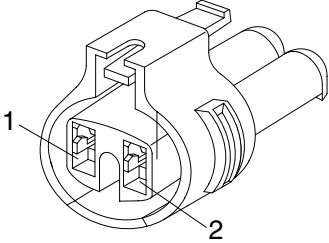
10) AMP TIMER CONNECTOR

No. of pin	Receptacle connector(Female)	Plug connector(Male)
2	 <p style="text-align: right;">85202-1</p>	

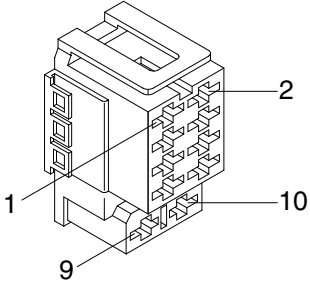
11) AMP 040 MULTILOCK CONNECTOR

No. of pin	Receptacle connector(Female)	Plug connector(Male)
12	 <p style="text-align: right;">174045-2</p>	

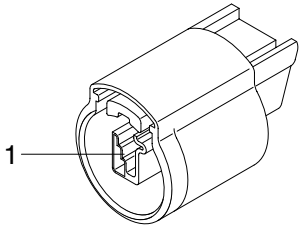
12) KET 090 WP CONNECTORS

No. of pin	Receptacle connector(Female)	Plug connector(Male)
2	 <p style="text-align: right;">MG640795</p>	

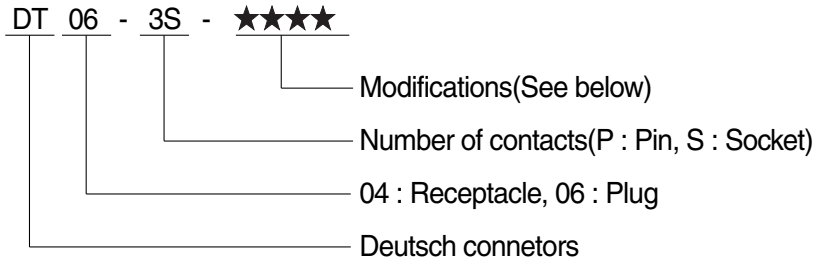
13) ITT SWF CONNECTOR

No. of pin	Receptacle connector(Female)	Plug connector(Male)
10	 <p style="text-align: right;">SWF593757</p>	

14) MWP NMWP CONNECTOR

No. of pin	Receptacle connector(Female)	Plug connector(Male)
1	 <p style="text-align: right;">NMWP01F-B</p>	

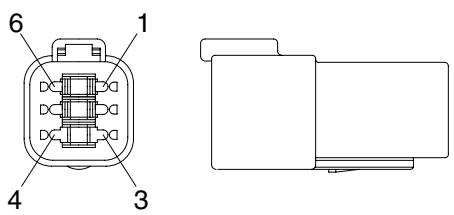
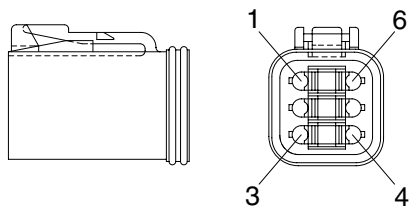
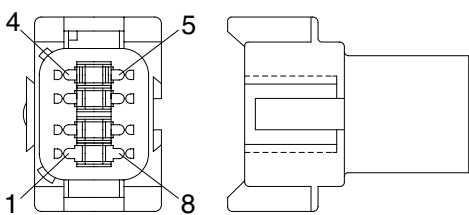
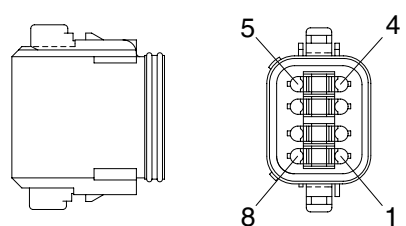
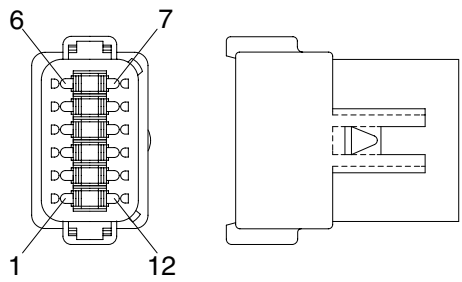
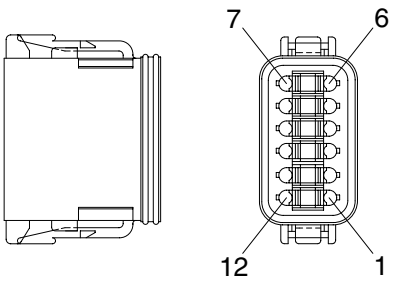
15) DEUTSCH DT CONNECTORS



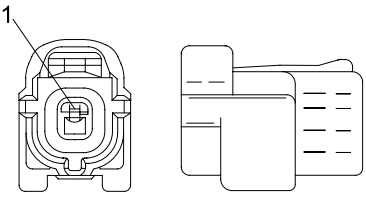
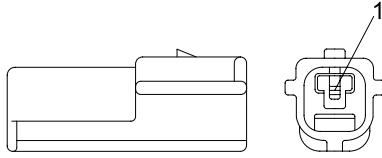
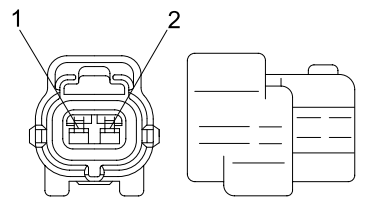
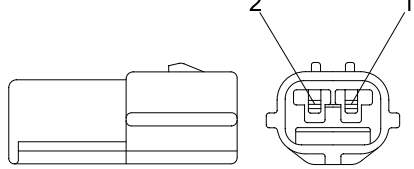
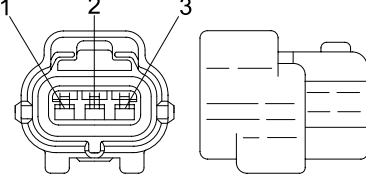
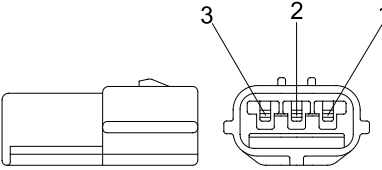
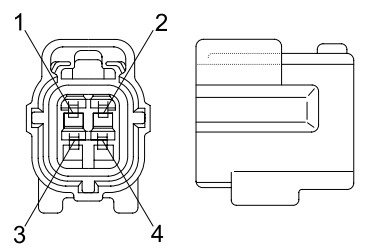
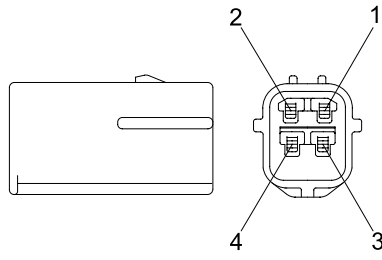
※ Modification

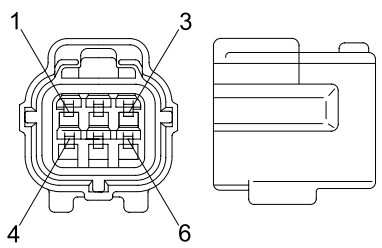
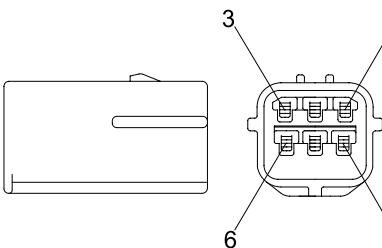
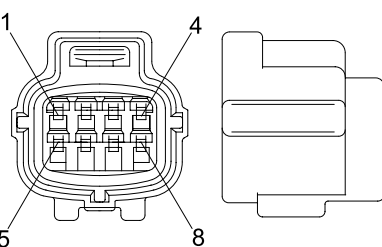
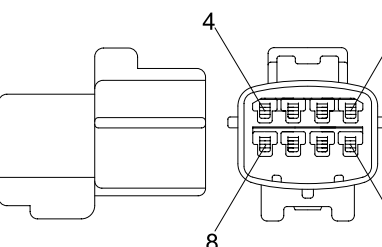
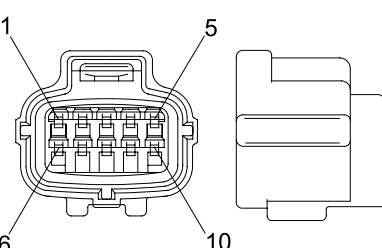
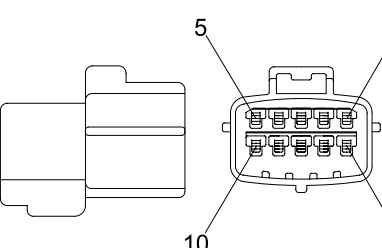
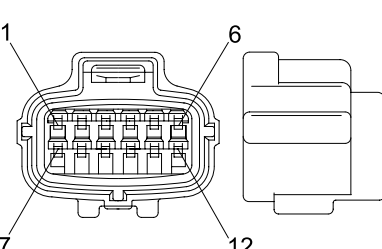
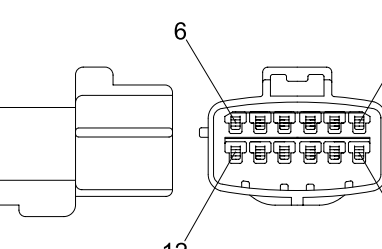
- E003 : Standard end cap - gray
- E004 : Color of connector to be black
- E005 : Combination - E004 & E003
- EP04 : End cap
- EP06 : Combination P012 & EP04
- P012 : Front seal enhancement - connectors color to black for 2, 3, 4 & 6pin

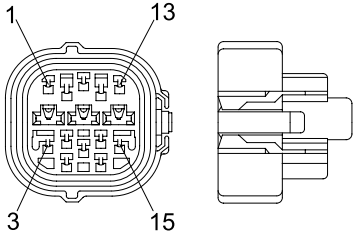
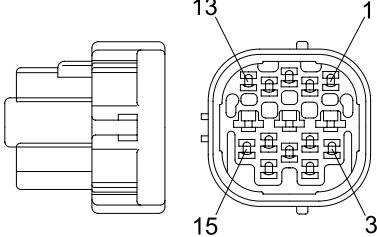
No. of pin	Receptacle connector(Female)	Plug connector(Male)
2	<p>DT06-2S</p>	<p>DT04-2P</p>
3	<p>DT06-3S</p>	<p>DT04-3P</p>
4	<p>DT06-4S</p>	<p>DT04-4P</p>

No. of pin	Receptacle connector(Female)	Plug connector(Male)
6	 <p style="text-align: right;">DT06-6S</p>	 <p style="text-align: right;">DT04-6P</p>
8	 <p style="text-align: right;">DT06-8S</p>	 <p style="text-align: right;">DT04-8P</p>
12	 <p style="text-align: right;">DT06-12S</p>	 <p style="text-align: right;">DT04-12P</p>

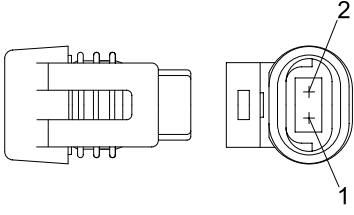
16) ECONOSEAL J TYPE CONNECTORS

No. of pin	Receptacle connector(Female)	Plug connector(Male)
1	 <p style="text-align: right;">S816-001002</p>	 <p style="text-align: right;">S816-101002</p>
2	 <p style="text-align: right;">S816-002002</p>	 <p style="text-align: right;">S816-102002</p>
3	 <p style="text-align: right;">S816-003002</p>	 <p style="text-align: right;">S816-103002</p>
4	 <p style="text-align: right;">S816-004002</p>	 <p style="text-align: right;">S816-104002</p>

No. of pin	Receptacle connector(Female)	Plug connector(Male)
6	 <p data-bbox="686 627 829 660">S816-006002</p>	 <p data-bbox="1244 627 1388 660">S816-106002</p>
8	 <p data-bbox="686 1030 829 1064">S816-008002</p>	 <p data-bbox="1244 1030 1388 1064">S816-108002</p>
10	 <p data-bbox="686 1433 829 1467">S816-010002</p>	 <p data-bbox="1244 1433 1388 1467">S816-110002</p>
12	 <p data-bbox="686 1836 829 1870">S816-012002</p>	 <p data-bbox="1244 1836 1388 1870">S816-112002</p>

No. of pin	Receptacle connector(Female)	Plug connector(Male)
15	 <p data-bbox="730 631 836 658">368301-1</p>	 <p data-bbox="1278 631 1383 658">2-85262-1</p>

17) METRI-PACK TYPE CONNECTOR

No. of pin	Receptacle connector(Female)	Plug connector(Male)
2	 <p data-bbox="730 1234 836 1261">12040753</p>	