

## SECTION 7 ELECTRICAL SYSTEM

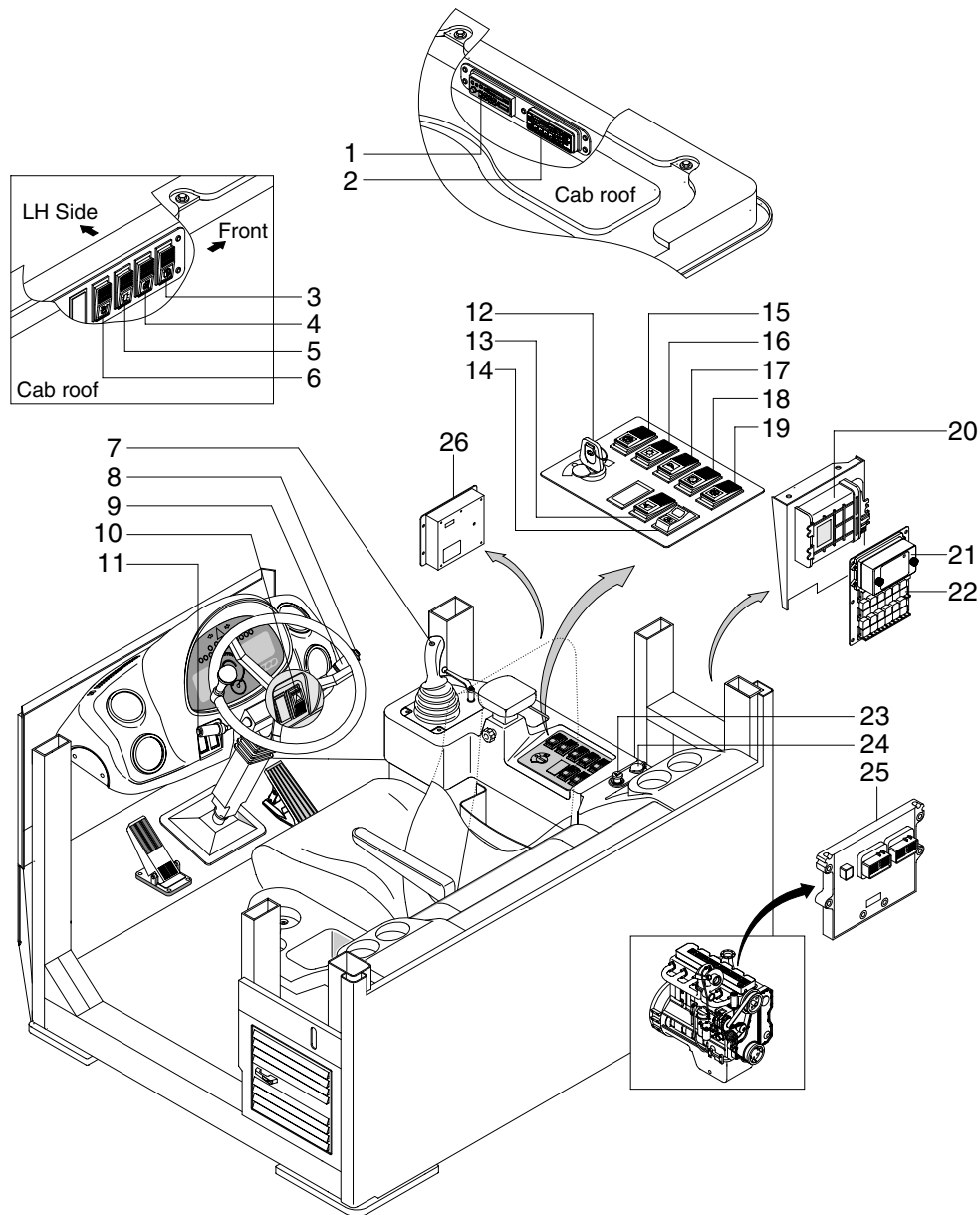
---

Group 1 Component Location .....	7-1
Group 2 Electrical Circuit .....	7-3
Group 3 Monitoring System .....	7-21
Group 4 Electrical Component Specification .....	7-38
Group 5 Connectors .....	7-45
Group 6 Troubleshooting .....	7-65

# SECTION 7 ELECTRICAL SYSTEM

## GROUP 1 COMPONENT LOCATION

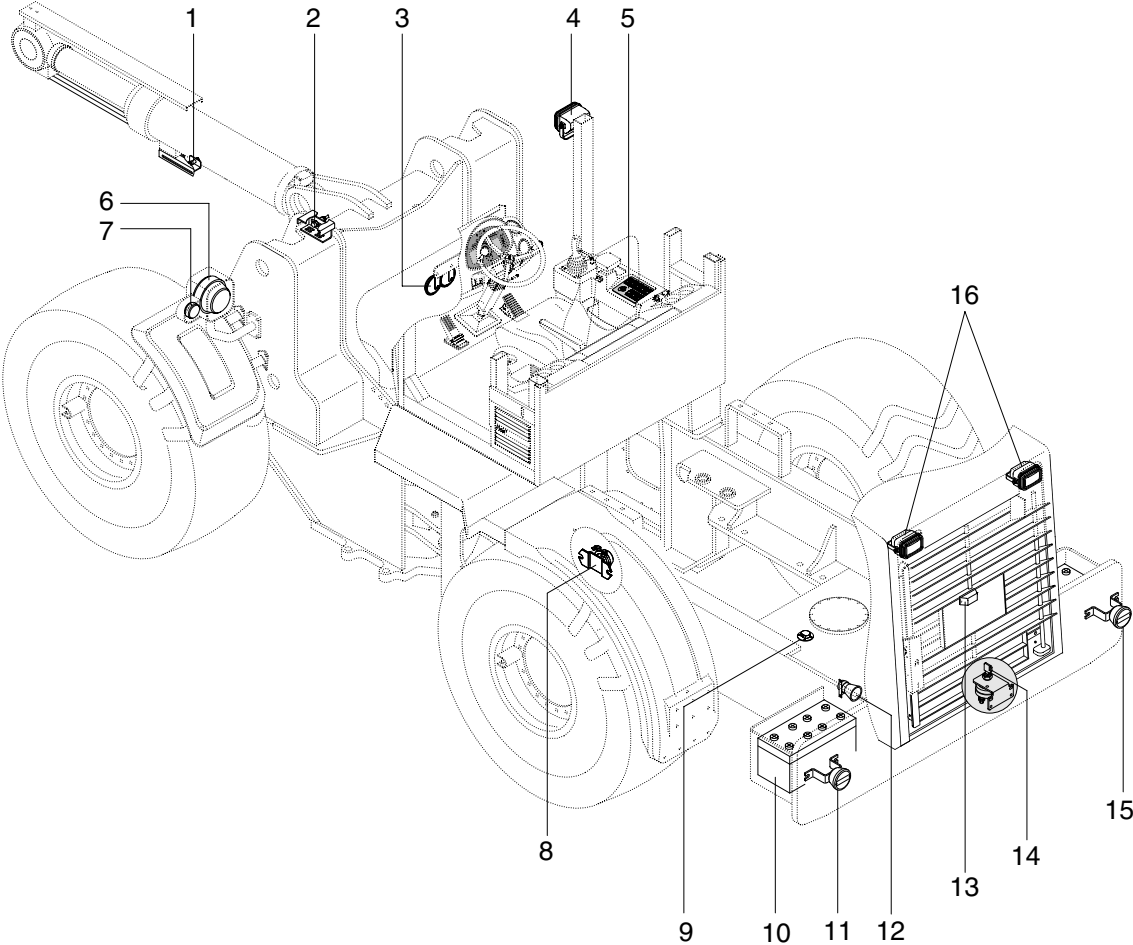
### 1. LOCATION 1



7707AEL02

- |   |   |    |                               |    |                                |
|---|---|----|-------------------------------|----|--------------------------------|
| 1 | Radio & cassette(STD)<br>Radio & CD player(OPT) | 9  | Multi function switch         | 18 | Auto select switch             |
| 2 | Aircon & heater switch                          | 10 | Hazard switch                 | 19 | Clutch cut off switch          |
| 3 | Rear wiper/washer switch                        | 11 | Kick down switch              | 20 | Transmission control unit(TCU) |
| 4 | Mirror defrost switch(Optional)                 | 12 | Starting switch               | 21 | Fuse box                       |
| 5 | Beacon switch(Optional)                         | 13 | Ride control switch(Optional) | 22 | Relay board                    |
| 6 | Heated seat switch(Optional)                    | 14 | Pump motor switch(Optional)   | 23 | Cigar lighter                  |
| 7 | Kick down switch                                | 15 | Parking brake switch          | 24 | 12V socket                     |
| 8 | Horn button                                     | 16 | Main light switch             | 25 | Engine control module(ECM)     |
|   |   | 17 | Work lamp switch              | 26 | Machine control unit(MCU)      |

2. LOCATION 2



7707AEL02-1

- |                    |                    |                      |
|--------------------|--------------------|----------------------|
| 1 Proximity switch | 7 Front turn lamp  | 12 Back up buzzer    |
| 2 Proximity switch | 8 Start relay      | 13 Number plate lamp |
| 3 Horn             | 9 Fuel sender      | 14 Master switch     |
| 4 Work lamp        | 10 Battery         | 15 Rear combi lamp   |
| 5 Switch panel     | 11 Rear combi lamp | 16 Work lamp         |
| 6 Head lamp        |                    |                      |