

GROUP 5 CONNECTORS

1. CONNECTOR DESTINATION

Connector number	Type	No. of pin	Destination	Connector part No.	
				Female	Male
CN-1	58	2	l/conn(Frame harness-Main harness)	S813-030200	S813-130200
CN-2	AMP	15	l/conn(Frame harness-Main harness)	2-85262-1	368301-1
CN-3	AMP	15	l/conn(Frame harness-Main harness)	2-85262-1	368301-1
CN-4	SWP	12	l/conn(Frame harness-Engine harness)	S816-012002	S816-112002
CN-5	AMP	15	l/conn(Cab harness-Main harness)	2-85262-1	368301-1
CN-6	AMP	15	l/conn(Frame harness-Main harness)	2-85262-1	368301-1
CN-8	SWP	12	l/conn(Front harness-Main harness)	S816-012002	S816-112002
CN-10	SWP	12	l/conn(Front harness-Main harness)	S816-012002	S816-112002
CN-11	DEUTSCH	8	l/conn(Main harness-Aircon harness)	DT06-8S	-
CN-12	AMP	15	l/conn(Frame harness-Engine harness)	2-85262-1	368301-1
CN-14	AMP	15	l/conn(Frame harness-Main harness)	2-85262-1	368301-1
CN-20	Molex	2	Horn	36825-0212	-
CN-21	HW090 sealed	6	Front wiper motor	6189-01330	-
CN-22	SWP	2	Front washer tank	S814-002000	-
CN-23	YAZAK1	2	Speaker(LH)	7123-1520	-
CN-24	YAZAK1	2	Speaker(RH)	7123-1520	-
CN-25	Molex	2	Horn	36825-0212	-
CN-26	250	2	Warning buzzer	S810-002202	-
CN-27	PA	9	Cassette and radio	S811-009003	-
CN-28	-	1	Comp(Air-con)	NMWP01F-B	-
CN-29	KET	2	Receiver drier	MG640795	-
CN-36	-	-	Fuse box	24L1-04100	-
CN-45	Ring term	-	Starter	S820-414000	-
CN-51	-	13	Cluster	172498-1	-
CN-52	AMP	68	T/M Control unit	962175	-
CN-53	-	6	Diagnostic	-	1-408705-0
CN-58	Econo seal III	36	Controller	344111-1	-
CN-60	58	2	Fusible link	-	S813-130200
CN-65	Shur	1	Back up buzzer	S822-014000	-
CN-71	J	2	Parking solenoid	DT06-2S	-
CN-74	Ring term	-	Alternator	S820-105000	-
CN-75	AMP	2	Fan clutch	85202-1	-
CN-83	MWP	2	Aircon fan	PH805-02028	-
CN-96	PACKARD	2	Fuel heater	1530-0027	-

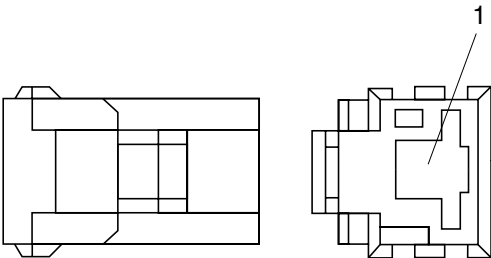
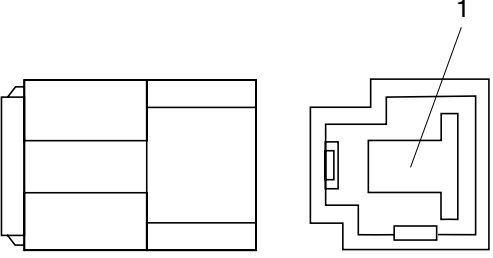
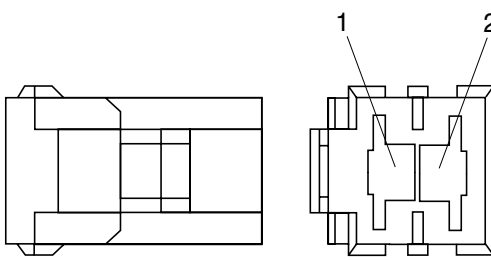
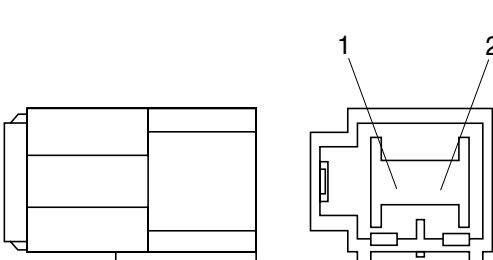
Connector number	Type	No. of pin	Destination	Connector part No.	
				Female	Male
CN-100	Autonics	-	Boom kick out	21L6-20020	-
CN-101	Autonics	-	Bucket leveler	21L6-20020	-
CN-102	HW090 sealed	6	Rear wiper motor	6189-01330	-
CN-103	SWP	2	Rear washer tank	S814-002000	-
CN-110	-	2	Joy stick	1-480698-0	-
CN-114	-	6	Joy stick	1-480704-0	-
CN-121	PACKARD	4	Gear shift lever	-	1201-0974
CN-122	PACKARD	4	Gear shift lever	1201-5797	-
CN-136	-	2	Ride control valve	DT06-2S-P012	-
CN-137	-	2	Ride control solenoid	DT06-2S-P012	-
CN-138	DEUTSCH	3	DC/DC Converter	DT06-3S	-
CN-139	DEUTSCH	2	12V socket	-	DT04-2P
CN-144	J	6	Pedal	S816-006002	-
Relay					
CR-1	Ring term	-	Battery relay	S820-104000	-
CR-2	250	4	Horn relay	S810-004202	-
CR-3	250	4	Front work lamp relay	S810-004202	-
CR-4	250	6	Wiper relay	S810-006202	-
CR-5	250	2	Safety relay	S810-006202	-
CR-6	250	4	Rear work lamp relay	S810-004202	-
CR-7	250	4	Aircon relay	S810-004202	-
CR-11	250	3	Flasher unit	S810-003702	-
CR-23	J	2	Start relay	S814-102001	-
CR-24	-	1	Preheater relay	S822-014000	-
CR-30	250	4	Back-up relay	S810-004202	-
CR-35	250	4	Ride control relay	S810-004202	-
CR-42	250	4	Preheater relay	S810-004202	-
CR-46	250	4	Fuel warmer relay	S810-004202	-
Switch					
CS-1	-	1	Door switch	S822-014004	-
CS-2	SWP	6	Start key switch	S814-006000	-
CS-3	SWF	10	Rear wiper switch	593757	-
CS-5	Shur	1	Horn switch	S822-014000	-
CS-11	SWP	8	Multi function switch	S814-008000	-
CS-12	SWP	6	Multi function switch	S814-006000	-
CS-17	SWF	10	Parking switch	593757	-
CS-20	SWF	10	Work lamp switch	593757	-

Connector number	Type	No. of pin	Destination	Connector part No.	
				Female	Male
CS-23	SWF	10	Beacon switch	593757	-
CS-34	SWF	10	Buzzer stop switch	593757	-
CS-39	SWF	10	Illumination and head lamp switch	593757	-
CS-41	SWF	10	Hazard switch	593757	-
CS-42	SWF	10	Clutch cut off switch	593757	-
CS-50	SWF	10	Ride control switch	593757	-
CS-51	SWF	10	Auto/manual switch	593757	-
CS-53	SWF	10	Steering pump switch	593757	-
Light					
CL-1	-	2	Room lamp	MG610392	-
CL-2	250	3	Cigar lighter	S810-003202	-
CL-3	SWP	4	Head light(LH)	S814-004000	-
CL-4	SWP	4	Head light(RH)	S814-004000	-
CL-5	SWP	2	Work light(LH)	S814-002000	-
CL-6	SWP	2	Work light(RH)	S814-002000	-
CL-7	250	1	Beacon lamp	S810-001202	-
CL-15	SWP	4	Combi lamp(RR, LH)	S814-004000	-
CL-16	SWP	4	Combi lamp(RR, RH)	S814-004000	-
CL-21	-	1	Numberplate lamp	170183-2	-
CL-22	DEUTSCH	2	Work light(LH)	DT04-2P	-
CL-23	DEUTSCH	2	Work light(RH)	-	DT04-2P
CL-24	SWP	2	Turn lamp(LH)	S814-002000	-
CL-25	SWP	2	Turn lamp(RH)	S814-002000	-
Sensor, sender					
CD-1	AMP	2	Hydraulic oil temp sensor	85202-1	-
CD-2	SWP	2	Fuel sensor	S814-002000	-
CD-3	Rubber cap	-	Brake fail pressure switch	21EA-003100	-
CD-4	Rubber cap	-	Stop lamp pressure switch	21EA-003100	-
CD-5	Rubber cap	-	Clutch cut off pressure switch	21EA-003100	-
CD-10	Ring term	2	Air cleaner switch	S820-105000	-
CD-15	AMP	2	Converter sensor	85202-1	-
CD-17	AMP	2	Engine pick-up sensor	85202-1	-
CD-26	Rubber cap	-	Parking pressure switch	21EA-003100	-
CD-27	AMP	-	Turbin pick up sensor	85202-1	-
CD-35	PACKARD	2	Fuel filter	1204-0753	-
CD-39	Rubber cap	-	Steering pressure switch	21EA-00310	-

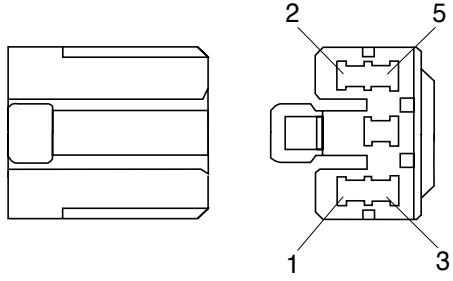
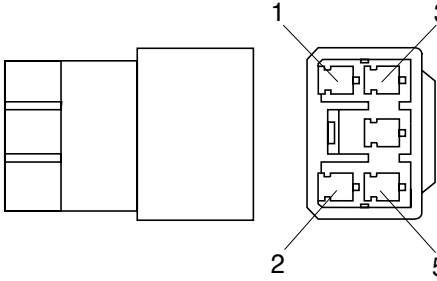
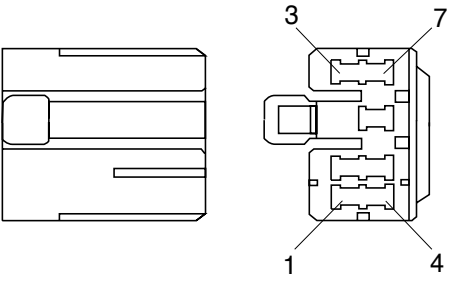
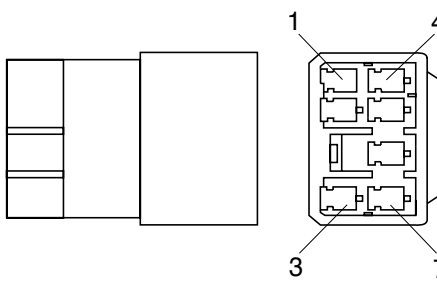
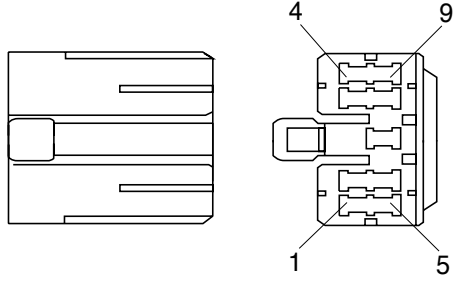
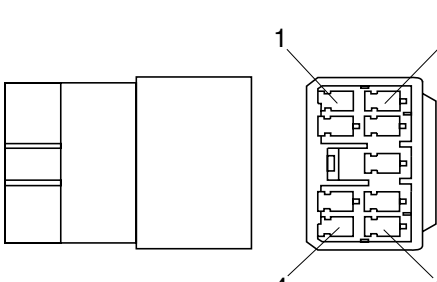
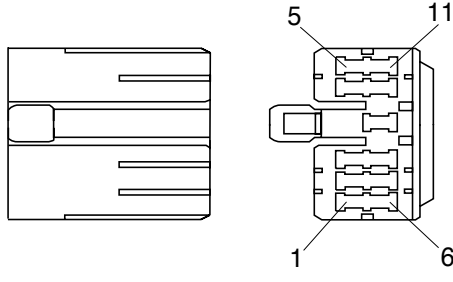
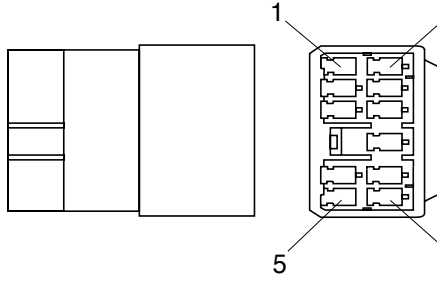
Connector number	Type	No. of pin	Destination	Connector part No.	
				Female	Male
CD-40	Rubber cap	2	Steering pump pressure switch	21EA-00310	-
CD-51	-	3	Output speed sensor	282087	-
CD-52	AMP	2	Oil filter	282080	-

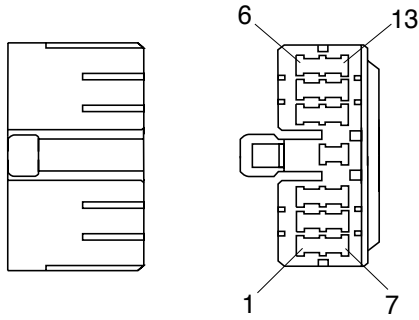
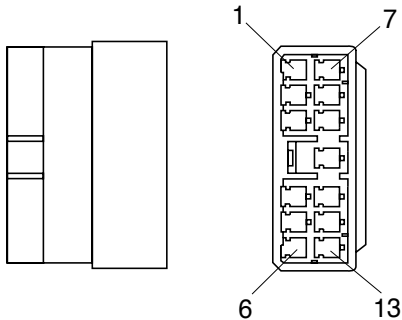
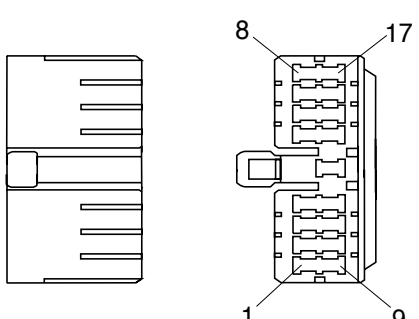
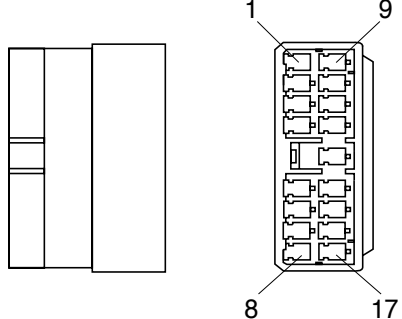
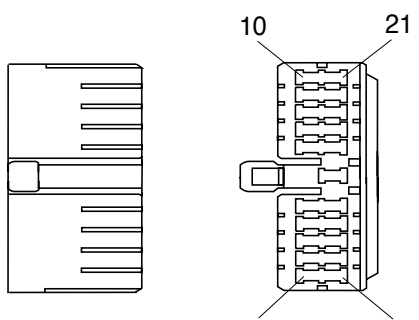
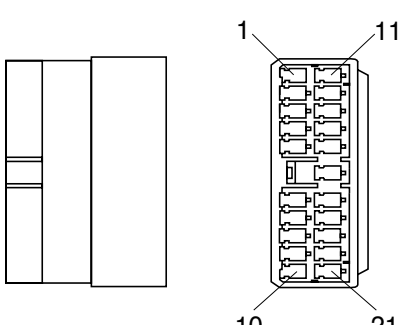
2. CONNECTION TABLE FOR CONNECTORS

1) 58-L TYPE CONNECTOR

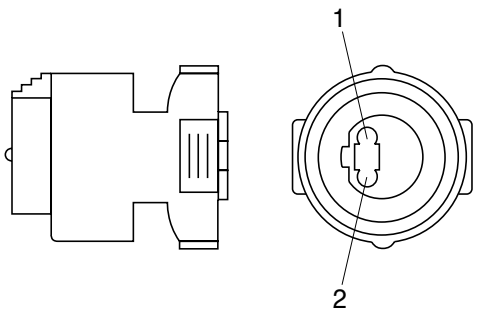
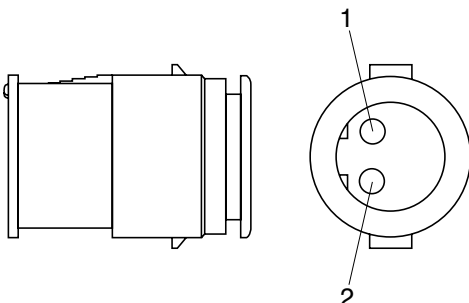
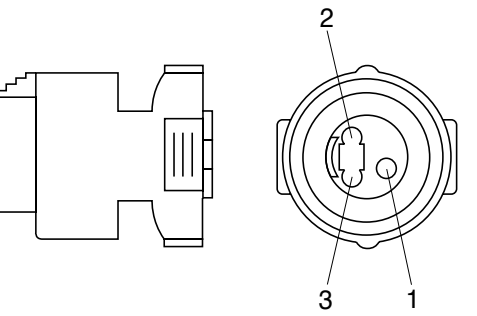
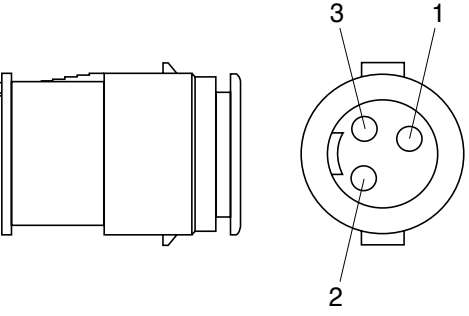
No. of pin	Receptacle connector(Female)	Plug connector(Male)
1	 <p data-bbox="683 723 834 757">S813-030100</p>	 <p data-bbox="1257 723 1409 757">S813-130100</p>
2	 <p data-bbox="683 1131 834 1164">S813-030200</p>	 <p data-bbox="1257 1131 1409 1164">S813-130200</p>

2) PA TYPE CONNECTOR

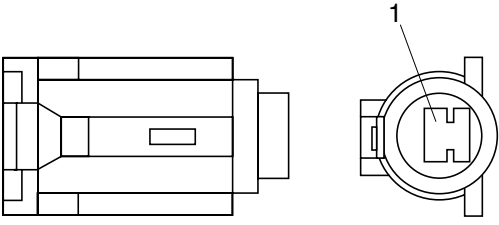
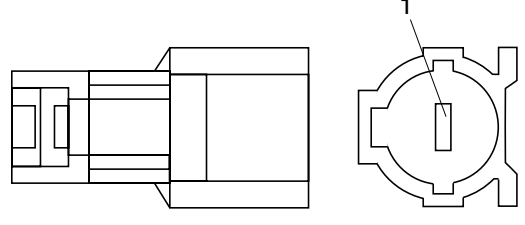
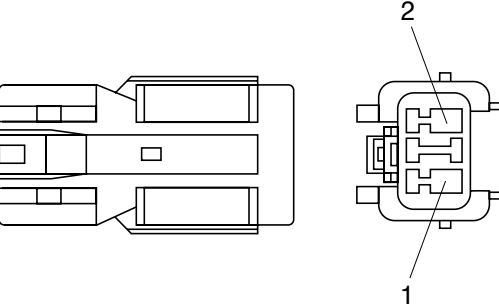
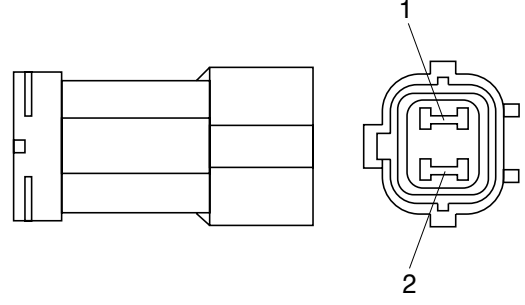
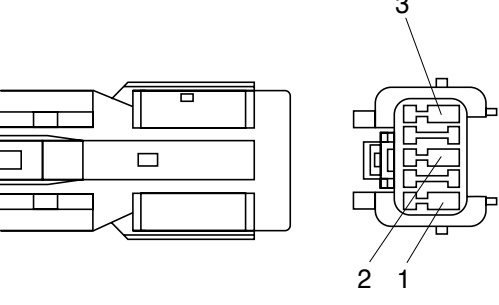
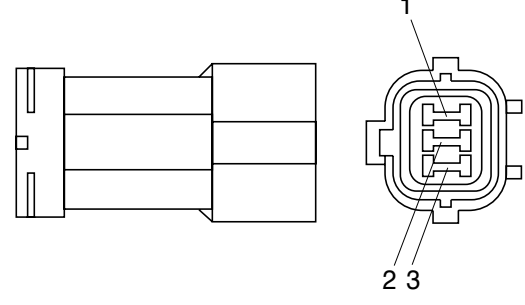
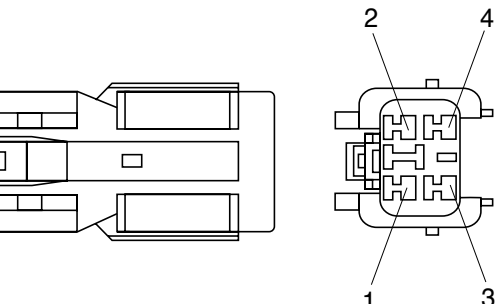
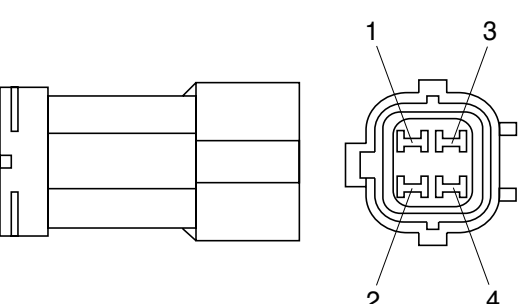
No. of pin	Receptacle connector(Female)	Plug connector(Male)
5	 <p data-bbox="683 667 834 701">S811-005002</p>	 <p data-bbox="1257 667 1409 701">S811-105002</p>
7	 <p data-bbox="683 1081 834 1115">S811-007002</p>	 <p data-bbox="1257 1081 1409 1115">S811-107002</p>
9	 <p data-bbox="683 1485 834 1518">S811-009002</p>	 <p data-bbox="1257 1485 1409 1518">S811-109002</p>
11	 <p data-bbox="683 1899 834 1933">S811-011002</p>	 <p data-bbox="1257 1899 1409 1933">S811-111002</p>

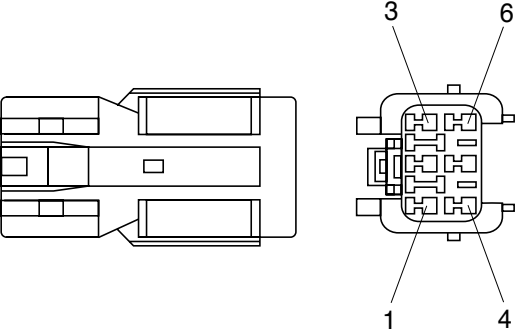
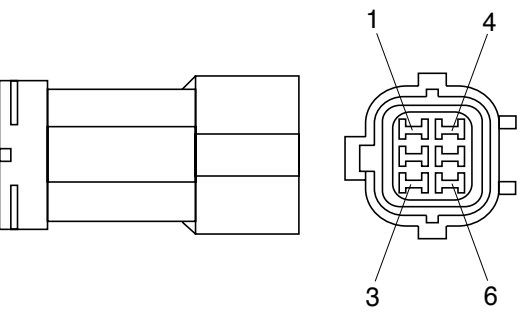
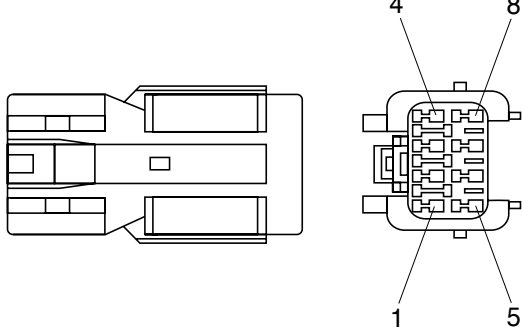
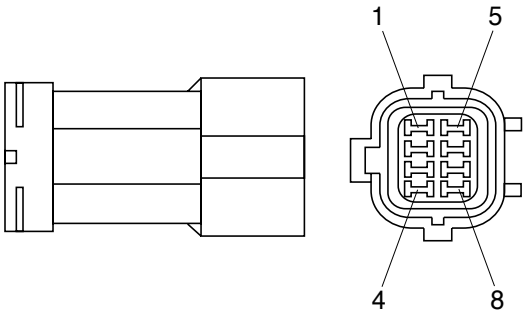
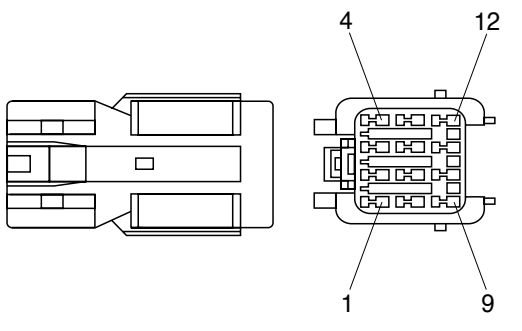
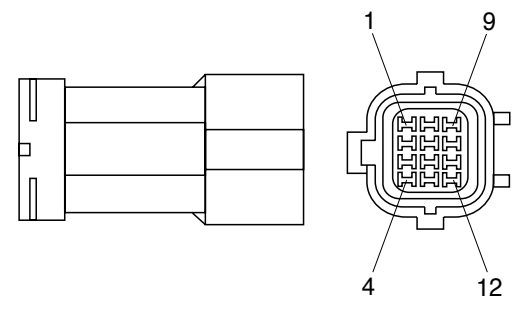
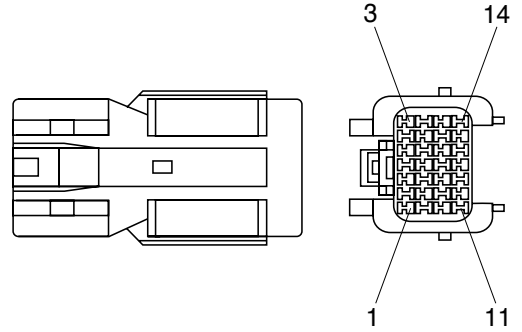
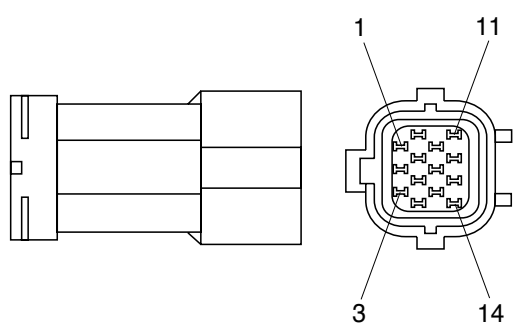
No. of pin	Receptacle connector(Female)	Plug connector(Male)
13	 <p data-bbox="694 629 842 660">S811-013002</p>	 <p data-bbox="1268 629 1417 660">S811-113002</p>
17	 <p data-bbox="694 1039 842 1070">S811-017002</p>	 <p data-bbox="1268 1039 1417 1070">S811-117002</p>
21	 <p data-bbox="694 1449 842 1480">S811-021002</p>	 <p data-bbox="1268 1449 1417 1480">S811-121002</p>

3) J TYPE CONNECTOR

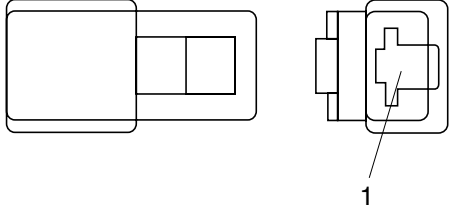
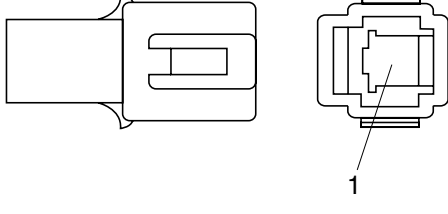
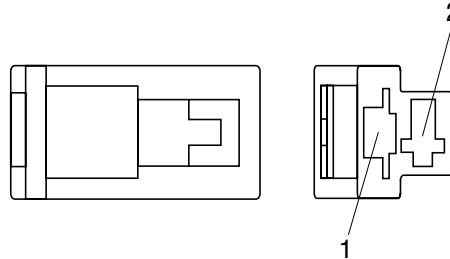
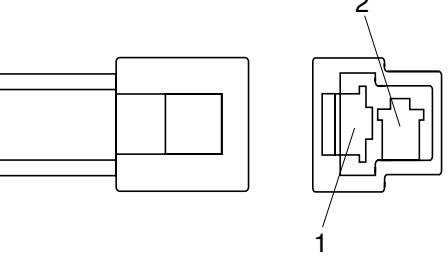
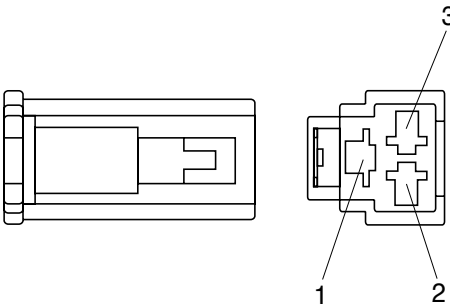
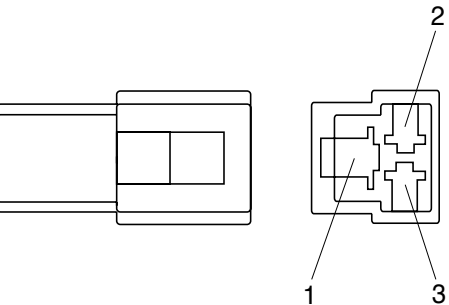
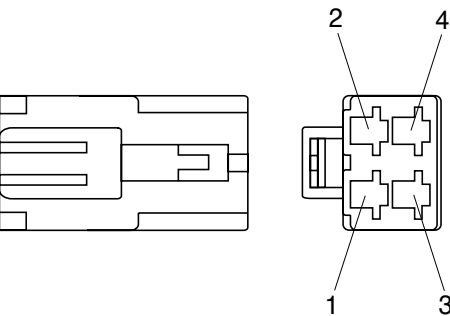
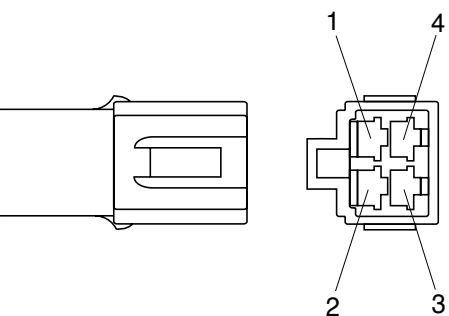
No. of pin	Receptacle connector(Female)	Plug connector(Male)
2	 <p data-bbox="686 672 829 705">S816-002001</p>	 <p data-bbox="1260 672 1404 705">S816-102001</p>
3	 <p data-bbox="686 1075 829 1108">S816-003001</p>	 <p data-bbox="1260 1075 1404 1108">S816-103001</p>

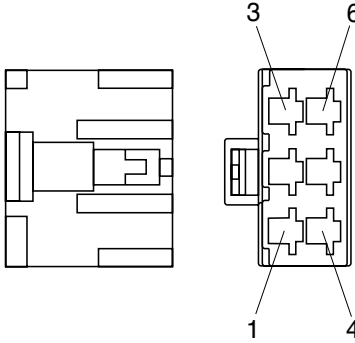
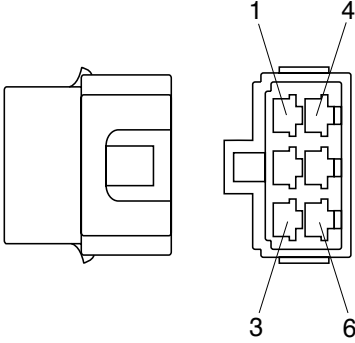
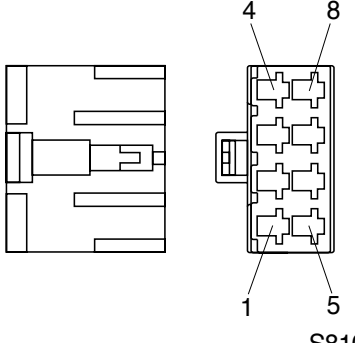
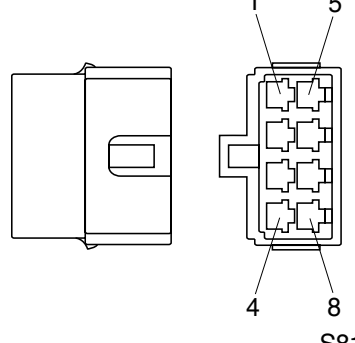
4) SWP TYPE CONNECTOR

No. of pin	Receptacle connector(Female)	Plug connector(Male)
1	 <p data-bbox="686 672 837 705">S814-001000</p>	 <p data-bbox="1260 672 1412 705">S814-101000</p>
2	 <p data-bbox="686 1075 837 1108">S814-002000</p>	 <p data-bbox="1260 1075 1412 1108">S814-102000</p>
3	 <p data-bbox="686 1478 837 1512">S814-003000</p>	 <p data-bbox="1260 1478 1412 1512">S814-103000</p>
4	 <p data-bbox="686 1881 837 1915">S814-004000</p>	 <p data-bbox="1260 1881 1412 1915">S814-104000</p>

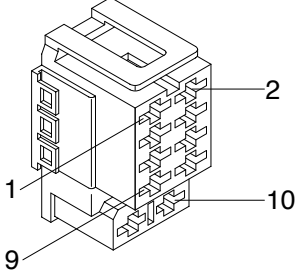
No. of pin	Receptacle connector(Female)	Plug connector(Male)
6	 <p data-bbox="687 629 836 658">S814-006000</p>	 <p data-bbox="1262 629 1410 658">S814-106000</p>
8	 <p data-bbox="687 1037 836 1066">S814-008000</p>	 <p data-bbox="1262 1037 1410 1066">S814-108000</p>
12	 <p data-bbox="687 1444 836 1473">S814-012000</p>	 <p data-bbox="1262 1444 1410 1473">S814-112000</p>
14	 <p data-bbox="687 1852 836 1881">S814-014000</p>	 <p data-bbox="1262 1852 1410 1881">S814-114000</p>

5) CN TYPE CONNECTOR

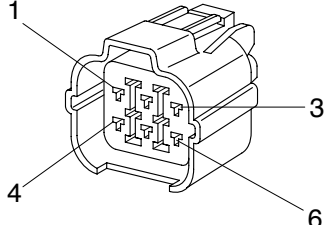
No. of pin	Receptacle connector(Female)	Plug connector(Male)
1	 <p data-bbox="687 674 839 707">S810-001202</p>	 <p data-bbox="1262 674 1414 707">S810-101202</p>
2	 <p data-bbox="687 1077 839 1111">S810-002202</p>	 <p data-bbox="1262 1077 1414 1111">S810-102202</p>
3	 <p data-bbox="687 1480 839 1514">S810-003202</p>	 <p data-bbox="1262 1480 1414 1514">S810-103202</p>
4	 <p data-bbox="687 1883 839 1917">S810-004202</p>	 <p data-bbox="1262 1883 1414 1917">S810-104202</p>

No. of pin	Receptacle connector(Female)	Plug connector(Male)
6	 <p data-bbox="687 629 834 656">S810-006202</p>	 <p data-bbox="1262 629 1409 656">S810-106202</p>
8	 <p data-bbox="687 1037 834 1064">S810-008202</p>	 <p data-bbox="1262 1037 1409 1064">S810-108202</p>

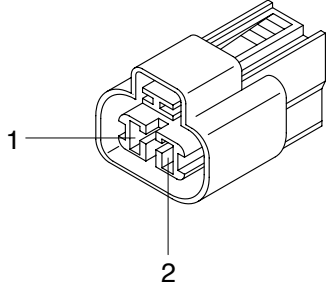
6) ITT SWF CONNECTOR

No. of pin	Receptacle connector(Female)	Plug connector(Male)
10	 <p style="text-align: right;">SWF593757</p>	

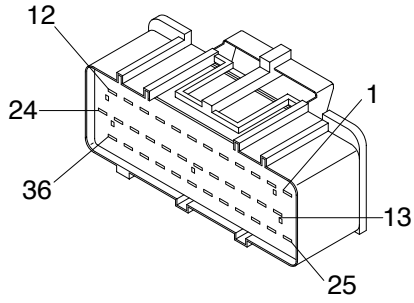
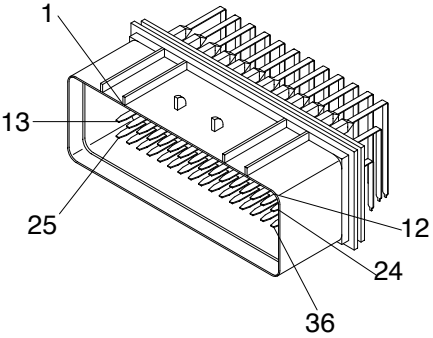
7) HW090 SEALED CONNECTOR

No. of pin	Receptacle connector(Female)	Plug connector(Male)
6	 <p style="text-align: right;">6189-0133</p>	

8) MWP02F-B CONNECTOR

No. of pin	Receptacle connector(Female)	Plug connector(Male)
2	 <p style="text-align: right;">PH805-02028</p>	

9) AMP ECONOSEAL CONNECTOR

No. of pin	Receptacle connector(Female)	Plug connector(Male)
36	 <p style="text-align: right;">344111-1</p>	 <p style="text-align: right;">344108-1</p>