

SECTION 7 ELECTRICAL SYSTEM

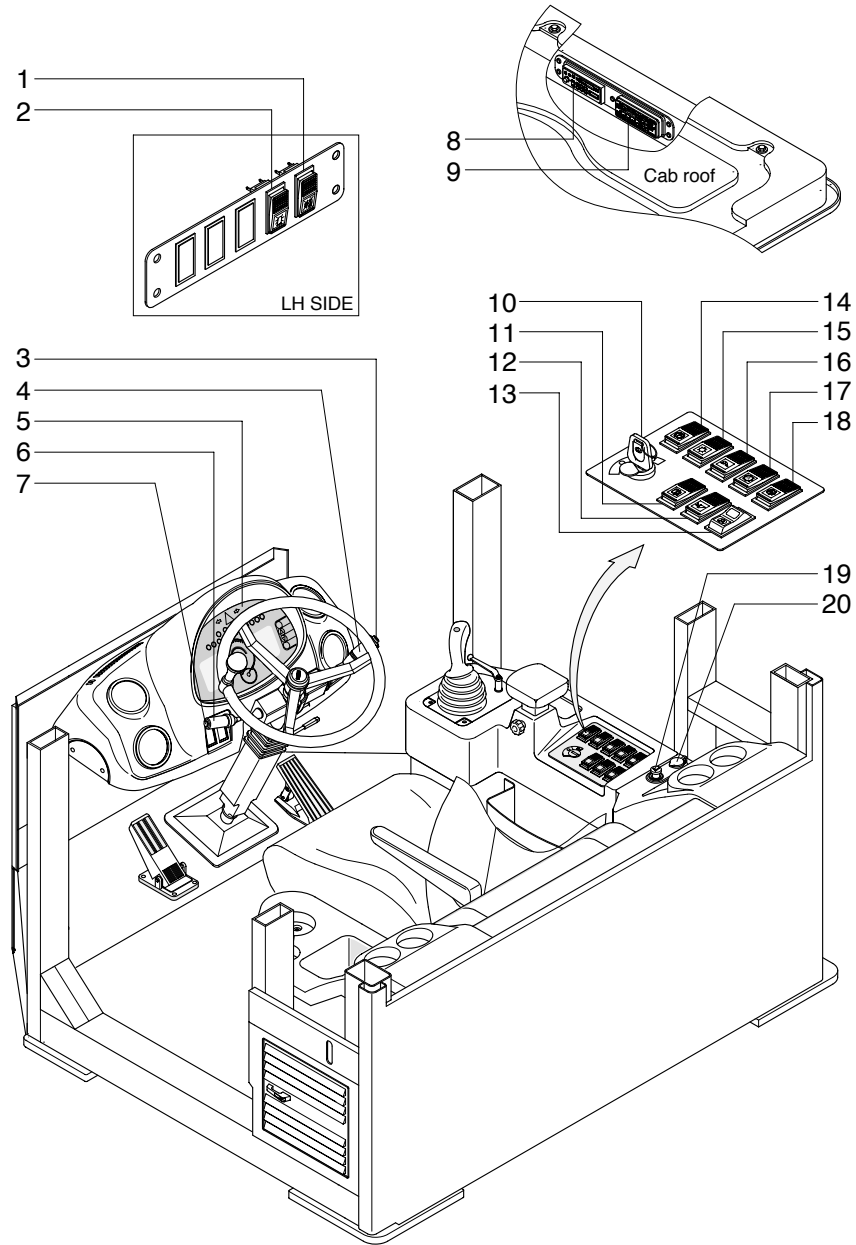


- Group 1 Component Location ----- 7-1
- Group 2 Electrical Circuit ----- 7-3
- Group 3 Monitoring System ----- 7-22
- Group 4 Electrical Component Specification ----- 7-38
- Group 5 Connectors ----- 7-45
- Group 6 Troubleshooting ----- 7-59

SECTION 7 ELECTRICAL SYSTEM

GROUP 1 COMPONENT LOCATION

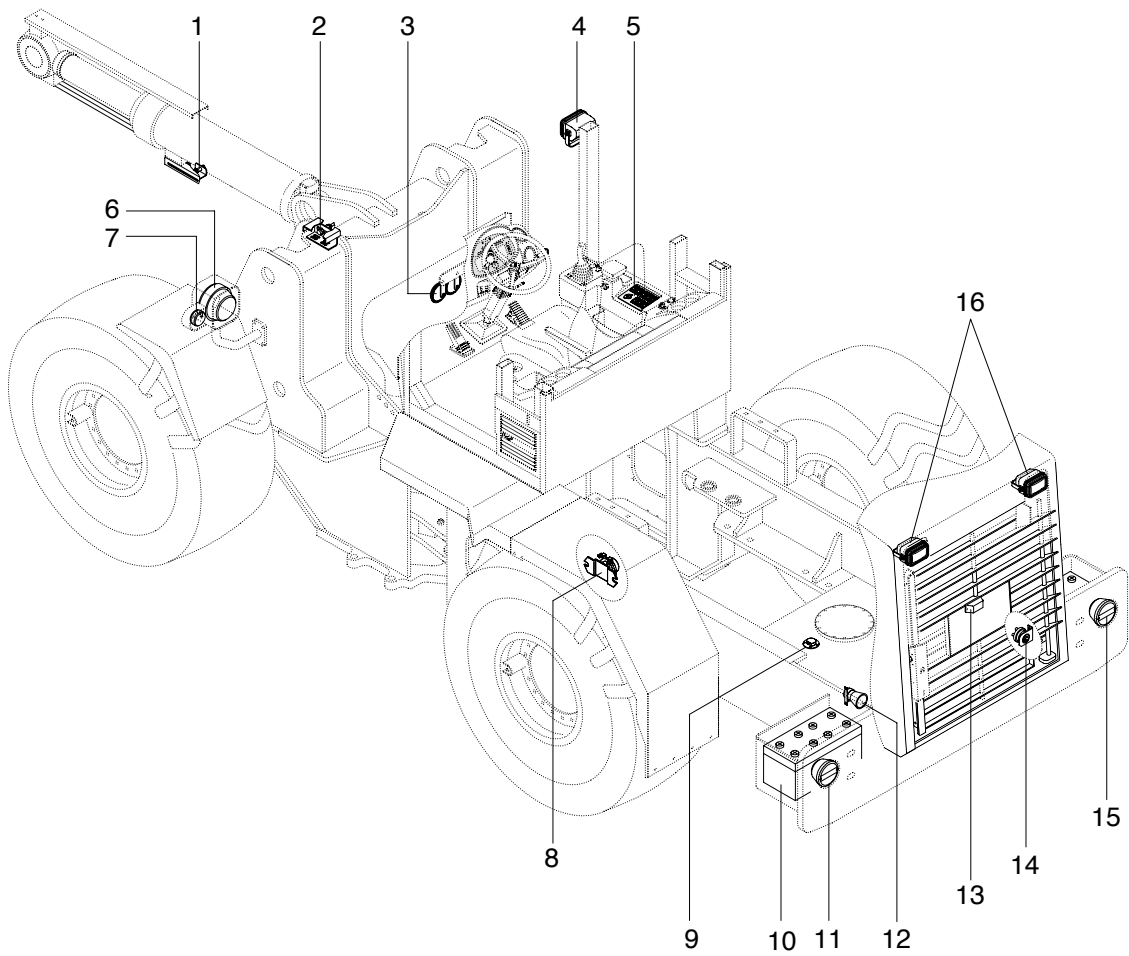
1. LOCATION 1



7707EL02

- | | | |
|-------------------------|--------------------------------|--------------------------|
| 1 Buzzer stop switch | 8 Radio & cassette | 15 Main light switch |
| 2 Beacon switch(option) | 9 Aircon & heater switch | 16 Work lamp switch |
| 3 Horn button | 10 Starting switch | 17 Auto select switch |
| 4 Multi function switch | 11 Rear wiper/washer switch | 18 Clutch cut off switch |
| 5 Cluster | 12 Ride control switch(option) | 19 Cigar lighter |
| 6 Gear selector lever | 13 Pump motor switch(option) | 20 12V socket |
| 7 Kick down switch | 14 Parking brake switch | |

2. LOCATION 2



7707EL02-1

- | | | | | | |
|---|------------------|----|-----------------|----|-------------------|
| 1 | Proximity switch | 7 | Front turn lamp | 12 | Back up buzzer |
| 2 | Proximity switch | 8 | Start relay | 13 | Number plate lamp |
| 3 | Horn | 9 | Fuel sender | 14 | Master switch |
| 4 | Work lamp | 10 | Battery | 15 | Rear combi lamp |
| 5 | Switch panel | 11 | Rear combi lamp | 16 | Work lamp |
| 6 | Head lamp | | | | |