

## GROUP 3 TESTS AND ADJUSTMENTS

### 1. HYDRAULIC OIL CLEAN UP PROCEDURE USING PORTABLE FILTER CADDY

※ **Service equipment and tool**

- Portable filter caddy
- Two 4000mm × 1in 100R1 Hoses
- Quick disconnect fittings.
- Discharge wand
- Various size fittings.

※ **Brake system uses oil from hydraulic oil tank. Flush all lines in the brake, pilot, steering system and cut off system. Disassemble and clean major components for brake and steering system. Remove and clean pilot caps from main control valve.**

**Brake and steering components may fail if brake and steering system is not cleaned after hydraulic oil tank contamination.**

- 1) If hydraulic system is contaminated due to a major component failure, remove and disassemble steering cylinders to clean debris from cylinders.
  - 2) Install a new return filter element. Inspect filter housing before installing new element.
- ※ **For a failure that creates a lot of debris, remove access cover from hydraulic oil tank. Drain and clean hydraulic oil tank of fill the specified oil to hydraulic oil tank through upper cover.**
- 3) To minimize oil loss, pull a vacuum in hydraulic oil tank using a vacuum pump. Connect filter caddy suction line to drain port at bottom of hydraulic oil tank using connector. Check to be sure debris has not closed drain port.
  - 4) Put filter caddy discharge line into hydraulic oil tank filler hole so end is as far away from drain port as possible to obtain a thorough cleaning of oil.

5) Start the filter caddy. Check to be sure oil is flowing through the filters.

Operate filter caddy approximately 10 minutes so oil in hydraulic oil tank is circulated through filter a minimum of four times.

※ Hydraulic oil tank capacity : 199 l  
(52.6U.S. gal)

Leave filter caddy operation for the next steps.

6) Start the engine and run it at high idle.

※ **For the most effective results, cleaning procedure must start with the smallest capacity circuit then proceed to the next largest capacity circuit.**

7) Operate all functions, one at a time, through a complete cycle in the following order: Clam, steering, bucket, and boom. Also include all auxiliary hydraulic functions.

Repeat procedure until the total system capacity has circulated through filter caddy seven times, approximately 30 minutes.

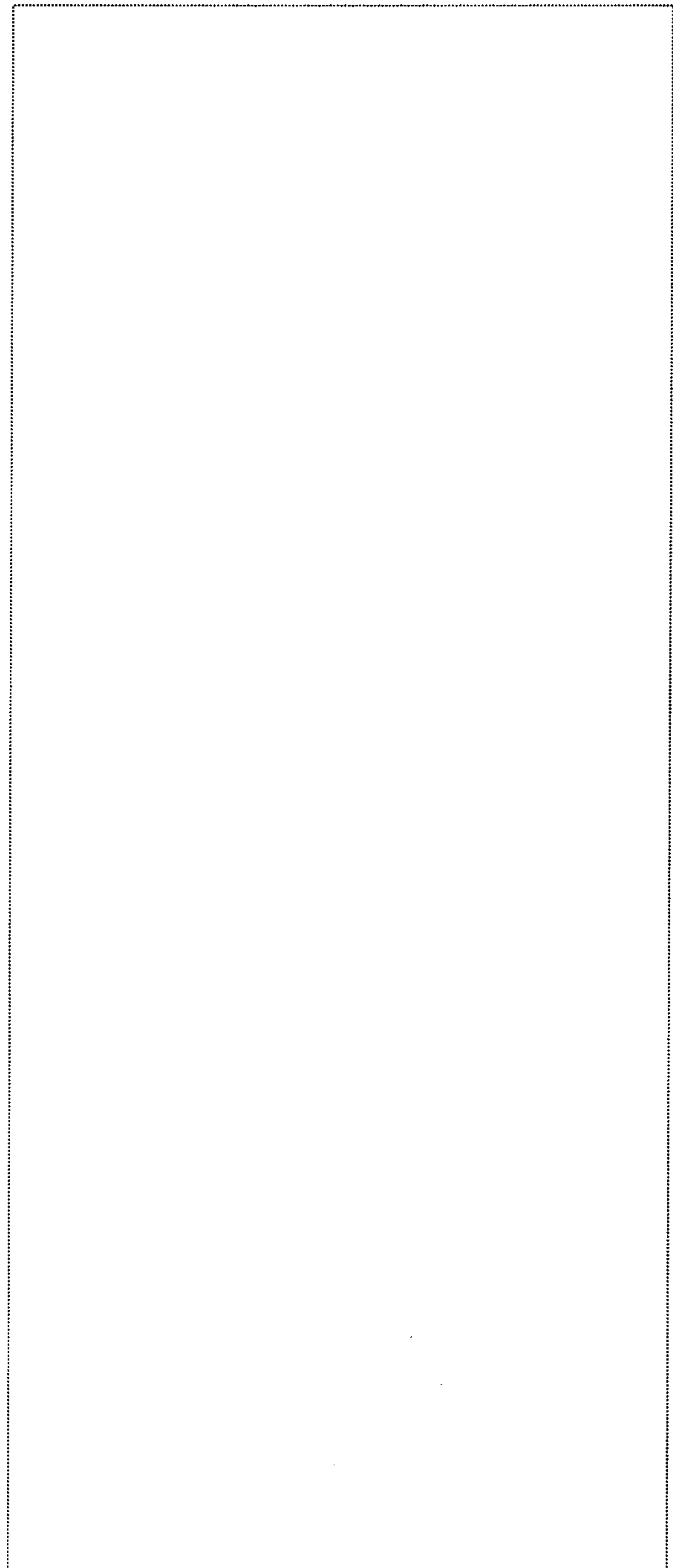
Each function must go through a minimum of three complete cycles for a thorough cleaning for oil.

※ **Filtering time for machines with auxiliary hydraulic functions must be increased because system capacity is larger.**

8) Stop the engine. Remove the filter caddy.

9) Install a new return filter element.

10) Check oil level in reservoir; Add oil if necessary.

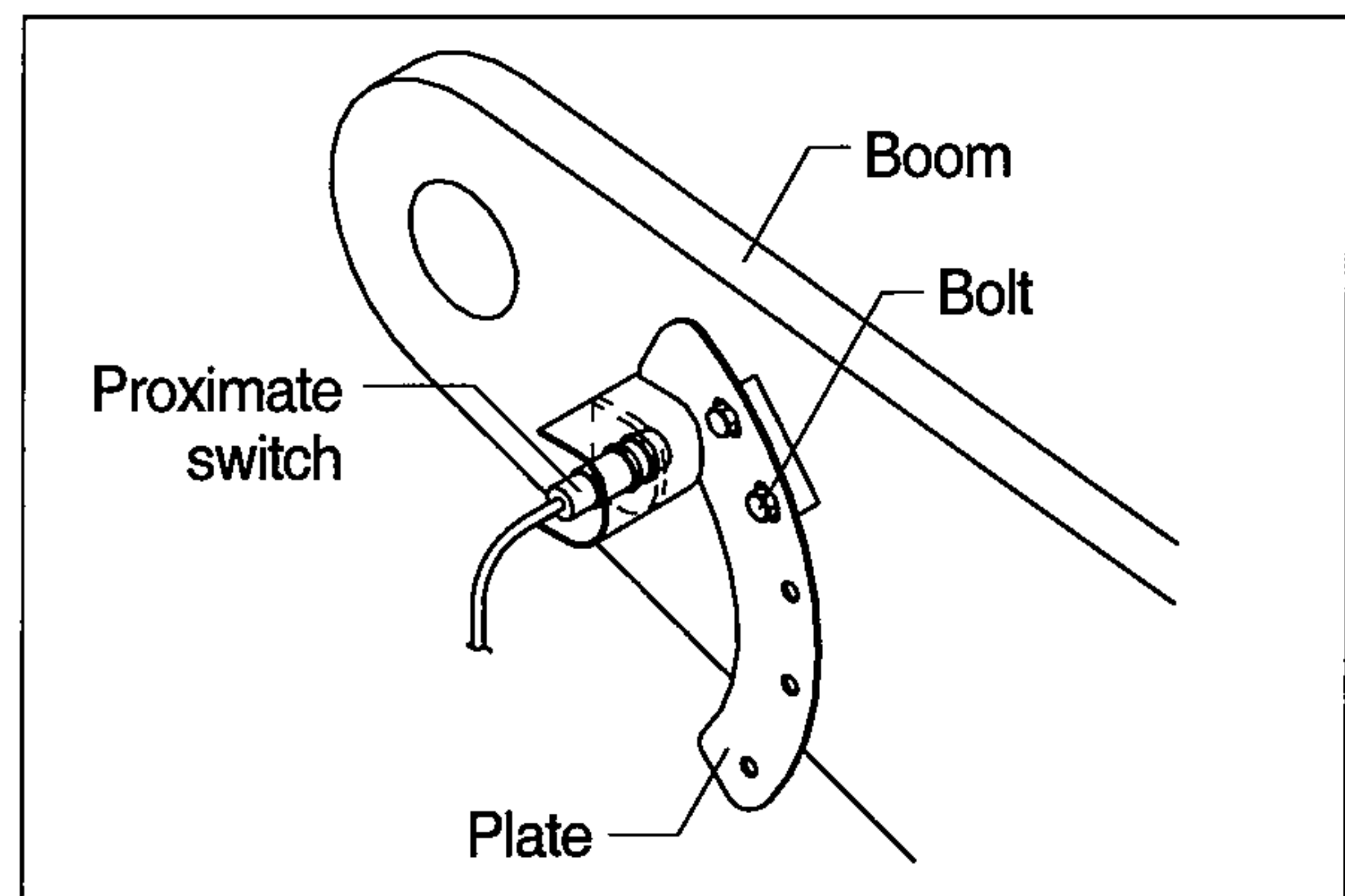


## 2. BOOM HEIGHT KICKOUT ADJUSTMENT

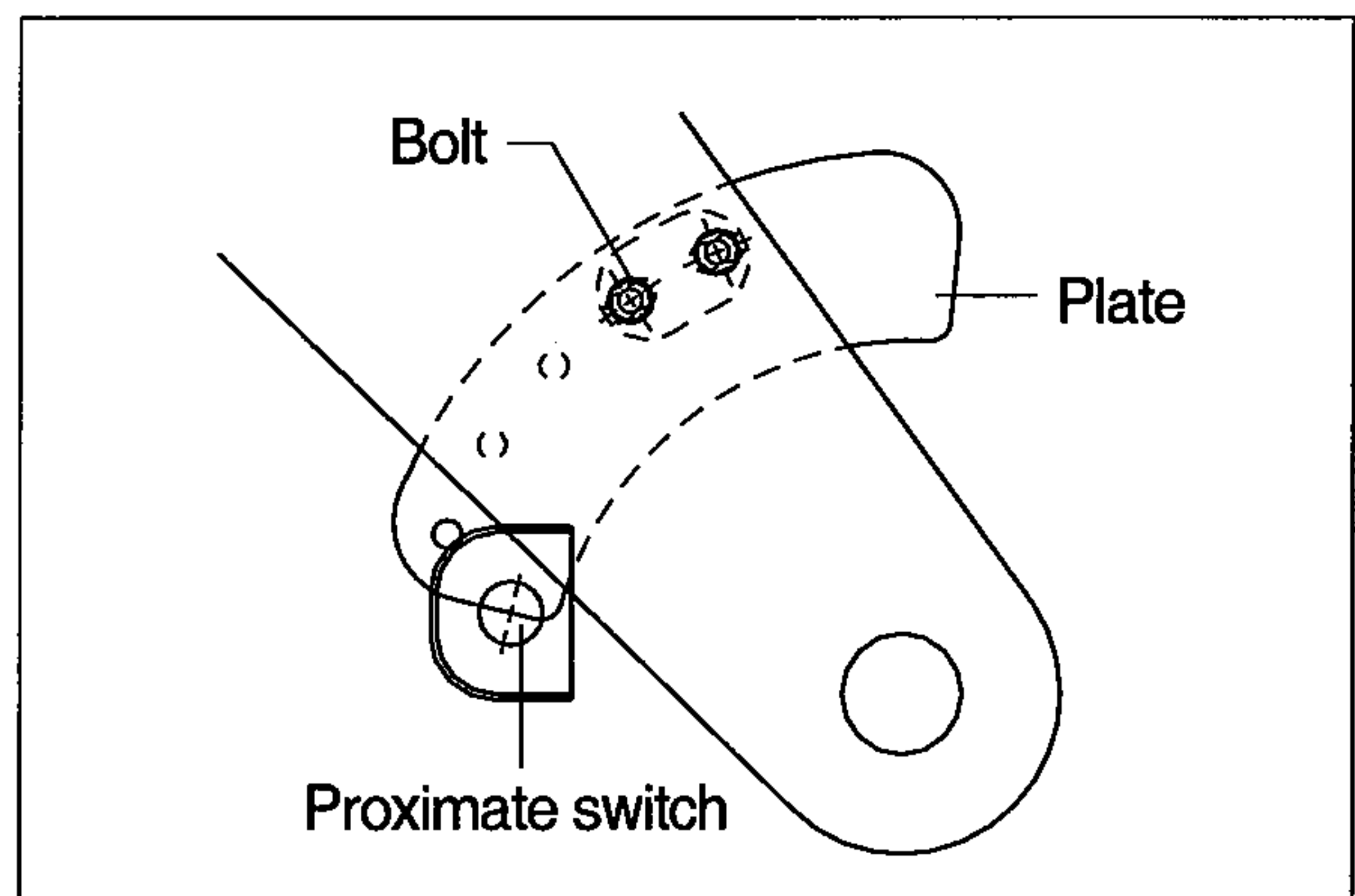
1) Lift the boom up to a desired height, set the boom control lever at hold, then stop the engine.

**⚠ Be careful lest work equipment fall down.**

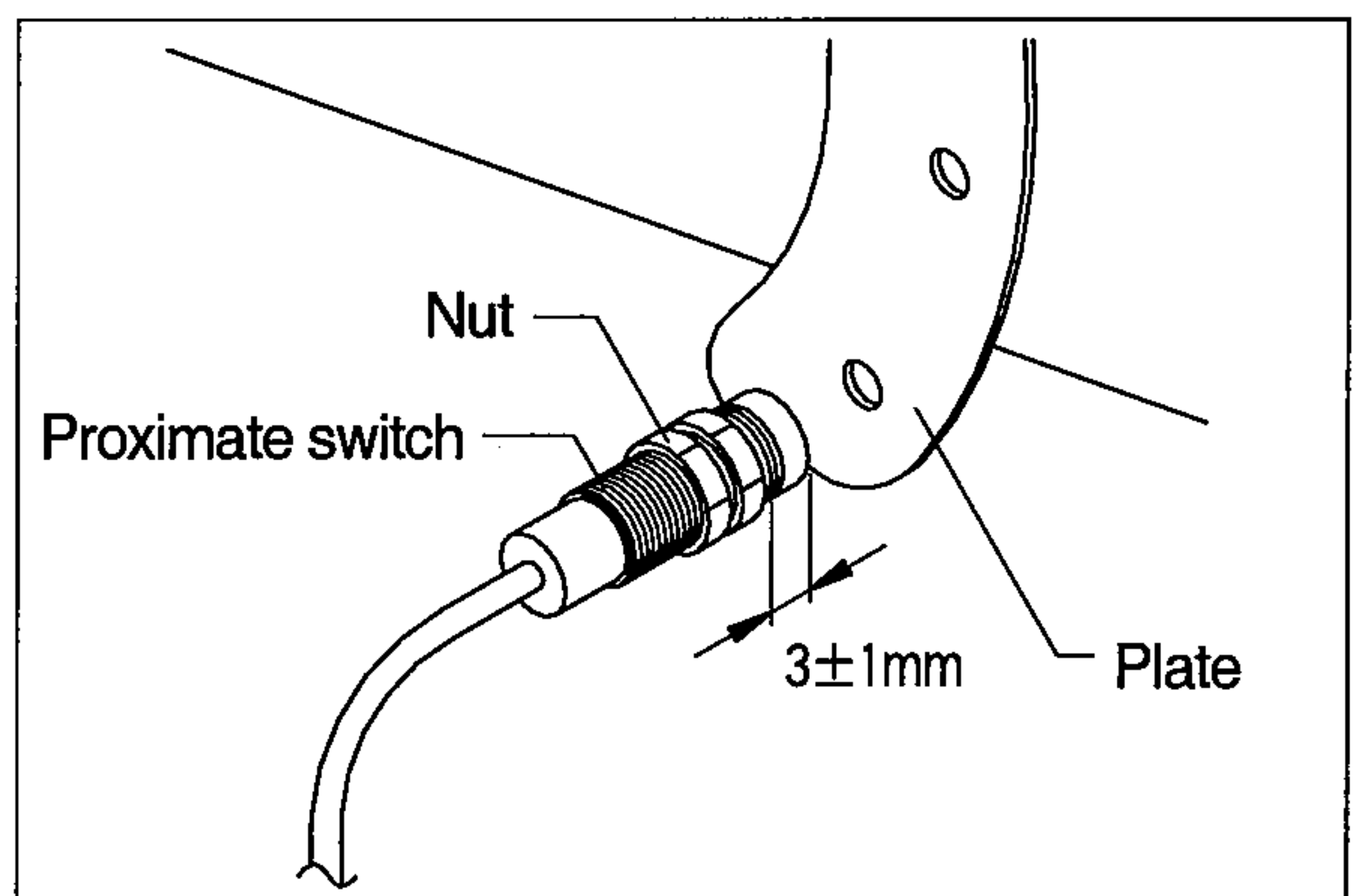
**Put the hydraulic safety lock lever in the LOCK position.**



2) Loosen bolts then tighten them after adjusting the plate so that it comes in contact with the center of the probe of the proximate switch.

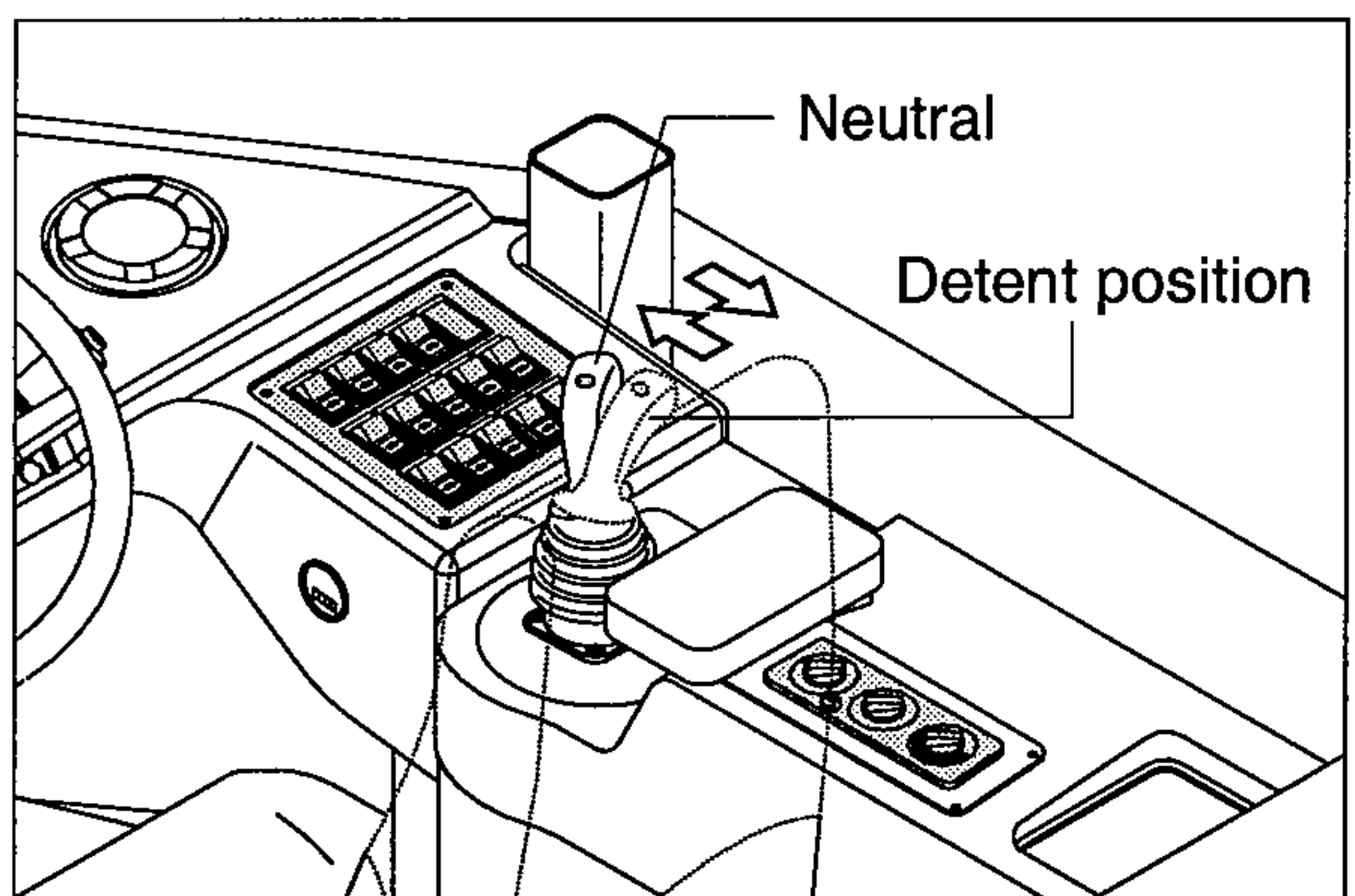


3) Loosen the nuts so that a clearance between the plate and the probe of the proximate switch are  $3 \pm 1$ mm.



4) Start the engine. Position the bucket on the ground. Then lift the bucket to a desired height by using the control lever and release the hand.

Confirm the lever automatically returns to the neutral position and the boom(The bucket) stop at the adjusted position.



### 3. TEST TOOLS

#### 1) CLAMP-ON ELECTRONIC TACHOMETER INSTALLATION

- Service equipment and tools  
Tachometer

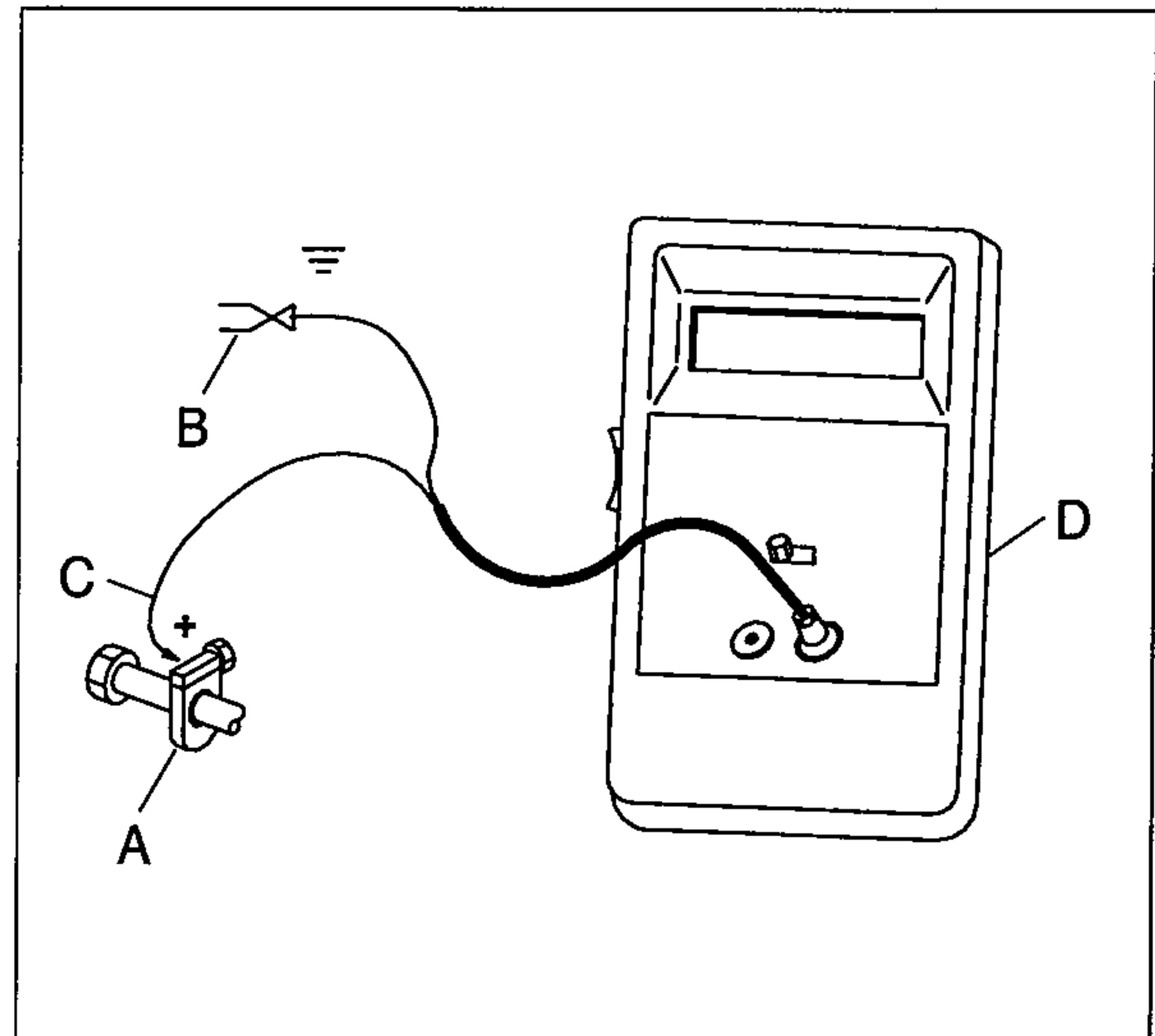
A : Clamp on tachometer.

Remove paint using emery cloth and connect to a straight section of injection line within 100mm(4in) of pump. Finger tighten only-do not over tighten.

B : Black clip(-). Connect to main frame.

C : Red clip(+). Connect to transducer.

D : Tachometer readout. Install cable.



#### 2) DIGITAL THERMOMETER INSTALLATION

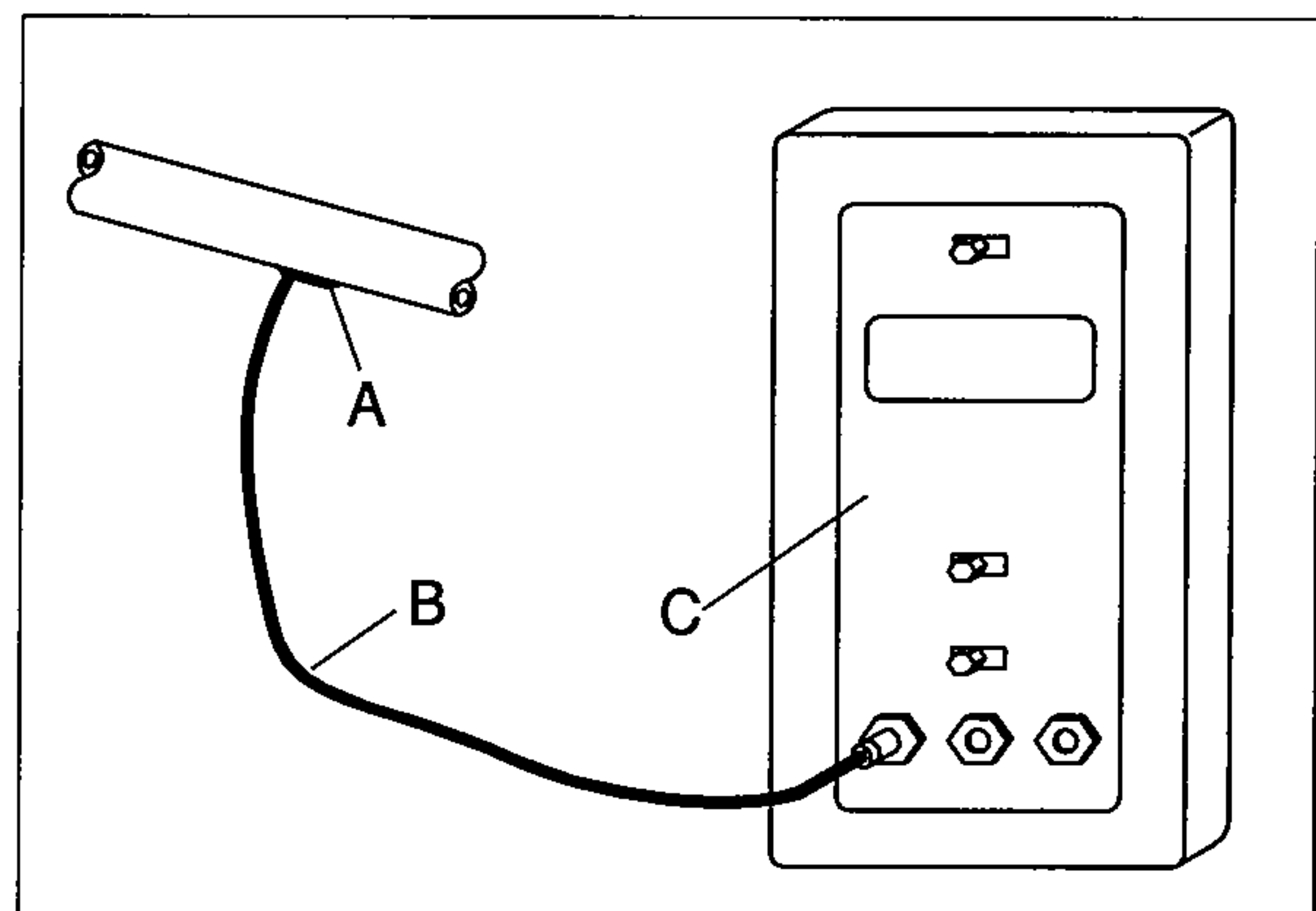
- Service equipment and tools  
Digital thermometer

A : Temperature probe.

Fasten to a bare metal line using a tie band. Wrap with shop towel.

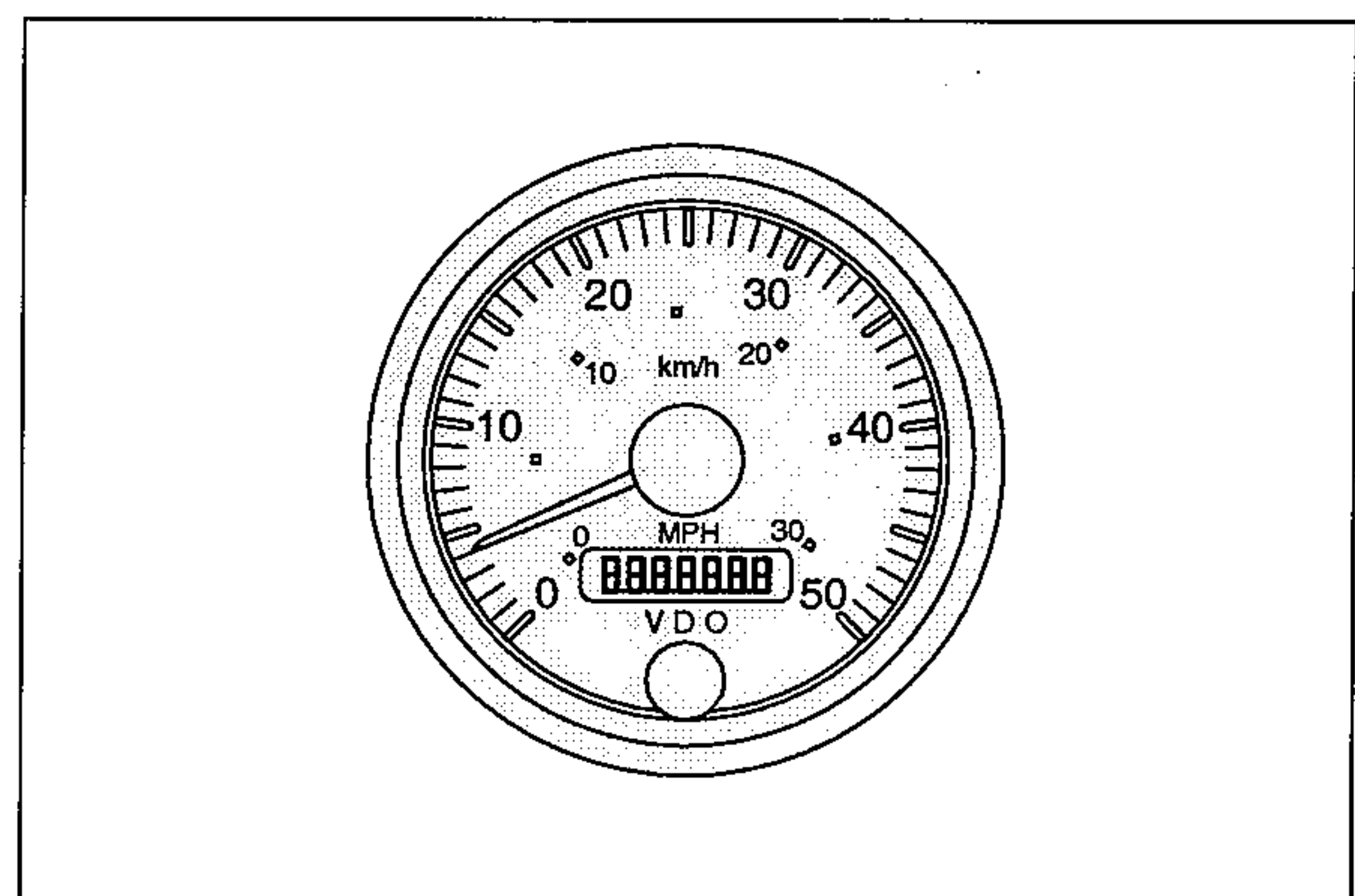
B : Cable.

C : Digital thermometer.



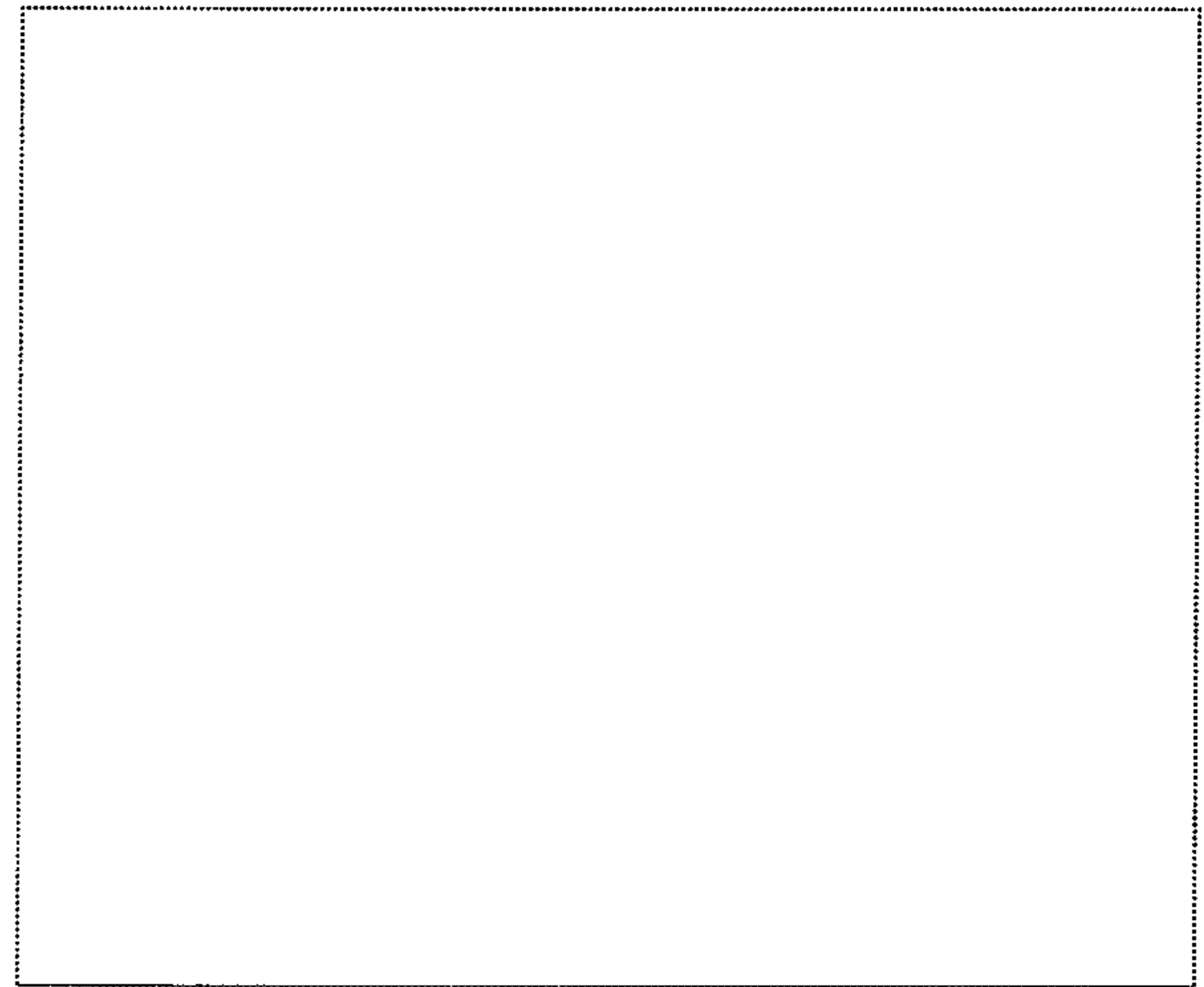
#### 3) DISPLAY MONITOR TACHOMETER

The display monitor tachometer is accurate enough for test work.



#### 4. HYDRAULIC OIL WARM UP PROCEDURE

- 1) Install temperature reader(See temperature reader installation procedure in this group).
- 2) Run engine at high idle.
- 3) Hold a hydraulic function over relief to heat the oil.
- 4) Periodically cycle all hydraulic functions to distribute warm oil.
- 5) Heat oil to test specification(Approx 50°C).



## 5. MAIN HYDRAULIC PUMP FLOW TEST

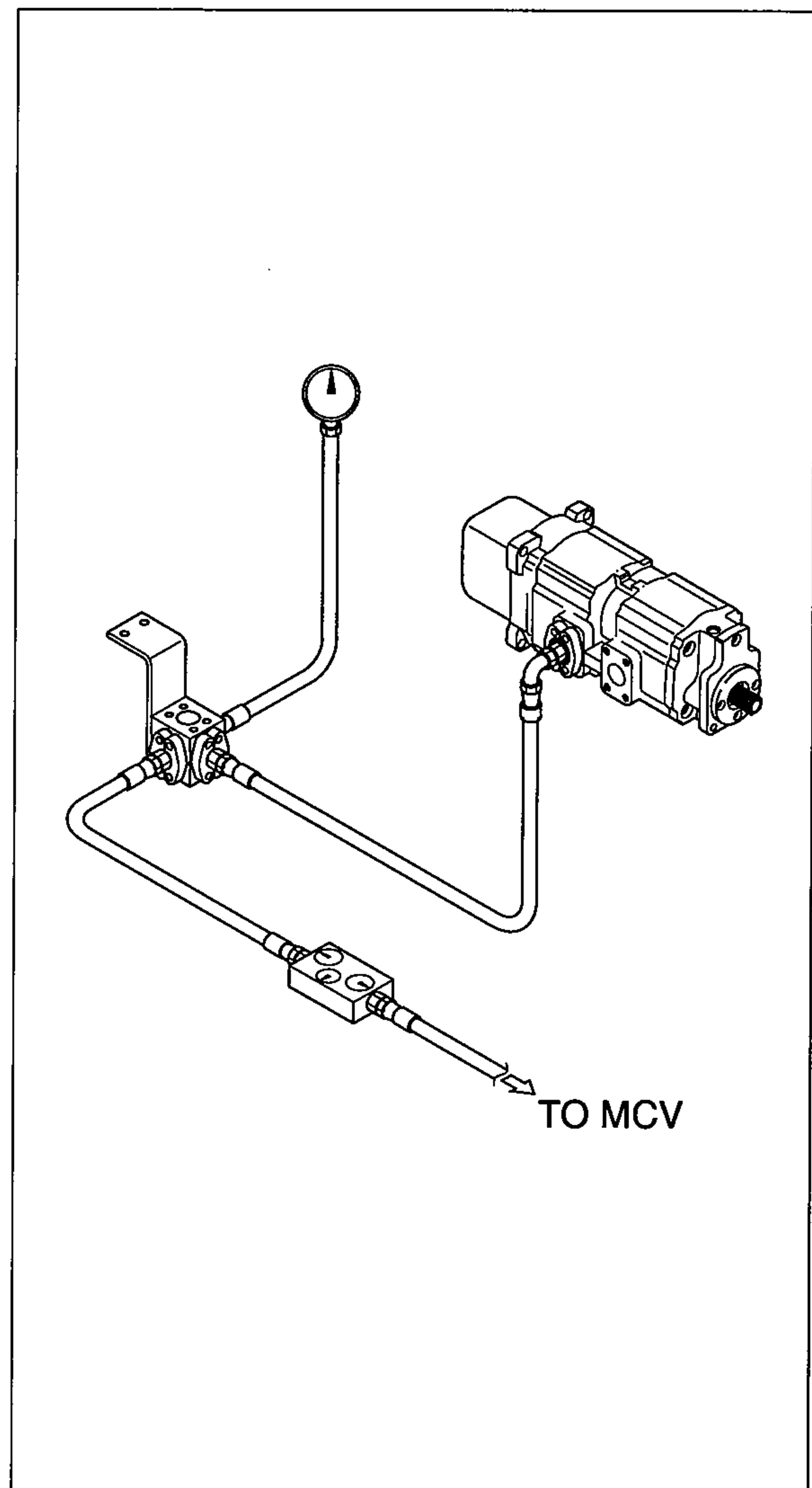
### • SPECIFICATION

Oil temperature	$65 \pm 6^{\circ}\text{C}$ ( $150 \pm 10^{\circ}\text{F}$ )
Engine speed	$2200 \pm 25\text{rpm}$
Test pressure	$200 \pm 10\text{bar}$ ( $2845\text{psi}$ )
Maximum pump flow	$137 \text{ l / min}$ ( $36\text{gpm}$ )

### • FLOW METER GAUGE AND TOOL

Gauge 0~35MPa(0~350bar, 0~5000psi)  
Temperature reader

- 1) Make test connections.
- 2) Install temperature reader. (See temperature reader installation procedure in this group.)
- 3) Heat hydraulic oil to specifications. (See hydraulic oil warm up procedure in this group.)
- 4) Run engine at test specifications.
- 5) Close flow meter loading valve to increase pressure to test specifications.
- 6) Read flow meter.
- 7) If flow is below specifications, check suction line and suction pressure for abnormality before removing pump.



## 6. LOADER SYSTEM AND PORT RELIEF VALVE PRESSURE TEST

### • SPECIFICATION

Oil temperature(45~55°C)

Relief valve	Engine speed	Relief pressure
System(M)	High	200 ± 5kg/cm <sup>2</sup> (2845 ± 70psi)
Boom raise(U)	Low	250 ± 5kg/cm <sup>2</sup> (3556 ± 70psi)
Bucket rollback(R)	Low	230 ± 5kg/cm <sup>2</sup> (3270 ± 70psi)
Bucket dump(D)	Low	230 ± 5kg/cm <sup>2</sup> (3270 ± 70psi)

### • Gauge and tool

Gauge 0~35MPa(0~350bar, 0~5000psi)

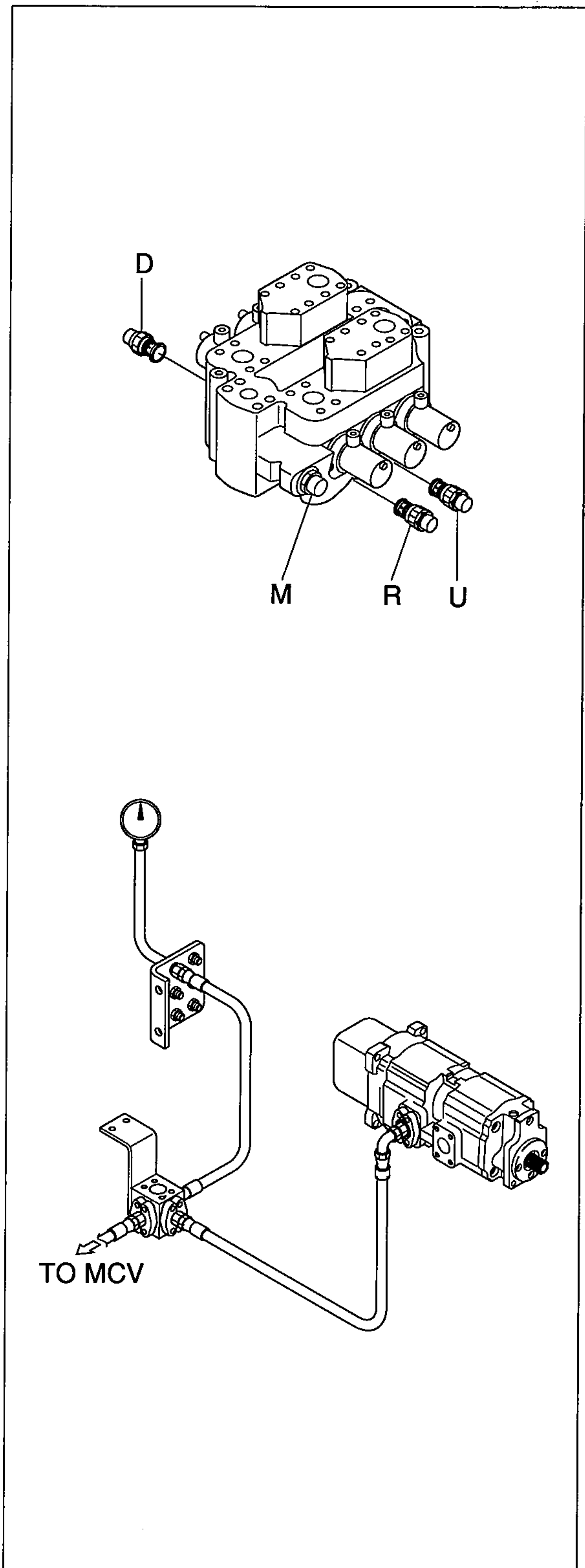
D : Bucket dump relief valve

M : System(Main) relief valve

R : Bucket rollback relief valve

U : Boom raise relief valve

- 1) Install pressure gauge to block(A) in pump delivery line.
- 2) Install temperature reader.(See temperature reader installation procedure in this group.)
- 3) Heat hydraulic oil to specifications.(See hydraulic oil warm up procedure in this group.)
- 4) To check the system relief valve(M), run engine at high idle. Lower boom to bottomed position. Slowly activate boom down function while watching pressure gauge. If pressure is not to specification, loosen lock nut on system relief valve(M) and adjust to specification.



※ **Do not adjust the system relief valve above 260kg/cm<sup>2</sup>(3700psi). Damage to the pump will result from excessive pressure settings.**

- 5) To check the bucket dump, bucket rollback, and boom raise, adjust the system relief valve to 260kg/cm<sup>2</sup>(3700psi).

Run engine to maintain 800 ~ 850 rpm when hydraulic function is activated over relief.

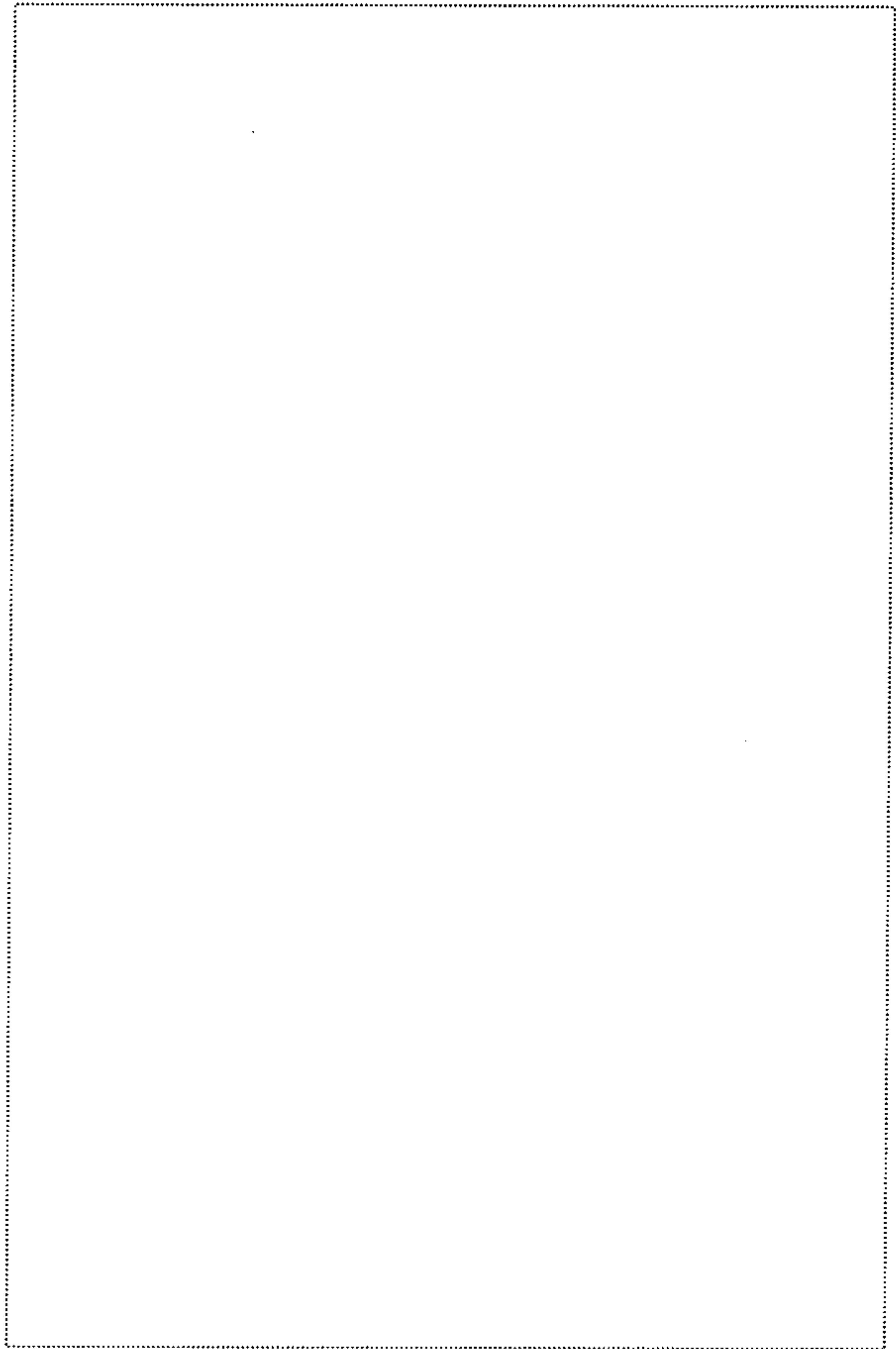
Activate the function to be checked with the cylinder bottomed. Read the pressure gauge.

If pressure is not to specification cycle relief valve over relief 10 times to flush.

Read pressure gauge again. Turn screw to adjust valve to specification.

※ **Do not work machine with system relief adjusted above specification or structural damage may occur.**

- 6) Adjust system relief valve to specification.





## 7. HYDRAULIC SYSTEM RESTRICTION TEST

### • SPECIFICATION

Oil temperature	65±6°C(150±10°F)
Engine speed	High idle
Maximum pressure at steering(Orbitrol) valve	2MPa(20bar, 285psi)
Maximum pressure at main control valve	1MPa(10bar, 145psi)

### • GAUGE AND TOOL

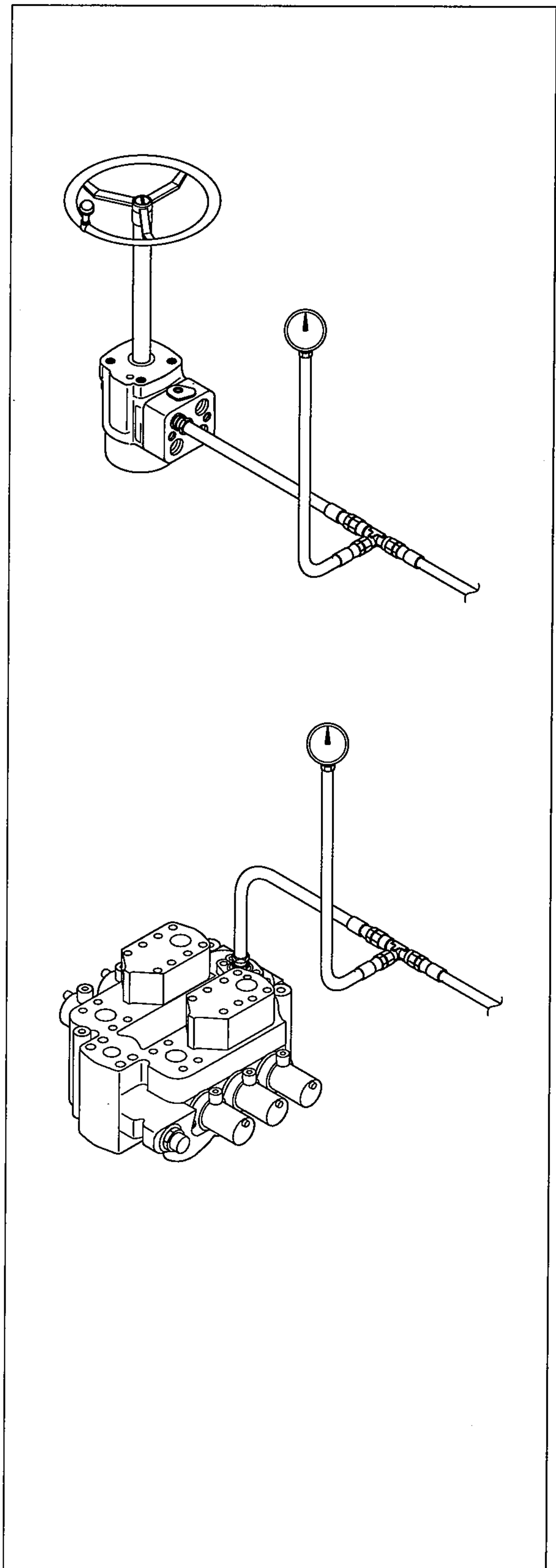
Gauge 0~7MPa(0~70bar, 0~1000psi) 2EA  
This test will check for restrictions in the hydraulic system which can cause overheating of hydraulic oil.

- 1) Install temperature reader.(See temperature reader installation procedure in this group.)
  - 2) Heat hydraulic oil to specifications.(See hydraulic oil warm up procedure in this group.)
  - 3) Connect gauge to block.
  - 4) Connect fitting and gauge to main control valve.
- ▲ Do not operate steering or loader functions or test gauge may be damaged.**
- 5) Run engine at specification and read pressure gauges.

If pressure is more than specification at the main control valve, check for a kinked, dented or obstructed hydraulic line. Check main control valve for a binding spool.

If pressure is more than specification at the block, inspect neutral condition of the steering valve and priority valve for a stuck spool. Make sure orifice plugs are installed in ends of priority valve spool.

Check for plugged orifice in priority valve LS port and dynamic signal orifice on the spool of priority valve.



## 8. LOADER CYLINDER DRIFT TEST

### · SPECIFICATION

Oil temperature  $40 \pm 6^{\circ}\text{C}$  ( $100 \pm 10^{\circ}\text{F}$ )

Boom horizontal

Bucket horizontal

Bucket unloaded

Item	Standard value
Retraction of boom cylinder rod	40mm
Retraction of bucket cylinder rod	20mm

### · GAUGE AND TOOL

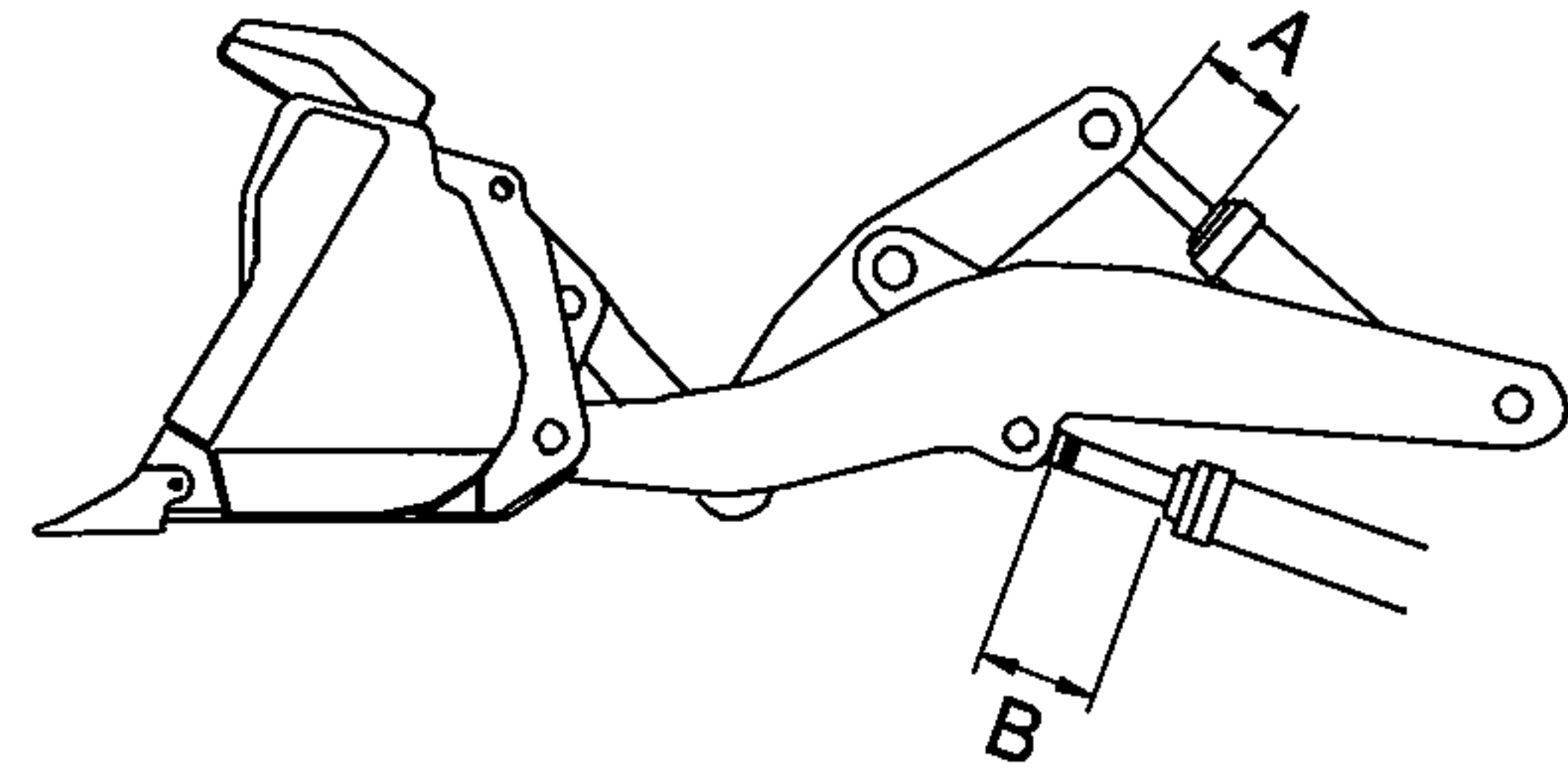
Stop watch

Temperature reader

**▲ Put the safety lock lever in the lock position.**

**▲ Do not go under the work equipment.**

- 1) Set the boom and bucket horizontal, then stop the engine.
- 2) Stop the engine, wait for 5 minutes, then start measuring.
- 3) Measure the amount the boom and bucket cylinder rods retract during 15 minutes.



A : Retraction of bucket cylinder rod

B : Retraction of boom cylinder rod

## 9. BOOM AND BUCKET CYLINDER LEAKAGE TEST

### • SPECIFICATION

Oil temperature	$40 \pm 6^{\circ}\text{C}$ ( $100 \pm 10^{\circ}\text{F}$ )
Engine speed	Low idle
Maximum leakage	15 ml/min (1/2 oz/min)

### • GAUGE AND TOOL

Temperature reader  
Stop watch  
Measuring container

1) Fasten temperature sensor to head end port of cylinder to be tested. Cover sensor with a shop towel.

2) Heat hydraulic oil to specifications. (See hydraulic oil warm up procedure in this group.)

**▲ Never work under raised equipment unless it is supported with a hoist or support stands.**

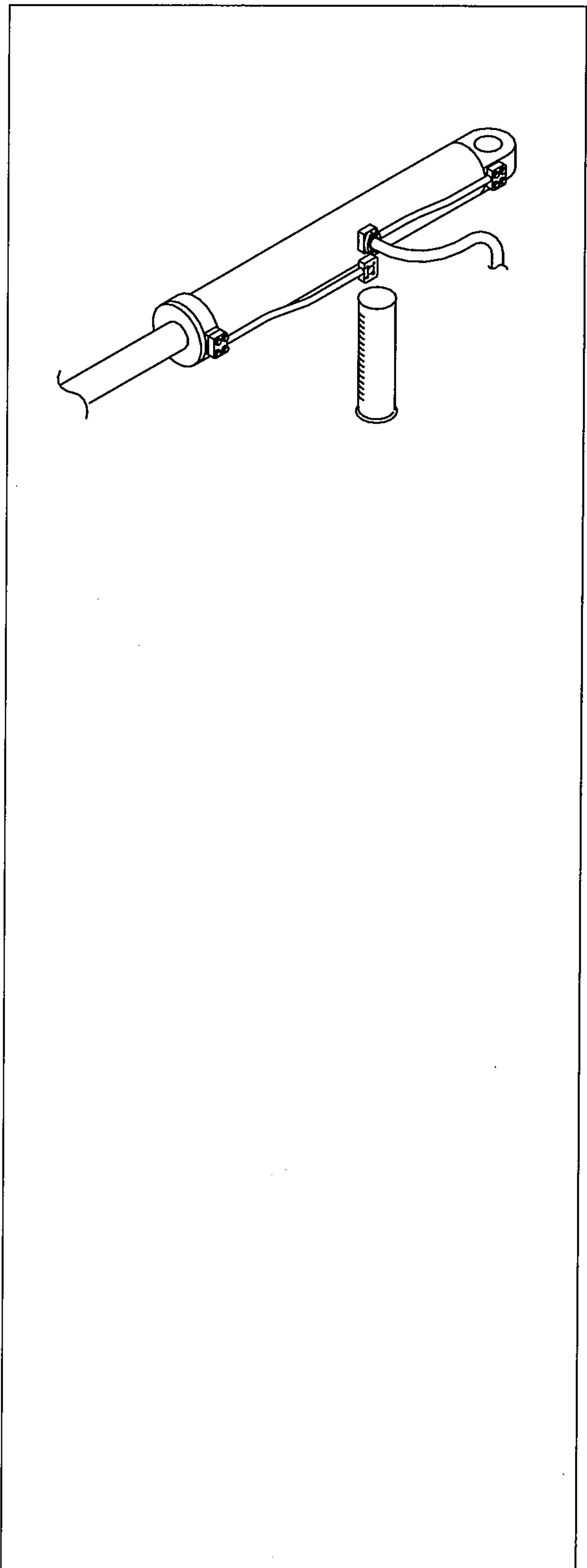
3) Full extend the cylinder to be tested. If testing the boom cylinders, restrain boom in the fully raised position using a hoist or a stand.

**\* Check cylinders for leakage in the fully extended position only. In the retracted position contacts the end of the cylinder and seals off piston seal leakage.**

4) Remove and plug cylinder rod end hose or line.

5) Run engine at low idle. Activate control lever to extend cylinder for 1 minute over relief while measuring leakage for open port.

If leakage is within specification, excessive cylinder drift is caused by leakage in the main control valve or circuit relief valve.



## 10. PILOT CONTROL VALVE PRESSURE TEST

### • SPECIFICATION

Oil temperature  $40 \pm 6^{\circ}\text{C}$  ( $100 \pm 10^{\circ}\text{F}$ )

Engine speed Low idle

Begin metering  $1/4$ " of lever travel

Pressure in detent :

Boom float detent 2.2MPa(22bar)

Pressure at feel position\*:

Boom power down 19~22bar

Boom raise 19~22bar

Bucket rollback 19~22bar

Bucket dump 19~22bar

### • GAUGE AND TOOL

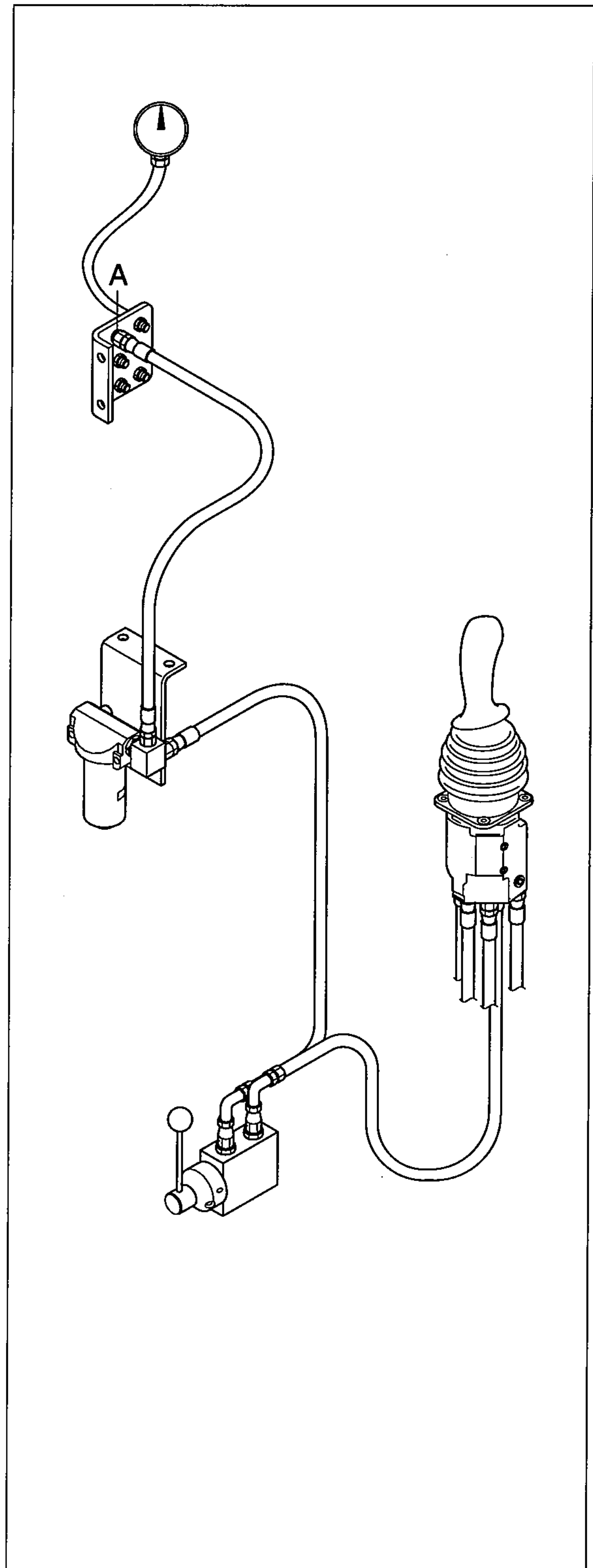
Gauge 0~7MPa(0~70bar, 0~1000psi)

- ★ As the control lever is moved from neutral, the pilot pressure will suddenly jump up to approximately 5.8bar at  $1/4$ in travel. The pressure should then increase smoothly to the specification at the FEEL position(or  $3/4$  lever travel), and then jump up about 315psi as the lever is moved into detent.

This test will determine if adequate pilot pressure is available to move the loader control valve spools.

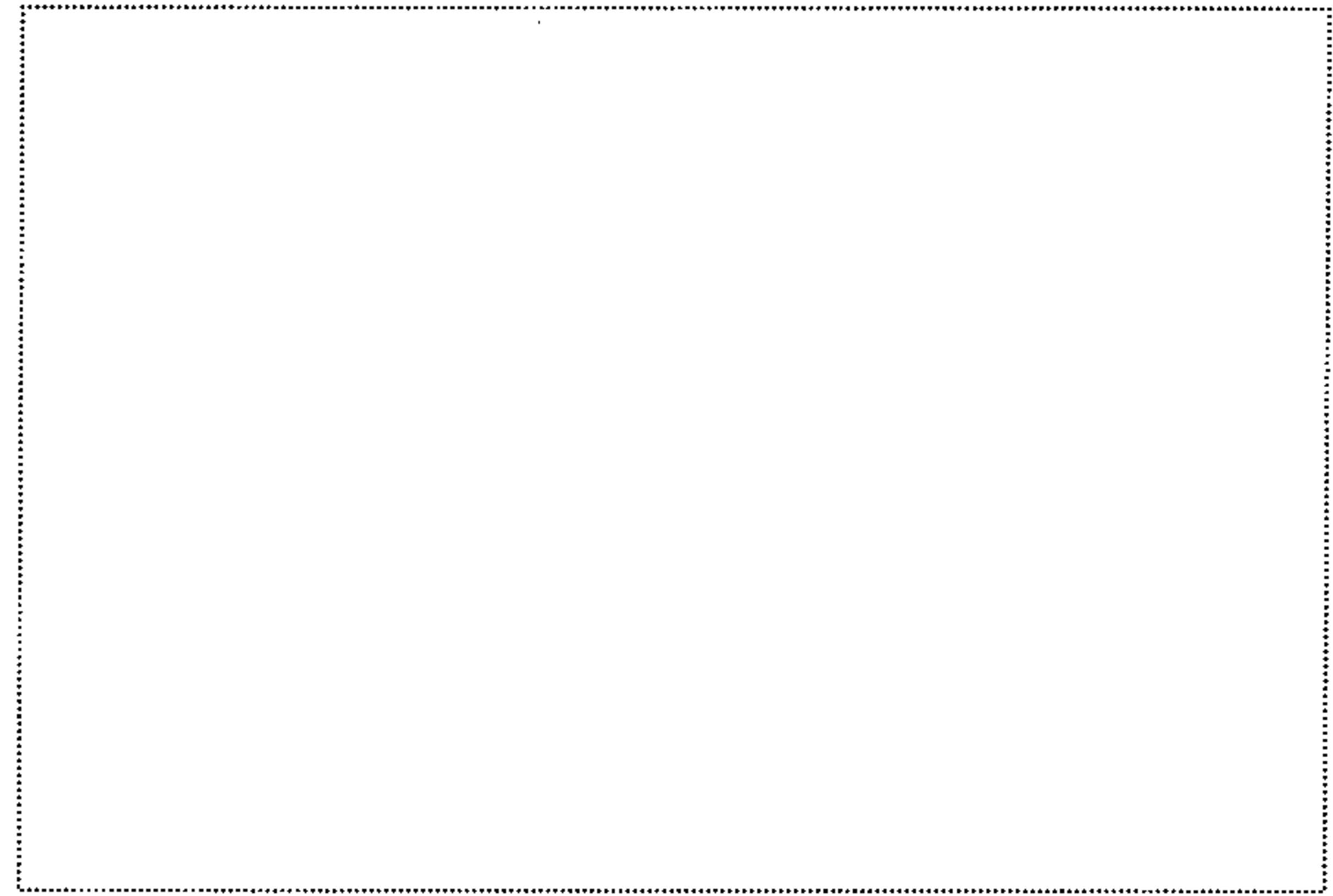
- ※ **The FEEL position is when lever is moved to feel the ramp of the detent before lever passes into detent position.**

- 1) Lower boom to ground.
- 2) Connect gauge to the pilot pressure port(A) of function to be checked.
- 3) Install temperature reader.(See temperature reader installation procedure in this group.)
- 4) Heat hydraulic oil to specification.(See hydraulic oil warm up procedure in this group.)



5) Run engine at specification. Activate function to be checked and record pressure reading.

※ **If boom raise or bucket rollback FEEL positions are not operation due to boom or bucket position, plug boom float detent wires into bucket leveler solenoid or boom height kickout solenoid. This will provide a feel position on the control lever.**



## 11. PILOT OIL SUPPLY UNIT PRESSURE TEST

### • SPECIFICATION

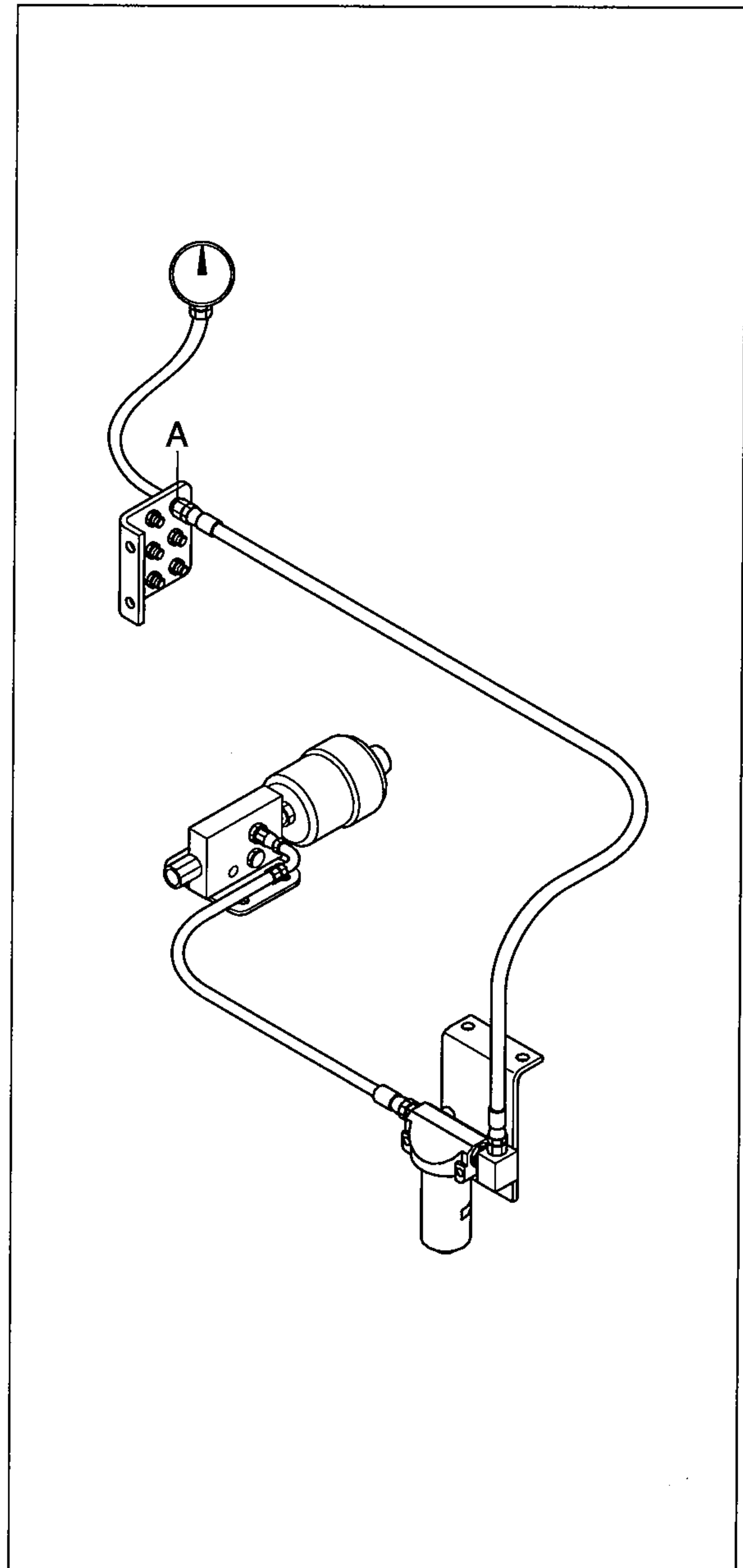
Oil temperature	40±6°C(100±10°F)
Engine speed	Low idle and stop
Pilot pressure setting	30~35bar(430~500psi)
Relief valve setting pressure	45bar
Accumulator precharging pressure	16bar

### • GAUGE AND TOOL

Gauge 0~7MPa(0~70bar, 0~1000psi)

The pilot supply unit consist of the pressure reducing valve, the relief valve and an accumulator. This regulates pressure to the pilot control circuit.

- 1) Connect gauge to test port(A) on the block.
- 2) Install temperature reader.(See temperature reader installation procedure in this group.)
- 3) Heat hydraulic oil to specification.(See hydraulic oil warm up procedure in this group.)
- 4) Run engine at low idle for 1 minute and stop engine, wait for 5 minutes. Then start measuring.
- 5) If pressure in not within specifications, replace valve. The valve is staked and should not be adjusted.



## 12. CYCLE TIME TEST

- **SPECIFICATION**

Oil temperature -----  $65 \pm 6^{\circ}\text{C}$  ( $150 \pm 10^{\circ}\text{F}$ )

Engine speed ----- High idle

Function	Operating conditions	Maximum cycle time(Seconds)
Boom raise	Bucket flat on ground to full height	7.0
Boom lower(Float)	Full height to ground level	4.0
Bucket dump	Boom at full height	2.5
Bucket rollback	Boom at full height	2.0
Steering(Number of turns)	Frame stop to stop	2.5(5 turns)

Hydraulic pump performance cycle time.

Function	Operating conditions	Maximum cycle time(Seconds)
Boom raise	Bucket flat on ground to full height while holding steering over relief	9.0

### 13. HYDRAULIC OIL FILTER INSPECTION PROCEDURE

- 1) Lower the bucket to the ground, stop the engine, move the control lever back and forth several times, and clean all over the upper surface of the hydraulic oil tank.
  - 2) Remove the bolts(1) and take out the filter case cover(3) and O-ring(4).
  - 3) Remove the spring(5) and bypass valve(6).
  - 4) Remove the filter element(7) from the tank.
  - 5) Check the element and the filter case bottom for debris. Excessive amounts of brass and steel particles can indicate a failed hydraulic pump or a pump failure in process. A rubber type of material can indicated cylinder packing or other packing failure.
- ※ **The hydraulic oil filter in the filter case of the hydraulic oil tank should be replaced every 250 operating hours(For the first replacement, at 50 hours) or more often. When the filter element is replaced, please keep as follows.**

- (1) Clean the inside of the filter case.
- (2) Place new element in the proper positions inside the filter case.
- (3) Install the bypass valve and spring. Make sure the element stand upright, and check for complete contact of the element bottom with the filter case bottom.
- (4) Install the O-ring and filter case covers. Tighten them with bolt. Replace the O-ring with new one if damaged.

