

## GROUP 5 CONNECTORS

### 1. CONNECTOR DESTINATION

Connector number	Type	No. of pin	Destination	Connector part No.	
				Female	Male
CN-4	DEUTSCH	60	I/conn (Dashboard harness-Main harness)	DRB16-60SBE-L018	DRB12-60PBE-L018
CN-5	DEUTSCH	48	I/conn (Frame harness-Main harness)	DRB16-48SAE-L018	DRB12-48PAE-L018
CN-6	DEUTSCH	60	I/conn (Frame harness-Main harness)	DRB16-60SAE-L018	DRB12-60PAE-L018
CN-7	AMP	15	I/conn (Main harness-Cab harness)	2-85262-1	368301-1
CN-9	AMP	12	I/conn (Cab harness-Main harness)	2-85262-1	368301-1
CN-10	DEUTSCH	24	I/conn (Frame harness-Front harness)	HD34-24-23PE	HD36-24-23SE
CN-11	DEUTSCH	8	I/conn (Main harness-Aircon harness)	DT06-8S	DT04-8P
CN-12	AMP	15	I/conn (Frame harness-Bottom harness)	2-85262-1	368301-1
CN-13	DEUTSCH	12	I/conn (Frame harness-Engine harness)	DT06-12S	DT04-12P
CN-14	DEUTSCH	12	I/conn (Frame harness-Grill harness)	DT06-12S	DT04-12P
CN-19	Econoseal J	6	I/conn (Emer steer harness-Front harness)	S816-006002	S816-106602
CN-20	MOLEX	2	Horn	36825-0211	-
CN-21	AMP	6	Front wiper motor	936257-1	-
CN-22	KET	2	Front washer tank	MG640605	-
CN-23	KET	2	Speaker (LH)	7123-1520	-
CN-24	KET	2	Speaker (RH)	7123-1520	-
CN-25	MOLEX	2	Horn	36825-0211	-
CN-26	250	2	Warning buzzer	S810-002202	-
CN-27	MK II	16	Radio and MP3 player	PK145-16017	-
CN-27A	MK II	8	USB connector	174984-2	-
CN-27B	-	10	USB port	316988-6	-
CN-28	NMWP	1	Aircon compressor	PB625-01027	-
CN-29	KET	2	Receiver drier	MG640795	-
CN-36	-	-	Fuse & relay box	21Q7-10910	-
CN-45	Ring term	-	Starter	R14-12	ST 710246-2
CN-50	PACKARD	2	Fuel warmer	1530-0027	1530-0002
CN-56	AMP	20	Cluster	0700910	-
CN-57	AMP	20	Monitor	174047-2	-
CN-58A	DEUTSCH	40	MCU	DRC26-40-SA	-
CN-58B	DEUTSCH	40	MCU	DRC26-40-SB	-
CN-60	58	2	Fusible link	-	S813-130200
CN-65	DEUTSCH	2	Back up buzzer	DT06-2S	-
CN-71	DEUTSCH	2	Parking solenoid	DT06-2S-EP06	-

Connector number	Type	No. of pin	Destination	Connector part No.	
				Female	Male
CN-74	PACKARD	2	Alternator	1218-6568	-
CN-79	PACKARD	3	Engine stop solenoid	1212-4685	-
CN-80	PACKARD	1	Preheater	-	R14-6
CN-83	NMWP	2	Aircon fan	PB625-02027	-
CN-95	-	-	Fusible link	07 00960	-
CN-96	PACKARD	2	Fuel heater	2-967325-3	-
CN-99	DEUTSCH	2	Resister	DT04-3P-EP10	-
CN-100	-	3	Boom kick out	S816-003002	S816-103002
CN-101	DEUTSCH	3	Bucket leveler	DT06-3S	-
CN-101A	-	3	Bucket leveler	-	S816-103002
CN-102	AMP	6	Rear wiper motor	936257-1	-
CN-103	KET	2	Rear washer tank	MG640605	-
CN-112	-	16	Gear box	21L7-60290	-
CN-114	-	6	Joystick	1-480704-0	-
CN-125	DEUTSCH	12	Remote management	DT06-12S	DT04-12P
CN-126	DEUTSCH	9	Data link	HD10-9-96P	-
CN-127	DEUTSCH	4	MCU	-	DT04-4P-E005
CN-127A	DEUTSCH	4	MCU	DT06-4S-EP06	DT04-4P-E005
CN-127B	DEUTSCH	4	Monitor	DT06-4S-EP06	DT04-4P-E005
CN-127C	DEUTSCH	4	Cluster	DT06-4S-EP06	DT04-4P-E005
CN-134		6	Data link	-	1-480705-0
CN-136	AMP	2	Ride control solenoid	85202-1	-
CN-138	250	3	DC/DC Converter	S810-003202	-
CN-139	250	2	12V socket	S810-002202	-
CN-141	Econoseal J	6	I/conn (Ride control harness-Front harness)	S816-006002	S816-106002
CN-149	DEUTSCH	2	Mirror heater (LH)	DT06-2S-EP06	DT04-2P-E005
CN-150	DEUTSCH	2	Mirror heater (RH)	DT06-2S-EP06	DT04-2P-E005
CN-154	AMP	2	Fan speed solenoid	85202-5	-
CN-155	AMP	2	Fan reverse solenoid	85202-1	-
CN-157	AMP	60	T/M control unit	962175	-
CN-158	PACKARD	4	Gear shift lever	-	1201-0974
CN-159	PACKARD	4	Gear shift lever	1201-5797	-
CN-160	-	16	Joystick lever	368047-1	-
CN-170	250	2	Seat heater	S810-002202	-
CN-171	250	2	Service socket	S810-002202	-
CN-172	250	2	Service socket	S810-002202	-

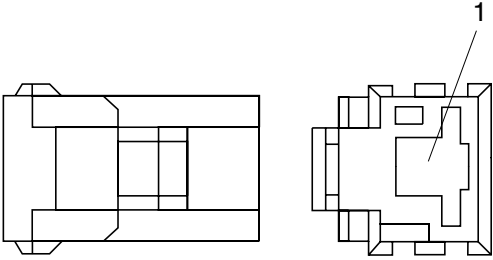
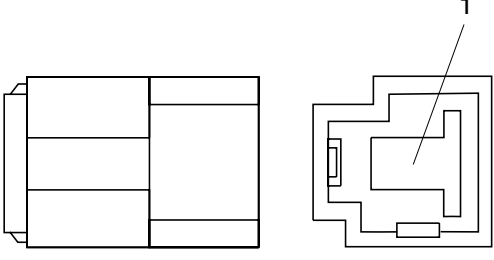
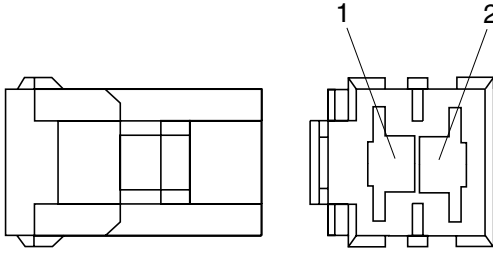
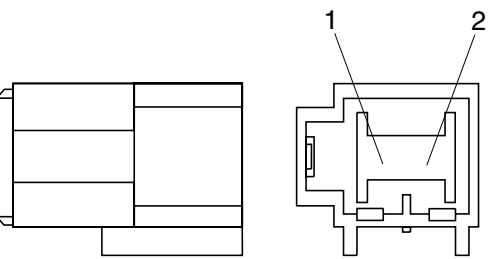
Connector number	Type	No. of pin	Destination	Connector part No.	
				Female	Male
CN-244	DEUTSCH	3	PTC CAN2	DT06-3S-E008	DT04-3P-EP10
CN-245	HES	2	PTC power	S813-030201	-
CN-246	KET	1	PTC power	MG610658-5	MG620659-5
CN-249	DEUTSCH	4	Camera	DT06-4S	DT04-4P
CN-250	Econoseal J	4	Rear view camera	S816-004002	S816-104002
Relay					
CR-1	Ring term	-	Battery relay	S820-104002	-
CR-2	AMP	5	Horn relay	VCFM-1002	-
CR-3	AMP	5	Front work lamp relay	VCFM-1002	-
CR-4	AMP	5	Wiper relay (Hi)	VCFM-1002	-
CR-5	HELLA	5	Safety relay	8JA003526-001	-
CR-7	AMP	5	Aircon relay	VCFM-1002	-
CR-11	HELLA	1	Flasher unit	8JA003526-001	-
CR-23	Ring term	-	Start relay	ST 710289-2	ST 710384-2
CR-24	Shur	1	Preheater relay	S822-014000	R14-6
CR-26	AMP	5	Wiper relay (low)	VCFM-1002	-
CR-36	AMP	5	Preheater relay	VCFM-1002	-
CR-39	Ring term	-	Emergency steering pump relay	S820-104000	DT04-2P
CR-46	HELLA	5	Fuel warmer relay	8JA003526-001	-
CR-55	AMP	5	Rear work lamp relay	VCFM-1002	-
CR-56	KET	4	Mirror heat relay	MG610047-1	-
CR-58	AMP	5	Back up relay	VCFM-1002	-
CR-63	AMP	5	Stop lamp relay	VCFM-1002	-
Switch					
CS-1	Shur	1	Door switch	S822-014004	-
CS-2	SWP	6	Start key switch	S814-006000	-
CS-5	Shur	1	Horn switch	S822-014000	-
CS-5A	-	1	Multi function switch	S822-014000	-
CS-11	SWP	8	Multi function switch	S814-008000	-
CS-12	SWP	6	Multi function switch	S814-006000	-
CS-17	SWF	12	Parking switch	589790	-
CS-21	SWF	12	Main light switch	589790	-
CS-23	SWF	12	Beacon switch	589790	-
CS-27B	AMP	10	USB port	316988-6	-
CS-35	SWF	12	Rear wiper	589790	-
CS-36	SWF	12	Work lamp switch	589790	-
CS-41	SWF	12	Hazard switch	589790	-

Connector number	Type	No. of pin	Destination	Connector part No.	
				Female	Male
CS-42	DEUTSCH	3	Clutch cut off dial switch	-	DT06-3S-E008
CS-55	SWF	12	Ride control switch	589790	-
CS-59	DEUTSCH	3	Transmission shift dial switch	-	DT06-3S-E008
CS-73	SWF	12	Fan reverse switch	589790	-
CS-74A	58	2	Master switch	S813-030200	-
CS-74B	DEUTSCH	2	Master switch	DT06-2S	-
CS-75	SWF	12	Emergency steering test switch	589790	-
CS-76	SWF	12	Mirror heater switch	589790	-
CS-77	SWF	12	Attachment lock switch	589790	-
CS-78	SWF	12	Attachment unlock switch	589790	-
CS-82	SWF	12	Seat heater switch	589790	-
Light					
CL-1	KET	3	Room lamp	MG651032	-
CL-2	250	3	Cigar lighter	S810-001202	-
CL-3	DEUTSCH	6	Head light (LH)	DT06-6S	-
CL-4	DEUTSCH	4	Head light (RH)	DT06-6S	-
CL-5	DEUTSCH	2	Work light (LH)	DT06-2S-EP06	-
CL-6	DEUTSCH	2	Work light (RH)	DT06-2S-EP06	-
CL-7	250	2	Beacon lamp	S810-002202	-
CL-15	SWP	4	Combi lamp (RR, LH)	S814-004000	-
CL-16	SWP	4	Combi lamp (RR, RH)	S814-004000	-
CL-21	SWP	2	Numberplate lamp	S814-002000	-
CL-22	DEUTSCH	2	Work light (LH)	DT06-2S	-
CL-23	DEUTSCH	2	Work light (RH)	DT06-2S	-
CL-24	SWP	2	Turn lamp (LH)	S814-002000	-
CL-25	SWP	2	Turn lamp (RH)	S814-002000	-
CL-30	KET	2	Room lamp	MG610392	-
CL-32	DEUTSCH	2	Rear work light (RH)	DT06-2S-EP06	DT04-2P-E005
CL-33	DEUTSCH	2	Rear work light (LH)	DT06-2S-EP06	DT04-2P-E005
CL-35	DEUTSCH	2	Front work lamp (LH), option	DT06-2S-EP06	-
CL-36	DEUTSCH	2	Front work lamp (RH), option	DT06-2S-EP06	-

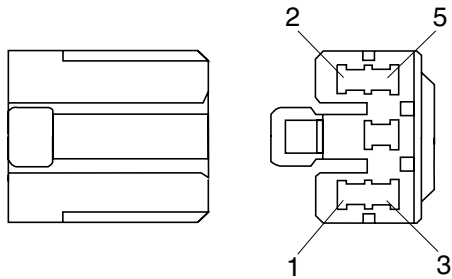
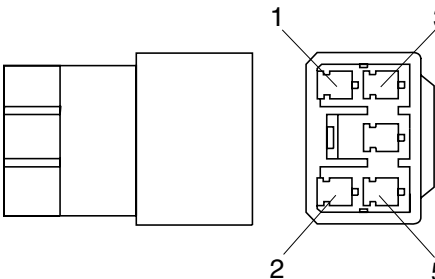
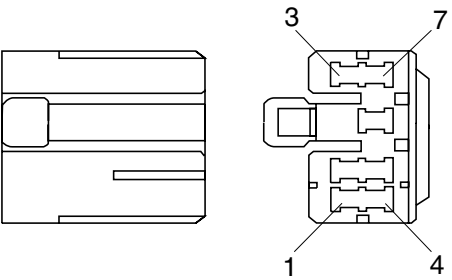
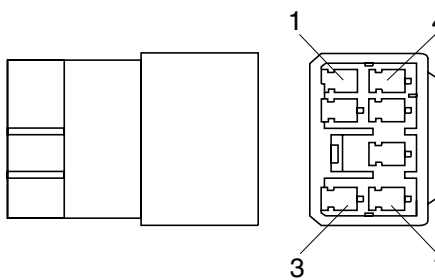
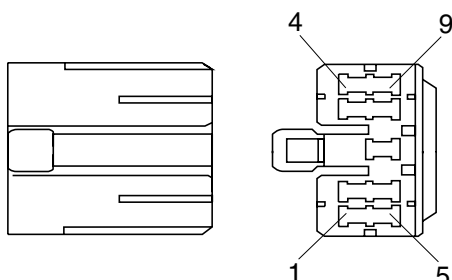
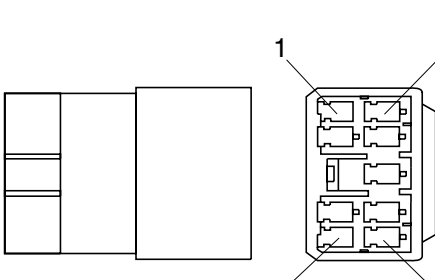
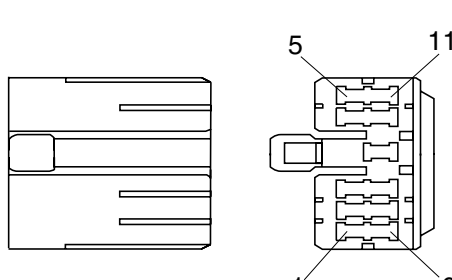
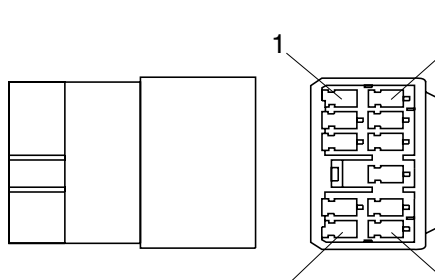
Connector number	Type	No. of pin	Destination	Connector part No.	
				Female	Male
Sensor, sender					
CD-1	AMP	2	Hydraulic oil temp sensor	85202-1	-
CD-2	SWP	2	Fuel sensor	S814-002000	-
CD-3	DEUTSCH	3	Brake fail pressure switch	DT06-3S	-
CD-4	DEUTSCH	3	Stop lamp pressure switch	DT06-3S	-
CD-5	PACKARD	3	Clutch cut off pressure switch	-	1215793
CD-10	Ring term	2	Air cleaner switch	GP890469	-
CD-17	AMP	2	Engine pick-up sensor	85202-1	-
CD-18	-	1	Engine oil pressure switch	S820-104000	-
CD-26	DEUTSCH	3	Parking pressure switch	DT06-3S	-
CD-27	AMP	2	Turbin pick up sensor	85202-1	-
CD-39	DEUTSCH	3	Main pump pressure switch	DT06-3S	-
CD-40	DEUTSCH	3	Steering pump pressure switch	DT06-3S	-
CD-41	DEUTSCH	4	Boom down position switch	DT06-4S	-
CD-45	DEUTSCH	2	WIF sensor	DT06-2S-EP06	-
CD-46	AMP	3	Output speed sensor	282087	-
CD-47	AMP	2	Gear chain sensor	85202-5	-
CD-48	AMP	2	Oil filter	282080	-
CD-49	AMP	2	Converter sensor	85202-1	-
CD-73	AMP	2	Speed sensor	174352-2	-

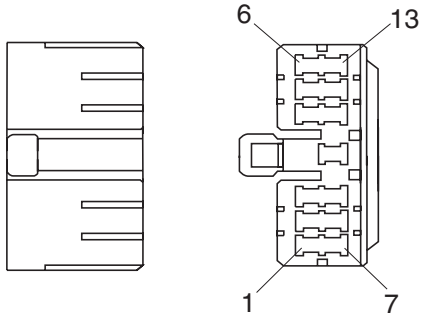
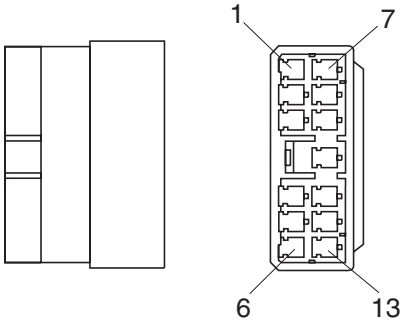
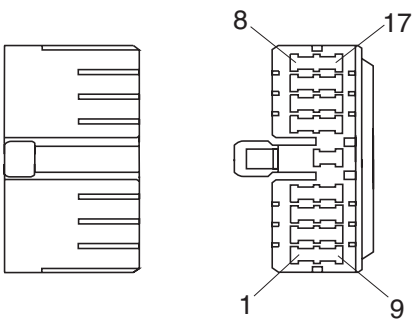
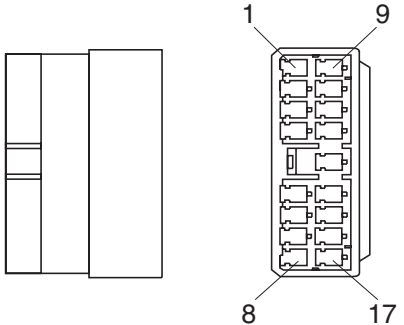
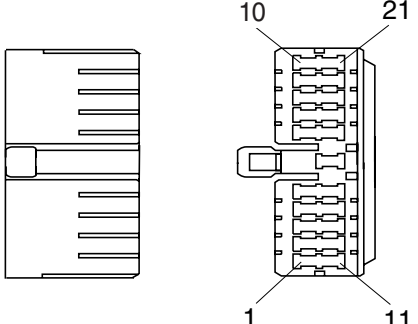
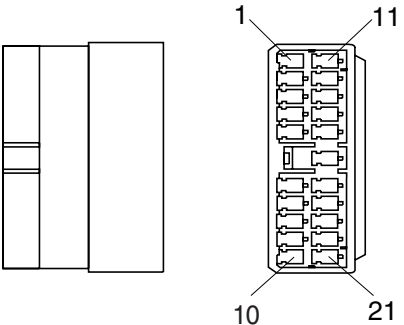
## 2. CONNECTION TABLE FOR CONNECTORS

### 1) 58-L TYPE CONNECTOR

No. of pin	Receptacle connector (female)	Plug connector (male)
1	 <p data-bbox="699 728 842 757">S813-030100</p>	 <p data-bbox="1265 728 1409 757">S813-130100</p>
2	 <p data-bbox="699 1137 842 1167">S813-030200</p>	 <p data-bbox="1265 1137 1409 1167">S813-130200</p>

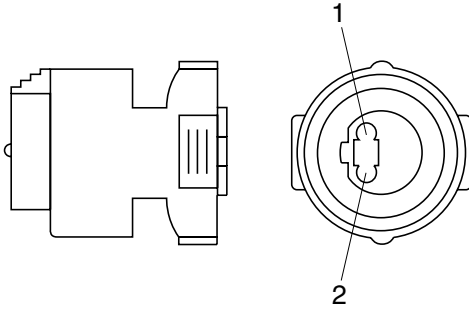
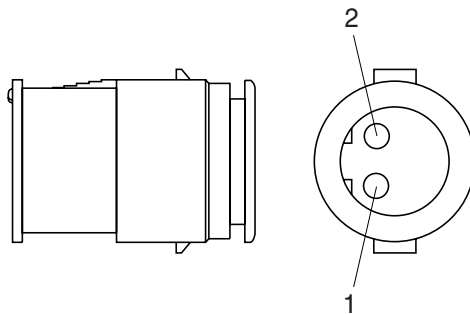
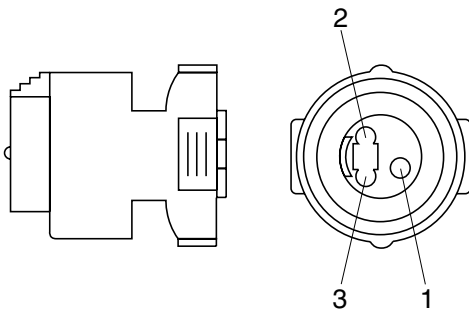
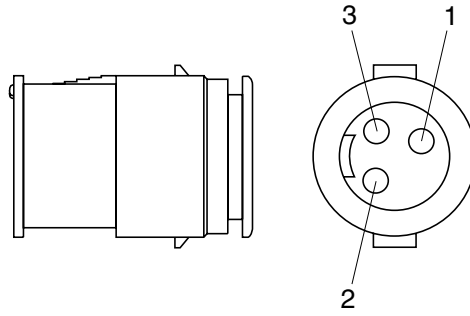
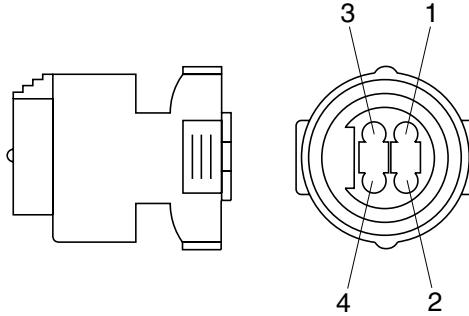
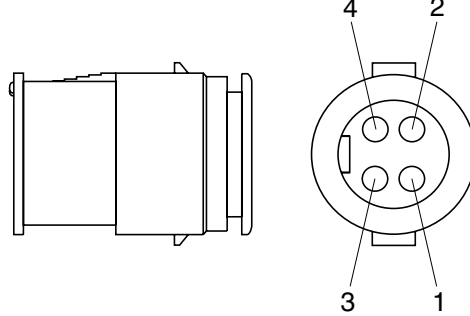
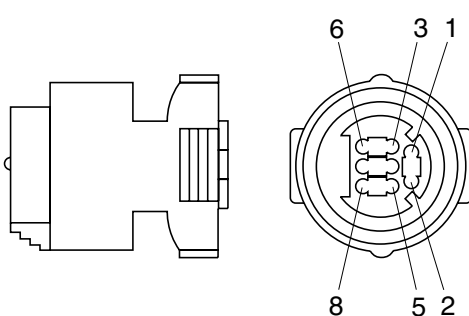
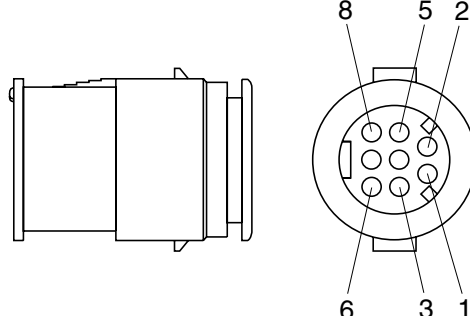
## 2) PA TYPE CONNECTOR

No. of pin	Receptacle connector (female)	Plug connector (male)
5	 <p data-bbox="683 674 831 703">S811-005002</p>	 <p data-bbox="1262 674 1410 703">S811-105002</p>
7	 <p data-bbox="683 1079 831 1108">S811-007002</p>	 <p data-bbox="1262 1079 1410 1108">S811-107002</p>
9	 <p data-bbox="683 1485 831 1514">S811-009002</p>	 <p data-bbox="1262 1485 1410 1514">S811-109002</p>
11	 <p data-bbox="683 1890 831 1919">S811-011002</p>	 <p data-bbox="1262 1890 1410 1919">S811-111002</p>

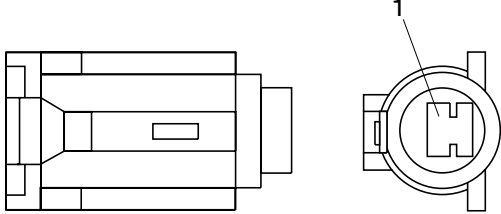
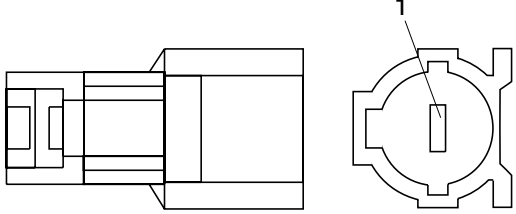
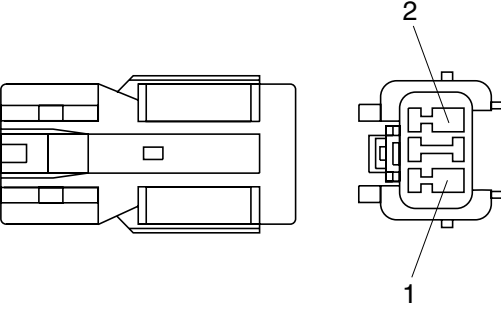
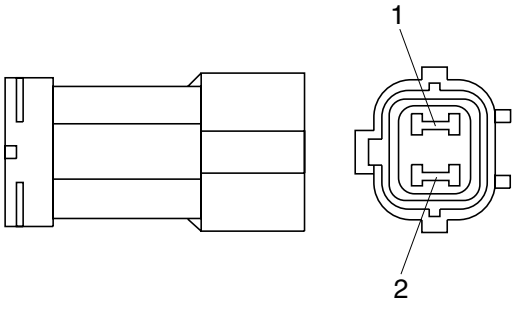
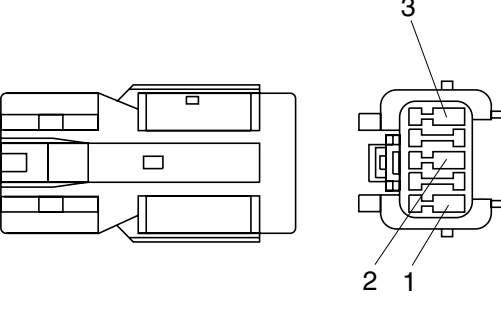
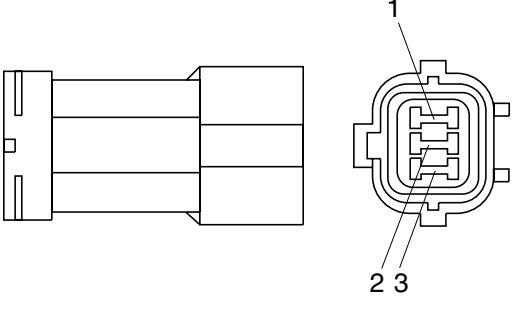
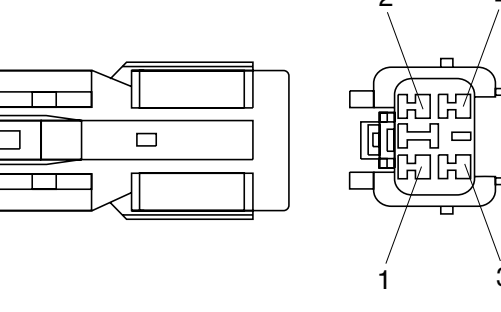
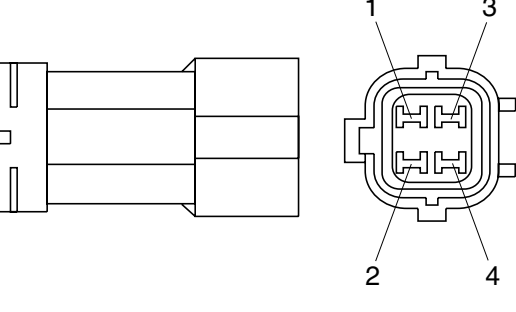
No. of pin	Receptacle connector (female)	Plug connector (male)
13	 <p data-bbox="691 633 839 663">S811-013002</p>	 <p data-bbox="1265 633 1414 663">S811-113002</p>
17	 <p data-bbox="691 1041 839 1070">S811-017002</p>	 <p data-bbox="1265 1041 1414 1070">S811-117002</p>
21	 <p data-bbox="691 1444 839 1473">S811-021002</p>	 <p data-bbox="1265 1444 1414 1473">S811-121002</p>

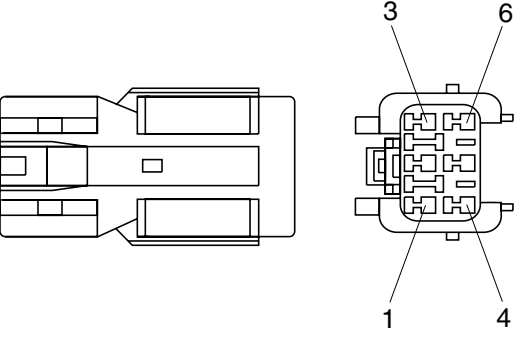
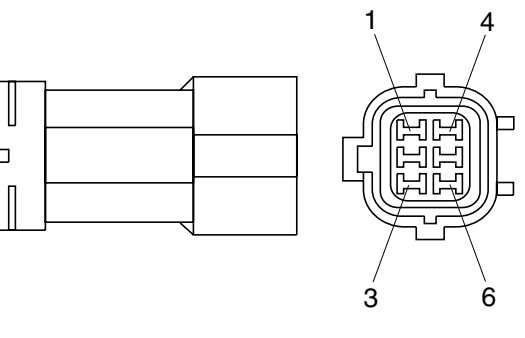
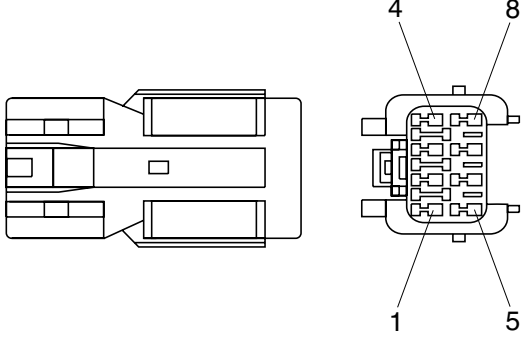
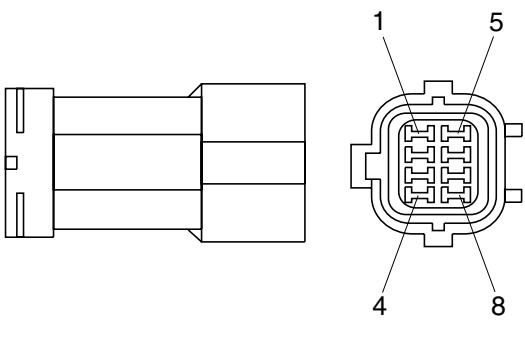
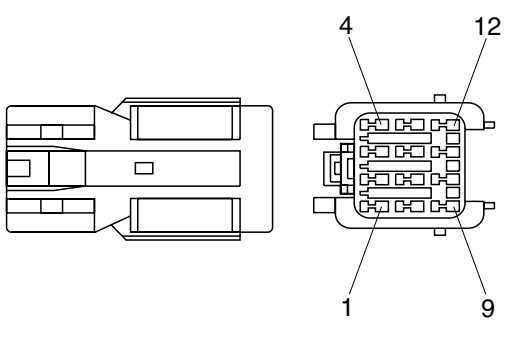
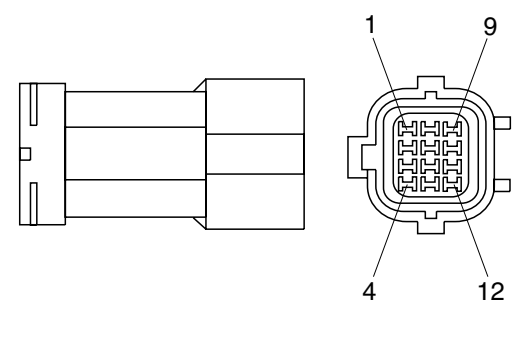
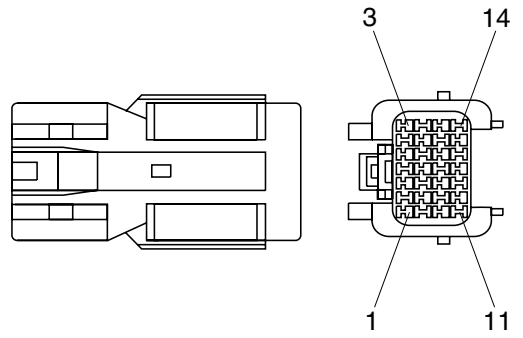
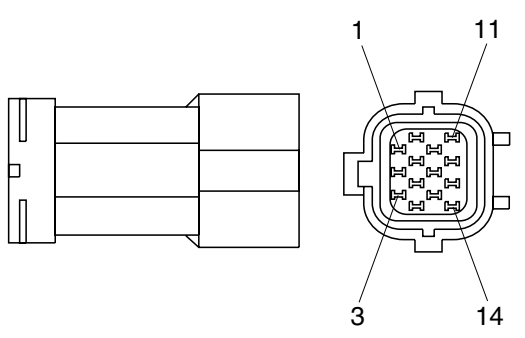


### 3) J TYPE CONNECTOR

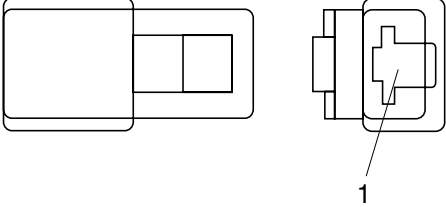
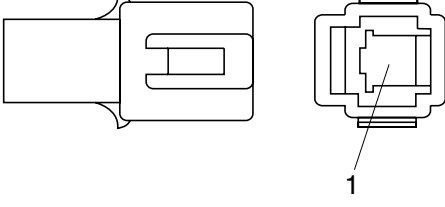
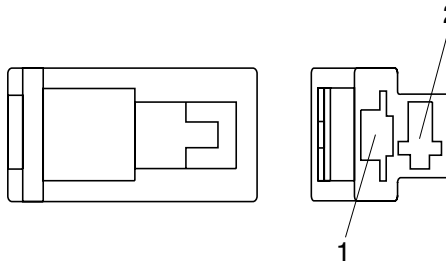
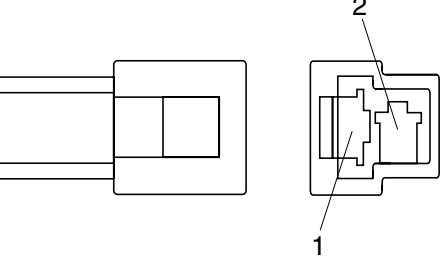
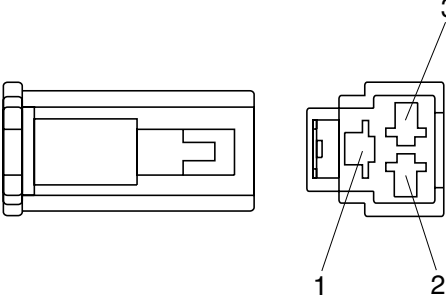
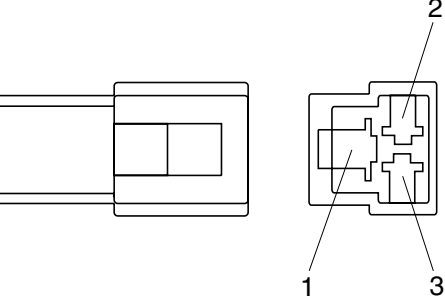
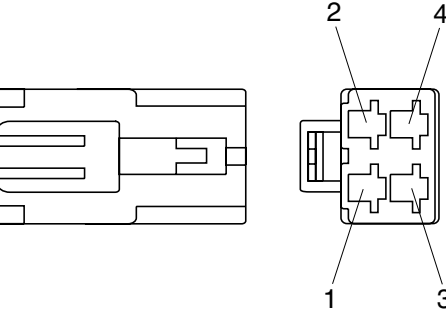
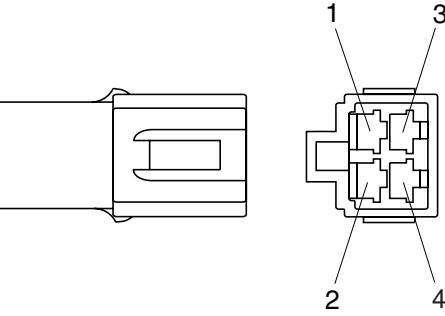
No. of pin	Receptacle connector (female)	Plug connector (male)
2	 <p style="text-align: center;">S816-002001</p>	 <p style="text-align: center;">S816-102001</p>
3	 <p style="text-align: center;">S816-003001</p>	 <p style="text-align: center;">S816-103001</p>
4	 <p style="text-align: center;">S816-004001</p>	 <p style="text-align: center;">S816-104001</p>
8	 <p style="text-align: center;">S816-008001</p>	 <p style="text-align: center;">S816-108001</p>

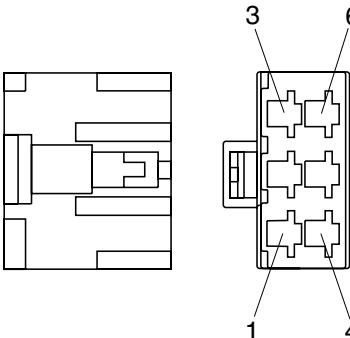
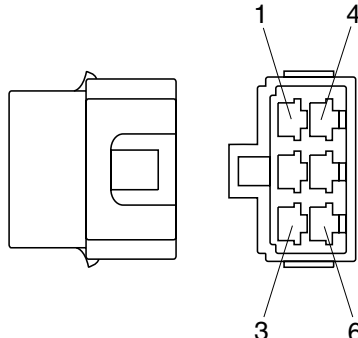
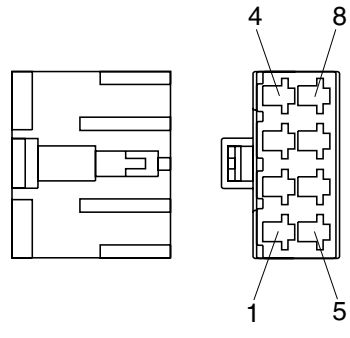
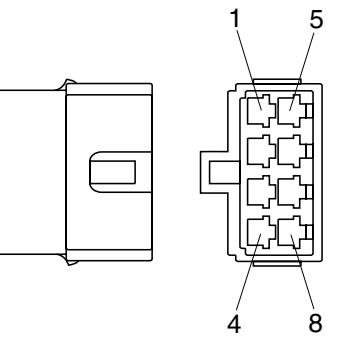
#### 4) SWP TYPE CONNECTOR

No. of pin	Receptacle connector (Female)	Plug connector (male)
1	 <p data-bbox="687 680 836 707">S814-001000</p>	 <p data-bbox="1241 680 1390 707">S814-101000</p>
2	 <p data-bbox="687 1088 836 1115">S814-002000</p>	 <p data-bbox="1241 1088 1390 1115">S814-102000</p>
3	 <p data-bbox="687 1498 836 1525">S814-003000</p>	 <p data-bbox="1241 1498 1390 1525">S814-103000</p>
4	 <p data-bbox="687 1908 836 1935">S814-004000</p>	 <p data-bbox="1241 1908 1390 1935">S814-104000</p>

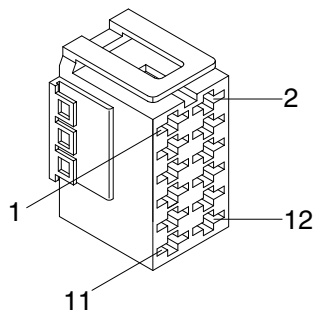
No. of pin	Receptacle connector (female)	Plug connector (male)
6	 <p data-bbox="686 627 837 660">S814-006000</p>	 <p data-bbox="1260 627 1412 660">S814-106000</p>
8	 <p data-bbox="686 1030 837 1064">S814-008000</p>	 <p data-bbox="1260 1030 1412 1064">S814-108000</p>
12	 <p data-bbox="686 1438 837 1471">S814-012000</p>	 <p data-bbox="1260 1438 1412 1471">S814-112000</p>
14	 <p data-bbox="686 1845 837 1879">S814-014000</p>	 <p data-bbox="1260 1845 1412 1879">S814-114000</p>

### 5) CN TYPE CONNECTOR

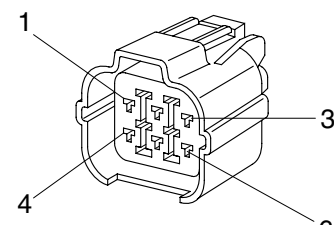
No. of pin	Receptacle connector (female)	Plug connector (male)
1	 <p data-bbox="687 678 834 707">S810-001202</p>	 <p data-bbox="1262 678 1409 707">S810-101202</p>
2	 <p data-bbox="687 1081 834 1111">S810-002202</p>	 <p data-bbox="1262 1081 1409 1111">S810-102202</p>
3	 <p data-bbox="687 1491 834 1520">S810-003202</p>	 <p data-bbox="1262 1491 1409 1520">S810-103202</p>
4	 <p data-bbox="687 1895 834 1924">S810-004202</p>	 <p data-bbox="1262 1895 1409 1924">S810-104202</p>

No. of pin	Receptacle connector (female)	Plug connector (male)
6	 <p data-bbox="686 638 837 672">S810-006202</p>	 <p data-bbox="1244 638 1396 672">S810-106202</p>
8	 <p data-bbox="686 1041 837 1075">S810-008202</p>	 <p data-bbox="1244 1041 1396 1075">S810-108202</p>

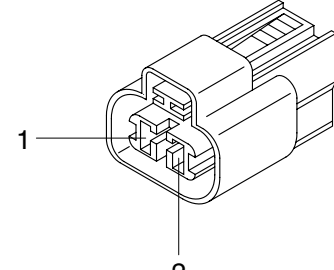
### 6) ITT SWF CONNECTOR

No. of pin	Receptacle connector (female)	Plug connector (male)
10	 <p style="text-align: right;">SWF589790</p>	

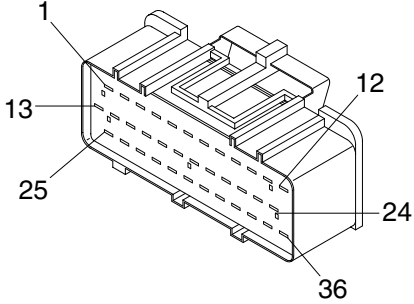
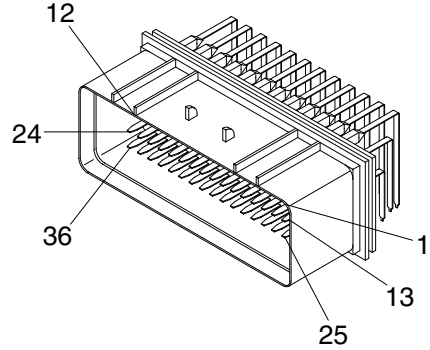
### 7) HW090 SEALED CONNECTOR

No. of pin	Receptacle connector (female)	Plug connector (male)
6	 <p style="text-align: right;">6189-0133</p>	

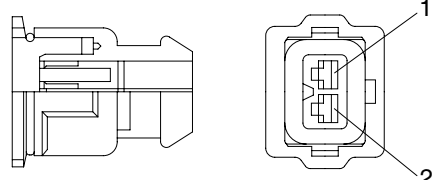
### 8) MWP02F-B CONNECTOR

No. of pin	Receptacle connector (female)	Plug connector (male)
2	 <p style="text-align: right;">PH805-02028</p>	

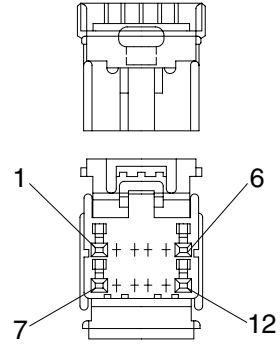
**9) AMP ECONOSEAL CONNECTOR**

No. of pin	Receptacle connector (female)	Plug connector (male)
36	 <p style="text-align: right;">344111-1</p>	 <p style="text-align: right;">344108-1</p>

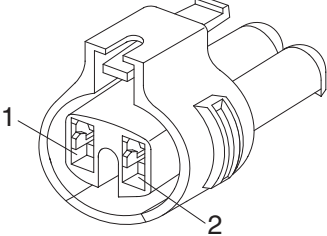
**10) AMP TIMER CONNECTOR**

No. of pin	Receptacle connector (female)	Plug connector (male)
2	 <p style="text-align: right;">85202-1</p>	

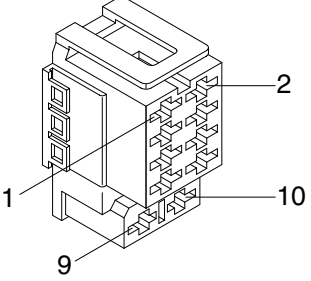
**11) AMP 040 MULTILOCK CONNECTOR**

No. of pin	Receptacle connector (female)	Plug connector (male)
12	 <p style="text-align: right;">174045-2</p>	

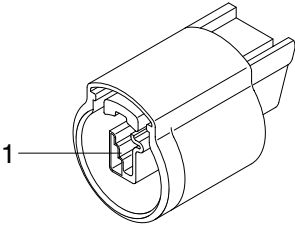
### 12) KET 090 WP CONNECTORS

No. of pin	Receptacle connector (female)	Plug connector (male)
2	 <p style="text-align: right;">MG640795</p>	

### 13) ITT SWF CONNECTOR

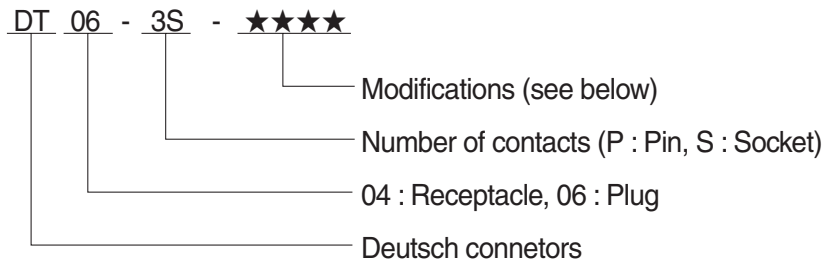
No. of pin	Receptacle connector (female)	Plug connector (male)
10	 <p style="text-align: right;">SWF593757</p>	

### 14) MWP NMWP CONNECTOR

No. of pin	Receptacle connector (female)	Plug connector (male)
1	 <p style="text-align: right;">NMWP01F-B</p>	



## 15) DEUTSCH DT CONNECTORS



※ Modification

E003 : Standard end cap - gray

E004 : Color of connector to be black

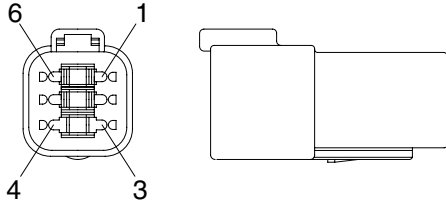
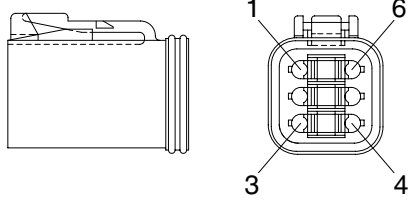
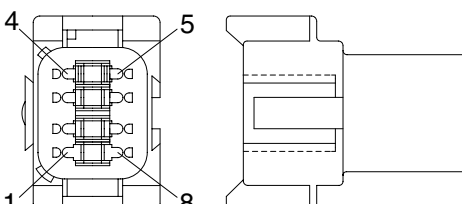
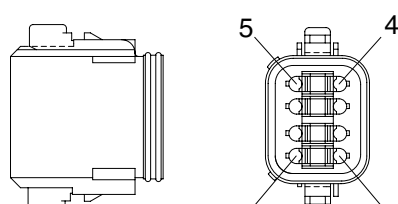
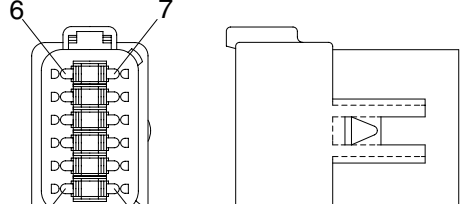
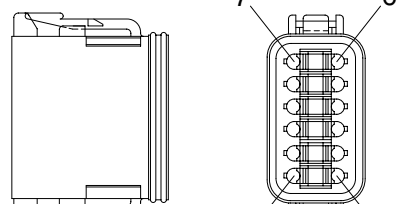
E005 : Combination - E004 & E003

EP04 : End cap

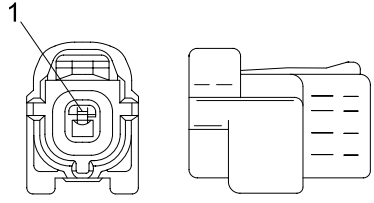
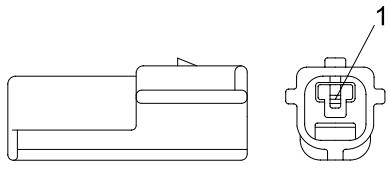
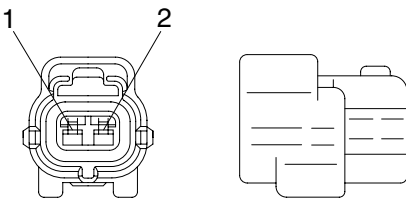
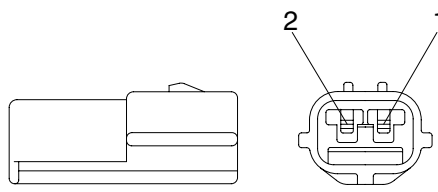
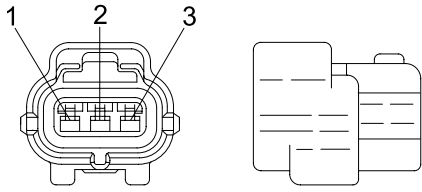
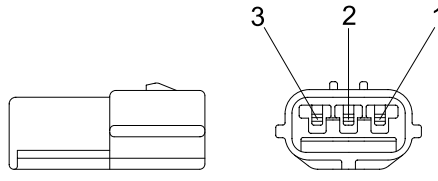
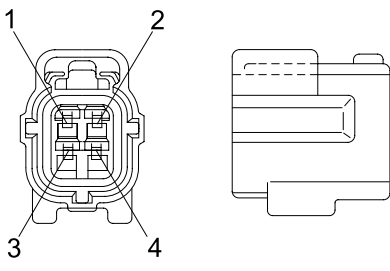
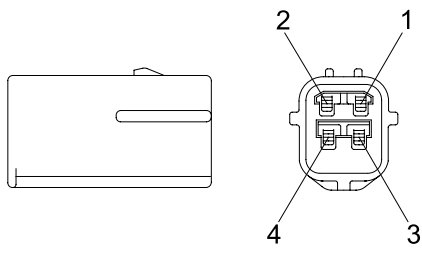
EP06 : Combination P012 & EP04

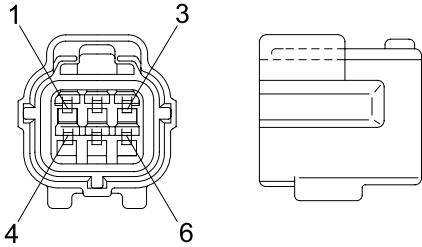
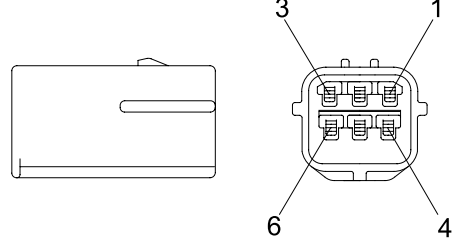
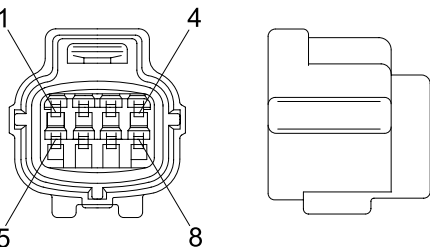
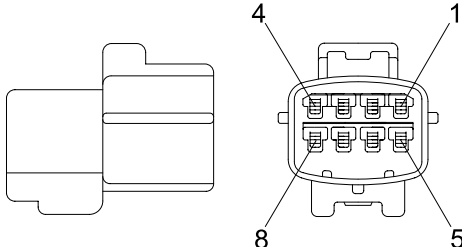
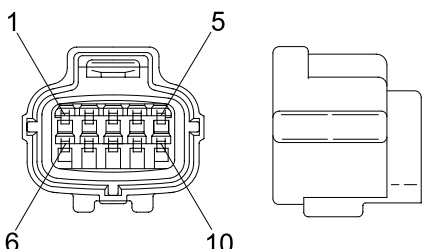
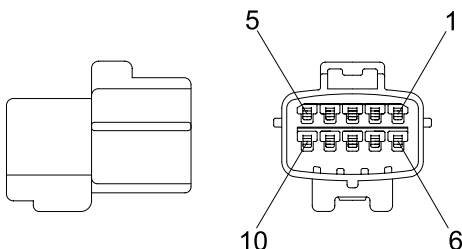
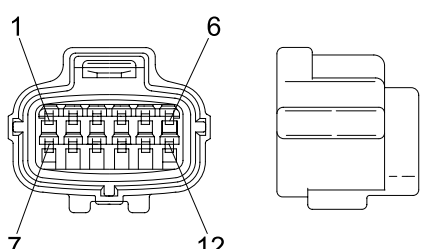
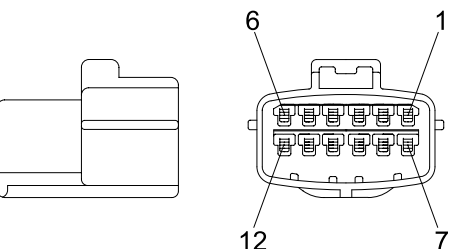
P012 : Front seal enhancement - connectors color to black for 2, 3, 4 & 6pin

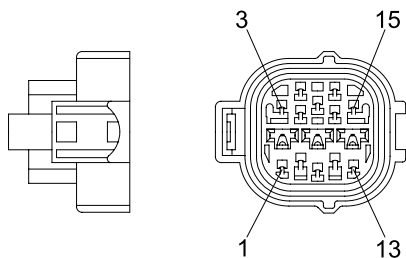
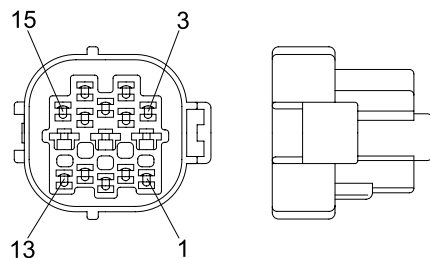
No. of pin	Receptacle connector (female)	Plug connector (male)
2	<p style="text-align: right;">DT06-2S</p>	<p style="text-align: right;">DT04-2P</p>
3	<p style="text-align: right;">DT06-3S</p>	<p style="text-align: right;">DT04-3P</p>
4	<p style="text-align: right;">DT06-4S</p>	<p style="text-align: right;">DT04-4P</p>

No. of pin	Receptacle connector (female)	Plug connector (male)
6	 <p style="text-align: right;">DT06-6S</p>	 <p style="text-align: right;">DT04-6P</p>
8	 <p style="text-align: right;">DT06-8S</p>	 <p style="text-align: right;">DT04-8P</p>
12	 <p style="text-align: right;">DT06-12S</p>	 <p style="text-align: right;">DT04-12P</p>

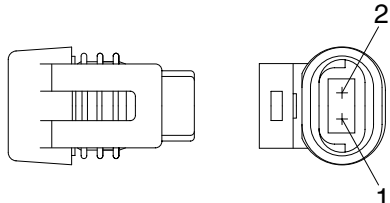
### 16) ECONOSEAL J TYPE CONNECTORS

No. of pin	Receptacle connector (female)	Plug connector (male)
1	 <p style="text-align: right;">S816-001002</p>	 <p style="text-align: left;">S816-101002</p>
2	 <p style="text-align: right;">S816-002002</p>	 <p style="text-align: left;">S816-102002</p>
3	 <p style="text-align: right;">S816-003002</p>	 <p style="text-align: left;">S816-103002</p>
4	 <p style="text-align: right;">S816-004002</p>	 <p style="text-align: left;">S816-104002</p>

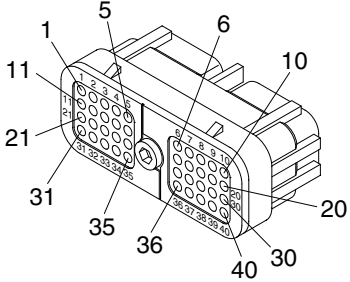
No. of pin	Receptacle connector (female)	Plug connector (male)
6	 <p data-bbox="686 638 837 672">S816-006002</p>	 <p data-bbox="1236 638 1388 672">S816-106002</p>
8	 <p data-bbox="686 1041 837 1075">S816-008002</p>	 <p data-bbox="1236 1041 1388 1075">S816-108002</p>
10	 <p data-bbox="686 1444 837 1478">S816-010002</p>	 <p data-bbox="1236 1444 1388 1478">S816-110002</p>
12	 <p data-bbox="686 1848 837 1881">S816-012002</p>	 <p data-bbox="1236 1848 1388 1881">S816-112002</p>

No. of pin	Receptacle connector (female)	Plug connector (male)
15	 <p data-bbox="730 633 834 663">368301-1</p>	 <p data-bbox="1278 633 1382 663">2-85262-1</p>

### 17) METRI-PACK TYPE CONNECTOR

No. of pin	Receptacle connector (female)	Plug connector (male)
2	 <p data-bbox="726 1236 829 1265">12040753</p>	

### 18) DEUTSCH MCU CONNECTOR

No. of pin	Receptacle connector (Female)	Plug connector (Male)
40	 <p data-bbox="639 1839 839 1868">DRC26-40SA/B/C</p>	