

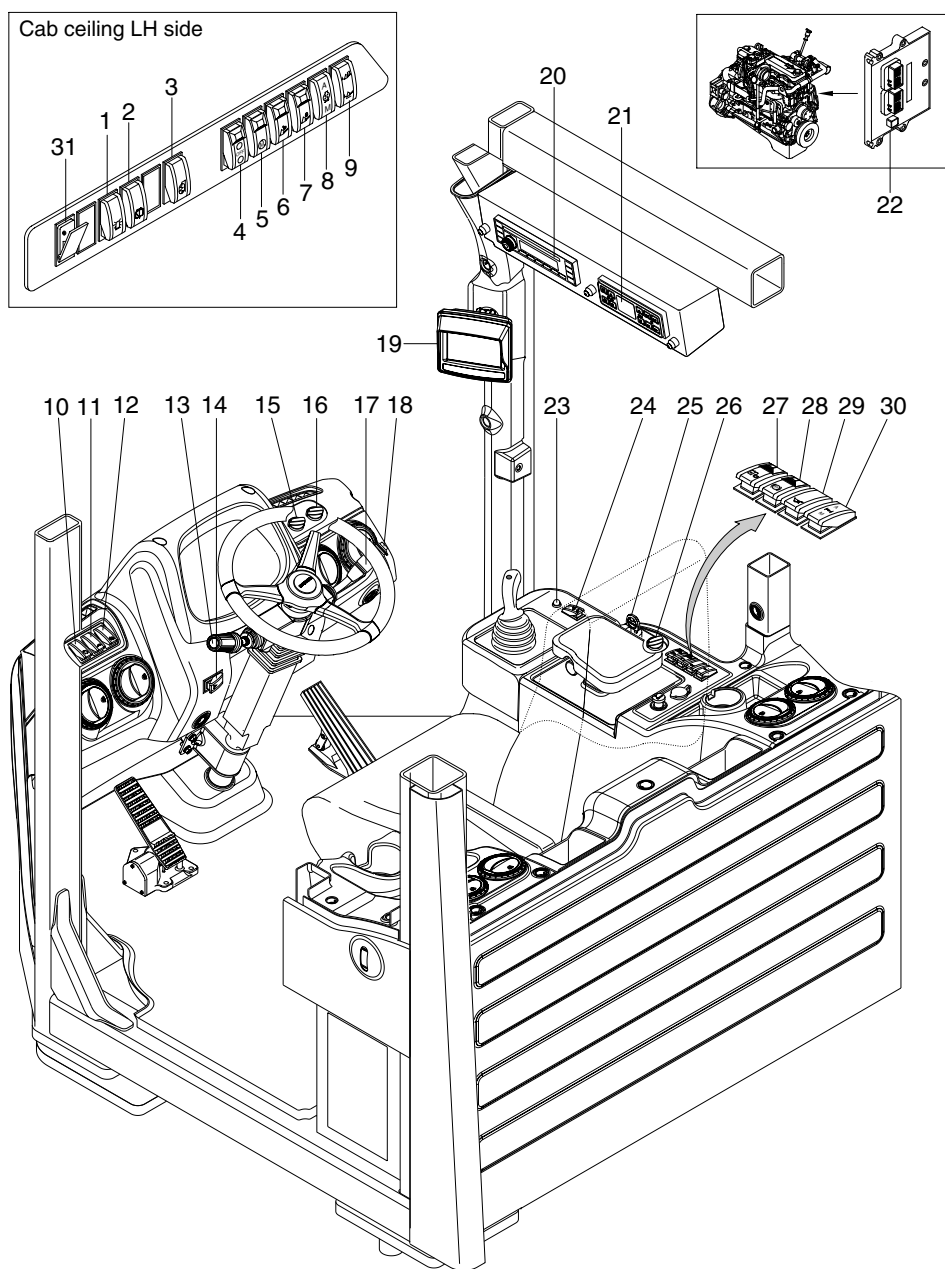
SECTION 7 ELECTRICAL SYSTEM

Group 1 Component Location	7-1
Group 2 Electrical Circuit	7-3
Group 3 Monitoring System	7-21
Group 4 Electrical Component Specification	7-61
Group 5 Connectors	7-68
Group 6 Troubleshooting	7-89

SECTION 7 ELECTRICAL SYSTEM

GROUP 1 COMPONENT LOCATION

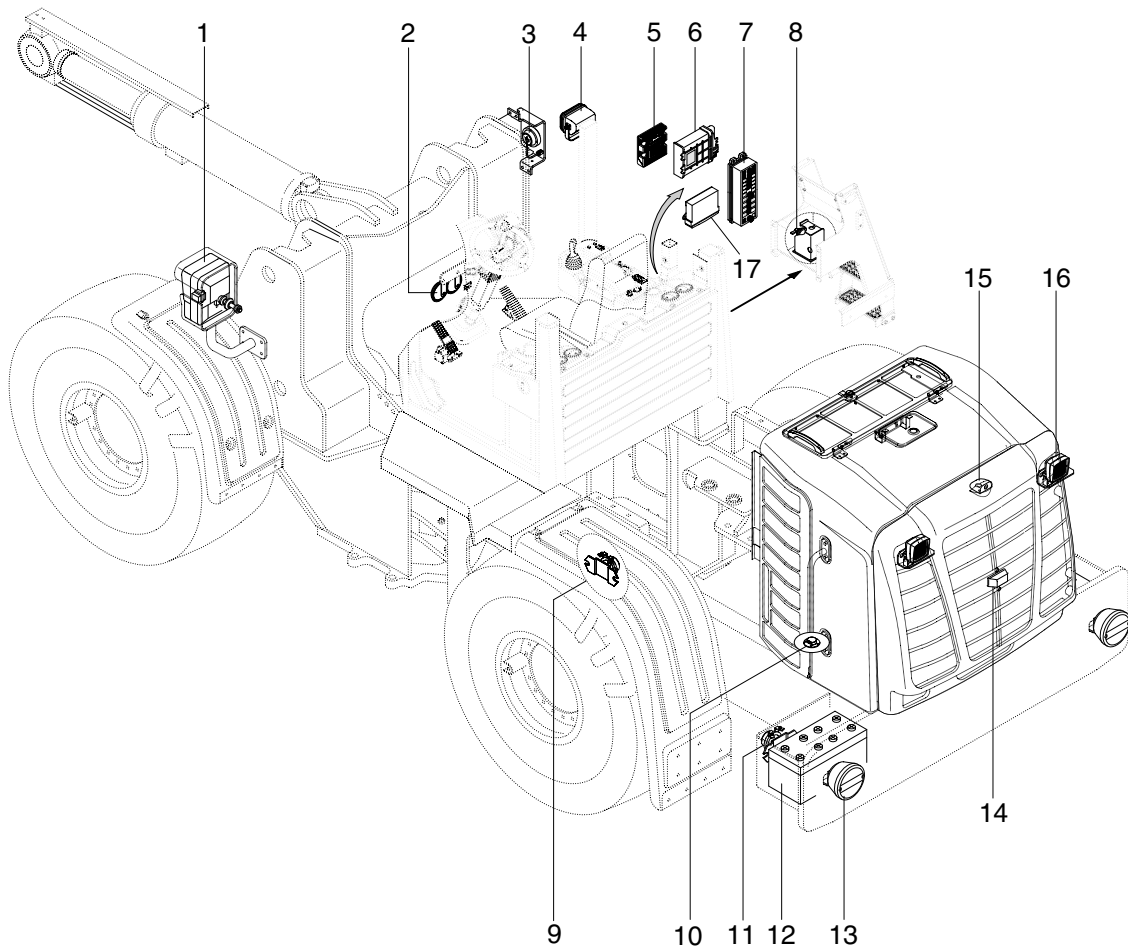
1. LOCATION 1



7609A7EL02

- | | | |
|--|-------------------------------|-----------------------------------|
| 1 Beacon switch (opt) | 11 Work lamp switch | 22 Engine control unit (ECU) |
| 2 Rear wiper / washer switch | 12 Lock up switch (opt) | 23 Work load button |
| 3 Mirror defrost switch | 13 Kick down switch | 24 Detent enable switch |
| 4 DPF switch | 14 Hazard switch | 25 Starting switch |
| 5 Emergency test switch (opt) | 15 T/M shift mode switch | Starting button (opt) |
| 6 Attachment unlock switch (opt) | 16 Clutch cut off mode switch | 26 Engine mode switch |
| 7 Attachment lock switch (opt) | 17 Multi function switch | 27 Pilot cut off switch |
| 8 Fan control switch | 18 Horn switch | 28 Parking brake switch |
| 9 Boom kickout & bucket leveler set switch | 19 Monitor | 29 Ride control switch (opt) |
| 10 Main light switch | 20 Radio & USB player | 30 Differential lock switch (opt) |
| | 21 Aircon & heater switch | 31 USB socket |

2. LOCATION 2



7609A7EL02-1

- | | | | | | |
|---|---------------------------------|----|--------------------|----|----------------------------------|
| 1 | Head lamp | 7 | Fuse and relay box | 13 | Rear combi lamp |
| 2 | Horn | 8 | Master switch | 14 | Camera (opt) |
| 3 | Angle sensor | 9 | Start relay | 15 | Work lamp |
| 4 | Work lamp | 10 | Fuel sender | 16 | Number plate lamp |
| 5 | Machine control unit (MCU) | 11 | Battery relay | 17 | Steering control unit (SCU), opt |
| 6 | Transmission control unit (TCU) | 12 | Battery | | |