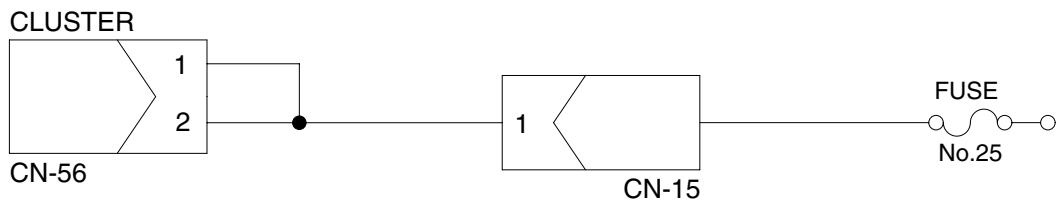
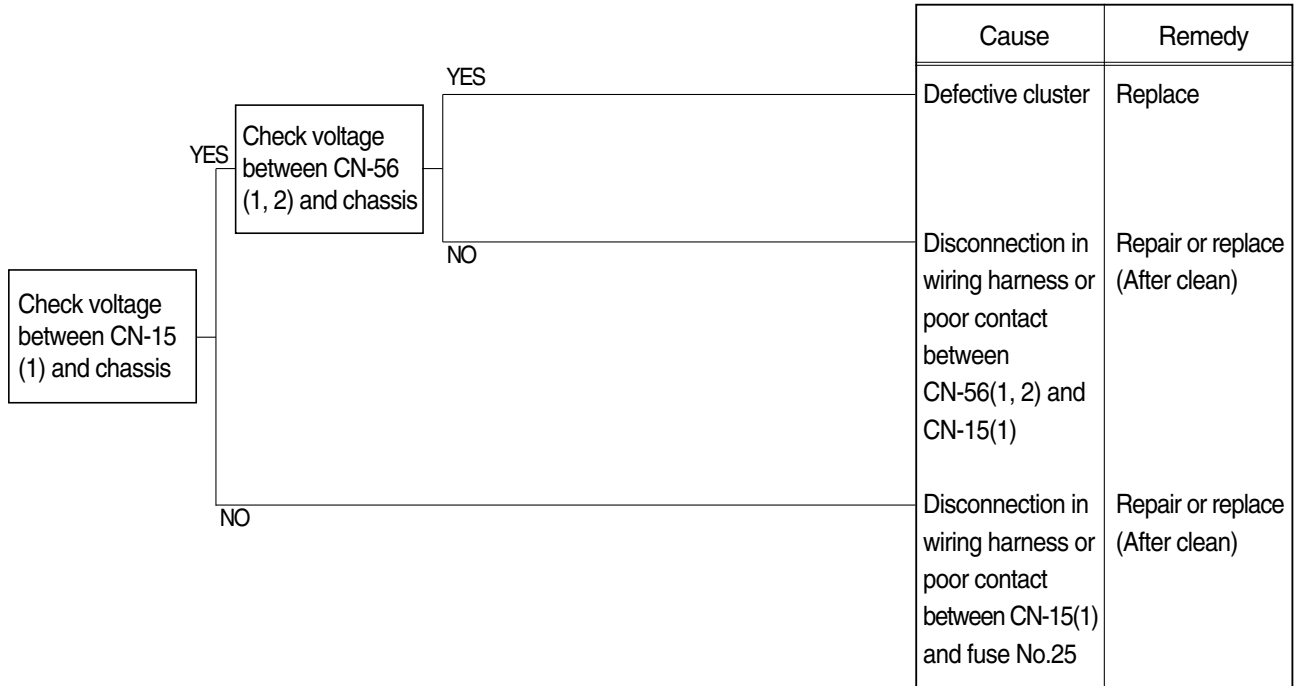


GROUP 6 TROUBLESHOOTING

1. WHEN STARTING SWITCH IS TURNED ON, CLUSTER LAMP DOES NOT LIGHT UP

- Before carrying out below procedure, check all the related connectors are properly inserted and the fuse No.25 is not blown out and ON/OFF of bulb.
- After checking, connect the disconnected connectors again immediately unless otherwise specified.



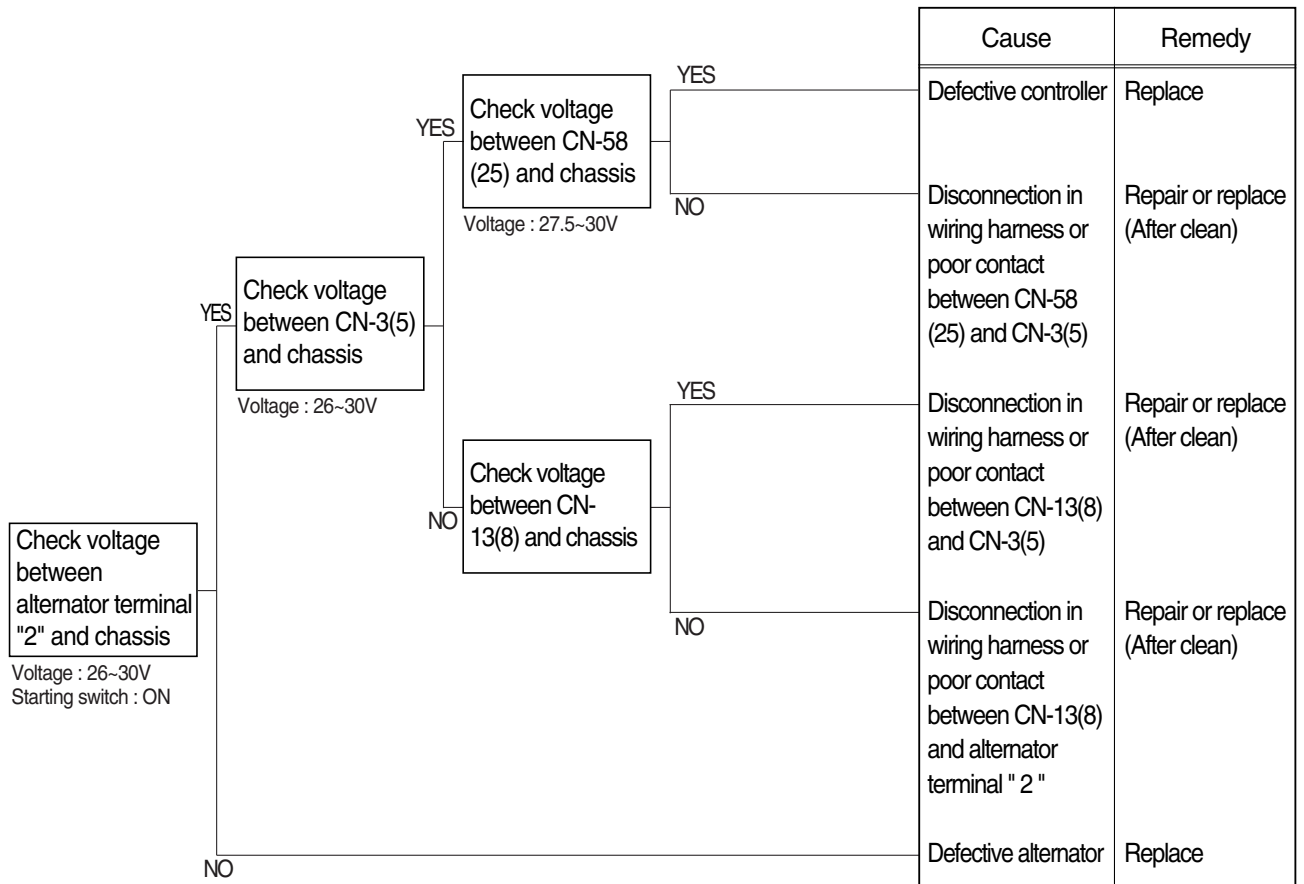
Check voltage

YES	20 ~ 30V
NO	0V

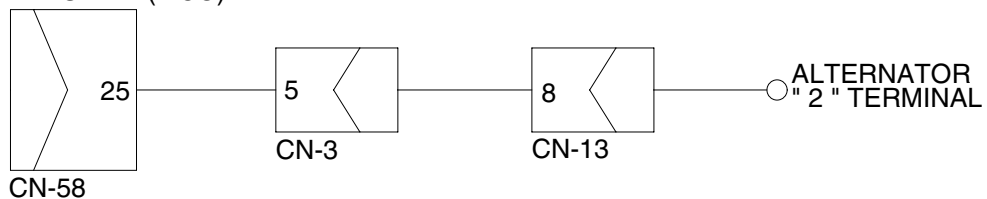
7807AEL15

2. WHEN BATTERY LAMP LIGHTS UP(Engine is started)

- Before carrying out below procedure, check all the related connectors are properly inserted.
- After checking, connect the disconnected connectors again immediately unless otherwise specified.



CONTROLLER(MCU)



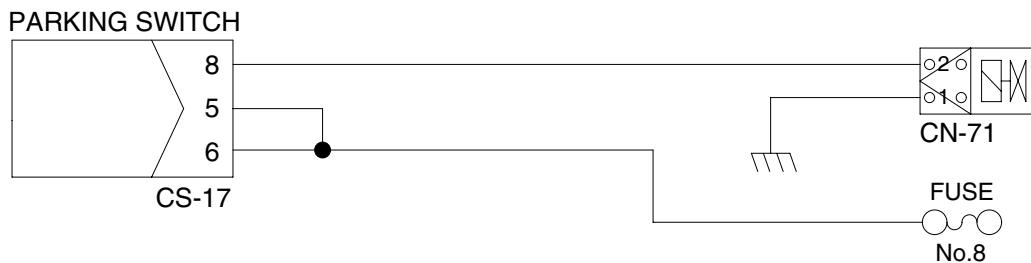
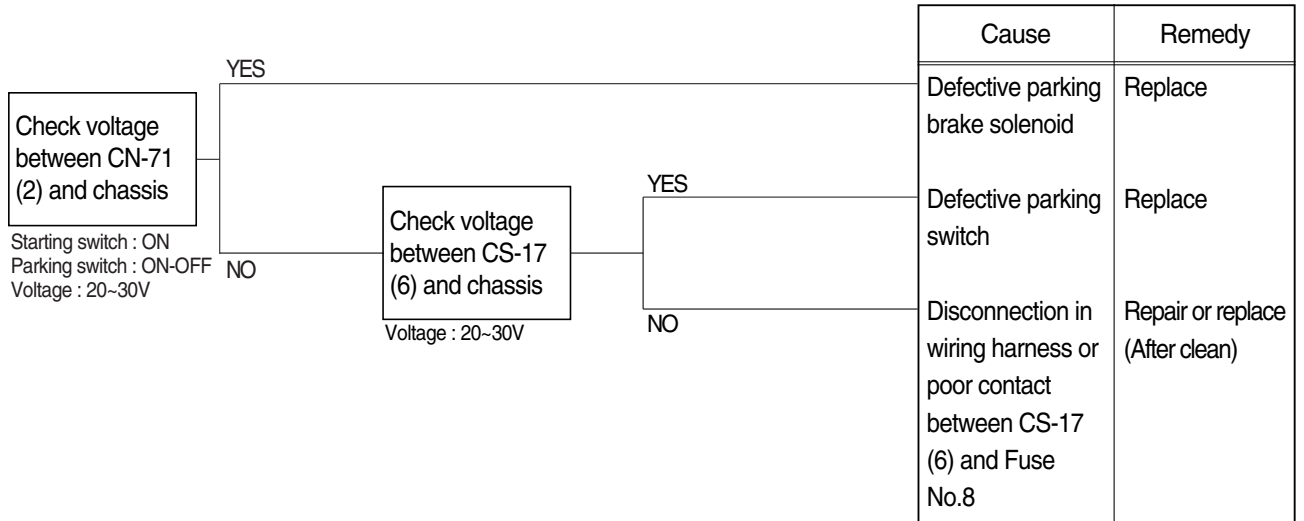
Check valtage

YES	20 ~ 30V
NO	0V

7707AEL16

3. WHEN PARKING SOLENOID DOES NOT WORK

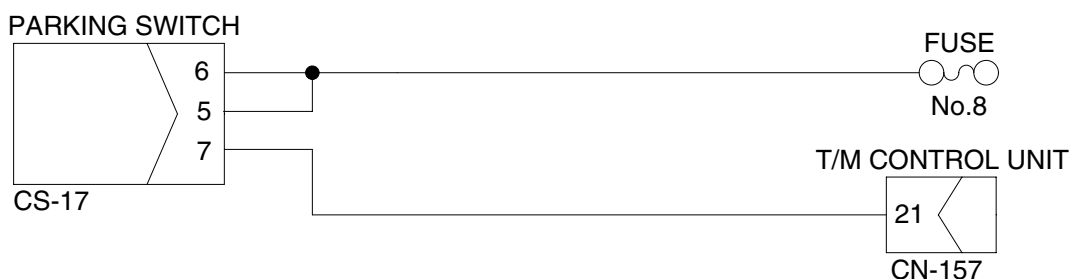
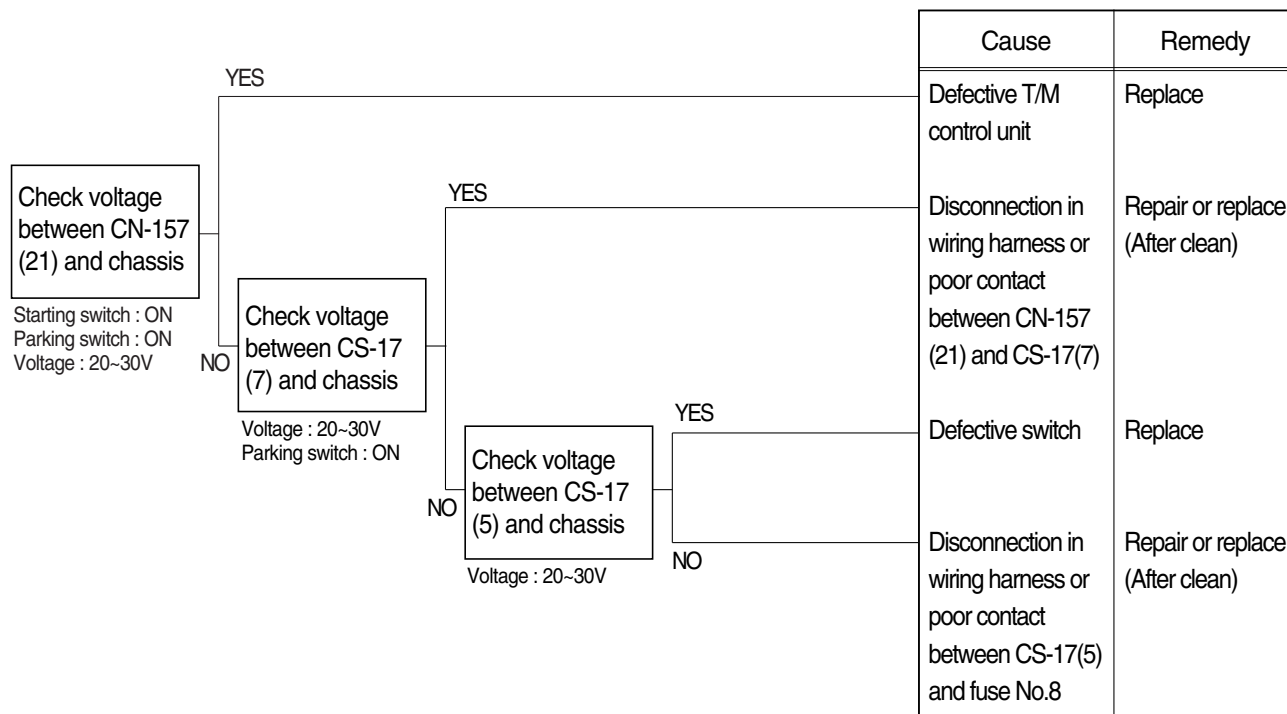
- Before carrying out below procedure, check all the related connectors are properly inserted and the fuse No.8 is not blown out.
- After checking, connect the disconnected connectors again immediately unless otherwise specified.



7707EL24

4. TRANSMISSION IS NOT RETURNED TO NEUTRAL WHEN PARKING BRAKE IS APPLIED

- Before carrying out below procedure, check all the related connectors are properly inserted and the fuse No.17(T/M control unit) and No.8 are not blown out.
- After checking, connect the disconnected connectors again immediately unless otherwise specified.



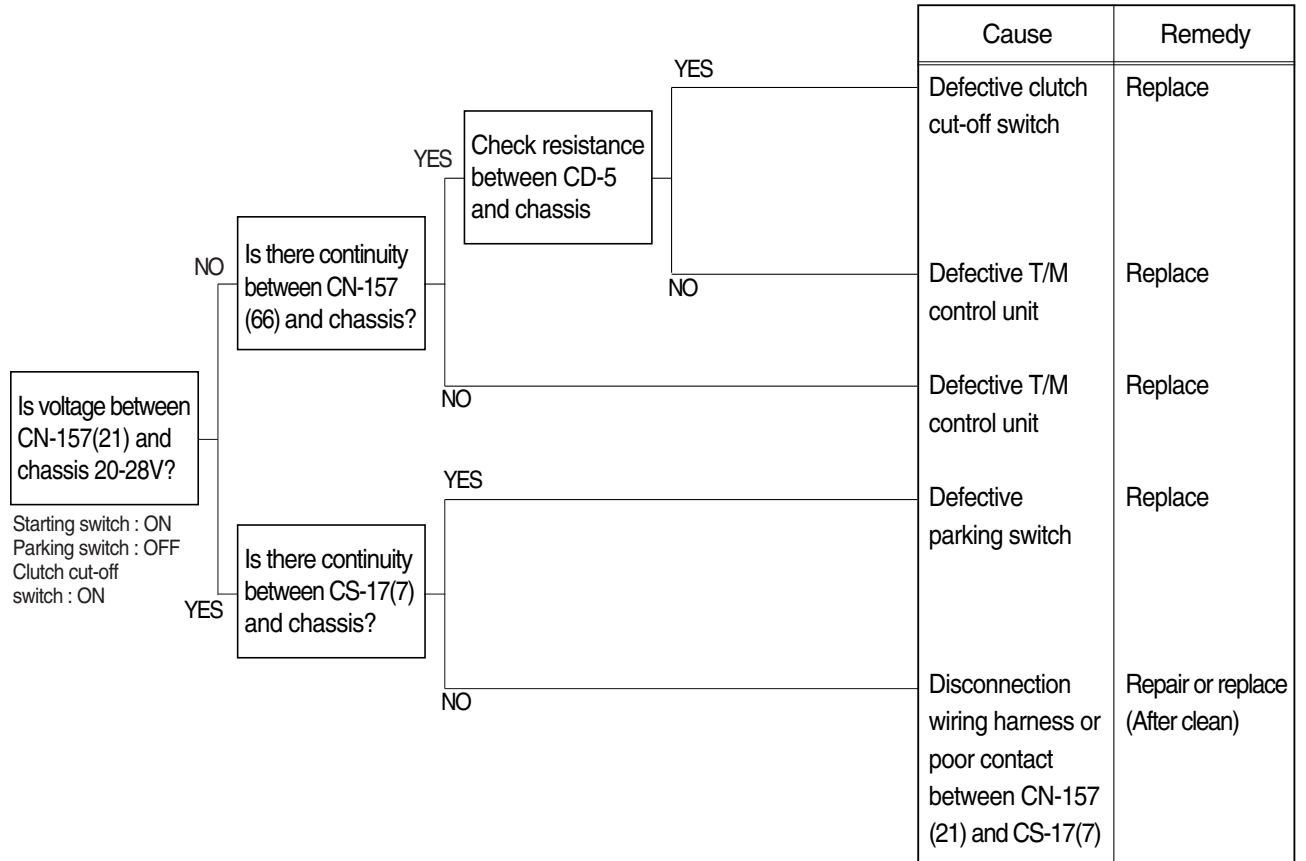
Check resistance

YES	MAX 1 Ω
NO	MIN 1M Ω

7807AEL17

5. MACHINE DOES NOT TRAVEL

- Before carrying out below procedure, check all the related connectors are properly inserted and the fuse No.17(Transmission controller) is not blown out.
- After checking, connect the disconnected connectors again immediately unless otherwise specified.
- Wiring diagram : **See page 7-17.**

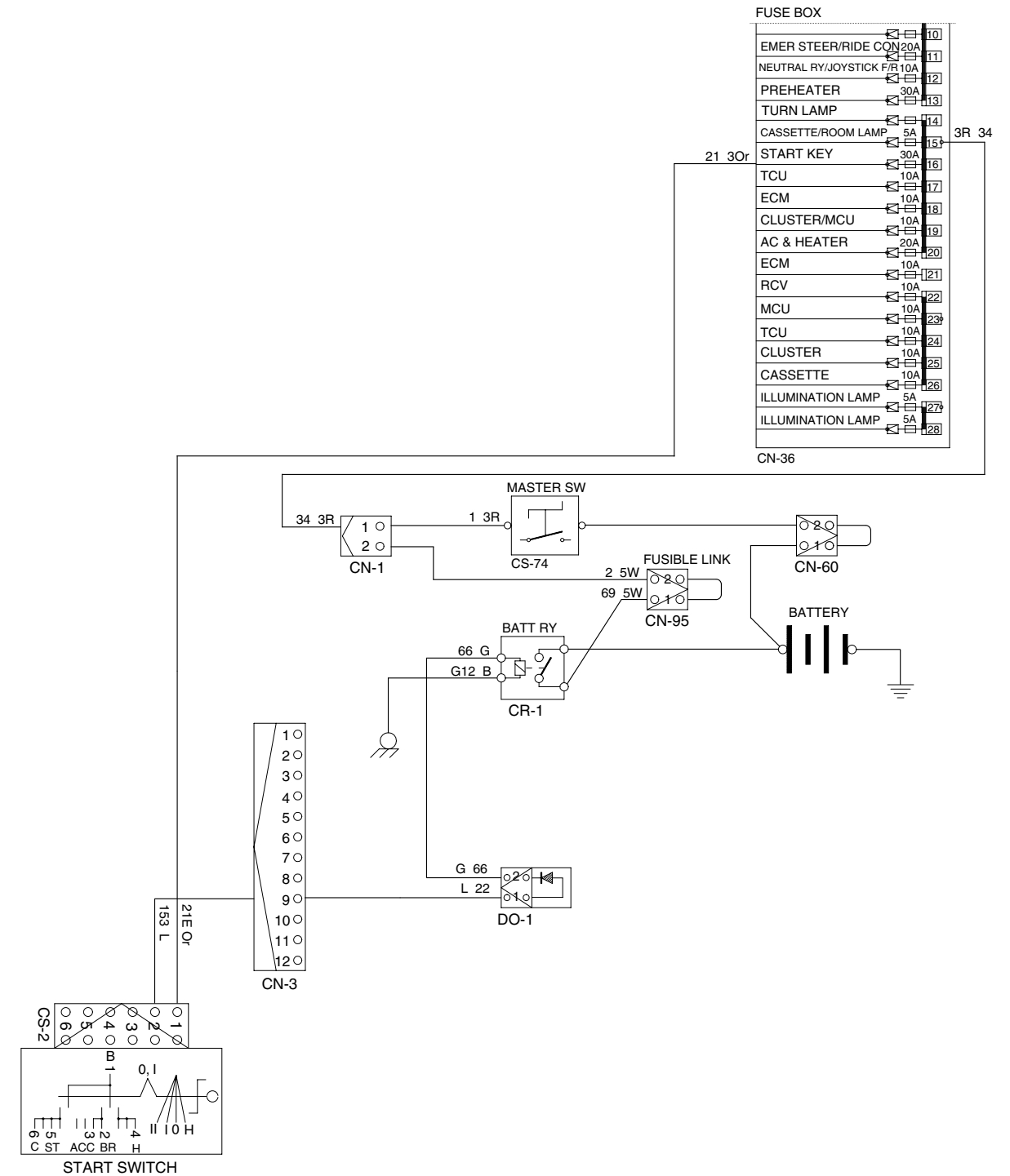
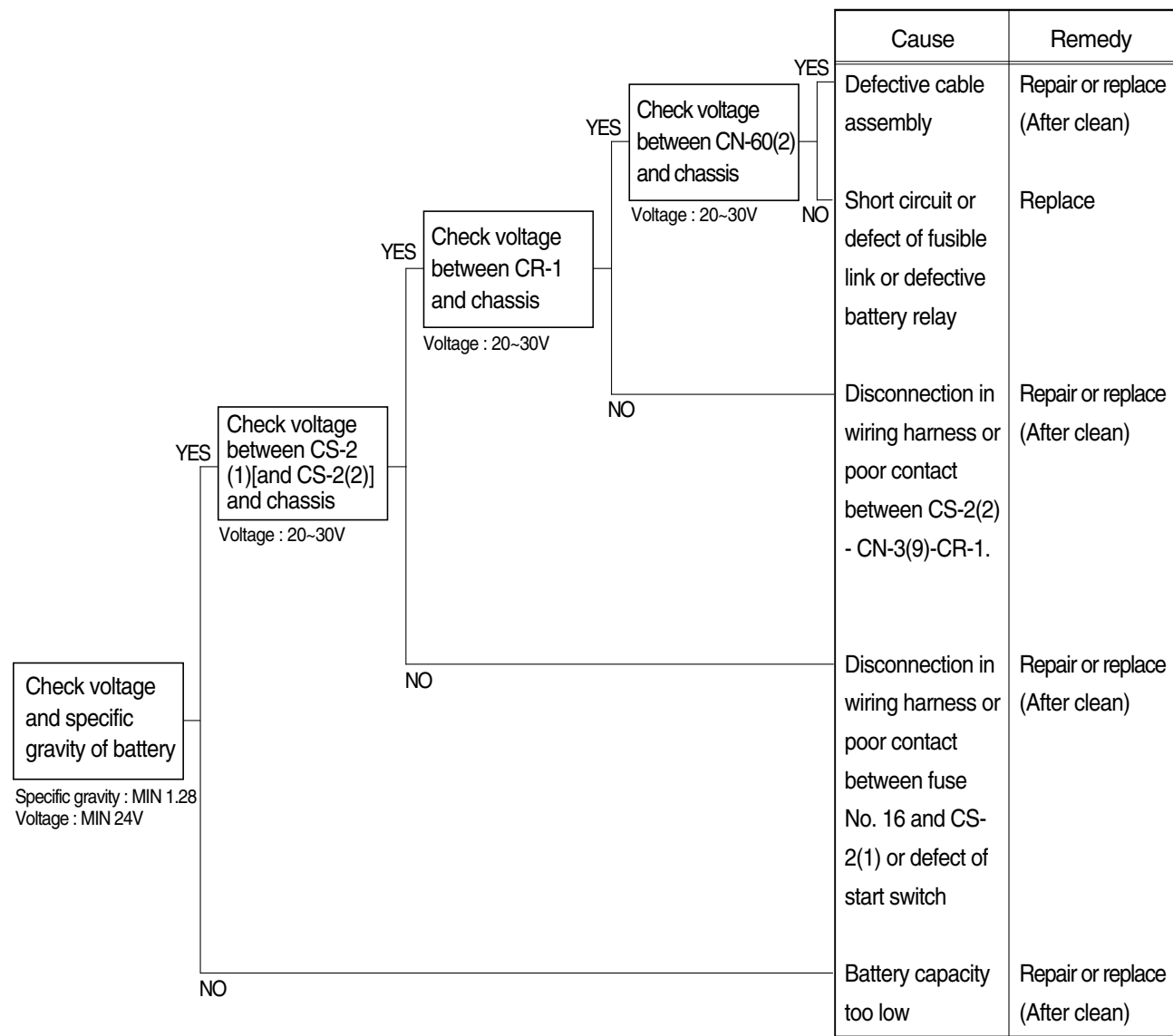


Check resistance

YES	MAX 1 Ω
NO	MIN 1M Ω

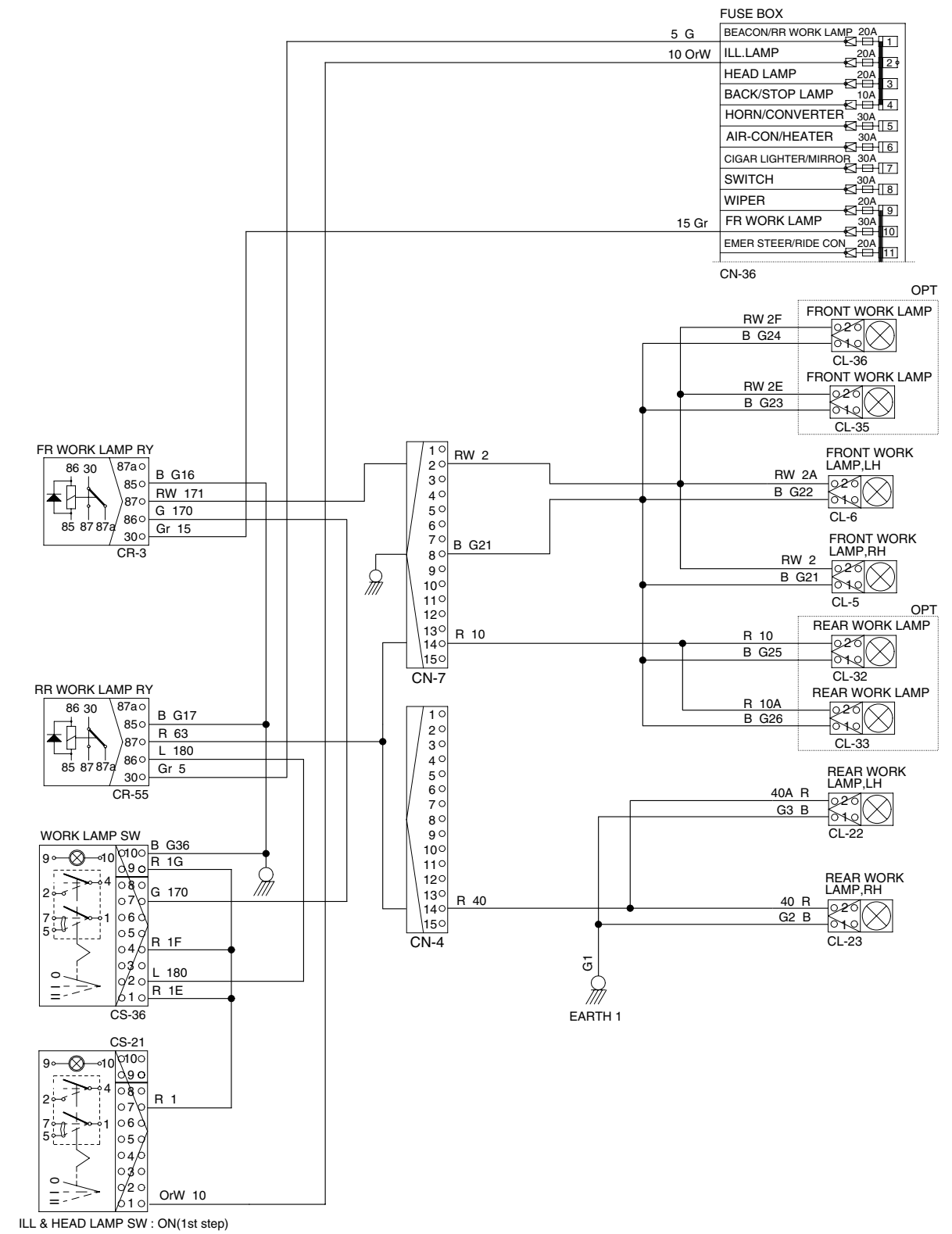
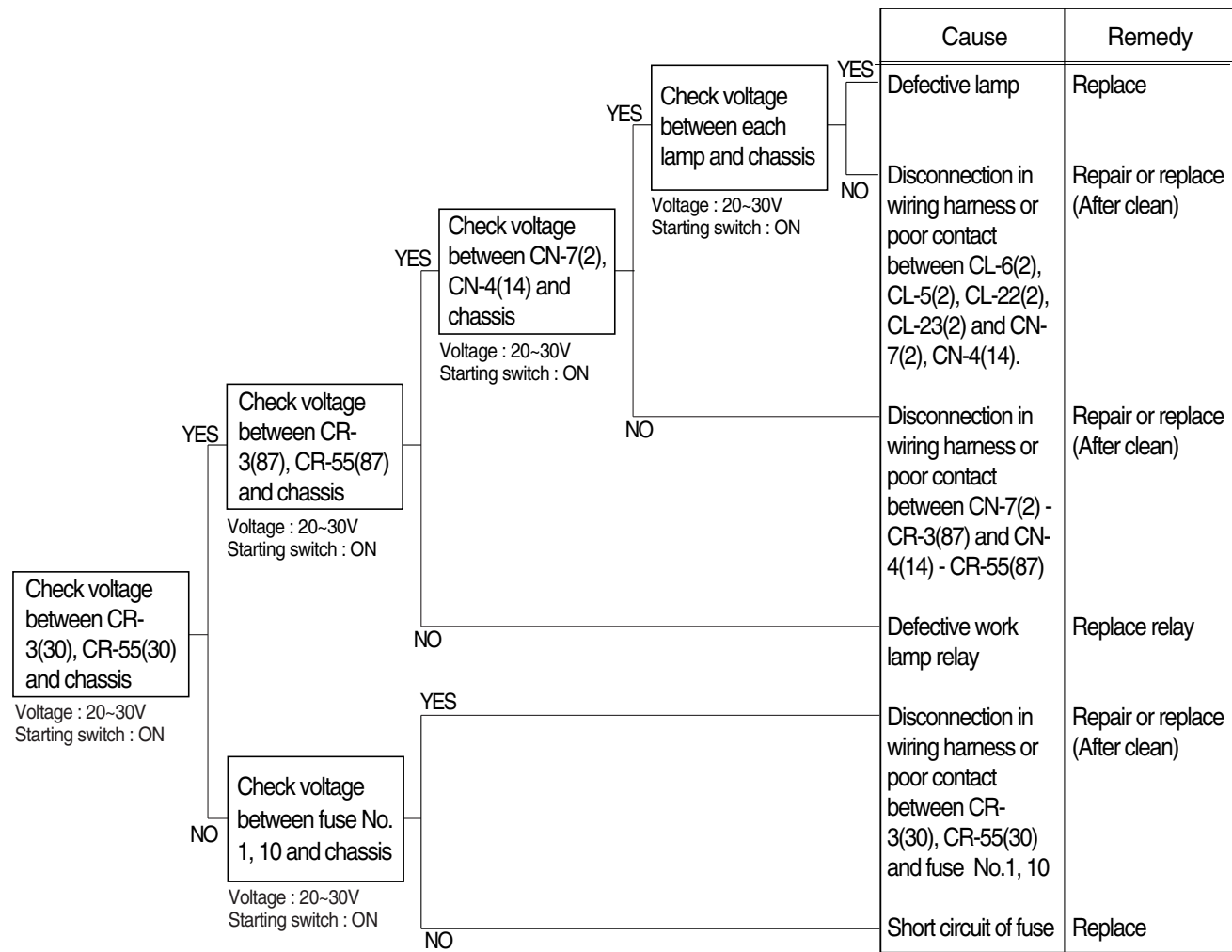
7. WHEN STARTING SWITCH "ON" DOES NOT OPERATE

- Before carrying out below procedure, check all the related connectors are properly inserted and and the fuse No.16 is not blown out.
- After checking, connect the disconnected connectors again immediately unless otherwise specified.



8. WHEN STARTING SWITCH IS TURNED ON, WORK LAMP DOES NOT LIGHTS UP

- Before carrying out below procedure, check all the related connectors are properly inserted, and the fuse No.1, 10 is not blown out.
- After checking, connect the disconnected connectors again immediately unless otherwise specified.



9. WHEN ENGINE DOES NOT START

- Check supply of the power at engine stop solenoid while starting switch is ON.
- Before carrying out below procedure, check all the related connectors are properly inserted.
- After checking, connect the disconnected connectors again immediately unless other wise specified.
- Check forward reverse switch at neutral position.

