

# SECTION 7 ELECTRICAL SYSTEM

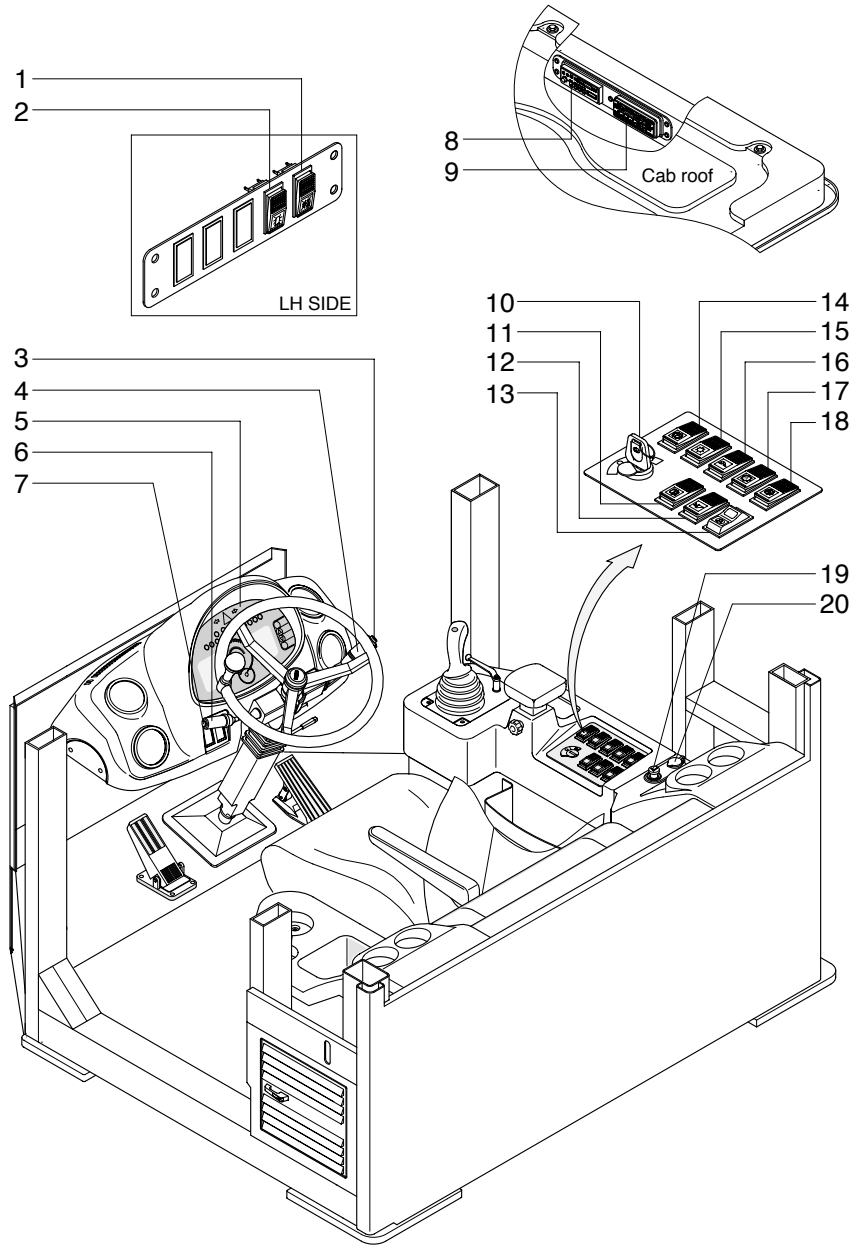


- Group 1 Component Location ----- 7-1
- Group 2 Electrical Circuit ----- 7-3
- Group 3 Monitoring System ----- 7-22
- Group 4 Electrical Component Specification ----- 7-38
- Group 5 Connectors ----- 7-45
- Group 6 Troubleshooting ----- 7-59

# SECTION 7 ELECTRICAL SYSTEM

## GROUP 1 COMPONENT LOCATION

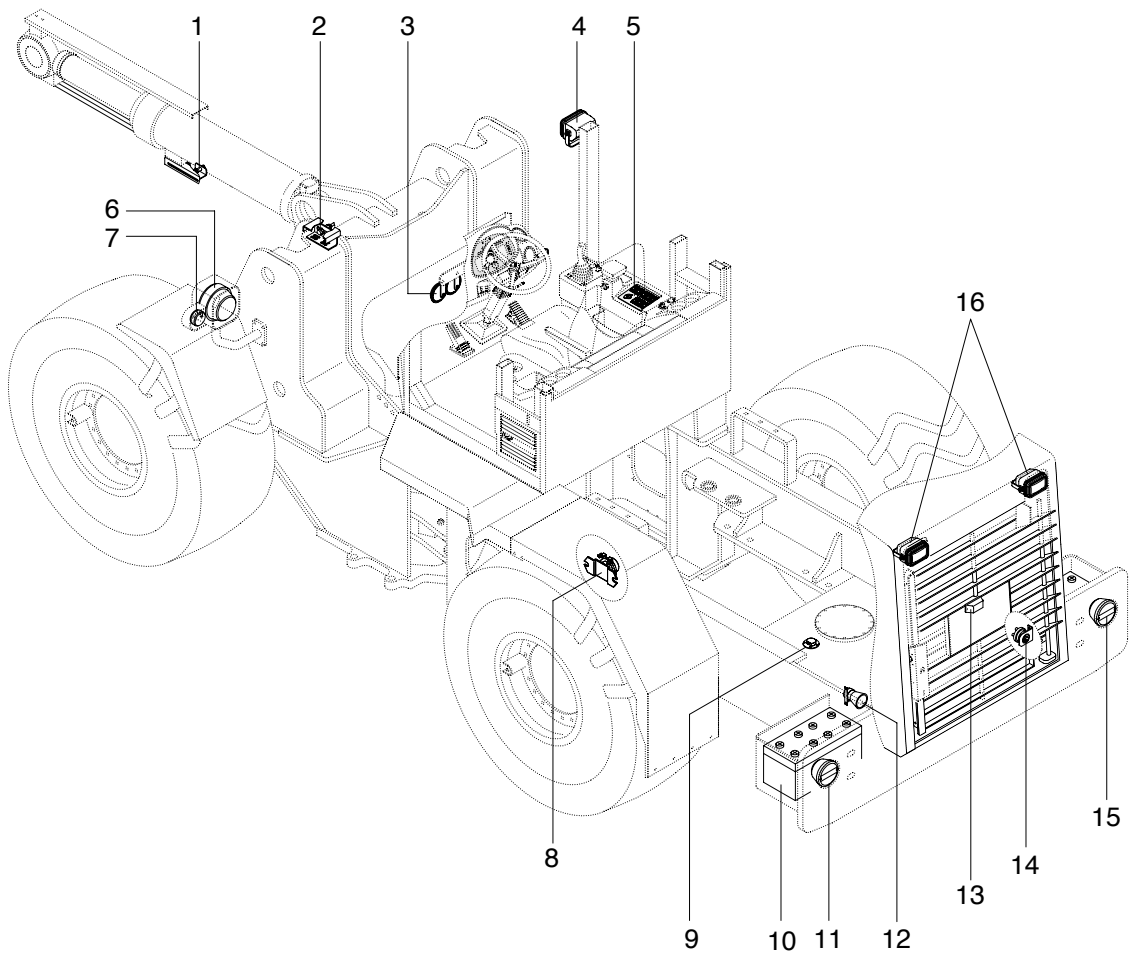
### 1. LOCATION 1



7707EL02

- |                         |                                |                          |
|-------------------------|--------------------------------|--------------------------|
| 1 Buzzer stop switch    | 8 Radio & cassette             | 15 Main light switch     |
| 2 Beacon switch(option) | 9 Aircon & heater switch       | 16 Work lamp switch      |
| 3 Horn button           | 10 Starting switch             | 17 Auto select switch    |
| 4 Multi function switch | 11 Rear wiper/washer switch    | 18 Clutch cut off switch |
| 5 Cluster               | 12 Ride control switch(option) | 19 Cigar lighter         |
| 6 Gear selector lever   | 13 Pump motor switch(option)   | 20 12V socket            |
| 7 Kick down switch      | 14 Parking brake switch        |                          |

## 2. LOCATION 2



7707EL02-1

- |   |                  |    |                 |    |                   |
|---|------------------|----|-----------------|----|-------------------|
| 1 | Proximity switch | 7  | Front turn lamp | 12 | Back up buzzer    |
| 2 | Proximity switch | 8  | Start relay     | 13 | Number plate lamp |
| 3 | Horn             | 9  | Fuel sender     | 14 | Master switch     |
| 4 | Work lamp        | 10 | Battery         | 15 | Rear combi lamp   |
| 5 | Switch panel     | 11 | Rear combi lamp | 16 | Work lamp         |
| 6 | Head lamp        |    |                 |    |                   |