

GROUP 6 TROUBLESHOOTING

1. WHEN STARTING SWITCH IS TURNED ON, CLUSTER AND MONITOR LAMP DOES NOT LIGHT UP

- Before carrying out below procedure, check all the related connectors are properly inserted and the fuse No.12 is not blown out and ON/OFF of bulb.
- After checking, connect the disconnected connectors again immediately unless otherwise specified.

| | Cause | Remedy |
|--|--|---------------------------------|
| Check voltage between CN-56 (1), CN-57(1) and chassis YES | Defective cluster | Replace |
| | Defective monitor | Replace |
| NO | Disconnection in wiring harness or poor contact between CN-56 (1), CN-57 (1) and fuse No. 12 | Repair or replace (after clean) |



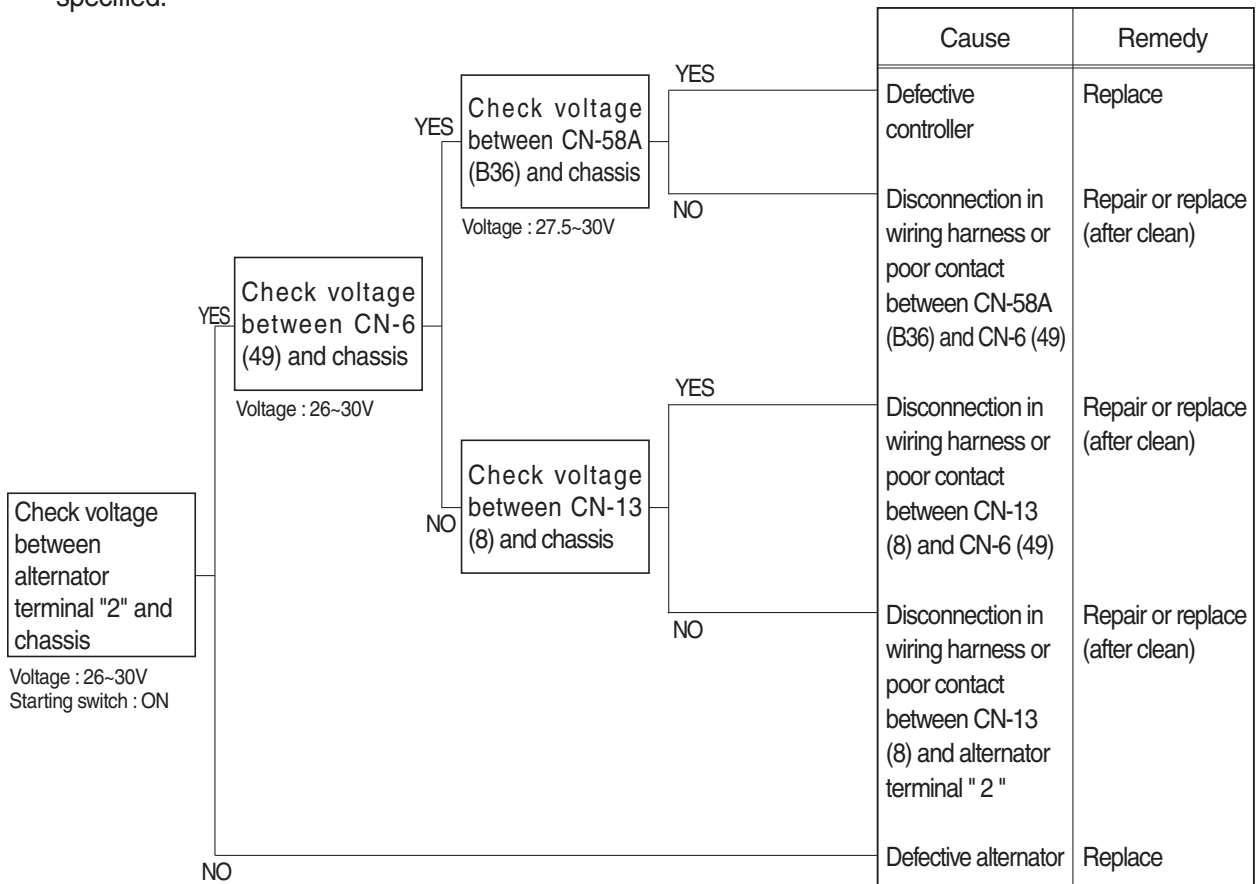
Check voltage

| | |
|-----|-----------|
| YES | 20 ~ 30 V |
| NO | 0 V |

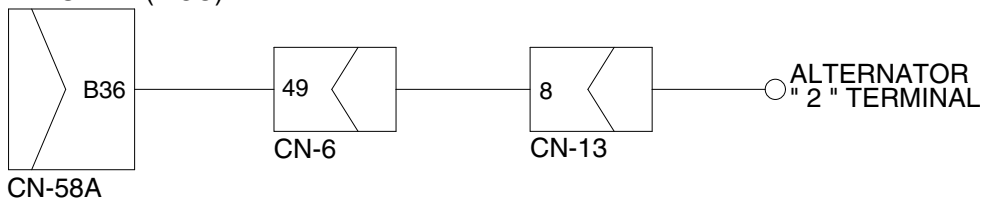
7609A7EL24

2.  WHEN BATTERY LAMP LIGHTS UP (engine is started)

- Before carrying out below procedure, check all the related connectors are properly inserted.
- After checking, connect the disconnected connectors again immediately unless otherwise specified.



CONTROLLER(MCU)



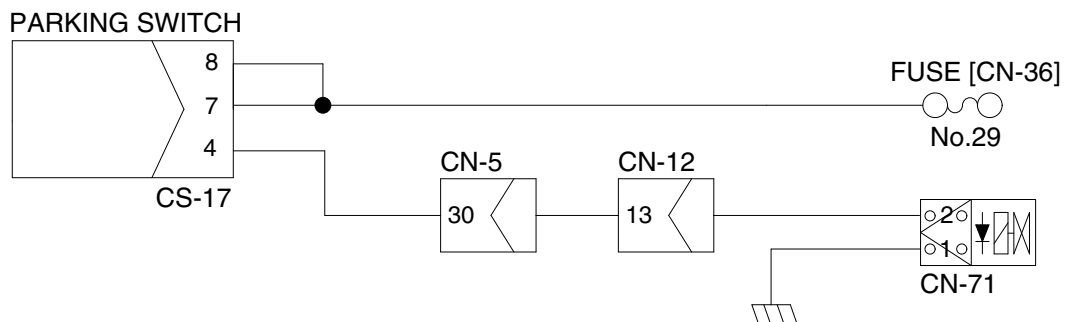
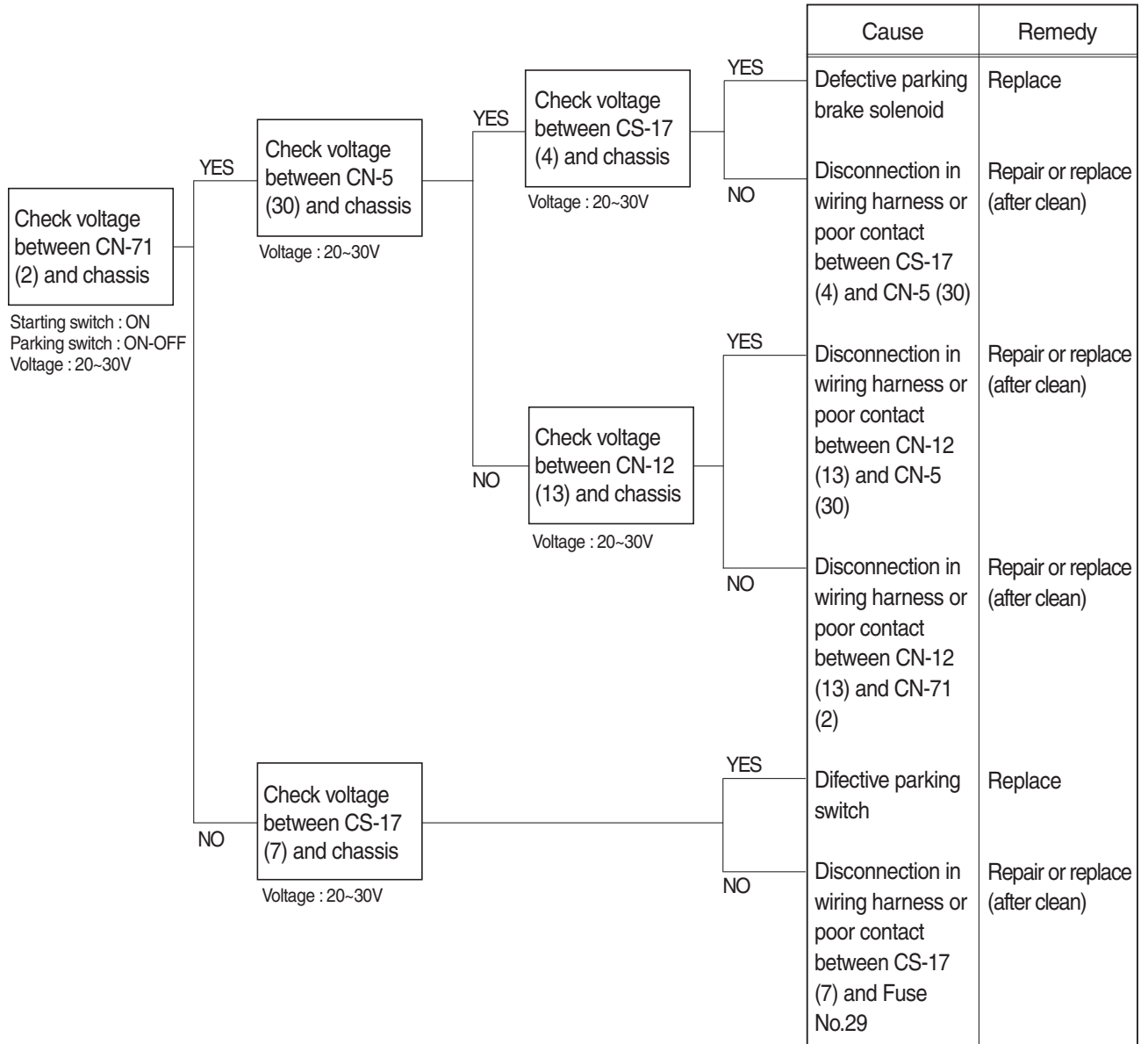
Check valtage

| | |
|-----|-----------|
| YES | 20 ~ 30 V |
| NO | 0 V |

75797EL30

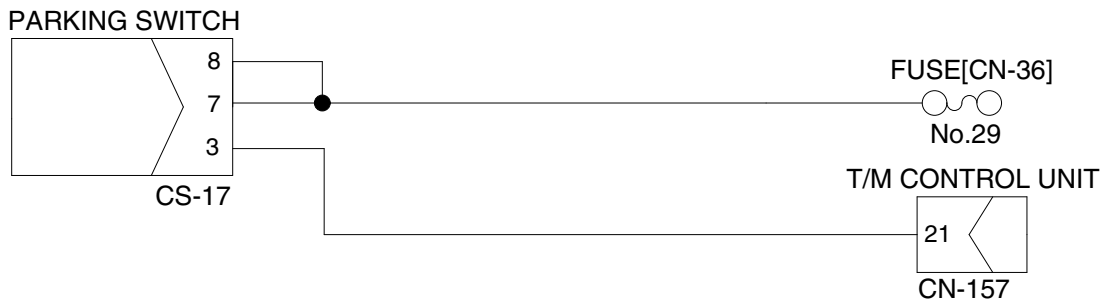
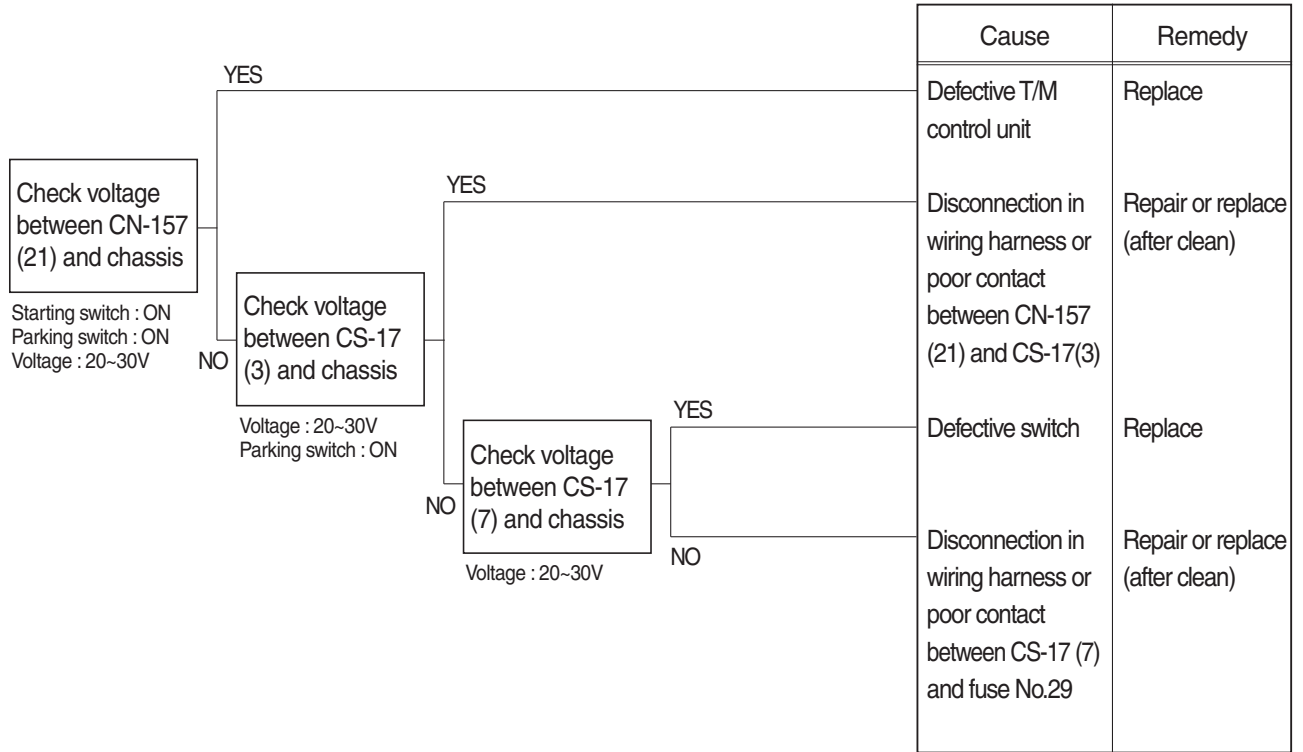
3. WHEN PARKING SOLENOID DOES NOT WORK

- Before carrying out below procedure, check all the related connectors are properly inserted and the fuse No.29 is not blown out.
- After checking, connect the disconnected connectors again immediately unless otherwise specified.



4. TRANSMISSION IS NOT RETURNED TO NEUTRAL WHEN PARKING BRAKE IS APPLIED

- Before carrying out below procedure, check all the related connectors are properly inserted and the fuse No.11 (T/M control unit) and No.29 are not blown out.
- After checking, connect the disconnected connectors again immediately unless otherwise specified.



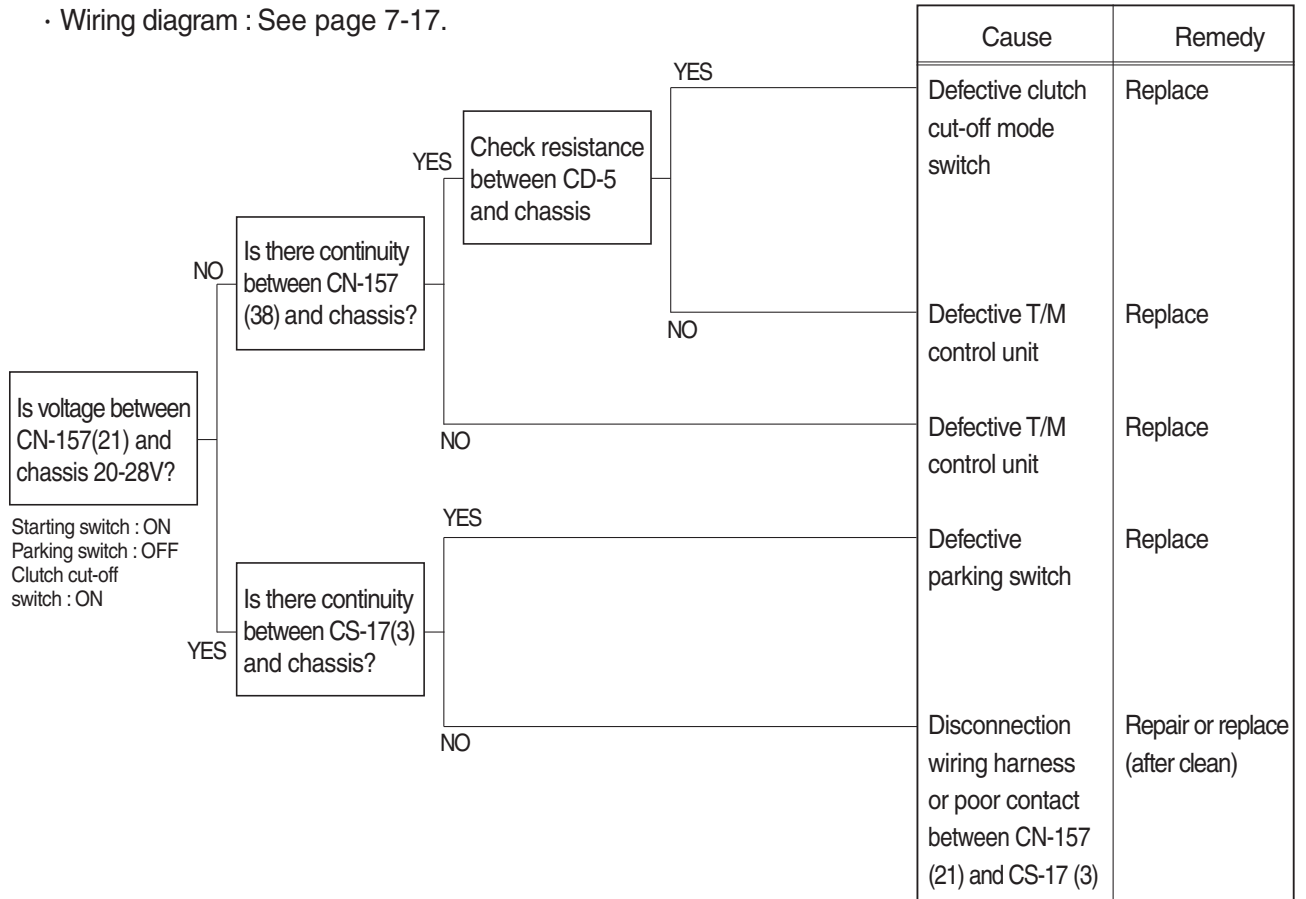
Check resistance

| | |
|-----|----------|
| YES | MAX 1 Ω |
| NO | MIN 1M Ω |

7609A7EL32

5. MACHINE DOES NOT TRAVEL

- Before carrying out below procedure, check all the related connectors are properly inserted and the fuse No.11 (transmission controller) is not blown out.
- After checking, connect the disconnected connectors again immediately unless otherwise specified.
- Wiring diagram : See page 7-17.

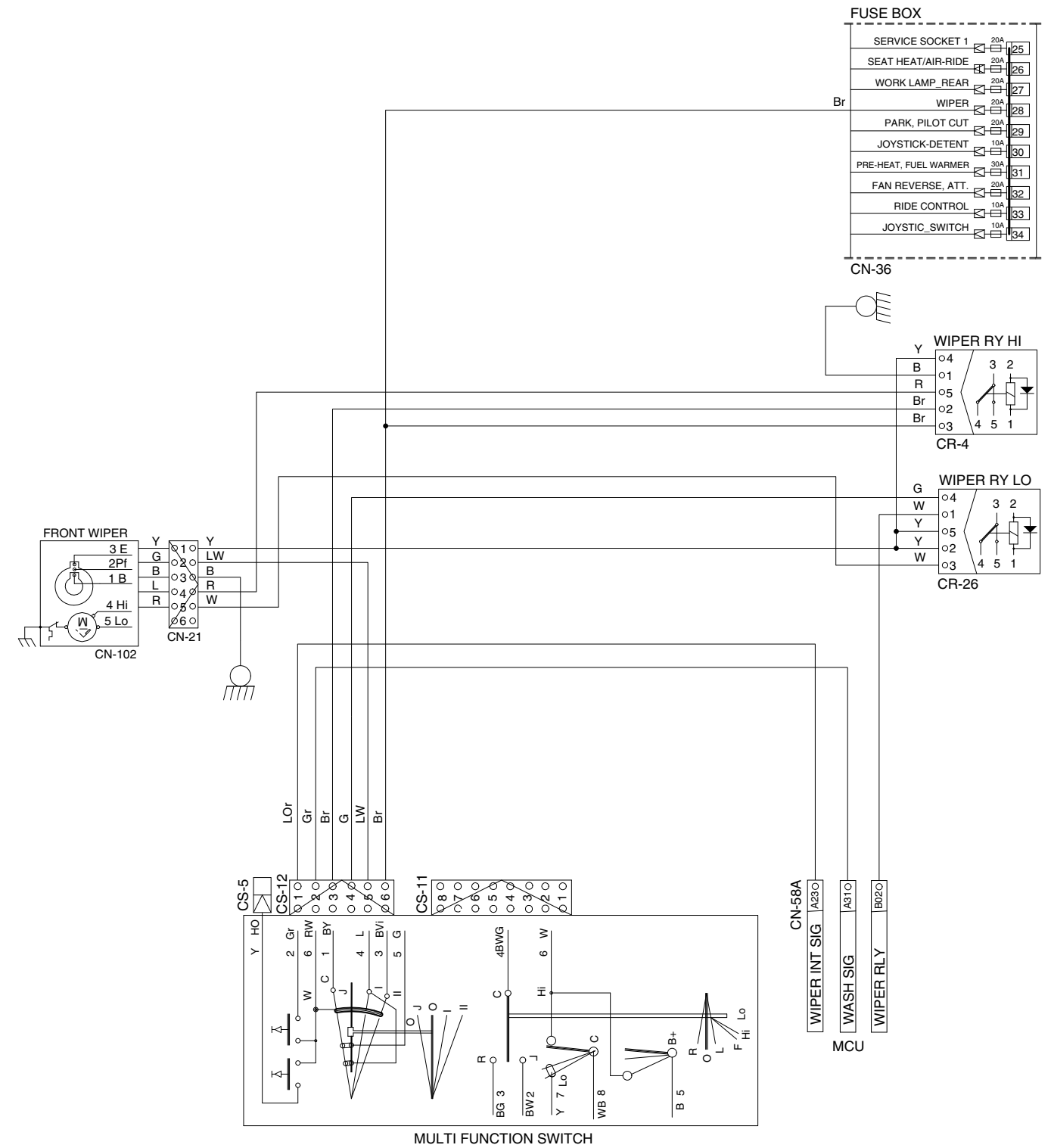
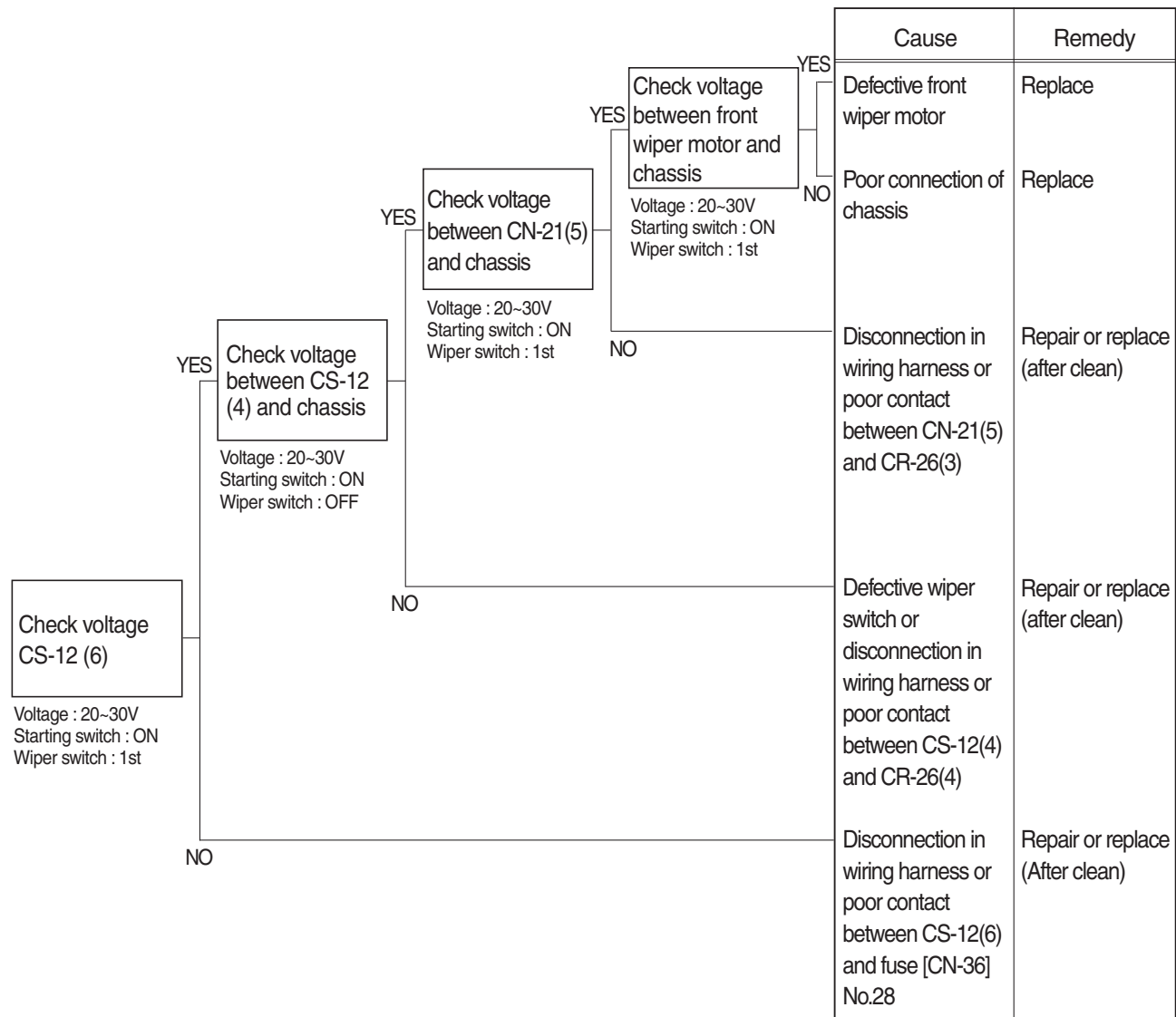


Check resistance

| | |
|-----|-----------------|
| YES | MAX 1 Ω |
| NO | MIN 1M Ω |

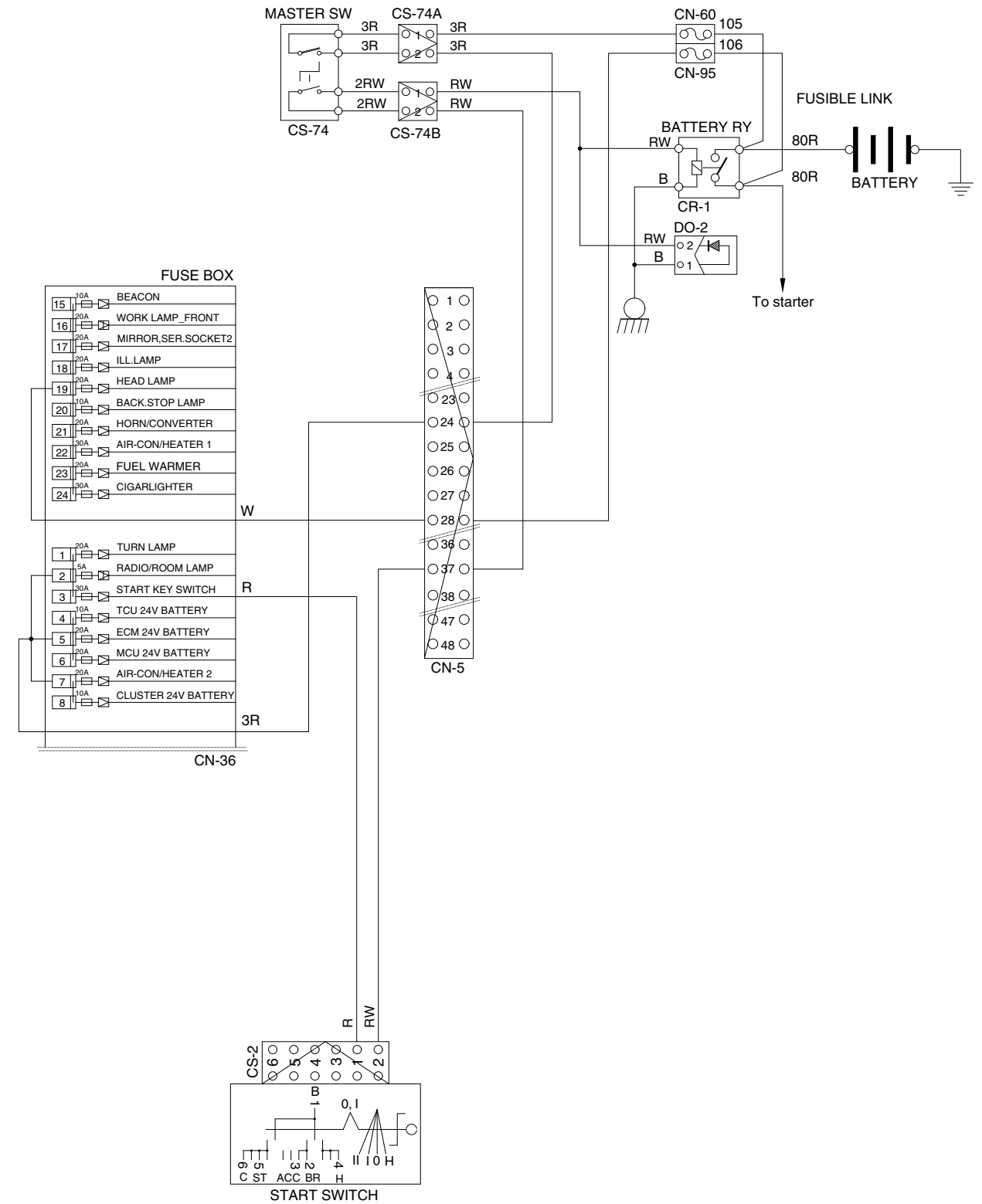
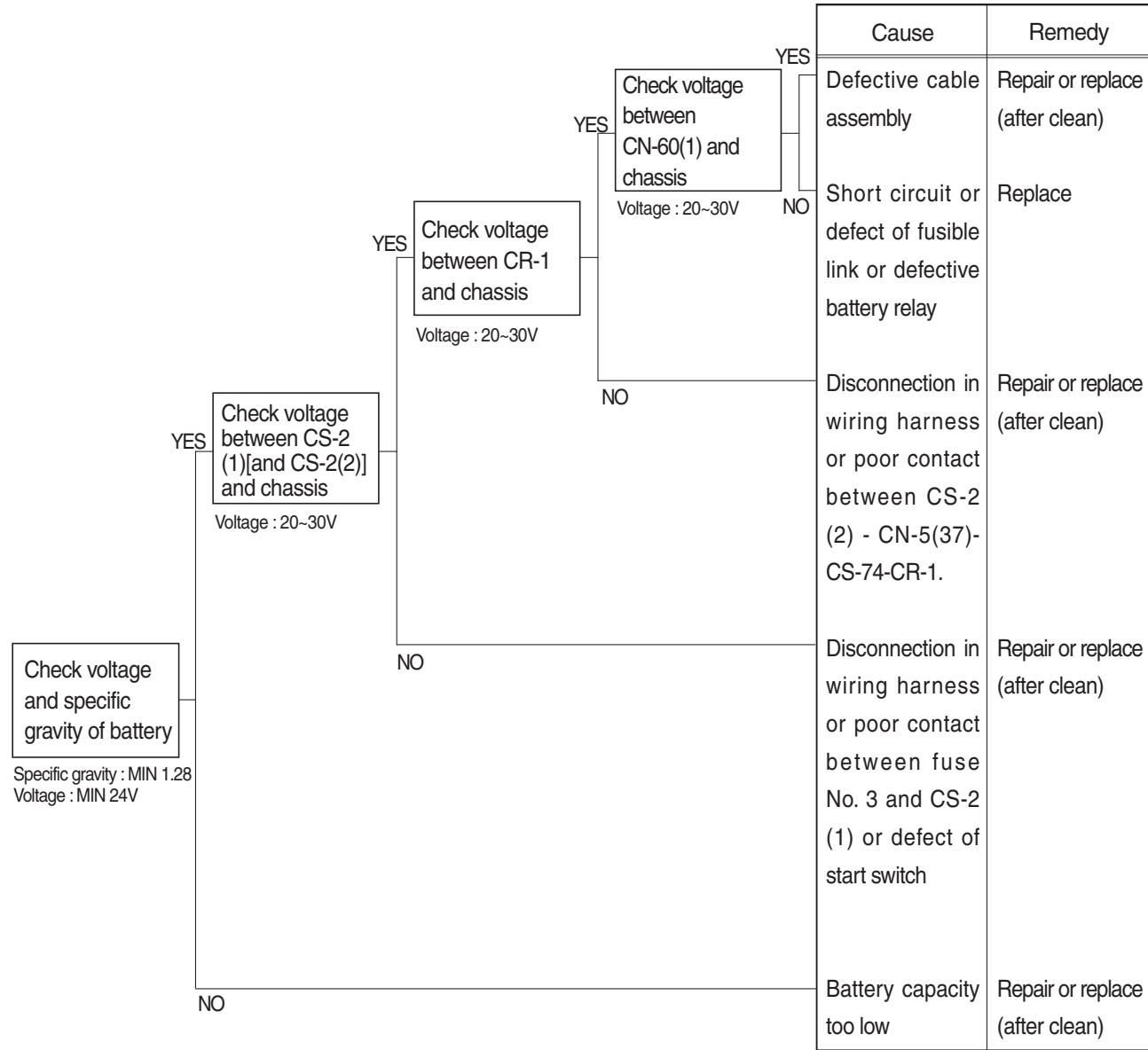
6. WHEN STARTING SWITCH IS TURNED ON, WIPER MOTOR DOES NOT OPERATE

- Before carrying out below procedure, check all the related connectors are properly inserted and the fuse No.28 is not blown out.
- After checking, connect the disconnected connectors again immediately unless otherwise specified.



7. WHEN STARTING SWITCH "ON" DOES NOT OPERATE

- Before carrying out below procedure, check all the related connectors are properly inserted the fuse No.3 is not blown out.
- After checking, connect the disconnected connectors again immediately unless otherwise specified.



8. WHEN STARTING SWITCH IS TURNED ON, WORK LAMP DOES NOT LIGHTS UP

- Before carrying out below procedure, check all the related connectors are properly inserted, and the fuse No.16, 27 is not blown out.
- After checking, connect the disconnected connectors again immediately unless otherwise specified.

