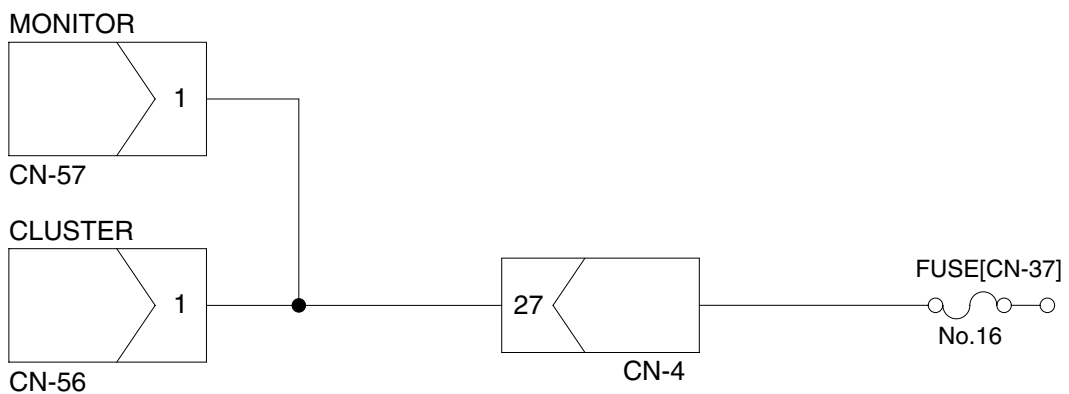
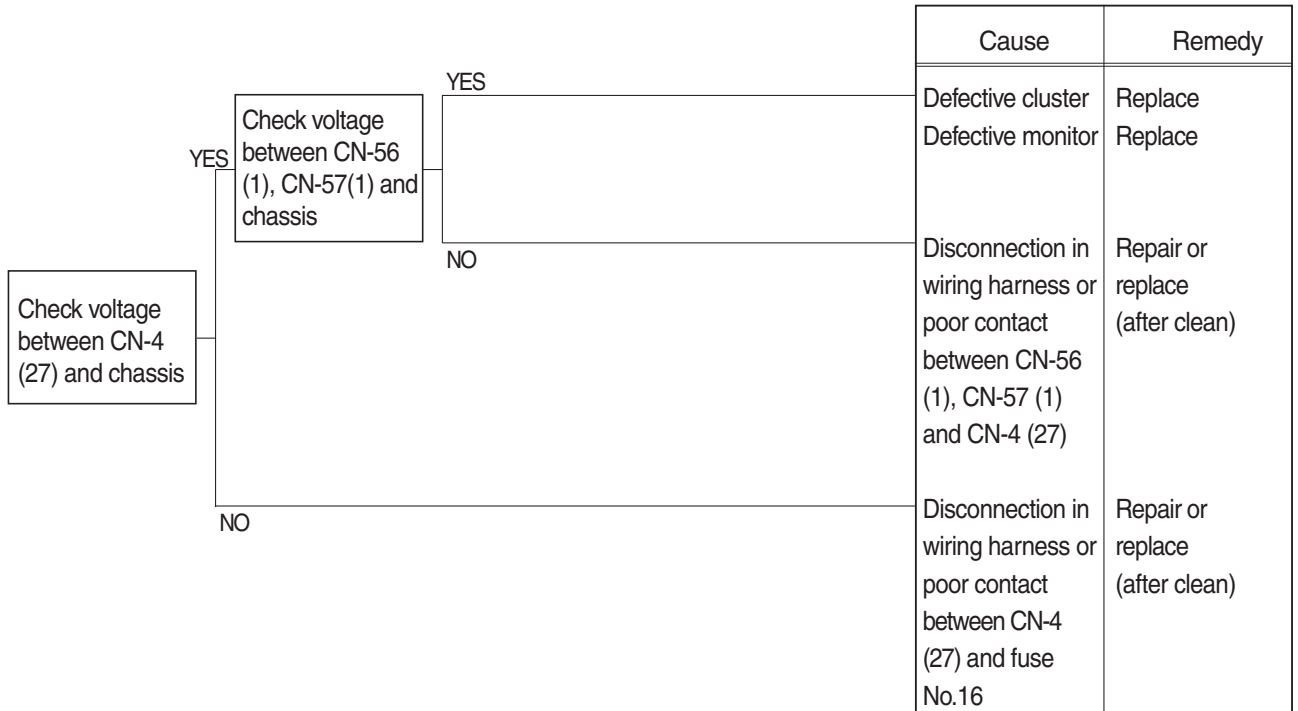


## GROUP 6 TROUBLESHOOTING

### 1. WHEN STARTING SWITCH IS TURNED ON, CLUSTER AND MONITOR LAMP DOES NOT LIGHT UP

- Before carrying out below procedure, check all the related connectors are properly inserted and the fuse [CN-37] No.16 is not blown out and ON/OFF of bulb.
- After checking, connect the disconnected connectors again immediately unless otherwise specified.



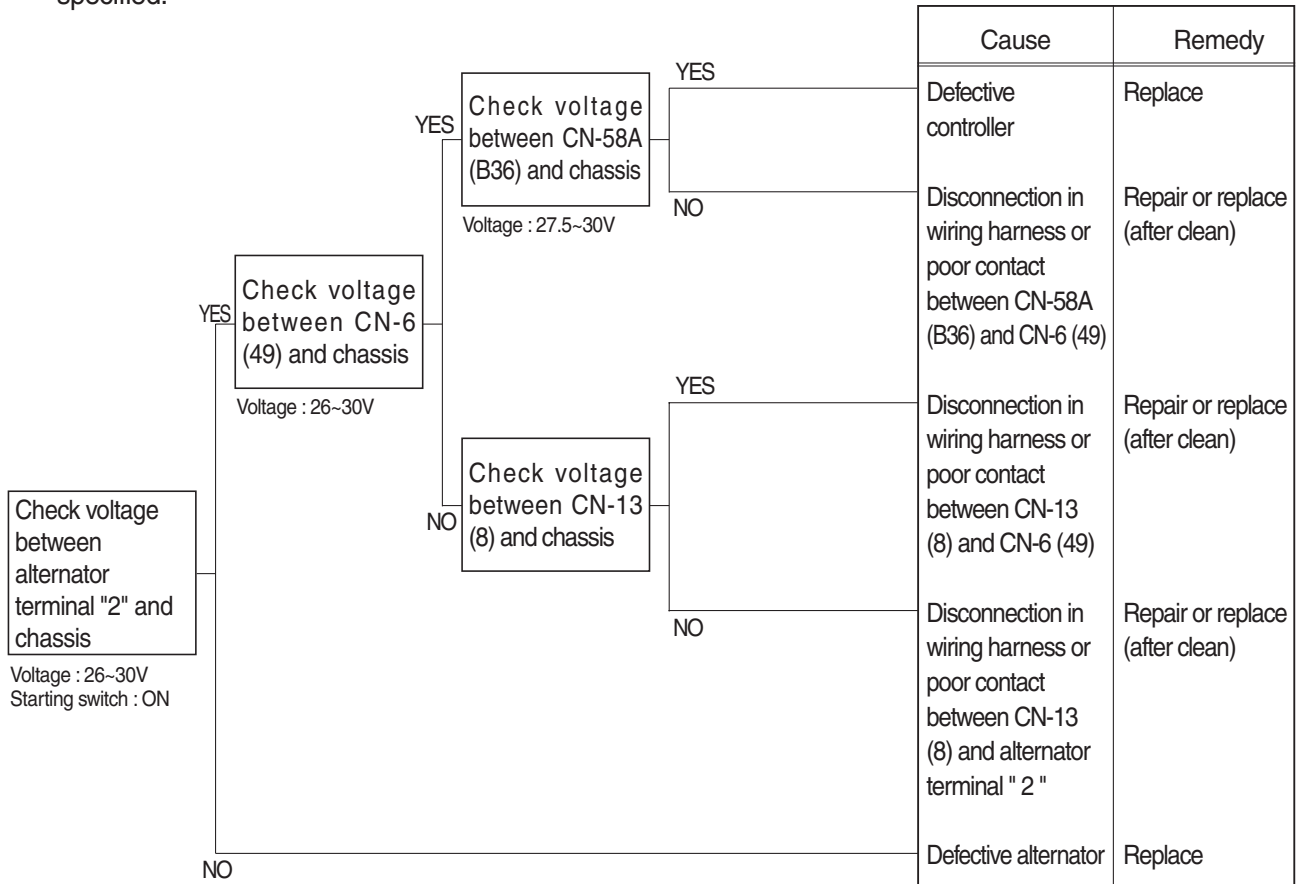
Check voltage

YES	20 ~ 30 V
NO	0 V

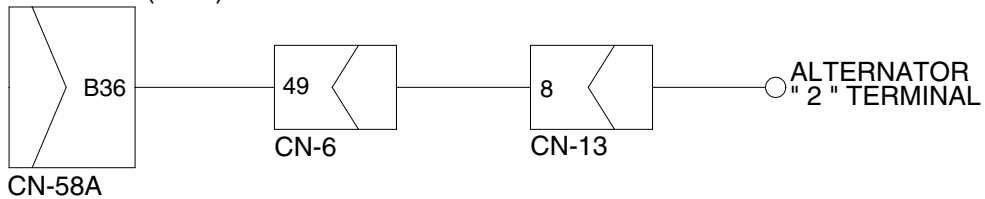
75797EL24

2.  **WHEN BATTERY LAMP LIGHTS UP (engine is started)**

- Before carrying out below procedure, check all the related connectors are properly inserted.
- After checking, connect the disconnected connectors again immediately unless otherwise specified.



**CONTROLLER(MCU)**



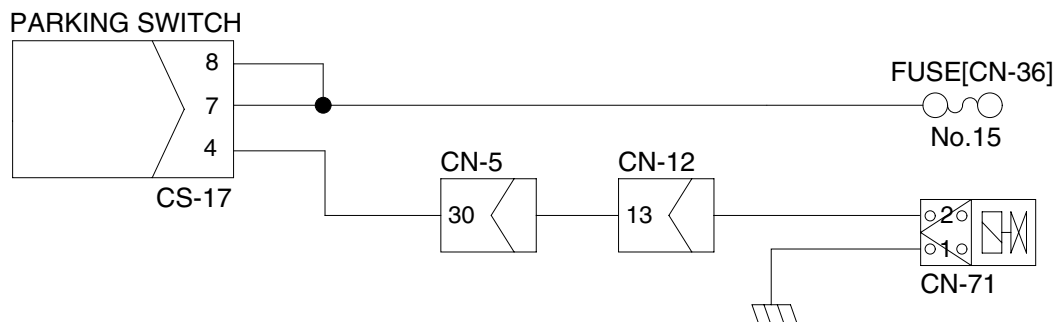
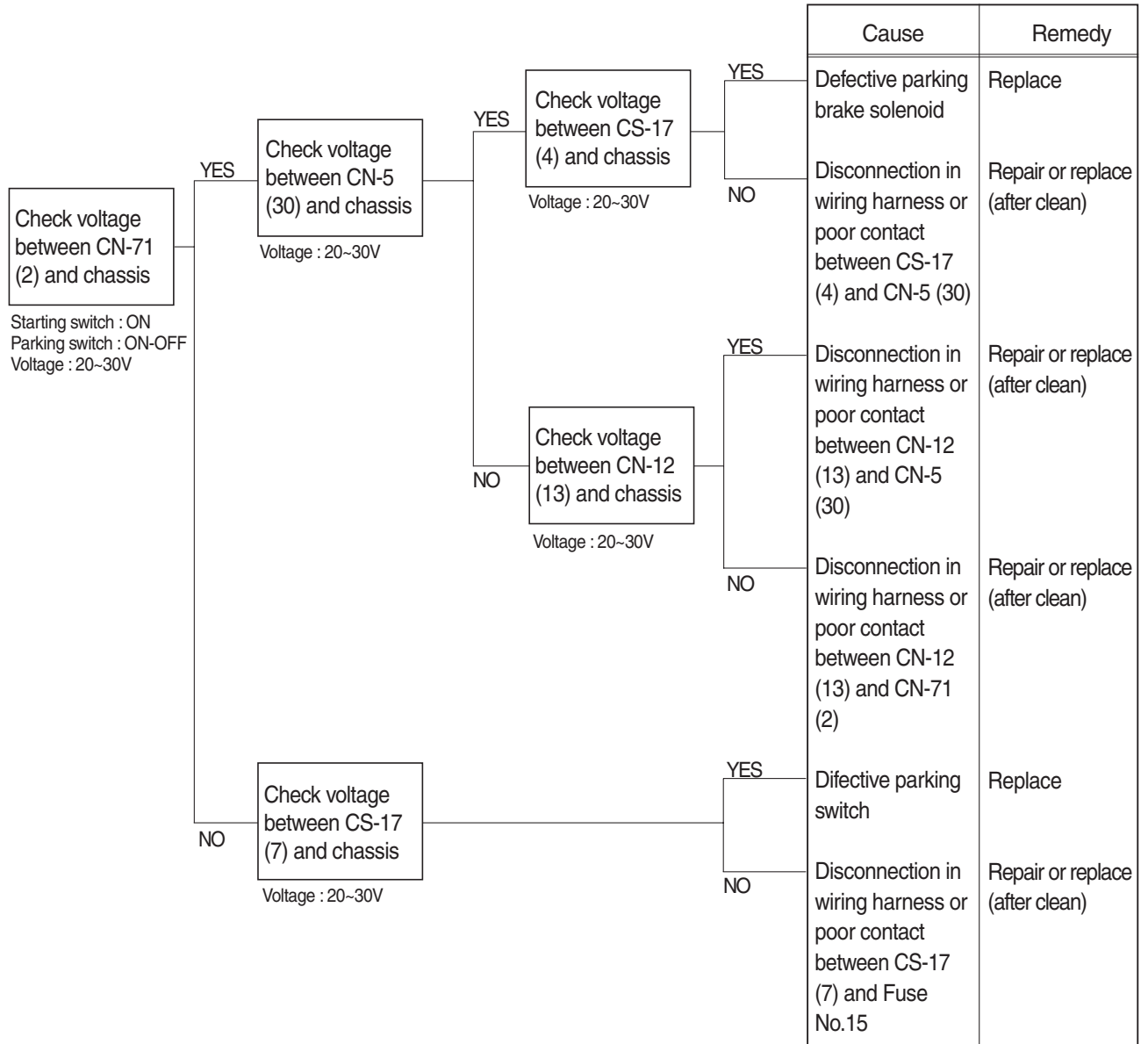
Check voltage

YES	20 ~ 30 V
NO	0 V

75797EL30

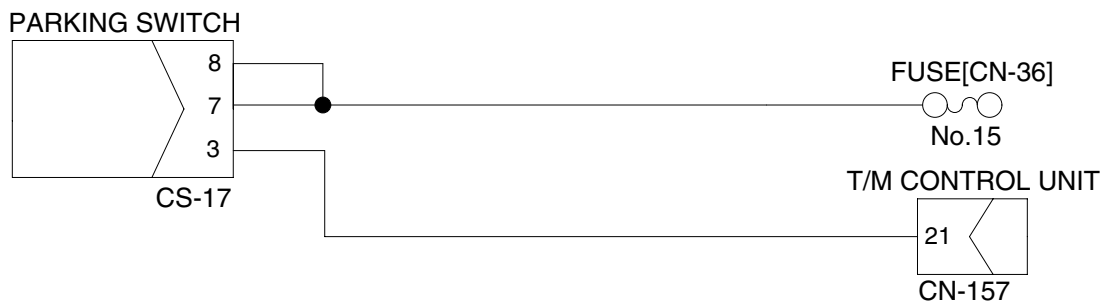
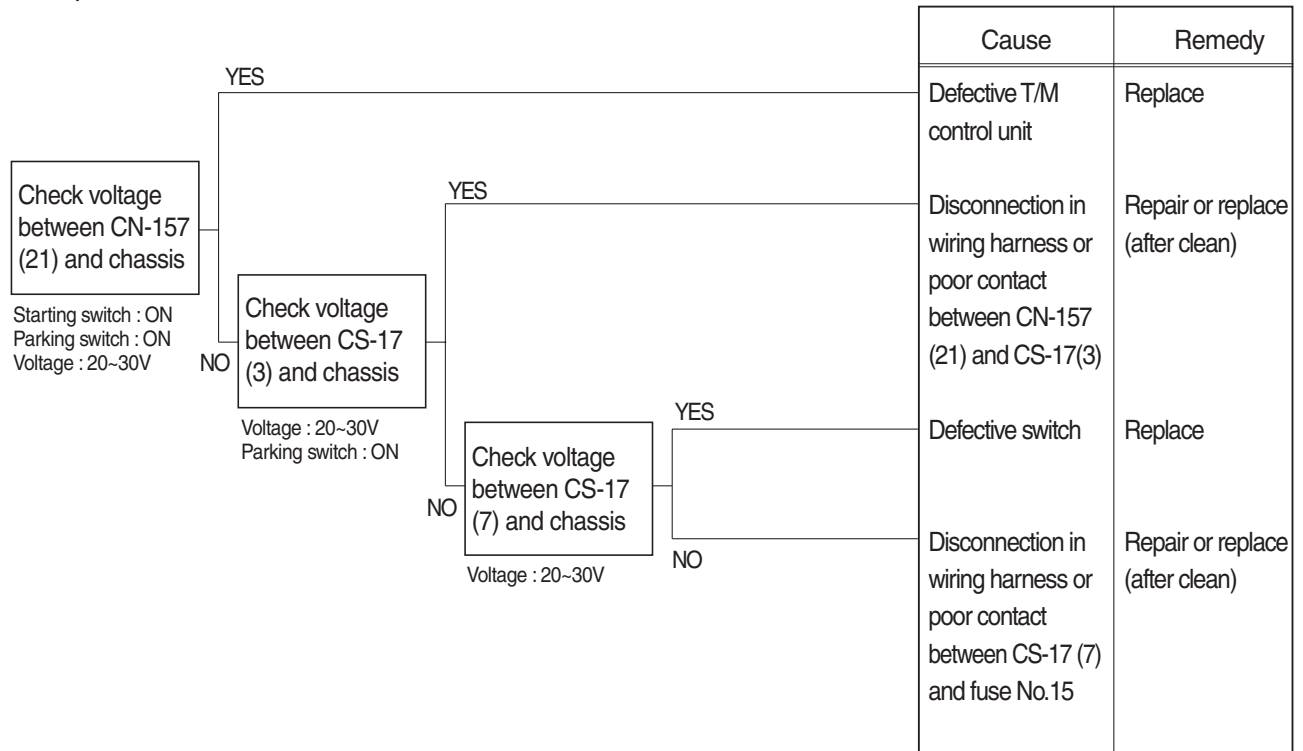
### 3. WHEN PARKING SOLENOID DOES NOT WORK

- Before carrying out below procedure, check all the related connectors are properly inserted and the fuse [CN-36] No.15 is not blown out.
- After checking, connect the disconnected connectors again immediately unless otherwise specified.



#### 4. TRANSMISSION IS NOT RETURNED TO NEUTRAL WHEN PARKING BRAKE IS APPLIED

- Before carrying out below procedure, check all the related connectors are properly inserted and the fuse [CN-37] No.15 (T/M control unit) and [CN-36] No.15 are not blown out.
- After checking, connect the disconnected connectors again immediately unless otherwise specified.



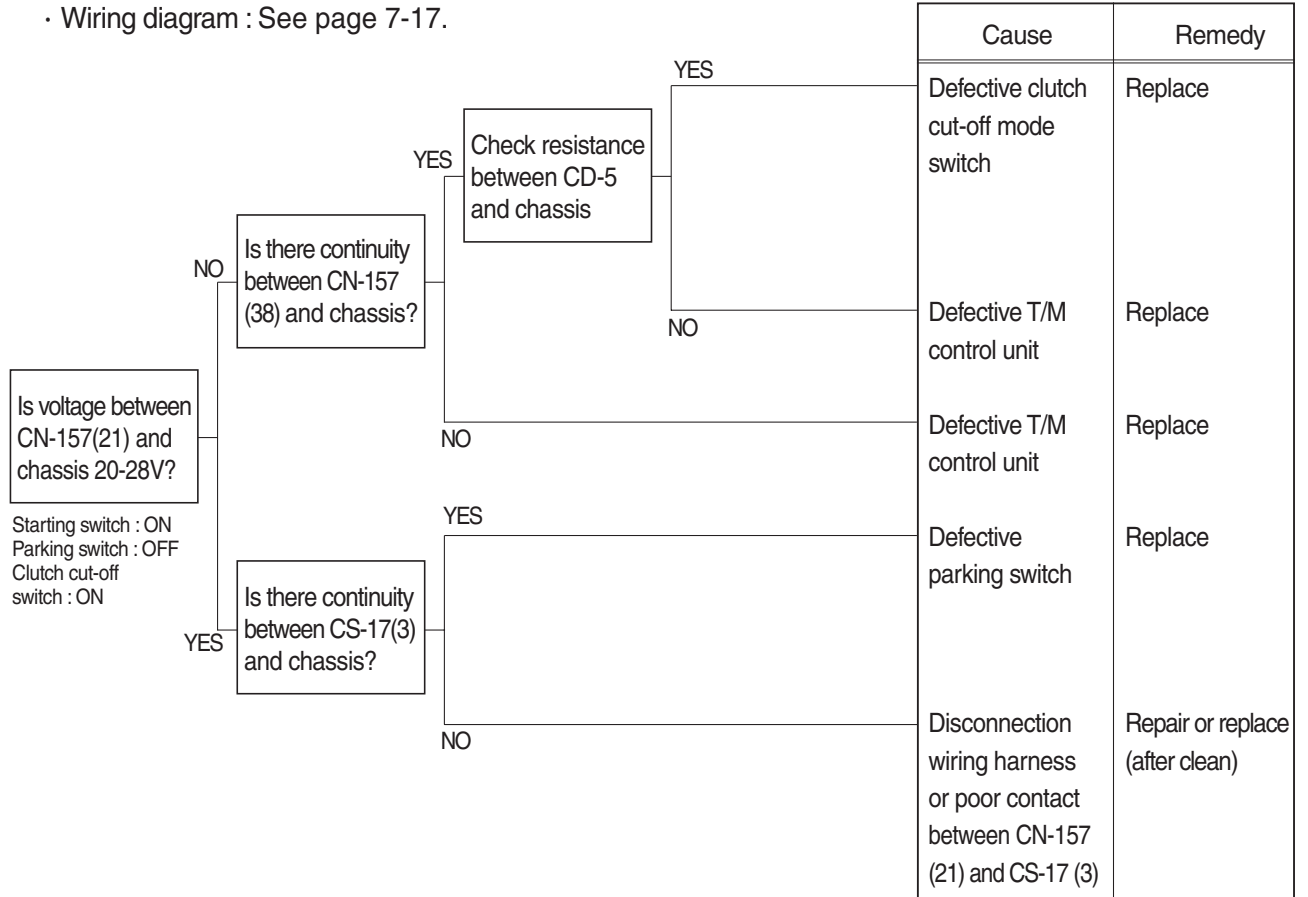
Check resistance

YES	MAX 1 Ω
NO	MIN 1M Ω

75797EL32

## 5. MACHINE DOES NOT TRAVEL

- Before carrying out below procedure, check all the related connectors are properly inserted and the fuse [CN-37] No.15 (transmission controller) is not blown out.
- After checking, connect the disconnected connectors again immediately unless otherwise specified.
- Wiring diagram : See page 7-17.

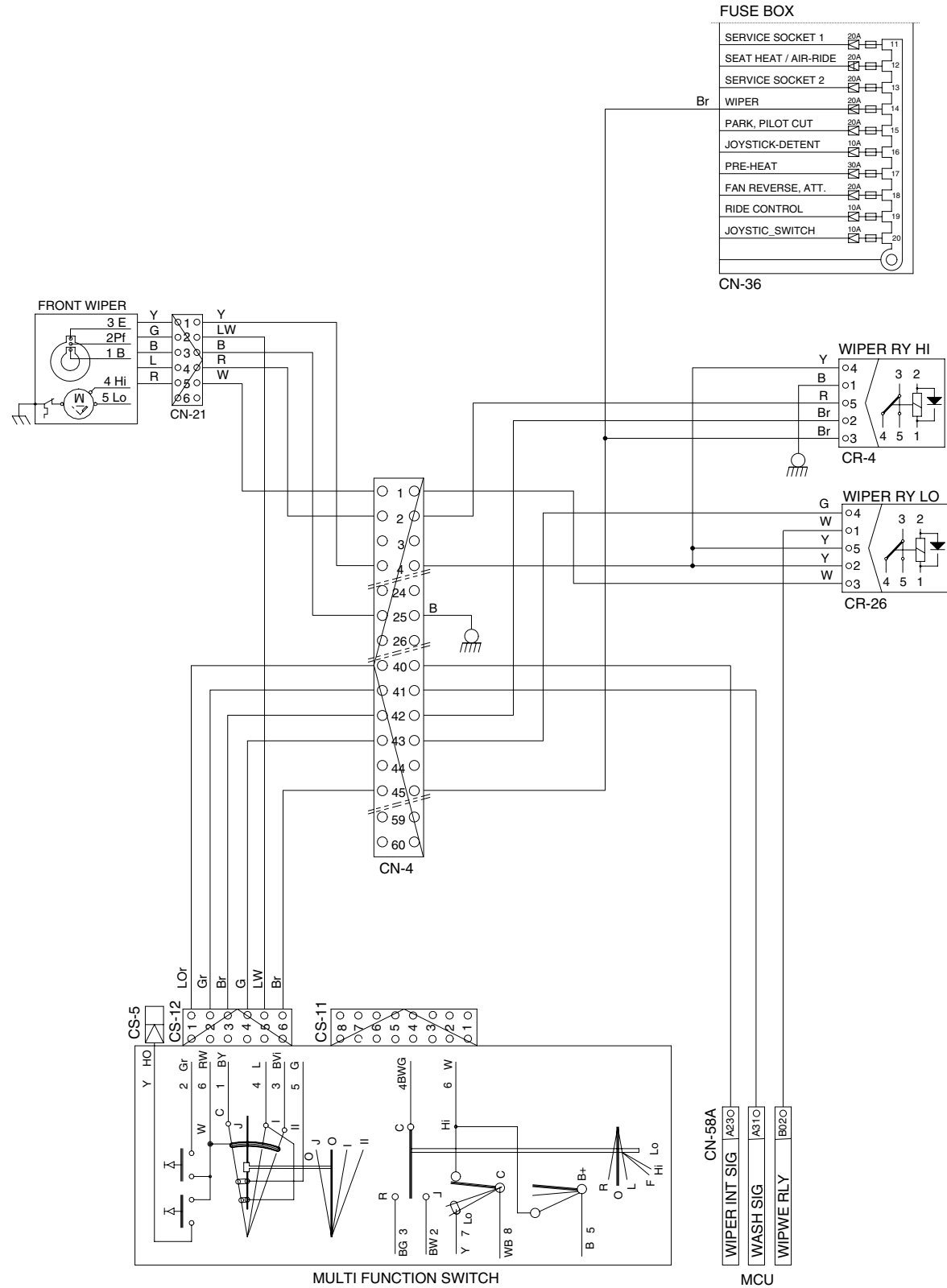
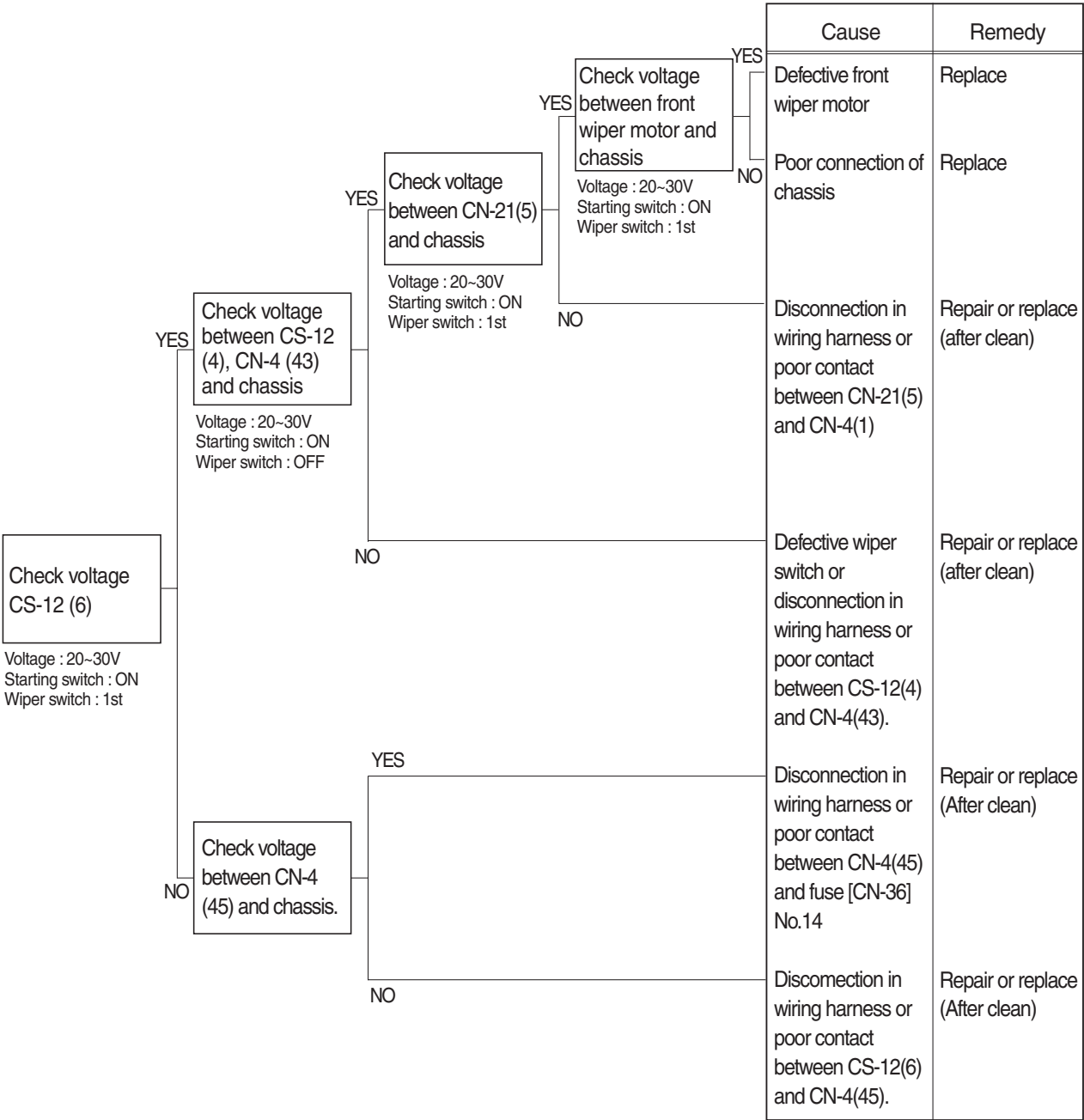


### Check resistance

YES	MAX 1 $\Omega$
NO	MIN 1M $\Omega$

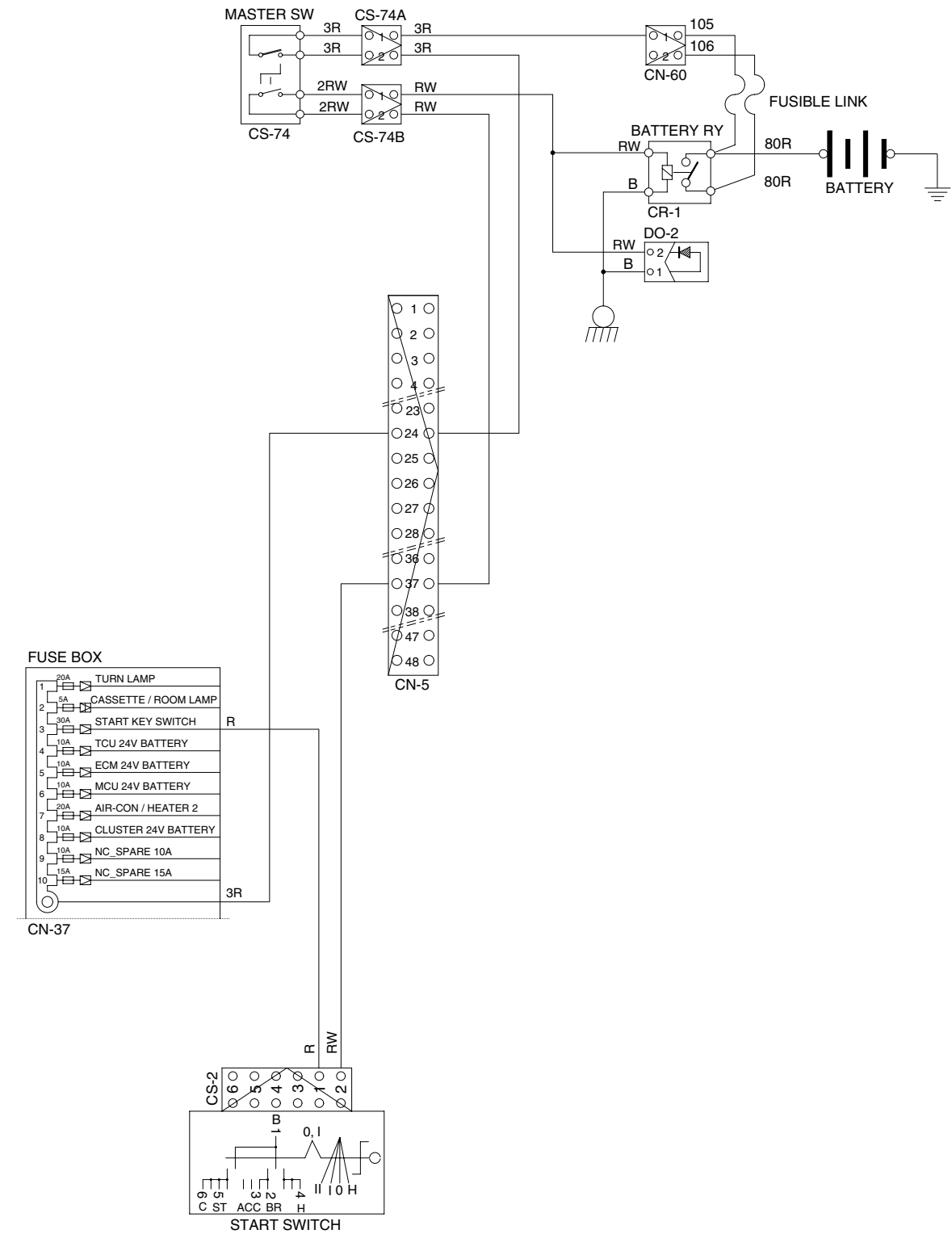
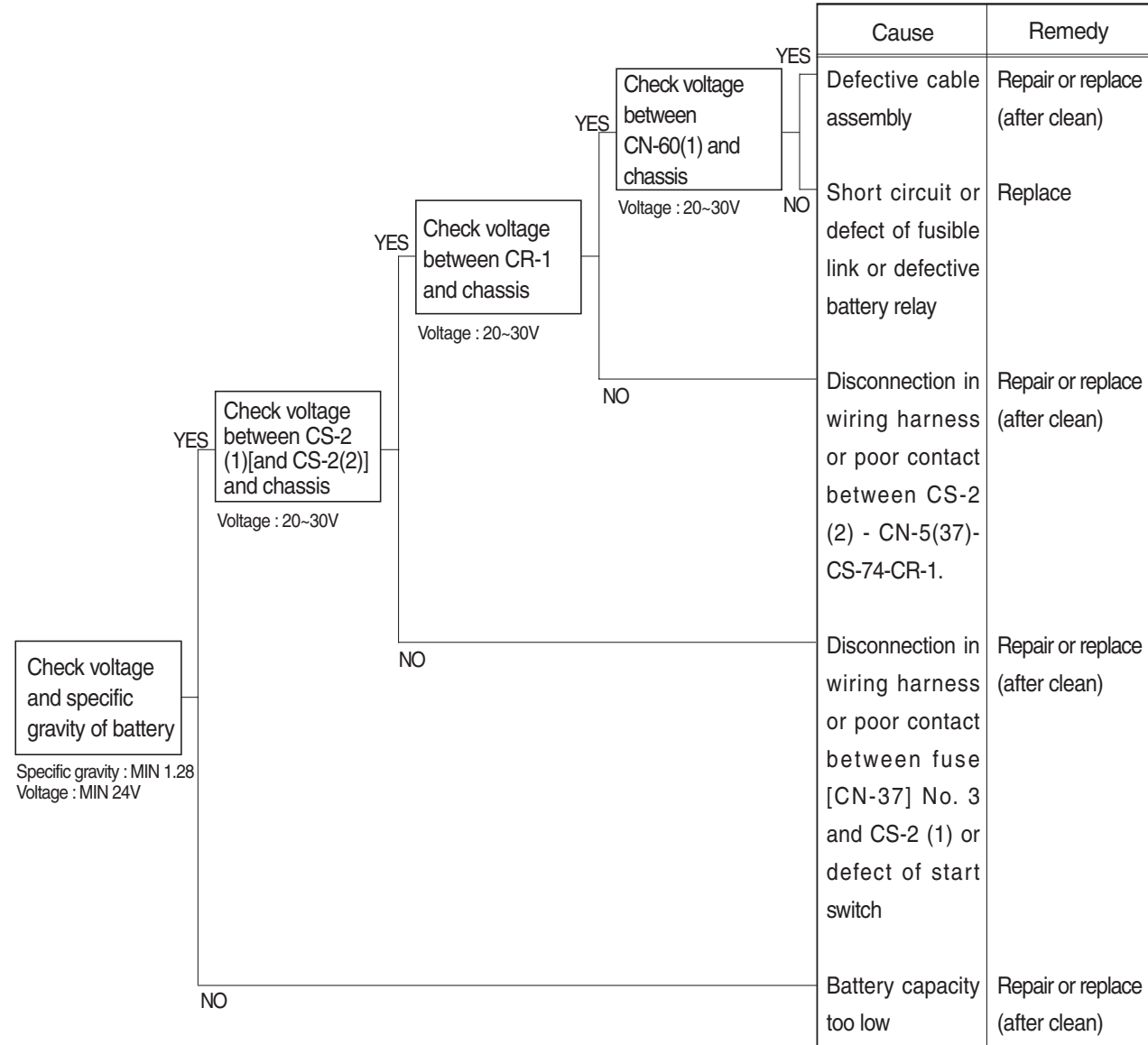
**6. WHEN STARTING SWITCH IS TURNED ON, WIPER MOTOR DOES NOT OPERATE**

- Before carrying out below procedure, check all the related connectors are properly inserted and the fuse [CN-36] No.14 is not blown out.
- After checking, connect the disconnected connectors again immediately unless otherwise specified.



## 7. WHEN STARTING SWITCH "ON" DOES NOT OPERATE

- Before carrying out below procedure, check all the related connectors are properly inserted and and the fuse No.16 is not blown out.
- After checking, connect the disconnected connectors again immediately unless otherwise specified.



## 8. WHEN STARTING SWITCH IS TURNED ON, WORK LAMP DOES NOT LIGHTS UP

- Before carrying out below procedure, check all the related connectors are properly inserted, and the fuse [CN-36] No.2, 3 is not blown out.
- After checking, connect the disconnected connectors again immediately unless otherwise specified.

