

## SECTION 7 ELECTRICAL SYSTEM

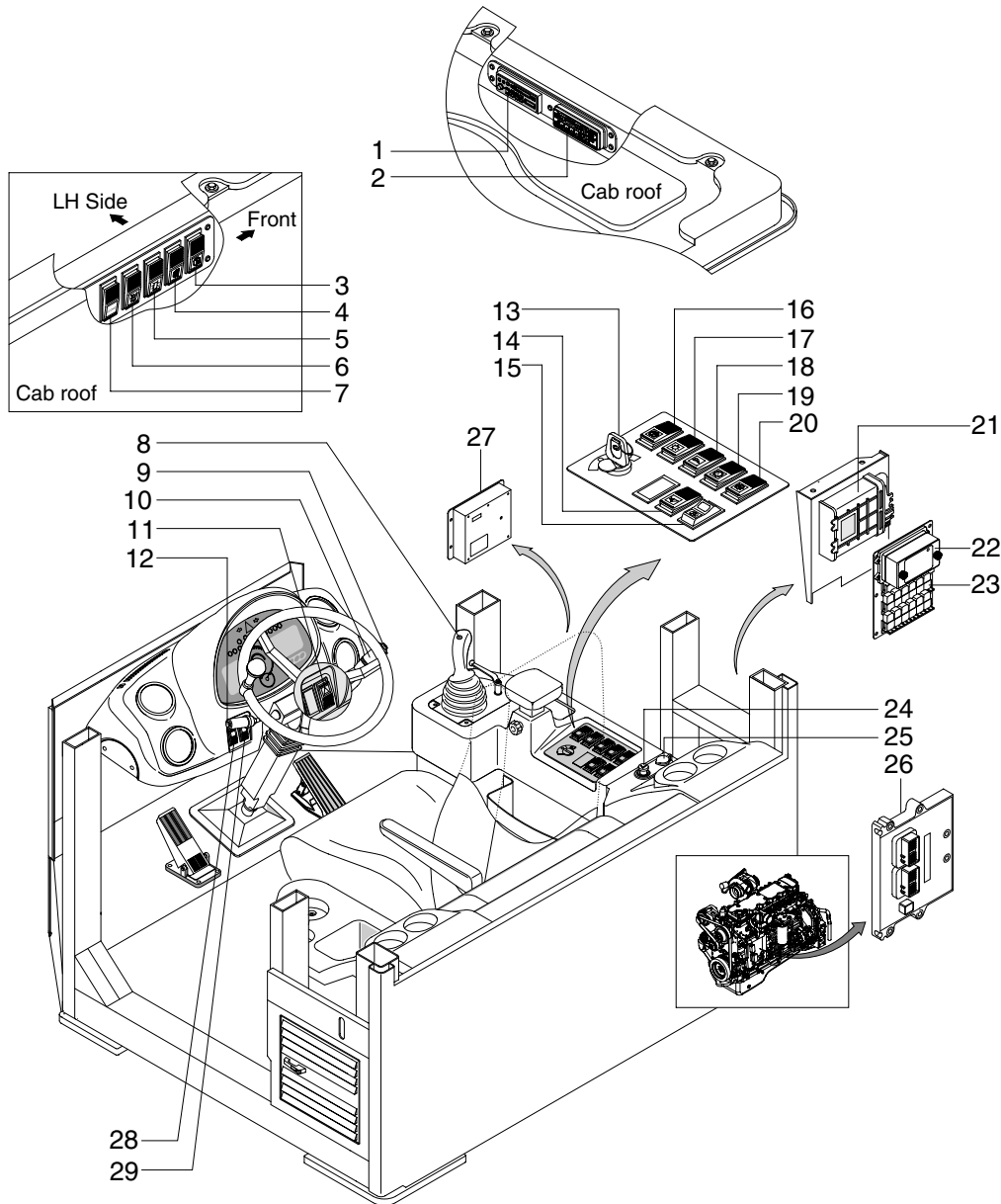
---

Group 1 Component Location .....	7-1
Group 2 Electrical Circuit .....	7-3
Group 3 Monitoring System .....	7-21
Group 4 Electrical Component Specification .....	7-38
Group 5 Connectors .....	7-45
Group 6 Troubleshooting .....	7-65

# SECTION 7 ELECTRICAL SYSTEM

## GROUP 1 COMPONENT LOCATION

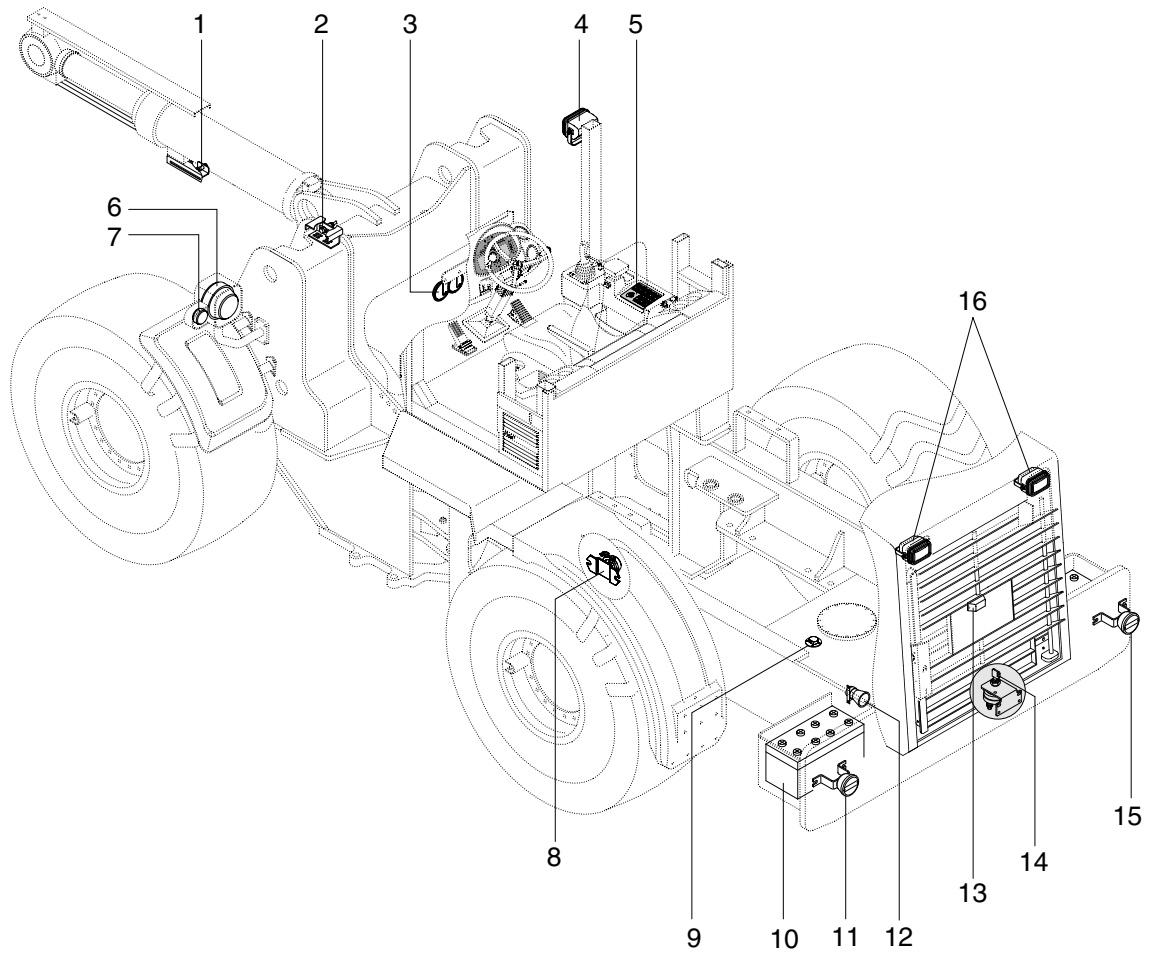
### 1. LOCATION 1



7577AEL02

- |   |   |    |                               |    |                                |
|---|---|----|-------------------------------|----|--------------------------------|
| 1 | Radio & cassette(STD)<br>Radio & CD player(OPT) | 10 | Multi function switch         | 20 | Clutch cut off switch          |
| 2 | Aircon & heater switch                          | 11 | Hazard switch                 | 21 | Transmission control unit(TCU) |
| 3 | Rear wiper/washer switch                        | 12 | Kick down switch              | 22 | Fuse box                       |
| 4 | Mirror defrost switch(Optional)                 | 13 | Starting switch               | 23 | Relay board                    |
| 5 | Beacon switch(Optional)                         | 14 | Ride control switch(Optional) | 24 | Cigar lighter                  |
| 6 | Heated seat switch(Optional)                    | 15 | Pump motor switch(Optional)   | 25 | 12V socket                     |
| 7 | ECONO switch                                    | 16 | Parking brake switch          | 26 | Engine control module(ECM)     |
| 8 | Kick down switch                                | 17 | Main light switch             | 27 | Machine control unit(MCU)      |
| 9 | Horn button                                     | 18 | Work lamp switch              | 28 | Attachment unlock switch       |
|   |   | 19 | Auto select switch            | 29 | Attachment lock switch         |

## 2. LOCATION 2



7707AEL02-1

- |   |                  |    |                 |    |                   |
|---|------------------|----|-----------------|----|-------------------|
| 1 | Proximity switch | 7  | Front turn lamp | 12 | Back up buzzer    |
| 2 | Proximity switch | 8  | Start relay     | 13 | Number plate lamp |
| 3 | Horn             | 9  | Fuel sender     | 14 | Master switch     |
| 4 | Work lamp        | 10 | Battery         | 15 | Rear combi lamp   |
| 5 | Switch panel     | 11 | Rear combi lamp | 16 | Work lamp         |
| 6 | Head lamp        |    |                 |    |                   |